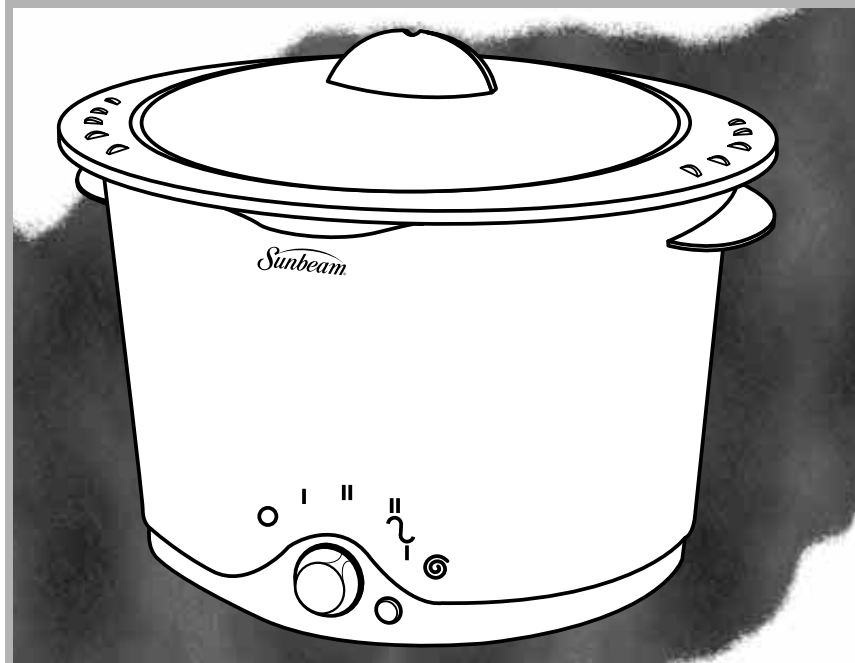


Sunbeam®



MODELS/MODELOS **2690 2691**
MODÈLES/MODELOS **2692 2693**

**Instruction Manual & Recipe Booklet
SUNBEAM® SLOW COOKER**

**Manuel d'Instructions et Livre de Ricettes
MIJOTEUSE SUNBEAM®**

**Manual de Instrucciones y Libro de Recetas
OLLA DE COCCIÓN LENTA SUNBEAM®**

**Manual de Instruções
PANELA DE COZIMENTO LENTO SUNBEAM®**

IMPORTANT SAFEGUARDS

When using electrical appliances, basic safety precautions should always be observed, including the following:

1. **READ ALL INSTRUCTIONS.**
2. Unplug cord from wall outlet when not in use and before cleaning. Allow to cool before putting on or taking off parts and before cleaning.
3. To protect against electrical shock, do not immerse cord, plug or base in water or other liquid.
4. Do not touch hot surfaces. Use handles or knobs.
5. Close supervision is necessary when any appliance is used by or near children.
6. Do not operate any appliance with a damaged cord or plug or after the appliance malfunctions, or is dropped or damaged in any manner. Return appliance to the nearest Sunbeam Appliance authorized service center for examination, repair or electrical or mechanical adjustment.
7. The use of attachments not recommended or sold by Sunbeam may cause fire, electrical shock or injury.
8. Do not use outdoors or for commercial purposes.
9. Do not let cord hang over edge of table or counter or touch hot surfaces, including the stove.
10. Do not place on or near a hot gas or electric burner, or in a heated oven.
11. Extreme caution must be used when using an appliance containing hot oil or other hot liquids.
12. To disconnect Slow Cooker, turn control to "OFF," then remove plug from wall outlet.
13. **CAUTION:** To prevent damage or shock hazard, do not cook in base. Cook only in removable crock.
14. Avoid sudden temperature changes, such as adding refrigerated foods into a heated pot.
15. Do not use appliance for other than the intended use.
16. Avoid contact with moving parts.

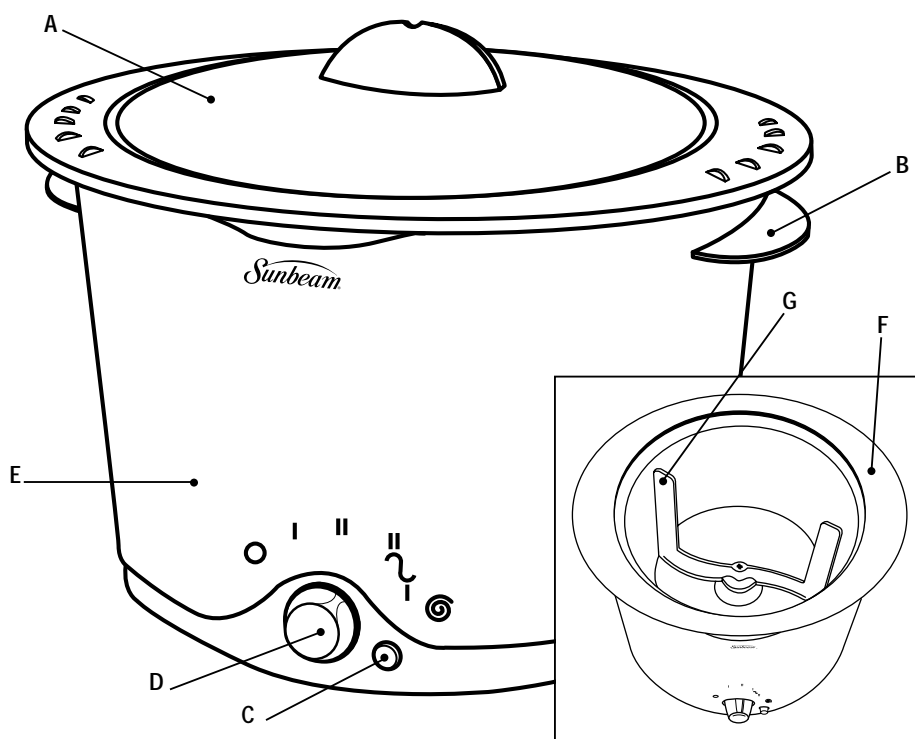
THIS UNIT IS FOR HOUSEHOLD USE ONLY

OR PRODUCTS PURCHASED IN THE U.S. AND CANADA ONLY

To reduce the risk of electrical shock, this appliance has a polarized plug (*one blade is wider than the other*). This plug fits a polarized outlet only one way; if the plug does not fit fully into the outlet, reverse the plug. If it still does not fit, contact a qualified electrician. Do not attempt to defeat this safety feature.

SAVE THESE INSTRUCTIONS

KNOW YOUR SLOW COOKER



- A. Lid
- B. Handles
- C. Stirring Button
(some models only)
- D. Control Knob
- E. Base
- F. Crock
- G. Self Stirring Paddle
(some models only)

FEATURES

PermaTherm™ Crock – Insulated cooking crock is removable, break-resistant and dishwasher safe. Lift crock out of base by gripping on side handles and pulling upward.

Control Knob – Adjust control knob to Low **I** or High **II** depending on the food being prepared and the desired cooking time. When not in use, the control knob should be turned to Off **○**.

Auto Low **⌘** (*Some Models Only*) – Cooks food on High setting then automatically shifts to the Low setting for the remainder of the cooking cycle.

Clear Lid – Fits neatly onto crock, retaining moisture and heat inside while allowing food to be visible from the outside. Lid is top-rack dishwasher safe.

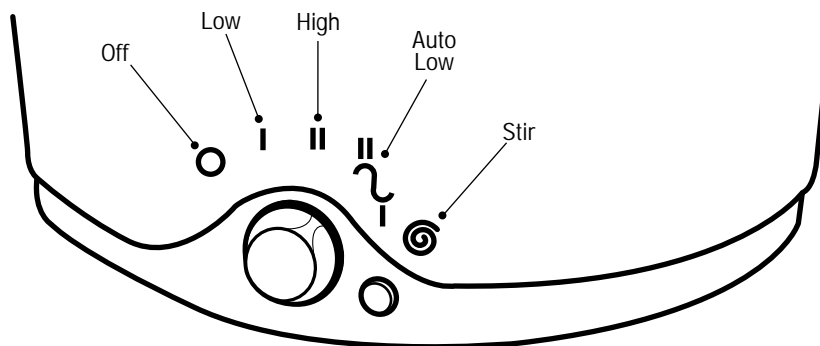
Wrap-Around Heating Element – Heating element wraps around entire crock, heating food evenly and thoroughly.

Stirring Paddle (*Some Models Only*) – Self-stirring paddle moves along the bottom and sides of the Slow Cooker crock, consistently blending food and spices for better tasting meals and easier clean-up. Paddle is removable and top-rack dishwasher safe.

Stirring Button **⊕** (*Some Models Only*) – Press button to activate stirring mechanism; press again to turn off the stirring mechanism.


USING YOUR SUNBEAM® SLOW COOKER

- Before first use, wash crock, lid and paddle (*Some Models Only*) thoroughly in hot, soapy water; rinse and dry. **NOTE:** Do not immerse the Slow Cooker base in water.
- Prepare recipe according to directions. Place in crock.
- Lower crock into Slow Cooker base. Handles of crock align with the handles of the base.
- Plug cord into 120 volt electrical outlet.
- Turn unit on by selecting Low, High or Auto Low. (*Some Models Only*)



Recipes will typically recommend Low or High; however, the setting can be adjusted based on the available cooking time. In general, Low is recommended for "all-day" cooking. One hour on High equals a little over two hours on Low. The Auto Low feature starts cooking on the High setting, then automatically shifts to the Low setting (*after one-and-a-half to two hours*) for the remainder of the cooking time.

NOTE: When using Auto Low, the control knob stays in the Auto Low position and does not move, even though the temperature is shifting from High to Low. Auto Low is ideal when the desired completion time is unknown.

- Place lid on top of crock during cooking unless otherwise specified in the recipe.
- If desired, activate self-stirring paddle by pressing Stirring Button (*Some Models Only*). If stirring is not desired, Paddle can be turned off or removed completely.
- Turn control to "OFF"  when cooking is complete.
- Remove food from crock, or use crock as a serving dish by lifting crock out of the base by the handles. The crock's PermaTherm™ material will help keep food hot, even after it has been removed from the Slow Cooker.
- The crock can be used to store food in the refrigerator. In fact, the crock's PermaTherm™ material allows you to go from the refrigerator to the Slow Cooker then back again without any harm to the Slow Cooker or crock.
- When Slow Cooker is not in use, be sure the Control Knob and the Stirring Paddle are turned off.

CLEANING YOUR SLOW COOKER

- Be sure Control Knob is turned to "OFF". Unplug cord from outlet.
- To wash Crock, Lid and Paddle, remove components from the base and wash in hot, soapy water or place in a dishwasher. If crock is difficult to clean, soak in warm water before washing.
- To clean the base of the Slow Cooker, wipe outer housing and liner with a damp cloth.
- Never use harsh abrasives or chemicals.
- Never immerse the base of the Slow Cooker in water or other liquids.

USING YOUR STIRRING PADDLE (SOME MODELS ONLY)

To activate the stirring paddle, press the stir button next to the control knob. After a few seconds, the paddle will begin rotating; the paddle will move in either a clockwise or counterclockwise direction. If the paddle is obstructed while rotating, the stirring will stop for a few seconds, then the paddle will automatically reverse and begin stirring in the opposite direction. The stirring paddle can be turned off or on any time before, during or after the cooking cycle. If stirring is not needed, the paddle can be turned off by pressing the button, or removed completely by grasping the center of the paddle and lifting up from the base.

SLOW COOKING TIPS

For best results, follow these guidelines when cooking with your Slow Cooker:

- Slow Cooker should be at least half filled for optimum results.
- Since the Slow Cooker is designed to cook over a prolonged period of time, cooking for an extra hour or so on the Low (or Auto Low) setting will not be detrimental to most recipes.
- Certain foods should not be cooked for a long time; for example, dairy products, pastas and rice should be added to the Slow Cooker during the last two hours of the cooking cycle.
- When cooking vegetables with meat, place vegetables on the bottom of the Slow Cooker.
- When cooking frozen foods, increase cooking time accordingly.
- When preparing meat, adding a small amount of water to Slow Cooker is recommended to keep the meat tender. The leaner the cut of meat, the more water is recommended. When using the Low setting, less liquid is needed since there is little evaporation.
- Large pieces of meat and vegetables will cook faster if cut into small pieces prior to cooking.
- If the recipe ends up with too much liquid, remove the lid and set the Slow Cooker on High until sufficient liquid has evaporated.
- While some recipes recommend browning meat prior to slow cooking, it is not necessary, although it may improve the color of the meat. If making a casserole with meat, lightly coating the meat in flour and browning it before adding to the Slow Cooker may help to seal in the juices.
- If a casserole needs to be thickened, set the Slow Cooker on high and mix in a thickening agent, such as flour and water; allow to simmer until thickened.
- For optimum results, the last ingredients to be added to the Slow Cooker should be liquids and sauces.

SUNBEAM SLOW COOKER RECIPES

SLOW SNACK

- 1/4 cup melted butter or margarine
- 1 tsp. garlic salt
- 1 tsp. celery salt
- 1/2 tsp. seasoned salt
- 1/2 tsp. pepper
- 2 Tbsp. grated parmesan cheese
- 3 cups pretzel sticks
- 1 cup salted peanuts
- 1/2 cup sunflower seeds
- 4 cups shredded wheat cereal
- 4 cups O-shaped oat cereal

In Slow Cooker crock, mix together pretzels, cereals, peanuts and seeds. Sprinkle with salts, pepper and cheese. Pour melted butter over all; toss until well mixed. Cover and cook in Slow Cooker on low for approximately 3-1/2 hours. Uncover and cook for another 30 to 40 minutes, with stirring paddle activated (for models without a stirring paddle, stir occasionally during the last 30 minutes). Serve as an appetizer or snack.

SERVES: SNACKS FOR PLENTY!

BEEF & BEANS

- 2 pounds stew meat, cut into 2-cm cubes
- 1 cup barbecue sauce
- 1 cup beef bouillon
- 1 pound dry lima beans, prepared and drained
- Salt and pepper

Sprinkle beef with salt and pepper. Place in Slow Cooker crock with barbecue sauce and bouillon. Cover and cook on low for approximately 5 hours. For enhanced flavor, activate stirring paddle or stir occasionally during beginning of cooking cycle. After 5-hour cooking cycle, add drained beans and cook on high for another 15 to 20 minutes.

SERVES: 6

CREAMY CHICKEN

1 cut-up frying chicken
2 Tbsp. melted butter or margarine
1 tsp. seasoned salt
1 can (10-3/4 ounces) condensed cream of mushroom soup, unprepared
3 ounces cream cheese, cut in cubes
1/2 cup sherry
1 Tbsp. chopped onion
salt and pepper

Wash chicken and pat dry. Brush with butter. Sprinkle with salt and pepper. Place in Slow Cooker crock. Sprinkle seasoned salt. Cover and cook on low for approximately 5-1/2 hours. About 45 minutes before serving, mix soup, cream cheese, sherry and onion in small sauce pan. Cook until smooth. Pour over chicken in crock. Activate stirring paddle, cover and cook 30 minutes on low (*for models without a stirring paddle, stir occasionally during the last 30 minutes*). Serve with rice.

SERVES: 4

BAKED BEANS BY WENDY

5 cups water
2-1/2 cups (1 pound) dry beans, rinsed and dried
1 Tbsp. canola oil
1 Tbsp. hickory seasoning
1-1/4 cups chopped onions
1 Tbsp. chopped chives
1/4 cup packed brown sugar
1-1/2 tsp. salt

Combine 4 cups of water and remaining ingredients, except the salt, in the crock. Cover and cook on high for 2 hours or until beans are tender. Add remaining cup of water and cook another 2 hours. Add salt and activate stirring paddle or stir occasionally during last 15 minutes of cooking cycle.

SERVES: 8

BEEF STEW

2 pounds beef stew meat cut into 2-cm cubes
1/2 cup flour
2 Tbsp. oil
1 bay leaf
1 Tbsp. Worcestershire sauce
1 medium onion, chopped
1 cup beef bouillon
1/4 tsp. pepper
2 tsp. salt
1 tsp. sugar
1 Tbsp. brown sugar
6 carrots, peeled and sliced
1 cup celery, sliced
4 potatoes, peeled and sliced
12 small white onions
2 medium turnips, peeled and quartered
4 cups water

Coat meat with 1/4 cup of flour. Set remaining flour aside. Heat oil in fry pan and brown meat in oil. Combine browned meat, bay leaf, Worcestershire sauce, chopped onion, bouillon, pepper, salt, sugar and vegetables in crock. Add enough water to cover all of the ingredients. Cover crock and cook on low for 8 to 10 hours. Thicken stew with remaining flour dissolved in a small amount of water, then cook on high for 10 to 15 minutes more or until stew is slightly thickened.

SWEET SQUASH

3 acorn squash
1/4 cup melted butter
1/2 cup brown sugar
1 cup raisins
1/3 cup flake coconut
salt and pepper

Cut squash in half; remove seeds. Wash and drain excess water but do not dry. Sprinkle with salt and pepper. Place in crock. Cover and cook on low for 3 to 5 hours or until tender. Remove from crock. Set (*cut side up*) on broiler pan and brush insides with melted butter. Mix brown sugar, raisins and coconut; spoon into squash. Bake in 400°F/205°C oven for about 15 minutes.

SERVES: 6

GREAT GREEN BEANS

1/4 pound salt pork	2 pounds fresh green beans
2 medium tomatoes	2 cups beef bouillon
1/2 tsp. salt	1/2 tsp. sugar
1/4 tsp. pepper	

Dice salt pork and spread over bottom of crock. Wash beans. Break each bean into 2 – 3 pieces and place over salt pork. Peel, seed and cube tomatoes; spoon over beans. Add bouillon with salt, sugar and pepper. Cover and cook on high for 3 to 4 hours or until beans are tender. Drain and serve hot.

SERVES: 8

TRACI'S TOMATO JUICE

10 large tomatoes	1 tsp. salt
1 tsp. seasoned salt	1/4 tsp. pepper
1 Tbsp. sugar	

Wash and drain tomatoes. Remove core and blossom ends. Place in crock. Cover and cook on low 4 to 6 hours or until tomatoes are done. Press through sieve or food mill. Add seasonings; chill.

SERVES: 6

BUTTERY PUNCH

3/4 cup brown sugar	4 cups water
1/4 tsp. salt	1/4 tsp. nutmeg
1/2 tsp. cinnamon	1/2 tsp. allspice
3/4 tsp. ground cloves	2 pounds cranberry sauce,
1 quart pineapple juice	broken into pieces
butter	cinnamon sticks

Combine sugar with water, salt, nutmeg, cinnamon, allspice and cloves. Add cranberry sauce and pineapple juice. Activate stirring paddle. *(For units without stirring paddle, stir occasionally for optimum flavor.)* Cover and heat on low for 3 to 4 hours. Serve hot in mugs decorated with cinnamon sticks and dotted with butter.

SERVES: 8

MINTY HOT COCOA

6 chocolate covered, cream-filled mint patties
5 cups milk
1/2 cup chocolate malted milk powder
1 tsp. vanilla
whipped cream

Combine mint patties with milk, malted milk powder and vanilla. Heat on low for 2 hours. Beat with MixMaster® Mixer until frothy. Pour into cups; top with whipped cream.

SERVES: 6

GINGER PORK

4-1/2 pounds pork roast
1 cup hot water
1/4 cup molasses
1/4 cup mustard
1/4 cup vinegar
1/4 cup orange marmalade
1/2 tsp. ground ginger
salt and pepper

Sprinkle pork roast with salt and pepper and place in crock. Pour hot water around roast. Cover and cook on low for 8 to 10 hours. Remove meat from pot. Place on broiler pan. Combine molasses, mustard, vinegar, marmalade and ginger. Brush over cooked pork. Brown in 400°F/205°C oven for 30 minutes, brushing several times with sauce.

SERVES: 6

CHINESE CHICKEN

3 pounds chicken parts
1/4 tsp. ground ginger
1 clove garlic, minced
1 cup chicken broth
8-1/2 oz. can of pineapple slices
4 oz. can water chestnuts, drained and sliced
4 green onions, sliced
1/4 cup cornstarch
1/4 cup soy sauce
1 Tbsp. vinegar
salt and pepper

Sprinkle chicken with salt and pepper and place in crock. Combine ginger, garlic, broth and pineapple juice. Quarter pineapple slices. Arrange pineapple and water chestnut slices over chicken. Pour ginger sauce over all. Cover and cook on low for 3 to 4 hours or until chicken is tender. Add green onions. Dissolve cornstarch in soy sauces and vinegar and add to crock. Activate stirring paddle. Cover and cook on high for 10 to 15 minutes or until slightly thickened. Serve with crisp Chinese noodles.

SERVES: 5

SLIM SANDY'S STEW

6 boneless, skinless chicken breasts, cut into bite-size pieces
3 tomatoes, cut into bite-size pieces
3 green peppers, cut into bite-size pieces
3 yellow onions, cut into bite-size pieces
6 garlic cloves, minced
1 large zucchini, cut into bite-size pieces
1 pound fresh mushrooms, sliced
10 oz. can condensed light cream of mushroom soup
salt and pepper

Place chicken, tomatoes, peppers, onions, garlic, zucchini and mushrooms in crock. Add salt and pepper. Cook on low for 6 hours. Add cream of mushroom soup. Activate stirring paddle and cook 10 to 15 minutes more (*for units without the stirring paddle, stir occasionally during last few minutes of cooking*). Serve over English muffins.

SERVES: 10-12

LASAGNA

3/4 lean ground beef	1/2 pound lean ground pork
1 small onion, chopped	1 garlic clove, minced
16 oz. can tomatoes, cut up	8 oz. can tomato sauce
1 beef bouillon cube, crushed	1 tsp. parsley flakes
2 tsp. sugar	1/2 tsp. salt
1/2 tsp. crushed basil	1 pint cottage cheese
1/2 cup grated parmesan cheese	1/2 tsp. crushed oregano
8 oz. lasagna noodles, cooked and drained	8 oz. mozzarella cheese, sliced

In large skillet, cook and stir beef, pork, onion and garlic. Drain off excess fat. Place in crock. Add tomatoes, tomato sauce, bouillon cube, parsley, sugar, 1/2 tsp. salt and basil to crock. Cover and cook on low for 6 to 8 hours. Mix cottage cheese, 1/4 cup Parmesan cheese, 1/2 tsp. salt and oregano in a separate container. In 9-in. x 13-in. pan, layer half the cooked noodles, sauce, mozzarella cheese and cottage cheese mixture; repeat, reserving enough sauce for layer on top. Sprinkle with remaining 1/4 cup Parmesan cheese. Bake in 350°F/175°C oven for 45 minutes.

SERVES: 8 – 10

MULLED CIDER

2 quarts apple cider	1/4 cup brown sugar
2 cinnamon sticks	1 tsp. whole cloves
1/8 tsp. ground ginger	1 orange, sliced and unpeeled

Combine ingredients in crock. Cover and heat on low for 2 to 6 hours. *(The shorter the cooking time, the more important to stir occasionally or utilize the stirring paddle for optimum flavor.)* Serve with ladle directly from crock.

SERVES: 10 – 12

SAUERKRAUT À LA VANDER

4 slices bacon, chopped	1 can sauerkraut (1-1/2 - 2 pound can)
1 head of cabbage, chopped	1 large onion, diced
1 Tbsp. butter	1 tsp. sugar
1/2 tsp. salt	1/8 tsp. pepper

In small skillet, cook bacon. In crock, combine sauerkraut, cabbage, onion, butter, sugar, salt and pepper. Pour cooked bacon *(with drippings)* over ingredients in crock. Cover and cook on low for 3 to 5 hours.

SERVES: 8

AUNTIE KIM'S POZOLE

4 pork steaks
14-1/2 oz. hominy, drained
1 small onion, chopped
4 oz. can diced green chili peppers, drained
1/2 tsp. chili powder
1 Tbsp. chives, chopped

Combine hominy with onion, chili peppers, chili powder and chives in bottom of crock. Trim fat from pork steaks and sprinkle with salt and pepper. Arrange pork steaks over hominy. Cover and cook on low for 4 to 6 hours.

SERVES: 4

GLAZED CARROTS

3 cups carrots, sliced
2 cups water
3 Tbsp. butter
3 Tbsp. orange marmalade
2 Tbsp. sliced almonds
1 tsp. salt

Combine carrots, water and salt in crock. Cover and cook on high 2 to 3 hours. Drain well. Add remaining ingredients. Cover and cook another 20 to 30 minutes, activating stirring paddle or stirring occasionally.

SERVES: 4 – 6

ROUND STEAK

2 pounds round steak
1-1/2 oz. onion soup mix
1/4 cup water
10 oz. can condensed cream of mushroom soup

Cut steak into 5 serving-size pieces. Place in crock. Add dry onion soup mix, water and cream of mushroom soup. Cover and cook on low for 6 to 8 hours. Serve over mashed potatoes.

SERVES: 5

SWEET POTATOES & SAUSAGE

6 medium yams	2 Tbsp. butter
2 Tbsp. milk	1 egg
1 tsp. salt	1/4 tsp. dried oregano
4 oz. smoky link sausage	

Wash yams; drain but do not dry. Place in crock. Cover and cook on low for 4 to 6 hours. Remove from crock and cut tops; scoop out centers and mash in large bowl. Add butter, milk, egg, salt and oregano; beat until smooth. Add sausage. Spoon entire mixture into yam skins. Bake in 400°F/205°C oven for 15 to 20 minutes.

SERVES: 6

SPAGHETTI SAUCE

1 pound lean ground beef	1 large onion, chopped
1 clove garlic, minced	2 pounds canned tomatoes, cut up
8 oz. can tomato sauce	12 oz. can tomato paste
1 cup beef boullion	2 Tbsp. parsley, minced
1 Tbsp. brown sugar	1 tsp. dried oregano
1 tsp. dried basil	1 tsp. salt
1/4 tsp. pepper	

In large fry pan, crumble meat with onion and garlic. Brown. Drain off excess fat. Combine in crock with remaining ingredients. Cover and cook on low for 6 to 8 hours. Use stirring paddle or stir occasionally to enhance flavor. Serve over hot spaghetti or other pasta.

SERVES: 6

BARBARA'S BRISKET

3 pounds lean beef brisket	1 tsp. salt
1/4 tsp. pepper	1 medium onion, chopped
1 stalk celery, chopped	1/2 cup chili sauce
1 can beer	

Place beef in crock. Add salt, pepper, onion, celery and chili sauce. Pour beer over all ingredients. Cover and cook on low for 8 to 10 hours or until tender. Remove beef from pot and slice. Skim fat off juices, and serve juices with meat.

SERVES: 4 - 6

SOUTHWESTERN SOUFFLÉ

1 pound can cream corn
4 oz. can chopped green chilies, drained
1 Tbsp. chives, chopped
16 oz. can tamales
1 pound can whole kernel corn, drained
1 small onion, finely chopped
4 eggs
1/2 cup grated cheddar cheese

In mixing bowl, combine cream corn and kernel corn, chilies, chives and onion. In a separate bowl, beat eggs until frothy; fold into corn mixture. Place mixture in crock and cook on high for 1 to 2 hours. Cut tamales in half and place on top of corn-egg mixture. Sprinkle with cheese. Cook another 1 to 2 hours. Serve directly from crock.

SERVES: 4 – 6

CITRUS TEA

6 cups boiling water
1 tsp. cinnamon
1 bottle Burgundy wine
3/4 cup sugar
6 whole cloves
1 lemon, sliced and unpeeled

Pour boiling water over tea bags in crock. Cover and let stand 5 minutes. Remove tea bags. Add sugar, honey, orange juice, pineapple juice and orange slices. Cover and heat on low for 2 to 3 hours. Activate stirring paddle or stir occasionally. Serve with ladle directly from crock.

SERVES: 10 – 12

SHERRY WARMER

1 bottle sherry
1 tsp. ground cardamom
6 cups orange juice

In crock, combine sherry with orange juice and cardamom. Cover and heat on low for 2 to 3 hours. Serve with ladle from crock.

CORNED BEEF

3-1/2 pounds corned beef brisket
2 garlic cloves, minced
1 head cabbage, sliced
1/2 cup onion, chopped
2 bay leaves
water

Place corned beef in crock and just cover with water. Add onion, garlic and bay leaves, cover and cook on low for 10 to 12 hours. Turn control to high and add cabbage slices into broth. Cover and cook 20 to 30 minutes more.

SERVES 6 – 8

GOULASH

2 pounds beef stew meat, cut into bite-size pieces
1 large onion, sliced
1 garlic clove, minced
1/2 cup catsup
2 Tbsp. Worcestershire sauce
1 Tbsp. brown sugar
2 tsp. salt
2 tsp. paprika
1/2 tsp. dry mustard
1 cup water
1/4 cup flour

Place meat in crock and cover with sliced onion. Combine garlic, catsup, Worcestershire sauce, sugar, salt, paprika and mustard with water. Pour over meat. Cover and cook on low for 9 to 10 hours. Turn control to high. Dissolve flour in small amount of cold water and add to meat mixture. Cook on high another 10 to 15 minutes or until slightly thickened.

SERVES: 4 – 6

MARCO'S MEXICAN RIBS

3-1/2 pounds beef short ribs
10-1/2 oz. beef consommé
1-1/4 oz. package taco seasoning mix
1/4 cup green pepper, chopped

In large fry pan, brown short ribs. Pour off excess fat and place in crock. Mix beef consommé with dry taco mix and add green pepper. Pour sauce over ribs. Cover and cook on low for 6 to 8 hours.

SERVES: 4 – 6

KRISTEN'S COCKTAIL

1 pint cranberry juice
1 cup water
3/4 cup sugar
1 tsp. cinnamon
6 whole cloves
1 bottle Burgundy wine
1 lemon, sliced and unpeeled

Combine ingredients in crock. Heat on low for 1 to 2 hours. Serve with ladle directly from crock.

SERVES: 10 – 12

DANA'S PEACHY OATMEAL

2 cups oatmeal
2/3 cup oat bran
32 oz. can unsweetened peaches with own juice
ice cubes
water
milk
sugar

Combine oatmeal, oat bran and peaches in crock. Add enough ice cubes to almost fill crock, then add enough water to almost fill the crock to keep oatmeal from becoming sticky. Cover and cook on low for 8 hours. Serve warm with milk and sugar.

SERVINGS: 4

POT ROAST

2-1/2 pound boneless beef chuck roast
1 package dry onion soup mix
10 oz. can condensed cream of mushroom soup

Place roast in crock. Sprinkle roast with onion soup mix and cover with cream of mushroom soup. Cook on low for 8 hours. Serve sliced over cooked noodles.

DOGGONE DONNY'S DOGS

- 1 – 2 large packages mini hot dogs
- 2 12-oz. bottles (4 cups) barbecue sauce
- 1 8-oz. bottle (1 cup) catsup
- 1 Tbsp. honey
- 1 Tbsp. Tabasco® sauce

Place barbecue sauce, catsup, honey and Tabasco® sauce in slow cooker. Activate stirring paddle. *(For models without a stirring paddle, mix ingredients together.)* Add mini-dogs. Cover and cook on high for approximately 2 hours. Serve as an appetizer or snack.

SERVES: SNACKS FOR PLENTY!

STEVE'S STROGANOFF

- 1-1/2 pounds lean ground beef
- 1 small onion, chopped
- 2 Tbsp. flour
- 1/4 tsp. paprika
- 1 tsp. salt
- 10 oz. can cream of mushroom soup, condensed
- 2 Tbsp. dry red wine
- 1 cup sour cream

In a skillet, brown beef and drain. Place in slow cooker with onion, flour, paprika and salt. Add soup and wine. Cover and cook on low 4 to 5 hours. Add sour cream. Activate stirring paddle and cook another 15 minutes. Serve with egg noodles.

SERVINGS: 4 – 6

BAD BILLY'S BARBECUE

- 1 cup catsup
- 1 Tbsp. Worcestershire sauce
- 2 drops hot pepper sauce
- 1 cup water
- 1/4 cup vinegar
- 1 Tbsp. brown sugar
- 1 tsp. minced onion

Combine all ingredients in slow cooker. Activate stirring paddle. *(For units without a stirring paddle, stir occasionally.)* Cover and cook on low 2 to 3 hours. Ideal for ribs, chicken, chops, etc.

SERVES: SAUCE FOR 6 – 8 SERVINGS

CRAZY CARL'S CLAM DIP

- 6 8-oz. packages cream cheese, cut into 1 oz. pieces
- 4 7-oz. cans minced clams, with juice
- 1 cup green onions, chopped
- 2 tsp. horseradish
- 4 tsp. Worcestershire sauce
- 1/2 cup milk, if needed

Place ingredients into Slow Cooker. Activate stirring paddle. Cook on high for 30 minutes. *(For units without stirring paddle, stir occasionally with a spoon during this first half hour.)* Add milk sparingly if needed for proper dipping consistency. Cover, turn on low setting and cook another 3 to 4 hours. Serve hot with crackers.

SERVINGS: SNACKS FOR PLENTY!

2-YEAR LIMITED WARRANTY

Sunbeam Products Inc. warrants to the original purchaser, subject to the limitations and exclusions set forth below, that this product shall be free, in all material respects, of mechanical and electrical defects in material and workmanship from the date of purchase for two years. This warranty does not cover normal wear of parts or damage resulting from any of the following: negligent use or misuse of the product, use on improper voltage or current, use contrary to operating instructions or disassembly, repair or alteration by any person other than an authorized service center.

Our obligation hereunder is limited to repair or replacement with a new or refurbished unit of the same or a similar model of as good or better quality, at manufacturer's option, of the product during the warranty period, provided that the product, along with the model number and original dated proof of purchase, is sent postage prepaid, directly to the following address:

For products purchased in the United States:

SUNBEAM APPLIANCE SERVICE STATION
Attention: Service Department
117 Central Industrial Row
Purvis, MS 39475

For products purchased in Canada:

SUNBEAM CANADA CORP., LTD.
c/o Service Tek
Please call 1-800-667-8623 or email us at
consumeraffairs@consumer.sunbeam.com

Do not return this product to the place of purchase or to the manufacturer; doing so may delay the processing of your warranty claim.

Answers to questions regarding this warranty or for your nearest authorized service location may be obtained by calling toll-free 1-800-597-5978 or by writing to Sunbeam – Consumer Affairs, at P.O. Box 948389, Maitland, FL 32794-8389. Answers to questions regarding this warranty or for your nearest Canadian authorized service location may be obtained by calling toll-free in Canada 1-800-667-8623. For warranty information or for an authorized service location outside of the United States and Canada, please see the warranty service card inserted in the product packaging.

DISCLAIMER

Product repair or replacement as provided under this warranty is your exclusive remedy. **SUNBEAM PRODUCTS, INC. SHALL NOT BE LIABLE FOR ANY INCIDENTAL OR CONSEQUENTIAL DAMAGES FOR BREACH OF ANY EXPRESS OR IMPLIED WARRANTY ON THIS PRODUCT OR ANY PART THEREOF. EXCEPT TO THE EXTENT PROHIBITED BY APPLICABLE LAW, SUNBEAM PRODUCTS, INC. DISCLAIMS ANY IMPLIED WARRANTY OF MERCHANTABILITY OR FITNESS FOR A PARTICULAR PURPOSE OF THIS PRODUCT OR ANY PART THEREOF.** Some states and provinces do not allow the exclusion or limitation of incidental or consequential damages, or allow limitations on how long an implied warranty lasts, so the above limitations or exclusions may not apply to you. This warranty gives you specific legal rights, and you may also have other rights, which vary from State to State or Province to Province.

PRÉCAUTIONS IMPORTANTES

Il est important d'observer un certain nombre de règles de sécurité élémentaires pendant l'utilisation de tout appareil électrique:

1. **LISEZ TOUTES LES DIRECTIVES.**
2. Débrancher l'appareil lorsqu'il n'est pas utilisé, laissez refroidir avant d'y placer ou y retirer des pièces et avant de le nettoyer.
3. Pour vous protéger des risques d'électrocution, ne plongez jamais le cordon, ou la base dans l'eau ou tout autre liquide.
4. Éviter de toucher les surfaces chaudes. Utiliser les manivelles ou les interrupteurs.
5. Faites particulièrement attention lorsque l'appareil est utilisé par, ou en présence d'enfants.
6. Ne pas faire fonctionner un appareil dont le fil ou la fiche est endommagé ou après que l'appareil ait mal fonctionné, qu'il ait été échappé ou endommagé d'une façon quelconque. Retourner l'appareil au Centre de Service Autorisé Sunbeam le plus près aux fins d'inspection, de réparation, de réglage électrique ou mécanique.
7. L'utilisation d'accessoires non conseillés ou vendus par Sunbeam présente des risques d'incendie, d'électrocution ou de blessure.
8. Ne pas l'utiliser à l'extérieur. Cet appareil est conçu pour usage domestique seulement
9. Ne pas laisser le fil pendre de la table ou d'un comptoir et éviter qu'il touche à une surface chaude.
10. Ne pas placer sur ou près d'un poêle chaud ou dans un four chaud.
11. Déplacer un appareil électroménager contenant de l'huile bouillante ou tout autre liquide chaud en faisant preuve de la plus grande prudence.
12. Pour débrancher la mijoteuse, placer le bouton en position «ARRÊT» et extraire la fiche de la prise murale.
13. **ATTENTION:** Pour écarter tout risque de dommages ou d'électrocution, ne pas cuisiner directement dans la cuve. Cuire uniquement dans le récipient amovible.
14. Éviter les changements brusques de température, comme l'introduction d'aliments réfrigérés dans une casserole chaude.
15. Ne pas faire de cet appareil un usage autre que ce celui pour lequel il a été conçu.
16. Éviter tout contact avec les pièces en mouvement.

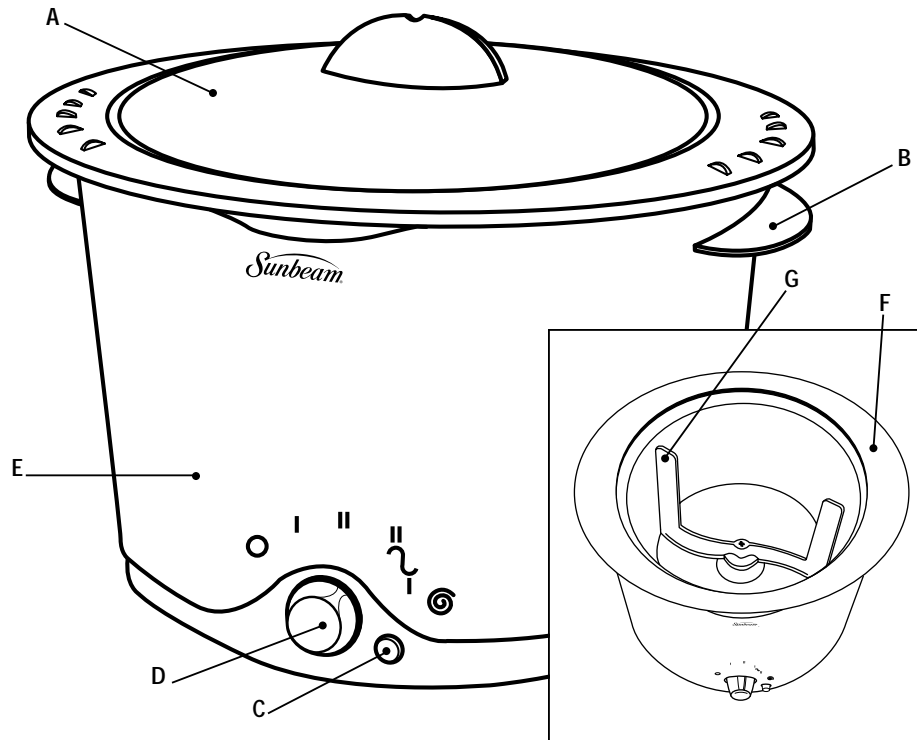
CET APPAREIL EST POUR USAGE DOMESTIQUE SEULEMENT

POUR PRODUITS ACHETÉS AUX ÉTATS-UNIS ET AU CANADA UNIQUEMENT

Pour réduire le risque de choc électrique, cet appareil est doté d'une fiche polarisée (une broche est plus large que l'autre). Cette fiche ne va que dans un sens seulement sur une prise de courant polarisée. Si la fiche ne s'enfonce pas complètement dans la prise, la retourne et essayer de nouveau. Si elle ne s'adapte toujours pas à fond, consulter un électricien qualifié. Veuillez à respecter les mesures de sécurité de la prise polarisée.

CONSERVER CES INSTRUCTIONS

DESCRIPTION DE LA MIJOTEUSE



- | | | |
|---|-----------------------|--|
| A. Couvercle | D. Bouton de Commande | F. Récipient de Cuisson |
| B. Poignées | E. Cuve | G. Palette Automatique
(sur certains modèles
uniquement) |
| C. Commande de la Palette
(sur certains modèles
uniquement) | | |

CARACTÉRISTIQUES

Récipient en PermaTherm™ – Le récipient de cuisson isolé est amovible, incassable et lavable au lave-vaisselle. Pour sortir le récipient de la cuve, le soulever par les poignées.

Bouton de Commande – Placer le bouton de commande en position de Basse **○** ou Haute **||** température en fonction des aliments à cuisiner et de la durée de cuisson désirée. Lorsque la mijoteuse n'est pas utilisée, veiller à ce que ce bouton soit en position d'arrêt **○**.

Feu Doux Automatique **○** (*sur certains modèles uniquement*) – Assure une cuisson à haute température puis passe automatiquement en réglage bas pour le reste du cycle de cuisson.

Couvercle Transparent – Bien ajusté au récipient, il conserve l'humidité et la chaleur à l'intérieur tout en gardant les aliments visibles depuis l'extérieur. Le couvercle est lavable dans le panier supérieur du lave-vaisselle.

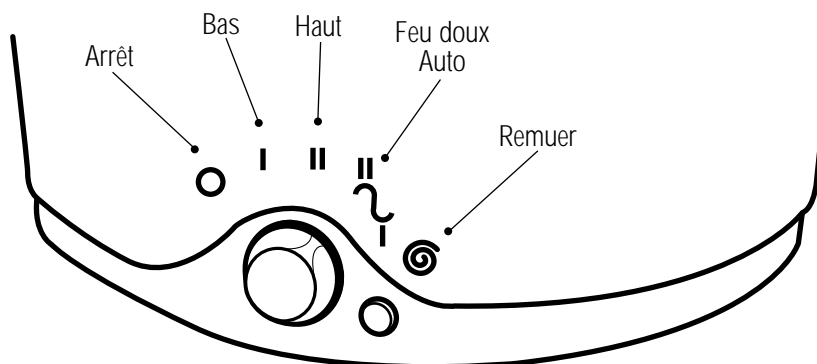
Élément Chauffant Enveloppant – L'élément chauffant enveloppe le récipient entier pour assurer un chauffage uniforme et total. 

Palette (*sur certains modèles uniquement*) – La palette agitatrice automatique se déplace le long du fond et des parois du récipient de la mijoteuse et remue en permanence les aliments et leurs assaisonnements, pour offrir des plats savoureux et un nettoyage plus facile. La palette est amovible et lavable dans le panier supérieur du lave-vaisselle.

Commande de la Palette **⊗** (*sur certains modèles uniquement*) – Appuyer sur ce bouton pour mettre la palette en marche; appuyer une nouvelle fois pour l'arrêter.

UTILISATION DE LA MIJOTEUSE SUNBEAM®

- Avant d'utiliser la mijoteuse pour la première fois, bien laver le récipient de cuisson, le couvercle et la palette (*sur certains modèles*) à l'eau chaude savonneuse; rincer et sécher. **REMARQUE:** Ne pas immerger la cuve de la mijoteuse dans l'eau.
- Préparer la recette conformément aux instructions. Placer les aliments dans le récipient.
- Introduire le récipient de cuisson dans la cuve. Les poignées du récipient s'alignent avec celles de la cuve.
- Brancher le cordon d'alimentation sur une prise électrique 120 V.
- Mettre l'appareil en marche en le réglant sur Bas, Haut ou Feux doux Auto. (*sur certains modèles*)



Les recettes précisent habituellement le réglage de température; celui-ci peut toutefois être modifié en fonction de la durée disponible pour la cuisson. En général, le réglage Bas est conseillé pour les plats mijotés «toute la journée». Une heure à haute température est équivalente à un peu plus de deux heures à basse température. La fonction Feu doux Auto démarre la cuisson à haute température puis passe automatiquement en réglage bas (au bout de une heure et demi ou deux heures) pour le reste du temps de cuisson.

REMARQUE: Lors de l'utilisation de la fonction Feux doux Auto, le bouton de commande reste en position Feux doux Auto, bien que la température passe du réglage haut au réglage bas. La fonction Feux doux Auto est idéale pour les plats dont la durée de cuisson n'est pas connue à l'avance.

- Sauf indication contraire dans la recette, poser le couvercle sur le récipient durant la cuisson.
- Selon le cas, il est possible d'activer la palette automatique en appuyant sur le bouton de commande de la palette (*sur certains modèles uniquement*). Si la palette n'est pas jugée nécessaire, elle peut être arrêtée ou sortie du récipient.
- Lorsque la cuisson est terminée, mettre le bouton de commande en position «ARRÊT».
- Sortir les aliments du récipient ou utiliser le récipient pour le service après l'avoir sorti de la mijoteuse en le soulevant par ses poignées. Le récipient est en PermaTherm™, un matériau qui permet de garder les aliments au chaud même hors de la cuve de la mijoteuse.
- Le récipient peut être utilisé pour conserver des aliments au réfrigérateur. En fait, le PermaTherm™ permet de faire passer le récipient du réfrigérateur à la mijoteuse puis de le remettre au réfrigérateur, sans risque pour la mijoteuse ni pour le récipient.
- Lorsque la mijoteuse n'est pas utilisée, veiller à ce que le bouton de commande et la palette automatique soient arrêtés.

NETTOYAGE DE LA MIJOTEUSE

- Veiller à ce que le bouton de commande soit en position «ARRÊT». Débrancher le cordon de la prise de courant.
- Pour nettoyer le récipient, le couvercle et la palette, les sortir de la cuve et les laver à l'eau chaude savonneuse ou les mettre au lave-vaisselle. Si le récipient est difficile à nettoyer, le faire tremper dans l'eau chaude savonneuse avant de le laver.
- Pour nettoyer la cuve de la mijoteuse, essuyer l'enveloppe extérieure et le revêtement intérieur avec un chiffon humide.
- Ne jamais utiliser de produits chimiques ou fortement abrasifs.
- Ne jamais immerger la cuve de la mijoteuse dans l'eau, ni dans aucun autre liquide.

UTILISATION DE LA PALETTE (SUR CERTAINS MODÈLES UNIQUEMENT)

Pour activer la palette agitatrice, appuyer sur le bouton de commande de la palette. La palette commence à tourner au bout de quelques secondes; elle tourne soit dans le sens des aiguilles d'une montre, soit dans le sens contraire. En cas d'obstacle au mouvement de la palette, celle-ci s'immobilise durant quelques secondes, puis elle repart automatiquement en sens inverse afin de remuer dans l'autre sens. La palette peut être arrêtée ou mise en marche à n'importe quel moment avant, pendant et après la cuisson. Si la palette n'est pas jugée nécessaire, elle peut être arrêtée, en appuyant sur le bouton, ou sortie du récipient en la saisissant par le milieu des pales et en la soulevant hors de la cuve.

CONSEILS PRATIQUES

Les indications suivantes permettent d'obtenir des résultats optimum lors de la cuisine à la mijoteuse.

- La mijoteuse doit être remplie à moitié au moins de sa capacité.
- Dans la mesure où la mijoteuse est conçue pour des durées de cuisson importantes, la majorité des recettes s'accommodent bien d'une heure de cuisson supplémentaire à basse température (ou Feu doux Auto).
- Certains aliments ne doivent pas faire l'objet d'une cuisson prolongée; les produits laitiers, les pâtes ou le riz, par exemple, seront placés dans la mijoteuse au cours des deux dernières heures du cycle de cuisson.
- Lorsque des légumes sont cuits en même temps qu'une viande, placer les légumes au fond de la mijoteuse.
- Pour la cuisson d'aliments surgelés, augmenter la durée de cuisson autant que nécessaire.
- Lors de la préparation de viandes, il est conseillé de verser une petite quantité d'eau dans la mijoteuse pour que la viande reste tendre. Il est conseillé d'ajouter d'autant plus d'eau que le morceau de viande est maigre. En cas de cuisson à basse température, moins d'eau est nécessaire car l'évaporation est limitée.
- Les gros quartiers de viande ou de légumes cuisent plus rapidement s'ils sont découpés en morceaux plus petits avant la cuisson.
- Si la préparation contient trop de liquide en fin de cuisson, enlever le couvercle et régler la mijoteuse sur Haut jusqu'à ce que suffisamment de liquide se soit évaporé.
- Bien que certaines recettes le conseillent, il n'est pas indispensable de saisir la viande avant de la faire mijoter, quoique cela puisse en améliorer la couleur. Pour les viandes en cocotte, enrober légèrement la viande de farine et la saisir à la poêle avant de la mettre à la mijoteuse. Ceci contribue à emprisonner les jus de cuisson.
- Pour épaissir un plat en sauce, régler la mijoteuse sur Haut et incorporer un agent épaississant, du type farine et eau, et laisser mijoter jusqu'à ce que la sauce ait épaissi.
- Pour obtenir de meilleurs résultats, les liquides et les sauces devront être les derniers ingrédients à être versés dans la mijoteuse.

RECETTES POUR LA MIJOTEUSE SUNBEAM

EN-CAS MIJOTÉ

- 1/4 tasse de beurre ou margarine fondu
- 1 c. à thé de sel d'ail
- 1 c. à thé de sel de céleri
- 1/2 c. à thé de sel aux épices
- 1/2 c. à thé de poivre
- 2 c. à soupe de parmesan râpé
- 3 tasses de bâtonnets de bretzels
- 1 tasse de cacahouètes salées
- 1/2 tasse de graines de tournesol
- 4 tasses de céréales Shredded Wheat
- 4 tasses de céréales d'avoine en anneau

Dans le récipient de la mijoteuse, mélanger les bretzels, les céréales, les cacahouètes et les graines de tournesol. Saupoudrer des différents sels, de poivre et de parmesan. Verser le beurre fondu; bien mélanger. Couvrir et cuire à la mijoteuse à feu doux pendant 3-1/2 heures environ. Enlever le couvercle et laisser cuire pendant 30 à 40 minutes supplémentaires avec la palette en marche (pour les modèles sans palette, remuer occasionnellement durant les 30 dernières minutes). Servir en hors-d'œuvre ou en en-cas.

UN EN-CAS POUR BEAUCOUP DE MONDE!

BŒUF AUX HARICOTS

- 2 livres (1 kg) de viande à bouillir, en dés de 1 pouce (2 à 3 cm)
- 1 tasse de sauce barbecue
- 1 tasse de bouillon de bœuf
- 1 livre (500 g) de haricots de Lima, préparés et égouttés
- Sel et poivre

Saler et poivrer le bœuf. Le placer dans le récipient de la mijoteuse avec la sauce barbecue et le bouillon. Couvrir et cuire à feu doux pendant 5 heures environ. Pour plus de saveur, mettre la palette en marche ou remuer occasionnellement au début du cycle de cuisson. Au bout de 5 heures, ajouter les haricots égouttés et cuire à haute température pendant 15 à 20 minutes supplémentaires.

POUR 6 PERSONNES

POULET EN SAUCE

1 poulet à rôtir en morceaux
2 c. à soupe de beurre ou margarine fondu
1 c. à thé de sel aux épices
1 boîte 10-3/4 onces (300 ml) de crème de champignons concentrée, non préparée
30 onces (85 g) de fromage à la crème en dés
1/2 tasse de xérès
1 c. à soupe d'oignon haché
sel et poivre

Rincer le poulet et le tamponner avec une serviette en papier. Badigeonner de beurre. Saler et poivrer. Placer dans le récipient de la mijoteuse. Saupoudrer de sel aux épices. Couvrir et cuire à feu doux pendant 5-1/2 heures environ. 45 minutes avant de servir environ, combiner le potage, le fromage à la crème, le xérès et l'oignon dans une petite casserole. Cuire jusqu'à obtenir un mélange homogène. Verser sur le poulet dans le récipient de la mijoteuse. Mettre la palette en marche, couvrir et cuire pendant 30 minutes à feu doux (pour les modèles sans palette, remuer occasionnellement durant les 30 dernières minutes). Servir avec du riz.

POUR 4 PERSONNES

HARICOTS AU FOUR PAR WENDY

5 tasses d'eau
2-1/2 tasses (1 livre - 500 g) de haricots secs, rincés et séchés
1 c. à soupe d'huile de colza
1 c. à soupe d'assaisonnement à l'hickory
1-1/4 tasses d'oignon haché
1 c. à soupe de ciboulette hachée
1/4 tasse de sucre roux
1-1/2 c. à thé de sel

Dans le récipient de la mijoteuse, combiner 4 tasses d'eau avec les autres ingrédients, à l'exception du sel. Couvrir et cuire à haute température pendant 2 heures ou jusqu'à ce que les haricots soient tendres. Ajouter la dernière tasse d'eau et cuire pendant 2 heures supplémentaires. Saler et mettre la palette en marche ou remuer occasionnellement pendant les 15 dernières minutes de cuisson.

POUR 8 PERSONNES

RAGOÛT DE BŒUF

2 livres (1 kg) de viande de bœuf à bouillir, en dés de 1 pouce (2 à 3 cm)	1/2 tasse de farine
1 feuille de laurier	2 c. à soupe d'huile
1 oignon moyen haché	1 c. à soupe de sauce Worcestershire
1/4 c. à thé de poivre	1 tasse de bouillon de bœuf
1 c. à thé de sucre	2 c. à thé de sel
6 carottes épluchées et coupées en rondelles	1 c. à soupe de sucre roux
4 pommes de terre épluchées et coupées en tranches	1 tasse de céleri découpé
2 navets moyens épluchés et coupés en quartiers	12 petits oignons blancs
	4 tasses d'eau

Couvrir la viande de 1/4 tasse de farine. Réserver le reste de la farine.
Chauffer l'huile dans une poêle à frire et faire dorer la viande. Dans le récipient de la mijoteuse, combiner la viande, la feuille de laurier, la sauce Worcestershire, l'oignon haché, le bouillon, le poivre, le sel, le sucre et les légumes.
Verser suffisamment d'eau pour recouvrir tous les ingrédients.
Couvrir et cuire dans la mijoteuse à feu doux pendant 8 à 10 heures.
Épaissir le ragoût avec le reste de farine dilué dans un peu d'eau,
puis cuire à haute température pendant 10 à 15 minutes supplémentaires
ou jusqu'à ce que le ragoût ait légèrement épaissi.

POUR 6 PERSONNES

COURGE SUCRÉE

3 courges gland
1/4 tasse de beurre fondu
1/2 tasse de sucre roux
1 tasse de raisins secs
1/3 tasse de noix de coco en flocons
sel et poivre

Couper les courges en deux; enlever les pépins. Laver et égoutter sans sécher totalement. Saupoudrer de sel et de poivre. Placer dans le récipient de la mijoteuse. Couvrir et cuire pendant 3 à 5 heures ou jusqu'à ce que la chair soit tendre. Sortir du récipient. Poser (côté coupé vers le haut) sur une plaque de gril et badigeonner l'intérieur de beurre fondu. Mélanger le sucre roux, les raisins secs et la noix de coco, en garnir les courges. Cuire au four à 400°F/205°C pendant 15 minutes environ.

POUR 6 PERSONNES

HARICOTS VERTS SUPRÊMES

1/4 livre (125 g) de porc salé
2 tomates moyennes
1/2 c. à thé de sel
1/4 c. à thé de poivre
2 livres (1 kg) de haricots verts frais
2 tasses de bouillon de bœuf
1/2 c. à thé de sucre

Couper le porc salé en dés et le répartir au fond du récipient de la mijoteuse. Laver les haricots. Couper chaque haricot en 2 ou en 3 et les poser sur le porc. Éplucher les tomates, sortir les pépins et couper en dés; répartir sur les haricots. Ajouter le bouillon avec le sel, le sucre et le poivre. Couvrir et cuire à haute température pendant 3 à 4 heures ou jusqu'à ce que les haricots soient tendres. Égoutter et servir chaud.

POUR 8 PERSONNES

LE JUS DE TOMATE DE TRACCI

10 grosses tomates
1 c. à thé de sel aux épices
1 c. à soupe de sucre
1 c. à thé de sel
1/4 c. à thé de poivre

Laver et égoutter les tomates. Couper les deux extrémités. Placer dans le récipient de la mijoteuse. Couvrir et cuire à feu doux pendant 4 à 6 heures ou jusqu'à ce que les tomates soient prêtes. Passer au chinois ou au moulin à légumes. Assaisonner; mettre au réfrigérateur.

POUR 6 PERSONNES.

COQUETEL ONCTUEUX

3/4 tasse de sucre roux
1/4 c. à thé de sel
1/2 c. à thé de cannelle
3/4 c. à thé de clous de girofle moulus
2 livres (1 kg) de marmelade de canneberges,
en morceaux
4 tasses d'eau
1/4 c. à thé de noix de muscade
1/2 c. à thé de piment de Jamaïque
1 quart de gallon (1 L) de jus d'ananas
Bâtonnets de cannelle
Beurre

Diluer le sucre dans l'eau avec le sel, la muscade, la cannelle, le piment de Jamaïque et le clou de girofle. Ajouter la marmelade de canneberges et le jus d'ananas. Mettre la palette en marche (modèles sans palette: remuer occasionnellement pour obtenir une saveur optimale). Couvrir et chauffer à feu doux pendant 3 à 4 heures. À savourer chaud dans de grandes tasses, décoré de bâtonnets de cannelle et parsemé de beurre.

POUR 8 PERSONNES

RAGOÛT SLIM SANDY

6 poitrines de poulet désossées, sans peau, coupées en morceaux
3 tomates coupées en morceaux
3 poivrons verts coupés en morceaux
3 oignons jaunes coupés en morceaux
6 gousses d'ail hachées
1 grosse courgette coupée en morceaux
1 livre (500 g) de champignons frais émincés
1 boîte de 10 onces (300 ml) de crème de champignons allégée concentrée
sel et poivre

Placer le poulet, les tomates, les poivrons, les oignons, l'ail, la courgette et des champignons dans le récipient de la mijoteuse. Saler et poivrer. Cuire à feu doux pendant 6 heures. Ajouter la crème de champignons. Mettre la palette en marche et cuire pendant 10 à 13 minutes supplémentaires (pour les appareils sans palette, remuer occasionnellement durant les dernières minutes de cuisson). Servir sur des muffins anglais.

POUR 10 À 12 PERSONNES

LASAGNES

3/4 livre (350 g) de bœuf maigre haché	1/2 livre (250 g) de porc maigre haché
1 petit oignon haché	1 gousse d'ail hachée menu
1 boîte de 16 onces (450 g) de tomates, découpées	1 bouillon-cube de bœuf écrasé
1 boîte de 8 onces (225 g) de sauce tomate	1 c. à thé de persil séché
2 c. à thé de sucre	1/2 c. à thé de sel
1/2 c. à thé de basilic émietté	1 pinte (1 kg) de cottage
1/2 tasse de parmesan râpé	1/2 tasse d'origan pilé
8 onces (250 g) de lasagnes, cuites et égouttées	
8 onces (250 g) de mozzarella en tranches	

Dans une grande sauteuse, cuire le bœuf, le porc, l'ail et l'oignon en remuant. Égoutter l'excès de graisse. Placer dans le récipient de la mijoteuse. Ajouter les tomates, la sauce tomate, le bouillon-cube, le persil, le sucre, 1/2 c. à thé de sel et l'origan. Couvrir et cuire à feu doux pendant 6 à 8 heures. Combiner le cottage, 1/4 tasse de parmesan, 1/2 c. à thé de sel et l'origan dans un bol séparé. Dans un plat à gratin de 9 x 13 po (23 x 33 cm), étaler la moitié des pâtes cuites, la sauce, la mozzarella et la préparation au cottage; répéter en réservant suffisamment de sauce pour la couche supérieure. Saupoudrer du 1/4 tasse de parmesan restant. Cuire au four à 400°F/175°C pendant 45 minutes.

POUR 8 À 10 PERSONNES

CIDRE CHAUD

2 quarts de gallon (2 L) de cidre de pomme
1/4 tasse de sucre roux
2 bâtonnets de cannelle
1 c. à thé de clous de girofle entiers
1/8 c. à thé de gingembre moulu
1 orange, coupée en rondelles avec l'écorce

Combiner tous les ingrédients dans le récipient de la mijoteuse. Couvrir et chauffer à feu doux pendant 2 à 6 heures (plus la durée de cuisson est courte, et plus il est important de remuer occasionnellement ou d'utiliser la palette pour obtenir une saveur optimale). Servir à la louche directement depuis le récipient.

POUR 10 A 12 PERSONNES

CHOUROUTE À LA VANDER

4 tranches de bacon hachées
1 boîte de choucroute (1-1/2 à 2 livres - 750 g à 1 kg)
1 chou haché
1 gros oignon coupé en dés
1 c. à soupe de beurre
1 c. à thé de sucre
1/2 c. à thé de sel
1/8 c. à thé de poivre

Cuire le bacon dans une petite poêle. Dans le récipient de la mijoteuse, combiner la choucroute, le chou, l'oignon, le beurre, le sucre, le sel et le poivre. Verser le bacon cuit (avec sa graisse) sur les ingrédients dans la mijoteuse. Couvrir et cuire à feu doux pendant 3 à 5 heures.

POUR 8 PERSONNES

LE POZOLE DE TATIE KIM

4 filets de porc
14 1/2 onces (400 g) de grosse semoule de maïs égouttée
1 petit oignon haché
1 boîte de 110 g de piments verts en dés, égouttés
1/2 c. à thé de chili en poudre
1 c. à soupe de ciboulette hachée

Combiner la semoule avec l'oignon, les piments, le chili et la ciboulette au fond du récipient de la mijoteuse. Enlever le gras des filets de porc et les saler et poivrer. Poser sur la semoule. Couvrir et cuire à feu doux pendant 4 à 6 heures.

POUR 4 PERSONNES

CAROTTES GLACÉES

3 tasses de carottes en rondelles
2 tasses d'eau
3 c. à soupe de beurre
3 c. à soupe de marmelade d'orange
2 c. à soupe d'amandes effilées
1 c. à thé de sel

Combiner les carottes, l'eau et le sel dans le récipient de la mijoteuse. Couvrir et cuire à feu doux pendant 2 à 3 heures. Bien égoutter. Ajouter le reste des ingrédients. Couvrir et cuire pendant 20 à 30 minutes supplémentaires avec la palette en marche ou en remuant occasionnellement.

POUR 4 À 6 PERSONNES

BIFTECK DE RONDE

2 livres (1 kg) de bifteck de ronde
1-1/2 onces (40 g) de soupe à l'oignon en sachet
1/4 tasse d'eau
1 boîte de 10 onces (300 ml) de crème de champignons concentrée

Couper la viande en 5 parts égales. Placer dans le récipient de la mijoteuse. Ajouter la soupe à l'oignon en poudre, l'eau et la crème de champignons. Couvrir et cuire à feu doux pendant 6 à 8 heures. Servir sur de la purée de pommes de terre.

POUR 5 PERSONNES

PATATES FARCIES AUX SAUCISSES

6 ignames moyens
2 c. à soupe de beurre
2 c. à soupe de lait
1 œuf
1 c. à thé de sel
1/4 c. à thé d'origan séché
4 onces (100 g) de saucisses fumées en chapelet

Laver les ignames; égoutter sans sécher totalement. Placer dans le récipient de la mijoteuse. Couvrir et cuire à feu doux pendant 4 à 6 heures.
Sortir de la mijoteuse et couper le dessus; évider les ignames et écraser la chair dans un grand bol à mélanger. Ajouter le beurre, le lait, l'œuf, le sel et l'origan; battre jusqu'à obtenir un mélange homogène.
Ajouter la saucisse. Farcir les peaux d'igname avec cette préparation.
Cuire au four à 400°F/205°C pendant 15 à 20 minutes.

POUR 6 PERSONNES

SAUCE POUR SPAGHETTIS

1 livre (500 g) de bœuf maigre haché
1 gros oignon haché
1 gousse d'ail hachée menu
2 livres (1 kg) de tomates en boîte, découpées
1 boîte de 8 onces (225 g) de sauce tomate
1 boîte de 12 onces (350 g) de concentré de tomate
1 tasse de bouillon de bœuf
2 c. à soupe de persil haché
1 c. à soupe de sucre roux
1 c. à thé d'origan séché
1 c. à thé de basilic séché
1 c. à thé de sel
1/4 c. à thé de poivre

Dans une grande poêle, émietter la viande avec l'oignon et l'ail. Faire dorer. Égoutter l'excès de graisse. Mélanger avec le reste des ingrédients dans le récipient de la mijoteuse. Couvrir et cuire à feu doux pendant 6 à 8 heures.
Pour plus de saveur, mettre la palette en marche ou remuer occasionnellement.
Servir sur des spaghettis chauds ou autres pâtes.

POUR 6 A 8 PERSONNES

POITRINE DE BOEF À LA BARBARA

3 livres (1,3 kg) de poitrine de bœuf maigre
1 c. à thé de sel
1/4 c. à thé de poivre
1 oignon moyen haché
1 branche de céleri hachée
1/2 tasse de sauce chili
1 cannette de bière

Placer le bœuf dans le récipient de la mijoteuse. Ajouter le sel, le poivre, l'oignon, le céleri et la sauce chili. Verser la bière sur l'ensemble des ingrédients. Couvrir et cuire à feu doux pendant 8 à 10 heures ou jusqu'à ce que la viande soit tendre. Sortir le bœuf de la mijoteuse et le couper en tranches. Écumer la graisse du jus de cuisson et servir avec la viande.

POUR 4 À 6 PERSONNES

LES CÔTES À LA MEXICAINE DE MARCO

1 boîte de 1 livre (500 g) de maïs en crème
1 boîte de 1 livre (500 g) de maïs en grains, égoutté
1 boîte de 4 onces (110 g) de piments verts concassés, égouttés
1 petit oignon haché menu
1 c. à thé de ciboulette hachée
4 œufs
1 boîte de 16 onces (500 g) de tamales
1/2 tasse de parmesan râpé

Dans un bol à mélanger, combiner la maïs en crème et la maïs en grains, le piment, la ciboulette et l'oignon. Dans un bol séparé, battre les œufs en mousse; incorporer dans la préparation au maïs. Verser dans le récipient de la mijoteuse et cuire à haute température pendant 1 à 2 heures. Couper les tamales en deux et les poser sur la préparation. Garnir de fromage. Cuire pendant 1 à 2 heures supplémentaires. Servir directement depuis le récipient de la mijoteuse.

POUR 4 À 6 PERSONNES

THÉ AUX AGRUMES

6 tasses d'eau bouillante
6 sachets de thé
1/3 tasse de sucre
2 c. à soupe de miel
1 tasse de jus d'orange
1-1/2 tasses de jus d'ananas
1/2 tasse de jus de pamplemousse
1 orange coupée en rondelles avec l'écorce

Verser l'eau bouillante sur les sachets de thé dans le récipient de la mijoteuse. Couvrir et laisser infuser pendant 5 minutes. Sortir les sachets de thé. Verser le sucre, le miel, le jus d'orange, le jus d'ananas, le jus de pamplemousse et les rondelles d'orange. Couvrir et chauffer à feu doux pendant 2 à 3 heures. Mettre la palette en marche ou remuer occasionnellement. Servir à la louche directement depuis le récipient de la mijoteuse.

POUR 10 À 12 PERSONNES

GROG AU XÉRÈS

1 bouteille de xérès
6 tasses de jus d'orange
1 c. à thé de cardamome moulu

Dans le récipient de la mijoteuse, mélanger le xérès avec le jus d'orange et le cardamome. Couvrir et chauffer à feu doux pendant 2 à 3 heures. Servir à la louche directement depuis le récipient de la mijoteuse.

BŒUF SALÉ

3-1/2 livres (1,5 kg) de poitrine de bœuf salée
1/2 tasse d'oignon haché
2 gousses d'ail haché menu
2 feuilles de laurier
1 chou découpé
eau

Placer le bœuf salé dans le récipient de la mijoteuse et tout juste couvrir d'eau. Ajouter l'oignon, l'ail et les feuilles de laurier, couvrir et cuire à feu doux pendant 10 à 12 heures. Régler sur haute température et verser le chou dans le bouillon. Couvrir et cuire pendant 20 à 30 minutes supplémentaires.

POUR 6 À 8 PERSONNES

GOULACHE

2 livres (1 kg) de bœuf à bouillir, coupé en dés
1 gros oignon émincé
1 gousse d'ail hachée menu
1/2 tasse de catsup
2 c. à soupe de sauce Worcestershire
1 c. à soupe de sucre roux
2 c. à thé de sel
2 c. à thé de paprika
1/2 c. à thé de moutarde en poudre
1 tasse d'eau
1/4 tasse de farine

Placer le viande dans le récipient de la mijoteuse et recouvrir d'oignon. Mélanger l'ail, le catsup, la sauce Worcestershire, le sucre, le sel, le paprika et la moutarde dans l'eau. Verser sur la viande, couvrir et cuire à feu doux pendant 9 à 10 heures. Régler sur haute température. Dissoudre la farine dans un peu d'eau et ajouter à la préparation. Cuire à haute température pendant 10 à 15 minutes supplémentaires ou jusqu'à ce que la sauce ait légèrement épaissi.

POUR 4 À 6 PERSONNES

CÔTES À LA MEXICAINE

3-1/2 livres (1,5 kg) de bouts de côtes de bœuf
10 1/2 onces (300 ml) de consommé de bœuf
1 sachet de 1-1/4 onces (35 g) d'assaisonnement pour tacos
1/4 tasse de poivron vert haché

Dans une grande poêle, faire dorer les côtes. Éliminer le surplus de graisse et placer dans le récipient de la mijoteuse. Mélanger le consommé de bœuf avec l'assaisonnement pour tacos et ajouter le poivron vert. Verser cette sauce sur les côtes. Couvrir et cuire à feu doux pendant 6 à 8 heures.

POUR 4 À 6 PERSONNES

LE VIN CHAUD À LA CANNEBERGE DE KRISTEN

1 pinte (1 l) de jus de canneberge
1 tasse d'eau
3/4 tasse de sucre
1 c. à thé de cannelle
6 clous de girofle
1 bouteille de bourgogne
1 citron coupé en rondelles avec l'écorce

Combiner tous les ingrédients dans le récipient de la mijoteuse.
Chauffer à feu doux pendant 1 à 2 heures. Servir à la louche directement depuis le récipient de la mijoteuse.

POUR 10 À 12 PERSONNES

LES FLOCONS D'AVOINE AUX PÊCHES DE DANA

2 tasses de flocons d'avoine
2/3 tasse de son d'avoine
1 boîte de 32 onces (1 kg) de pêches au jus non sucrées
glaçons
eau
lait
sucre

Combiner les flocons d'avoine, le son d'avoine et les pêches dans le récipient de la mijoteuse. Remplir le récipient de glaçons presque jusqu'au bord puis ajouter suffisamment d'eau pour empêcher les flocons d'avoine de devenir collants.
Couvrir et cuire à feu doux pendant 8 heures. Servir chaud avec du lait et du sucre.

POUR 4 PERSONNES

BŒUF BRAISÉ

2-1/2 livres (1 kg) de macreuse à braiser désossée
1 sachet de soupe à l'oignon
1 boîte de 10 onces (300 ml) de crème de champignons concentrée

Placer la viande dans le récipient de la mijoteuse. Saupoudrer de la soupe en sachet et napper de crème de champignons. Cuire à feu doux pendant 8 heures. Servir en tranches sur des pâtes.

GARANTIE LIMITÉE 2 ANS

Sunbeam Products Inc. garantit à l'acheteur initial, sous couvert des limitations et exclusions stipulées ci-après, que ce produit est exempt, sous tous les aspects matériels, de tout défaut mécanique et électrique de matériel ou de fabrication pendant deux ans à compter de la date d'achat. Cette garantie ne couvre pas l'usure normale des pièces ni les dommages résultant des situations suivantes: usage négligent ou abusif du produit, courant ou tension d'alimentation inadaptés, utilisation en contradiction avec le mode d'emploi ou démontage, réparation ou modification par toute personne autre que le personnel d'un centre de réparation agréé.

Notre responsabilité est limitée à la réparation ou au remplacement de l'appareil par un modèle similaire de bonne ou de meilleure qualité, selon le choix du constructeur et cela durant la période de garantie, si le produit, accompagné du numéro de modèle et de la preuve d'achat datée est envoyé par courrier affranchi à l'adresse suivante:

Produits achetés aux États-Unis:

**SUNBEAM APPLIANCE SERVICE STATION
Attention: Service Department
117 Central Industrial Row
Purvis, MS 39475**

Produits achetés au Canada:

**SUNBEAM CANADA CORP., LTD.
S'il vous plaît l'appel 1-800-667-8623 ou email nous
consumeraffairs@consumer.sunbeam.com**

Ne pas renvoyer l'appareil au revendeur ou au fabricant; ceci aurait pour effet de retarder le traitement de la demande de garantie.

Pour toute question relative à cette garantie ou pour obtenir l'adresse du centre de réparation agréé le plus proche, appeler sans frais le 1-800-597-5978 ou écrire à Sunbeam – Consumer Affairs, P.O. Box 948389, Maitland, FL 32794-8389.

Au Canada, pour toute question relative à cette garantie ou pour obtenir l'adresse du centre de réparation agréé canadien le plus proche, appeler sans frais le 1-800-667-8623. Pour toutes questions relatives à cette garantie ou pour obtenir l'adresse du centre de réparation agréé le plus proche en-dehors des États-Unis et du Canada, consulter la carte de service de la garantie jointe à l'emballage du produit.

AVERTISSEMENT

La réparation ou le remplacement du produit suivant les termes de cette garantie constituent votre unique recours. **SUNBEAM PRODUCTS, INC. NE POURRA ÊTRE TENUE RESPONSABLE DE DOMMAGES ACCESSOIRES OU INDIRECTS POUR RUPTURE D'UNE QUELCONQUE GARANTIE EXPRESSE OU IMPLICITE CONCERNANT CE PRODUIT OU UNE PARTIE DE CE PRODUIT. DANS LES LIMITES DE LA RÉGLEMENTATION EN VIGUEUR, SUNBEAM PRODUCTS, INC. N'OFFRE AUCUNE GARANTIE IMPLICITE QUANT À L'ADÉQUATION DE CE PRODUIT OU D'UNE PARTIE DE CE PRODUIT À UN USAGE PARTICULIER OU À LA COMMERCIALISATION.** Certains états ou provinces n'autorisant pas l'exclusion ou la limitation des dommages accessoires ou indirects ou autorisant uniquement des limitations sur la durée de validité d'une garantie implicite, les limitations et exclusions ci-dessus peuvent ne pas s'appliquer à votre situation. Cette garantie vous accorde des droits juridiques particuliers et il est possible que vous ayez d'autres droits, différents d'un état ou d'une province à l'autre.

NOTES

PARA MÉXICO SOLAMENTE

UN AÑO DE GARANTÍA

UN AÑO DE GARANTÍA

Póliza de Garantía,

SUNBEAM MEXICANA S.A. de C.V.

Sunbeam Mexicana S.A. de C.V. garantiza por el término de un año este aparato en todas sus partes y mano de obra contra cualquier defecto de fabricación y funcionamiento, en uso doméstico normal a partir de la fecha de entrega.

Incluye la reparación o reposición gratuita de cualquier parte o componente que eventualmente fallará y la mano de obra necesaria para su diagnóstico y reparación, así como los gastos de transportación del producto a partir de la recepción en los Talleres de Servicio Autorizados derivados del cumplimiento de este certificado.

CONDICIONES

1. Para hacer efectiva esta garantía no podrán exigirse mayores requisitos que la presentación de esta póliza debidamente llenada, sellada y fechada por la casa vendedora junto con el aparato en el lugar donde fue adquirido o en cualquiera de los Centros de Servicio Autorizados que se indican en el reverso.
2. Esta póliza quedará sin efecto en los siguientes casos:
 - a) Cuando el aparato haya sido utilizado en condiciones anormales y los daños que presentara manifestaran un maltrato, descuido o mal uso.
 - b) Cuando el aparato haya sido operado en forma diferente a las condiciones normales que marca el instructivo, mismo que señala los valores nominales y tolerancias de tensiones (voltajes) y frecuencias (ciclajes de la alimentación eléctrica).
 - c) Cuando el aparato haya sido intervenido por personal no autorizado provocando alteraciones inadecuadas.
3. Los Talleres de Servicio Autorizados por Sunbeam Mexicana. S.A. de C.V., repararán y devolverán el aparato en un plazo no mayor a 30 días contados a partir de la fecha de haber ingresado éste a uno de los talleres. Excepto en caso de demoras en el servicio originado por causas de fuerza mayor o cualquier otro motivo fuera del control de los Talleres de Servicio Autorizados tales como huelga en las fábricas proveedoras, etc., situación que será comunicada a usted a través de los Talleres respectivos.
4. La garantía de esta Póliza cubre cualquier daño o desperfecto que llegara a ocurrir en el interior de los Talleres de Servicio Autorizados o en el transporte de sus vehículos, pero sin asumir la responsabilidad por daños robos, extravíos o destrucción del aparato durante los almacenamientos o transportes efectuados por terceros no autorizados.
5. En caso de extravío de la Póliza de Garantía, usted podrá recurrir al lugar donde adquirió su aparato, donde le expedirán otra Póliza de Garantía previa presentación de la Nota de Compra, Remisión o Factura respectiva.

Al término de su Póliza de Garantía, los Talleres de Servicio Autorizados, seguirán a sus órdenes para brindarle el servicio que usted se merece, siempre con la confianza SUNBEAM®, OSTER® y OSTERIZER®.

Sello de la Casa Vendedora	Aparato _____
	Marca _____
	Modelo _____

La presente garantía contará a partir de la fecha de entrega.

Año Mes Día

PARA USO DEL PROPIETARIO DEL APARATO

Sello de la Casa Vendedora

SUNBEAM MEXICANA,
S.A. de C.V.
Vía Dr. Gustavo Baz No. 180
Tlalnepantla, Edo. de México,
C.P. 54090
Tel. 729-2100

TIMBRE



**"UNA RESPUESTA PARA
CADA PREGUNTA"**

¿TIENE UD. ALGUNA PREGUNTA
O COMENTARIO?

**LLÁMENOS SIN COSTO AL: 01-800-506-1700
DEL D.F. AL: 5-729-2100**

DE LUNES A VIERNES DE LAS 8:30 HRS. A LAS 17:00 HRS.

SUNBEAM MEXICANA S.A. DE C.V.

Vía Dr. Gustavo Baz No. 180, Tlalnepantla, Edo. de México
C.P. 54090
Tel 5-729-2100 FAX 5-397-0399

OFICINAS DE VENTA EN LA REPÚBLICA MEXICANA:

SUCURSAL TLALNEPANTLA EDO. DE MÉXICO

Vía Dr. Gustavo Baz No. 180 Tel: 5-729-2100

SUCURSAL GUADALAJARA, JALISCO

Juan Kepler #4536-4, Col. Residencial Arboledas, Zapopan,
C.P. 45070. Tel: 01-3-632-1307/Fax: 01-3-632-6207

SUCURSAL MONTERREY, NUEVO LEÓN

Plaza Puerta del Sol 502 Local 19, Colinas de San Jerónimo,
C.P. 06463 Tel: 01-8-315-2666/Fax: 01-8-315-2627

CARACTERÍSTICAS ELÉCTRICAS:

60Hz 127 \sim +/-10% V 290W

©OSTERIZER,® SUNBEAM® y OSTER® son Marcas Registradas de Sunbeam Corporation

©Sunbeam Products, Inc. o sus compañías afiliadas, todos los derechos reservados Sunbeam,
es una marca registrada de Sunbeam Products, Inc. o de sus compañías afiliadas.
Distribuido por: Sunbeam Products, Inc. Boca Raton, FL 33431.

Use sólo refacciones originales

PARA SERVICIO DE GARANTÍA Y VENTA DE PARTES Y REFACCIONES

SUNBEAM MEXICANA, S.A. de C.V.

Via Dr. Gustavo Baz No. 180, Tlalnepantla, Edo. de México

TALLERES DE SERVICIO AUTORIZADOS

ESTADO Y CIUDAD	NOMBRE Y DIRECCIÓN	TELÉFONO
AGUASCALIENTES	AGUASCALIENTES - DISTRIB. AGUASCALIENTES - Madero No. 203	15-1346
	AGUASCALIENTES - RYSE DE AGUASCALIENTES, S.A. - Atiende Poniente Y Victoria No. 118	15-5782
BAJA CALIFORNIA NORTE	AGUASCALIENTES - SAMUEL RODRIGUEZ D., - Abedul No. 1006	14-8222
	TIJUANA - CASA ELÉCTRICA ROTHENHAUSLER - 5A. E. Zapala No. 1637	85-F 149 y 85-3025
CAMPECHE	TIJUANA - PLOMERIA LAS DOS EMES - Defensores de Baja California No. 200, Col. Ruiz Cortines	82-3189
	CAMPECHE - REFA HOGAR DE CAMPECHE - Av. Fco. I. Medero. C. Com. Villa del Río. Depto. 1.	1-4206
CHIAPAS	CIUDAD DEL CARMEN - REFA HOGAR DE CARMEN - Calle No. 24. No. 73-C	2-3619
	COMITAN - CENTRO SINGER DE COMITAN - 3A Calle Norte Poniente No. 59, Col. Centro	2-0290
CHIQUAHUA	OCOSINGO - ELECTRÓNICA DEL ISTMO - 2A Av. Sur Oriente No. 14. Col. Centro	8-1137
	SAN CRISTOBAL DE LAS CASAS - REFAC. ELECTRI-HOGAR - 20 de Noviembre No. 17-B Col. Centro	8-7070
	TAPACHULA - REFRIGERACIÓN Y SISTEMAS - 5A Calle Poniente No. 16-8 Col. Centro	3-7325
	TUXTLA GUTIERREZ - COMPRESORES Y PARTES DE REFRIGERACIÓN - 2A Poniente Sur No. 500, Col. Centro	2-2737
	TUXTLA GUTIERREZ - SERVICIO Y REFAC. DE TUXTLA - 2A Oriente Norte No. 354 Int.	10-5540
	CHIHUAHUA - REFAC. Y SERVICIOS DE CHIHUAHUA - Av. Juárez No. 514	10-5963
	CHIHUAHUA - TALLER DE REFRIG. Y SERVICIOS ELÉCTRICOS - Ojinaga No. 507	Z-1457 y Z-8333
	CIUDAD DELICIAS - MUEBLERÍA PORTILLO - Calle 1a. Norte No. 104, Col. Centro	17-8030
	CIUDAD JUAREZ - DIST. TURMIX Paseo Triunfo de la República No. 5298, Local 2-A Col. San Lorenzo	2-2321 y 2-7575
	CIUDAD JUAREZ - REFAC. DEL HOGAR DE CHIHUAHUA, S.A. DE C.V. - Av. Insurgentes No. 1669	2-0320
COAHUILA	HIDALGO DEL PARRAL - CASA ELÉCTRICA DEL PARRAL - Calle Colegio No. 35	Z-7845 y 2-4140
	HIDALGO DEL PARRAL - CASA MAYKA - Maclovio Herrera No. 67 Local 12	12-5525
COLIMA	COAHUILA - ELECTRICIDAD Y NOVEDADES DE SALTILLO - Calle Morelos No. 211-A Sur Centro	6-3010
	TORREON - COMERCIAL GARCIA DE TORREON, S.A. - Av. Juárez No. 99 Poniente	12-9822
DISTRITO FEDERAL	TORREON - JOSÉ C. DE JESUS LOPEZ, S.A. - Calle Acuna No. 259 Sur	19-5189 y 16-3165
	TORREON - REFAC. Y SERV. P/APAR DOMESTICOS - Presidente Carranza No. 655	3-0930
	COLIMA - JABA HERMANOS - Av. Pino Suárez No. 230	2-7776
	COLIMA - TODO PARA GAS - Ignacio Sandoval No. 15	516-0292
	MEXICO - ART ELECTRICOS PARA EL HOGAR, S.A. DE C.V. - Av. Revolución 154-C Col. Tacubaya	672-0808
	MEXICO - BULBOS Y REFAC. ELECTRONICAS - Plutarco Elias No. 1494-A Col. Zacahuizco	738-1972
	MEXICO - CASA HUERTA - Calzada I. Zaragoza No. 3254 L. 13-8 Col. Sta. Martha	563-8723
	MEXICO - CORP. ELECTRODOMESTICA CASA GARCIA, S.A. DE C.V. - Av. Patriotismo No. 875-B Col. Mixcoac	845-3328
	MEXICO - DOMESTICA NORTE - Camino a Santiaquito No. 131-C Deleg. Gustavo A. Madero	584-0939 y 584-0950
	MEXICO - DOMESTICA ORIENTE - Calle 7 Mz. 6 Lote 16	512-8006
DURANGO	MEXICO - DOMESTICOS ELECTRO S.A. DE C.V. - Toniaí No. 124 Col. Rome	842-4489
	MEXICO - ECONOHOGAR - López No. 31-A. Col. Centro	608-2313
	MEXICO - REPARADORA DEL HOGAR TLAHUAC - FF.CC. Rafael Atlixco No. 1 Tlahuac	11-0251
	MEXICO - SERVICIO DOMESTICO DEL SUR - Blvd. La Virgen Manz, 1 Lota 6 Col. Carmen Sentan	17-4736
	DURANGO - REFACCIONARIA EASY - Patoni No. 506 Sur	14-0225
	DURANGO - REFACCIONARIA EASY - Pino Suárez No. 423 Poniente	14-6031
	DURANGO - SERVICIO ESPARZA - 20 de Noviembre No. 507 con Porras	875-7030
	GOMEZ PALACIOS - REFAC. Y SERV. P/APAR DOMESTICOS STA. LUCIA - Hidalgo y Escobedo	787-2622
	GOMEZ PALACIOS - REFAC. Y SERV. P/APAR DOMESTICOS STA. LUCIA - Victoria No. 326-A Norte	787-7536
	COACALCO - ELECTRODOMESTICOS MARSOL - C. Comercial Coacalco, Local 33	797-8131
EDO. DE MÉXICO	ECATEPEC - SERVICIO DOMESTICO HERGAR - Via Morelos No. 103 (Antes 30), Col. Jajalpa	765-3371
	ECATEPEC - SERVICIO HEGAR - Via Morelos No. 26 Manz, 1 Col. Nuevo Laredo	731-9345
	IXTLAHUACA - POUREPUESTOS ORIGINALES - Plaza Suárez No. 1 - J.	565-8942
	NETZAHUALCOYOTL - CASA HUERTA - Av. Aldolfo López Mateos No. 150	2-1445
	NETZAHUALCOYOTL - CASA HUERTA - Av. Pantitlan No.407 Col. Vicente Villada	5-5157
	NETZAHUALCOYOTL - CASA HUERTA - Plaza Neza, Local E-27, Col. Benito Juárez	6-4446 y 7-6767
	TLALNEPANTLA - CASA MONTOYA - Av. Río Lerma No. 111	11-7381
	TOLUCA - SERVICIO Y REFAC. TAUN - Ignacio López Rayón Norte No. 211-A. Col. Centro	16-8006
	ACAMBARO - PRELAGAS DE ACAMBARO - Vicente Guerrero No. 23-C	2-0774
	CELAYA - ELECTRODOMESTICOS DEL BAJIO - Bejuca No. 103, Col. Los Pinos	7-3475
GUAMAJUATO	IRAPUATO - MECAN HOGAR Y/O RYSE DE IRAPUATO - Av. 5 de Mayo No. 518, Col. Independencia	82-0349
	LEÓN - ELECTRONICA DIGITAL - Río Lerma No. 1124, Col. Prados Verdes	2-1099
GUERRERO	LEÓN - SERVI HOGAR - Pino Suárez No. 314 Col. Centro	3-3930
	MOROLEÓN - REFACCIONARIA DEL HOGAR - Guadalupe Victoria No. 25 Col. Centro	5-1837
HIDALGO	PENJAMO - ELECTRONICA DEL CENTRO - Hidalgo No. 44-B. Zone Centro	2-3374 y 2-0484
	SALAMANCA - REFRIGERACIÓN FONSECA - Calaya No. 107, Col. Guanajuato	7-2914
JALISCO	ACAPULCO - TELEVICENTRO - Av. Cuauhtámoc No. 135, Col. Centro	23-1927
	IGUALA - ELECTRO SURIANA - Av. Bandera Nacional No.1-A	14-6825
HIDALGO	ACAPULCO - TELEVICENTRO - Velázquez de León No. 52, Col. Centro	25-5819 y 25-3460
	CIUDAD SAHAGUN - SERVICIO ELIZALDE - Av. Huichapan No. 17, Col. Rojo Gómez	13-0325 y 14-9088
JALISCO	PACHUCA - REFAC. Y SERVICIO DE HIDALGO - Fernando Soto No. 102-B	2-0664
	CIUDAD GUZMAN - NUEVO RADIO SERVICIO - S.A. DE C.V. - 5 Mayo No. 26	2-5455 y 2-4989
JALISCO	CIUDAD TUXPAN - SERVO ELÉCTRICA - Foa. I. Madero No. 27-A	1-0558
	GUADALAJARA - IMPLEMENTOS Y REFAC. DOMESTICAS S.A. DE C.V. - Manuel Avila Camacho No. 1280	
GUADALAJARA	GUADALAJARA - PROESA TECNOGAS S.A. DE C.V. - Independencia No. 11	
	GUADALAJARA - REFAC. ECONÓMICAS DE OCCIDENTE, S.A. DE C.V. - Garibaldi No. 1450	
LAGOS DE MORENO	GUADALAJARA - SERVICIO MAYO - Av. Colón No. 783, Sector Juárez	
	LAGOS DE MORENO - TECNO-HOGAR - Hidalgo No. 614-A	
TEPATITLAN	PUERTO VALLARTA - PROESA TECOGAS DE OCCIDENTE. - Perú No. 1279 Esq. Nicaragua	
	TEPATITLAN - TECNO GAS DE LOS ALTOS - Colón No.151	

ESTADO Y CIUDAD	NOMBRE Y DIRECCIÓN	TELÉFONO
MICHUACAN	APATZINGAN - REFRIG. Y CLIMAS ARTIF. DE MEXICO - Cart. Apatzingán Cuatro Caminos No. 202. Col. La Nueva	4-5030 y 4-5082
	LA PIEDAD - REFRIGERACION CALDERON - Vicente Guerrero No. 109. Zona Centro	2-1504
	MORELIA - CASA MARY - Alvaro Obregón No. 22. Zona Centro	2-5415
	MORELIA - CENTRAL DOMESTICA DE MORELIA - Av. Morelia Sur No. 618	2-1796
	PURUANDIRO - REFACCIONARIA SAN FRANCISCO - Fagoaga No. 72-A. Centro	83-1405
	SAHUAYO - REFRI-LAV. - Matamoros No. 4 Esq. Morelos	2-3873 y 23895
	URUAPAN - EL SURTIDOR DEL HOGAR - Madero No. 12-A	4-2926
	ZAMORA - MULT. SERV. PROF. DE ZAMORA - Virrey de Mendoza No. 283-C	5-1108
	ZAMORA - RYSE DE IRAPUATO S.A. DE C.V. - Av. 5 de Mayo Esq. Colon	2-3304 y 2-5368
	ZITACUARO - DEL CENTRO - Av. Hidalgo Poniente No. 2	3-2191
	CUAUTLA - SERVICIO DEL HOGAR - 2 de Mayo No. 104-A	2-2856
	CUERNAVACA - MECANICA DOMESTICA INDUSTRIAL - Matamoros No. 410-A Zona Centro	12-4512
CUERNAVACA - SERVICIO Y REFAC. S.A. - Plan de Ayala y Av. Central, Local 6	15-7041	
MAYARIT	TEPIC - TECNO HOGAR - Av. México No. 37 Sur	2-1936
	CERDADO - CERRAJERIAS REGIA - Carretera Nacional No. 211. Fracc. Las Hadas	5-0383
NUEVO LEÓN	GUADALUPE - CERRAJERIAS REGIA - Av. Miguel Alemán No. 243 Oriente, Col. Lindavista	79-0794
	GUADALUPE - CERRAJERIAS REGIA - Hacienda No. 1234-A Oriente, Fracc. Hda. de Guadalupe	37-3494 y 37-8510
MONTERREY	CERRAJERIA DEL VALLE - Orinoco No. 207 Norte	78-3655
	ELECTRODOMESTICA DE REFACCIONES - Fidel Velázquez No. 1513 Poniente L-4F. Col. La Central	
MONTERREY	JOSE F. SEPULVEDA - Ruperto Martínez No. 238 Oriente, Col. Centro	43-6700 y 43-1815
	REFAC. DOMESTICAS MONTERREY - Av. Gonzallitos No. 3501 Loc. 44 Col. Miltras Norte	73-1621
MONTERREY	SERVICIO Y REFAC. HECTOR SEPULVEDA S.A. DE C.V. - Zaragoza No. 203 Sur	43-8909 y 42-3970
	SAN NICOLAS DE LAS GARZAS - CERRAJERIAS REGIA - Av. Parque Anahuac No. 105 Oriente, Col. Anahuac	76-9024
OAXACA	SERVICIO ELECTRODOM. APARICIO - Av. Pariférico No. 111, Col. Postal	3-6277
PUEBLA	SERVICIO ESPECIALIZADO WHIRLPOOL - José Mania Morelos No. 1234	5-4616
	REFAC. DEL HOGAR - Calle Sur No. 503-B	5-2465
PUEBLA	MATERIAL ELECTRICO LA CASA - 10 Oriente No. 15-B	46-5504
	REPRESENTACION DE PUEBLA - 3 Poniente No. 523-B	42-4955
TEHUACAN	C. DE SERVICIO ALM. PATJANE - Av. Independencia Poniente No. 407, Col. Centro	2-3835
	ALMACENES 5-10-15 - Prof. Av. Juárez No. 2	2-0720
QUERÉTARO	ELECTRÓNICA "J.M.V." - Calle Peña de Bernal No. 7-B. Col. Las Américas	17-1592
	ELECTRODOM ANTONIO - 16 de Septiembre No. 6-C Poniente	12-2149
QUINTANA ROO	AGUILAR REFACCIONES - Av. López Portillo SM 70 Manz. 1 Local, 2 Col. Centro	84-0727
	REFACCIONARIA DEL HOGAR - Adolfo Rosado Salas No. 33, Depto. 1, Col. Centro	2-1690
SAN LUIS POTOSI	TALLER DE REP. DE APARATOS ELECTRICOS ALVARADO - Hidalgo No. 89	2-3841
	CIUDAD VALLES - REFACCIONARIA DEL HOGAR DE VALLES S.A. - Calle Aguilas No. 500	2-1148
S.L.P.	ELECTRO HOGAR - Julián de los Reyes No. 328	12-2116
	PROV. TECNO HOGAR GIVI - Himno Nacional No. 1410, Col. Las Aguilas	12-5808
SIMALOA	SERVICIO ELECTRODOM. ITURBIDE - Damián Carmona No. 685	2-0487
	SERVICIO DEL HOGAR GOMEZ - Av. Morelos No. 183 Norte	3-6995
GUAMUCHIL	ELEC. DOMESTICA E INDUSTRIAL - Zaragoza No. 157 Norte, Col. Juárez	2-1088
	NUEVO JAPON DE LOS MOCHIS - Benito Juárez No. 430 Poniente	2-5850
LOS MOCHIS	TECOGAS DE OCCIDENTE, S.A. DE C.V. - Av. Hidalgo No. 545	5-5860 y 5-5247
	CAMACHO DE MAZATLAN, S.A. DE C.V. - Zaragoza No. 1211	1-6110 y 2-8420
MAZATLAN	REFAC. DEL HOGAR, S.A. DE C.V. - German Evers No. 1708 Norte	85-1325 y 85-0794
	TECNI-SERVICIOS GALICIA S.A. DE C.V. - Veracruz No. 435 Sur	3-8033 y 3-3315
SONORA	CENTRAL DE REFACCIONES SERVICIOS - Av. Miguel Alemán No. 75 Sur	2-3244
	SERVICIO ELECTRO HOGAR - Guerrero No. 80 Esq. Dr. Noriega	2-1244
TABASCO	ELECTROHOGAR 2 HERMANOS - Juárez No. 1102 Esq. Rayon	4-2073
	COMERCIAL LA ESTRELLA - Mader No. 805, Col. Centro	2-0548
TAMAULIPAS	SERVICIO Y REFAC. FRIAS - Sánchez Megallanes No. 918	2-7002
	CARLOS A. CARRIZALES PAZ - Adolfo López Mateos No. Local 6	6-1335
MATAMOROS	MUEBLERIA REAL DEL NORTE, S.A. DE C.V. - Juárez y Panamá No. 3-B	13-2122
	COM. ELECTRICA BRICEÑO - H. del Cañonero No. 206 Oriente	12-1775
TAMPICO	HOSPITAL DE ELECTRODOM. - Díaz Mirón No. 909 Oriente	12-6940
	SERVICIO ALLENDE - Olmos No. 602 Norte	12-1999
VERACRUZ	PROV. DE RESTAURANTES DE REYNOSA - Calle Bravo No. 500, Centro	22-5679
	ACC. Y REFRIG. DEL SURESTE, S.A. DE C.V. - Maipica No. 312	2-1976
CORDOBA	VIC-MAR - Av. 2 No. 921	2-8393
	ELECTROREFRIG. CUPIL S.A. DE C.V. - Calle Amelia Riverol No. 10 Col. Playon Sur	3-5714
MINATITLAN	SIST. Y EQUIPOS COMPUTACIONALES S.A. DE C.V. - Poniente 2 No. 38	5-0311
	REFAC. INTERNACIONAL DEL HOGAR - Mariano Artista, Esq. 16 de Sept., Col. Tajin	3-5119
ORIZABA	TELE SERVICIO - Dr. Argudín No. 2	2-0570
	REFAC. INTERNACIONAL DEL HOGAR - Garizurietz No. 52	4-2016
TUXPAN	LINEA BLANCA DE TUXPAN, S.A. DE C.V. - Arteaga No. 1	4-5953
	ELECTRODOMESTICA DEL PUERTO - Zamora No. 1479	38-2154
VERACRUZ	SERVIREFAC. RODRIGUEZ - Carlos Cruz No. 55 Local 4	32-5351
	DOMESTICA TAPIA - Av. Rafael Murillo Vidal No. 3-F, Fraco. Enseno	18-8759
YUCATAN	ELECTRODOMESTICOS REFORMA - Calle 72 No. 433-C	28-2137
	REFACCIONARIA DEL HOGAR - Calle 67 No. 511	23-5652
ZACATECAS	DOMESTICA MUNOZ - Calle 1858 No. 4, Fracc. González Ortega	2-5727
	TELE SERVICIO LUNA - Nicolás Bravo No. 3, Col. Centro	2-0599
ZACATECAS	REFAC. DOMESTICAS ROMO - Rayon No. 220	2-3664

COMPRADOR:

CASA VENDEDORA:

Nombre _____ Dirección _____
 Dirección _____ Ciudad _____
 Ciudad _____ Estado _____
 Estado _____ Aparato _____ Marca _____ Modelo _____

La presente garantía contará a partir de la fecha de entrega Año _____ Mes _____ Día _____

PRECAUCIONES IMPORTANTES

Cuando use aparatos eléctricos, algunas precauciones básicas de seguridad siempre deben de tomarse:

1. **LEA TODAS LAS INSTRUCCIONES.**
2. Desconecte el aparato de la toma de corriente cuando no esté en uso y antes de limpiarlo. Permita que éste se enfríe antes de poner o quitar partes y antes de limpiar el aparato.
3. Para proteger contra una descarga eléctrica y lesiones a personas, no coloque el cordón, el contacto o el cuerpo del aparato en agua o en otros líquidos.
4. No toque las superficies calientes. Use las perillas o asas.
5. Supervisión extrema es necesaria cuando el aparato es usado por o cerca de niños.
6. No opere ningún aparato con un cordón dañado o después de que el aparato ha funcionado inadecuadamente o ha sido dañado en cualquier forma. Regrese el aparato a un Centro de Servicio Autorizado de Aparatos Sunbeam para su examinación, reparación o ajuste.
7. El uso de accesorios o aditamentos no recomendados por el fabricante pueden causar incendios, descargas eléctricas o lesiones personales.
8. No se use en exteriores o con propósitos comerciales.
9. No permita que el cordón cuelgue sobre la orilla de la mesa o del mostrador o toque superficies calientes, incluyendo la estufa.
10. No coloque sobre o cerca de quemadores de estufas de gas o dentro de un horno caliente.
11. Tenga mucho cuidado cuando use un aparato que contenga aceite caliente u otros líquidos calientes.
12. Para desconectar la Olla de Cocción lenta, gire el control a la posición "APAGADO/OFF", después quite el enchufe de la toma de corriente en la pared.
13. **CUIDADO:** Para prevenir daños o el peligro de descargas eléctricas, no cocine sobre la base. Cocine solamente en la olla removible.
14. Evite los cambios drásticos de temperatura, como agregar alimentos refrigerados a una olla caliente.
15. No use este aparato mas que para lo que ha sido diseñado
16. Evite el contacto con partes en movimiento.

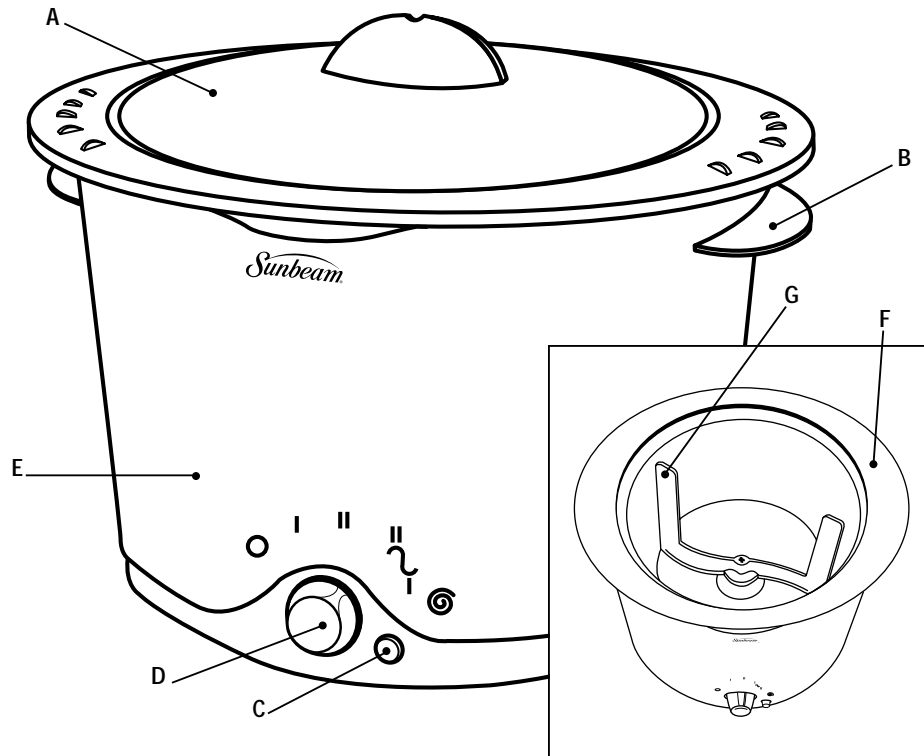
ESTA UNIDAD ES PARA USO DOMÉSTICO SOLAMENTE

PARA PRODUCTOS COMPRADOS EN ESTADOS UNIDOS Y CANADÁ ÚNICAMENTE

Para reducir el riesgo de descargas eléctricas, este aparato cuenta con una clavija polarizada (*una cuchilla es más ancha que otra*). Como medida de seguridad, esta clavija entra sólo de una manera en un enchufe polarizado. Si la clavija no encaja en el enchufe simplemente colóquela al revés. Si aun así no encaja llame a un electricista calificado. De ninguna manera intente modificar esta medida de seguridad.

CONSERVE ESTAS INSTRUCCIONES

CONOZCA SU OLLA DE COCCIÓN LENTA



A. Tapa

B. Asas

C. Botón para Remover
(algunos modelos únicamente)

D. Perilla de Control

E. Base

F. Olla

G. Pala para Remover Automática
(algunos modelos únicamente)

CARACTERÍSTICAS

Olla PermaTherm™ – Olla de cocción aislada que es removible, resistente a los golpes y se puede lavar en lavavajillas. Levante la olla y saque de la base tomando las asas laterales y jalando hacia arriba.

Perilla de Control – Ajuste la perilla de control a la temperatura “Low/Baja” o “High/Alta” dependiendo de los alimentos que se van a preparar y del tiempo de cocción que se desea usar. Cuando no esté en uso, la perilla de control debe ser girada a la posición de “Off/Apagado”.

Disminución Automática de Temperatura (algunos modelos únicamente) – Cocina los alimentos en la posición Alta /High y después automáticamente cambia a temperatura baja para terminar el resto del ciclo de cocción.

Tapa Transparente – Se ajusta perfectamente a la olla, retiene la humedad y el calor en el interior mientras que permite la visibilidad de los alimentos desde el exterior. La tapa debe lavarse en la rejilla superior de la maquina lavavajillas.

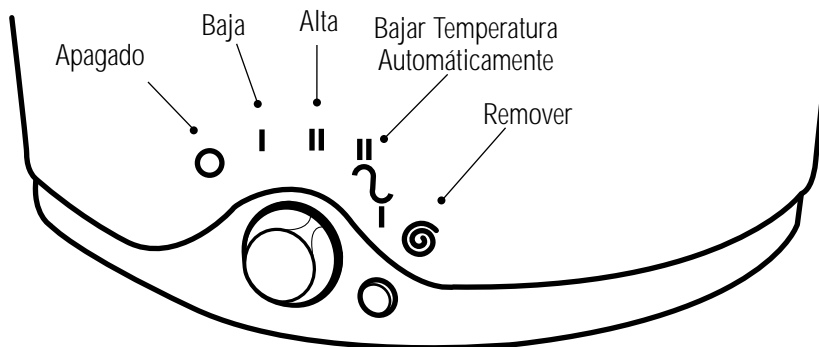
Elemento Calefactor Alrededor del Aparato – El elemento calefactor esta alrededor de toda la olla, calentando los alimentos de una manera uniforme y completa.

Pala para Remover – La pala automática para remover los alimentos, se mueve a los lados y en la parte inferior de la Olla de Cocción automática, mezcla consistentemente los alimentos y las especias para preparar comidas con un sabor delicioso y facilitar la limpieza. La pala es removible y se debe lavar en la rejilla superior de la maquina lavavajillas.

Botón para Remover (algunos modelos únicamente) – Presione el botón para activar el mecanismo para remover los alimentos, presione otra vez para apagar el mecanismo.

USANDO SU OLLA DE COCCIÓN LENTA SUNBEAM®

- Antes del primer uso, lave muy bien la olla, la tapa y la pala (algunos modelos) en agua caliente y jabonosa; enjuague y seque. **NOTA:** No sumerja la base de la Olla de Cocción Lenta en agua.
- Prepare la receta de acuerdo a las instrucciones. Coloque dentro de la olla.
- Baje la olla dentro de la base para Cocción Lenta. Las asas de la olla se alinean con las asas de la base.
- Conecte el cable a una toma de corriente de 120 voltios.
- Encienda la unidad al seleccionar la temperatura Low/Baja, High/Alta o Auto Low/Bajar Temperatura Automáticamente. (algunos modelos)



Se recomienda cocinar las recetas normalmente a temperatura Baja o Alta; sin embargo, la temperatura puede ajustarse basada en el tiempo de cocción disponible. En general, la temperatura Baja es recomendable para la cocción de "todo el día". Una hora de cocción a temperatura Alta equivale a un poco más de dos horas en temperatura Baja. La función para Bajar la Temperatura Automáticamente empieza cocinando a temperatura Alta, después automáticamente cambia a temperatura Baja (después de 1-1/2 a 2 horas) para el tiempo de cocción restante.

NOTA: Cuando use la función de Bajar la Temperatura Automáticamente, la perilla de control debe estar en esta posición y no debe moverse a otra, aunque la temperatura esté cambiando de Alta a Baja. La función para Bajar la Temperatura es ideal cuando el tiempo para completar la cocción se desconoce.

- Coloque la tapa sobre la olla durante la cocción a menos que se especifique lo contrario en la receta.
- Si lo dese, puede activar la pala automática para remover los alimentos presionando el Botón para Remover (algunos modelos únicamente). Si no desea remover los alimentos, la Pala puede apagarse o quitarse del aparato por completo.
- Apague el control de temperatura colocando en la posición de "APAGADO / OFF" cuando el tiempo de cocción se ha terminado.
- Remueva los alimentos de la olla, o use la olla para servir levantándola de la base por medio de las asas. El material PermaTherm™ de la olla ayudará a mantener los alimentos calientes, aún después de que ha sido removida de la base de la Olla de Cocción.
- La olla puede usarse para almacenar alimentos en el refrigerador. De hecho, el material PermaTherm™ le permite que saque su olla del refrigerador y la coloque sobre la base sin calentar previamente la olla de cocción o la base.
- Cuando la Olla de Cocción lenta no esté en uso, asegúrese de que la Perilla de Control y la Pala para Remover sean apagadas.

LIMPIANDO SU OLLA DE COCCIÓN LENTA

- Asegúrese de que la Perilla de Control esté en la posición de "Apagado/OFF". Desconecte el cable de la toma de corriente.
- Para lavar la Olla de Cocción, la Tapa y la Pala, remueva los componentes de la base y lave en agua caliente y jabonosa, o coloque dentro de la lavavajillas. Si la olla es difícil de limpiar, remoje en agua tibia y jabonosa antes de lavar.
- Para limpiar la base de la Olla de Cocción Lenta, limpie el cuerpo exterior del aparato y el interior con un paño húmedo.
- Nunca use limpiadores abrasivos o químicos.
- Nunca sumerja la base de la Olla de Cocción Lenta en agua o en otros líquidos.

USANDO SU PALA PARA REMOVER (ALGUNOS MODELOS ÚNICAMENTE)

Para activar la pala para remover, presione el botón para remover los alimentos que está junto a la perilla de control. Después de algunos segundos, la pala girará; la pala se moverá en sentido contrario a las manecillas de reloj y en sentido de las manecillas del reloj. Si la pala está obstruida mientras rota, se detendrá por algunos momentos, después automáticamente rotará en sentido inverso. La pala para remover puede apagarse en cualquier momento, durante o después de que el ciclo de cocción haya terminado. Si no necesita remover, la pala puede apagarse al presionar el botón o puede sacarla del aparato tomándola del centro y levantando de la base.

CONSEJOS PARA LA COCCIÓN LENTA

Para mejores resultados, siga las siguientes indicaciones cuando cocine con su Olla de Cocción Lenta:

- La Olla de Cocción Lenta debe por lo menos estar llena hasta la mitad para máximos resultados.
- Debido a que la Olla de Cocción Lenta está diseñada para cocinar durante un periodo de tiempo prolongado, no afectará su receta el cocinar una hora extra o más en la temperatura Low / Baja (o la función de Bajar la Temperatura Automáticamente/Auto Low).
- Algunos alimentos no deben cocinarse por un periodo de tiempo prolongado; por ejemplo, productos lácteos, pastas y arroz, estos alimentos deben ser agregados a la Olla de Cocción Lenta durante las últimas dos horas del ciclo de cocción.
- Cuando cocine verduras con carnes, coloque las verduras en el fondo de la Olla.
- Cuando cocine alimentos congelados, aumente el tiempo de cocción.
- Cuando prepare carnes, es recomendable agregar una pequeña cantidad de agua a la Olla de Cocción Lenta para mantener la carne suave. Mientras más libre de grasa esté el corte de carne que cocine, más agua es recomendada. Cuando use la temperatura Low/Baja, se recomienda usar agregar menos líquido ya que la evaporación será muy poca.
- Las piezas grandes de carne y las verduras se cocinarán más rápido si se cortan en trozos más pequeños antes de cocinarlos.
- Si la receta acaba por tener demasiado líquido, remueva la tapa y use la temperatura Alta hasta que se haya evaporado el líquido suficiente.
- Aunque algunas recetas recomiendan dorar la carne antes de usar la cocción lenta, esto no es necesario, pero puede mejorar el color de la carne. Si prepara un guisado o estofado con carne, una capa ligera de harina y dorar antes de agregar a la Olla de Cocción puede ayudar a sellar los jugos de la carne.
- Si el guisado o estofado necesita espesar, use la temperatura alta y mezcle un ingrediente para espesar las mezclas como el harina y el agua, permita que se caliente hasta que espese.
- Para mejores resultados, los últimos ingredientes deben agregarse a la Olla de Cocción Lenta deben ser los líquidos y las salsas.

RECETAS PARA LA OLLA DE COCCIÓN LENTA SUNBEAM

SABROSO BOCADILLO

- 1/4 de taza de mantequilla o margarina derretida
- 1 cucharadita de sal de ajo
- 1 cucharadita de sal de apio
- 1/2 cucharadita de sal sazónada
- 1/2 cucharadita de pimienta
- 2 cucharadas de queso parmesano rayado
- 3 tazas de palitos de pan pretzels
- 1 taza de cacahuets salados
- 1/2 taza de semillas de girasol
- 4 tazas de cereal de trigo rayado
- 4 tazas de cereal de avena en ruedas

En la olla de cocción lenta, mezcle los pretzels, el cereal, los cacahuets y las semillas. Espolvoree con las sales, la pimienta y el queso. Vierta mantequilla derretida sobre toda la mezcla y revuelva hasta que todos los ingredientes estén bien incorporados. Cubra y cocine en la olla de cocción lenta a una temperatura baja aproximadamente durante 3-1/2 horas. Destape y cocine por otros 30 a 40 minutos, con la pala para remover activada (para modelos sin la pala para remover, remueva ocasionalmente durante los últimos 30 minutos). Sirva como un aperitivo o bocadillo.

RINDE: ¡BOCADILLOS PARA TODOS!

CARNE Y FRIJOLES

- 2 libras (1 kg) de carne para guisado, cortada en cuadros de 1 pulgada (2 a 3 cm)
- 1 taza de salsa barbecue
- 1 taza de caldo de res
- 1 libra (500 g) de judías o habas, preparadas y drenadas
- Sal y pimienta

Rocíe la carne con sal y pimienta. Coloque en la olla de cocción lenta con la salsa barbecue y el caldo. Cubra y cocine a una temperatura baja aproximadamente durante 5 horas. Para mejorar el sabor, active la pala para remover o remueva ocasionalmente durante el inicio del ciclo de cocción. Cuando hayan transcurrido las 5 horas del ciclo de cocción, agregue las judías o habas drenadas y cocine a temperatura alta durante otros 15 a 20 minutos.

RINDE: 6 PORCIONES

ESTOFADO DE RES

2 libras (1 kg) de carne para guisado, cortada en cuadros de 1 pulgada (2 a 3 cm)
1/2 taza de harina
2 cucharadas de aceite
1 hoja de laurel
1 cucharada de salsa de Worcestershire
1 cebolla mediana, picada
1 taza de caldo de res
1/4 de cucharadita de pimienta
2 cucharaditas de sal
1 cucharadita de azúcar
1 cucharada de azúcar morena
6 zanahorias, peladas y rebanadas
1 taza de apio, rebanado
4 papas, peladas y rebanadas
12 cebollas pequeñas blancas
2 nabos, pelados y cortados en cuartos
4 tazas de agua

Cubra la carne con 1/4 de taza de harina. Coloque la harina sobrante a un lado. Caliente el aceite en un sartén y dore la carne en el aceite. Combine en la olla la carne dorada, la hoja de laurel, la salsa Worcestershire, la cebolla picada, el caldo de res, la pimienta, sal, el azúcar y las verduras. Agregue suficiente agua para cubrir todos los ingredientes. Cubra y cocine a temperatura baja durante 8 a 10 horas. Espese el estofado con la harina sobrante, disolviéndola en una pequeña cantidad de agua, después cocine a una temperatura alta durante 10 a 15 minutos más o hasta que el estofado esté ligeramente espeso.

RINDE: 6 PORCIONES

CALABAZAS DULCES

3 calabazas redondas o calabacines
1/4 taza de mantequilla derretida
1/2 taza de azúcar morena
1 taza de pasas
1/3 taza de hojuelas de coco
sal y pimienta

Corte las calabazas a la mitad, quite las semillas. Lave y drene el exceso de agua pero no las seque. Rocíe con sal y pimienta. Coloque en la olla. Cubra y cocine a temperatura baja durante 3 a 5 horas o hasta que estén suaves. Saque las calabazas de la olla. Coloque (con el lado cortado hacia arriba) en un sartén para asar y unte el interior con mantequilla derretida. Mezcle el azúcar morena, las pasas y el coco, con una cuchara ponga esta mezcla dentro de las calabazas. Hornee por 400°F/205°C durante 15 minutos aproximadamente.

RINDE: 6 PORCIONES

FRIJOLES HORNEADOS: POR WENDY

1/4 de libra (125 g) de carne de puerco salada
2 libras (1 kg) de frijoles verdes frescos
2 jitomates medianos
2 tazas de caldo de res
1/2 cucharadita de sal
1/2 cucharadita de azúcar
1/4 cucharadita de pimienta

Corte la carne de puerco salada y esparza en el fondo de la olla. Lave los frijoles. Rompa cada frijol en 2 ó 3 piezas y ponga sobre el puerco salado. Pele los jitomates, quite las semillas y corte en cuadros, con una cuchara esparza sobre los frijoles. Agregue el caldo de res, la sal, el azúcar y la pimienta. Cubra y cocine a temperatura alta durante 3 a 4 horas o hasta que los frijoles estén suaves. Drene y sirva caliente.

RINDE: 8 PORCIONES

JUGO DE TOMATE TRACY

10 jitomates grandes
1 cucharadita de sal sazónada
1 cucharada de azúcar
1 cucharadita de sal
1/4 cucharadita de pimienta

Lave y drene los jitomates. Remueva las puntas del corazón y el rabo. Coloque en la olla. Cubra y cocine a temperatura baja durante 4 a 6 horas o hasta que los jitomates esté listo. Presione los jitomates usando un tamiz o un molino de alimentos. Agregue sazónadores y congele.

RINDE: 6 PORCIONES

PONCHE CREMOSO

3/4 taza de azúcar morena
1/4 cucharadita de sal
1/2 cucharadita de canela
3/4 cucharadita de clavo molido
1 cuarto (1 L) de jugo de piña
Mantequilla
4 tazas de agua
1/4 cucharadita de nuez moscada
1/2 cucharadita de pimienta inglesa
2 libras (2 kg) de salsa de arándano
Trozos de canela

Combine el azúcar con el agua, la sal, la nuez moscada, la canela, la pimienta inglesa y el clavo. Agregue la salsa de arándano y el jugo de piña. Active la pala para remover. (Para modelos sin la pala para remover, remueva ocasionalmente para mejorar el sabor). Cubra y caliente a temperatura baja durante 3 a 4 horas. Sirva caliente en tazas y decore con los trozos de canela y mantequilla.

RINDE: 8 PORCIONES

CACAO CALIENTE A LA MENTA

6 chocolates cubiertos con relleno de menta
5 tazas de leche
1/2 taza de malta de chocolate en polvo
1 cucharadita de vainilla
crema batida

Combine los chocolates de menta con la leche, la malta de chocolate en polvo y la vainilla. Caliente a temperatura baja por 2 horas. Bata con la batidora Mixmaster® hasta que esté espumoso. Vierta en tazas y ponga encima la crema batida.

RINDE: 6 PORCIONES

CARNE DE PUERCO AL JENGIBRE

4-1/2 libras (2 kg) de asado de puerco
1 taza de agua caliente
1/4 taza de melaza
1/4 taza de mostaza
1/4 taza de vinagre
1/4 taza de mermelada de naranja
1/2 cucharadita de jengibre molido
sal y pimienta

Rocíe la carne de puerco con sal y pimienta y coloque en la olla. Vierta el agua caliente alrededor de la carne. Cubra y cocine a temperatura baja durante 8 a 10 horas. Saque la carne y coloque en un sartén para asar. Combine la melaza, la mostaza, el vinagre, la mermelada y el jengibre. Unte sobre la carne cocida. Dore en un horno a 400°F/ 205°C durante 30 minutos, untando varias veces con la salsa.

RINDE: 6 PORCIONES

POLLO ESTILO CHINO

3 libras (1.5 kg) de piezas de pollo
1/4 cucharadita de jengibre molido
1 diente de ajo, molido
1 taza de caldo de pollo
1 lata de 8-1/2 onzas (250 g) de piña rebanada
1 lata de 4 onzas (110 g) de castañas en agua, drenadas y rebanadas
4 cebollas verdes, rebanadas
1/4 taza de maicena
1/4 taza de salsa de soja
1 cucharada de vinagre
sal y pimienta

Rocíe el pollo con la sal y la pimienta y coloque en la olla. Combine el jengibre, el ajo, el caldo de pollo y el jugo de piña. Corte en cuartos las rebanadas de piña. Arregle la piña y las castañas en agua sobre el pollo. Vierta la salsa de jengibre cubriendo todos los ingredientes. Cubra y cocine a temperatura baja durante 3 a 4 horas o hasta que el pollo esté suave. Agregue las cebollas verdes. Disuelva la maicena en la salsa de soja y el vinagre y agregue a la olla. Active la pala para remover. Cubra y cocine a una temperatura alta durante 10 a 15 minutos o hasta que esté ligeramente espesa. Sirva con tallarines chinos crujientes.

RINDE: 5 PORCIONES

DELICADO GUIADO SANDY

6 pechugas de pollo sin pellejo y sin huesos, cortadas en trozos pequeños
3 jitomates, cortados en trozos pequeños
3 pimientos verdes, cortados en trozos pequeños
3 cebollas amarillas, cortadas en trozos pequeños
6 dientes de ajo, molidos
1 calabacín grande, cortado en trozos pequeños
1 libra (500 g) de champiñones frescos, rebanados
1 lata de 10 onzas (300 ml) de sopa condensada de crema de champiñones
baja en calorías
sal y pimienta

Coloque el pollo, los jitomates, los pimientos, la cebolla, el ajo, el calabacín y los champiñones en la olla. Agregue sal y pimienta. Cocine a temperatura baja durante 6 horas. Agregue la sopa de crema de champiñones. Active la pala para remover y cocine durante 10 a 15 minutos más (para unidades sin la pala para remover, remueva ocasionalmente durante los últimos minutos de cocción). Sirva sobre Muffins Ingleses.

RINDE: 10-12 PORCIONES

LASAGNA

3/4 libra (350 g) de carne molida de res sin grasa
1/2 libra (225 g) de carne de puerco sin grasa
1 cebolla pequeña, picada
1 diente de ajo, molido
1 lata de 16 onzas (450 g) de jitomates, cortados
1 lata de 8 onzas (225 g) de salsa de jitomate
1 cubo para preparar caldo de res, desmoronado
1 cucharadita de hojuelas de perejil
2 cucharaditas de azúcar
1/2 cucharadita de sal
1/2 cucharadita de albahaca
1 pinta (1 kg) de queso cottage
1/2 taza de queso parmesano molido
1/2 cucharadita de orégano molido
8 onzas (250 g) de pasta para lasagna, cocidas y drenadas
8 onzas (250 g) de queso mozzarella, rebanado

En un sartén grande, cocine y remueva la carne de res, la carne de puerco, la cebolla y el ajo. Drene el exceso de grasa. Coloque en la olla. Agregue los jitomates, la salsa de jitomate, el cubo para preparar caldo de res, el perejil, el azúcar, 1/2 cucharadita de sal y la albahaca en la olla. Cubra y cocine a una temperatura baja durante 6 a 8 horas. Mezcle el queso cottage, 1/4 de taza de queso Parmesano, 1/2 cucharadita de sal y el orégano en un contenedor por separado. En un sartén de 9 pulgadas x 13 pulgadas (29 cm x 33 cm) coloque en capas la mitad de la pasta cocida, la mitad de la salsa, y la mitad del queso mozzarella y el queso cottage; repita reservando suficiente salsa para la capa superior. Espolvoree con el 1/4 de taza restante de queso Parmesano, hornee a 350°F/175°C durante 45 minutos.

RINDE: 8 - 10 PORCIONES

CIDRA CALIENTE

2 cuartos (2 L) de cidra de manzana
1/4 taza de azúcar morena
2 varas de canela
1 cucharadita de clavos enteros
1/8 cucharadita de jengibre molido
1 naranja, rebanada con cáscara

Combine los ingredientes en la olla. Cubra y caliente a temperatura baja durante 2 a 6 horas. (Mientras más corto sea el tiempo de cocción, más importante es remover ocasionalmente o utilizar la pala removedora para obtener un mejor sabor). Sirva con un cucharón directamente de la olla.

Rinde: 10 - 12 Porciones

SAUERKRAUT A LA VANDER

- 4 rebanadas de tocino picado
- 1 lata de col fermentada (sauerkraut) (Una lata de 1-1/2 - 2 libras/750 g a 1 kg)
- 1 cabeza de col o repollo, picada
- 1 cebolla grande, cortada en cuadros pequeños
- 1 cucharada de mantequilla
- 1 cucharadita de azúcar
- 1/2 cucharadita de sal
- 1/8 cucharadita de pimienta

En un sartén pequeño, cocine el tocino. En la olla, combine la col fermentada, la col o repollo, la cebolla, la mantequilla, el azúcar, la sal y la pimienta. Vierta el tocino cocido (con la grasa) sobre los ingredientes de la olla. Cubra y cocine a temperatura baja durante 3 o 5 horas.

RINDE: 8 PORCIONES

POZOLE DE LA TÍA KIM

- 4 filetes de puerco
- 14-1/2 onzas (400 g) de maíz machacado, drenado
- 1 cebolla pequeña, picada
- 4 onzas (110 g) de pimientos verdes cortado en cuadros, drenados
- 1/2 cucharadita de chile en polvo
- 1 cucharada de cebollines , picados

Combine el maíz con la cebolla, los pimientos, el chile en polvo y los cebollines en la olla. Corte la grasa de los filetes de puerco y rocíe con sal y pimienta. Arregle los filetes de puerco sobre el maíz. Cubra y cocine a temperatura baja durante 4 a 6 horas.

RINDE : 4 PORCIONES

ZANAHORIAS GLASEADAS

- 3 tazas de zanahorias, rebanadas
- 2 tazas de agua
- 3 cucharadas de mantequilla
- 3 cucharadas de mermelada de naranja
- 2 cucharadas de almendras rebanadas
- 1 cucharadita de sal

Combine las zanahorias, el agua y la sal en la olla. Cubra y cocine a temperatura alta durante 2 a 3 horas. Drene bien. Agregue los ingredientes restantes. Cubra y cocine durante otros 20 a 30 minutos, activando la pala para remover o removiendo ocasionalmente.

RINDE: 4-6 PORCIONES

FILETES REDONDOS

2 libras (1 kg) de filetes redondos
1-1/2 onzas (40 g) de mezcla preparada de sopa de cebolla
1/4 taza de agua
1 lata de 10 onzas (300 ml) de sopa condensada de crema de champiñones

Corte los filetes en 5 piezas iguales. Coloque en la olla. Agregue el polvo de la mezcla preparada de sopa de cebolla, el agua y la crema de champiñones. Cubra y cocine a temperatura baja durante 6 a 8 horas. Sirva sobre puré de papas.

RINDE: 5 PORCIONES

PAPAS DULCES (CAMOTE) Y SALCHICHÓN

6 papas dulces medianas
2 cucharadas de mantequilla
2 cucharadas de leche
1 huevo
1 cucharadita de sal
1/4 cucharadita de orégano seco
4 onzas (100 g) de salchichón ahumado en trozos

Lave las papas dulces, drene pero no las seque. Colóquelas dentro de la olla. Cubra y cocine a temperatura baja durante 4 a 6 horas. Remueva de la olla y corte las puntas, con una cuchara saque los centros y haga puré en un tazón grande. Agregue la mantequilla, la leche, el huevo, la sal y el orégano; mezcle hasta que tenga una consistencia suave. Agregue el salchichón en pequeños trozos. Con una cuchara rellene las cáscaras con la mezcla. Hornee a 400°F/205°C durante 15 a 20 minutos.

RINDE: 6 PORCIONES

SALSA DE SPAGHETTI

- 1 libra (1 kg) de carne molida de res sin grasa
- 1 cebolla grande, picada
- 1 diente de ajo, molido
- 1 lata de 2 libras (1 kg) de jitomates, cortados
- 1 lata de 8 onzas (225 g) de salsa de jitomate
- 1 lata de 12 onzas (350 g) de concentrado de jitomate
- 1 taza de caldo de res
- 2 cucharadas de perejil molido
- 1 cucharada de azúcar morena
- 1 cucharadita de orégano seco
- 1 cucharadita de albahaca seca
- 1 cucharadita de sal
- 1/4 cucharadita de pimienta

En un sartén grande, desmorone la carne y mezcle con la cebolla y el ajo. Dore. Drene el exceso de grasa. Combine en la olla con los demás ingredientes. Cubra y cocine a temperatura baja durante 6 a 8 horas. Use la pala para remover o remueva ocasionalmente para mejorar el sabor. Sirva sobre spaghetti caliente o cualquier otra pasta.

RINDE: 6-8 PORCIONES

COSTILLAS BARBARA

- 3 libras (1.3 kg) de costillar con carne magra
- 1 cucharadita de sal
- 1/4 cucharadita de pimienta
- 1 cebolla mediana, picada
- 1 rama de apio, picado
- 1/2 taza de salsa de chile
- 1 lata de cerveza

Coloque la carne en la olla. Agregue la sal, la pimienta, la cebolla, el apio y la salsa de chile. Vierta la cerveza sobre todos los ingredientes. Cubra y cocine a temperatura baja durante 8 a 10 horas o hasta que estén suaves. Remueva la carne de la olla y rebane. Quite la grasa del jugo de la carne y sirva los jugos de la carne con ésta.

RINDE: 4-6 PORCIONES

SOUFFLÉ TEX-MEX

- 1 lata de 1 libra (500 g) de crema de elote
- 1 lata de 1 libra (500 g) de maíz en grano, drenado
- 1 lata de 4 onzas (110 g) de chiles verdes, picados
- 1 cebolla pequeña finamente picada
- 1 cucharada de cebollines, picados
- 4 huevos
- 1 lata de 16 onzas (500 g) de tamales
- 1/2 taza de queso cheddar rayado

En un tazón para mezclar, combine la crema de elote y los granos de maíz, los chiles, los cebollines y la cebolla. En un tazón aparte, mezcle los huevos hasta que estén espumosos; junte con la mezcla de maíz, envolviendo ambas mezclas. Coloque dentro de la olla y cocine a temperatura alta durante 1 a 2 horas. Corte los tamales a la mitad y coloque sobre la mezcla de maíz y huevo. Espolvoree el queso. Cocine por otras 1 a 2 horas. Sirva directamente de la olla.

Rinde: 4-6 Porciones

TÉ A LA NARANJA

- 6 tazas de agua hirviendo
- 6 bolsas de té
- 1/3 taza de azúcar
- 2 cucharadas de miel
- 1 taza de jugo de naranja
- 1-1/2 taza de jugo de piña
- 1/2 taza de jugo de toronja
- 1 naranja, rebanada con cáscara

Vierta el agua hirviendo sobre las bolsas de té dentro de la olla. Cubra y deje reposar durante 5 minutos. Saque las bolsas de té. Agregue el azúcar, la miel, el jugo de naranja, el jugo de piña, el jugo de toronja y las rebanadas de naranja. Cubra y caliente durante 2 a 3 horas. Active la pala para remover o remueva ocasionalmente. Sirva con un cucharón directamente de la olla.

RINDE: 10-12 PORCIONES

PONCHE AL JEREZ

- 1 botella de jerez
- 6 tazas de jugo de naranja
- 1 cucharadita de cardamomo molido

En la olla, combine el jerez con el jugo de naranja y el cardamomo. Cubra y caliente a temperatura baja durante 2 a 3 horas. Sirva con un cucharón directamente de la olla.

RES SALADA

- 3-1/2 libras (1.5 kg) de costillar de res salado
- 1/2 taza de cebolla, picada
- 2 dientes de ajo, molidos
- 2 hojas de laurel
- 1 cabeza de col o repollo, rebanada
- agua

Coloque la carne salada dentro de la olla y cubra con agua. Agregue la cebolla, el ajo y las hojas de laurel, cubra y cocine a temperatura baja durante 10 a 12 horas. Gire el control de temperatura a temperatura alta y agregue las rebanadas de col dentro al caldo. Cubra y cocine durante 20 a 30 minutos más.

RINDE: 6-8 PORCIONES

COCKTAIL DE ARANDANO KRISTEN'S

- 1 pinta (1 L) de jugo de arándano
- 1 taza de agua
- 3/4 taza de azúcar
- 1 cucharadita de canela
- 6 clavos enteros
- 1 botella de vino de Borgoña
- 1 limón, rebanado y con cáscara

Combine los ingredientes en la olla. Caliente a temperatura baja durante 1 a 2 horas. Sirva con un cucharón directamente de la olla.

RINDE: 10-12 PORCIONES

AVENA CON DURAZNOS A LA DANA

2 tazas de avena
2/3 taza de salvado de avena
1 lata de 32 onzas (1 kg) de duraznos sin endulzante
cubos de hielo
leche
azúcar

Combine la avena, el salvado y los duraznos en la olla. Agregue suficientes cubos de hielo para casi llenar la olla, después agregue suficiente agua hasta llenar la olla, esto evitará que la avena se pegue. Cubra y cocine a temperatura baja durante 8 horas. Sirva tibio con leche y azúcar.

RINDE: 4 PORCIONES

ASADOR A LA CACEROLA

2-1/2 libras (1 kg) de carne de res magra sin hueso
1 paquete de mezcla preparada en polvo de sopa de cebolla
1 lata de 10 onzas (300 ml) de sopa condensada de crema de champiñones
Coloque la carne en la olla. Rocíe con la mezcla de sopa de cebolla y cubra con la crema de champiñones. Cocine a temperatura baja durante 8 horas. Sirva la carne rebanada sobre pasta cocida.

GOULASH

2 libras (1 kg) de carne de res para guisado, cortado en trozos pequeños
1 cebolla grande, rebanada
1 diente de ajo, molido
1/2 taza de salsa catsup
2 cucharadas de salsa Worcestershire
1 cucharada de azúcar morena
2 cucharaditas de sal
2 cucharaditas de pimentón
1/2 cucharadita de mostaza seca
1 taza de agua
1/4 taza de harina

Coloque la carne dentro de la olla y cubra con la cebolla rebanada. Combine el ajo, la salsa catsup, la salsa Worcestershire, el azúcar, la sal, el pimentón y la mostaza con el agua. Vierta sobre la carne. Cubra y cocine a temperatura baja durante 9 a 10 horas. Gire el control a temperatura alta. Disuelva el harina en una pequeña cantidad de agua fría y después agregue a la mezcla de la carne. Cocine a temperatura alta por otros 10 a 15 minutos o hasta que tenga una consistencia espesa.

RINDE 4 - 6 PORCIONES

COSTILLAS MARCO A LA MEXICANA

3-1/2 libras (1.5 kg) de costillas de res pequeñas
10-1/2 onzas (300 ml) de consomé de res
1-1/4 onzas (35 g) de mezcla preparada para sazonar tacos
1-1/4 taza de pimientos verdes, picados

En un sartén grande, dore las costillas. Vierta el exceso de grasa y coloque en la olla. Mezcle el consomé de res con la mezcla preparada para sazonar tacos y agregue los pimientos verdes. Vierta la salsa sobre las costillas. Cubra y cocine a temperatura baja durante 6 a 8 horas.

RINDE: 4-6 PORCIONES

GARANTÍA LIMITADA DE 2 AÑOS

Sunbeam Products Inc. garantiza al comprador original, sujeto a limitaciones y exclusiones que se estipulan en seguida, que este producto estará libre de defectos mecánicos y eléctricos en el material y en la mano de obra durante dos años a partir de la fecha de compra. Esta garantía no cubre el desgaste de partes o daños resultantes de cualquiera de lo siguiente: uso negligente o mala utilización del producto, uso con un voltaje o corriente no adecuado, uso contrario a las instrucciones de operación, desensamble, reparaciones o alteraciones hechas por cualquier persona que no sea de un centro de servicio autorizado.

Nuestra obligación está limitada a la reparación o al remplazo del aparato durante el periodo que cubre la garantía, por un modelo similar de igual o mejor calidad, a opción del fabricante, siempre que el producto acompañado del número de modelo y el comprobante de la fecha original de compra, sea enviado con gastos prepagados directamente a la siguiente dirección:

Para productos comprados en Estados Unidos:

SUNBEAM APPLIANCE SERVICE STATION
Attention: Service Department
117 Central Industrial Row
Purvis, MS 39475

Para productos comprados en Canadá:

SUNBEAM CANADA CORP., LTD.
c/o Service Tek
Por favor llame al 1-800-667-8623 o envíenos un email
consumeraffairs@consumer.sunbeam.com

No regrese este producto al lugar de compra o al fabricante; al hacer esto retrasará el proceso del reclamo de su garantía.

Respuestas a sus preguntas sobre esta garantía o sobre la estación de servicio autorizado más cercano se pueden obtener llamando sin costo al 1-800-597-5978 o escriba a Sunbeam – Consumer Affairs, al P.O. Box 948389, Maitland, FL 32794-8389. Respuestas a preguntas sobre esta o sobre la estación de servicio autorizado canadiense más cercano se pueden obtener llamando sin costo al 1-800-667-8623. Para información sobre la garantía o sobre la localización de un centro de servicio autorizado fuera de los Estados Unidos y Canadá, por favor revise la tarjeta garantía del servicio que se incluye en el empaque del producto.

RECHAZO DE RESPONSABILIDADES

Reparación de productos o reposiciones como se ofrecen en esta garantía es su único remedio.

SUNBEAM PRODUCTS, INC. NO SE HACE RESPONSABLE POR CUALQUIER DAÑO INCIDENTAL O CONSECUENTE QUE OCURRA POR LA VIOLACIÓN DE LOS TÉRMINOS EXPLÍCITOS O IMPLÍCITOS DE LA GARANTÍA DE ESTE PRODUCTO O DE CUALQUIER PARTE DE ESTE. A EXCEPCIÓN DEL ALCANCE PROHIBIDO POR LA LEY APLICABLE, SUNBEAM PRODUCTS, INC. RECHAZA TODA RESPONSABILIDAD DE CUALQUIER GARANTÍA IMPLÍCITA O COMERCIAL, O AJUSTES HECHOS PARA UN PROPÓSITO EN PARTICULAR SOBRE ESTE PRODUCTO O CUALQUIER PARTE DE ESTE. Algunos estados y provincias no permiten la exclusión o limitación de daños imprevistos o consecuentes, o permiten limitación en la duración de una garantía implícita, así que las limitaciones o exclusiones arriba mencionadas pueden no ser aplicables para usted. Esta garantía le da a usted derechos legales específicos, y puede también tener otros derechos que pueden variar de estado a estado o de provincia a provincia.

NOTAS

PRECAUÇÕES IMPORTANTES

Ao usar os aparelhos elétricos deverá seguir as seguintes medidas de precaução básicas:

1. **LEIA TODAS AS INSTRUÇÕES ATENTAMENTE.**
2. Desconecte o aparelho, sempre que ele não estiver em uso e antes de efetuar sua limpeza. Deixe esfriar antes de colocar ou retirar partes de aparelho e limpe-o
3. Para evitar risco de choque elétrico, não submerja o fio, o tomada ou o base em água ou qualquer outro líquido.
4. Não toque em superfícies quentes. Use o puxador e as alças.
5. É necessário manter uma supervisão muito próxima quando este aparelho for usado por, em ou perto de crianças.
6. Não use nenhum aparelho eletrônico que tenha o fio ou a tomada danificada, ou após ter apresentado algum defeito ou após caído no chão. Neste caso, leve o aparelho à assistência técnica autorizada Sunbeam para revisão ou conserto.
7. O uso de peças de reposição não recomendadas pelo Sunbeam, eles podem causar fogo, descargas elétricas ou acidentes.
8. Não use o aparelho ao ar livre, este aparelho foi desenhado somente para uso doméstico.
9. Não deixe o fio pendurado para fora de mesa ou superfície onde o aparelho estiver sendo utilizado, ou em contato com superfícies quentes.
10. Não coloque o aparelho em cima ou perto de um fogão ou estufa elétrica ou a gás, nem sobre forno quente.
11. Tenha extremo cuidado quando mover este aparelho contendo óleos ou líquidos quentes.
12. Para desconectar a Panela para Cozimento Lento, gire o controle para "OFF" (desligado) e retire o plugue da tomada.
13. **CUIDADO!** Para evitar danos ou perigo de choque, não cozinhe os alimentos diretamente na base. Cozinhe somente no recipiente removível.
14. Evite mudanças bruscas de temperaturas, tais como adicionar alimentos refrigerados no recipiente aquecido.
15. Não use o aparelho para outro fim que não seja aquele para o qual foi fabricado.
16. Evite o contato com as partes móveis.

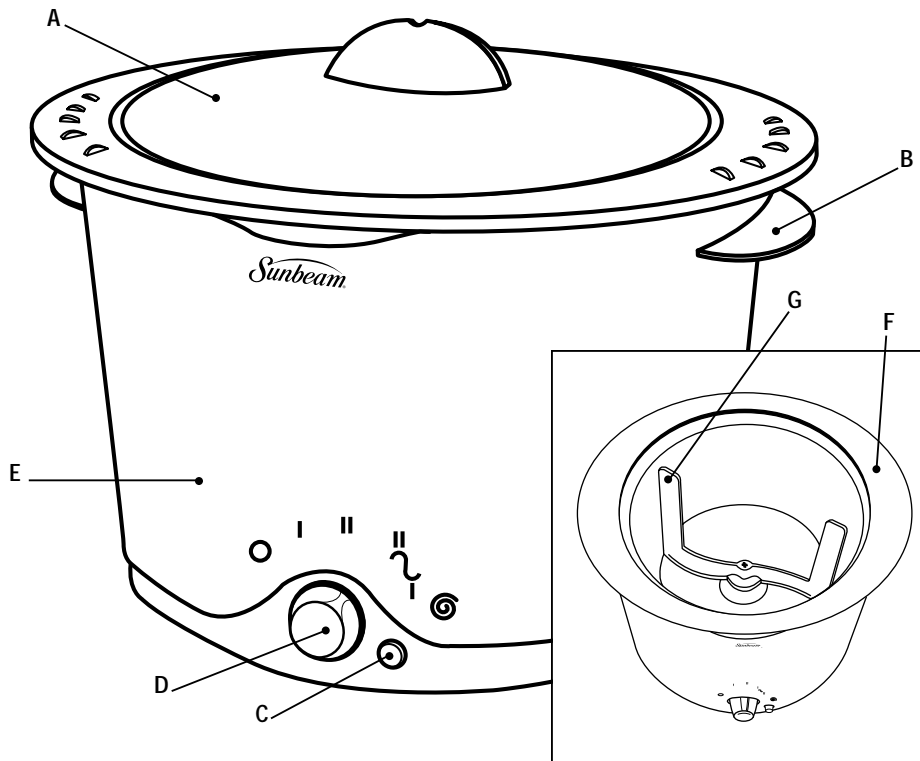
ESTE APARELHO SOMENTE PARA USO DOMÉSTICO

PARA PRODUTOS COMPRADOS SOMENTE NOS ESTADOS UNIDOS E CANADÁ

Este aparelho conta com um plug polarizado (*um dos contatos é mais largo do que outro*). Para evitar risco de choque elétrico, este plug encaixa-se somente em um plug unidirecional polarizado. Se o plug não se encaixar totalmente dentro da tomada, inverta o mesmo. Se ainda assim não encaixar, contate um eletricitista competente. Não tente desativar este recurso de segurança.

GUARDE ESTAS INSTRUÇÕES

CONHEÇA A SUA PAINEL PARA COZIMENTO LENTO



A. Tampa

B. Cabos

C. Botão do Girador
(em alguns modelos)

D. Botão de Controle

E. Base

F. Recipiente Removível

G. Girador Automático
(em alguns modelos)

RECURSOS

PermaTherm™ Crock – o recipiente de cozinhar isolado é removível, resistente a quebras e pode ser lavado no lava-louça. Para retirar o recipiente da base, levante segurando pelos cabos laterais.

Botão de Controle – ajuste a temperatura colocando o botão de controle em Low (Baixa) ou High (Alta), dependendo do prato a ser preparado e do tempo de cozimento desejado. Quando não estiver em uso, o botão de controle deve estar na posição de "Off" (Desligado).

Auto Low (Baixa Automática) – disponível em alguns modelos para cozinhar os alimentos na temperatura Alta (High) e a seguir mudar automaticamente para a temperatura Baixa (Low), pelo tempo restante do ciclo de cozimento.

Tampa Transparente – ajusta-se perfeitamente ao recipiente para manter a umidade e o calor e facilitar a visualização dos alimentos. A tampa pode ser lavada com segurança na parte superior do lava-louça.

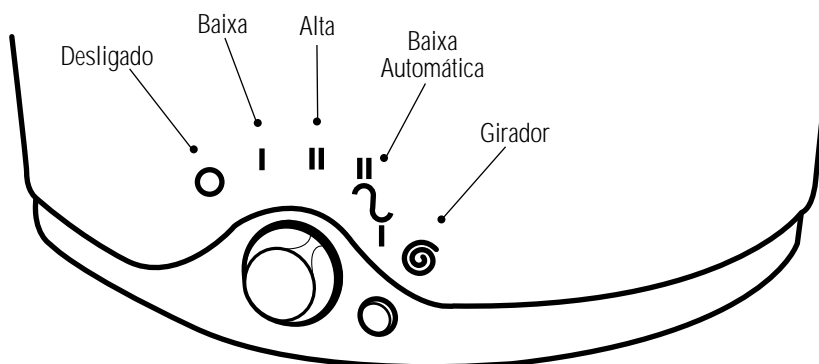
Elementos de Aquecimento – envolvem todo o recipiente para aquecer os alimentos de forma uniforme e por completo.

Girador (em alguns modelos) – o girador automático gira na parte inferior e nas laterais do recipiente, misturando de forma consistente os alimentos e os temperos, para realçar o sabor e facilitar a limpeza. O girador é removível e pode ser lavado no lava-louça.

Botão do Girador [symbol] (em alguns modelos) – pressione o botão para ativar o mecanismo de giro; pressione novamente para desligá-lo.

COMO USAR A PANELA PARA COZIMENTO LENTO DA SUNBEAM®

- Antes de usar pela primeira vez, lave o recipiente, a tampa e o girador (*em alguns modelos*) em água morna com sabão; enxágüe e seque. **NOTA:** não coloque a base da panela em água.
- Prepare a receita de acordo com as instruções e coloque os ingredientes no recipiente.
- Coloque o recipiente na base. Deixe os cabos do recipiente alinhado com os cabos da base.
- Ligue o cabo em uma tomada de 120 volts.
- Gire o botão para a temperatura Baixa (Low), Alta (High) ou Baixa Automática (Auto Low). (*em alguns modelos*)



As receitas geralmente recomendam utilizar a temperatura Baixa ou Alta; entretanto, o ajuste pode ser feito baseado na disponibilidade de tempo de cozimento. Normalmente é recomendado usar a temperatura Baixa ("Low") para cozimentos que levam "todo o dia". Uma hora na temperatura Alta ("High") corresponde a um pouco mais de 2 horas na Baixa ("Low"). Se ajustar para "Auto Low" (Baixa Automática), o cozimento inicia na temperatura Alta (High) e após 1:30 a 2 horas, muda automaticamente para a Baixa (Low), para o tempo restante de cozimento.

NOTA: ao usar o modo "Auto Low", o botão de controle permanece na posição "Auto Low" e depois não se move, mesmo quando a temperatura mudar de Alta (High) para Baixa (Low). O modo "Auto Low" é ideal quando não se sabe ao certo o tempo de cozimento.

- Durante o cozimento, o recipiente deve estar tampado, exceto se a receita indicar o contrário.
- Se desejado, ative o girador automático pressionando o botão do girador (*em alguns modelos*). Se não quiser o giro, desligue-o e retire o girador do recipiente.
- Quando o cozimento terminar, coloque o controle em "OFF" (desligado).
- Retire o alimento do recipiente. Se desejar, o recipiente pode ser usado para ir à mesa; basta levantá-lo da base segurando pelos cabos. O material PermaTherm™ do recipiente ajudará a manter os alimentos quentes, mesmo após a retirada da panela.
- O recipiente pode ser usado para guardar alimentos no refrigerador. O material PermaTherm™ permite levar os alimentos da geladeira para o recipiente e novamente para a geladeira, sem danificar o recipiente nem a base.
- Quando a Panela para Cozimento Lento não estiver sendo utilizada, mantenha o botão de controle e o acionador desligados.

LIMPEZA DA PANELA PARA COZIMENTO LENTO

- Verifique se o botão de controle está desligado ("OFF"). Retire o plugue da tomada.
- Para lavar o recipiente, a tampa e o girador, retire os componentes da base e lave-os em água quente com sabão, ou coloque-os no lava-louça. Para facilitar a limpeza, deixe-os de molho em água morna.
- Para limpar a base da Panela para Cozimento Lento, passe um pano úmido na parte exterior.
- Nunca use produtos abrasivos ou produtos químicos.
- Nunca coloque a base da Panela para Cozimento Lento em água ou em outros líquidos.

COMO USAR O GIRADOR (EM ALGUNS MODELOS)

Para ativar o girador, pressione o botão do girador que está próximo ao botão de controle. Após alguns segundos, o girador começa a se mover no sentido horário ou no anti-horário. Se ficar obstruído, ele pára por alguns segundos e a seguir, começa a girar no sentido inverso. O girador pode ser desligado ou ligado a qualquer momento, durante ou após o ciclo de cozimento. Se não for necessário girar os alimentos, pressione o botão de giro para desligar o girador. Ou então, retire-o do recipiente, puxando pelo centro.

DICAS PARA COZIMENTO LENTO

Para melhores resultados quando cozinhar com a Panela para Cozimento Lento, siga as seguintes recomendações:

- Para obter os melhores resultados, a quantidade de alimentos deve ficar, no mínimo, até a metade do recipiente.
- A Panela para Cozimento Lento foi fabricada para cozinhar alimentos por um período prolongado de tempo. A maioria das receitas não altera a consistência e sabor dos alimentos se forem cozidos por uma hora extra na temperatura Baixa (Low) ou na Baixa Automática (Auto Low).
- Certos alimentos não devem ser cozidos por um longo período; por exemplo, laticínios, massas e arroz devem ser acrescentados nas 2 últimas horas do ciclo de cozimento.
- Ao cozinhar vegetais com carne, coloque primeiro os vegetais.
- Ao cozinhar alimentos congelados, aumente o tempo de cozimento de acordo.
- Ao preparar carne, adicione uma pequena quantidade de água na Panela para Cozimento Lento para manter a maciez da carne. A quantidade de água é proporcional à gordura, portanto, com carnes magras, use mais água. Ao cozinhar em temperatura Baixa (Low), que faz pouca evaporação, use menos líquido.
- Os pedaços grandes de carne e vegetais cozinham mais rápido se cortados em pequenos pedaços.
- Se a receita, durante o cozimento, juntar muito líquido, retire e tampa e regule a Panela para Cozimento Lento para a temperatura Alta (High), até o líquido evaporar.
- Algumas receitas recomendam fritar a carne antes do cozimento lento; isto não é necessário, porém pode dar uma cor dourada à carne. Se fizer carne ensopada, doure-a antes de colocá-la na Panela para Cozimento Lento para a carne manter o seu caldo natural.
- Se precisar engrossar a carne ensopada, use a temperatura alta da Panela para Cozimento Lento e misture um pouco de farinha e água, mexendo até que o caldo engrosse.
- Para obter melhores resultados com a Panela para Cozimento Lento, sempre acrescente por último os ingredientes líquidos e molhos.

GARANTIA LIMITADA DE 2 ANOS

A Sunbeam Products Inc. concede garantia ao comprador original, sujeita às limitações e exclusões estipuladas abaixo, de que este produto não apresentará fisicamente defeitos mecânicos e elétricos devido ao material ou mão de obra, durante dois anos a partir da data de compra. Esta garantia não cobre o gasto normal das peças ou os danos devidos às seguintes causas: uso negligente ou inadequado do produto, uso de voltagem ou corrente inapropriada, uso que contrarie as instruções operacionais, ou desmontagem, reparo ou alteração realizada por pessoa que não pertença ao quadro de profissionais do centro de assistência técnica autorizada.

A nossa obrigação abaixo durante o período de garantia, é limitada ao conserto ou substituição do produto por uma unidade nova ou restaurada, ou um modelo semelhante de qualidade tão boa ou superior, à opção do fabricante, contanto que o produto, junto com o número de modelo e prova de compra original datada, seja enviado com taxa postal paga, diretamente para o seguinte endereço: Para produtos comprados nos Estados Unidos:

Para produtos comprados nos Estados Unidos:

**SUNBEAM APPLIANCE SERVICE STATION
Attention: Service Department
117 Central Industrial Row
Purvis, MS 39475**

Para produtos comprados no Canadá:

**SUNBEAM CANADA CORP., LTD.
c/o Service Tek
Por chamado de favor 1-800-667-8623 ou email nos
consumeraffairs@consumer.sunbeam.com**

Não devolva o produto ao local de compra ou ao fabricante; se o fizer poderá atrasar o seu processo de reivindicação de garantia.

No caso de dúvidas sobre a garantia ou para saber o local do nosso serviço autorizado mais próximo poderá ligar grátis para 1-800-597-5978 ou escrever para: Sunbeam – Consumer Affairs, P.O. Box 948389, Maitland, FL 32794-8389. No caso de dúvidas sobre a garantia ou para saber o local do nosso serviço autorizado mais próximo no Canadá poderá ligar grátis dentro do Canadá para 1-800-667-8623. Para informação sobre garantia fora dos Estados Unidos ou do Canadá queira procurar o telefone e endereço no cartão de serviço de garantia incluído na embalagem do produto.

EXONERAÇÃO DE RESPONSABILIDADE

De acordo com esta garantia, o cliente tem como único recurso jurídico o reparo ou a substituição do produto. **A SUNBEAM PRODUCTS INC. NÃO SERÁ RESPONSÁVEL POR QUALQUER DANO INCIDENTAL OU QUE OCORRA COMO CONSEQUÊNCIA DA VIOLAÇÃO DOS TERMOS EXPLÍCITOS OU IMPLÍCITOS DA GARANTIA DESTE PRODUTO OU DE QUALQUER PARTE DESTE. SALVO NO QUE FOR PROIBIDO PELA LEI PERTINENTE, A SUNBEAM PRODUCTS, INC. EXONERA-SE DA RESPONSABILIDADE DE QUAISQUER GARANTIAS IMPLÍCITAS DE PODER DE VENDA OU DE ADEQUAÇÃO PARA UM DETERMINADO FIM DESTE PRODUTO OU DE QUALQUER PARTE DESTE.** Alguns estados e províncias não permitem a exclusão ou limitação de danos incidentais ou consequenciais, nem permitem limitações sobre o tempo de duração de uma garantia implícita, portanto as limitações ou exclusões citadas acima poderão não ser pertinentes ao caso do cliente. Esta garantia concede direitos jurídicos específicos ao cliente, entretanto este poderá ter outros direitos que poderão variar de acordo com o estado e a província em questão.

Sunbeam®

©1999 Sunbeam Corporation or its affiliated companies. All rights reserved.
SUNBEAM® is a registered trademark of Sunbeam Corporation or its affiliated companies.
PERMATHERM™ is a trademark of Sunbeam Corporation or its affiliated companies.
Distributed by Sunbeam Products Inc., Delray Beach, Florida 33445, or an affiliated company.

©1999 Sunbeam Corporation ou ses sociétés apparentées. Tous droits réservés.
SUNBEAM® est une marque de commerce de Sunbeam Corporation ou de ses sociétés apparentées.
PERMATHERM™ est une marque de Sunbeam Corporation ou de ses sociétés apparentées.
Distribué par Sunbeam Products Inc., Delray Beach, Florida 33445, ou une société affiliée.

©1999 Sunbeam Corporation o sus corporaciones afiliadas. Todos los derechos reservados.
SUNBEAM® es una marca registrada de Sunbeam Corporation o de sus compañías afiliadas.
PERMATHERM™ es una marca de Sunbeam Corporation o de sus compañías afiliadas.
Distribuido por Sunbeam Products Inc., Delray Beach, Florida 33445, o alguna compañía afiliada.

©1999 Sunbeam Corporation ou suas empresas afiliadas. Todos os direitos reservados.
SUNBEAM® é uma marca registrada da Sunbeam Corporation, ou de suas empresas afiliadas.
PERMATHERM™ é uma marca da Sunbeam Corporation, ou de suas empresas afiliadas.
Distribuído por Sunbeam Products Inc., Delray Beach, Florida 33445, ou uma empresa afiliada.



U.S. Patent Pending

P.N. 100208

Free Manuals Download Website

<http://myh66.com>

<http://usermanuals.us>

<http://www.somanuals.com>

<http://www.4manuals.cc>

<http://www.manual-lib.com>

<http://www.404manual.com>

<http://www.luxmanual.com>

<http://aubethermostatmanual.com>

Golf course search by state

<http://golfingnear.com>

Email search by domain

<http://emailbydomain.com>

Auto manuals search

<http://auto.somanuals.com>

TV manuals search

<http://tv.somanuals.com>