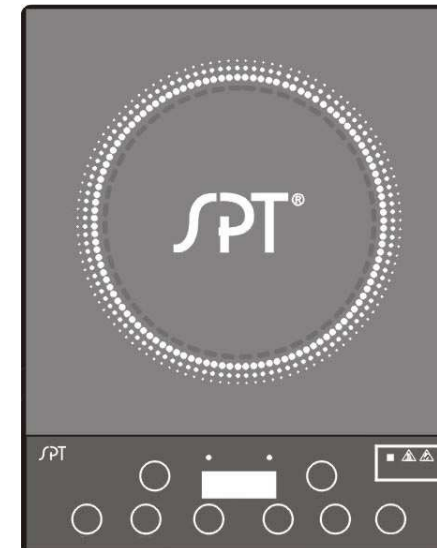




Micro-Computer Radiant Cooktop

RR-9215



INSTRUCTION MANUAL

Thank you for your purchase.

Please read thoroughly before initial use and keep in a safe place for future reference.

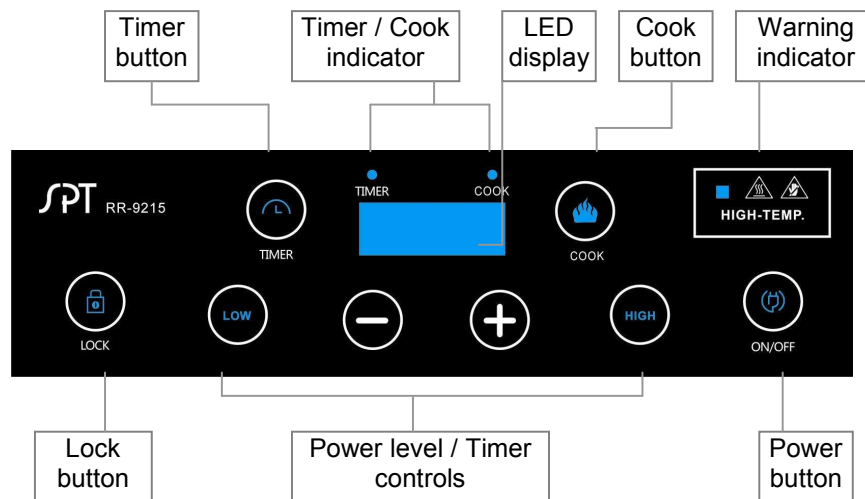
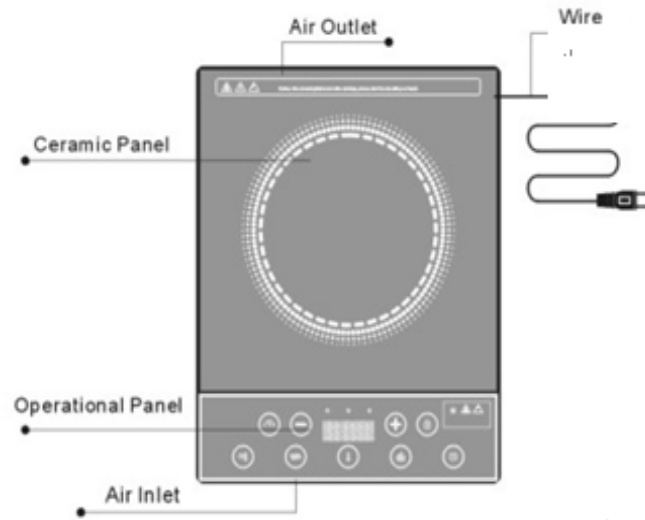
IMPORTANT SAFEGUARDS

- Read all instructions.
- Do not touch hot surfaces
- To protect against electrical shock, do not immerse cord or appliance in water or any other liquid.
- Close supervision is necessary when any appliance is used by or near children.
- Unplug from outlet when not in use and before cleaning.
- Do not operate any appliance with a damaged cord or plug; or after the appliance malfunctions or has been damaged in any way. Return appliance to the Sunpentown for examination, repair or adjustment.
- The use of accessory attachments not recommended by the manufacturer may cause injuries.
- Do not use outdoors.
- Do not allow cord to hang over the edge of table or counter; or touch hot surfaces.
- Do not place on or near a hot gas or electric burner, or in a heated oven.
- Do not use appliance for anything other than intended use.
- Use of an extension cord is not recommended. If needed, use an extension cord of 14 gauges on diameter not longer than 10 feet.

INDEX

Index.....	2
Structure description & function.....	3
Operation.....	4
Timer.....	4
Lock.....	4
Key points before use.....	5
Selecting the proper cookware.....	6
Care and maintenance.....	6
Specifications.....	6
Trouble shooting.....	7
Warranty	

STRUCTURE DESCRIPTION & FUNCTION



3

OPERATION

8 power levels (wattage): 100, 300, 500, 700, 900, 1100, 1300, 1500.

1. Plug power cord to power source and place cookware centered on cooktop. (Once power is connected, the LOCK button will illuminate).
2. To turn on, press LOCK followed by ON/OFF button. If ON/OFF is not pressed within 30 seconds, unit will return to locked mode.
3. Press + or - button to set cooking level; press LOW button to jump to lowest setting (100W) or press HIGH button for highest setting (1500W).

Note: Factory default setting is at 900W.

CAUTION: When the Warning indicator is on, the ceramic plate is extremely hot – DO NOT TOUCH.

TIMER SETTING

1. Press TIMER button.
2. Press + or - button to set cooking time.
 - Each single press is increment of 1 minute.
 - Press and hold for increments of 10 minutes.
 - Press LOW button to jump to 1 minute on the timer
 - Press HIGH button to jump to the maximum 8 hours.
 - Note: factory default is 2 hours.

LOCK BUTTON

1. Press LOCK button to lock in settings.
 - When locked, display will jump between time left and setting.
 - No changes can be made (level or time).
2. Press LOCK button again to unlock.

4

KEY POINTS

- When the Warming indicator is on, this means the ceramic plate is extremely hot, DO NOT TOUCH.
- Cooker will automatically shut-off after 2 hours of inactivity (when not set on timer).
- Place cooktop on flat surface, but keep a clearance of 4 inches all around for proper ventilation. If air inlet or outlet is blocked, the internal temperature will rise and cause unit to overheat and shutoff during cooking.
- Never power on unit without cookware. May cause ceramic plate to overheat and crack.
- Keep away from water source. Never immerse unit in water or clean under running water.
- Do not place paper or cloth in between the cooktop and cookware.
- To prevent damage to your cookware, do not heat an empty pan.
- Do not place one cooktop on top of another.
- Do not place on or near a hot gas or electric burner or in a heated oven. If the surrounding temperature is high, unit will shut off.
- Do not use cookware consisting of inferior enamel, synthetic material, china or aluminum. DO NOT USE PLASTIC WRAP.
- Never heat an unopened can on the cooktop as it may explode.
- Plug cooktop in a dedicated 15-amp outlet. Do not share the outlet with other appliances.
- Do not damage the ceramic plate. Be careful not to drop anything onto the ceramic plate. If the plate is broken or cracked, stop using immediately. Turn unit off and unplug.
- Deep-fry is prohibited.
- This cooktop is not intended for use by persons (including children) with reduced physical sensory or mental capabilities; or lack of experience and knowledge, unless supervised by person responsible for their safety.

SELECTING THE PROPER COOKWARE

- This radiant cooktop is not selective with cookware. However, cookware with a flat bottom and matte finish will have the best heat conductivity.
- It is not suggested to use pressure cooker on the cooktop. If you do use one, please use with caution.

CARE & MAINTENANCE

- Unplug unit from power source.
- Wipe ceramic plate and exterior surface with a soft damp cloth. If excessively dirty, soak cloth in a mild detergent and water mixture.

SPECIFICATIONS

Model	RR-9215
Voltage	120V~ / 60Hz
Power consumption	1500W (max)
Dimension	12.25 L x 15.5 W x 2.75 H in.
Weight	6.6 Lbs
Power range	100 ~ 1500 W
Cord length	4ft

TROUBLESHOOTING / ERROR CODES

PROBLEM	CHECK POINTS
Unit is plugged in but power indicator does not come on	<ul style="list-style-type: none"> ▪ Is cooktop firmly plugged into a correct outlet? ▪ Was there a power shortage?
Power indicator is lit but not heating	<ul style="list-style-type: none"> ▪ Please contact Sunpentown
Error code: E2	<ul style="list-style-type: none"> ▪ Unstable voltage detected, please wait until voltage returns to normal.
Error code: E4	<ul style="list-style-type: none"> ▪ Blown fuse, please contact Sunpentown.
Error code: E5	<ul style="list-style-type: none"> ▪ Internal temperature is too high. Please check if fan is running; if ambient temperature is high; or if air inlet or outlet is blocked.
Unit suddenly stops heating during normal operation	<ul style="list-style-type: none"> ▪ Check if unit reached set timer. ▪ Unit has been operating and idle for 2 hours. Safety feature automatically shuts unit off after 2 hours with no setting changes. ▪ Is the Display indicating any of the above error code?

This device complies with part 15 of the FCC rules. Operation is subject to the following two conditions:
 (1) this device may not cause harmful interference, and
 (2) this device must accept any interference received, including interference that may **cause undesired operation**.

CAUTION: Changes or modifications not expressly approved by the party responsible for compliance could void the user's authority to operate the equipment.

NOTE: This equipment has been tested and found to comply with the limits for a consumer ISM equipment, pursuant to Part 18 of the FCC Rules. These limits are designed to provide reasonable protection against harmful interference in a residential installation. This equipment generates, uses, and can radiate radio frequency energy and, if not installed and used in accordance with the instructions, may cause harmful interference to radio communications. However, there is no guarantee that interference will not occur in a particular installation. If this equipment does cause harmful interference to radio or television reception, which can be determined by turning the equipment off and on, the user is encouraged to try to correct the interference by one or more of the following measures:

- Reorient or relocate the receiving antenna.
- Increase the separation between the equipment and receiver.
- Connect the equipment into an outlet on a circuit different from that to which the receiver is connected.
- Consult the dealer or an experienced radio TV technician for help.



Your Guarantee

If this product is found to be faulty as a result of faulty materials or workmanship within one year from date of purchase, it will be repaired free of charge.

This guarantee is subject to the following terms:

- Sunpentown must be notified of the fault.
- Proof of purchase must be presented to Sunpentown's nominated representative.
- The warranty will be void if the product is modified, misused or repaired by an unauthorized person.
- The warranty after repair will not be extended beyond the original one-year period.
- All replacement parts will be new or reconditioned.
- Parts, which are replaced, become the property of Sunpentown.
- The warranty applies for the use of the product in the USA only.

What is NOT COVERED:

- Warranty does not include freight charges.
- Incidental or consequential damage caused by possible defects with this product.
- Damage to product caused by improper power supply voltage, accident, fire, floods or acts of nature.
- Failure of product resulting from unauthorized modifications to the product.
- Improper installation or failure to perform the necessary maintenance.

This GUARANTEE is in addition to your Statutory Rights

SUNPENTOWN INTERNATIONAL INC.

1-800-330-0388

service@sunpentown.com

www.sunpentown.com

Free Manuals Download Website

<http://myh66.com>

<http://usermanuals.us>

<http://www.somanuals.com>

<http://www.4manuals.cc>

<http://www.manual-lib.com>

<http://www.404manual.com>

<http://www.luxmanual.com>

<http://aubethermostatmanual.com>

Golf course search by state

<http://golfingnear.com>

Email search by domain

<http://emailbydomain.com>

Auto manuals search

<http://auto.somanuals.com>

TV manuals search

<http://tv.somanuals.com>