

# GUARDIAN<sup>®</sup>

## *Guardian*<sup>®</sup> Full-Length, Clamp-on Telescoping Rails

### User Instructions

Model IC-6623

#### **⚠ WARNING**

**RISK OF SERIOUS INJURY.** When using side rails, only use side rails that can be positioned so that the gap between the side rails is large enough that the trunk and hips can easily pass through it. Make sure when raising the bed, head section or foot section does not create any of the previously described gaps.

#### **⚠ WARNING**

**RISK OF SERIOUS INJURY OR DEATH.** If side rail is used, follow guidelines in rail User's Manual. Use of side rail can expose patient to risk of suffocation if head becomes trapped between mattress and side rail.

#### **⚠ WARNING**

**POSSIBLE INJURY.** Make sure side rails are secured properly before using bed.

#### **⚠ WARNING**

**RISK OF SERIOUS INJURY.** Individuals with physical limitations who cannot prevent themselves from rolling or climbing out of the bed may require other means of safe positioning.

#### **⚠ WARNING**

**POSSIBLE DAMAGE OR INJURY.** Do not use the side rails as handles when moving the bed.

#### **⚠ WARNING**

**POSSIBLE DAMAGE OR INJURY.** Side rails do not fall within any weight limitations and may be damaged if excessive pressure is placed on them. Side rails are for the purpose of aiding in turning and repositioning within the bed and are not intended to be used for restraint purposes.

### **⚠️ WARNING**

**RISK OF SERIOUS INJURY OR DEATH.** When using side rails, use a mattress thick enough and wide enough so that the gap between the top of the mattress and the bottom of the side rails and the gap between the side of the mattress and the side rails is small enough to prevent a patient from getting his or her head or neck between the mattress and the side rail. Assure that articulating the bed, head section or foot section does not create any hazardous gaps. Failure to do so could result in injury or possible suffocation.

### **⚠️ WARNING**

**RISK OF SERIOUS INJURY OR DEATH.** When using side rails, only use side rails that can be positioned so that the gap between the headboard or foot board and the side rails is small enough to prevent a patient from getting his or her head or neck between the mattress and the side rail or large enough that the trunk and hips can easily pass through it. Assure that articulating the bed, head section or foot section does not create any hazardous gaps. Failure to do so could result in injury or possible suffocation.

### **⚠️ WARNING**

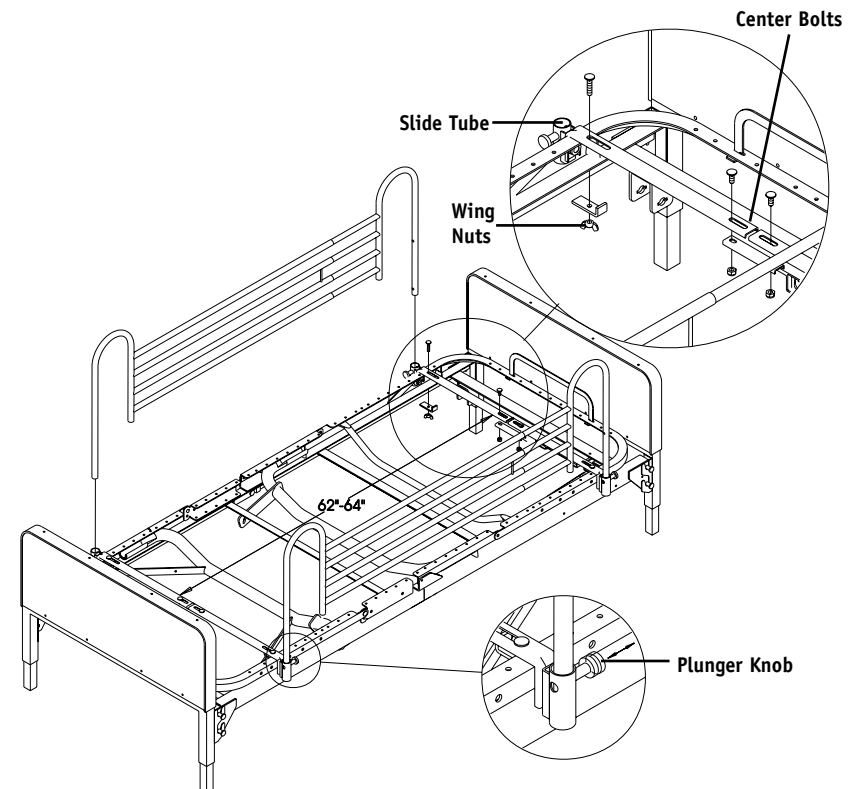
**RISK OF SERIOUS INJURY OR DEATH.** When using side rails, only use side rails in which any gaps between the rail body members are small enough to prevent a patient from getting his or her head or neck inside the rail body. Failure to do so could result in injury or possible suffocation.

### **⚠️ WARNING**

**RISK OF SERIOUS INJURY.** When using multiple side rails on one or both sides of the bed, only use side rails that can be positioned so that the gap between the side rails is large enough that the trunk and hips can easily pass through it. Assure that articulating the bed head section or foot section does not create any hazardous gaps.

### **ASSEMBLY INSTRUCTIONS (FIGURE 1)**

1. Remove the mattress from the bed.
2. Place the bed in the flat position.
3. Measure the width of the bed frame. Attach the two crossbrace assemblies together.
4. Place the assembled crossbrace on the bed frame. Attach clamps as shown and tighten wing nuts until secure. Prevent the lock nut from contacting the bed frame.
5. Once the crossbrace is adjusted properly, tighten the center bolts and nuts.
6. Repeat steps 3-5 for other crossbrace. Ensure the other crossbrace is between 62" to 64" apart as shown.
7. The slide tube can be rotated with the locking knob on the right or left by rotating the slide. The bed rail can be adjusted higher or lower based on your rail height preference.
8. Insert the rail into the slide tubes. Pull the plunger knob to adjust the rail height.



**Figure 1**

## OPERATING INSTRUCTIONS (FIGURE 2)

1. Hold the rail securely, then pull the plunger knob.
2. Lower or raise the rail to desired height, then release the knob until the rail locks into the appropriate rail adjusting hole.
3. Ensure that head-end and foot-end of bed rails are adjusted to the same height prior to use.

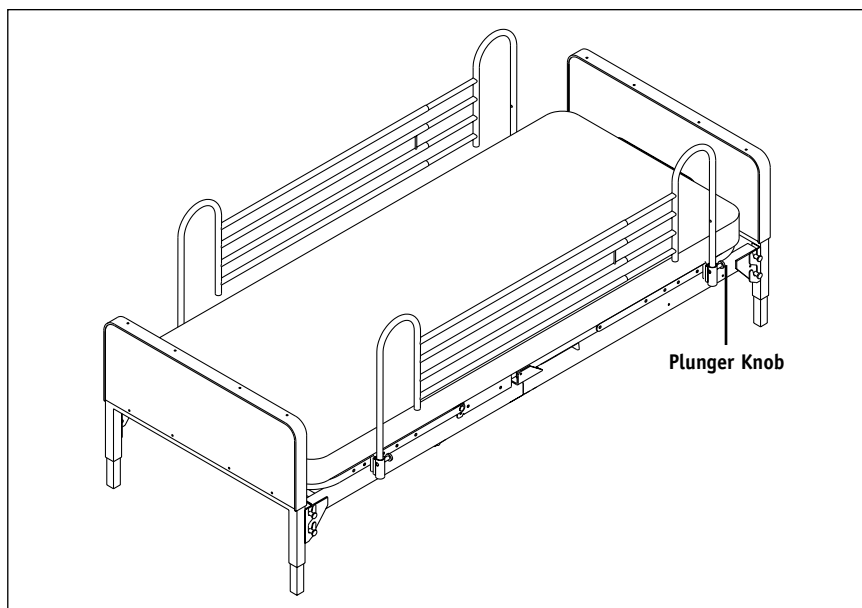


Figure 2



Manufactured for:  
**Sunrise Medical, Inc.**  
7477 East Dry Creek Parkway  
Longmont, Colorado 80503

[www.sunrisemedical.com](http://www.sunrisemedical.com)  
Phone: (303) 218-4500  
Toll Free Phone: (800) 333-4000  
In Canada: (800) 263-3390

## Free Manuals Download Website

<http://myh66.com>

<http://usermanuals.us>

<http://www.somanuals.com>

<http://www.4manuals.cc>

<http://www.manual-lib.com>

<http://www.404manual.com>

<http://www.luxmanual.com>

<http://aubethermostatmanual.com>

Golf course search by state

<http://golfingnear.com>

Email search by domain

<http://emailbydomain.com>

Auto manuals search

<http://auto.somanuals.com>

TV manuals search

<http://tv.somanuals.com>