

GUARDIAN[®]

Guardian[®] Easytrack System Bath Base Kit Assembly

Model 900-0880

Installation & Instruction Manual

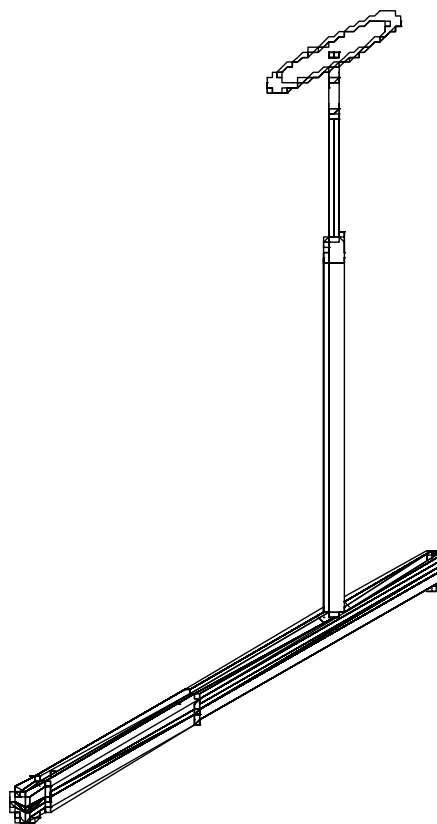


TABLE OF CONTENTS

Introduction	2
Important Safeguards	3
Requirements	4
Kit Contents & Part Numbers	5
Assembly of Bath Base Kit	5
Bath Base Kit Specifications	8
Maintenance	8
Easytrack Products & Accessories	10
Warranty	11

⚠ WARNING

This manual contains important safety and maintenance instructions. Please read it carefully before using your Easytrack System and refer to it as often as needed for safe and efficient use.

If you have questions regarding the safe use and/or assembly, maintenance or specifications of your Easytrack System, you should call Customer Service at 800-333-4000, 303-218-4600 or from Canada at 800-263-3390.

For service and repair, remember your authorized Sunrise supplier is able to provide the assistance you need.

Save this manual for future reference.

SUNRISE LISTENS

Thank you for choosing a Guardian Easytrack System. We want to hear your questions or comments about this manual, the safety and reliability of your Easytrack System and the service you receive from your Sunrise Medical Supplier. Please feel free to write or call us at the address and telephone number below:

Sunrise Medical
Customer Service Department
7477 East Dry Creek Parkway
Longmont, Colorado 80503
(303) 218-4600 or (800) 333-4000

FOR ANSWERS TO YOUR QUESTIONS

Your authorized supplier knows your Easytrack System best and can answer most of your questions about its safety, use and maintenance. For future reference, fill in the following:

Supplier: _____

Address: _____

Telephone: _____

Serial #: _____

Date Purchased: _____

IMPORTANT SAFEGUARDS

⚠ WARNING

Do not operate this equipment without first reading and understanding this manual.

⚠ WARNING

Should you be unable to understand the warnings, cautions and instructions, contact our technical support or your local dealer before attempting to use this equipment— otherwise injury or damage may result.

Important information is highlighted by these terms:

⚠ WARNING— Notices as used in the manual apply to hazards or unsafe practices which could result in serious bodily harm.

CAUTION— Notices as used in this manual apply to hazards or unsafe practices, which could result in minor personal injury or property damage.

NOTES— Highlight procedures and contain information which assist the operator in understanding the information contained in this manual.

NOTE— The information contained in this document is subject to change without notice.

SAVE THESE INSTRUCTIONS AND KEEP WITH EASYTRACK AT ALL TIMES.

⚠ WARNING

The Easytrack System and its accessories are intended to be used as an assistive device for transferring a person between the posts. The Easytrack system is only to be used with the Guardian Voyager Portable lift.

⚠ WARNING

USE ONLY AS INTENDED - This product may cause serious injury if not installed and operated according to the instruction manual.

Failure to observe warnings listed below could result in serious injury.

Before You Install the Easytrack

⚠ WARNING

- Carefully inspect product upon arrival. If any pieces are missing or appear damaged, do not install. Contact your local supplier for further instructions.
- If you are unsure of the strength or stability of your floor and/or ceiling, do not install the Easytrack System - consult you local supplier.
- Easytrack can not be used with any type of suspended ceiling, including suspended drywall, acoustic tile, etc.
- Installation on a plaster ceiling may cause cracking. Sunrise Medical cannot be held responsible for damage.
- Do not install on a ceiling with water damage.
- Do not over-tighten ceiling plate as this may cause ceiling to crack.
- If flooring is not according to local building code standards, flooring may be damaged.
- Do not install on a sloped floor.
- Do not drop product; may cause breakage.
- Do not completely submerge in water.
- Do not attempt to over-extend the rail past the locking point.
- Do not install product if neoprene on top or bottom plate appears to be damaged or absent.

When the Easytrack is in Use

⚠ WARNING

- Do not hit posts - this might cause unit to become unstable. If posts are hit, reassemble Easytrack System to ensure the posts are straight.
- If you use a power wheel chair, use extreme care. Hitting posts may cause unit to become unstable. If posts are hit, reinstall the Easytrack System to ensure the posts are straight.
- Do not lean against posts.
- Do not use the Easytrack System as a swing.
- Refrain from swinging user sideways of rail.

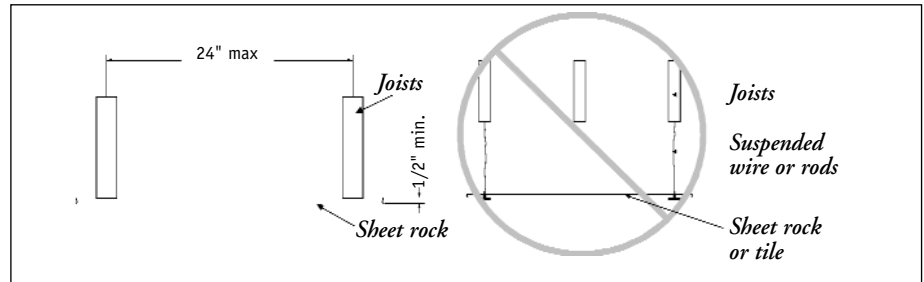
REQUIREMENTS

⚠ WARNING

Failure to meet requirements listed below could result in serious bodily harm.

Ceiling Requirements

- Install to a rigid ceiling (must have a framework above it).
- Must have a maximum of 24" (610mm) between the trusses in the ceiling.
- Ceiling must be made of wood or 1/2" (12.7mm) sheet rock or thicker.
- Ensure ceiling and floor are clear of any dust, grease, water or any foreign substance.



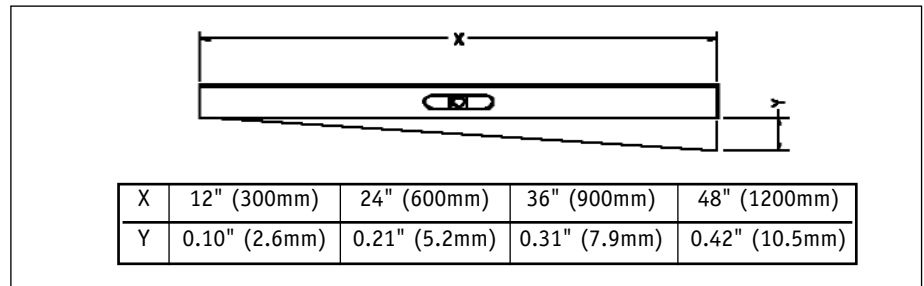
⚠ WARNING

A build-up of nicotine, grease or water on the ceiling will affect the integrity of the Easytrack System.

- Installing a post directly under a joist or truss is not required, but preferable.

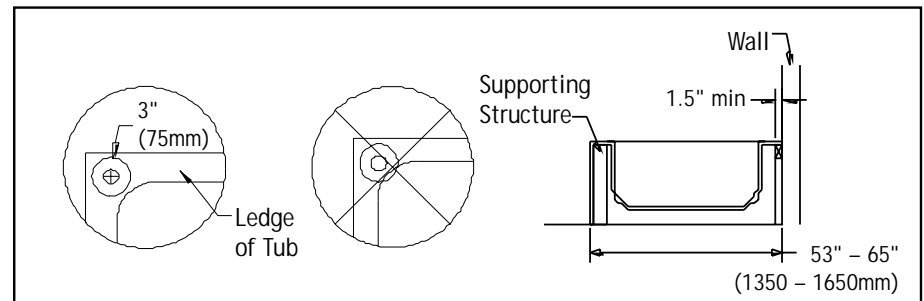
Floor Requirements

- Ensure flooring meets local building code standards. (Termites or water damage may affect the structure of the floor).
- Ensure floor is clear of any dust, grease, water or any foreign substance.
- Floor must not have a slope of more than 0.5°. See drawing below to determine the floor slope. Use a level or contact a contractor if unsure of floor slope.



Bath Requirements

- Ensure your tub is made of porcelain or metal and has sufficient structure underneath the tub to withstand the weight required (see drawing below). If you are unsure of the structural integrity of the tub, contact the manufacturer or a contractor to evaluate the structure.
- Ensure you have 3" of ledge space available on each end of the tub (see drawing). The round "foot" on the bath base must entirely be in contact with the tub ledge.
- The tub length must be between 53"-65" (1350-1650 mm).
- Any protrusion from the wall next to the tub must be removed to provide space for the post.
- A molded plastic tub with a protruding wall may obstruct the post or base if there is not a straight line between the corners of the tub.
- Tub must be clean of any soap or dust and must be dry before placing the tub base onto the tub. **DO NOT ATTEMPT TO INSTALL THE BATH BASE WITHOUT THOROUGHLY CLEANING AND DRYING THE SURFACE OF THE TUB.**
- Floor beneath the tub must be according to local building code standards. (Water damage or termites may affect the integrity of the floor or wall structure.)
- If you have any doubt with respect to the ceiling or bath structure, consider installing the Easytrack System with a wall mount. The wall mount must be installed by a licensed contractor.



⚠ WARNING

- Ensure posts are straight using the level provided; failure to do so may cause injury.
- Every month a maintenance check should be done to ensure all posts are level. (See "Maintenance" section in this manual).
- Make sure the padded surface of the top plate and foot plate are kept clean and are intact.
- Protect the Easytrack System and its accessories during transport.

**EASYTRACK BATH BASE KIT
KIT CONTENTS & PART NUMBERS
(FIGURE 1)**

Description	Part #	Qty
1 Bath base rail	N/A	1
2 Bath post	N/A	1
3 Blue locking handle	N/A	1
4 Round blue cap	900-0720	1
5 Allen key 6mm	900-3280	1
6 Top plate	900-0400	1
7 Flat blue cap	900-1050	1
8 Blue plastic strips (2/post)	900-0230	2
9 Blue bath base cover	N/A	1

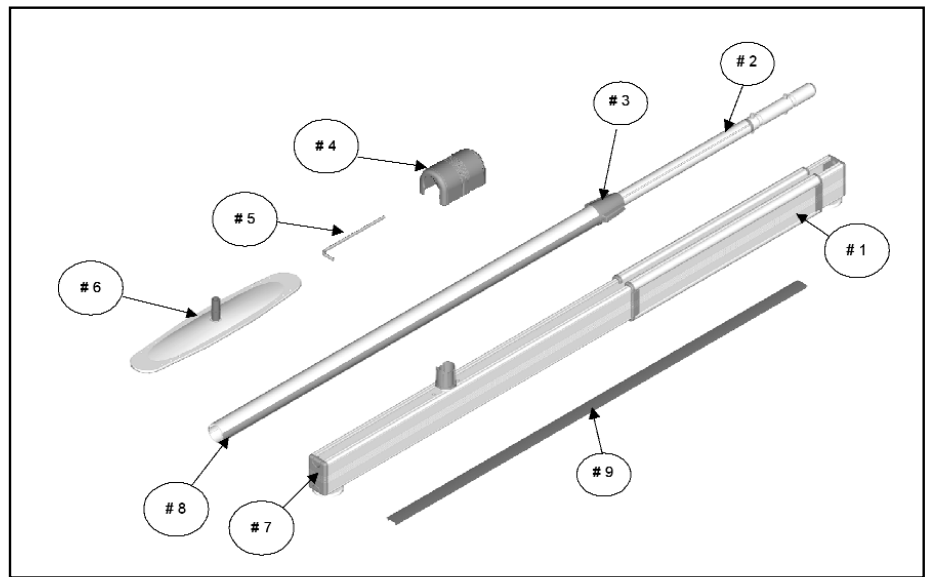


Figure 1

ASSEMBLY OF BATH BASE KIT

Tools Required:

- Step ladder
- Tape measure
- Scissors or knife
- An assistant

1. Take the bath base rail out of the box and place it on its supports or "feet".
2. Using 6mm Allen key, loosen the screws that hold the metal anchor to allow the rail to extend and retract freely to fit on your tub (Figure 2).
3. Using the same key, loosen the plastic post bath base so that it will slide easily (Figure 3).
4. Place the bath base rail on the edge of the tub next to the wall and extend the base so that it reaches each corner (Figure 4).
5. Slide the plastic post base so that it is approximately 16-18" from the end of the tub (Figure 5).

NOTE- Edge of the bath tub must be thoroughly cleaned and dried before placing the bath base on the tub. An Easytrack Bath Base that has been installed on an unclean or wet surface may cause injury or damage.

6. Once the bath base is in place, tighten the metal anchor inside with the allen key. **DO NOT OVER-TIGHTEN.**
7. Tighten the post base in place with the Allen key. **DO NOT OVER-TIGHTEN.** The post base should be snug and not able to slide once tightened.

NOTE- Round foot pads under the bath base must be in contact with the tub completely. The edge of the foot pad cannot be partially off the corner of the tub. See "Requirements" section.

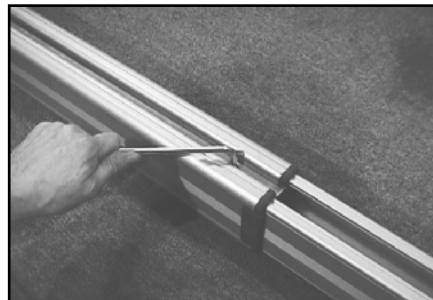


Figure 2

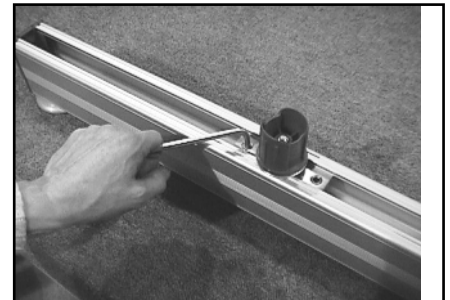


Figure 3



Figure 4

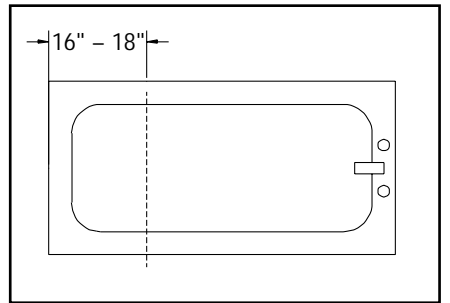


Figure 5

8. Measure the distance between the post base and the end of the bath base rail. Cut and install the blue bath base cover into the bath base rail by squeezing the sides of the strip into the edges of the rail (Figure 6).

NOTE- The plastic post base only slides on one end of the bath base. It may be necessary to turn the bath base rail around to place the plastic post base in the proper position.

9. Take the bath post and the top plate out of the box.
10. Place the top plate into the top of the post, press firmly and evenly downward until the top plate "clicks" into place (Figure 7).
11. Place the clip-on level on the post at about waist height (Figure 8).
12. Take the bath post and press it down onto the plastic post base. (Pay attention to the shape of the post and post base before pressing down onto the post base).
13. Extend the post quickly towards the ceiling by pulling the top portion and holding the bottom portion. The post should be within 3" (76 mm) to touching the ceiling. If the top of the post is more than 3" (76 mm) from the ceiling:
- Raise the top portion of the post slightly (Figure 9).
 - Press in metal pin on both sides of the post (Figure 10).

NOTE- Metal pins cannot be pressed in when there is downward pressure on them. Pressure must be released to press in pin.

- Pull top portion of post up towards the ceiling.
 - Repeat until the top of the post is less than 3" (76 mm) from the ceiling.
14. Lift the blue locking handle out of the lower portion of the post. Using the blue piece as a handle, twist the post as follows (Figure 11):
- Turn top portion counterclockwise.
 - Hold bottom portion firmly.
15. Before the Easytrack post tightens against the ceiling, check the clip-on level to make sure the bubble is in the center of the circle. Tilt the post until the bubble reaches the center of the circle (Figure 12).



Figure 6

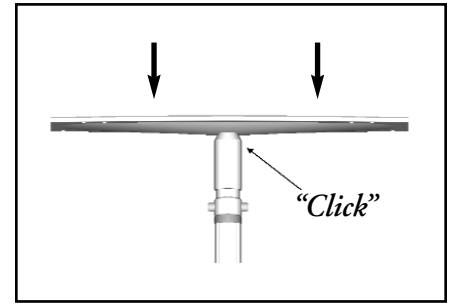


Figure 7



Figure 8



Figure 9

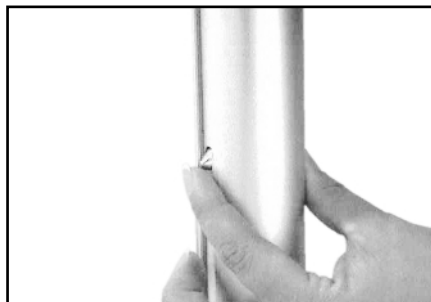


Figure 10

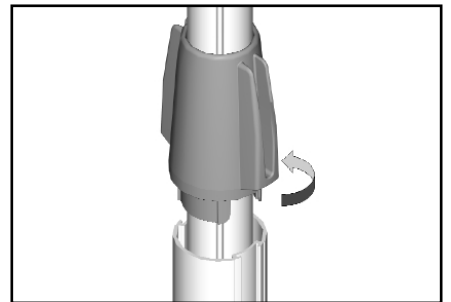


Figure 11

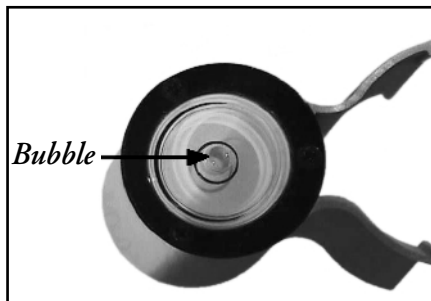


Figure 12

⚠ WARNING

Make sure clip-on level is fully attached to the post. Failure to attach level properly could give an incorrect reading. Level should "click" into place.

16. Once the bubble is in the center of the clip-on level, continue to tighten ONLY until the red zone at the top of the post is no longer visible (Figures 13-A & B).

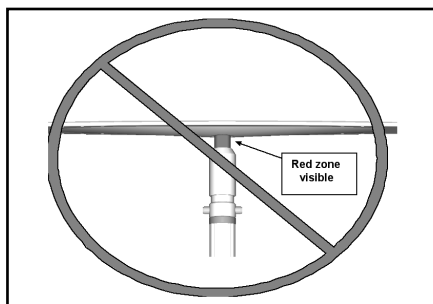


Figure 13-A

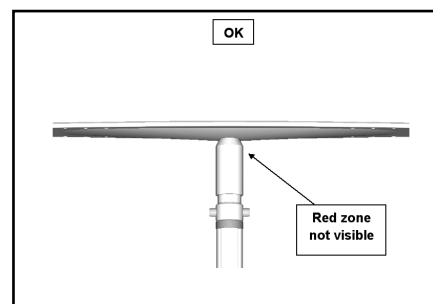


Figure 13-B

⚠ WARNING

Red zone must not be visible for the post to be safely secure.

⚠ WARNING

Do not over-tighten the post. Tighten only until red zone disappears. Overtightening of the post may cause damage to ceiling.

17. Remove the level from the post by sliding it up off the bottom portion of the post. Slide the blue locking handle down to fit into the bottom part of the post to lock the post in place (Figure 14).

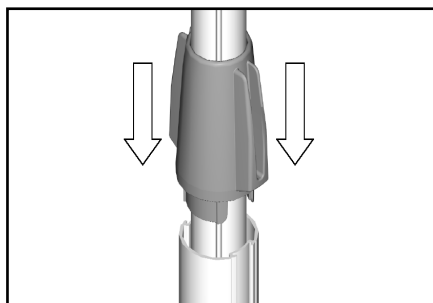


Figure 14



Figure 15

NOTE- Once the blue locking handle is pressed into the bottom portion of the post, the post can be turned as a whole, except the top and foot plate. This will not lower the post. The post must turn to enable you to attach the rail.

18. Place the rail onto the pins of the bath post (Figure 15). Refer to the drawing to find out which set of pins to use to hang the rail.
 - a. For the 2-post assembly, use the higher set of pins (Figure 16).
 - b. For 3-post assembly with the bath bracket installed on pivoting rail, use the lower set of pins (Figure 17).

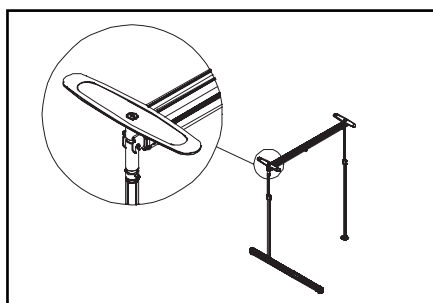


Figure 16

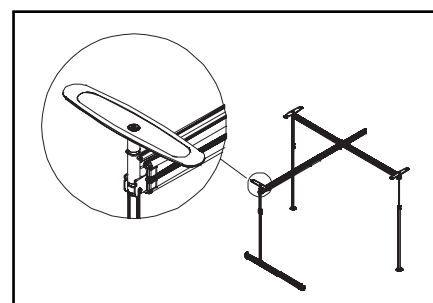


Figure 17

19. Place one round blue cap on the top of the post (Figure 18).
20. Slide the blue plastic strips into the slides of the posts by pinching the strip on each side to press it into the grooves. Start at the bottom of the posts (Figure 19).

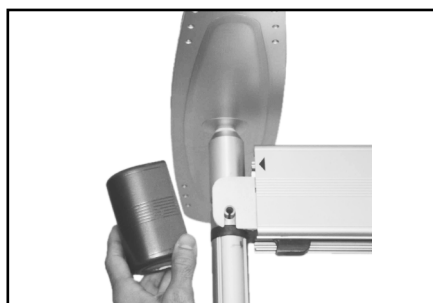
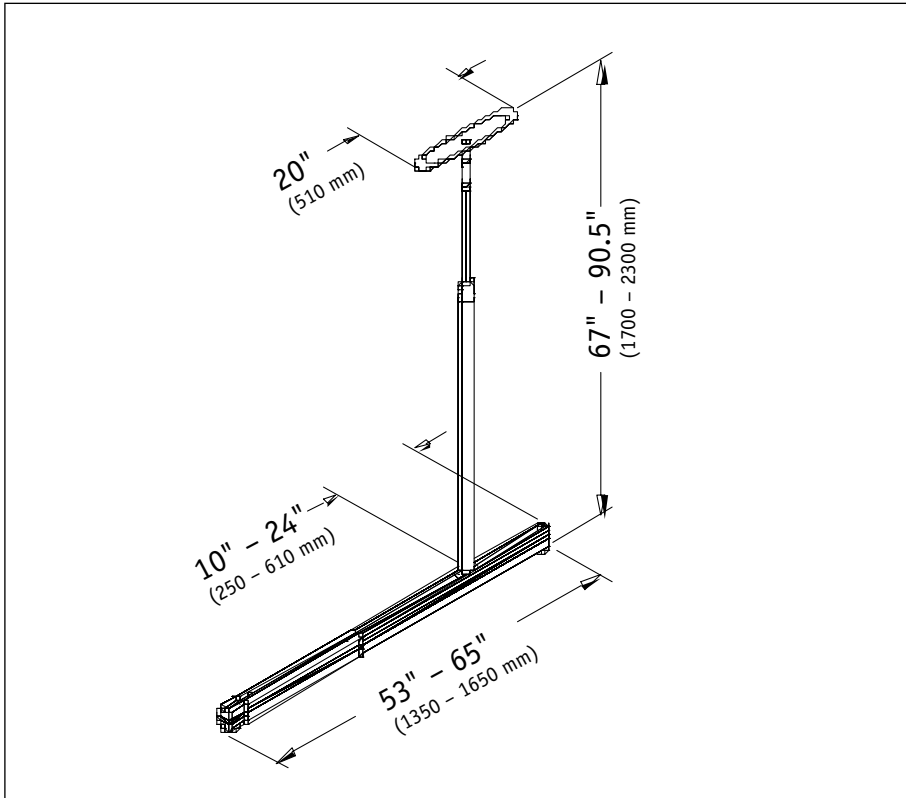


Figure 18



Figure 19

BATH BRACKET SPECIFICATIONS

Item Number	900-0880
Weight Capacity	440lbs. (200 kg)
Length of Base Rail	53" - 65" (1350-1650mm)
Length of Post.....	67" - 90.5" (1700-2300mm)
Post base travel zone.....	10" - 24" (250-610mm)
Material	Anodized Aluminum/ Stainless Steel
Weight.....	25.5 lbs. (11.5 kg)
Ceiling Plate	20" (510 mm)

MAINTENANCE**⚠ WARNING**

Maintenance must be performed only by qualified personnel.

⚠ WARNING

Failure to follow maintenance instructions below when indicated could result in injury or damage.

⚠ WARNING

Periodic inspection should be performed by a person who is suitably and properly qualified and well acquainted with the design, use and care of the Easytrack System.

Inspection should be carried out both routinely (at least as often as specified) and as necessary. All defects and damages that have lead to corrective actions should be noted, signed and dated by the inspector. Defects and resulting actions should be reported in writing to your supplier.

Upon receipt of your Easytrack Bath Base Kit:

1. Make sure you received all components listed in Figure 1.
2. Inspect all parts for possible damage in transit.
3. Ensure all components are in working order.
4. Repair/replace any faulty parts.
5. Keep a log of any repair/replacement required.

Before each time you use the Easytrack Bath Base Kit:

1. Clean the outside and inside of the rail and wipe out any water in the rail. Failure to do so for a long period of time can cause corrosion that will weaken the rail.
2. Check with the level if the posts are straight. In they are not straight, remove rail and reinstall posts (see Assembly instructions).
3. Check that the rail is secure in place. Press the rail upwards to make sure that the rail is locked onto the post.
4. Check for any appearance of damage. If there is apparent damage, do not use the Easytrack System.
5. Make sure the red zone at the top of the post is not visible. If the red zone is visible, tighten posts according to the assembly instructions.

Every month:

1. Use level supplied to ensure all posts are straight.
2. Clean inside of rail with a damp cloth to ensure there is no dust or grease build-up inside of rail.
3. Make sure the red zone is not visible. If red zone is visible, tighten posts according to assembly instructions.
4. Check to ensure you still have all your original parts. If any parts are missing they should be replaced BEFORE USING THE EASYTRACK AGAIN.
5. Check to make sure that the trolley in the rail moves freely. Trolley may need to be cleaned or replaced.
6. Check for the appearance of rust. If rust is starting to appear, simply scrub the piece clean.
7. Examine all joints and pieces for wear and fatigue. Replace any part that looks damaged or worn.
8. Document inspection and any repairs.

If equipment is moved on a regular basis:

1. Make sure all components are accounted for.
2. Check "Requirements" and "Important Safeguards" before reinstalling the Easytrack System.
3. Make sure the padding on the foot and top plate is clear of any foreign substance and is not damaged. If neoprene (rubber) on either top or bottom plate appears damaged then the plate must be replaced.
4. Make sure the level is still working.
5. Look for signs of wear or breakage on all parts. Replace any parts that appear worn or damaged.

⚠ WARNING

Follow guidelines in your portable lift manual for maintenance and procedures on the lift.

EASYTRACK PRODUCTS & ACCESSORIES

Description	Part #
Easytrack 2-Post System.....	92000
Easytrack 3-Post System.....	93000
Easytrack 4-Post System.....	94000
Easytrack 2-Post with Tub Bracket	92001
Easytrack 3-Post with Tub Bracket	93001
Easytrack Portable Carry Bag.....	92341

WARRANTY

This warranty is extended only to the original purchaser/user of Sunrise products.

Sunrise Medical Inc. warrants its products to be free from defects in material under normal use and service and will, within the periods stated below, from the date of purchase. If within such warranty period any such product shall be proven to be defective, such product shall be repaired or replaced at Sunrise Medical's option. This warranty does not include any labor or shipping charges incurred in replacement part installation or repair of any such product. Sunrise Medical's sole obligation and your exclusive remedy under this warranty shall be limited to such repair and/or replacement.

Lifter including hydraulics	1 year
Accessories on Lifter	1 year
Slings	1 year
Batteries	3 months
Easytrack System	1 year

For warranty service, please contact the provider from whom you purchased the Sunrise Medical product. In the event that you do not receive satisfactory warranty service, please contact Sunrise Medical customer service at 1-800-333-4000.

Do not return products to our factory without prior authorization. Sunrise Medical will issue a Return Merchandise Authorization (RMA) Number. C.O.D. shipments will be refused; all shipments to Sunrise Medical must be prepaid. For this warranty to be valid, the purchaser must present its original proof of purchase at the moment of the claim. The defective unit, assembly or part must be returned to Sunrise Medical for inspection. The part or components repaired or replaced are guaranteed for the remaining period of the initial warranty.

Limitations and Exclusions:

The above warranty does not apply to serial numbered products if the serial number has been removed or defaced.

No warranty claim shall apply where the product or any other part thereof has been altered, varied, modified, or damaged; either accidentally or through improper or negligent use and storage. Warranty does not apply to products modified without Sunrise Medical's express written consent, (including but not limited to products modified with unauthorized parts or attachments); products damaged by reason of repairs made to any component without the specific consent of Sunrise Medical, or to products damaged by circumstances beyond Sunrise Medical's control. Evaluation of warranty claim will be solely determined by Sunrise Medical. The warranty does not apply to problems arising from normal wear or failure to adhere to the instructions in this manual. Sunrise Medical Inc. slings are void of warranty if not laundered as per instructions on the Sling Label.

Sunrise Medical Inc. shall not be liable for damages losses or inconveniences caused by a carrier.

This warranty replaces any other warranty expressed or implicit and constitutes Sunrise Medical Inc.'s only obligation towards the purchaser. Sunrise Medical shall not be liable for any consequential or incidental damages whatsoever.



www.sunrisemedicalonline.com

Distributed by:

Sunrise Medical

7477 East Dry Creek Parkway

Longmont, Colorado 80503

(800) 333-4000

In Canada (800) 263-3390

Printed in Canada

© 2001 Sunrise Medical 10.01
900-0660 Rev. A

Free Manuals Download Website

<http://myh66.com>

<http://usermanuals.us>

<http://www.somanuals.com>

<http://www.4manuals.cc>

<http://www.manual-lib.com>

<http://www.404manual.com>

<http://www.luxmanual.com>

<http://aubethermostatmanual.com>

Golf course search by state

<http://golfingnear.com>

Email search by domain

<http://emailbydomain.com>

Auto manuals search

<http://auto.somanuals.com>

TV manuals search

<http://tv.somanuals.com>