

GUARDIAN[®]

Guardian[®] Homecare Bed Parts List

Manual Bed Models IC-5307 IC-5207 & IC-5107

Semi Electric Bed Models IC-5310 IC-5210 & IC-5110

Full Electric Bed Model IC-5410

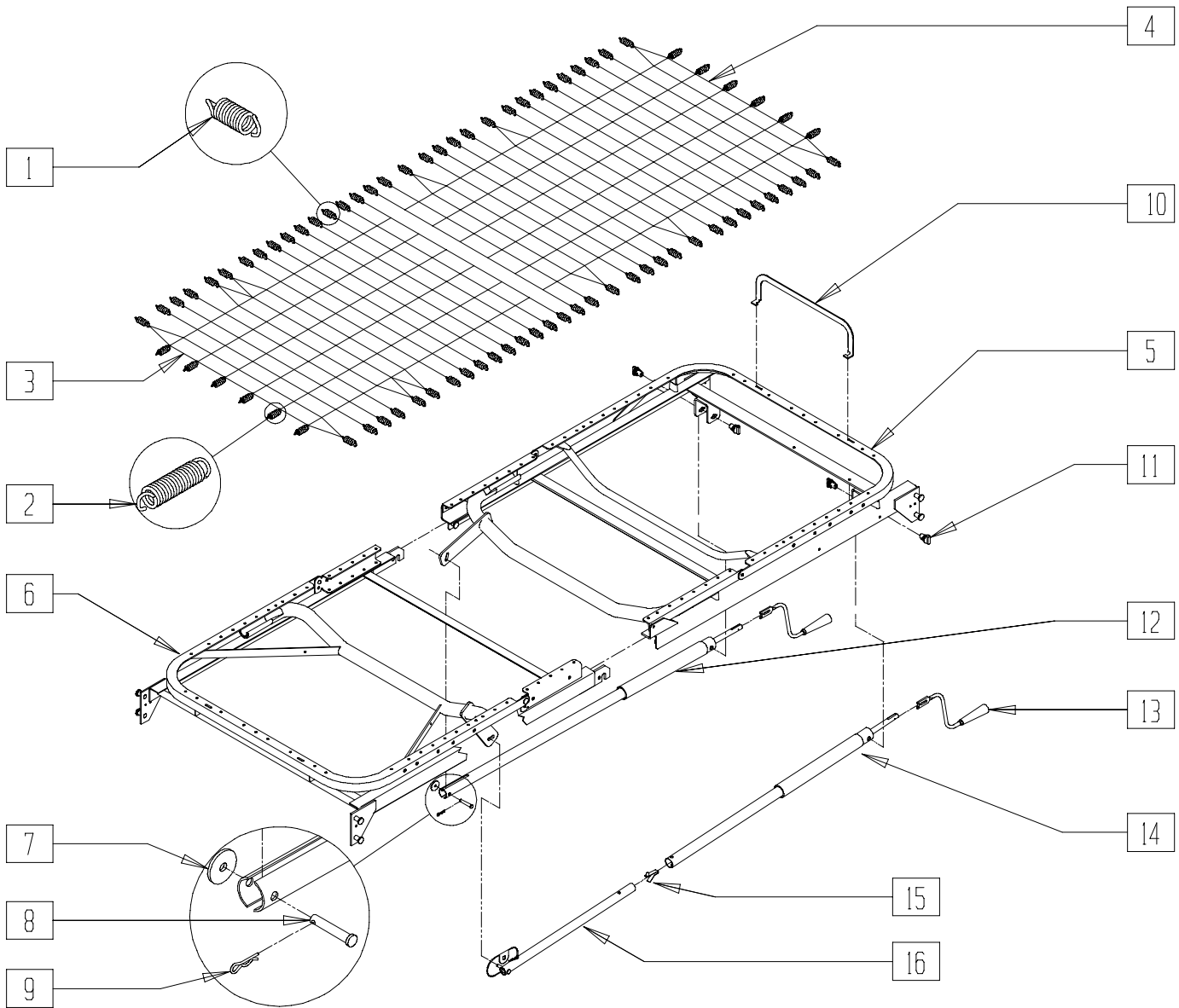


Guardian Manual/Electric Bed

IN THIS SECTION

Manual Bed (Head and Foot Spring).....	1.1	Manual/Semi Electric Bed End Set	
Semi/Full Electric (Head and Foot Spring)	1.2	(1 Crank, Hi/Lo)	1.5
Manual Bed End Set (Fixed Height).....	1.3	Full Electric Bed End Set.....	1.6
Semi Electric/Manual Bed End Set			
(2 Crank, Hi/Lo)	1.4		

MANUAL BED (HEAD AND FOOT SPRING)

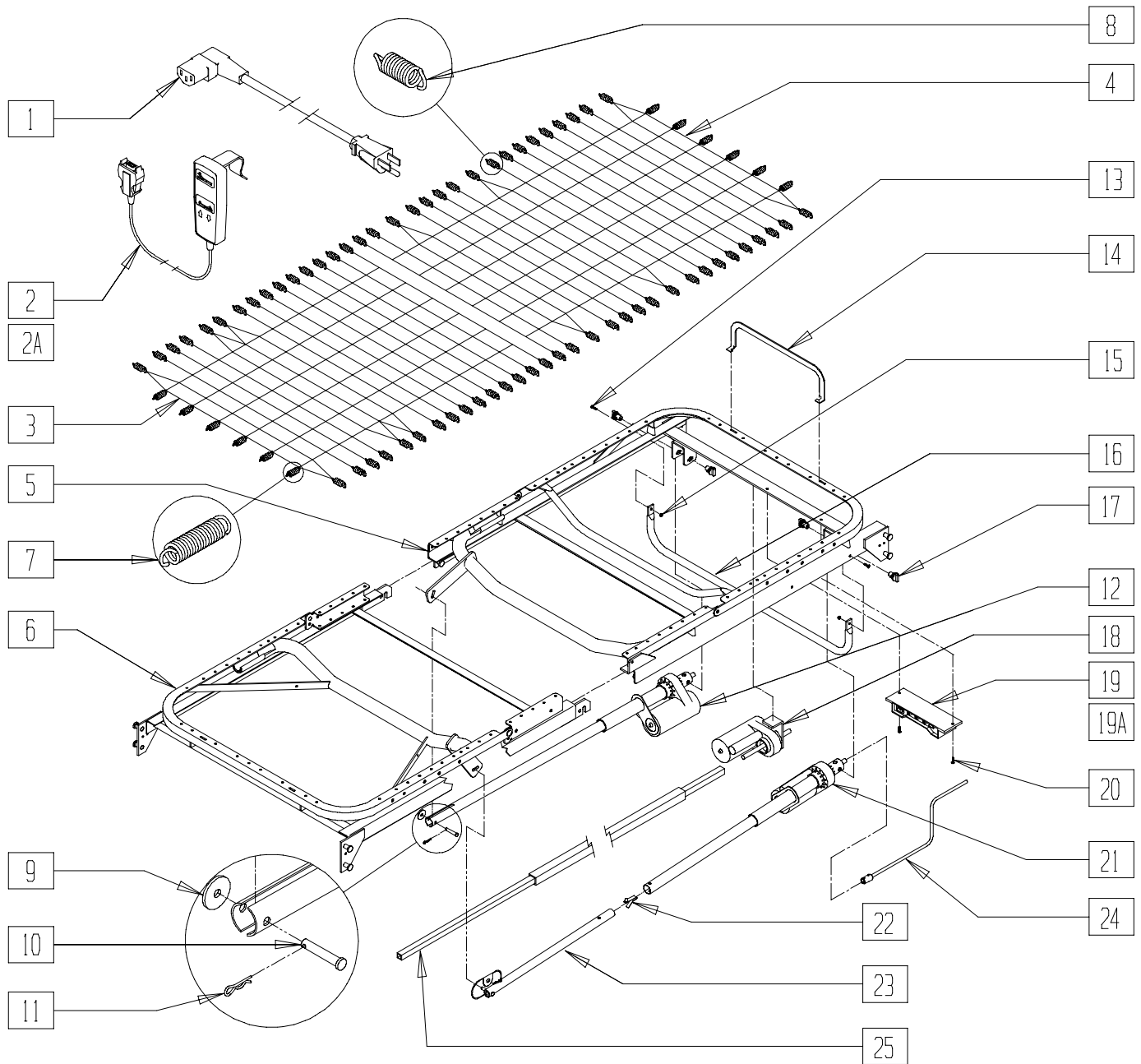


HCB0X03

ITEM	NUMBER	DESCRIPTION	QTY
1	IC-51000M135	HELICAL SPRING SHORT	64
2	IC-51000M136	HELICAL SPRING, LONG	12
3	IC-51000M133	LINK FABRIC, HEAD (16x7)	1
4	IC-51000M134	LINK, FABRIC FOOT (19x7)	1
5	IC-5770M000	FOOT SPR W/FABRIC	1
10	IC-026159	MATTRESS STOP	1

ITEM	NUMBER	DESCRIPTION	QTY
11	IC-5300M054	QUICK RELEASE ATTACH HDWR	4
12	IC-5510M008	MANUAL CRANK ASSEMBLY, FOOT	1
14	IC-5510M015	MANUAL CRANK ASSEMBLY, HEAD	1
1,2,4,5, 7-16	IC-5770	MANUAL FOOT SPRING SECTION	
1-3,6	IC-5000	HEAD SPRING SECTION	

SEMI/FULL ELECTRIC (HEAD AND FOOT SPRING)

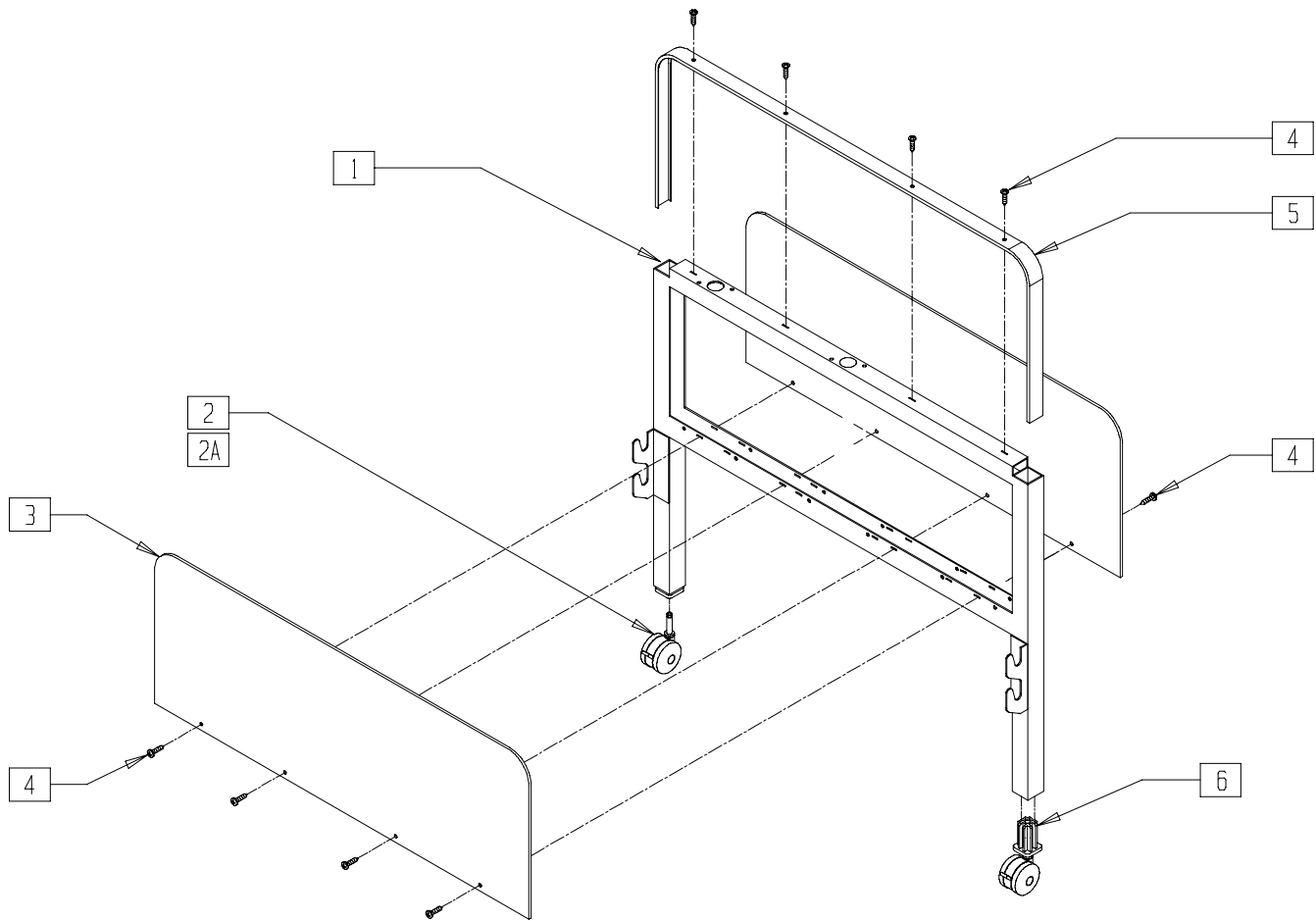


HCBOX02

ITEM	NUMBER	DESCRIPTION	QTY
1	IC-54000M746	POWER CORD	1
2	IC-7001M297	6 FUNCTION PENDANT	1
2A	IC-7001M298	4 FUNCTION PENDANT	1
3	IC-51000M133	LINK FABRIC, HEAD (16x7)	1
4	IC-51000M134	LINK FABRIC, FOOT (19x7)	1
7	IC-51000M136	HELICAL SPRING LONG	6
8	IC-51000M135	HELICAL SPRING SHORT	64
12	IC-1104333	FOOT MOTOR ASSEMBLY	1
14	IC-026159	MATTRESS STOP	1
16	IC-51000M225	MOTOR GUARD	1
17	IC-5300M054	QUICK RELEASE ATTACH HDWR	4

ITEM	NUMBER	DESCRIPTION	QTY
18	IC-1104336	HI/LO MOTOR ASSEMBLY	1
19	IC-1104343	JUNCTION BOX ASSEMBLY(6 WAY)	1
19A	IC-1104345	JUNCTION BOX ASSEMBLY(4 WAY)	1
21	IC-1104330	HEAD MOTOR ASSEMBLY	1
24	IC-5880M004	EMERGENCY CRANK	1
25	IC-7000M585	DRIVE SHAFT ASSEMBLY	1
1,2,4,5,7-18, 19,20-25	IC-5490	FULL ELECTRIC FOOT SPRING SECT.	
1,2A,4,5, 7-17,19A, 20-23	IC-5890	SEMI ELECTRIC FOOT SPRING SECT.	
3,6-8	IC-5000	HEAD SPRING SECTION	

MANUAL BED END SET (FIXED HEIGHT)

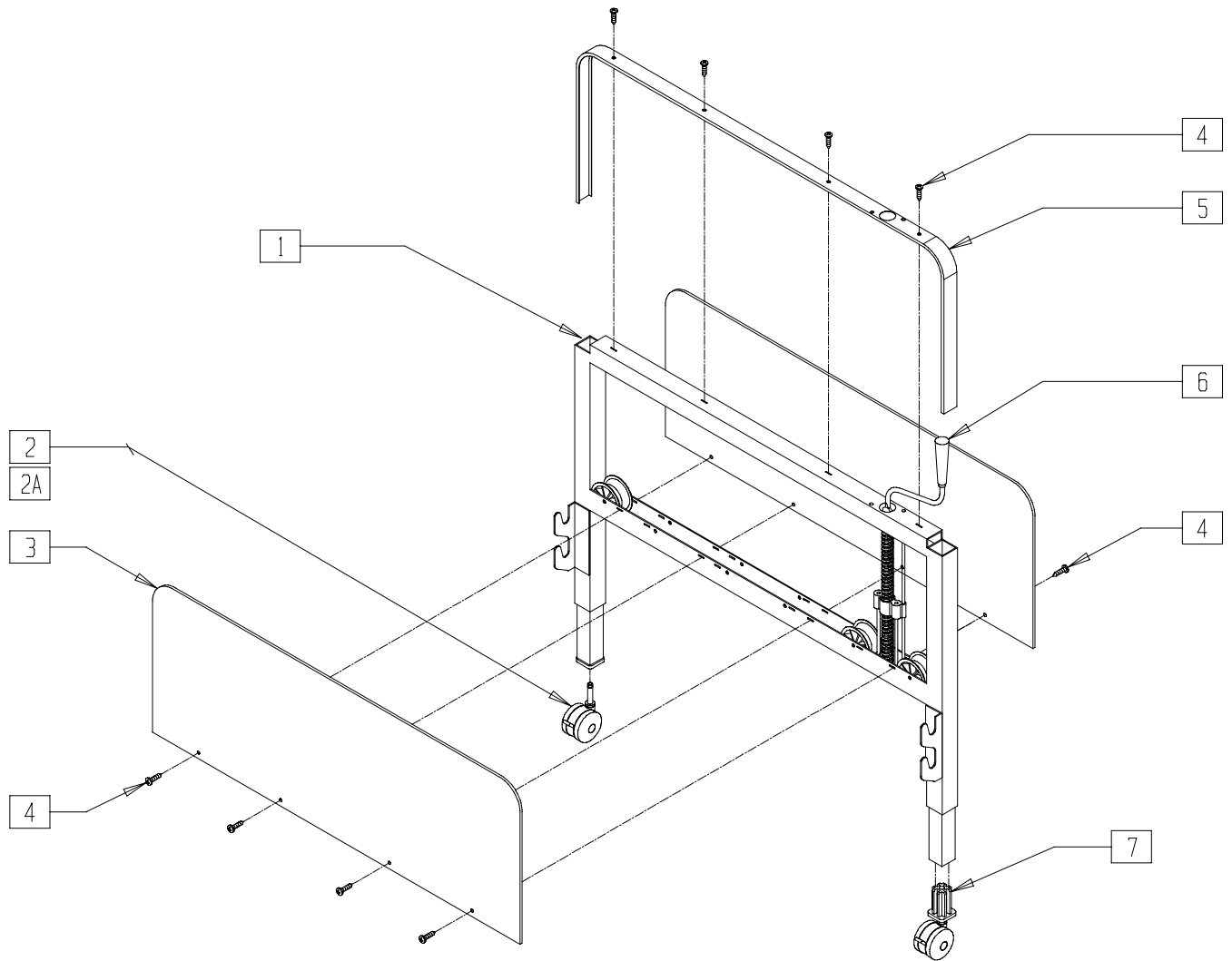


HCBOX01A

ITEM	NUMBER	DESCRIPTION	QTY
2	IC-54000M445	CASTER WITHOUT BRAKE	2
2A	IC-54000M446	CASTER WITH BRAKE	2
3	IC-51000M076,	PANEL BED FOOT END	2
	IC-51000M087	PANEL BED HEAD END	2
4	IC-51000M908	# 6 x 5/16" SHEET METAL SCREW	
5	IC-51000M080	PANEL TRIM BED FOOT END	1

ITEM	NUMBER	DESCRIPTION	QTY
5	IC-51000M091	PANEL TRIM BED HEAD END	1
6	IC-51000M083	SOCKET CASTER	2
2,2A	IC-54000M447	CASTERS (SET)	
1,3-6	IC-52000M213	FOOT END KIT	
1,3-6	IC-52000M214	HEAD END KIT / FIXED	
1-6	IC-5100	SET HEIGHT END SET	

SEMI/MANUAL BED END SET (2 CRANK, HI/LO)

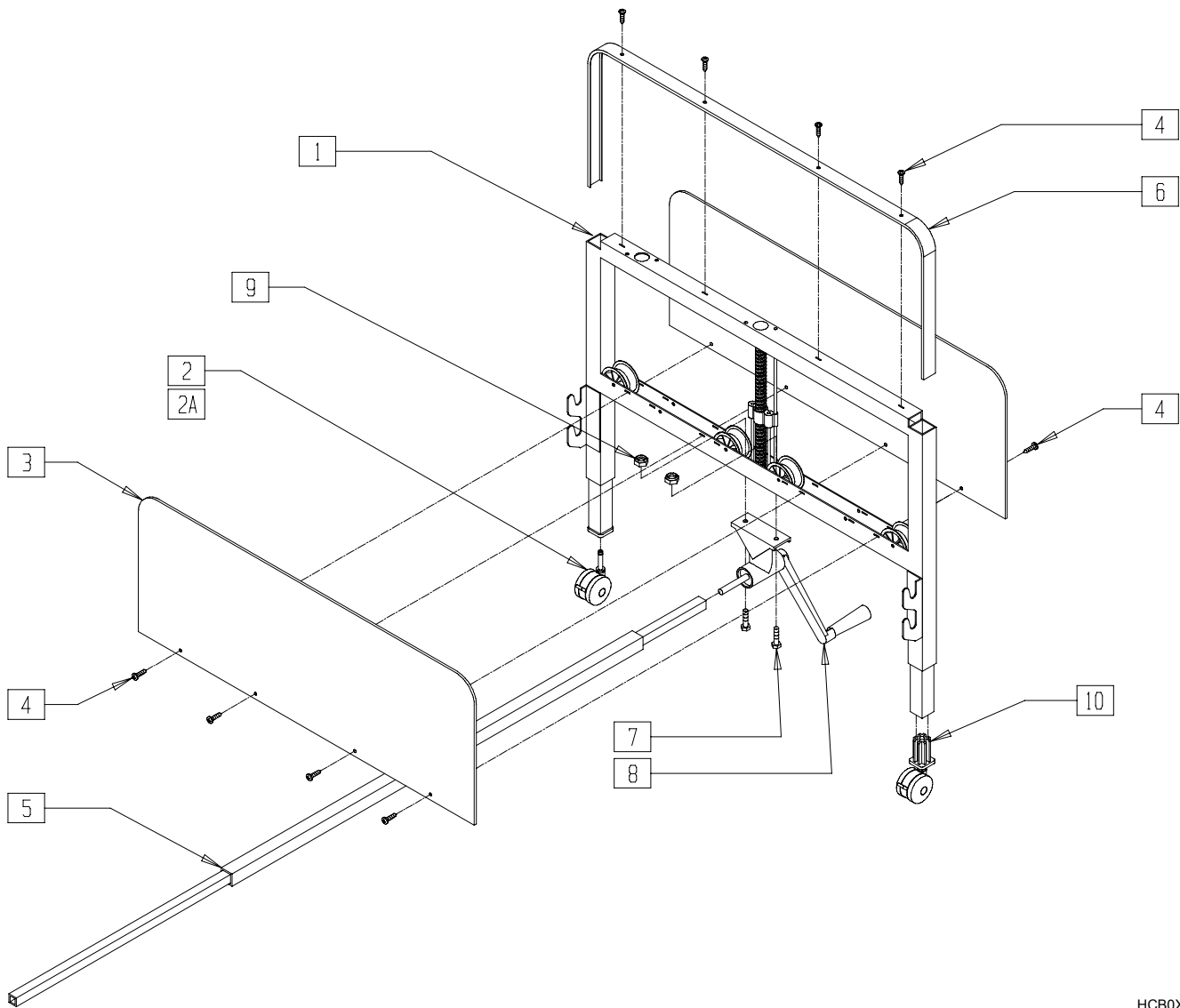


HCB0X01B

ITEM	NUMBER	DESCRIPTION	QTY
2	IC-54000M445	CASTER WITHOUT BRAKE	2
2A	IC-54000M446	CASTER WITH BRAKE	2
3	IC-51000M076	PANEL BED FOOT END	2
	IC-51000M087	PANEL BED HEAD END	2
4	IC-51000M908	# 6 x 5/16" SHEET METAL SCREW	12,24
5	IC-51000M254	PANEL TRIM FOOT	1

ITEM	NUMBER	DESCRIPTION	QTY
5	IC-51000M255	PANEL TRIM HEAD	1
6	IC-5200M026	ELECTRIC CRANK ASSM TOP CRANK	1
7	IC-51000M083	SOCKET CASTER	2
1,3-7	IC-52000M215	FOOT END KIT - TWO CRANK	
1,3-7	IC-52000M216	HEAD END KIT - TWO CRANK	
1-7	IC-5200	MANUAL END SET WITH TWO CRANKS	

MANUAL/SEMI BED END SET (1 CRANK, HI/LO)

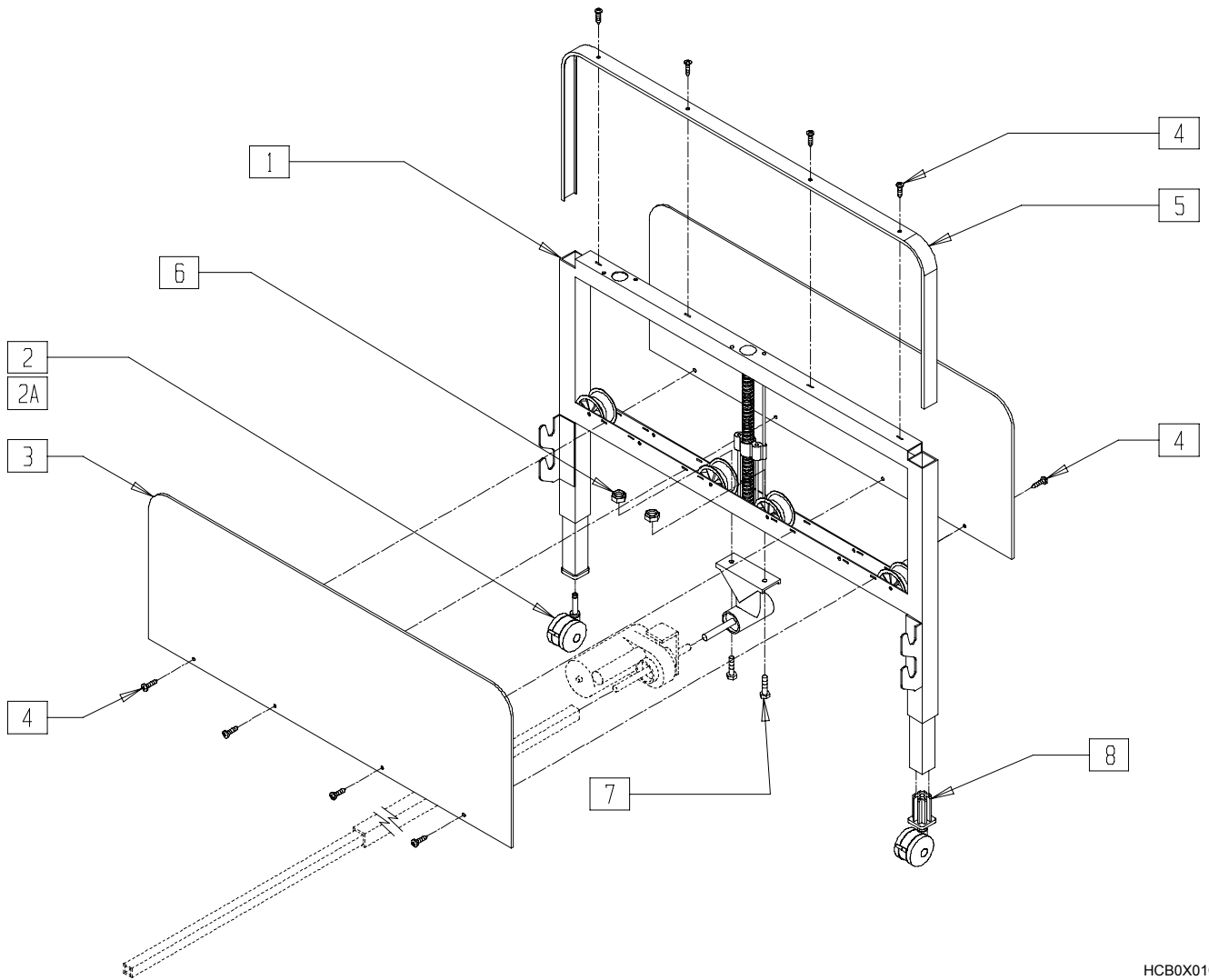


HCBOX01

ITEM	NUMBER	DESCRIPTION	QTY
2	IC-54000M445	CASTER WITHOUT BRAKE	2
2A	IC-54000M446	CASTER WITH BRAKE	2
3	IC-51000M076	PANEL FOOT TRIM	4
	IC-51000M087	PANEL HEAD END	
4	IC-51000M908	# 6 x 5/16" SHEET METAL SCREW	24
5	IC-7000M585	DRIVE SHAFT ASSM	1

ITEM	NUMBER	DESCRIPTION	QTY
6	IC-51000M080	TOP TRIM FOOT	1
	IC-51000M091	TOP TRIM HEAD (5100,5301,5410)	
8	IC-53001053	BD GRBX CRANK ASSY HI/LO	2
10	IC-51000M083	SOCKET CASTER	4
2,2A	IC-54000M447	CASTER (SET)	
1-10	IC-5301	MANUAL END SET W/CONNECT ROD	

FULL ELECTRIC BED END SET



HCB0X01C

ITEM	NUMBER	DESCRIPTION	QTY
1	IC5401	FULL ELECTRIC END SET	2
2	IC-54000M445	CASTER WITHOUT BRAKE	2
2A	IC-54000M446	CASTER WITH BRAKE	2
3	IC-51000M076	PANEL FOOT TRIM	4
	IC-51000M087	PANEL HEAD END	
4	IC-51000M908	# 6 x 5/16" SHEET METAL SCREW	

ITEM	NUMBER	DESCRIPTION	QTY
5	IC-51000M080	TOP TRIM FOOT	1
	IC-51000M091	TOP TRIM HEAD (5100,5301,5410)	
8	IC-51000M083	SOCKET CASTER	4
	IC-51000M581	LEG GUIDE	
2,2A	IC-54000M447	CASTER (SET)	
1-8	IC-5401	FULL ELECTRIC BED END	



**Manufactured for:
Sunrise Medical**

7477 East Dry Creek Parkway
Longmont, Colorado 80503
(800) 333-4000
In Canada (800) 263-3390

© 2002 Sunrise Medical 5.02
479828 Rev. A

Free Manuals Download Website

<http://myh66.com>

<http://usermanuals.us>

<http://www.somanuals.com>

<http://www.4manuals.cc>

<http://www.manual-lib.com>

<http://www.404manual.com>

<http://www.luxmanual.com>

<http://aubethermostatmanual.com>

Golf course search by state

<http://golfingnear.com>

Email search by domain

<http://emailbydomain.com>

Auto manuals search

<http://auto.somanuals.com>

TV manuals search

<http://tv.somanuals.com>