



NEW ZIPPIE[®] TS

PARTS MANUAL

FEBRUARY 2008

Sunrise Medical appreciates your business. For your ordering convenience, our Customer Service Representatives can be contacted at:

**To place orders:
(800)333-4000**

Quickie Technical Assistance:

You can reach our Technical Support Team by choosing prompt 1 followed by the # sign, then prompt 2 for Technical Support. Choose option 1 for Quickie Technical Support.

**For Assistance with a Web Order,
or to sign up for sunrisemedical.com
(800) 333-4000 Option 5**

**FOR YOUR CONVENIENCE YOU MAY PLACE ORDERS THROUGH
OUR WEBSITE OR BY FAX 24 HOURS A DAY:**

www.sunrisemedical.com

Fax: (800)300-7502

For easy reference please fill in your Customer Number and Sunrise Account Manager's name.

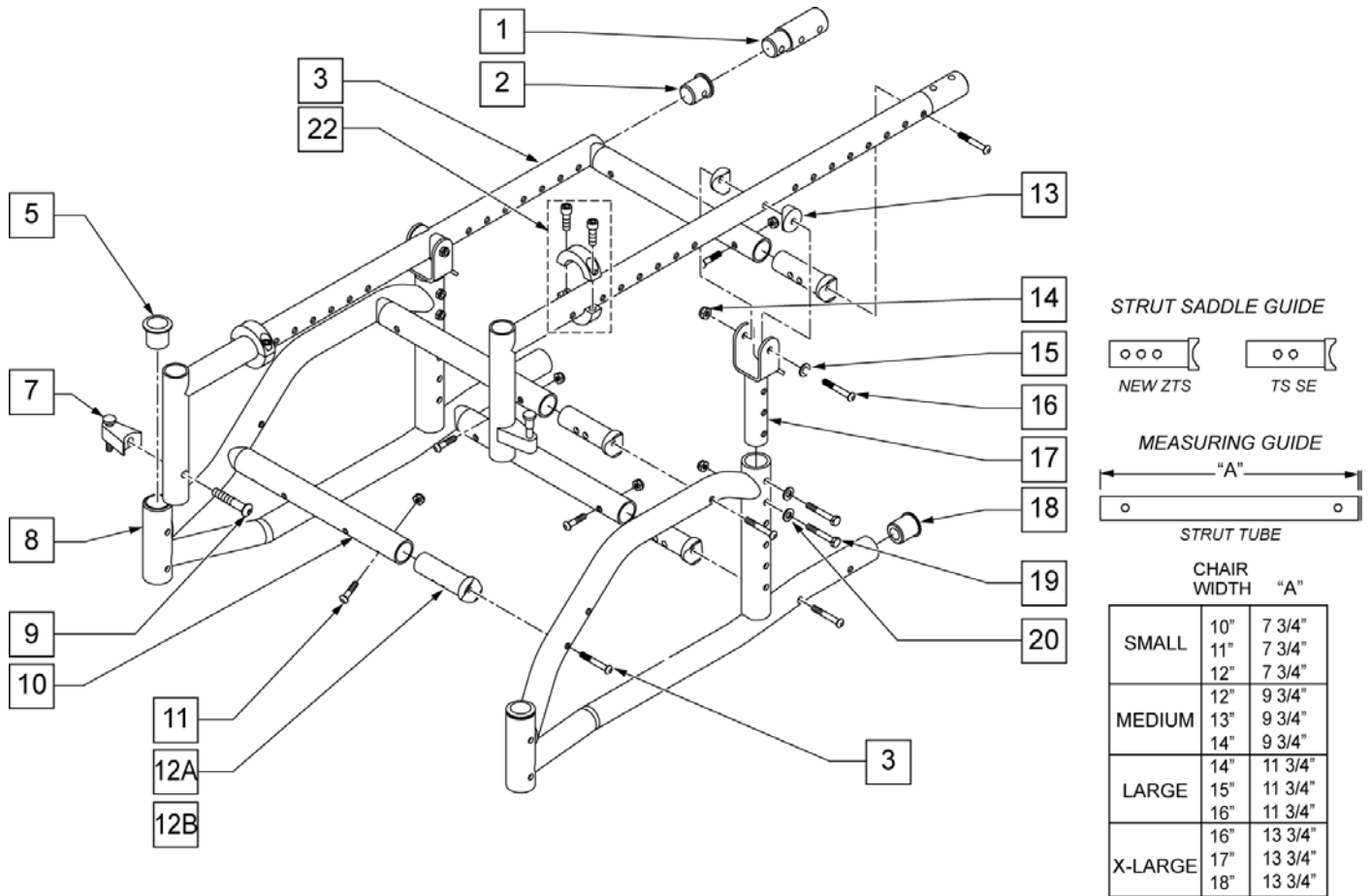
Customer Account Number _____
Ship to Account Number _____
Sunrise Account Manager _____

*Part prices and configurations or specifications of products included in this Parts Manual are subject to change without prior notice.

Zippie TS	5
BASE FRAME	5
FRAME	5
FRAME (RIGID).....	5
FRAME (FOLDING).....	7
CROSS TUBE ASSM	9
FRAME (FIXED FRONT).....	11
FRAME (FIXED FRONT) DISC. 11/16/99	13
FRAME (SWING-AWAY).....	15
FRAME (SWING-AWAY) DISC. 11/16/99	17
LOCKING MECHANISM NEW ZIPPIE TS	19
LOCKING MECHANISM	21
LOCKING MECHANISM DISC.....	23
AXLES & AXLE PLATES	24
AXLE BRACKET	25
AXLE BRACKET 12"	27
QUAD RELEASE AXLE NUT (PUSH BUTTON).....	29
BIG BUTTON AXLE SPOKE WHEELS.....	30
CASTERS & FORKS.....	30
FORK & STEM ASSEMBLIES	31
CASTER STEMS.....	33
CASTER PIN LOCK	34
CASTER PLATE.....	35
CASTERS	37
CASTER TIRES & TUBES	38
ANTI-TIPS	38
FRONT ANTI-TIP	39
WHEEL LOCKS	39
WHEEL LOCK PUSH TO LOCK	40
WHEEL LOCK PULL TO LOCK	42
HIGH WHEEL LOCK PUSH (LONG SLIDE)	44
HIGH WHEEL LOCK PULL (LONG SLIDE)	45
FOOT LOCK 12" WHEEL.....	46
HIGH WHEEL LOCK EXTENSION HANDLE.....	48
GRADE AID ONLY ASSEMBLY.....	49
Z-LOCK	51
SEATING & POSITIONING	51
SEAT	51
SEAT INTERFACE	51
SOLID SEAT & SOLID BACK	52
SEAT SLING/PAN	55
GROWING SEAT PAN.....	55
BACK.....	56
BACK FRAME	56
BACKREST	57
SWING-AWAY ADJ STROLLER HANDLE	59
SWING-AWAY ADJ STROLLER HANDLE RETRO KIT	61
RIGID-IZER	63
HANGERS & FOOTRESTS	63
HANGERS.....	63
STROLLER HANDLE EXTENSION-REMOVABLE.....	64
60 DEG SWING-AWAY HANGER	65
60 SWING-AWAY HANGER DISC. 8/13/01.....	66
60 SWING-AWAY HANGER DISC.10/23/99.....	67
70 DEG SWING-AWAY HANGER	68
70 SWING-AWAY HANGER DISC. 8/13/01.....	69
70 SWING-AWAY HANGER DISC.10/23/99.....	70
70 DEG SWING-AWAY FRONT MOUNT HANGER.....	72
80 DEG SWING-AWAY FRONT MOUNT HANGER.....	73
90 DEG SWING-AWAY FRONT MOUNT HANGER.....	74
70 DEGREE LIFT-OFF HANGER	76
80 DEGREE LIFT-OFF HANGER	78
90 DEGREE LIFT-OFF HANGER	80
90 DEG KIDS ELR	81
ELR CALF PAD 14-15.....	83
ELR CALF PAD 16-20.....	84
ARTICULATING LEGREST	85
ARTICULATING LEGREST DISC. 12/12/02.....	87
ARTICULATING LEGREST CALF PAD.....	89
KIDS ARTICULATING LEGREST	90

KIDS ARTICULATING LEGREST CALF PAD	92
ELEVATING LEGREST.....	93
90 DEG KIDS ELR	95
ELR CALF PAD 14-15.....	97
ELR CALF PAD 16-20.....	98
FOOTPLATES & EXT TUBES	98
DOUBLE-D FOOTREST EXT TUBE STD & "V" HANGERS	99
HIGH MOUNT EXTENSION TUBE	101
FOOTREST EXTENSION	103
COMPOSITE FOOTPLATE.....	104
KIDS ANGLE ADJ FOOTPLATE 70 80 90 FRONT DRILLED	106
ADULT ANGLE-ADJUSTABLE FOOTPLATE EXT MOUNT.....	108
KIDS ANGLE ADJ FOOTPLATE ASSM-EXTENSION MOUNT	110
ELR ALUMINUM FOOTPLATE	112
PLATFORM FLIP-UP FOOTPLATE SWING AWAY FRONT.....	114
ARMRESTS	115
ARMRESTS.....	115
LENGTH ADJUSTABLE LOCKING FLIP-UP ARMREST	116
FLIP-UP ARMREST	118
HEIGHT ADJ ARMREST.....	119
ARMREST	122
ARMREST RECEIVERS	123
KIDS ARMREST RECEIVERS.....	124
ACCESSORIES	124
POSITIONING BELTS	124
POSITIONING BELT MOUNT.....	125
POSITIONING BELTS.....	126
TRAYS	126
TRAY -QUICKIE KIDZ.....	127
TRAY RIBS	128
TRAY HARDWARE	130
BACKPACKS AND SEAT POUCHES.....	131
LEG STRAPS.....	132
SPOKE GUARD	133
TOOL KIT	135
TOUCH-UP PAINT.....	136
ONE-ARM DRIVE RETRO KIT	137
PLASTIC SIDE GUARD	139

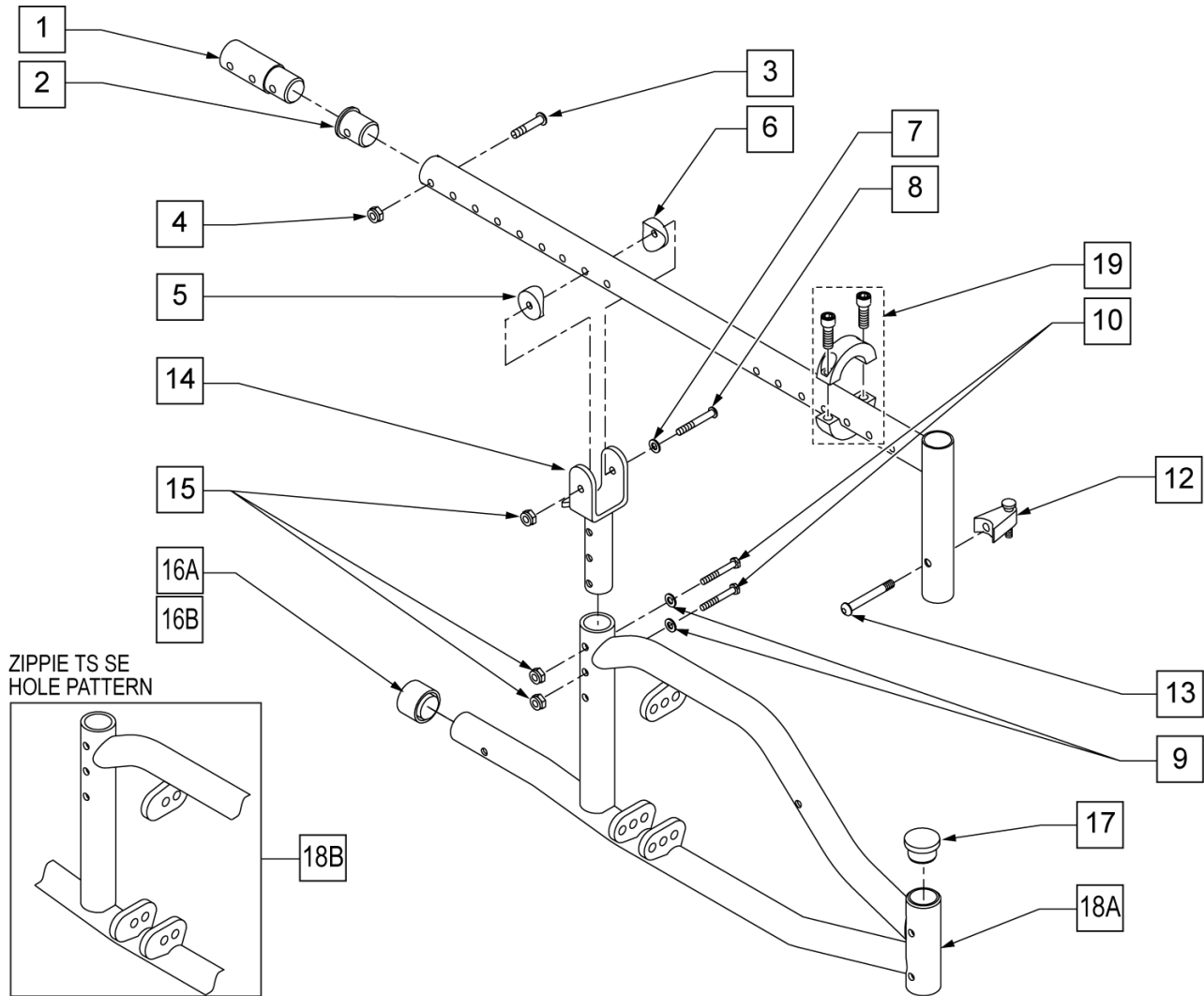
NOTE: * THESE ITEMS USED FOR CHAIRS WITH 17"-18" SEAT DEPTH (19"-20" FRAME DEPTH).
 ** USED ONLY WITH 18" WIDTH.



Pos.	Item Number	Description	Remarks
1*	483088	REAR FRAME EXT .065 15"-16" ZP	
2	483089	SEAT TUBE PLUG S/A TS/P5	
5	561062	1" INSERT PLUG .065 RIBS	
7	881691	LATCH STUD SUPPORT BLK	
9	226190	5/16-18 x 1 3/4 BH C/S SHLDR	
10	522802	STRUT TUBE 10" ZP/KZ	10" WIDE
10	522803	STRUT TUBE 11" ZP/KZ	11" WIDE
10	522804	STRUT TUBE 12" ZP/KZ	12" WIDE
10	522805	STRUT TUBE 13" ZP/KZ	13" WIDE
10	522806	STRUT TUBE 14" ZP/KZ	14" WIDE
10	522807	STRUT TUBE 15" ZP/KZ	15" WIDE
10	522808	STRUT TUBE 16" ZP/KZ	16" WIDE
11	226129	1/4-28 x 1 1/4 BH C/S	
12A	483184	STRUT SADDLE ZGS	
12B**	483326	STRUT SADDLE ZGS SE	
13	561004	1" SADDLE 1/4" HOLE	
14	201110	1/4-28 NYLOCK NUT	
15	262100-QU	1/4 AN WASHER FLAT	
16	226150	1/4-28 x 2 BH C/S	

Pos.	Item Number	Description	Remarks
17	505251	TILT BRACKET ZP TS 45°	
18	561018	1" TUBE END BUSHING THICK	
19	221127	1/4-28 x 1 3/8 HEX C/S	
20	262110-QU	1/4 AN WASHER FLAT THIN	
21	226130	1/4-28 x 1 1/2 BH C/S	
22	342048	ADJ SEAT STOP 1"	
1,4,11*	920309	TS S/A 2" SEAT EXT W/HDWR	
1,3,4,11*	660908	SEAT TUBE S/A TS 19"-20" (NEW)	
2,3,4,11	660909	SEAT TUBE S/A TS (NEW)	
4,11,12A,21	920461	STRUT TUBE HDWR KT ZP TS GRW	
4,11,12B,21	920581	STRUT TUBE HDWR KIT TS/ZGS SE	
4,6,7,9	921295	S/A LATCH ASSM BLK W/BOLT CLR	
5,8,18	660350	RIGID ZTS S/F ASSM	RIGHT
5,8,18	660351	RIGID ZTS S/F ASSM	LEFT

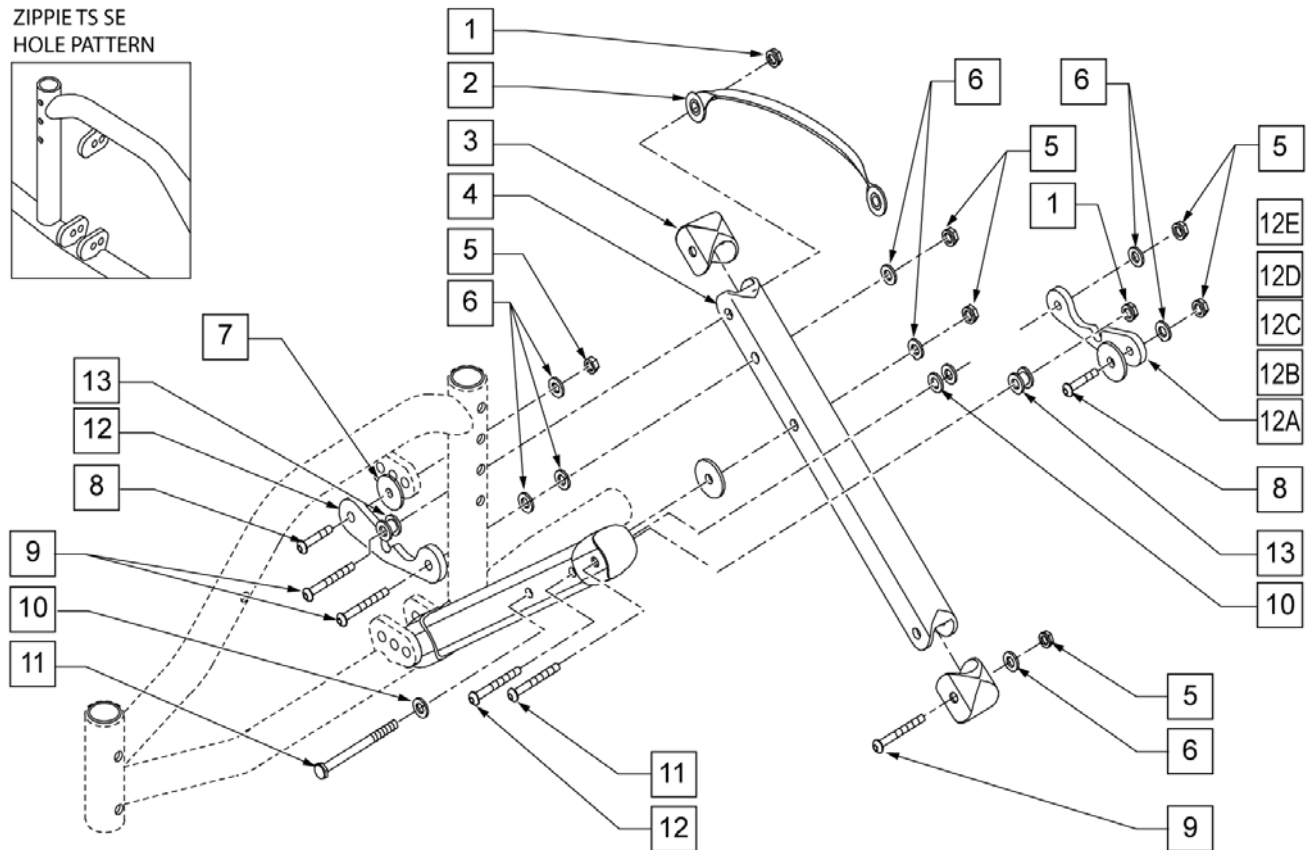
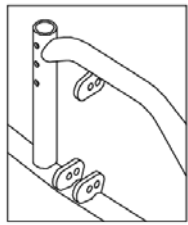
NOTE: * THESE ITEMS USED FOR CHAIRS WITH 17"-18" SEAT DEPTH (19"-20" FRAME DEPTH).
 ** REPLACE 561018 WITH ITEM 561014 ON CHAIRS WITH 20", 22", AND 24" REAR WHEEL OPTIONS.
 *** 660352 & 660353 USED ON 18" TS SE WIDTH.



Pos.	Item Number	Description	Remarks
1*	483088	REAR FRAME EXT .065 15"-16" ZP	SEE NOTE ABOVE.
2	483089	SEAT TUBE PLUG S/A TS/P5	
3	226129	1/4-28 x 1 1/4 BH C/S	
4	201100-QU	1/4-28 NYLOCK NUT THIN	
5	561004	1" SADDLE 1/4" HOLE	
7	262100-QU	1/4 AN WASHER FLAT	
8	226150	1/4-28 x 2 BH C/S	
9	262110-QU	1/4 AN WASHER FLAT THIN	
10	221127	1/4-28 x 1 3/8 HEX C/S	
12	881691	LATCH STUD SUPPORT BLK	
13	226190	5/16-18 x 1 3/4 BH C/S SHLDR	
14	505251	TILT BRACKET ZP TS 45°	

Pos.	Item Number	Description	Remarks
15	201110	1/4-28 NYLOCK NUT	
16A	561018	1" TUBE END BUSHING THICK	
16B**	561014	1" MED CAP	SEE NOTE ABOVE.
17	561062	1" INSERT PLUG .065 RIBS	
19	342048	ADJ SEAT STOP 1"	
1,3,4,6*	660908	SEAT TUBE S/A TS 19-20(NEW)	SEE NOTE ABOVE.
2,6	660909	SEAT TUBE S/A TS (NEW)	
16A-18A***	660352	FOLDING ZTS S/F ASSM -RIGHT	SEE NOTE ABOVE.
16A-18A	660353	FOLDING ZTS S/F ASSM -LEFT	SEE NOTE ABOVE.
16A-18B	600266	FOLDING ZTS SE S/F ASSM	RIGHT ZIPPIE TS SE
16A-18B	600267	FOLDING ZTS SE S/F ASSM	LEFT ZIPPIE TS SE

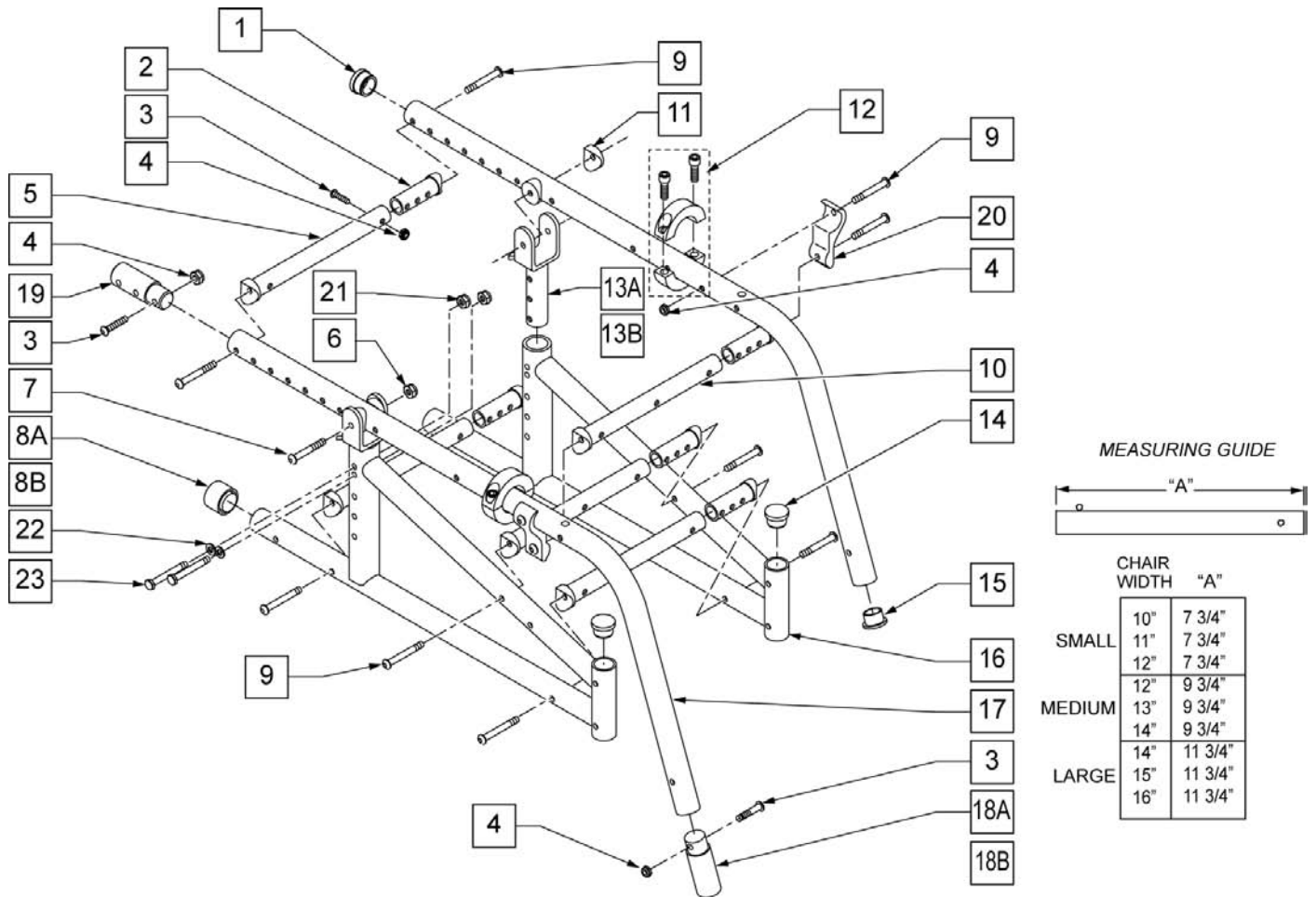
ZIPPIE TS SE
HOLE PATTERN



Pos.	Item Number	Description	Remarks
1	201110-QU	1/4-28 NYLOCK NUT	
2	750550	Z2 FOLDING STRAP	
3	562845	END CAP OVAL TUBE ZGS	
5	201100-QU	1/4-28 NYLOCK NUT THIN	
6	262100-QU	1/4 AN WASHER FLAT	
7	561016	1" WASHER 5/16" HOLE	
8	226111	1/4-28 x 1 BH C/S SHLDR	
9	226150	1/4-28 x 2 BH C/S	
10	561028	1/4" NYLON WASHER	
11	221181	1/4-28 x 2 1/2 G8 HEX C/S	
12A	500520	X-HINGE 10-12" ZGS	10 -12" WIDE
12B	500521	X-HINGE 12-14" ZGS	12 -14" WIDE
12C	500522	X-HINGE 14-16" ZGS	14 -16" WIDE
12D	500523	X-HINGE 16-18" ZGS	16 -18" WIDE
13	481089	Z2 X-HINGE SPACER	
14	226140	1/4-28 x 1 3/4 BH C/S	
15	262120	1/4" SAE WASHER	
1-12A,13-15	673100	X TUBE ASSEMBLY 10"- 12" ZGS	10 -12" WIDE
1-12B,13-15	673101	X TUBE ASSEMBLY 12"- 14" ZGS	12 -14" WIDE
1-12C,13-15	673102	X TUBE ASSEMBLY 14"- 16" ZGS	14 -16" WIDE

Pos.	Item Number	Description	Remarks
1-12D,13-15	673103	X TUBE ASSEMBLY 16"- 18" ZGS	16 -18" WIDE

NOTE: THESE ITEMS USED FOR CHAIRS WITH 17"-18" SEAT DEPTH. (19"-20" FRAME DEPTH).



Pos.	Item Number	Description	Remarks
1	483039	1" INSERT PLUG ALUM ZP TS	
2	483184	STRUT SADDLE GROWING	
3	226129	1/4-28 x 1 1/4 BH C/S	
4	201100-QU	1/4-28 NYLOCK NUT THIN	
5	522802	STRUT TUBE 10"ZP/KZ	
5	522804	STRUT TUBE 12" ZP/P5/KZ	
5	522806	STRUT TUBE 14" ZP/P5/KZ	
6	201110-QU	1/4-28 NYLOCK NUT	
7	226150	1/4-28 x 2 BH C/S	
8A	561014	1" MED CAP	
8B	561018	1" TUBE END BUSHING THICK	
9	226130	1/4-28 x 1 1/2 BH C/S	
10	522829	STRUT TUBE 10" ZPTS GRW	
10	522830	STRUT TUBE 12" ZPTS GRW	
10	522831	STRUT TUBE 14" ZPTS GRW	
11	561004	1" SADDLE 1/4" HOLE	
12	342048	ADJ SEAT STOP 1"	
13A	505251	TILT BRACKET ZP TS 45°	45° TILT

Pos.	Item Number	Description	Remarks
13B*	505250	TILT BRACKET ZP TS 30°	30° TILT
14	561005	1" INSERT PLUG .125	
15	561002	1" INSERT PLUG .083	
8,14,16	660903	S/F PNTD ZP TS 1 1/8"	(SPECIFY COLOR)
2-4,9	920461	STRUT TUBE HDWR KT ZP TS GRW	
1,15,17	660900	TILT SEAT TUBE PNTD ZP TS	(SPECIFY COLOR)
18A	483052	FOOTREST EXT 3" ZP TS	
18B	483053	FOOTREST EXT 5" ZP TS	
19*	483040	REAR FRAME EXT .083 (15"-16") ZP	SEE NOTE ABOVE.
20	550119	STRUT TUBE MOUNT BRACKET	
21	201100-QU	1/4-28 NYLOCK NUT THIN	
22	262110-QU	1/4" AN WASHER FLAT THIN	
23	221127	14-28 x 1 3/8 HEX C/S	
3,4,18	920316	TS 3" FOOTREST EXT W/HDWR	
3,4,18B	920317	TS 5" FOOTREST EXT W/HDWR	
3,4,19*	920318	ZP REAR FRAME EXT 2" W/HDWR	SEE NOTE ABOVE.
5,9,10	675080	TS STRT TBE KIT GROWING SMALL	DOES NOT INCLUDE SADDLES.
5,9,10	675081	TS STRT TBE KIT GROWING MED	
5,9,10	675082	TS STRT TBE KIT GROWING LARGE	
2-4,6-8,11,13A,14,16	920301	ZP TS SIDE FRAME W/HDWR	

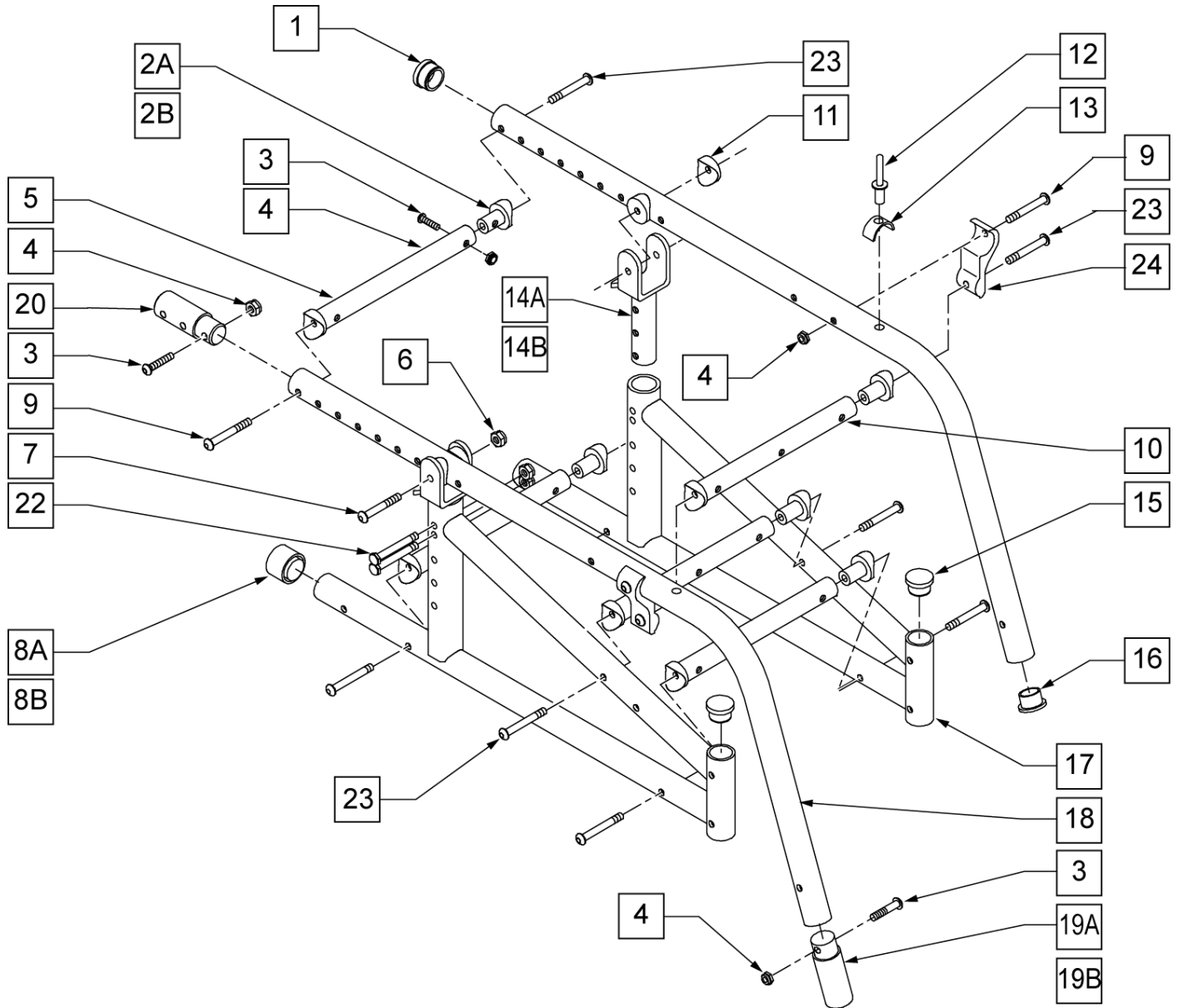
NOTE: When growing chair to 15" or 16". an additional cylinder lock mechanism is needed and item 8B is used with 12" rear wheel.

NOTE: For locking mechanism, see Section-16, *Mechanical Lock and Strut Assemblies*.

NOTE: Part 505250 (TILT BRACKET ZP TS 30°) Discontinued (Parts Only) and is only used on chairs prior to 9/21/02.

** These items used for chairs with (15" -16") seat depth (17" -19" Frame Depth).

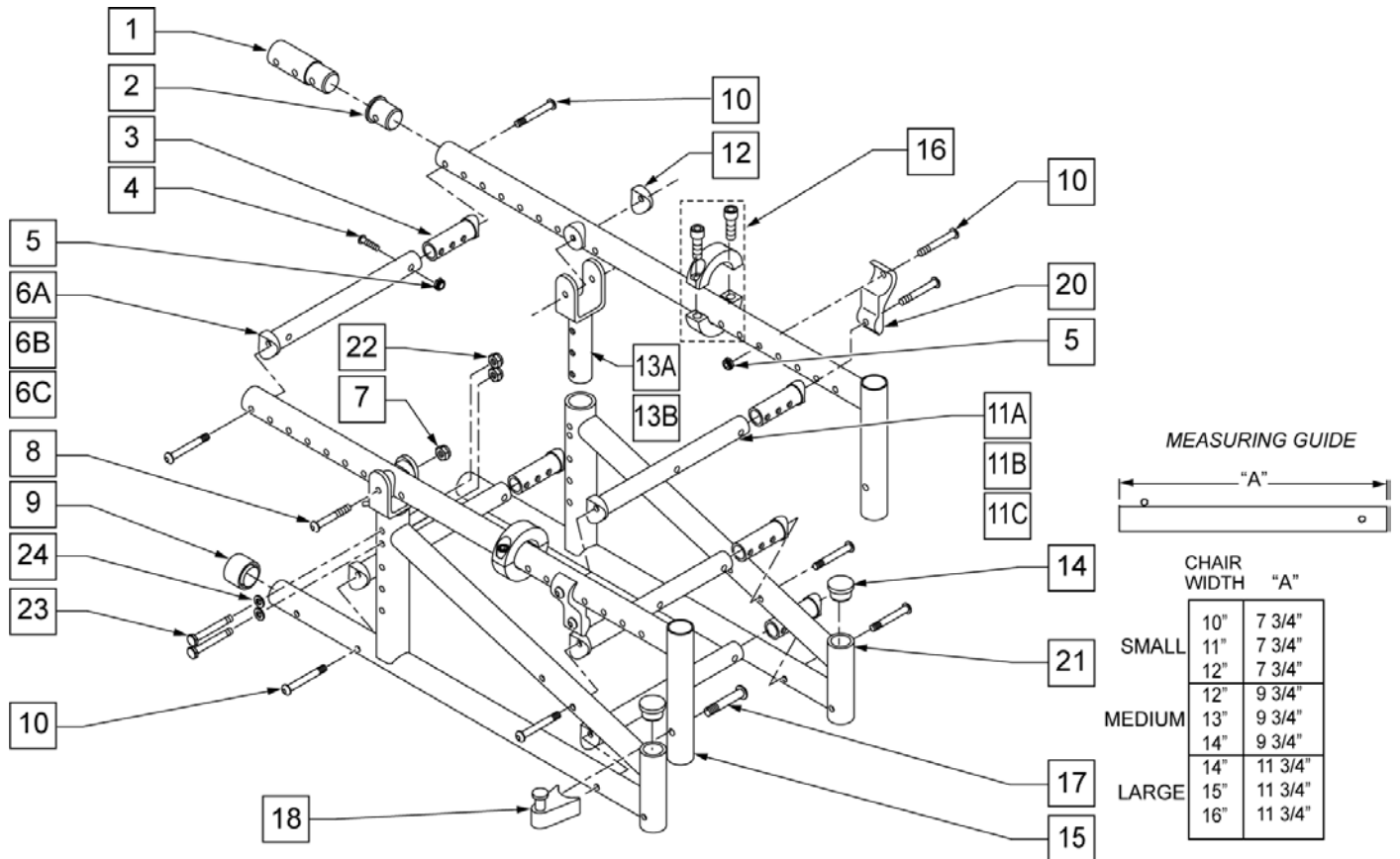
*** For serial numbers prior to ZP-56988, in the 11", 13", 15" and 16" sizes, please order part number 483184 (STRUT SADDLE GROWING) QTY of 2 per tube.



Pos.	Item Number	Description	Remarks
1	483039	1" INSERT PLUG ALUM ZP TS	
2A	483184	STRUT SADDLE ZGS	
2B	483161	STRUT SADDLE S525	
3	226129	1/4-28 x 1 1/4 BH C/S	
4	201100-QU	1/4-28 NYLOCK NUT THIN	
5**	522802	STRUT TUBE 10" ZP/KZ	

Pos.	Item Number	Description	Remarks
5**	522804	STRUT TUBE 12" ZP/P5/KZ	
5**	522806	STRUT TUBE 14" ZP/P5/KZ	
6	201110	1/4-28 NYLOCK NUT	
7	221127	1/4-28 X 1 3/8 HEX C/S	
8A	561014	1" MED CAP	
8B	561018	1" TUBE END BUSHING THICK	
9	226130	1/4-28 x 1 1/2 BH C/S	
10***	522829	STRUT TUBE 10" ZPTS GRW	
10***	522830	STRUT TUBE 12" ZPTS GRW	
10***	522831	STRUT TUBE 14" ZPTS GRW	
11	561004	1" SADDLE 1/4" HOLE	
12	240108	RIVET POP SSD64SSBS	
13	550489	SEAT STOP	
14A	505251	TILT BRACKET ZP TS 45°	
14B*	505250	TILT BRACKET ZP TS 30°	
15	561005	1" INSERT PLUG .125	
16	561002	1" INSERT PLUG .083	
8,15,17	660903	S/F PNTD ZP TS 1 1/8" (SPECIFY COLOR)	
2B,3,4,9	920344	STRUT TUBE HARDWARE KIT ZP TS	
1,12,13,16,18	660900	TILT SEAT TUBE PNTD ZP TS	SPECIFY COLOR
19A	483052	FOOTREST EXT 3" ZP TS	
19B	483053	FOOTREST EXT 5" ZP TS	
20	483040	REAR FRAME EXT .083 (15"-16") ZP	
21	550119	STRUT TUBE MOUNT BRACKET	
22	221127	1/4-28 x 1 3/8 HEX C/S	
3,4,19A	920316	TS 3" FOOTREST EXT W/ HARDWARE	
3,4,19B	920317	TS 5" FOOTREST EXT W/ HARDWARE	
3,4,20	920318	ZP REAR FRAME EXT 2" W/ HARDWARE	
2A-5,9,10	675096	STRUT TUBE RTRO GRWTH KT TS -SMALL	
2A-5,9,10	675097	STRUT TUBE RTRO GRWTH KT TS -MED	
2A-5,9,10	675098	STRUT TUBE RTRO GRWTH KT TS -LARGE	
4,9,14A,21	901730	45° TS RETRO KIT	
23	226267	1/4-28 x 1 5/8 BH C/S W/PATCH	

NOTE: * THESE ITEMS USED FOR CHAIRS WITH 17"-18" SEAT DEPTH. (19"-20" FRAME DEPTH).
 ** 505250 (TILT BRACKET ZP TS 30) DISCONTINUED (PARTS ONLY), AND IS USED ON CHAIRS PRIOR TO 9/21/02.



Pos.	Item Number	Description	Remarks
1*	483088	REAR FRAME EXT .065 15"-16" ZP	SEE NOTE:
2	483089	SEAT TUBE PLUG S/A TS/P5	
3	483184	STRUT SADDLE ZGS	
4	226129	1/4-28 x 1 1/4 BH C/S	
5	201100-QU	1/4-28 NYLOCK NUT THIN	
6A	522802	STRUT TUBE 10" ZP/KZ	10 -12" WIDE
6B	522804	STRUT TUBE 12" ZP/P5/KZ	12 -14" WIDE
6C	522806	STRUT TUBE 14" ZP/P5/KZ	14 -16" WIDE
7	201110-QU	1/4-28 NYLOCK NUT	
8	221127	1/4-28 x 2 BH C/S	
9	561014	1" MED CAP	
10	226130	1/4-28 X 1 1/2 HEX C/S	
11A	522829	STRUT TUBE TS 10" ZP TS	10 -12" WIDE
11B	522830	STRUT TUBE TS 12" ZP TS	12 -14" WIDE
11C	522831	STRUT TUBE TS 14" ZP TS	14 -16" WIDE
12	561004	1" SADDLE 1/4" HOLE	
13A	505251	TILT BRACKET ZP TS 45°	
13B**	505250	TILT BRACKET ZP TS 30°	SEE NOTE:
14	561005	1" INSERT PLUG .125	
16	342048	ADJ SEAT STOP 1"	

Pos.	Item Number	Description	Remarks
17	226190	5/16-18 x 1 3/4 BH C/S SHLDR	
18	551310	LATCH STUD SUPPORT BLK	
19	881691	S/A LATCH STUD NEW	
20	550119	STRUT TUBE MOUNT BRACKET	
22	201100-QU	1/4-28 NYLOCK NUT THIN	
23	226150	1/4-28 x 2 BH C/S	
24	262110-QU	1/4 AN WASHER FLAT THIN	
1,4,5*	920309	TS S/A 2" SEAT EXT W/HDWR	SEE NOTE:
1,4,5,15A	660908	SEAT TUBE S/A TS 19-20(NEW)	SPECIFY COLOR.
2,4,5,15B	660909	SEAT TUBE S/A TS (NEW)	SPECIFY COLOR.
3-5,10	920461	STRUT TUBE HDWR KT ZP TS GRW	
5,17-19	921295	S/A LATCH ASSEMBLY W/ BOLT BLK	
6A,10,11A	675080	TS STRT TBE KIT GROWING SMALL	SADDLES NOT INCLUDED.
6B,10,11B	675081	TS STRT TBE KIT GROWING MED	SADDLES NOT INCLUDED.
6C,10,11C	675082	TS STRT TBE KIT GROWING LARGE	SADDLES NOT INCLUDED.
5,10,13A,20	901730	45° TS RETRO KIT	
5,7-9,12-14,22-24	920301	ZP TS SIDE FRAME W/ HDWR	

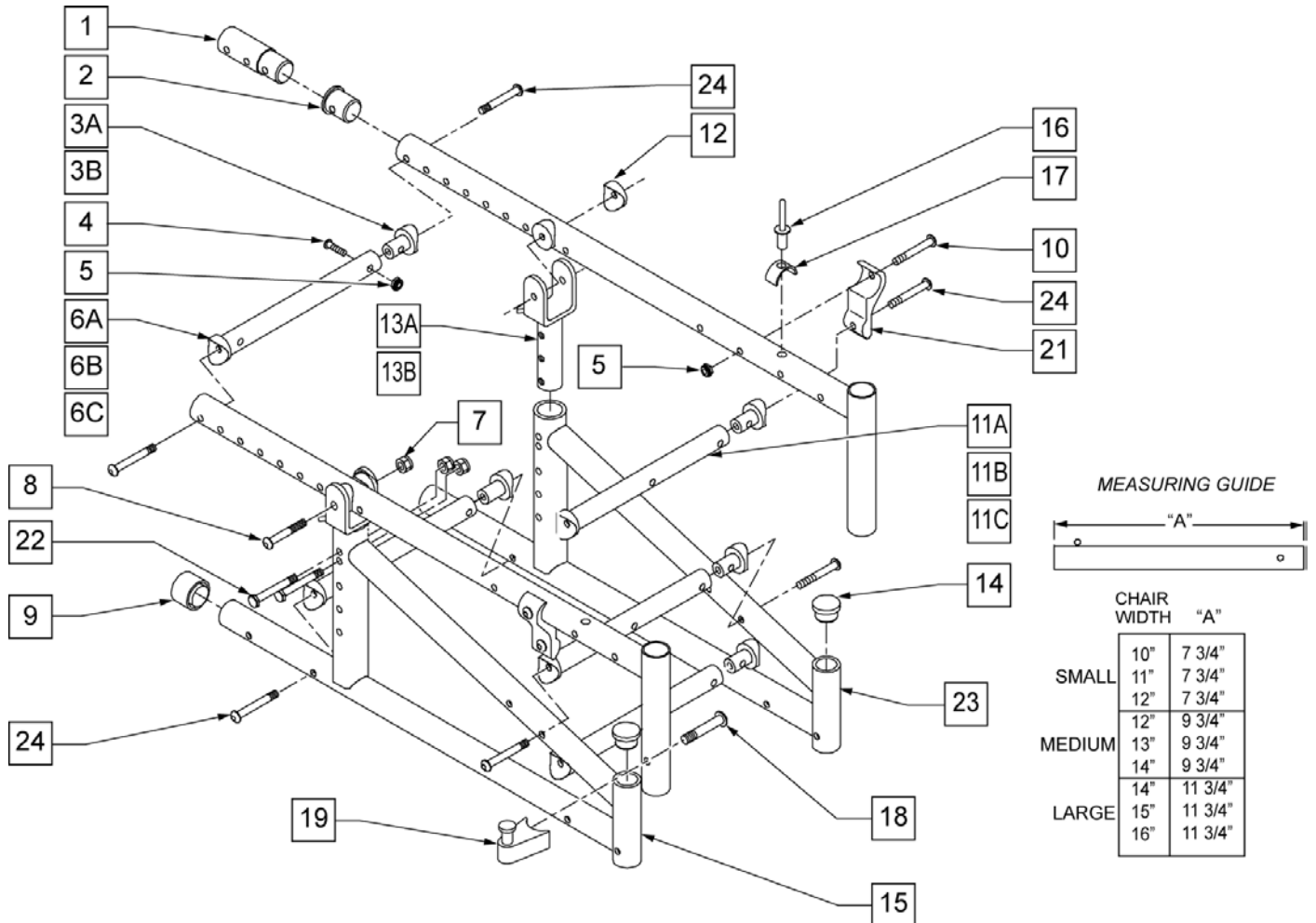
NOTE: When growing chair to 15" or 16". an additional cylinder lock mechanism is needed and item 8B is used with 12" rear wheel.

NOTE: For locking mechanism, see Section-16, *Mechanical Lock and Strut Assemblies*.

NOTE: Part 505250 (TILT BRACKET ZP TS 30°) Discontinued (Parts Only) and is only used on chairs prior to 9/21/02.

** These items used for chairs with (15" -16") seat depth (17" -19" Frame Depth).

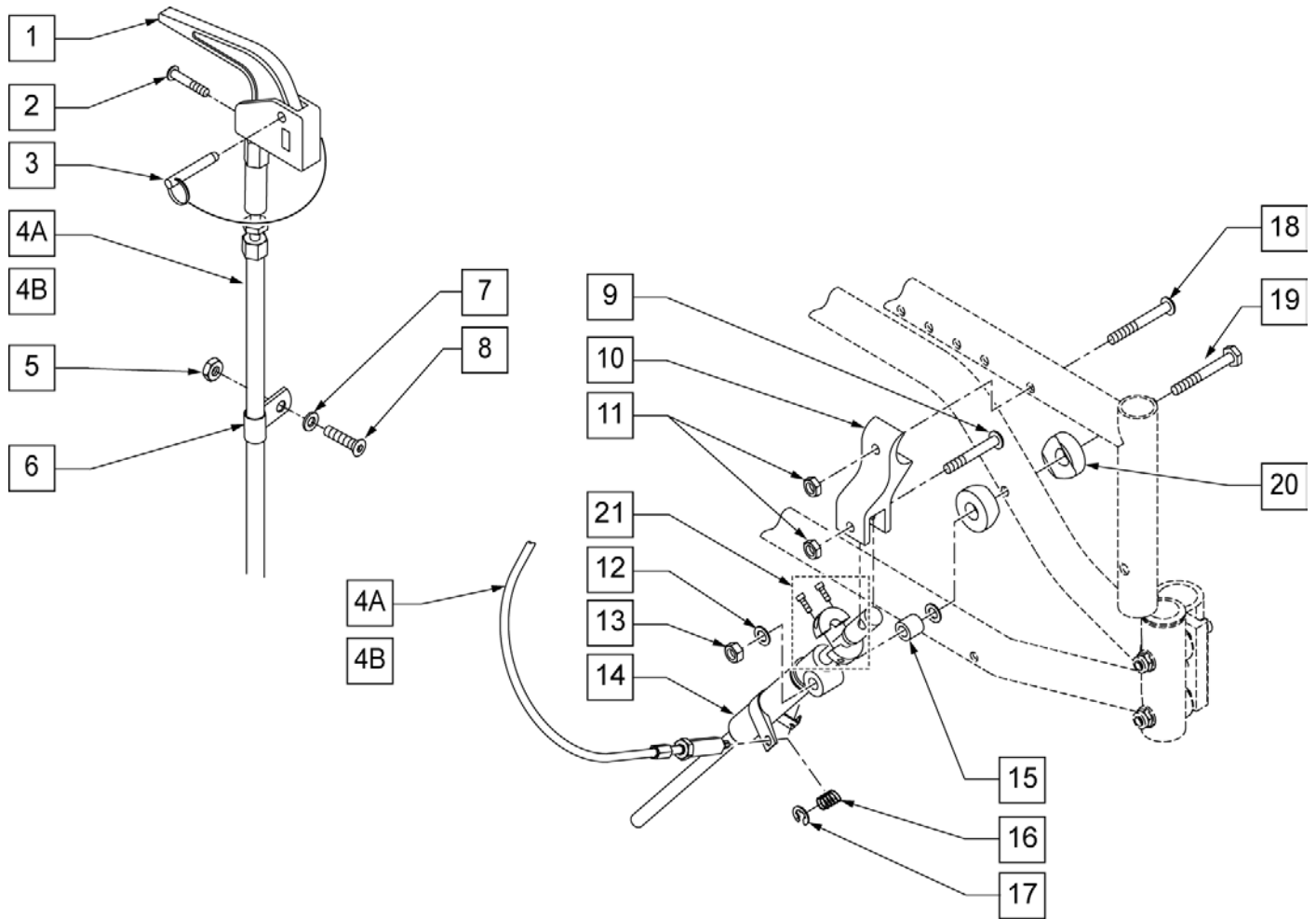
*** For serial numbers prior to ZP-56988, in the 11", 13", 15" and 16" sizes, please order part number 483184 (STRUT SADDLE GROWING) QTY of 2 per tube.



Pos.	Item Number	Description	Remarks
1**	483088	REAR FRAME EXT .065 15"-16" ZP	SEE NOTE:
2	483089	SEAT TUBE PLUG S/A TS/P5	
3A	483184	STRUT SADDLE ZGS	
3B	483161	STRUT SADDLE S525	
4	226129	1/4-28 x 1 1/4 BH C/S	
5	201100-QU	1/4-28 NYLOCK NUT THIN	
6A***	522802	STRUT TUBE ZP/KZ 10"	SEE NOTE:
6B***	522804	STRUT TUBE 12" ZP/P5/KZ	SEE NOTE:
6C***	522806	STRUT TUBE 14" ZP/P5/KZ	SEE NOTE:
7	201110-QU	1/4-28 NYLOCK NUT	
8	226150	1/4-28 x 2 BH C/S	
9	561014	1" MED CAP	
10	226130	1/4-28 x 1 1/2 BH C/S	

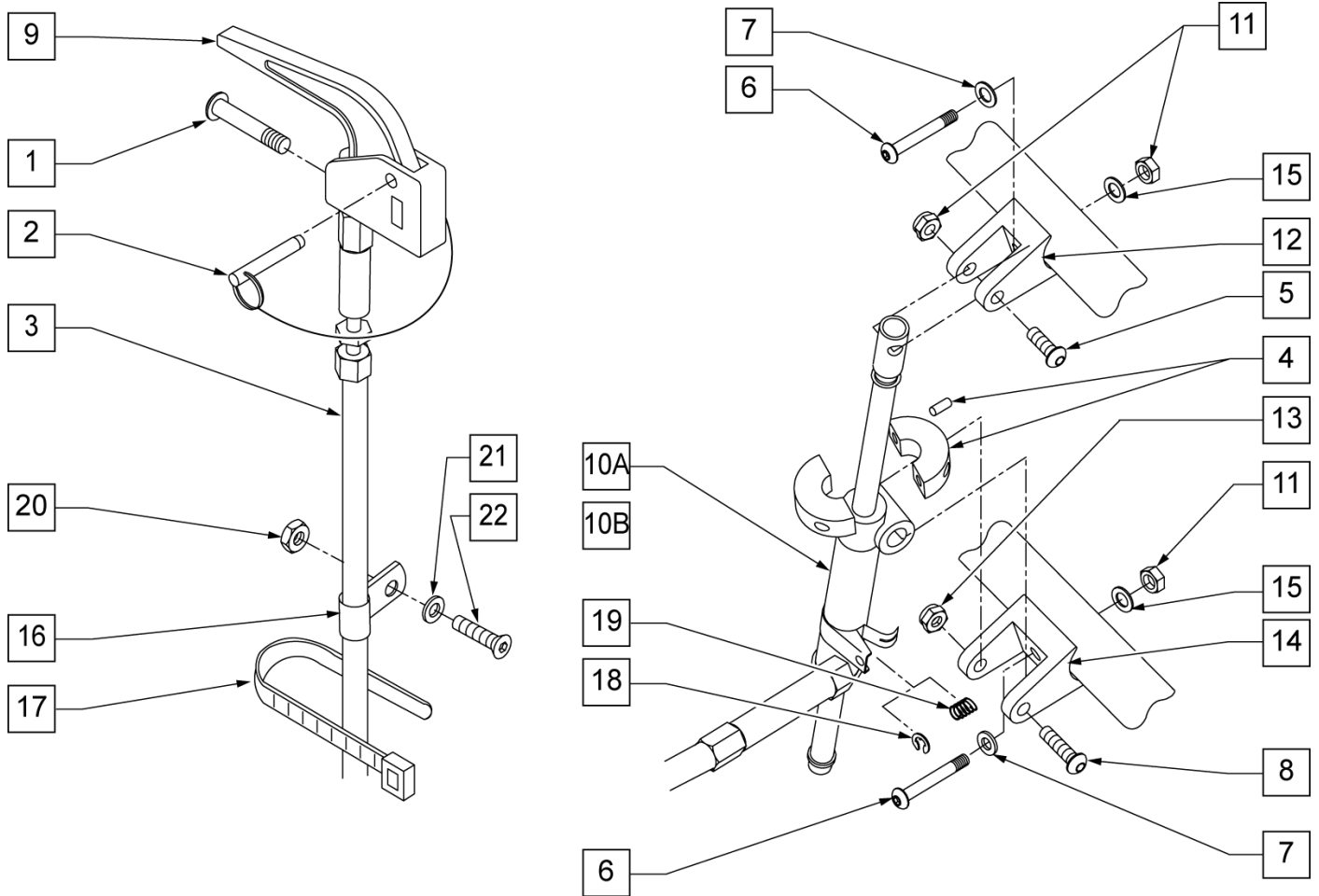
Pos.	Item Number	Description	Remarks
11A***	522829	STRUT TUBE TS 10" ZP TS	SEE NOTE:
11B***	522830	STRUT TUBE TS 12" ZP TS	SEE NOTE:
11C***	522831	STRUT TUBE TS 14" ZP TS	SEE NOTE:
12	561004	1" SADDLE 1/4" HOLE	
13A*	505251	TILT BRACKET ZP TS 45°	
13B*	505250	TILT BRACKET ZP TS 30°	SEE NOTE:
14	561005	1" INSERT PLUG .125	
16	240108	RIVET POP SSD64SSBS	
17	550489	SEAT STOP	
18	226190	5/16-18 x 1 3/4 BH C/S SHLDR	
19	881691	LATCH STUD SUPPORT BLK	
21	550119	STRUT TUBE MOUNT BRACKET	
22	221127	1/4-28 x 1 3/8 HEX C/S	
1,4,5**	920309	TS S/A 2" SEAT EXT W/HDWR	SEE NOTE:
2,15-17	660899	SEAT TUBE S/A PNTD TS/P5 (10"-14")	
3B,4,5,10	920344	STRUT TUBE HDWR KIT ZP TS	
5,18-20	921295	S/A LATCH ASSEMBLY W/BOLT BLK	
3A-6A,10,11A	675096	STRUT TUBE RETRO GRWTH KT TS SMALL	
3A-6B,10,11B	675097	STRUT TUBE RETRO GRWTH KT TS MED	
3A-6C,10,11C	675098	STRUT TUBE RETRO GRWTH KT TS LARGE	
13A,5,10,21	901730	45° TS RETRO KIT	
5,7,8,12-14,22,23	920301	ZP TS SIDE FRAME W/HDWR	
24	226267	1/4-28 x 1 5/8 BH C/S W/PATCH	

NOTE: * ITEM 4 USED WITH SMALL (10-12") AND MEDIUM (12-14") FRAME WIDTHS.
ITEM 4A USED WITH LARGE (14-16") AND X-LARGE (16-18") FRAM WIDTHS.



Pos.	Item Number	Description	Remarks
1	580110	CYL LOCK LEVER ASSM QT/QR/P5	
2	281120	10/32 x 5/8 PAN HD PHIL	
3	349021	TRIGGER REL PIN TS/QT/P5	
4A*	342057	CYL LOCK CABLE ASSM	
4B*	342056	CYL LOCK CABLE ASSM T45	
5	200100	10-32 NYLOCK NUT	
6	349511	1/2" ID PLST CLAMP BLK	
7	261204	#10 AN WASHER .063	
8	226032-QU	10-32 x 1 1/2 BH C/S BLK	
9	226131	1/4-28 x 1 1/4 BH C/S SHLDR	
10	500609	FLDG ZTS MCHLCK MNT SEAT FRM	
11	201100-QU	1/4-28 NYLOCK NUT THIN	
12	262100-QU	1/4 AN WASHER FLAT	
13	201110-QU	1/4-28 NYLOCK NUT	
14	342078	MECH CYLINDER LOCK BR RCLNR	RIGHT
14	342079	MECH CYLINDER LOCK BR RCLNR	LEFT
15	520916	FLDG ZTS MCHLCK PVT SPCR FRM	

Pos.	Item Number	Description	Remarks
16	321141	.650L x 6 COIL SPRING	
17	342000	1/4" E-CLIP	
18	226130	1/4-28 x 1 1/2 BH C/S	
19	221193	1/4-28 x 2 3/4 G8 HEX C/S	
20	561004	1" SADDLE 1/4" HOLE	
21	342049	10mm ID SPLIT COLLAR	
1-21	920652	MECH LOCK ASSM R SHT CBL NEW TS	RIGHT
1-21	920653	MECH LOCK ASSM L SHT CBL NEW TS	LEFT
1-3,4A,5-21	920771	MECH LOCKI ASSM R LNG CBL NEW TS	RIGHT
1-3,4A,5-21	920772	MECH LOCKI ASSM L LNG CBL NEW TS	LEFT
11,13,14,17	922055	ZTS MECH LOCK REPAIR KIT	
1-4A,6,14-17,21	922240	LOCKING MECH KIT SML/MED ZPTS	RIGHT
1-4A,6,14-17,21	922241	LOCKING MECH KIT SML/MED ZPTS	LEFT
1-4B,6,14-17,21	922242	LOCKING MECH KIT LRG/XLG ZPTS	RIGHT
1-4B,6,14-17,21	922243	LOCKING MECH KIT LRG/XLG ZPTS	LEFT

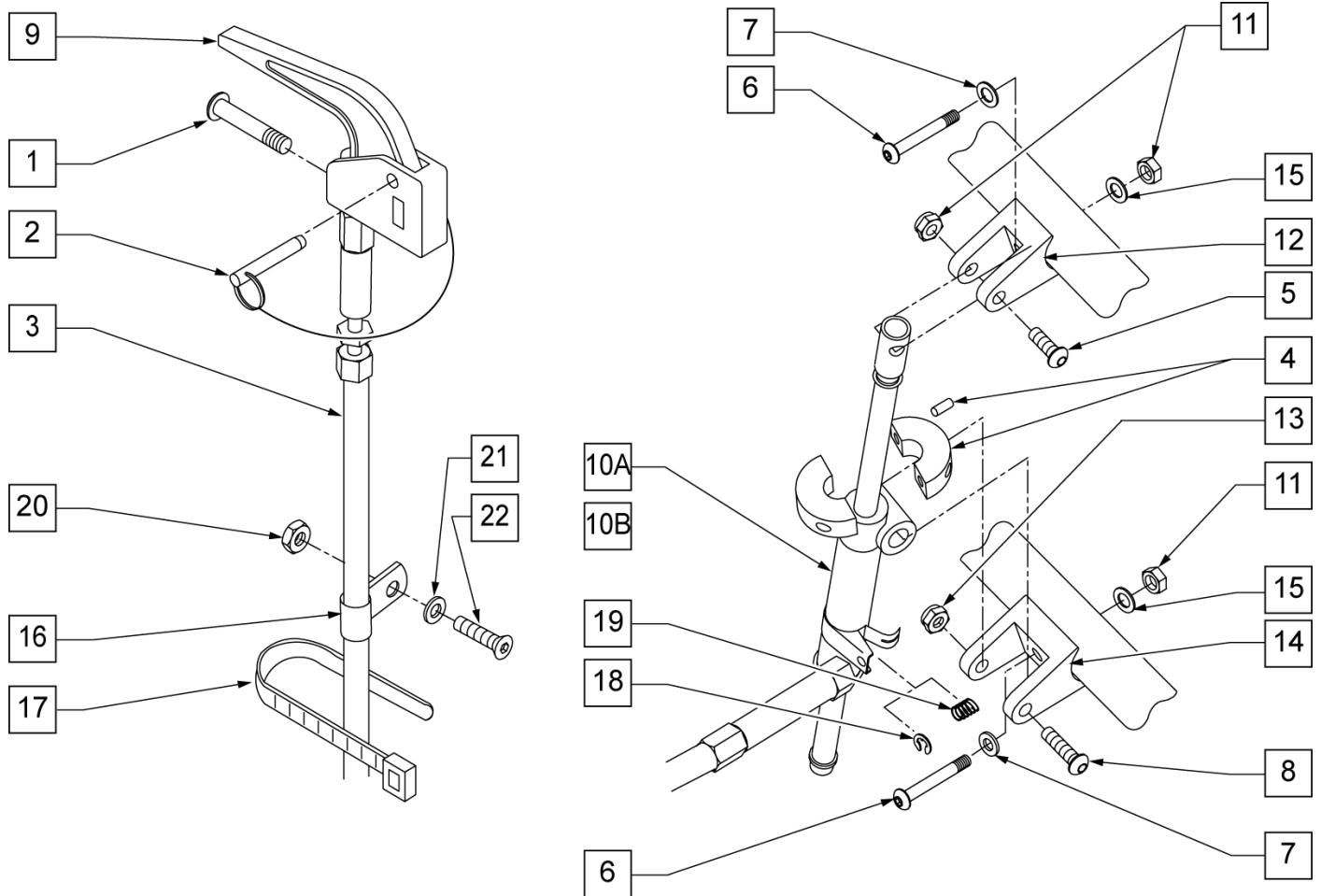


Pos.	Item Number	Description	Remarks
1	281120	10-32 x 5/8 PAN HD PHIL	
2	349021	TRIGGER RELEASE PIN TS/QT/P5	
3	342057	CYLINDER LOCK CABLE ASSEMBLY	
4	342049	10mm ID SPLIT COLLAR	
5	226129	1/4-28 x 1 1/4 BH C/S	
6	226130	1/4-28 x 1 1/2 BH C/S	
7	262100-QU	1/4 AN WASHER FLAT	
8	226190	5/16-18 x 1 3/4 BH C/S SHLDR	
9	580110	CYL LOCK LEVER ASSEMBLY QT/QR/P5	
10A	342078	MECH CYLINDER LOCK R BR RECLINER	
10B	342079	MECH CYLINDER LOCK L BR RECLINER	
11	201100-QU	1/4-28 NYLOCK NUT THIN	
12	500140	CYLINDER BRACKET 1" TS/P5	
13	202102	5/16-18 NYLOCK NUT THIN	
14	500141	CYLINDER BRACKET TS 1 1/2"	
15	262130	6mm WASHER WAVE	
16	349511	1/2" ID PLASTIC CLAMP BLK	
17	560410	ZIP TIE BLACK	
18	342000	1/4" E-CLIP	
19	321141	.650L x 6 COIL SPRING	
20	200100	10-32 NYLOCK NUT	
21	261204	#10 AN WASHER .063	

Pos.	Item Number	Description	Remarks
22	226032	10-32 x 1 1/2 BH C/S BLK	
1-3,5-9,10A,11-22	920493	MECH CYL LOCK ASSM R TS 45° NEW	RIGHT
1-3,5-9,10B,11-22	920494	MECH CYL LOCK ASSM L TS 45° NEW	LEFT

NOTE: 45 DEG MECHANICAL CYLINDER LOCK ASSEMBLY IS STANDARD BEGINNING 11/13/93.

* ITEM 4 REQUIRED ON ALL MECH LOCK ASSEMBLIES FOR CHAIRS WITH THE FOLLOWING CONFIGURATIONS: FIXED FRONT 15" AND 16"; 10" SEAT DEPTH; S/A MODELS WITH 6" AND 8" CASTERS. AND 2" EXTENSIONS; FIXED MODELS WITH 8" CASTER AND 2" EXTENSION.



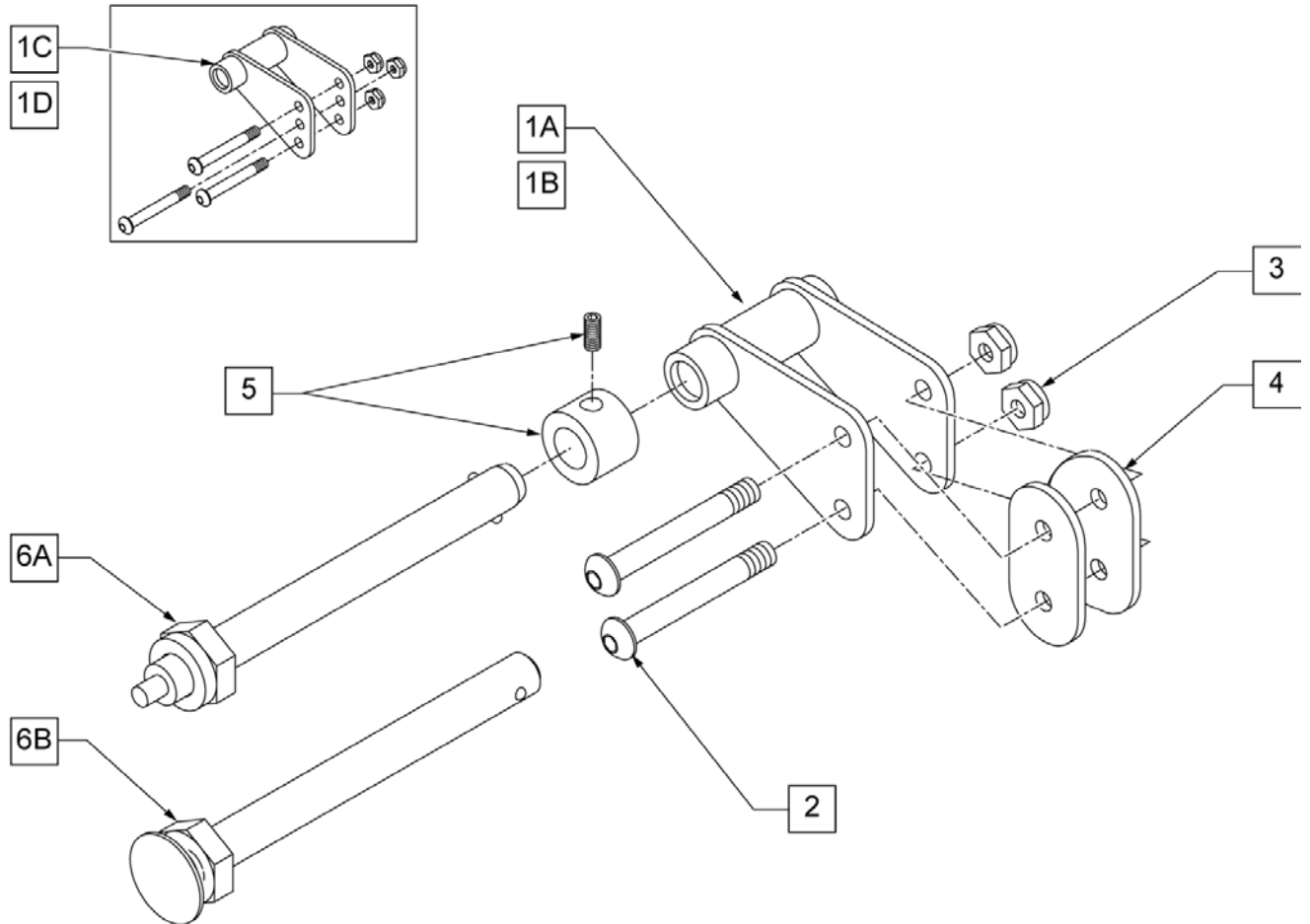
Pos.	Item Number	Description	Remarks
1	281120	10-32 x 5/8 PAN HD PHIL	
2	349021	TRIGGER RELEASE PIN TS/QT/P5	
3	342057	CYLINDER LOCK CABLE ASSEMBLY	
4*	342049	10mm ID SPLIT COLLAR	
5	226129	1/4-28 x 1 1/4 BH C/S	
6	226130	1/4-28 x 1 1/2 BH C/S	
7	262100-QU	1/4 AN WASHER FLAT	
8	226190	5/16-18 x 1 3/4 BH C/S SHLDR	
9	580110	CYL LOCK LEVER ASSEMBLY QT/QR/P5	
10A	342078	MECH CYLINDER LOCK R BR RECLINER	45° RIGHT
10A	342079	MECH CYLINDER LOCK L BR RECLINER	45° LEFT
10B	347051	MECH CYLINDER LOCK R	30° RIGHT
10B	342052	MECH CYLINDER LOCK L	30° LEFT
11	201100-QU	1/4-28 NYLOCK NUT THIN	
12	500140	CYLINDER BRACKET 1" TS/P5	

Pos.	Item Number	Description	Remarks
13	202102	5/16-18 NYLOCK NUT THIN	
14	500141	CYLINDER BRACKET TS 1 1/2"	
15	262130	6mm WASHER WAVE	
16	349511	1/2" ID PLASTIC CLAMP BLK	
17	560410	ZIP TIE BLACK	
18	342000	1/4" E-CLIP	
19	321141	.650L x 6 COIL SPRING	
20	200100	10-32 NYLOCK NUT	
21	261204	#10 AN WASHER .063	
22	226032	10-32 x 1 1/2 BH C/S BLK	
1-3,5-9,10A,11-22	920415	MECH CYL LOCK ASSEMBLY 45° R TS	RIGHT
1-3,5-9,10A,11-22	920405	MECH CYL LOCK ASSEMBLY 45° L TS	LEFT
1-10B,11-22	920315	MECH CYL LOCK ASSEMBLY 30° R TS	RIGHT
1-10B,11-22	920305	MECH CYL LOCK ASSEMBLY 30° L TS	LEFT

NOTE: WHEN USING MAG WITH A HEIGHT ADJUSTABLE ARM, ORDER PART NUMBERS 920129 AND 920117.

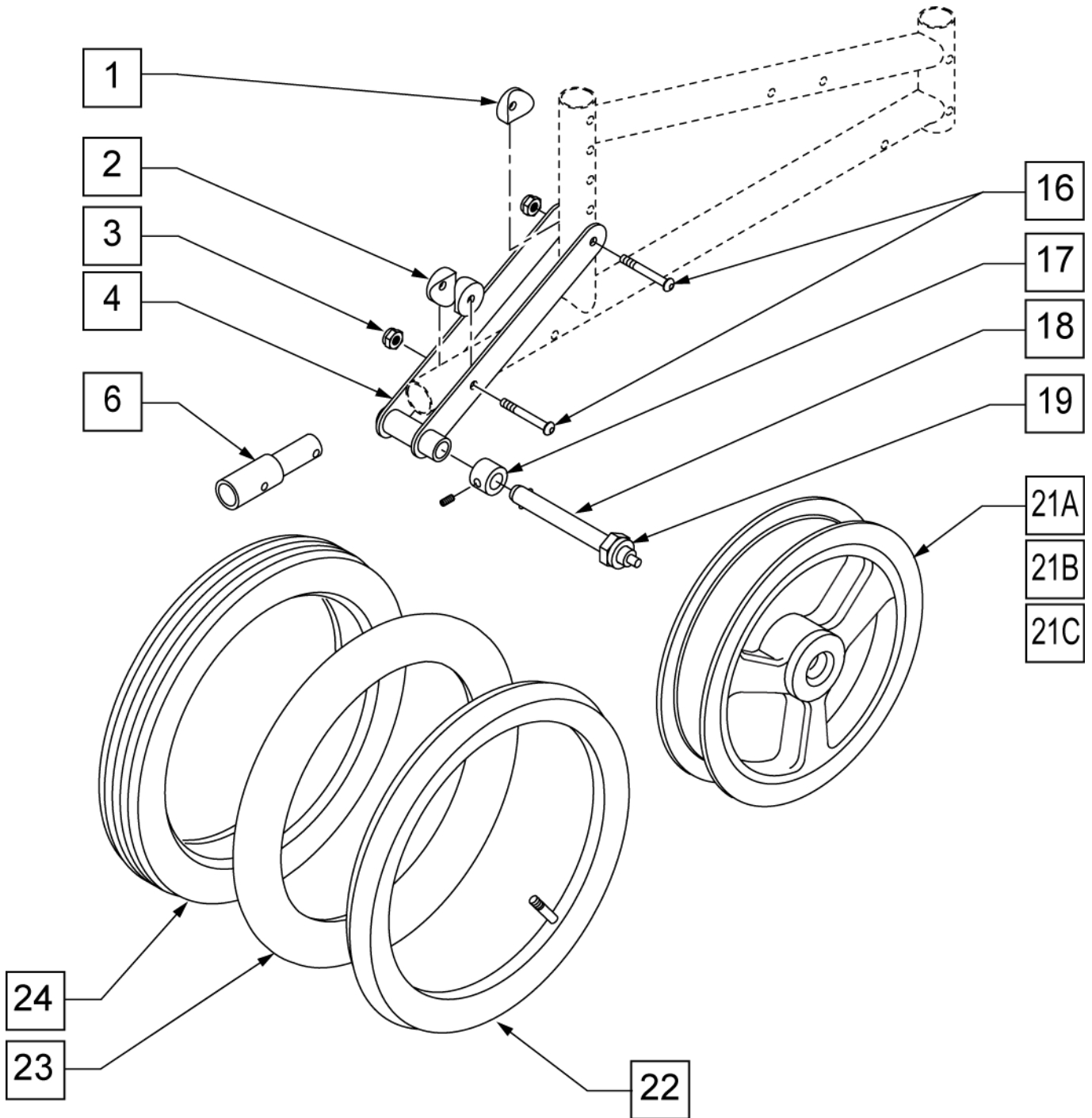
NOTE: ITEM 4 USED ON QUICKIE TS BEGINNING SERIAL NUMBER QT-2802.

* ORDER ITEMS 1 AND 1A FOR QUICKIE TS AMPUTEE AXLE PLATE.

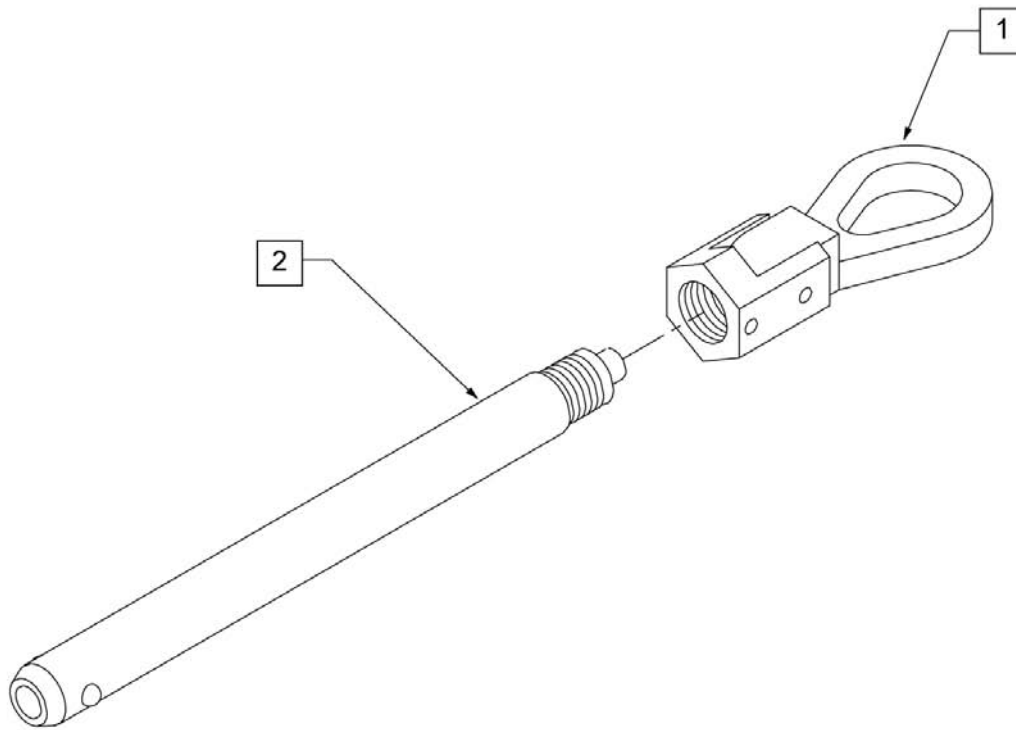


Pos.	Item Number	Description	Remarks
1A*	505320	QR AXLE PLATE ZP TS R	STANDARD SHORT)
1B*	505321	QR AXLE PLATE ZP TS L	STANDARD (SHORT)
1C*	506120	QR AXLE BRACKET ZP TS PLUS R	EXTENDED (LONG)
1D*	506121	QR AXLE BRACKET ZP TS PLUS L	EXTENDED (LONG)
2	226140	1/4-28 x 1 3/4 BH C/S	
3	201110-QU	1/4-28 NYLOCK NUT	
4	561085	1 1/8" HALF SADDLE 2 HOLE QTS	
5	920117	MAG SPACER 6S W/SET SCREW	
6A	920129	QR AXLE W/NUT	
6B	349069	QR AXLE AND NUT CLEAR BIG BTTN	
5,6A	920138	QR AXLE W/SPACER FOR 6S MAG	
1A,1B,2-4,6B	920132	ZP TS QR AXLE ASSEMBLY SPK	PAIR
1A,1B,2-6A	920142	ZP TS QR AXLE 6S MAG W/HDWR	PAIR
1C,1D,2-4,6B	920135	ZP TS QR AXLE ASSEMBLY SPOKE X-LONG	PAIR
1C,1D,2-6A	920143	ZP TS QR AXLE 6S MAG W/HARDWARE X-LONG	PAIR

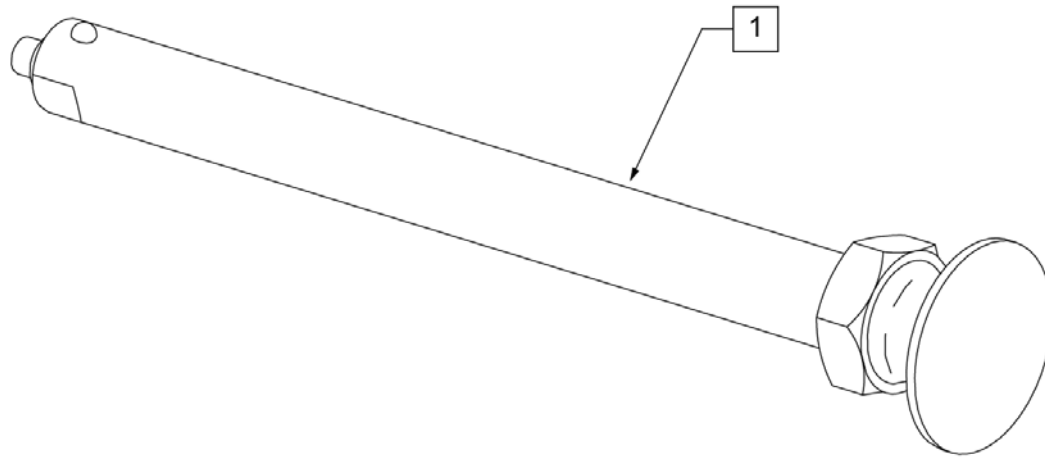
NOTE: * ITEM 7, MAG SPACER, NOT REQUIRED EFFECTIVE SERIAL NUMBER ZP-32173.



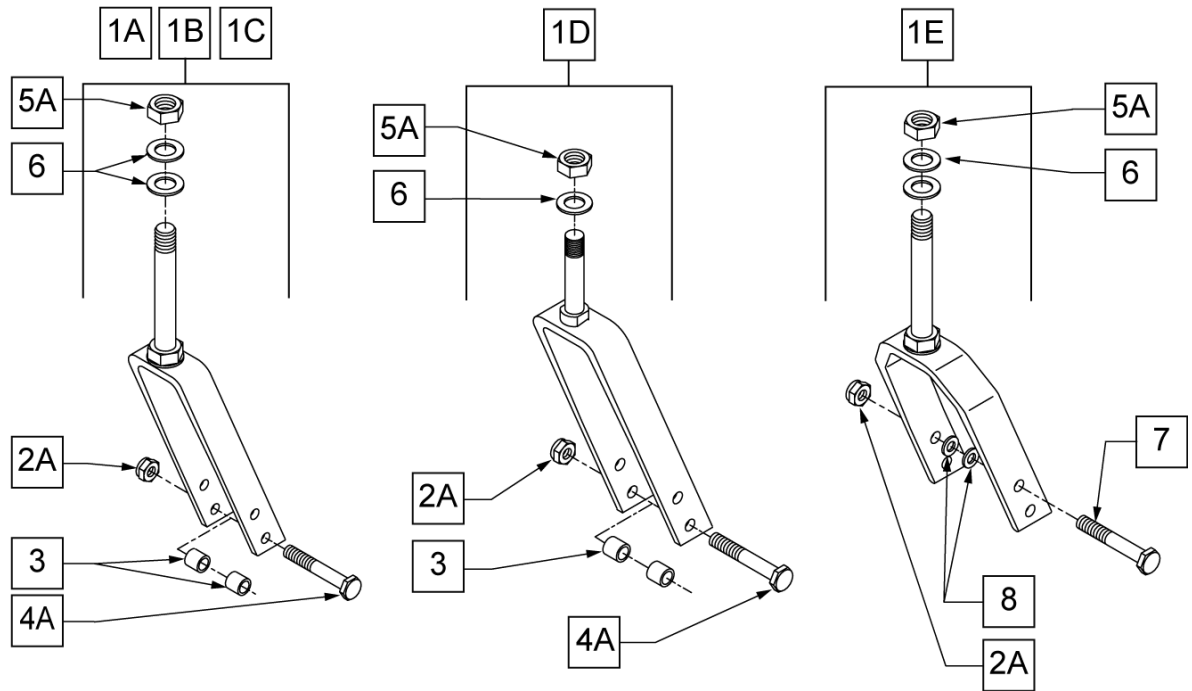
Pos.	Item Number	Description	Remarks
1	561001	1 1/8" SADDLE 1/4" HOLE	
2	561004	1" SADDLE 1/4" HOLE	
3	201100-QU	1/4-28 NYLOCK NUT THIN	
6	483097	ANTI-TIP INSERT 12" WHEEL	
16	226140	1/4-28 x 1 3/4 BH C/S	
17	920117	MAG SPACER 6S W/ SET SCREW	
18	349010	QUICK RELEASE AXLE	
1-6	920161	QR AXLE PLATE TS 12" WHEEL W/ AT REC	
17,18	920118	QR AXLE 12S MAG W/ NUT AND SPACER	
21A	101661	12" MAG PNEU 3 SPOKE	
21B	101662	12" MAG PNEU INSERT 3 SPOKE	
21C	101466	12" MAG POLY TIRE 3 SPOKE	
22	102972-001	12 1/2" AIRLESS INSERT	
23	384706	TIRE PNEU 12 1/2" x 2 1/4"	
24	384736	INNER TUBE 12 1/2" x 2 1/4"	



Pos.	Item Number	Description	Remarks
1	920139	QUAD RELEASE AXLE NUT	
1,2	922170	QR AXLE W/QUAD NUT PUSH BUTTON	

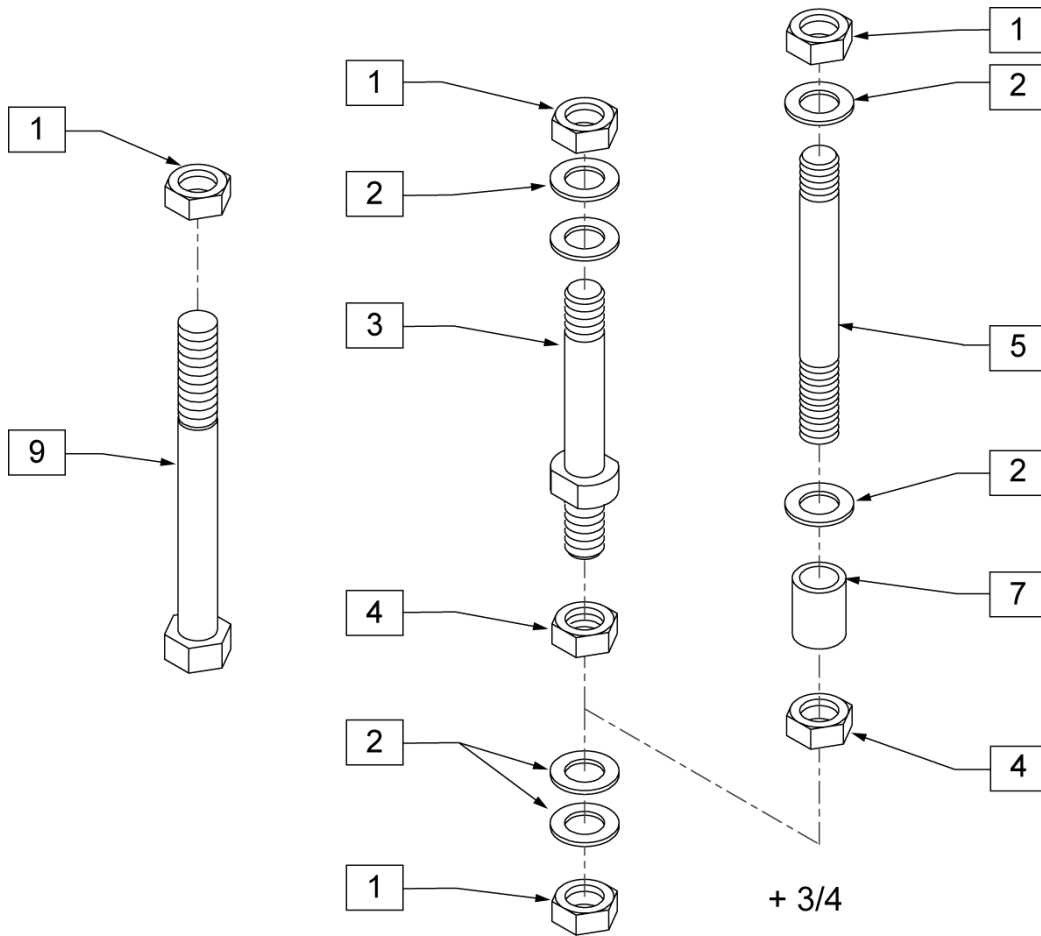


Pos.	Item Number	Description	Remarks
1	102064	QR AXLE M12 NUT CLR BIG BUTTON	

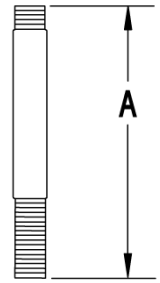


Pos.	Item Number	Description	Remarks
1A	780800	5 1/4" STD STEM W/ HDWR BLK	
1A	780802	5 1/4" STD STEM PL R W/ HDWR BLK	RIGHT
1A	780803	5 1/4" STD STEM PL L W/ HDWR BLK	LEFT
1A	780804	5 1/4" + 3/4" STEM W/ HDWR BLK	
1A	780806	5 1/4" + 3/4" STEM PL R W/ HDWR BLK	RIGHT
1A	780807	5 1/4" + 3/4" STEM PL L W/ HDWR BLK	LEFT
1A	780812	5 1/4" QR W/ HDWR O/S	
1B	780840	6" STD STEM W/ HDWR BLK	
1B	780842	6" STD STEM PL R W/ HDWR BLK	RIGHT
1B	780843	6" STD STEM PL L W/ HDWR BLK	LEFT
1B	780844	6 + 3/4" STEM W/ HDWR BLK	
1B	780846	6 + 3/4" STEM PL R W/ HDWR BLK	RIGHT
1B	780847	6 + 3/4" STEM PL L W/ HDWR BLK	LEFT
1B	780852	6" QR W/ HDWR O/S	
1C	780880	7" STD STEM W/ HDWR BLK	
1C	780882	7" STD STEM PL R W/ HDWR BLK	RIGHT
1C	780883	7" STD STEM PL L W/ HDWR BLK	LEFT
1C	780884	7 3/4" STEM W/ HDWR BLK	
1C	780886	7 3/4" STD STEM PL R W/ HDWR BLK	RIGHT
1C	780887	7 3/4" STD STEM PL L W/ HDWR BLK	LEFT
1C	780892	7" QR W/ HDWR O/S	
1D	780980	4 3/4" FORK STD STEM W/ HDWR BLK	
1D	780981	4 3/4" STD STEM PL W/ HDWR R BLK	RIGHT
1D	780982	4 3/4" STEM PL W/ HDWR BLK	
1D	780983	4 3/4" STEM PL W/ HDWR R BLK	RIGHT
1D	780986	4 3/4" + 3/4" STD STEM PL L W/ HDWR BLK	LEFT

Pos.	Item Number	Description	Remarks
1D	780987	4 3/4 + 3/4 STEM PL L W/ HDWR BLK	LEFT
1E	787111	8" x 2" FORK STD STEM W/ HDWR	
1E	787112	8" x 2 + 3/4" STEM W/ HDWR	
2A	202100-MJ	5/16-24 NYLOCK NUT THIN	
2B	330005	5/16-24 NYLOCK NUT ALUMINUM	
3	481113	SPACER 5/16 x .380	
4A	222200	5/16-24 x 2 1/2 HEX C/S	
4B	330110	5/16-24 x 2 1/2 HEX C/S Ti	
5A	203100	1/2-20 NYLOCK NUT	
5B	330010	1/2-20 NYLOCK NUT ALUMINUM	
6	264100	1/2 AN WASHER FLAT	
7	222253	5/16-24 x 3 1/4 HEX C/S	
8	263110-QU	5/16 AN WASHER FLAT	



MEASURING GUIDE

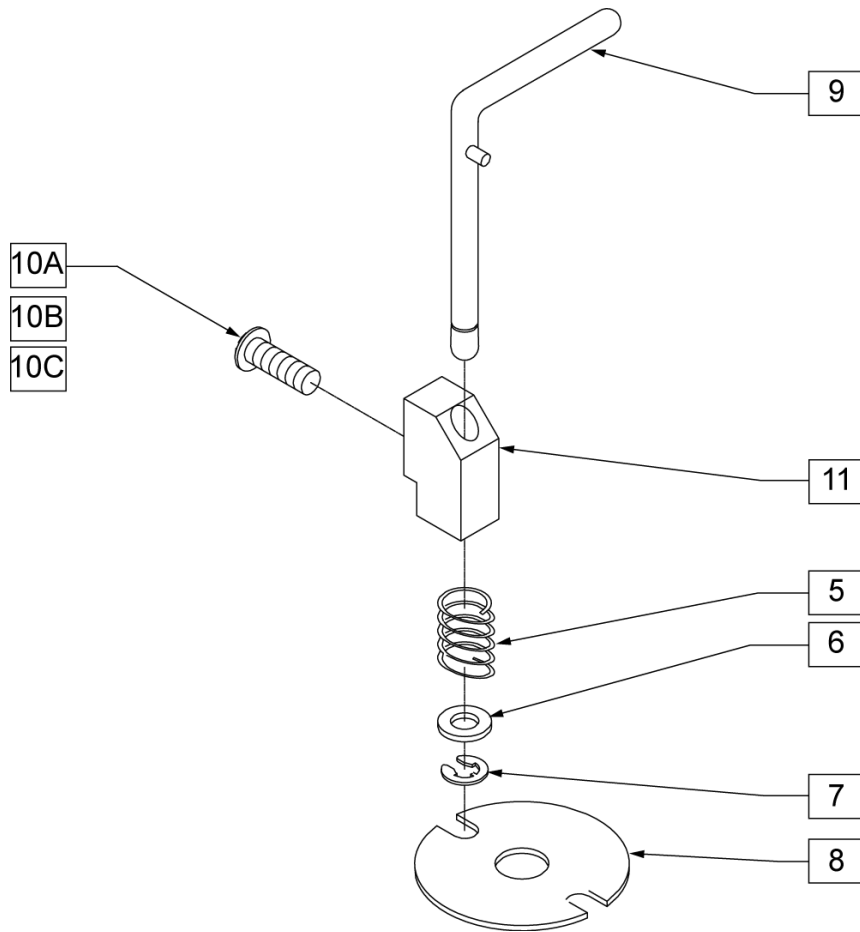


PART NUMBER	"A"
920050	3 5/8"
920100	4 3/8"

NOTE: CASTER STEM DIAMETER IS 1/2".

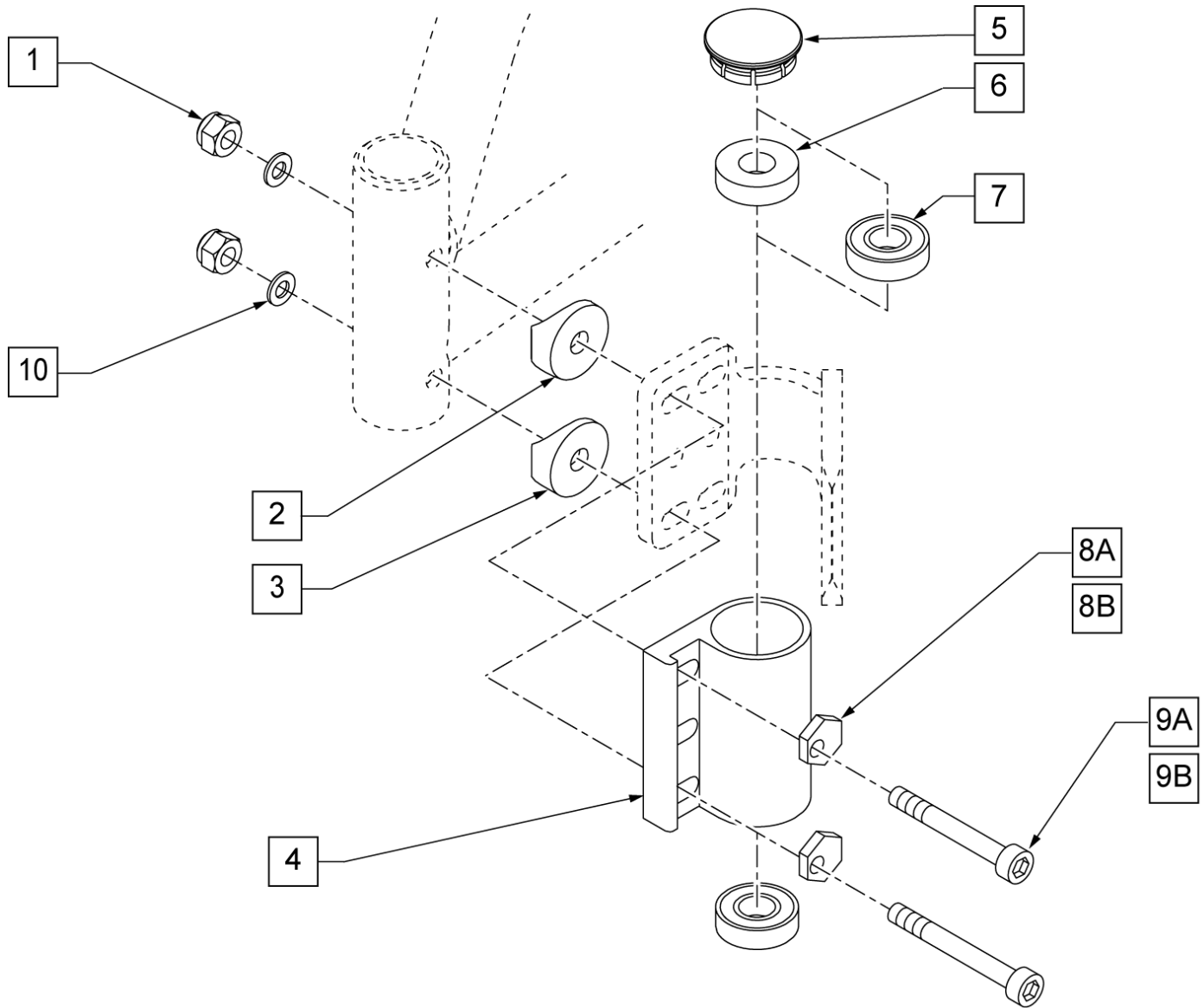
Pos.	Item Number	Description	Remarks
1	203100	1/2-20 NYLOCK NUT	
2	264100	1/2 AN WASHER FLAT	
4	203110	1/2-20 JAM NUT	
7	521560	3/4" CASTER STEM SPACER BLK	
9	222292	1/2-20 X 4" GR.8 HEX C/S	
1-3	920050	REG CASTER STEM W/HARDWARE	
1,2,4,5,7	920100	3/4" CASTER STEM W/HARDWARE BLK	
1,2,9	920056	BL CASTER STEM W/HARDWARE	

CASTER PIN LOCK



Pos.	Item Number	Description	Remarks
5	321141	.650L x 6 COIL SPRING	
6	262100-QU	1/4 AN WASHER FLAT	
7	324000	1/4" E-CLIP	
8	505012	CASTER PIN LOCK PLATE	
9	880761	PIN LOCK ARM W/ PIN S/A	RIGHT
9	880762	PIN LOCK ARM W/ PIN S/A	LEFT
10A	226090	1/4 - 28 x 5/8 BH C/S	
10B	221151-QU	1/4 - 28 x 1 3/4 G8 HEX C/S	
10C	221192	1/4 - 28 x 2 G8 HEX C/S	
11	500262	CASTER PIN LOCK BLOCK S/A BLK	
5-7, 9, 11	880750	CASTER PIN LOCK S/A	RIGHT
5-7, 9, 11	880751	CASTER PIN LOCK S/A	LEFT
5-9, 10C, 11	900807	CASTER PIN LOCK ASSM GP/GPV	
1-8	900804	CASTER PIN LOCK KIT TRIANGULAR CASTER NON-S/A OFF CHAIR	PAIR
5-11	900806	CASTER PIN LOCK ASSM S/A OFF CHAIR	PAIR

NOTE: * IS STANDARD HARDWARE FOR TRANSPORT OPTION.

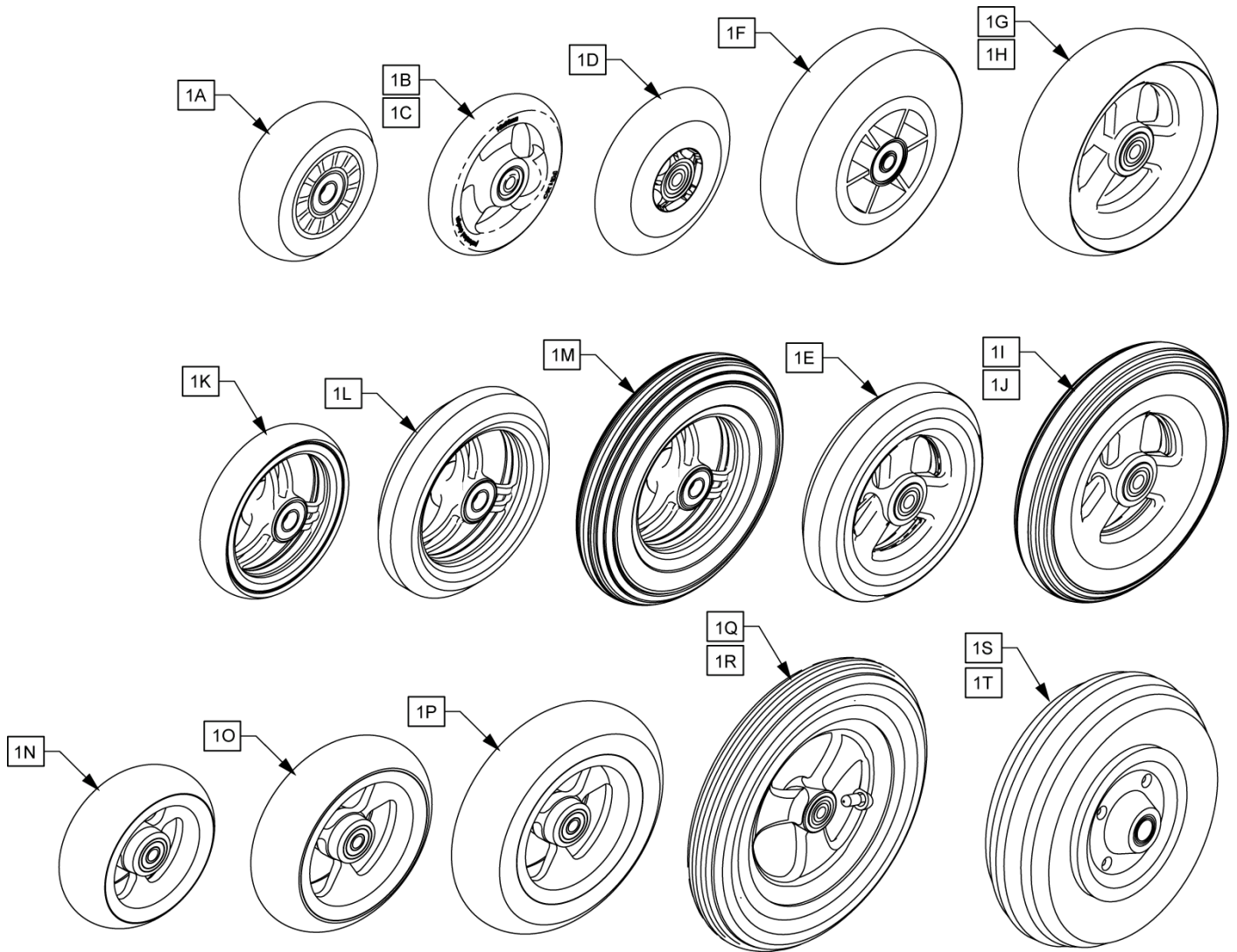


Pos.	Item Number	Description	Remarks
1	201120	1/4-28 AUTOMATION NUT	
2	561086	1" HALF SADDLE 1/4" HOLE	
3	561004	1" SADDLE 1/4" HOLE	
4	501520	CASTER PLATE BLACK ONLY	RIGHT
4	501522	CASTER PLATE BLACK ONLY	LEFT
5	561070	CASTER CAP PLASTIC	
5	920028	CASTER CAP PLASTIC	PAIR
6	561050	ANTI-FLUTTER BUSHING	
7	349500	1 1/8 x 1/2 BEARING	
8A	262128	WASHER ECCENTRIC HD 1/4" HOLE	
*8B	481430	ECCENTRIC WASHER TRANSPORT	

Pos.	Item Number	Description	Remarks
9A	225204	1/4-28 x 2 SOC HD C/S	
*9B	226257	1/4-28 x 2-1/4 SOC HD C/S	
10	262110-QU	1/4 AN WASHER FLAT	
4,6,7	780200	CASTER PLATE SNGL BRNG BLK	RIGHT
4,6,7	780201	CASTER PLATE SNGL BRNG BLK	LEFT
4,7	780210	CASTER PLATE DBL BRNG BLK	RIGHT
4,7	780212	CASTER PLATE DBL BRNG BLK	LEFT
1-3,5,8-10	920474	CASTER PLATE HI ANGLE HDWR KIT	

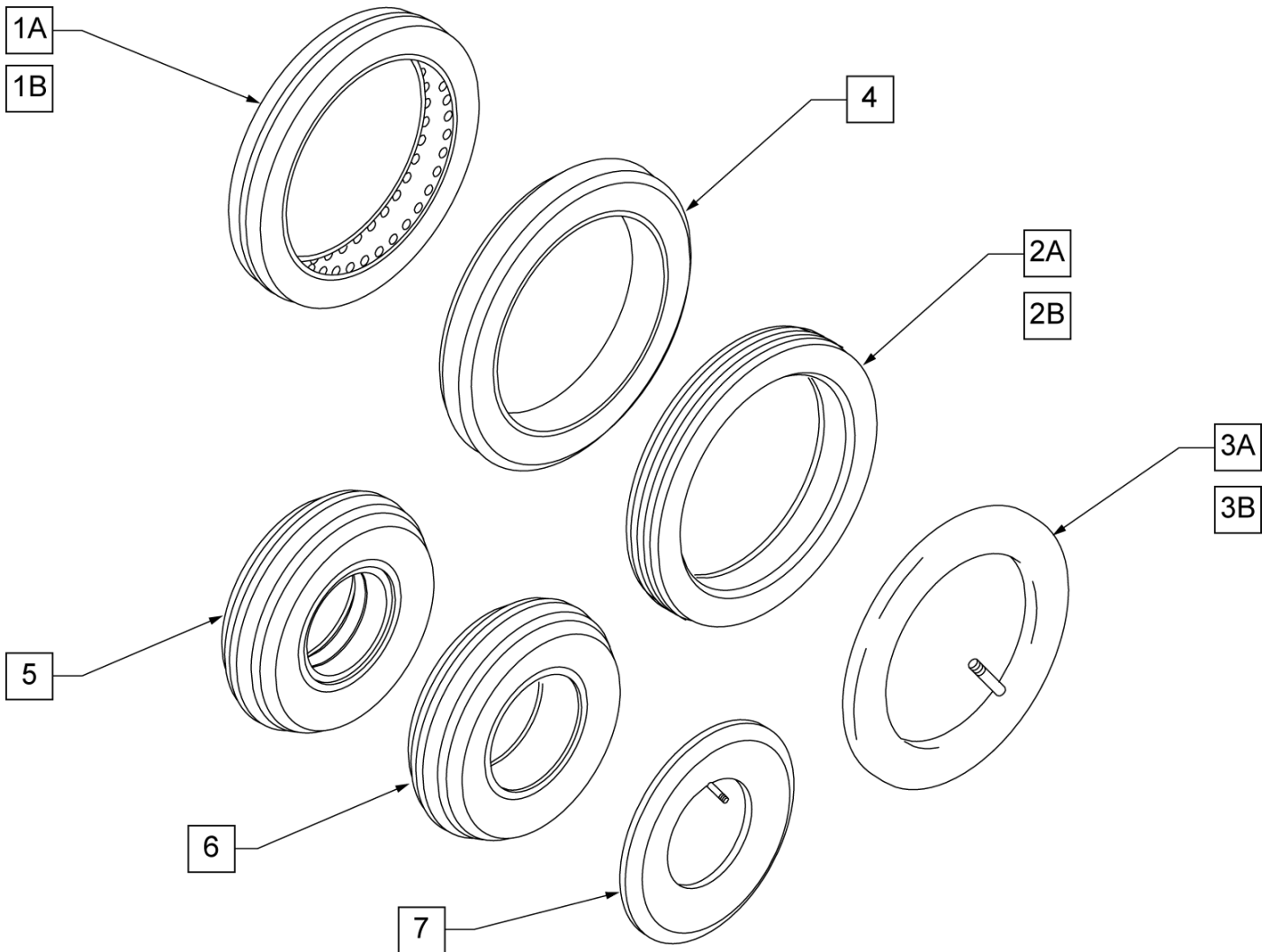
CASTERS

(01/2008)

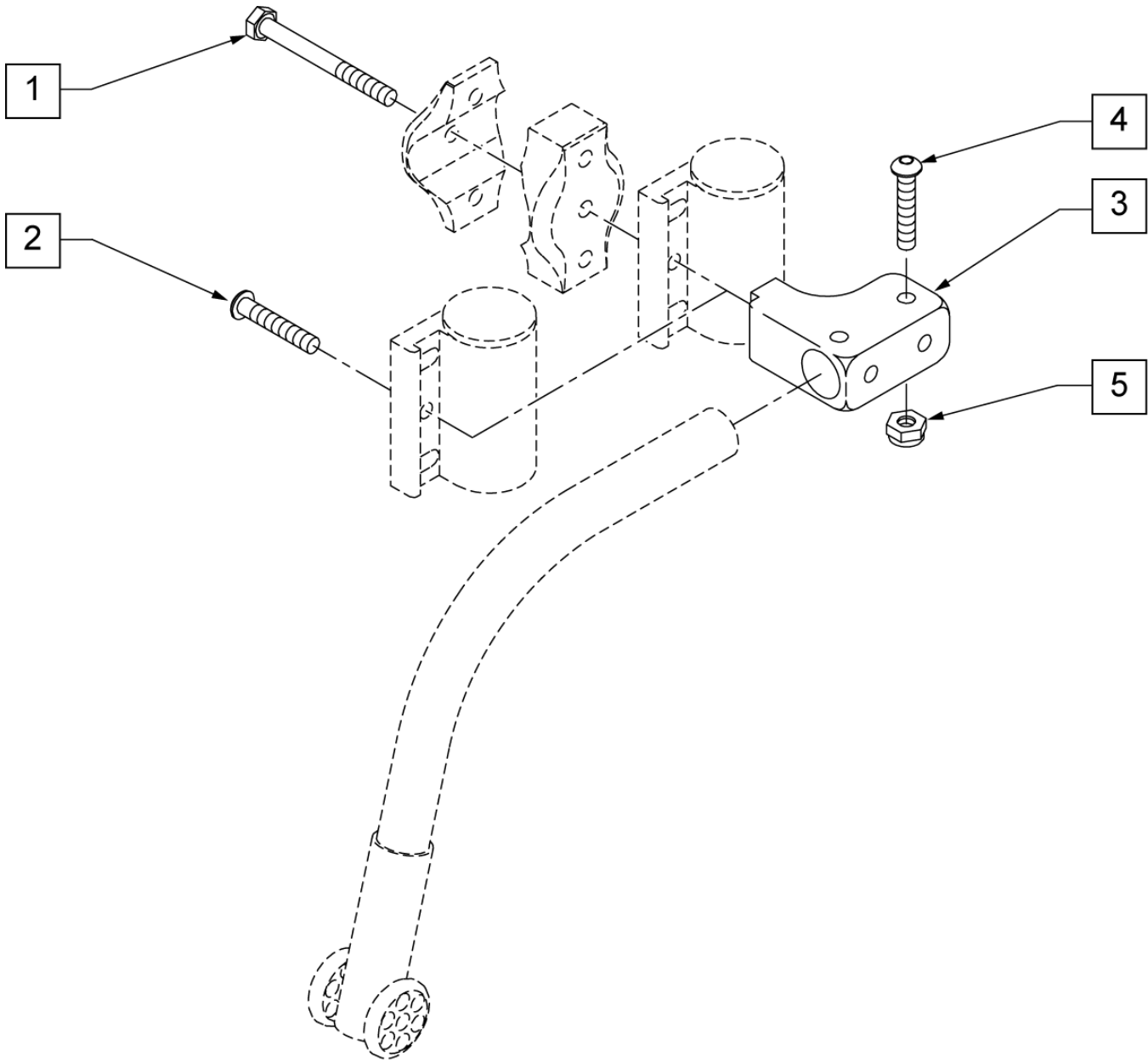


Pos.	Item Number	Description	Remarks	Pos.	Item Number	Description	Remarks
1A	400108	4" MICRO CASTER LIGHTED		1L	101946-002	CASTR 5X1 ALUM/POLY W/ BRNG CLR	
1B	101957	4" X1-1/4" POLY 3 SPOKE CASTER		1M	101946-003	CASTR 6X1 ALUM/POLY W/ BRNG CLR	
1C	101098	CASTER 4" PLASTIC/POLY W/ BRNG		1N	050157-004	WHL CASTER FROG LEGS 4X1.5 CLR	
1D	052129	5" MICRO CASTER LIGHTED		1O	050157-005	WHL CASTER FROG LEGS 5X1.5 CLR	
1E	101254	5" LOW POLY 3 SPOKE CASTER		1P	050157-006	WHL CASTER FROG LEGS 6X1.5 CLR	
1F	400103	CASTER 5" SOFT ROLL W/ BRNGS		1Q	400212	CASTER 8" PNEU 3 SPK ASSM	
1G	101259	5" X1-1/2" POLY 3 SPOKE CSTR		1R	400213	CASTER 8" POLY 3 SPK ASSM	
1H	101255	6" X1-1/2" POLY 3 SPOKE CSTR		1S	400700	8" X 2" CMPST W/PNEU & BEARING	
1I	101256	6" SEMI PNEU 3 SPOKE CASTER		1T	400702	8" X 2" CMPST W/PNEU INSRT & BRG	
1J	101257	6" PNEUMATIC 3 SPOKE CASTER		1U	400092	3" MICRO CASTER W/ BRNG	
1K	101946-001	CASTR 4X1 ALUM/POLY W/ BRNG CLR		1V	400107	3" MICRO CASTER LIGHTED	

NOTE: ITEM 4 (384246) MAY REQUIRE SPECIAL MOUNTING TOOLS AND/OR MAY BE DIFFICULT TO MOUNT. FOR COMPLETE ASSEMBLY, SEE CASTER/TIRE ASSEMBLIES PAGE.

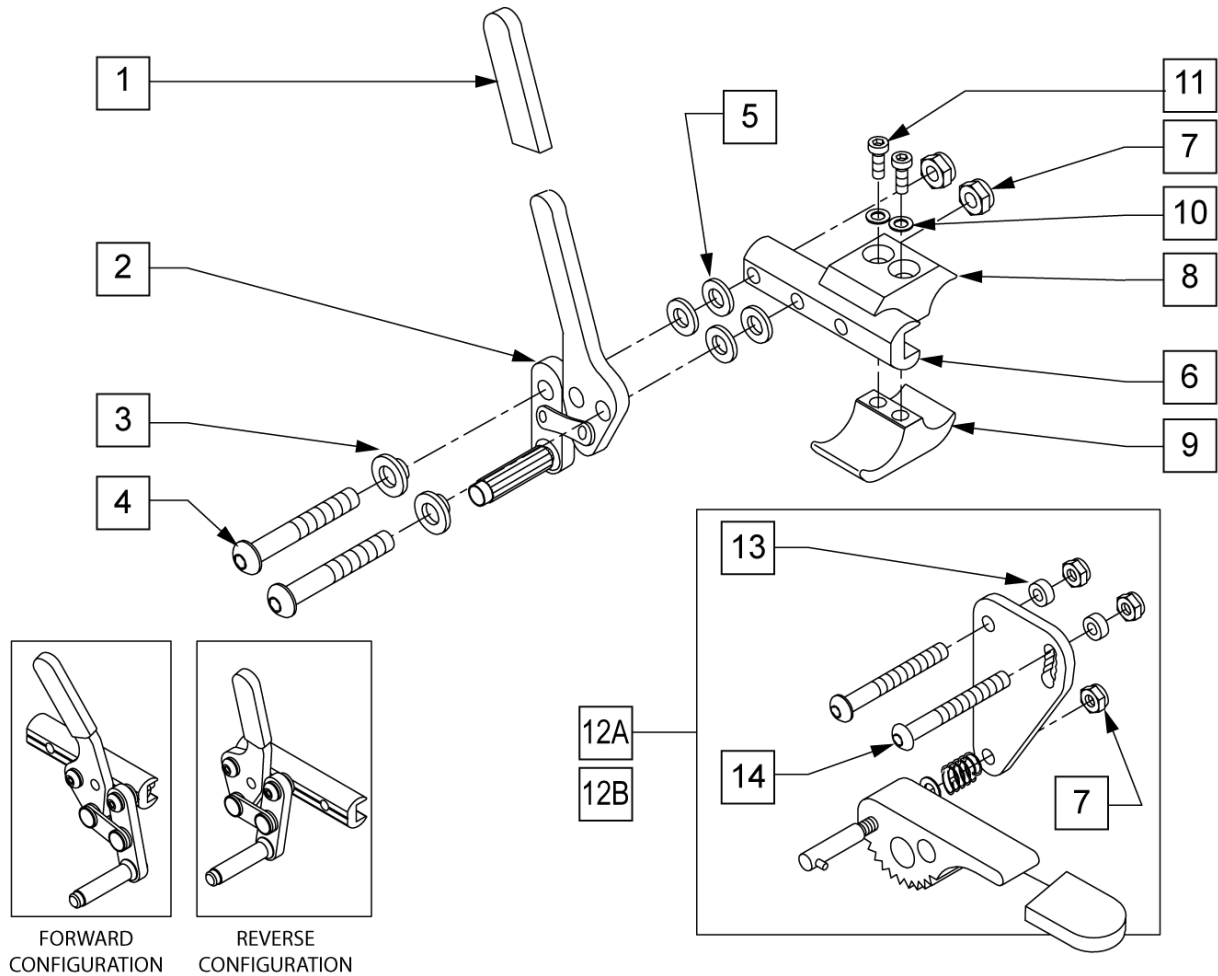


Pos.	Item Number	Description	Remarks
1A	384250	8" POLYURETHANE TIRE	
1B	384245	6" SEMI PNEU POLYURETHANE TIRE	
2A	383250	8" PNEUMATIC TIRE	
2B	383240	6" PNEUMATIC TIRE	
3A	382250	8" TUBE	
3B	382245	6" TUBE	
4	384246	5" LOW POLYURETHANE TIRE	
5	384701	TIRE FOAMED INSERT 8" x 2"	
6	384700	TIRE PNEUMATIC 8" x 2"	
7	384730	INNER TUBE CASTER 8" x 2"	
2,3	383255	8" PNEUMATIC TIRE AND TUBE	



Pos.	Item Number	Description	Remarks
1	221181	1/4-28 x 2 1/2 G8 HEX C/S	
2	226129	1/4-28 x 1 1/4 BH C/S	
3	505340	ANTI-TIP RECEIVER BLOCK FRONT	
4	226029-QU	10-32 x 1 1/8 BH C/S BLK	
5	200100-QU	10-32 NYLOCK NUT	
1-5	920408	FRONT ANTI-TIP REC CASTER MOUNT	PAIR

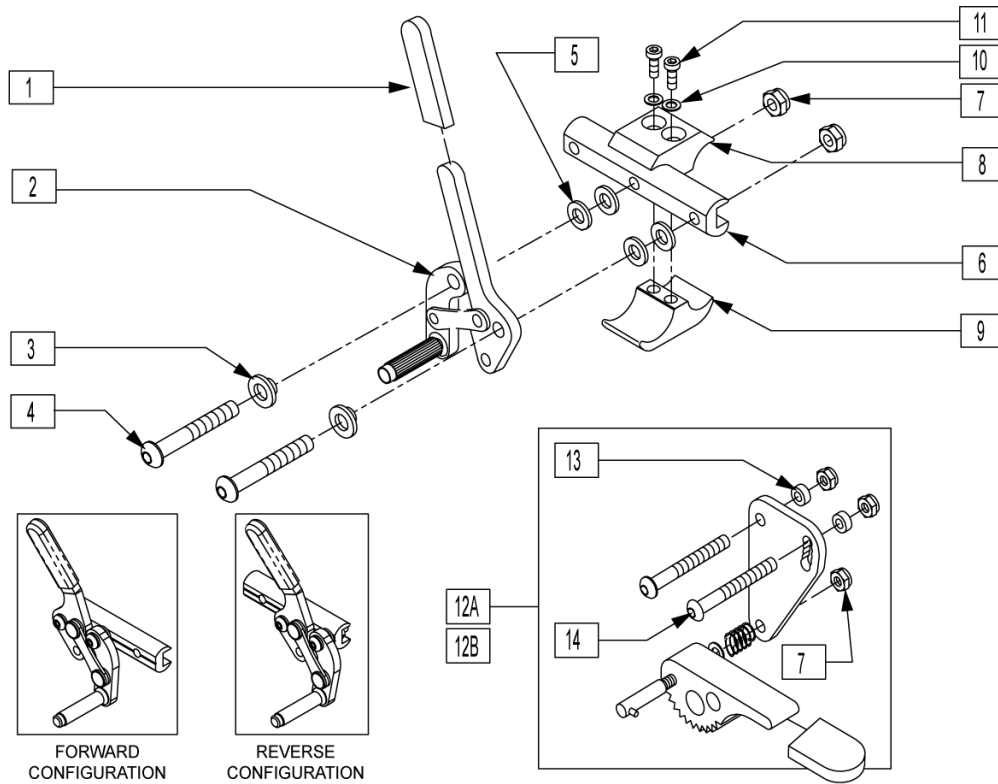
NOTE: * ITEM 1 USED ONLY WITH STANDARD BACK KIT AND 20" WHEELS FORWARD MOUNTED OR 22"/24" WHEELS REVERSE MOUNTED.



Pos.	Item Number	Description	Remarks
1	560500-QU	HB PLASTIC COVER	
1,2	881748	WHEEL LOCK ASSM R PUSH	
1,2	881749	WHEEL LOCK ASSM L PUSH	
1,2,5	880530	WHL LCK ARM ASSM R PUSH W/GRIP	
1,2,5	880532	WHL LCK ARM ASSM L PUSH W/GRIP	
3	560126	.250 ID .312 OD BUSHING PLASTIC	
4	226125	1/4-28 X 1 1/8 BH C/S	
5	561028	1/4" NYLON WASHER	
6	550374	WHEEL LOCK SLIDE BLOCK 3 1/2" BLK	
7	201120	1/4-28 AUTOMATION NUT	
8	550659	CLAMP 1 1/4" RECESS HALF BLK	
9	550258	CLAMP 1 1/4" THREADED CLR	
10	262114	1/4 WASHER HI COLLAR LOCK ZN	
11	226112	1/4-28 x 1 SOC C/S BLK	

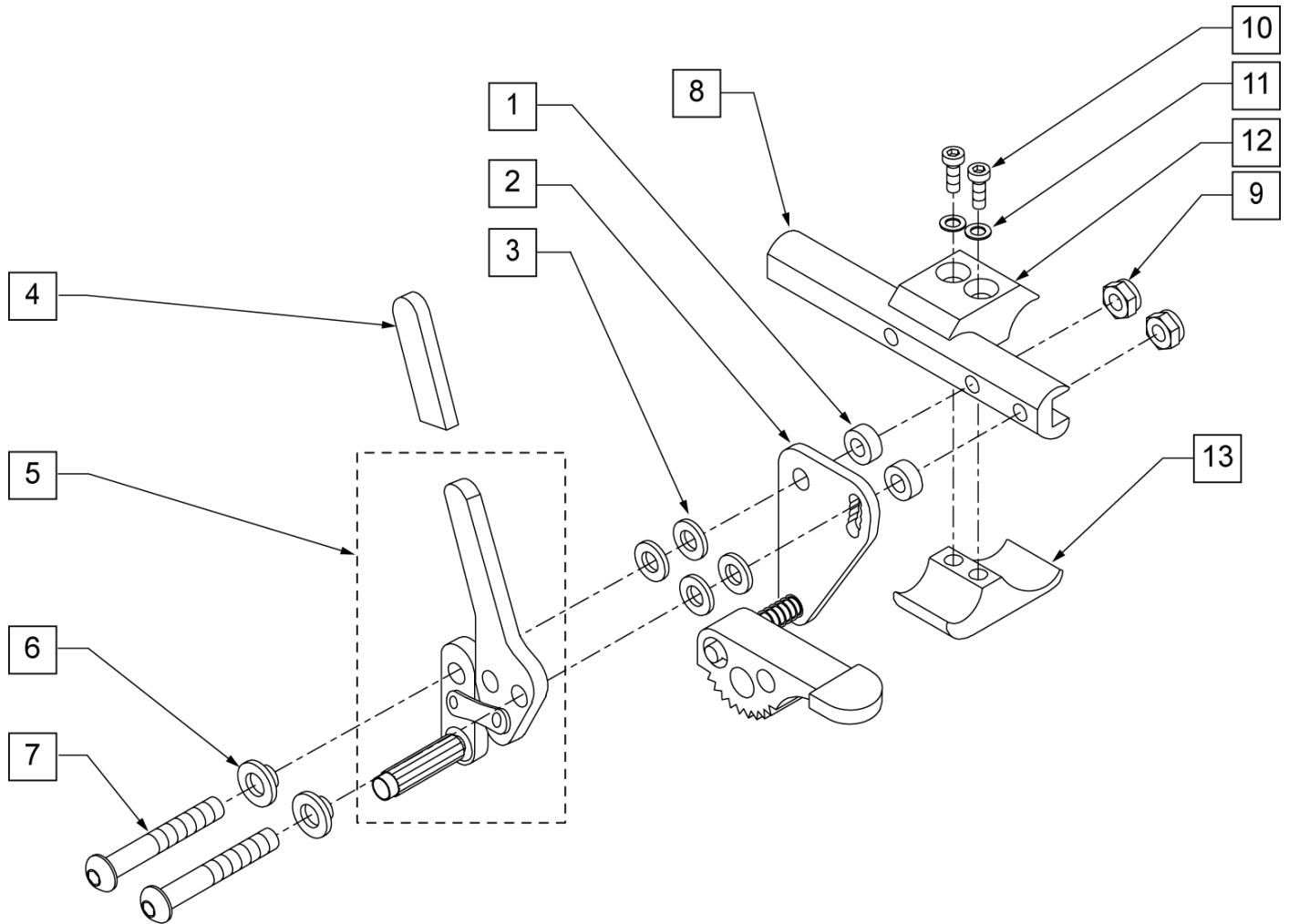
Pos.	Item Number	Description	Remarks
12A	880916	GRADE AID PLATE W/WHL & HDWR R	
12A	880917	GRADE AID PLATE W/WHL & HDWR L	
12B	880912	GRADE AID ASSM BLK R N/CLAMP	
12B	880913	GRADE AID ASSM BLK L N/CLAMP	
13	483027	1/4 x 1/4 ALUMINUM SPACER BLK	
14	226130	1/4-28 x 1 1/2 BH C/S	
8-11	880539	WHL LOCK CLAMP ASSM CLR	
8-11	880594	WHEEL LOCK 1 AD CLAMP ASSEMBLY BLK	
8-12A	880914	GRADE AID ASSM BLK R W/CLAMP	
8-12A	880915	GRADE AID ASSM BLK L W/CLAMP	
8-12A	900904	GRADE AID ASSM BLK W/CLAMP	
1-7	883010	WHL LOCK PUSH R W/O CLMP BLK	FORWARD CONFIG.
1-7	883011	WHL LOCK PUSH L W/O CLMP BLK	FORWARD CONFIG.
1-7	881762	WHL LOCK PUSH R REV N/ CLMP BLK	REVERSE CONFIG.
1-7	881763	WHL LOCK L PUSH REV N/ CLMP BLK	REVERSE CONFIG.
1-7,12B	881754	WHL LOCK R PUSH W/G.A. N/ CLMP BLK	
1-7,12B	881755	WHL LOCK L PUSH W/G.A. N/ CLMP BLK	
1-11	881965	WHL LOCK PUSH R W/ CLMP BLK	FORWARD CONFIG.
1-11	881966	WHL LOCK PUSH L W/ CLMP BLK	FORWARD CONFIG.
1-11,12B	881969	WHL LOCK R PUSH W/ G.A. W/CLMP BLK	
1-11,12B	881970	WHL LOCK L PUSH W/ G.A. W/CLMP BLK	
1-11	881973	WHL LOCK PUSH R REV W/CLMP BLK	REVERSE CONFIG.
1-11	881974	WHL LOCK PUSH L REV W/CLMP BLK	REVERSE CONFIG.
1-11	901551	WHEEL LOCK PUSH W/CLAMP BLK	PAIR, FORWARD CONFIG.
1-11,12B	901557	WHEEL LOCK PUSH W/GRADE AID W/CLAMP BLK	PAIR
1-11	901542	WHEEL LOCK PUSH REV W/CLAMP BLK	PAIR, REVERSE CONFIG.

WHEEL LOCK PULL TO LOCK

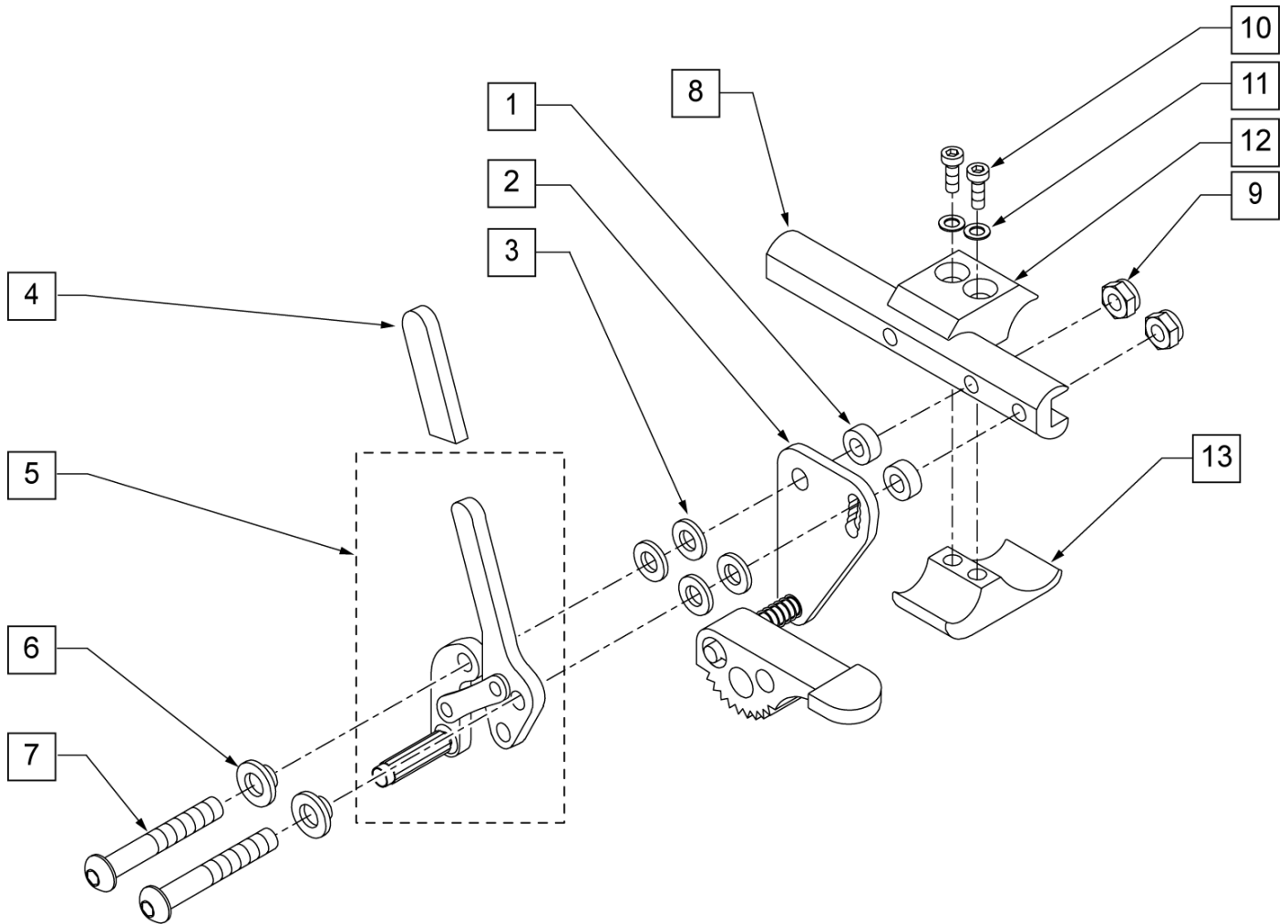


Pos.	Item Number	Description	Remarks
1	560500-QU	HB PLASTIC COVER	
3	560126	.250 ID .312 OD BUSHING PLASTIC	
4	226125	1/4-28 X 1 1/8 BH C/S	
5	561028	1/4? NYLON WASHER	
6	550374	"WHEEL LOCK SLIDE BLOCK 3 1/2" BLK"	
7	201120	1/4-28 AUTOMATION NUT	
8	550659	CLAMP 1 1/4? RECESS HALF BLK	
9	550658	CLAMP 1 1/4? THREADED BLK	
10	262114	1/4 WASHER HI COLLAR LOCK ZN	
11	226112	1/4-28 x 1 SOC C/S BLK	
12A	880916	GRADE AID PLATE W/WHL & HDWR R	
12A	880917	GRADE AID PLATE W/WHL & HDWR L	
12B	880912	GRADE AID ASSM BLK R N/CLAMP	
12B	880913	GRADE AID ASSM BLK L N/CLAMP	
13	483027	1/4 x 1/4 ALUMINUM SPACER BLK	
14	226130	1/4-28 x 1 1/2 BH C/S	
1,2	881798	WHEEL LOCK ASSM R PULL	
1,2	881799	WHEEL LOCK ASSM L PULL	
1-7	881752	WHL LOCK R PULL N/CLAMP	
1-7	881753	WHL LOCK L PULL N/CLAMP	
1-7	883012	WHL LCK PULL R W/O CLMP BLK	
1-7	883013	WHL LCK PULL L W/O CLMP BLK	
1-7	881764	WHL LOCK R PULL REV N/CLMP BLK	
1-7	881765	WHL LOCK L PULL REV N/CLMP BLK	
1-7,12A	881756	WHLLCK R PLL W/G.A. N/CLMP BLK	
1-7,12A	881757	WHLLCK L PLL W/G.A. N/CLMP BLK	

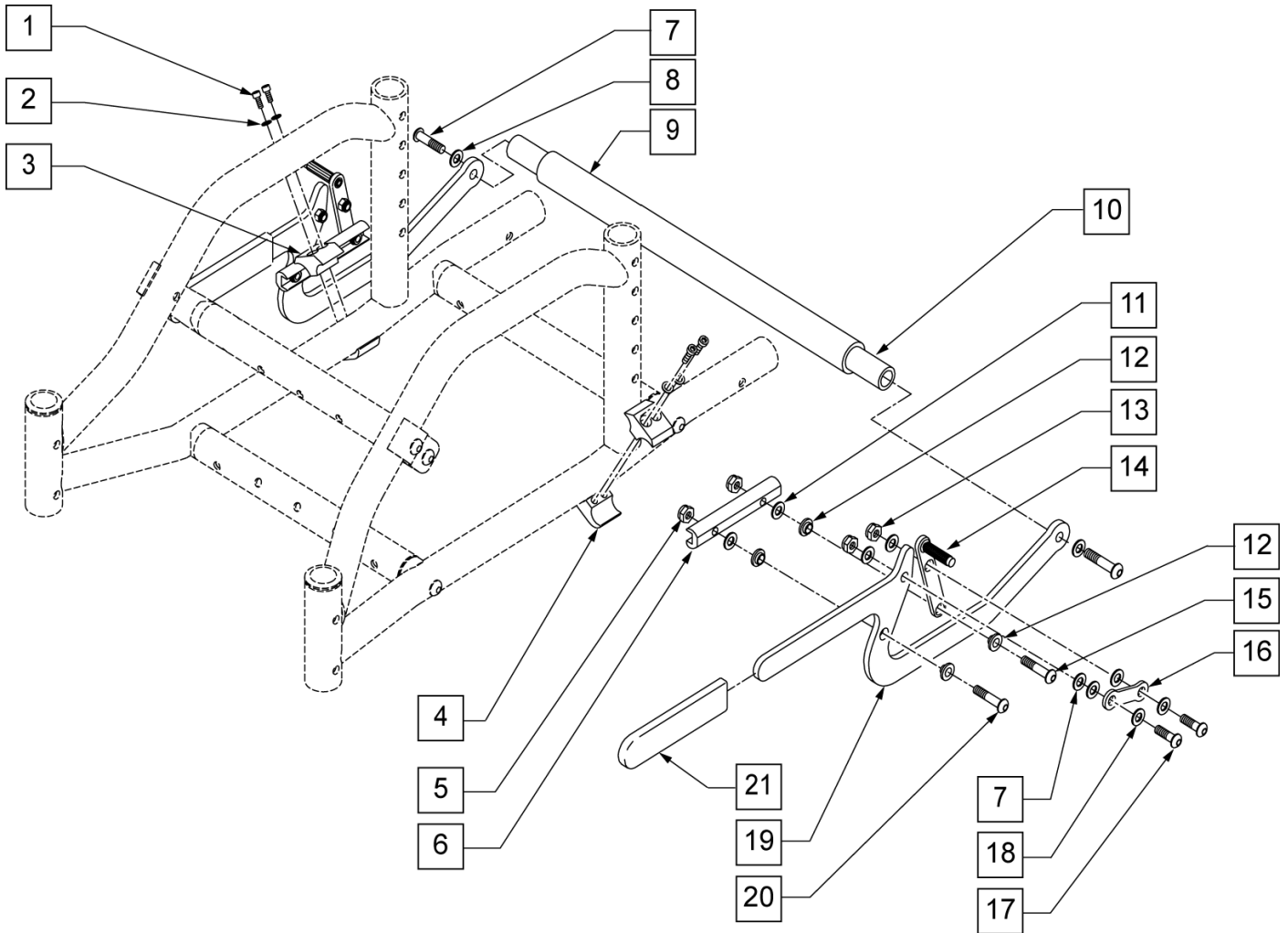
Pos.	Item Number	Description	Remarks
8-11	880594	WHEEL LOCK 1 AD CLAMP ASSM BLK	
1-11	881967	WHL LCK PULL R W/CLMP BLK	
1-11	881968	WHL LCK PULL L W/CLMP BLK	
1-11	881975	WHL LCK PULL R REV W/CLMP BLK	
1-11	881976	WHL LCK PULL L REV W/CLMP BLK	PAIR
1-11	901555	WHEEL LOCK PULL W/CLAMP BLK	PAIR
1-11	901543	WHEEL LOCK PULL REV W/CLAMP BLK	PAIR
1-11,12A	901558	WHEEL LOCK PULL W/GRADE AID W/CLAMP BLK	
1-11,12A	881971	WHLLCK R PLL W/G.A. W/CLMP BLK	
1-11,12A	881972	WHLLCK L PLL W/G.A. W/CLMP BLK	



Pos.	Item Number	Description	Remarks
1	483027	1/4 x 1/4 ALUM SPACER BLK	
2	880904	GRADE AID PLATE W/WHEEL BLK	RIGHT
2	880905	GRADE AID PLATE W/WHEEL BLK	LEFT
3	561028	1/4" NYLON WASHER	
4	560500-QU	HB PLASTIC COVER	
4,5	881748	WHEEL LOCK ASSM PUSH	RIGHT
4,5	881749	WHEEL LOCK ASSM PUSH	LEFT
6	560126	.250 ID .312 OD BUSHING PLST	
7	226125	1/4-28 X 1 1/8 BH C/S	
7	226130	1/4-28 x 1 1/2 BH C/S (W/GRADE AID)	
8	550447	WHL LOCK SLIDE BLOCK LONG	
9	201120	1/4-28 AUTOMATION NUT	
10	226112	1/4-28 x 1 SOC C/S BLK	
11	262114	1/4 WASHER HI COLLAR LOCK ZN	
12	550659	CLAMP 1 1/4" RECESS HALF BLK	
13	550658	CLAMP 1 1/4" THREADED BLK	
10-13	880594	WHL LOCK 1AD CLAMP ASSM BLK	
3-9	881946	WHEEL LOCK PUSH LARGE W/O CLAMP	RIGHT
3-9	881947	WHEEL LOCK PUSH LARGE W/O CLAMP	LEFT
1-9	882023	WHL LOCK PUSH LARGE W/GRADE AID	RIGHT
1-9	882024	WHL LOCK PUSH LARGE W/GRADE AID	LEFT

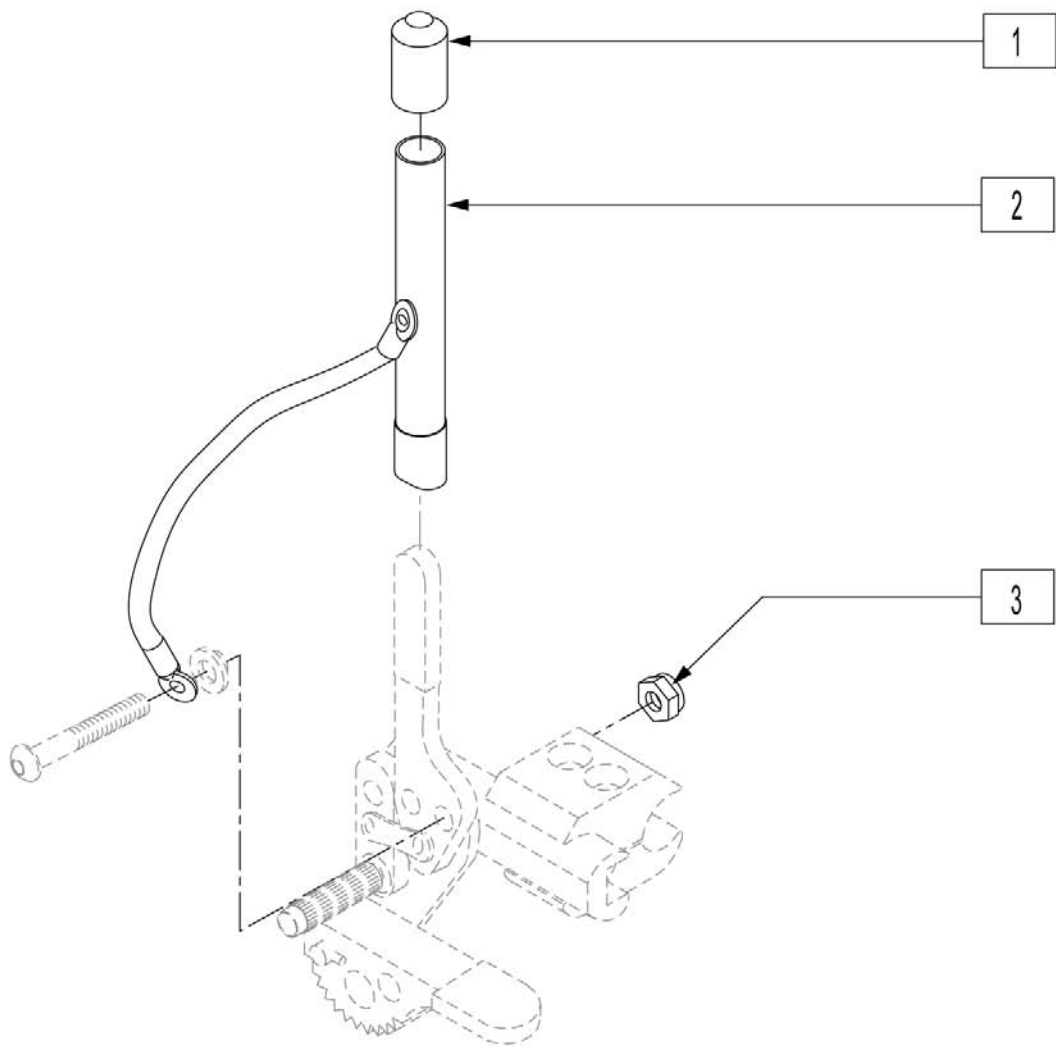


Pos.	Item Number	Description	Remarks
1	483027	1/4 x 1/4 ALUM SPACER BLK	
2	880904	GRADE AID PLATE W/ WHEEL BLK	RIGHT
2	880905	GRADE AID PLATE W/ WHEEL BLK	LEFT
3	561028	1/4" NYLON WASHER	
4	560500-QU	HB PLASTIC COVER	
4,5	881798	WHEEL LOCK ASSM PULL	RIGHT
4,5	881799	WHEEL LOCK ASSM PULL	LEFT
6	560126	.250 ID .312 OD BUSHING PLST	
7	226110	1/4-28 x 1 BH C/S	
7	226130	1/4-28 x 1 1/2 BH C/S (W/GRADE AID)	
8	550447	WHL LCK SLIDE BLOCK LNG	
9	201100-QU	1/4-28 NYLOCK NUT THIN	
10	226112	1/4-28 x 1 SOC C/S BLK	
11	262114	1/4 WASHER HI COLLAR LOCK ZN	
12	550659	CLAMP 1 1/4" RECESS HALF BLK	
13	550658	CCLAMP 1 1/4" THREADED BLK	
10-13	880594	WHL LCK/ 1AD CLMP ASSM BLK	
3-9	881948	WHL LOCK PULL LARGE W/O CLMP	RIGHT
3-9	881949	WHL LOCK PULL LARGE W/O CLMP	LEFT
1-9	882025	WHL LOCK PULL LARGE W/GRADE AID	RIGHT
1-9	882026	WHL LOCK PULL LARGE W/GRADE AID	LEFT

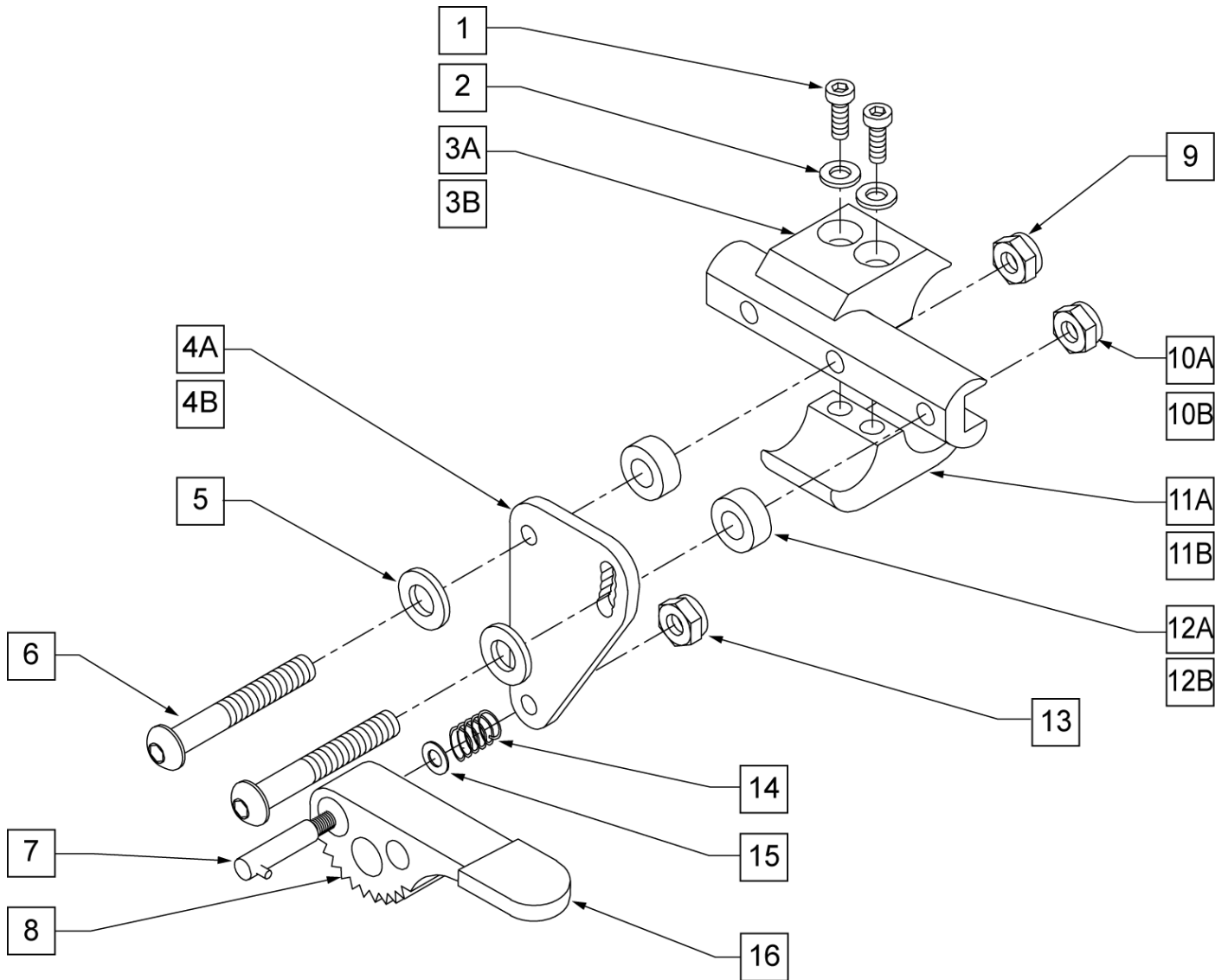


Pos.	Item Number	Description	Remarks	Pos.	Item Number	Description	Remarks
1	226112	1/4-28 x 1 SOC C/S BLK		11	561028	1/4" NYLON WASHER	
2	262114	1/4 WASHER HI COLLAR LOCK ZN		12	262115	1/4" NYLON FLANGE BUSHING	
3	550659	CLAMP 1 1/4" RECESS HALF BLK		13	201100-QU	1/4-28 NYLOCK NUT THIN	
4	550658	CLAMP 1 1/4" THREADED BLK		14	880531	LOCK TOGGLE AND GRIP	
5	201100-QU	1/4-28 NYLOCK NUT THIN		15	226122	1/4-28 x 1.10 BH C/S	
6	550268	WHEEL LOCK FOOT SLIDE BLOCK		16	504995	TOGGLE LINK 1.125	
7	226061	1/4-20 x 1 BH C/S W/PATCH		17	226100	1/4-28 x 3/4 BH C/S	
8	262110-QU	1/4 AN WASHER FLAT THIN		18	262130	6mm WASHER WAVE	
9	560612	8 x .705 x .188 FOAM TUBE		19	505153	FOOT WHEEL LOCK LEVER	
9,10	880710	FOOTLOCK TUBE W/FOAM 10"		20	226110	1/4-28 x 1 BH C/S	
9,10	880711	FOOTLOCK TUBE W/FOAM 11"		21	560305	4 x .375 ID x .125 FOAM GRIP	
9,10	880712	FOOTLOCK TUBE W/FOAM 12"		1-4	880594	WHL LCK/1AD CLMP ASSM BLK	
9,10	880713	FOOTLOCK TUBE W/FOAM 13"		1-21	900740	FOOT WHEEL LOCK ASSM 10"	
9,10	880714	FOOTLOCK TUBE W/FOAM 14"		1-21	900741	FOOT WHEEL LOCK ASSM 11"	
9,10	880715	FOOTLOCK TUBE W/FOAM 15"		1-21	900742	FOOT WHEEL LOCK ASSM 12"	
9,10	880716	FOOTLOCK TUBE W/FOAM 16"		1-21	900743	FOOT WHEEL LOCK ASSM 13"	
9,10	880717	FOOTLOCK TUBE W/FOAM 17"		1-21	900744	FOOT WHEEL LOCK ASSM 14"	
9,10	880718	FOOTLOCK TUBE W/FOAM 18"		1-21	900745	FOOT WHEEL LOCK ASSM 15"	
9,10	880719	FOOTLOCK TUBE W/FOAM 19"		1-21	900746	FOOT WHEEL LOCK ASSM 16"	
9,10	880725	FOOTLOCK TUBE W/FOAM 20"		1-21	900747	FOOT WHEEL LOCK ASSM 17"	

Pos.	Item Number	Description	Remarks	Pos.	Item Number	Description	Remarks
1-21	900748	FOOT WHEEL LOCK ASSM 18"		1-21	900750	FOOT WHEEL LOCK ASSM 20"	
1-21	900749	FOOT WHEEL LOCK ASSM 19"					

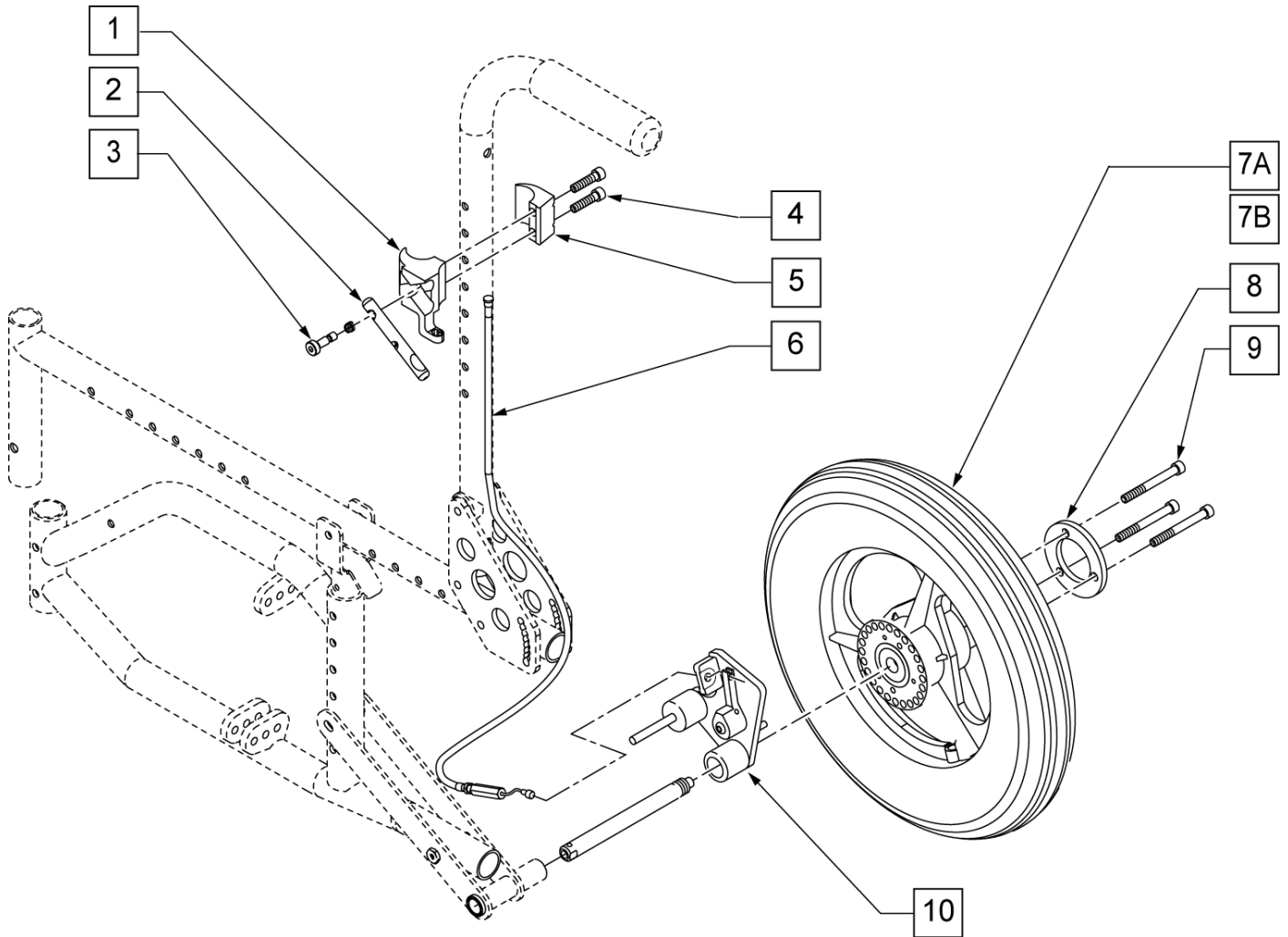


Pos.	Item Number	Description	Remarks
1	560600	1 1/2 x .705 x .187 FOAM GRIP	
3	201100-QU	1/4-28 NYLOCK NUT THIN	
1-3	880825	WHL LOCK 6" EXT TUBE ASSM(EA)	
1-3	920032	WHEEL LOCK 6" EXT TUBES (PR)	

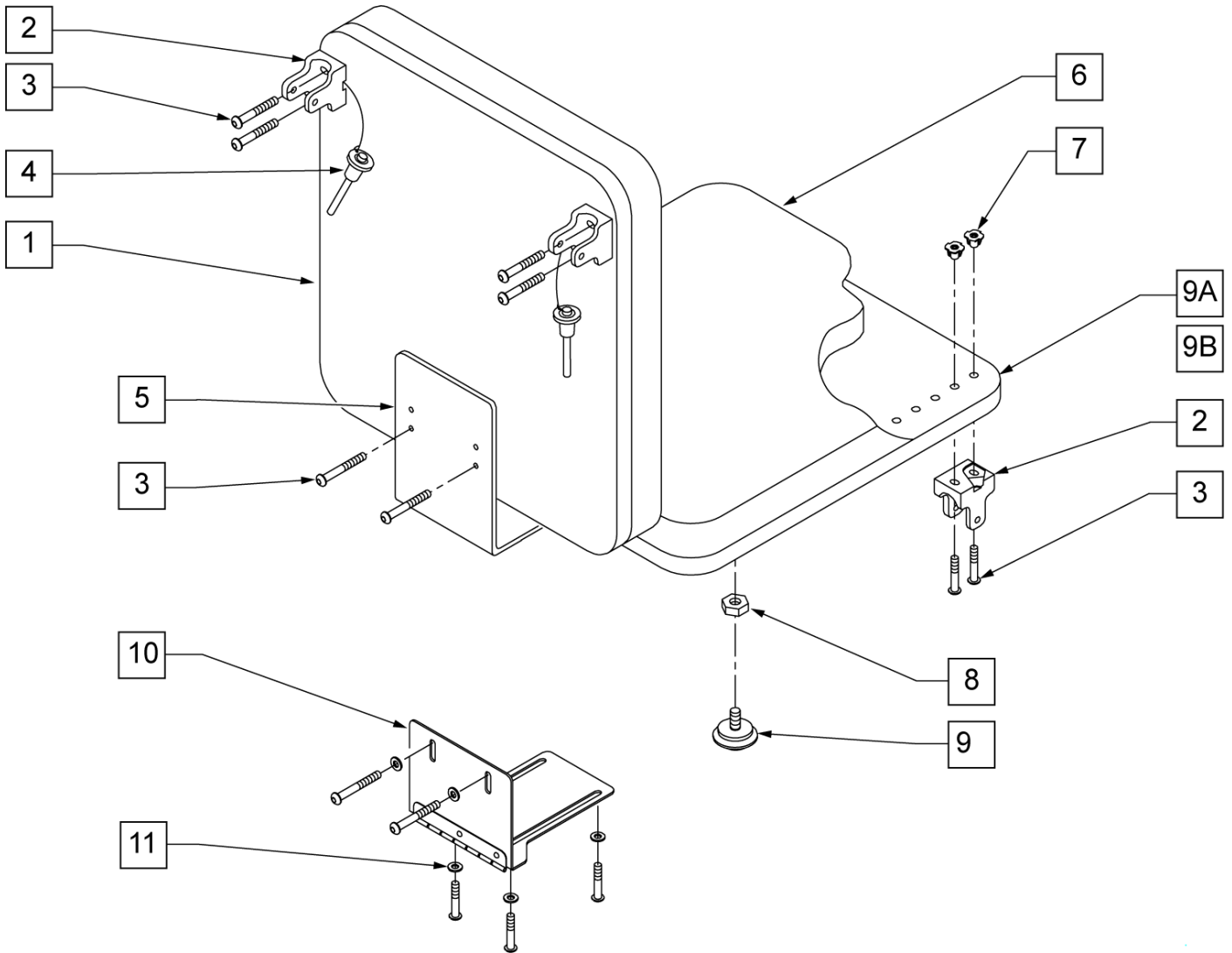


Pos.	Item Number	Description	Remarks
1	226112	1/4-28 x 1 SOC C/S BLK	
2	262114	1/4 WASHER HI COLLAR LOCK ZN	
3A	550259	CLAMP 1 1/4" RECESS HALF CLR	
3B	550659	CLAMP 1 1/4" RECESS HALF BLK	
4A	500174	GRADE AID PLATE	
4B	500274	GRADE AID PLATE BLK	
5	561028	1/4" NYLON WASHER	
6	226122	1/4-28 x 1.10 BH C/S	
7	481021	GRADE AID ROD W/PIN WHEEL LOCK	
8	561090	GRADE AID WHEEL NEW	RIGHT
8	561091	GRADE AID WHEEL NEW	LEFT
9	201100-QU	1/4-28 NYLOCK NUT THIN	
10	550265	WHEEL LOCK SLIDE BLOCK 3 1/2" CLEAR	
10A	550374	WHEEL LOCK SLIDE BLOCK 3 1/2" BLACK	
11	550258	CLAMP 1 1/4" THREADED CLEAR	
11A	550658	CLAMP 1 1/4" THREADED BLACK	
12	483101	1/4 x 1/4 ALUM SPACER CLEAR	

Pos.	Item Number	Description	Remarks
12A	483027	1/4 x 1/4 ALUM SPACER BLK	
13	201100-QU	1/4-28 NYLOCK NUT THIN	
14	321130	GRADE AID SPRING	
15	263110-QU	5/16 AN WASHER FLAT THIN	
16	560503	GRADE AID HANDLE COVER	
1-3,11	880539	WHEEL LOCK CLAMP ASSM CLEAR	
1,2,3A,11A	880594	WHEEL LOCK/1AD CLAMP ASSM BLACK	
4,7,8,13-16	880906	GRADE AID PLATE W /WHEEL CLEAR	RIGHT
4,7,8,13-16	880907	GRADE AID PLATE W /WHEEL CLEAR	LEFT
4A,7,8,13-16	880904	GRADE AID PLATE W/ WHEEL BLACK	RIGHT
4A,7,8,13-16	880905	GRADE AID PLATE W/ WHEEL BLACK	LEFT
4-10,12-16	883170	GRADE AID ASSM CLEAR NO CLAMP	RIGHT
4-10,12-16	883171	GRADE AID ASSM CLEAR NO CLAMP	LEFT
4A,5-9,10A,12A,13-16	880912	GRADE AID ASSM BLACK NO CLAMP	RIGHT
4A,5-9,10A,12A,13-16	880913	GRADE AID ASSM BLACK NO CLAMP	LEFT
1-16	883172	GRADE AID ASSM CLEAR W/ CLAMP	RIGHT
1-16	883173	GRADE AID ASSM CLEAR W/ CLAMP	LEFT
1,2,3A,4A,5-9,10A,11A,12A,13-16	880914	GRADE AID ASSM BLACK W/ CLAMP	RIGHT
1,2,3A,4A,5-9,10A,11A,12A,13-16	880915	GRADE AID ASSM BLACK W/ CLAMP	LEFT

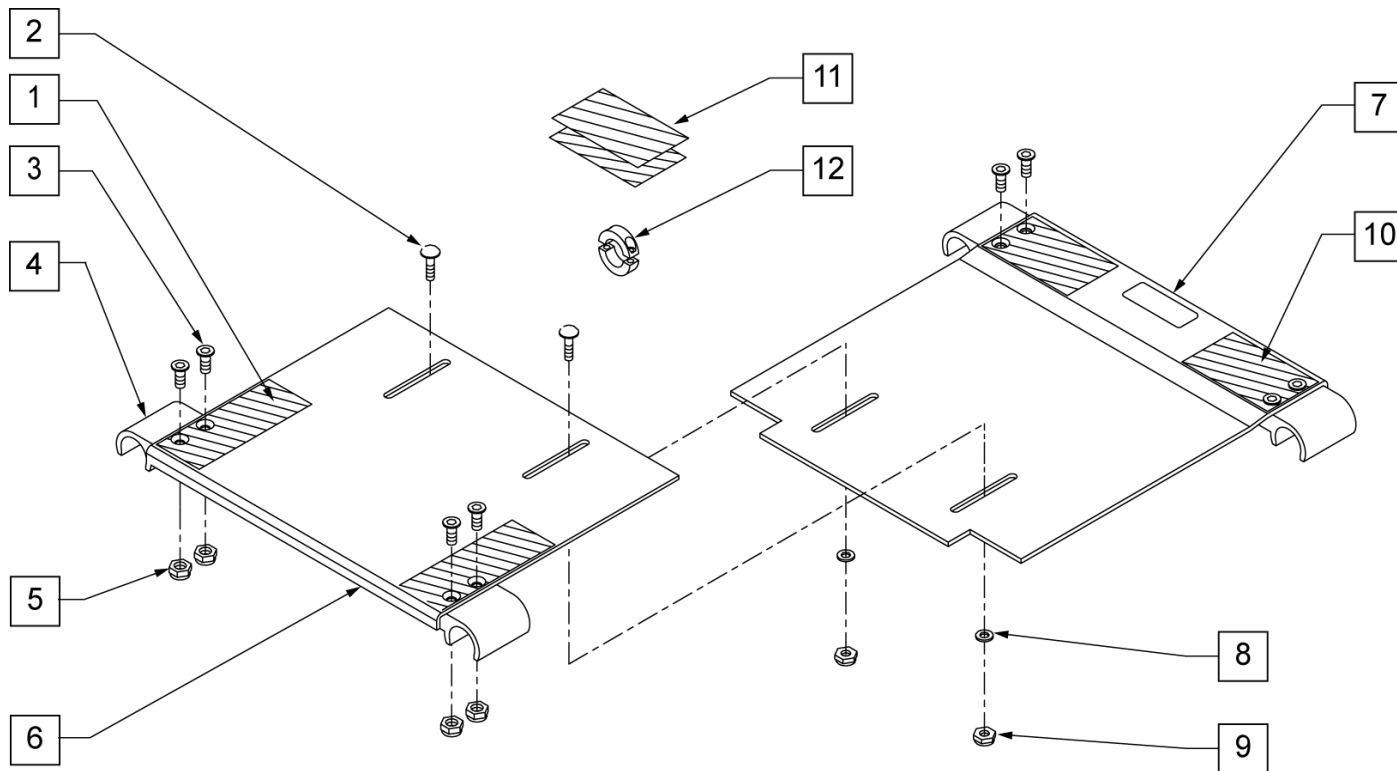


Pos.	Item Number	Description	Remarks
1-5	922331	HUB LOCK CLAMP ASSM	RIGHT
1-5	922332	HUB LOCK CLAMP ASSM	LEFT
2	506430	ALUMINUM Z-LOCK TRIGGER	
6	922333	HUB LOCK CABLE ASSM	
7A-9	922334	12" PNEU W/LOCKING HUB	
7B-9	922335	12" PNEU INSERT W/LOCKING HUB	
10	922329	LOWER HUB LOCK ASSM	RIGHT
10	922330	LOWER HUB LOCK ASSM	LEFT
1-7A,8-10	922350	LOCKING HUB ASSM 12" PNEU	INCLUDES RH & LH ASSMS.
1-7B,8-10*	922351	LOCKING HUB ASSM 12" PNEU INSRT	INCLUDES RH & LH ASSMS.



Pos.	Item Number	Description	Remarks
1,8	735050	PLY BACK 10" LOW ZP's	
1,8	735051	PLY BACK 10" MED ZP's	
1,8	735052	PLY BACK 10" TALL ZP's	
1,8	735053	PLY BACK 11" LOW ZP's	
1,8	735054	PLY BACK 11" MED ZP's	
1,8	735055	PLY BACK 11" TALL ZP's	
1,8	735056	PLY BACK 12" LOW LOW ZPS	
1,8	735057	PLY BACK 12" MED LOW ZPS	
1,8	735058	PLY BACK 12" TALL LOW ZPS	
1,8	735059	PLY BACK 13" LOW LOW ZPS	
1,8	735060	PLY BACK 13" MED LOW ZPS	
1,8	735061	PLY BACK 13" TALL LOW ZPS	
1,8	735062	PLY BACK 14" LOW LOW ZPS	
1,8	735063	PLY BACK 14" MED LOW ZPS	
1,8	735064	PLY BACK 14" TALL LOW ZPS	
1,8	735065	PLY BACK 15" LOW LOW ZPS	
1,8	735066	PLY BACK 15" MED LOW ZPS	
1,8	735067	PLY BACK 15" TALL LOW ZPS	

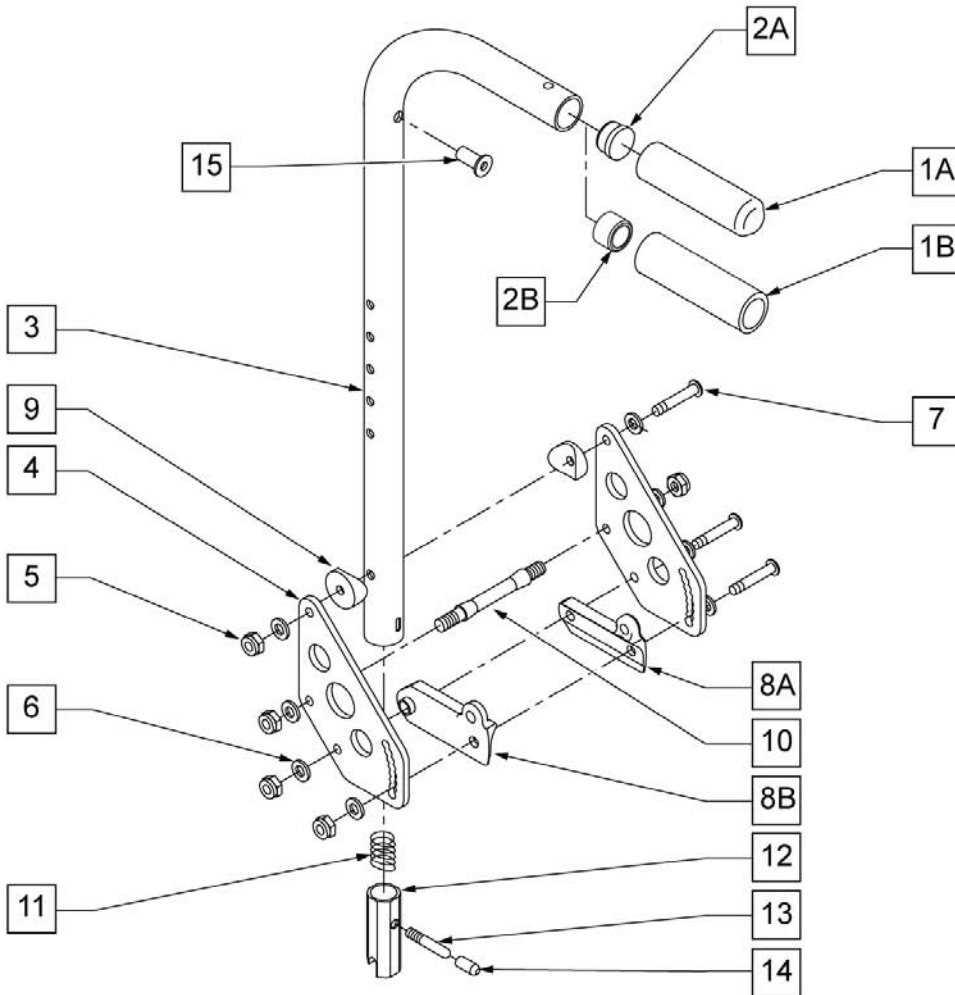
Pos.	Item Number	Description	Remarks
1,8	735068	PLY BACK 16" LOW LOW ZPS	
1,8	735069	PLY BACK 16" MED LOW ZPS	
1,8	735070	PLY BACK 16" TALL LOW ZPS	
2	562609	BRACKET SEAT QTS/BACK Z2	
3	226101	1/4-20 x 3/4 BH C/S	
4	349020	STROLLER HANDLE RELEASE PIN	
5	505253	QT SEAT/BACK BRACKET NEW	
7	2400	1/4-20 X 5/16" T-NUTS 3 PRONG	
6,7	735000	PLY SEAT 10 x 10/11 x 1/2 ZP	
6,7	735001	PLY SEAT 10 x 11/12 x 1/2 ZP	
6,7	735002	PLY SEAT 10 x 12/13 x 1/2 ZP	
6,7	735003	PLY SEAT 10 x 13/14 x 1/2 ZP	
6,7	735004	PLY SEAT 10 x 14/15 x 1/2 ZP	
6,7	735005	PLY SEAT 10 x 15/16 x 1/2 ZP	
6,7	735006	PLY SEAT 11 x 10/11 x 1/2 ZP	
6,7	735007	PLY SEAT 11 x 11/12 x 1/2 ZP	
6,7	735008	PLY SEAT 11 x 12/13 x 1/2 ZP	
6,7	735009	PLY SEAT 11 x 13/14 x 1/2 ZP	
6,7	735010	PLY SEAT 11 x 14/15 x 1/2 ZP	
6,7	735011	PLY SEAT 11 x 15/16 x 1/2 ZP	
6,7	735012	PLY SEAT 12 x 10/11 x 1/2 ZP	
6,7	735013	PLY SEAT 12 x 11/12 x 1/2 ZP	
6,7	735014	PLY SEAT 12 x 12/13 x 1/2 ZP	
6,7	735015	PLY SEAT 12 x 13/14 x 1/2 ZP	
6,7	735016	PLY SEAT 12 x 14/15 x 1/2 ZP	
6,7	735017	PLY SEAT 12 x 15/16 x 1/2 ZP	
6,7	735018	PLY SEAT 13 x 10/11 x 1/2 ZP	
6,7	735019	PLY SEAT 13 x 11/12 x 1/2 ZP	
6,7	735020	PLY SEAT 13 x 12/13 x 1/2 ZP	
6,7	735021	PLY SEAT 13 x 13/14 x 1/2 ZP	
6,7	735022	PLY SEAT 13 x 14/15 x 1/2 ZP	
6,7	735023	PLY SEAT 13 x 15/16 x 1/2 ZP	
6,7	735024	PLY SEAT 14 x 10/11 x 1/2 ZP	
6,7	735025	PLY SEAT 14 x 11/12 x 1/2 ZP	
6,7	735026	PLY SEAT 14 x 12/13 x 1/2 ZP	
6,7	735027	PLY SEAT 14 x 13/14 x 1/2 ZP	
6,7	735028	PLY SEAT 14 x 14/15 x 1/2 ZP	
6,7	735029	PLY SEAT 14 x 15/16 x 1/2 ZP	
6,7	735030	PLY SEAT 15 x 10/11 x 1/2 ZP	
6,7	735031	PLY SEAT 15 x 11/12 x 1/2 ZP	
6,7	735032	PLY SEAT 15 x 12/13 x 1/2 ZP	
6,7	735033	PLY SEAT 15 x 13/14 x 1/2 ZP	
6,7	735034	PLY SEAT 15 x 14/15 x 1/2 ZP	
6,7	735035	PLY SEAT 15 x 15/16 x 1/2 ZP	
6,7	735036	PLY SEAT 16 x 10/11 x 1/2 ZP	
6,7	735037	PLY SEAT 16 x 11/12 x 1/2 ZP	
6,7	735038	PLY SEAT 16 x 12/13 x 1/2 ZP	
6,7	735039	PLY SEAT 16 x 13/14 x 1/2 ZP	
6,7	735040	PLY SEAT 16 x 14/15 x 1/2 ZP	
6,7	735041	PLY SEAT 16 x 15/16 x 1/2 ZP	
8	201121	1/4-20 NUT THIN	
9	349560	ZP RUBBER STOP	
10	450990	SEAT TO BACK BRKT 90D CV	
11	262100-QU	1/4 AN WASHER FLAT	
2-4,8,9	920451	ST/BACK HDWR KT STD BRKT ZP	
2-4,8,9,11	920452	ST/BCK HDWR KIT HNG BRKT ZP	



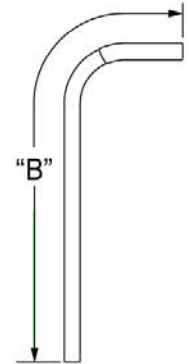
Pos.	Item Number	Description	Remarks
1	751047	HOOK FASTENER ZGS FRONT	
2	455036	1/4-28 x 9/16 SPEC ROUND HD	
3	226105	1/4-28 x 3/4 FH C/S BLK	
4	560112	SEAT SNAP ZGS	
5	201110	1/4-28 NYLOCK NUT	
6	124340	SEAT PAN SMALL 10" x 10" ZGS	
6	124341	SEAT PAN SMALL 10" x 12" ZGS	
6	124342	SEAT PAN SMALL 10" x 14" ZGS	
6	124359	SEAT PAN SMALL 10 x 16" ZGS	
6	124343	SEAT PAN MED 12" x 10" ZGS	
6	124344	SEAT PAN MED 12" x 12" ZGS	
6	124345	SEAT PAN MED 12" x 14" ZGS	
6	124360	SEAT PAN MED 12 x 16" ZGS	
6	124346	SEAT PAN LARGE 14" x 10" ZGS	
6	124347	SEAT PAN LARGE 14" x 12" ZGS	
6	124348	SEAT PAN LARGE 14" x 14" ZGS	
6	124361	SEAT PAN LARGE 14 X 16" ZGS	
6	124362	SEAT PAN X-LARGE 16 x 10" ZGS	
6	124363	SEAT PAN X-LARGE 16 x 12" ZGS	
6	124364	SEAT PAN X-LARGE 16 x 14" ZGS	
6	124365	SEAT PAN X-LARGE 16 x 16" ZGS	
7	124350	SEAT PAN SMALL OFFSET 10" x 10" ZGS	
7	124351	SEAT PAN SMALL OFFSET 10" x 12" ZGS	
7	124352	SEAT PAN SMALL OFFSET 10" x 14" ZGS	
8	124370	SEAT PAN OFFSET SMALL 10 x 16" ZGS	
7	124353	SEAT PAN MED OFFSET 12" x 10" ZGS	
7	124354	SEAT PAN MED OFFSET 12" x 12" ZGS	
7	124355	SEAT PAN MED OFFSET 12" x 14" ZGS	

Pos.	Item Number	Description	Remarks
8	124371	SEAT PAN OFFSET MED 12 x 16" ZGS	
7	124356	SEAT PAN LARGE OFFSET 14" x 10" ZGS	
7	124357	SEAT PAN LARGE OFFSET 14" x 12" ZGS	
7	124358	SEAT PAN LARGE OFFSET 14" x 14" ZGS	
8	124372	SEAT PAN OFFSET LARGE 14 X 16" ZGS	
8	124373	SEAT PAN OFFSET X-LARGE 16 x 10" ZGS	
8	124374	SEAT PAN OFFSET X-LARGE 16 x 12" ZGS	
8	124375	SEAT PAN OFFSET X-LARGE 16 x 14" ZGS	
8	124376	SEAT PAN OFFSET X-LARGE 16 x 16" ZGS	
8	262100-QU	1/4 AN WASHER FLAT	
9	201100-QU	1/4-28 NYLOCK NUT THIN	
10	751048	HOOK FASTENER ZGS REAR	
11	751049	HOOK FASTENER ZGS FLOATING	
12	342048	ADJ SEAT STOP 1"	
1-12	703200	SEAT PAN ASSM SHORT 10-12"W ZGS	
1-12	703200	SEAT PAN ASSM SHORT 12-14"W ZGS	
1-12	703200	SEAT PAN ASSM SHORT 14-16"W ZGS	
1-12	703203	SEAT PAN ASSM SHORT 16-18"W ZGS	
1-12	703210	SEAT PAN ASSM REG 10-12"W ZGS	
1-12	703211	SEAT PAN ASSM REG 12-14"W ZGS	
1-12	703212	SEAT PAN ASSM REG 14-16"W ZGS	
1-12	703213	SEAT PAN ASSM REG 16-18"W ZGS	
1-12	703220	SEAT PAN ASSM LONG 10-12"W ZGS	
1-12	703221	SEAT PAN ASSM LONG 12-14"W ZGS	
1-12	703222	SEAT PAN ASSM LONG 14-16"W ZGS	
1-12	703223	SEAT PAN ASSM LONG 16-18"W ZGS	
1-12	703230	SEAT PAN ASSM X-LONG 10-12"W ZGS	
1-12	703231	SEAT PAN ASSM X-LONG 12-14"W ZGS	
1-12	703232	SEAT PAN ASSM X-LONG 14-16"W ZGS	
1-12	703233	SEAT PAN ASSM X-LONG 16-18"W ZGS	

NOTE: HOLE ON TOP OF STROLLER HANDLE (FOR STROLLER HANDLE EXTENSION) EFFECTIVE 12/21/93. BEGINNING SERIAL NUMBER ZP-32105.



MEASURING GUIDE

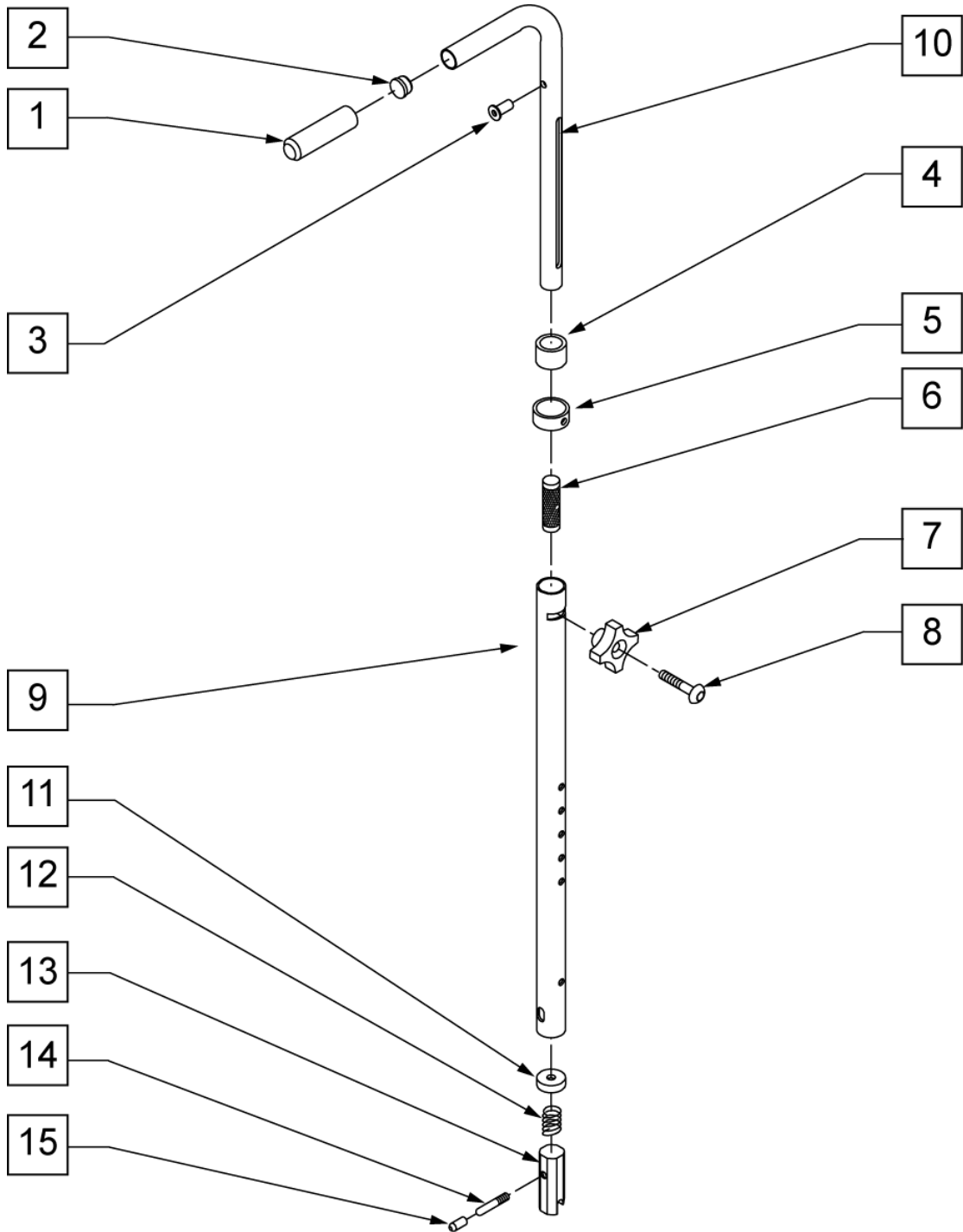


BACK TUBE	"A"
STD	25 3/4"
MED	28 3/4"
TALL	31 3/4"

NOTE: ABOVE DIMENSIONS ARE FOR BACK TUBE ONLY AND DO NOT INCLUDE FOAM GRIP.

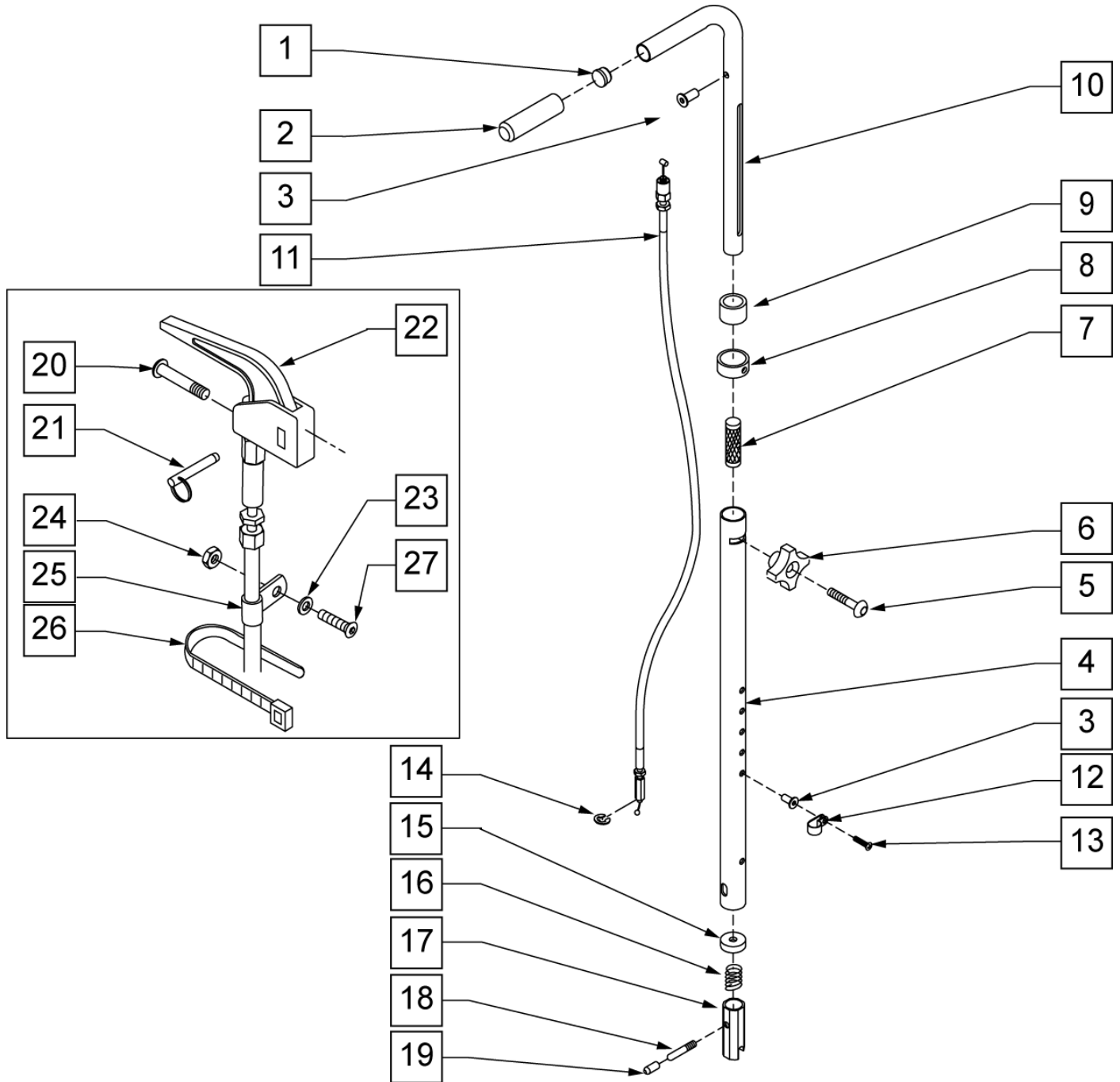
Pos.	Item Number	Description	Remarks
1A	560663	QUICKIE GRIP 1"	
1B	560660	QUICKIE GRIP 1" W/HOLE	
2A	561002	1" INSERT PLUG .083	
2B	561082	1" TUBE END BUSHING THIN	
4	506136	BACKPLATE DAB	
5	201100-QU	1/4-28 NYLOCK NUT THIN	
6	262100-QU	1/4 AN WASHER FLAT	
7	226150	1/4-28 x 2 BH C/S	
8	560518	SADDLE BACKREST Q2 DAB	RIGHT
8	560519	SADDLE BACKREST Q2 DAB	LEFT
9	561004	1" SADDLE 1/4" HOLE	
10	481042	BACK RELEASE STOP PIN QTS	
11	321110	S/A LATCH SPRING	
12	483019	BACK RELEASE LATCH	
13	481084	BACK RELEASE PIN Z2/QT/EX	

Pos.	Item Number	Description	Remarks
14	560502	ANTI-TIP LEVER COVER	
15	341497	10-32 x .020-.130 RIVNUT GOLD	
5-8,10	920539	BACKPLATE DAB HDWR KIT	
5-9	920921	BACK PLATE HARDWARE KIT ZTS	
5-8,10-14	920328	BACKREST LATCH KIT	
5-8,10-14	842079	STRL HANDLE W/FOAM MED ZPS/QT	
1A-3,15	842080	STRL HNDL W/FOAM STD ZPS/P5/QT	
1A-3,15	842081	STRL HANDLE W/FOAM TALL ZPS/QT	
1A-3,15	920389	STRL HNDL W/LTCH MED ZPS/P5/QTS	
1A-3,11-15	920390	STRL HANDLE W/LATCH ZPS/P5/QT	
1A-3,11-15	920391	STRL HNDL W/LATCH TALL ZPS/P5/QT	
1A-3,11-15	881845	STRL HNDL MED&PLT ASSM DAB	
1A-3,11-15	881846	STRL HNDL STD&PLT ASSM DAB	
1A-15	881847	STRL HNDL TLL&PLT ASSM DAB	
1A-15	920999	STRL HNDLE M AND PLTE ASSM ZTS	
1A-15	920945	STRL HNDL STD AND PLT ASSM ZTS	
1A-15	920947	STRL HNDL T AND PLT ASSM ZTS	
1B,2A,3,15	842066	EXT STROLLER HANDLE MED	
1B,2A,3,15	842067	EXT STROLLER HANDLE STD	
1B,2A,3,15	842068	EXT STROLLER HANDLE TALL	
1B,2A,3,11-15	920423	EXT STROLLER HNDL MED W/LATCH	
1B,2A,3,11-15	920421	EXT STROLLER HNDL STD W/LATCH	
1B,2A,3,11-15	920424	EXT STROLLER HNDL TALL W/LATCH	
1B,2A,3,11-15	920761	EXT STRL HNDL MED&PLT ASSM DAB	
1B,2A,3,11-15	920762	EXT STRL HNDL STD&PLT ASSM DAB	
1B,2A,3-15	920763	EXT STRL HNDL TLL&PLT ASSM DAB	
1B,2A,3-15	920981	EXT STRLR HNDL M PLST ASSM ZTS	
1B,2A,3-15	920948	EXT STRLR HNDL STD PLT ASM ZTS	
1B,2A,3-15	920949	EXT STRLR HNDL T PLT ASSM ZTS	



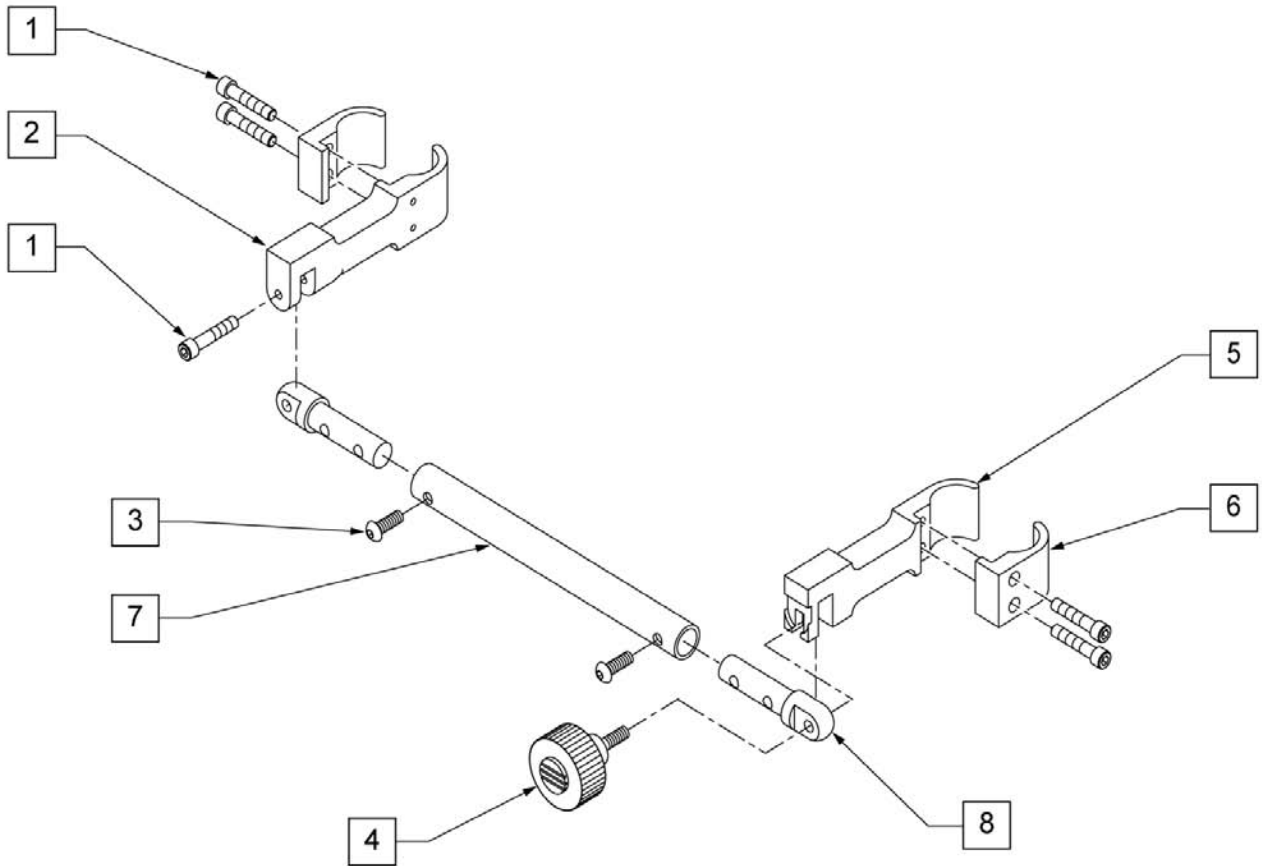
Pos.	Item Number	Description	Remarks
1	560662	QUICKIE GRIP 3/4"	
2	561000-QU	3/4" INSERT PLUG .083	
3	341500	10-32 x .010-.080 RIVNUT	
4	561082	1" TUBE END BUSHING THIN	
5	483096	S/A ADJ STROLLER RING ZP/QT	
6	483095	S/A ADJ STROLLER INSERT ZP/QT	

Pos.	Item Number	Description	Remarks
7	349018	KNOB S/A ADJ STROLLER ZP	
8	226136	1/4-20 x 1 1/2 BH C/S BLK	
9	521791	S/A ADJ BACK TUBE ONLY ZP/QT	RIGHT
9	521792	S/A ADJ BACK TUBE ONLY ZP/QT	LEFT
10	521793	S/A ADJ STROLLER TUBE PUSH	
10	521794	HANDLE ZP/QT	
11	483020	S/A SPRING RETAINER	
12	321110	S/A LATCH SPRING	
13	483019	BACK RELEASE LATCH	
14	481084	BACK RELEASE PIN Z2/QT/EX	
15	560502	ANTI-TIP LEVER COVER	
1-10	842082	S/A ADJ STROLLER HANDLES W/ FOAM	RIGHT
1-10	842083	S/A ADJ STROLLER HANDLES W/ FOAM	LEFT
1-10	920306	S/A ADJ STROLLER HANDLES (PR)	PAIR
11-15	920291	BACKREST SLIDER LATCH KIT	



Pos.	Item Number	Description	Remarks
1	561000-QU	3/4" INSERT PLUG .083	
2	560662	QUICKIE GRIP 3/4"	
3	341497	10-32 x .020-.130 RIVNUT GOLD	
4	521791	S/A ADJ BACK TUBE ONLY ZP/QT	RIGHT
4	521792	S/A ADJ BACK TUBE ONLY ZP/QT	LEFT
5	226136	1/4-20 x 1 1/2 BH C/S BLK	
6	349018	KNOB S/A ADJ STROLLER ZP	
7	483095	S/A ADJ STROLLER INSERT ZP/QT	
8	483096	S/A ADJ STROLLER RING ZP/QT	
9	561082	1" TUBE END BUSHING THIN	

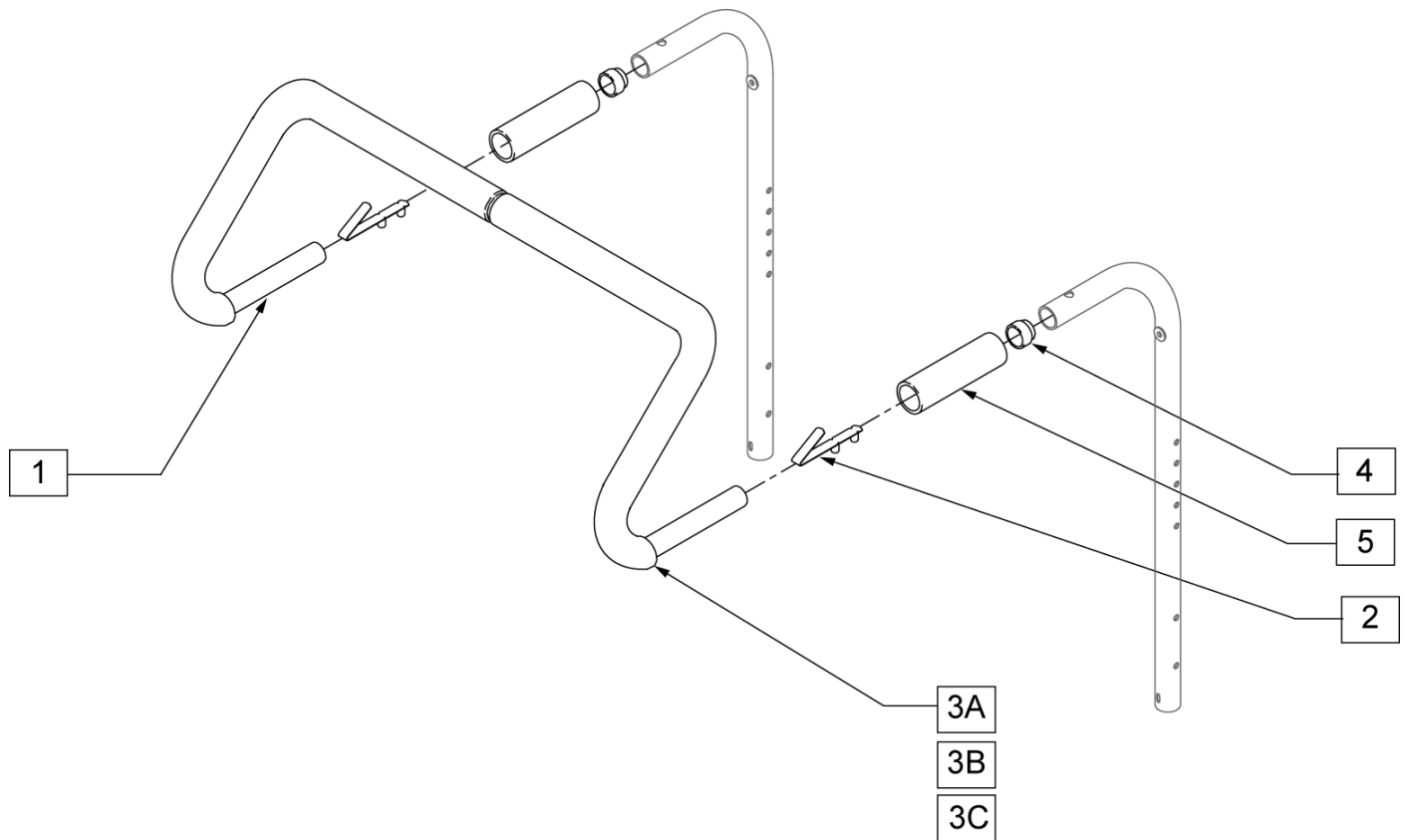
Pos.	Item Number	Description	Remarks
11	342057	CYL LOCK CABLE ASSEMBLY (ZP/TS)	
11	342056	CYL LOCK CABLE ASSEMBLY T45 (QTS)	
12	349511	1/2" ID PLASTIC CLAMP BLK	
13	281120	10-32 x 5/8 PAN HD PHIL	
14	342000	1/4" E-CLIP	
15	483020	S/A SPRING RETAINER	
16	321110	S/A LATCH SPRING	
17	483019	BACK RELEASE LATCH	
18	481084	BACK RELEASE PIN Z2/QT/EX	
19	560502	ANTI-TIP LEVER COVER	
20	281120	10-32 x 5/8 PAN HD PHIL	
21	349021	TRIGGER RELEASE PIN TS/QT/P5	
22	580110	CYL LOCK LEVER ASSEMBLY QT/QR/P5	
23	261204	#10 AN WASHER .063	
24	200100	10-32 NYLOCK NUT	
25	349511	1/2" ID PLASTIC CLAMP BLK	
26	560410	ZIP TIE BLACK	
27	226032	10-32 x 1 1/2 BH C/S BLK	
1-10	842082	S/A ADJ STROLLER HANDLE W/ FOAM	RIGHT
1-10	842083	S/A ADJ STROLLER HANDLE W/ FOAM	LEFT
1-10	920306	S/A ADJ STROLLER HANDLES ZP/Z2 (PR)	PAIR
1-19	920304	S/A ADJ STROLLER RETRO KIT QTS (PR)	PAIR
1-14,20-27	842084	TS ADJ PUSH HANDLE TUBE W/ TRIGGER	RIGHT
1-14,20-27	842085	TS ADJ PUSH HANDLE TUBE W/ TRIGGER	LEFT
1-14,20-27	842073	QTS ADJ PUSH HANDLE TUBE W/ TRIGGER	RIGHT
1-14,20-27	842074	QTS ADJ PUSH HANDLE TUBE W/ TRIGGER	LEFT
1-14,20-27	920297	S/A ADJ STROLLER 15"-20" QTS (PR)	PAIR
1-14,20-27	920307	S/A ADJ STROLLER 10"-14" TS W/ TRIGGER ON R	PAIR
1-14,20-27	920308	S/A ADJ STROLLER 15"-20" TS W/ TRIGGER	PAIR
15-19	920291	BACKREST SLIDER LATCH KIT	



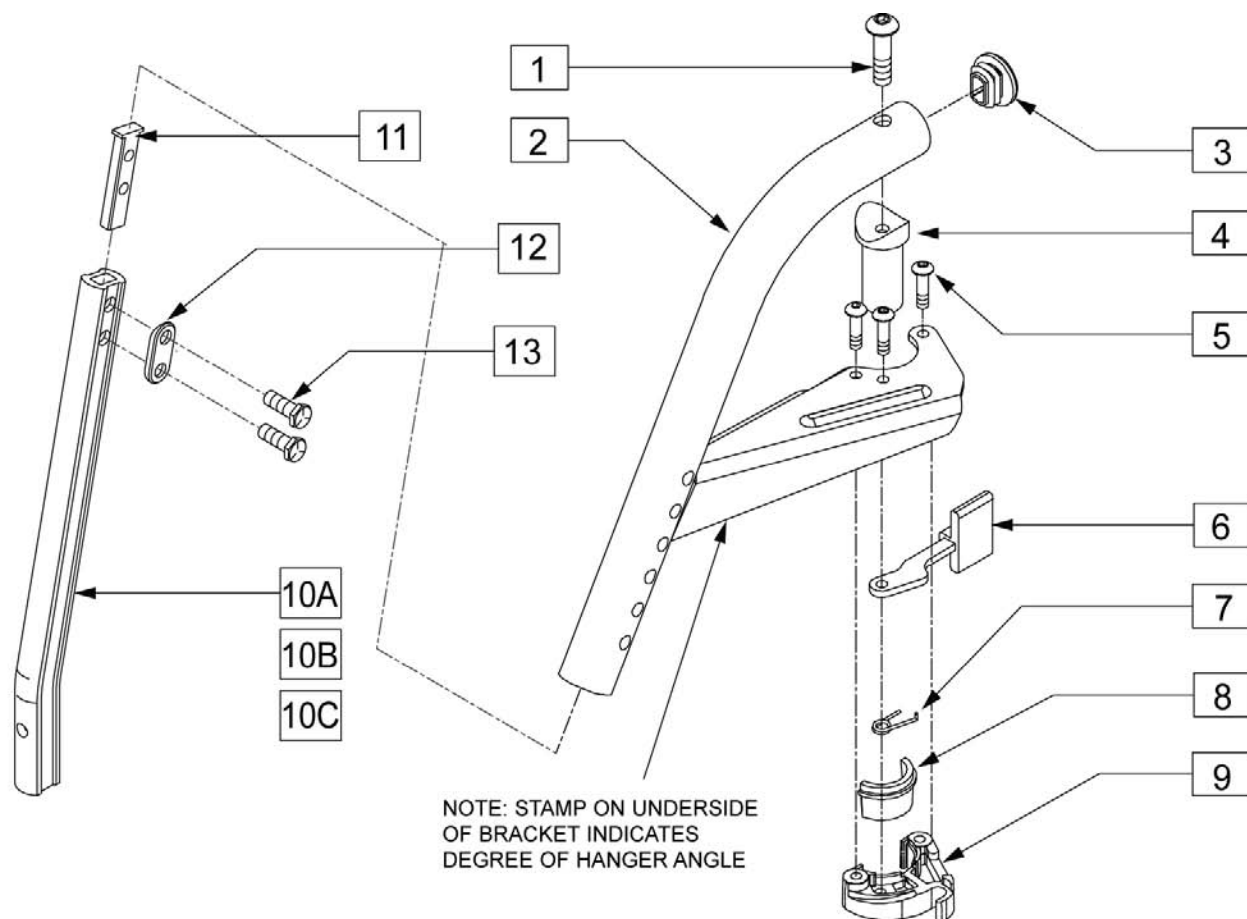
Pos.	Item Number	Description	Remarks
1-8	882056	RIGIDIZER ZTS 10 -12"	
1-8	882056	RIGIDIZER ZTS 12 -14"	
1-8	882056	RIGIDIZER ZTS 14 -16"	
1-8	882059	RIGIDIZER ZTS 16 -18"	

NOTE: NOT AVAILABLE WITH SWING-AWAY ADJUSTABLE STROLLER HANDLES.

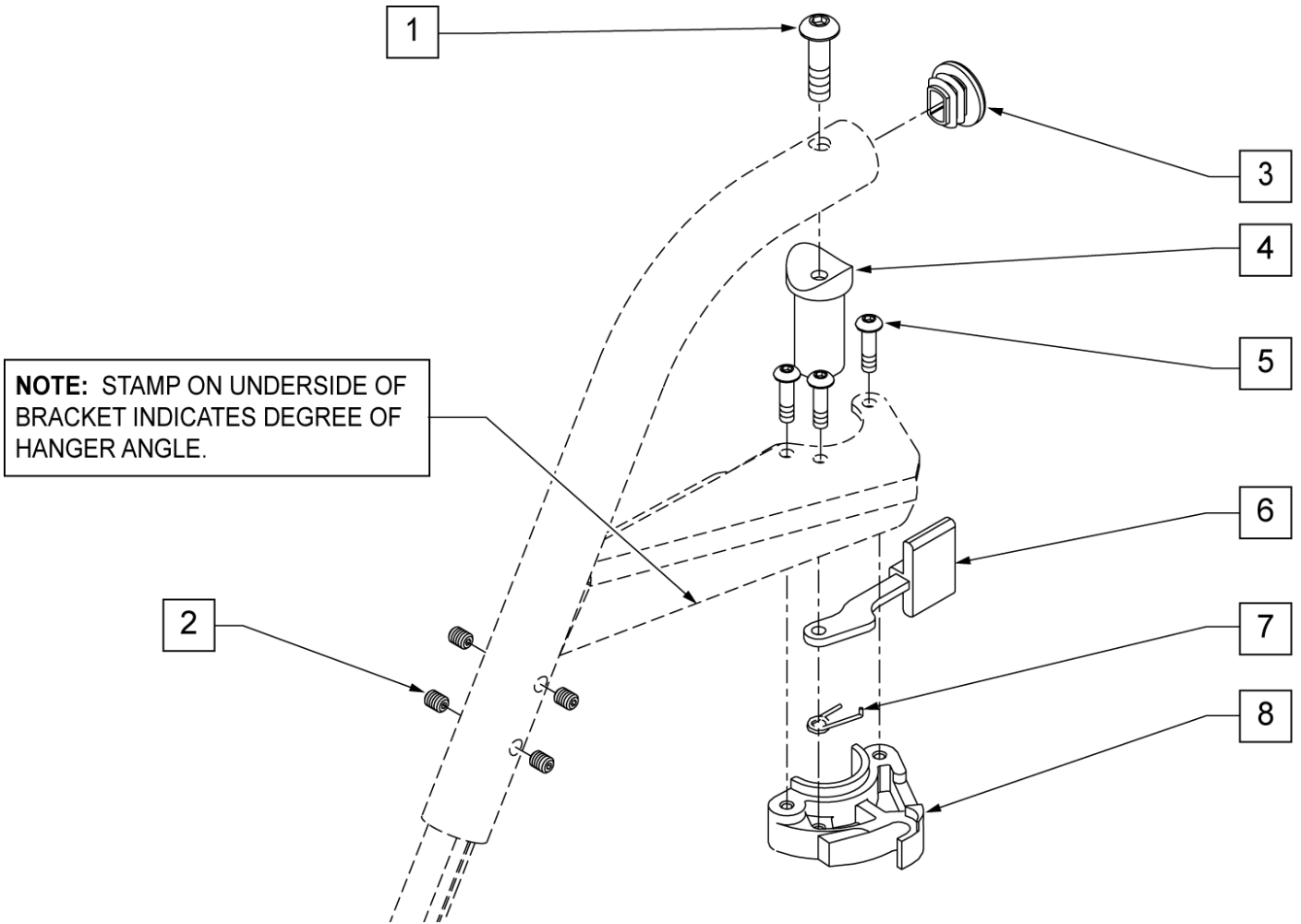
NOTE: EXTENSION FITS ON BOTH STROLLER HANDLE BACKPOSTS AND REMOVABLE STROLLER HANDLES.



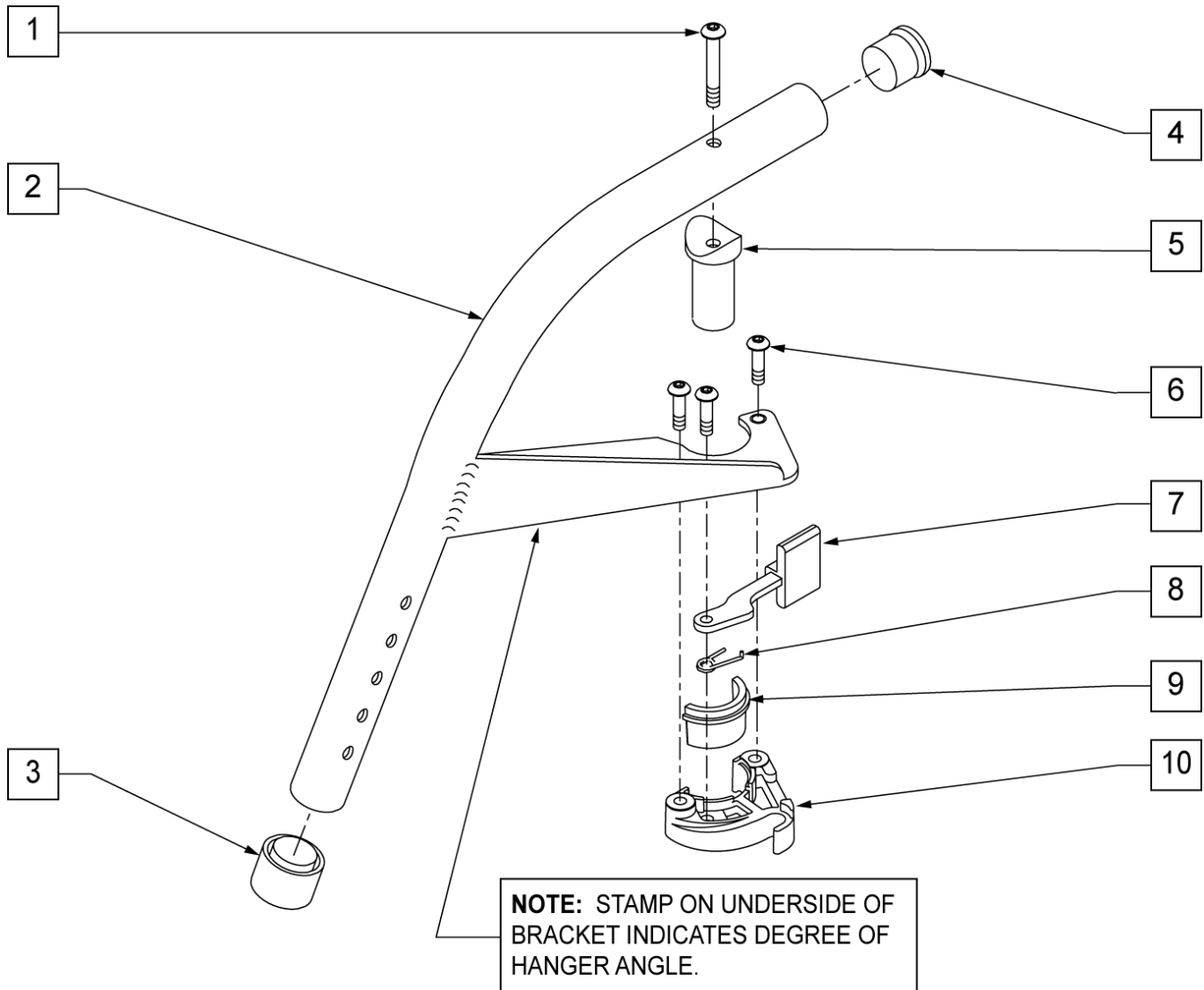
Pos.	Item Number	Description	Remarks
2	301108	5/16 SNAP BUTTON DUAL ONE SIDE	
3A	560615	STROLLER EXTENSION GRIP 10 -13"	10 -13" WIDE
3B	560616	STROLLER EXTENSION GRIP 14 -17"	14 -17" WIDE
3C	560617	STROLLER EXTENSION GRIP 18 -20"	18 -20" WIDE
4	561082	1" TUBE END BUSHING THIN	
5	920023	QUICKIE GRIP 1 W/ HOLE	
1, 2, 3A	842050	STROLLER EXTENSION ASSM 10"	
1, 2, 3A	842051	STROLLER EXTENSION ASSM 11"	
1, 2, 3A	842052	STROLLER EXTENSION ASSM 12"	
1, 2, 3A	842053	STROLLER EXTENSION ASSM 13"	
1, 2, 3B	842054	STROLLER EXTENSION ASSM 14"	
1, 2, 3B	842055	STROLLER EXTENSION ASSM 15"	
1, 2, 3B	842056	STROLLER EXTENSION ASSM 16"	
1, 2, 3B	842057	STROLLER EXTENSION ASSM 17"	
1, 2, 3C	842058	STROLLER EXTENSION ASSM 18"	



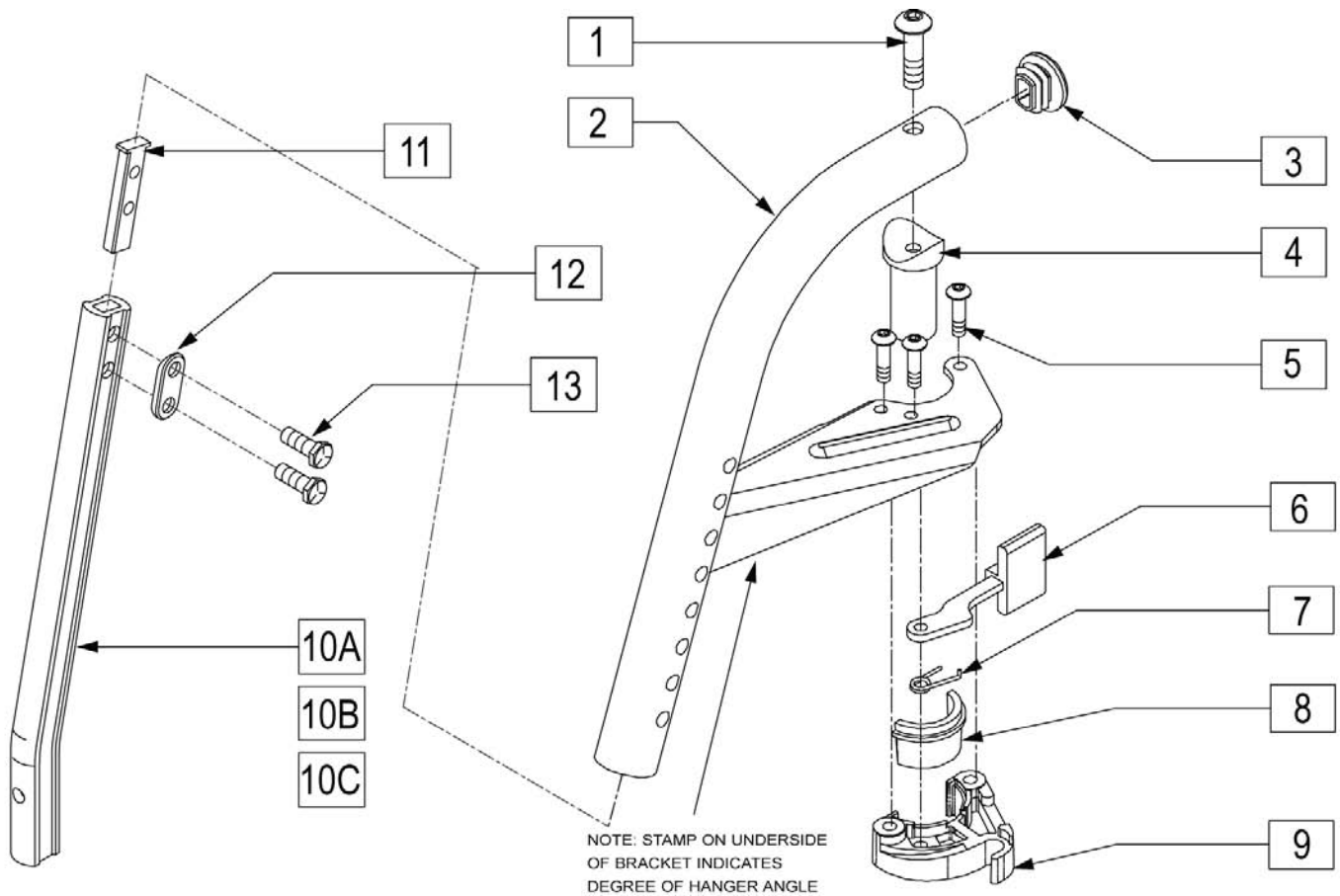
Pos.	Item Number	Description	Remarks
1	226217	5/16-18 x 2" BH C/S BLK	
2	504942	S/A HANGER ONLY R 60D D2	
2	504943	S/A HANGER ONLY L 60D D2	
3	561378	END PLUG DBL "D" S525	
4	561197	PLASTIC PIVOT SADDLE	
5	226057	10-24 x .725 BH SOC BZ	
6	561079	S/A LATCH LEVER	
7	321136	S/A SPRING L RED	LEFT
7	321137	S/A SPRING R CLEAR	RIGHT
8,9	881500	LATCH BLOCK ASSM R	RIGHT
8,9	881501	LATCH BLOCK ASSM L	LEFT
10A	550819	EXT TBE S/A ONLY SHT	SHORT
10B	550820	EXT TBE S/A ONLY MED	MEDIUM
10C	550821	EXT TBE S/A ONLY LONG	LONG
11	500078	INSERT D2 EXT TUBE	
12	483717	HANGER SADDLE	
13	221102	1/4-28 x 3/4 HEX HEAD C/S BLK W/PTCH	
1-9	641550	HANGER 60D R D2 PNT S/A BT	SPECIFY COLOR
1-9	641551	HANGER 60D L D2 PNT S/A BT	SPECIFY COLOR
5-9	881521	S/A LATCH KIT CASTING	RIGHT
5-9	881522	S/A LATCH KIT CASTING	LEFT



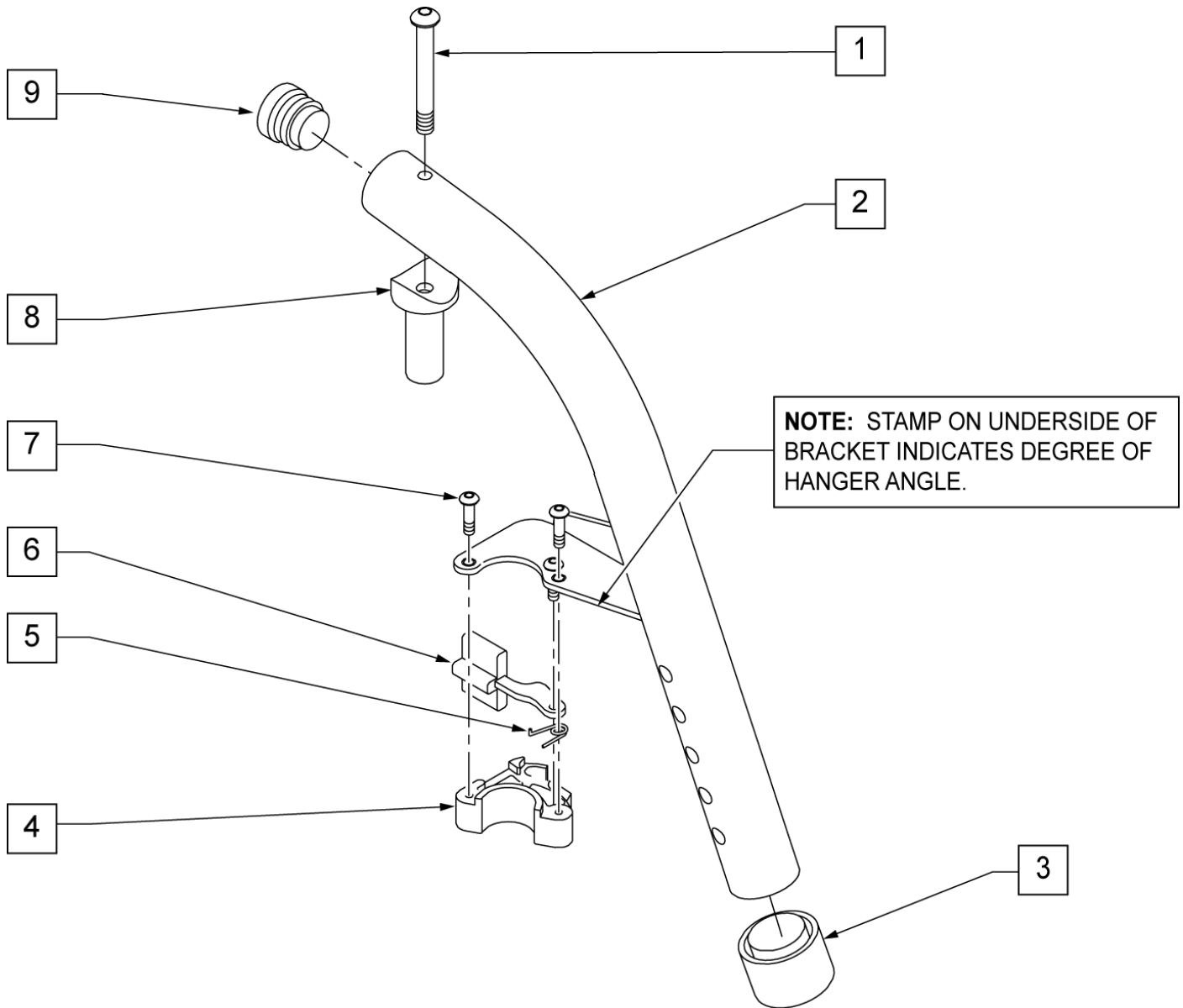
Pos.	Item Number	Description	Remarks
1	226198	5/16-18 x 2 BH C/S SHT THREAD	
2	225112	1/4-20 x 1/4 SS KNRLD CP W/PTCH	
3	561378	END PLUG DBL "D" S525	
4	561197	PLASTIC PIVOT SADDLE	
5	226057	10-24 x .725 BH SOC BZ	
6	561079	S/A LATCH LEVER	
7	321136	S/A SPRING L RED	LEFT
7	321137	S/A SPRING R CLEAR	RIGHT
8	881500	S/A LATCH BLOCK	RIGHT
8	881501	S/A LATCH BLOCK	LEFT
5-8	881521	S/A LATCH KIT	RIGHT
5-8	881522	S/A LATCH KIT	LEFT



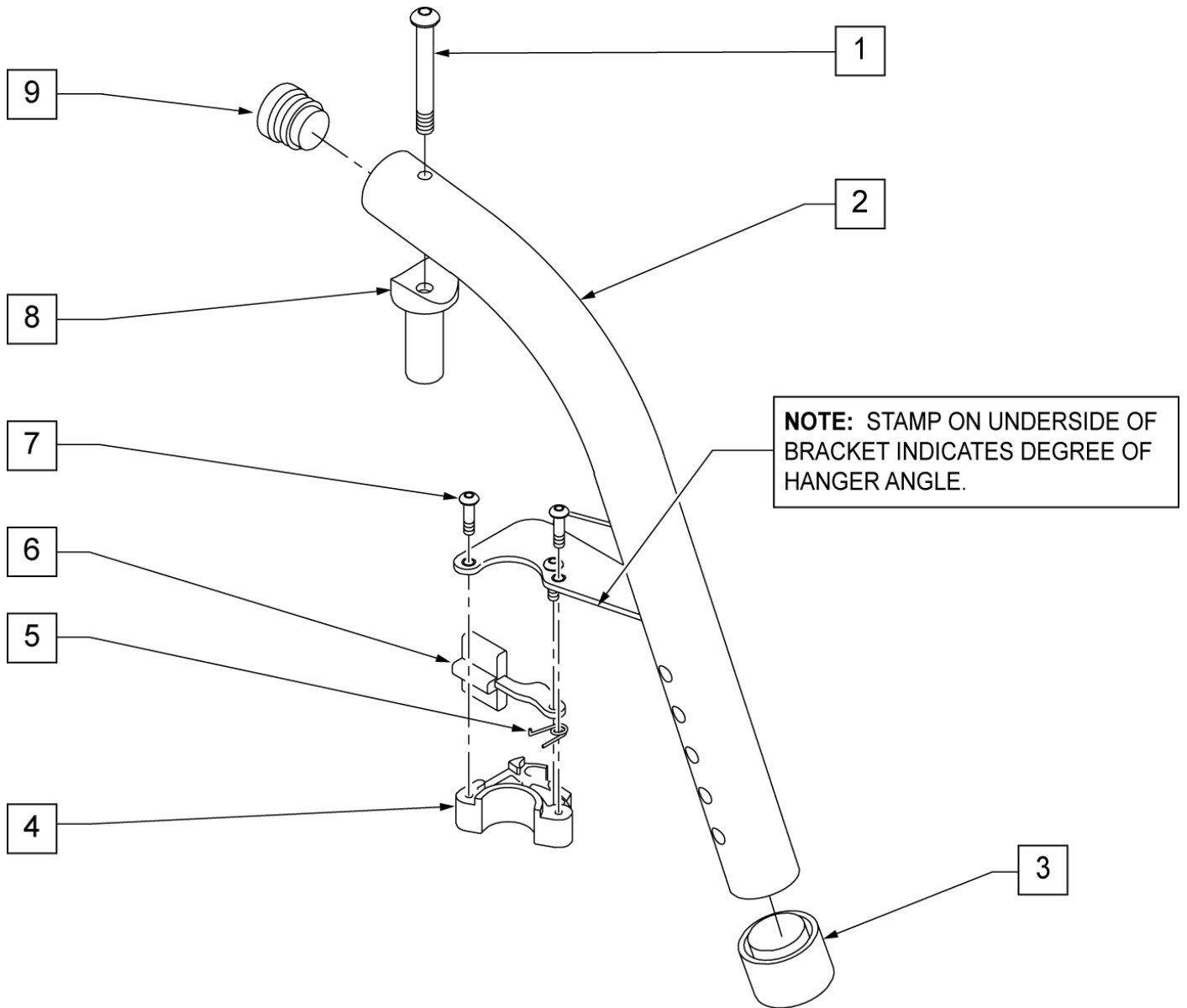
Pos.	Item Number	Description	Remarks
1	226198	5/16-18 x 2 BH C/S SHT THREAD	
2	505050	S/A HANGER ONLY 60° (SPECIFY COLOR)	RIGHT
2	505052	S/A HANGER ONLY 60° (SPECIFY COLOR)	LEFT
3	561082	1" TUBE END BUSHING THIN	
4	561002	1" INSERT PLUG .083	
5	561197	PLASTIC PIVOT SADDLE	
1,5	880545	PIVOT SADDLE .125 W/SCREW	
6	226010	10-24 x .725 BH C/S W/PATCH	
7	561079	S/A LATCH LEVER	
8	321136	S/A SPRING L RED	LEFT
8	321137	S/A SPRING R CLEAR	RIGHT
9,10	881500	HANGER 60° PAINTED S/A (SPECIFY COLOR)	RIGHT
9,10	881501	HANGER 60° PAINTED S/A (SPECIFY COLOR)	LEFT



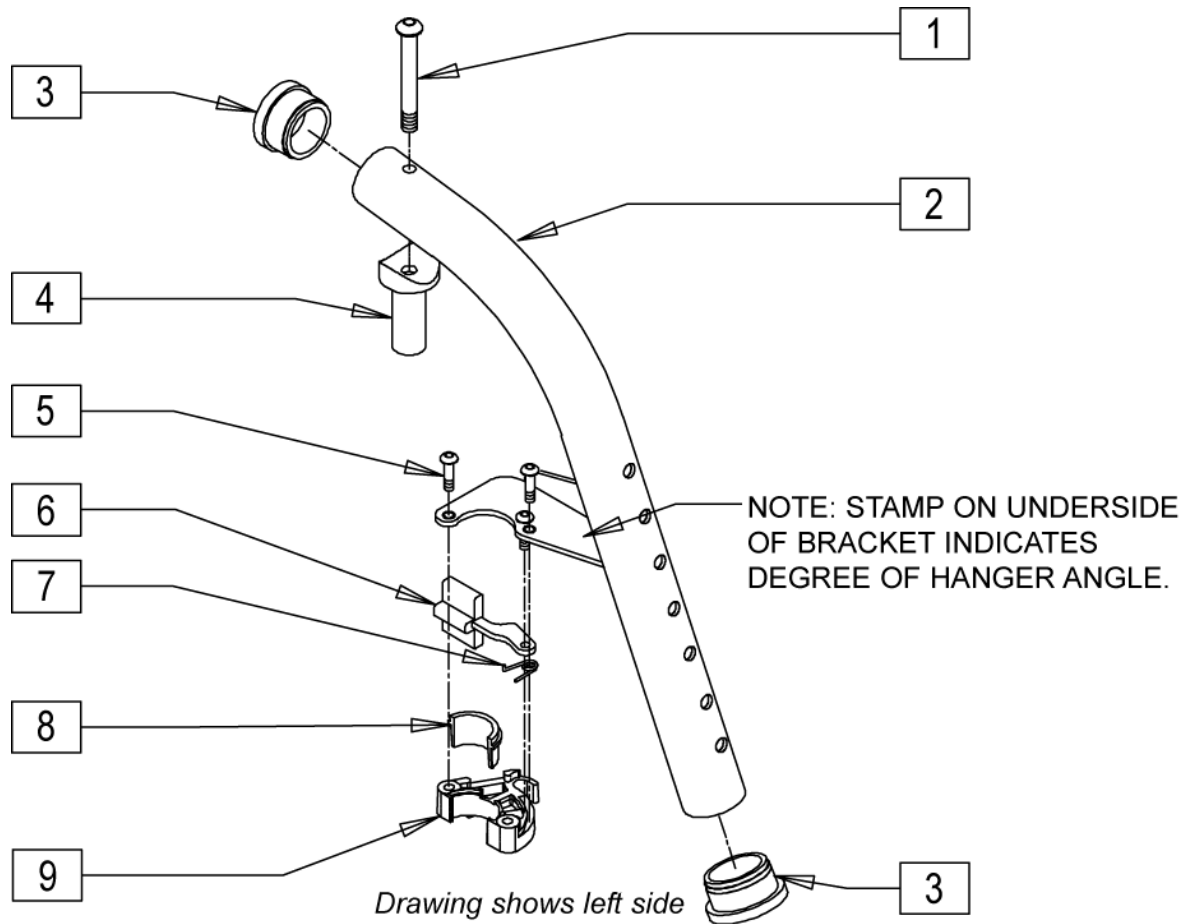
Pos.	Item Number	Description	Remarks
1	226217	5/16-18 x 2" BH C/S BLK	
2	504944	S/A HANGER ONLY R 70D D2	
2	504945	S/A HANGER ONLY L 70D D2	
3	561378	END PLUG DBL-D S525	
4	561197	PLASTIC PIVOT SADDLE	
5	226057	10-24 x .725 BH SOC BZ	
6	561079	S/A LATCH LEVER	
7	321136	S/A SPRING L RED	LEFT
7	321137	S/A SPRING R CLEAR	RIGHT
8,9	881500	LATCH BLOCK ASSM R	RIGHT
8,9	881501	LATCH BLOCK ASSM L	LEFT
10A	550819	EXT TBE S/A ONLY SHT	
10B	550820	EXT TBE S/A ONLY MED	
10C	550821	EXT TBE S/A ONLY LONG	
11	500078	INSERT D2 EXT TUBE	
12	483717	HANGER SADDLE	
13	221102	1/4-28 x 3/4 HEX HEAD C/S BLK W/PTCH	
1-9	641552	HANGER 70D R D2 PNT S/A BT	SPECIFY COLOR
1-9	641553	HANGER 70D L D2 PNT S/A BT	SPECIFY COLOR
5-9	881521	S/A LATCH KIT CASTING	RIGHT
5-9	881522	S/A LATCH KIT CASTING	LEFT



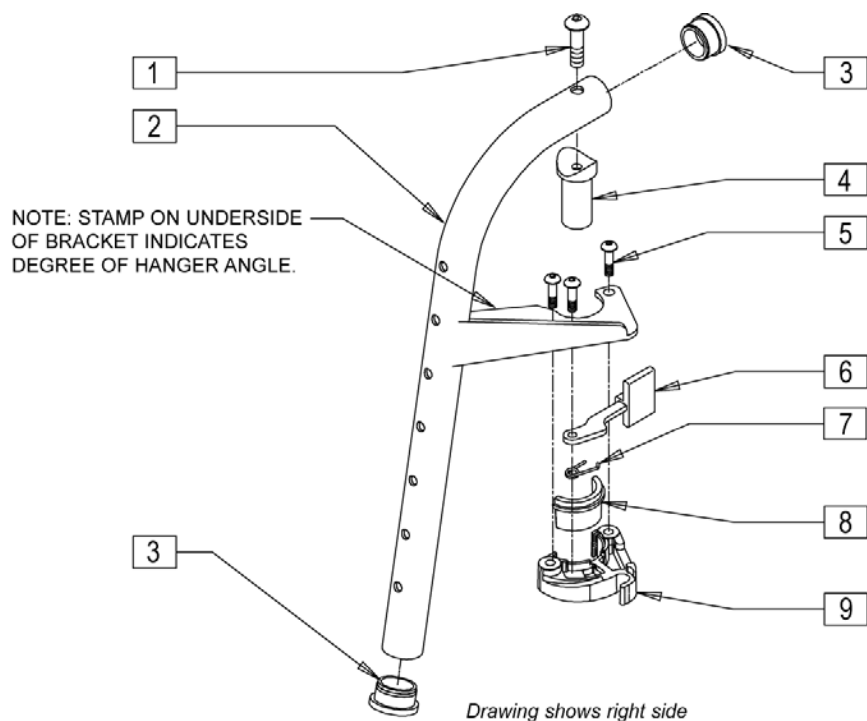
Pos.	Item Number	Description	Remarks
1	226198	5/16-18 x 2 BH C/S SHT THREAD	
3	225112	1/4-20 x 1/4 SS KNRLD CP W/PTCH	
4	561378	END PLUG DBL "D" S525	
5	561197	PLASTIC PIVOT SADDLE	
6	226057	10-24 x .725 BH SOC BZ	
7	561079	S/A LATCH LEVER	
8	321136	S/A SPRING L RED	LEFT
8	321137	S/A SPRING R CLEAR	RIGHT
9	561076	S/A LATCH BLOCK	RIGHT
9	561078	S/A LATCH BLOCK	LEFT
6-9	880730	S/A LATCH KIT	RIGHT
6-9	880731	S/A LATCH KIT	LEFT



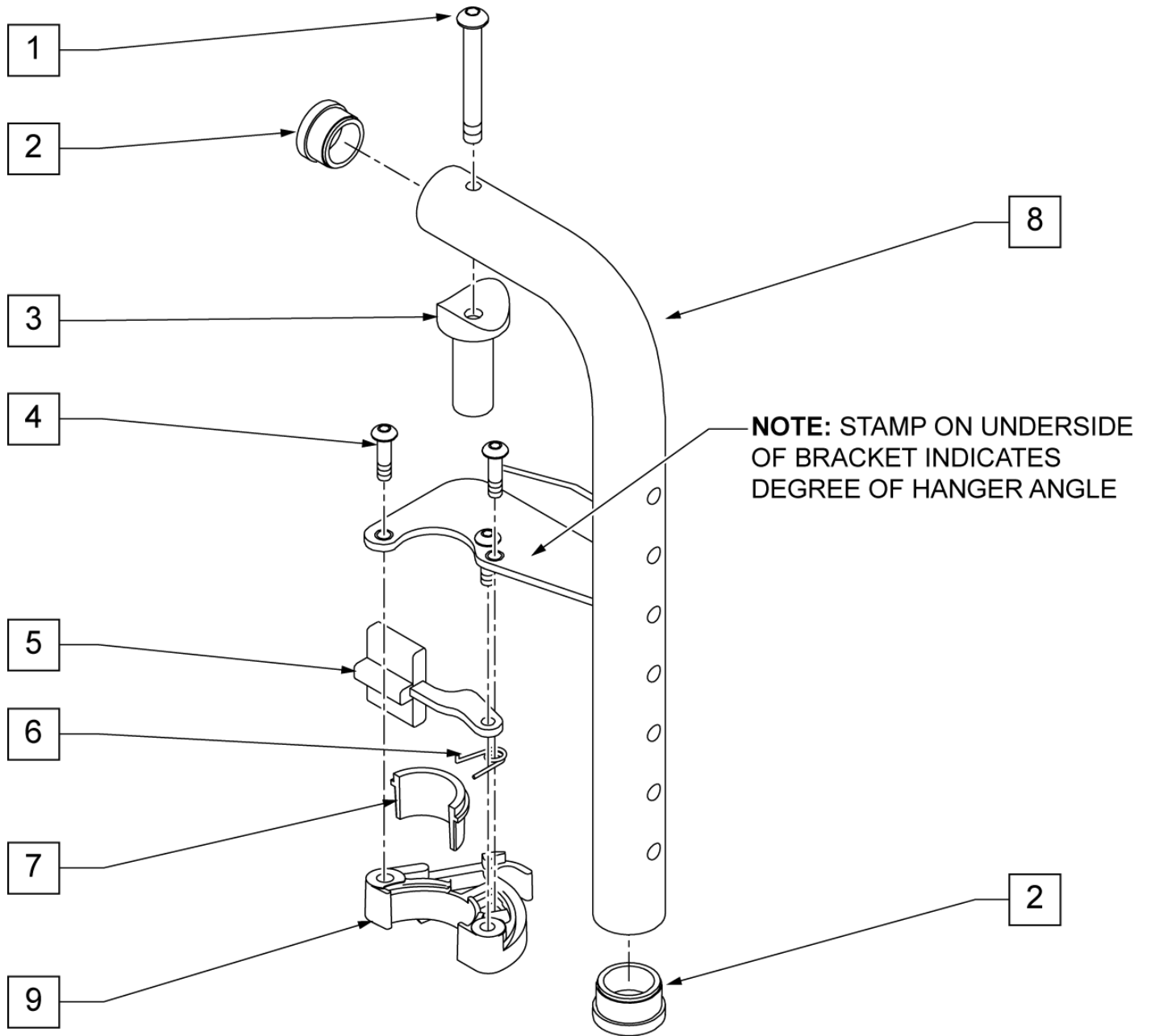
Pos.	Item Number	Description	Remarks
1	226198	5/16-18 x 2 BH C/S SHT THREAD	
2	505041	S/A HANGER ONLY 70° (SPECIFY COLOR)	RIGHT
2	505042	S/A HANGER ONLY 70° (SPECIFY COLOR)	LEFT
3	561082	1" TUBE END BUSHING THIN	
5	321136	S/A SPRING L RED	LEFT
5	321137	S/A SPRING R CLEAR	RIGHT
6	561079	S/A LATCH LEVER	
7	226057	10-24 x .725 BTTN HD SOC BZ	
8	561197	PLASTIC PIVOT SADDLE	
1,8	880545	PIVOT SADDLE .125 W/SCREW	
9	561002	1" INSERT PLUG .083	
4	881500	S/A LATCH BLOCK	RIGHT
4	881501	S/A LATCH BLOCK	LEFT
4-7	881521	S/A LATCH KIT	RIGHT
4-7	881522	S/A LATCH KIT	LEFT
1-9	641180	HANGER 70° PAINTED S/A (SPECIFY COLOR)	RIGHT
1-9	641182	HANGER 70° PAINTED S/A (SPECIFY COLOR)	LEFT



Pos.	Item Number	Description	Remarks
1	226217	5/16-18 x 2 BH C/S BLK	
2	505344	S/A HANGER ONLY R 70 DEG F/ MNT	RIGHT
2	505345	S/A HANGER ONLY L 70DEG F/ MNT	LEFT
3	561002	1" INSERT PLUG .083	
4	561197	PLASTIC PIVOT SADDLE	
5	226057	10/24 x .725 BTTN HD SOC BZ	
6	561079	S/A LATCH LEVER	
7	321136	S/A SPRING L RED	LEFT
7	321137	S/A SPRING R CLEAR	RIGHT
8,9	881500	LATCH BLOCK ASSM R	RIGHT
8,9	881501	LATCH BLOCK ASSM L	LEFT
1-9	641142	HANGER 70D R PNTD S/A F/MT	RIGHT
1-9	641143	HANGER 70D L PNTD S/A F/MT	LEFT
5-9	881521	S/A LATCH KIT CASTING	RIGHT
5-9	881522	S/A LATCH KIT CASTING	LEFT

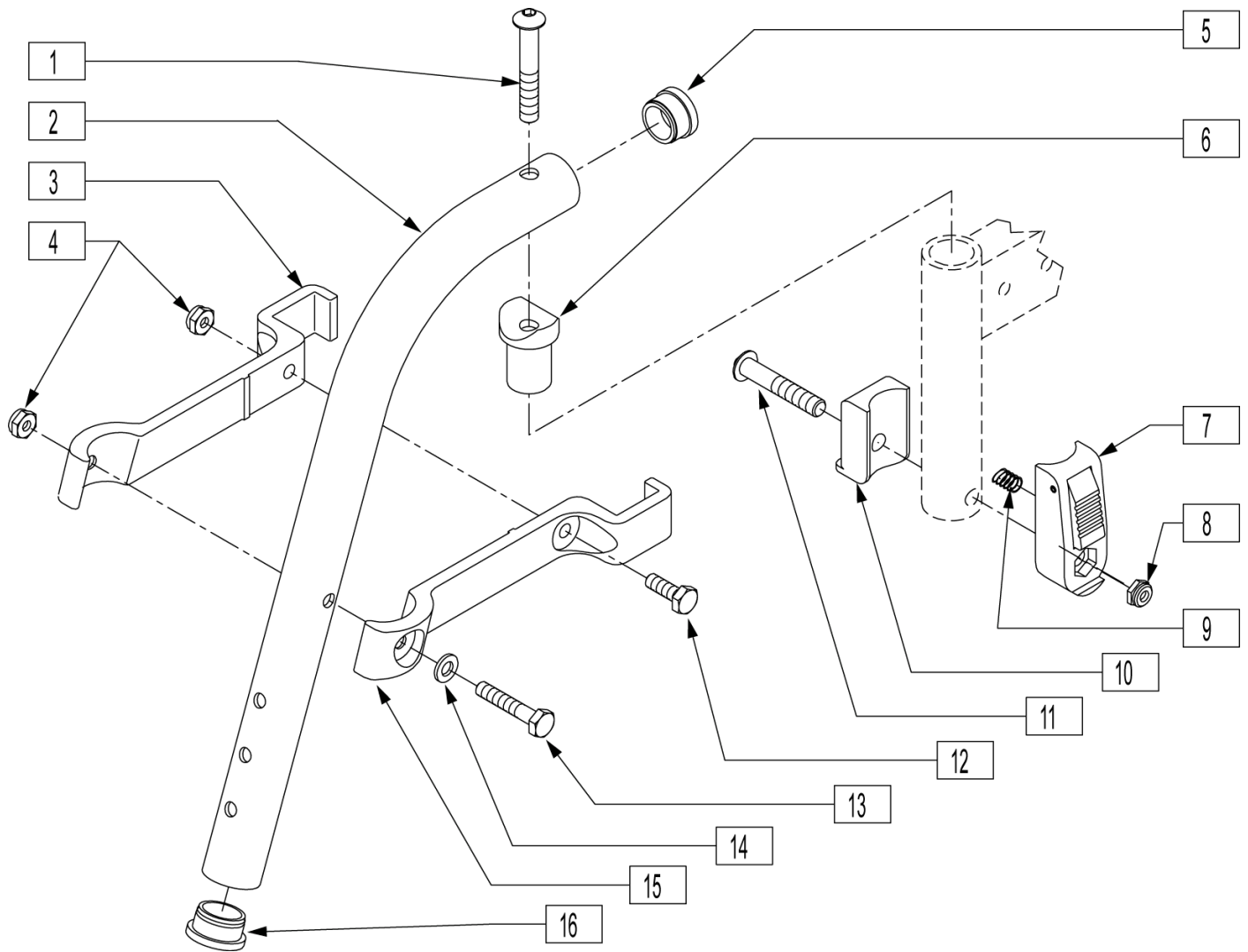


Pos.	Item Number	Description	Remarks
1	226217	5/16-18 x 2 BH C/S BLK	
2	505346	S/A HANGER ONLY R 80D F/MT	RIGHT
2	505347	S/A HANGER ONLY L 80D F/MT	LEFT
3	561002	1" INSERT PLUG .083	
4	561197	PLASTIC PIVOT SADDLE	
5	226057	10/24 x .725 BTTN HD SOC BZ	
6	561079	S/A LATCH LEVER	
7	321136	S/A SPRING L RED	LEFT
7	321137	S/A SPRING R CLEAR	RIGHT
8,9	881500	LATCH BLOCK ASSM R	RIGHT
8,9	881501	LATCH BLOCK ASSM L	LEFT
1-9	641144	HANGER 80D R PNTD S/A F/MT	RIGHT
1-9	641145	HANGER 80D L PNTD S/A F/MT	LEFT
5-9	881521	S/A LATCH KIT CASTING	RIGHT
5-9	881522	S/A LATCH KIT CASTING	LEFT



Pos.	Item Number	Description	Remarks
1	226217	5/16-18 x 2 BH C/S BLK	
2	561002	1" INSERT PLUG .083	
3	561197	PLASTIC PIVOT SADDLE	
4	226057	10/24 x .725 BTTN HD SOC BZ	
5	561079	S/A LATCH LEVER	
6	321136	S/A SPRING L RED	LEFT
6	321137	S/A SPRING R CLEAR	RIGHT
8	505039	S/A HANGER ONLY L 90D	LEFT
8	505040	S/A HANGER ONLY R 90D	RIGHT
1,3	880545	PIVOT SADDLE .125 W/SCREW	
7,9	881500	LATCH BLOCK ASSM R	RIGHT
7,9	881501	LATCH BLOCK ASSM L	LEFT
1-9	641556	HANGER 90D R PNTD S/A	RIGHT
1-9	641557	HANGER 90D L PNTD S/A	LEFT
5-9	881521	S/A LATCH KIT CASTING	RIGHT
5-9	881522	S/A LATCH KIT CASTING	LEFT

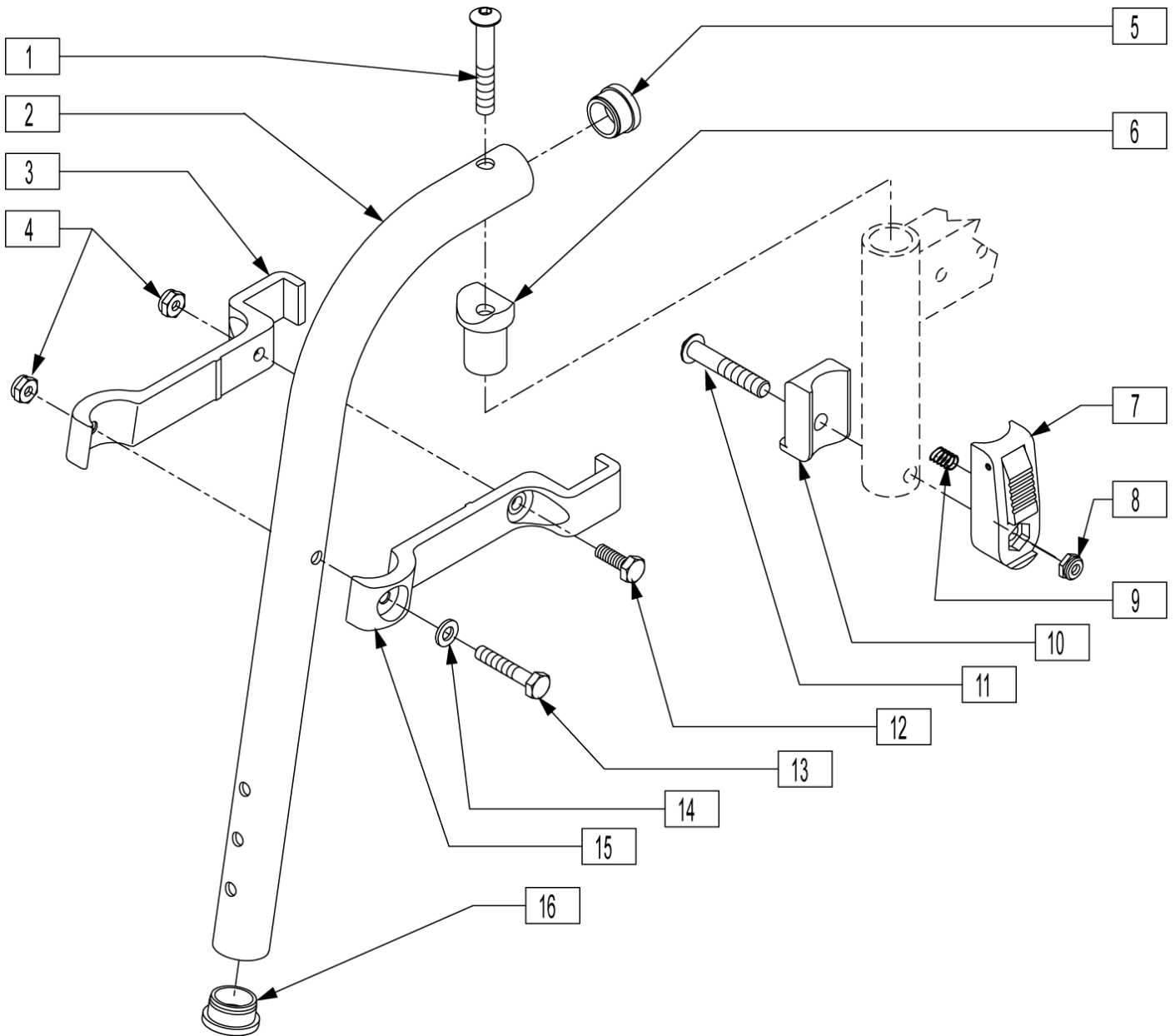
NOTE: * ORDER ITEM 16 WHEN NOT USING FOOTREST EXTENSION.



Pos.	Item Number	Description	Remarks
1	226198	5/16-18 x 2 BH C/S SHT THREAD	
2	523912	HANGER TUBE 70ø HD	
3	550152	T45 HANGER BRACKET 70ø R	
4	201100-QU	1/4-28 NYLOCK NUT THIN	
5	561002	1" INSERT PLUG .083	
6	561197	PLASTIC PIVOT SADDLE	
7	880053	FOOTREST BLOCK T45	
8	202102	5/16-18 NYLOCK NUT THIN	
9	321141	.650 x 6 COIL SPRING	
10	560684	T45 FOOTREST BLOCK RECESSED	
11	226194	5/16-18 x 1.63 BH C/S	
12	221100	1/4-28 x 3/4 HEX C/S	
13	221127	1/4-28 x 1 3/8 HEX C/S	
14	262100-QU	1/4 AN WASHER FLAT	
15	550153	T45 HANGER BRACKET 70ø L	

Pos.	Item Number	Description	Remarks
16	561002	1" INSERT PLUG .083	ORDER WHEN NOT USING FOOTREST EXTENSION
7-11	920720	FOOTREST BLOCK ASSEMBLY W/BOLT HD	
1-6,12-15	641210	HANGER 70D PNTD R HD	
1-6,12-15	641211	HANGER 70D PNTD L HD	

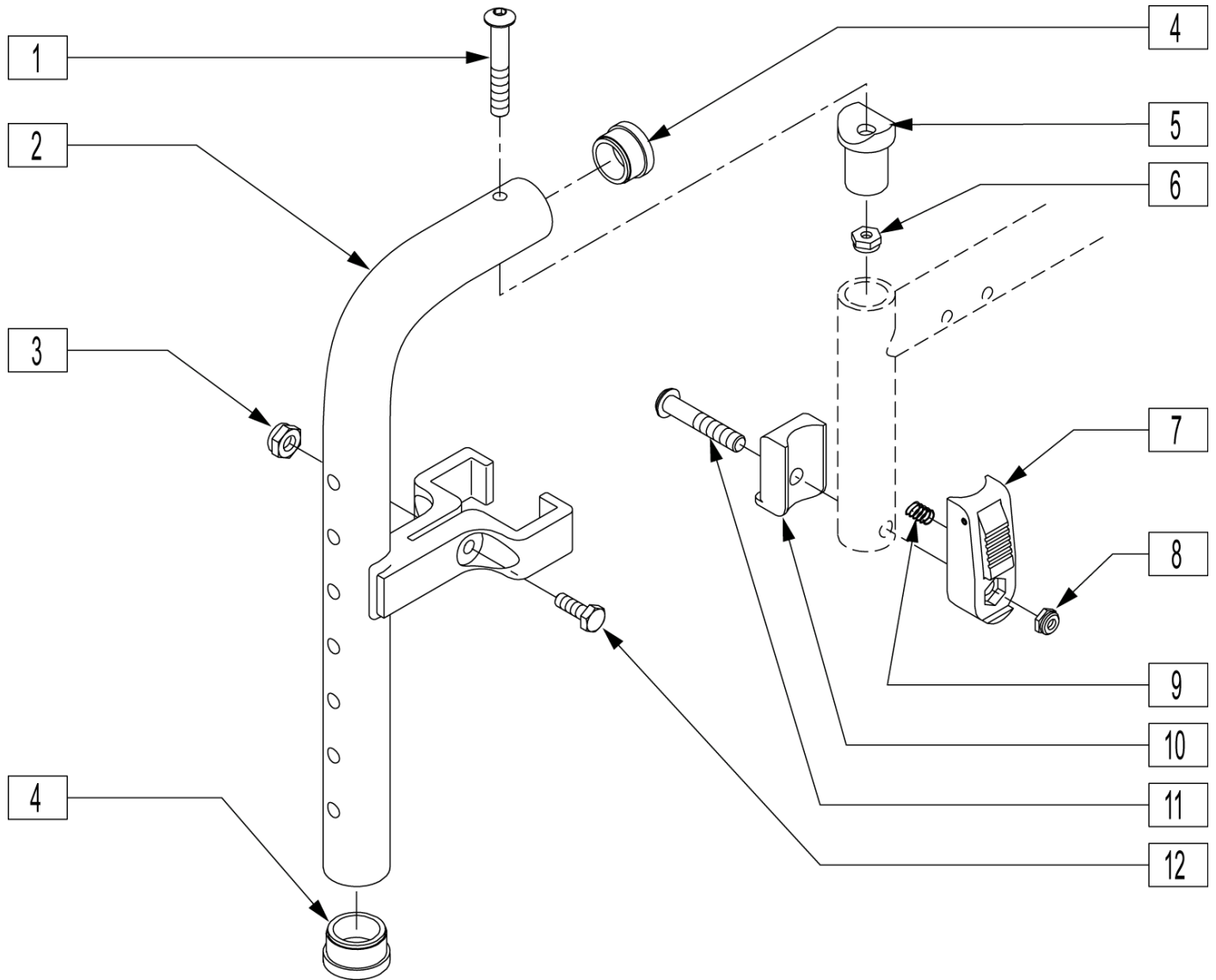
NOTE: * ORDER ITEM 16 WHEN NOT USING FOOTREST EXTENSION.



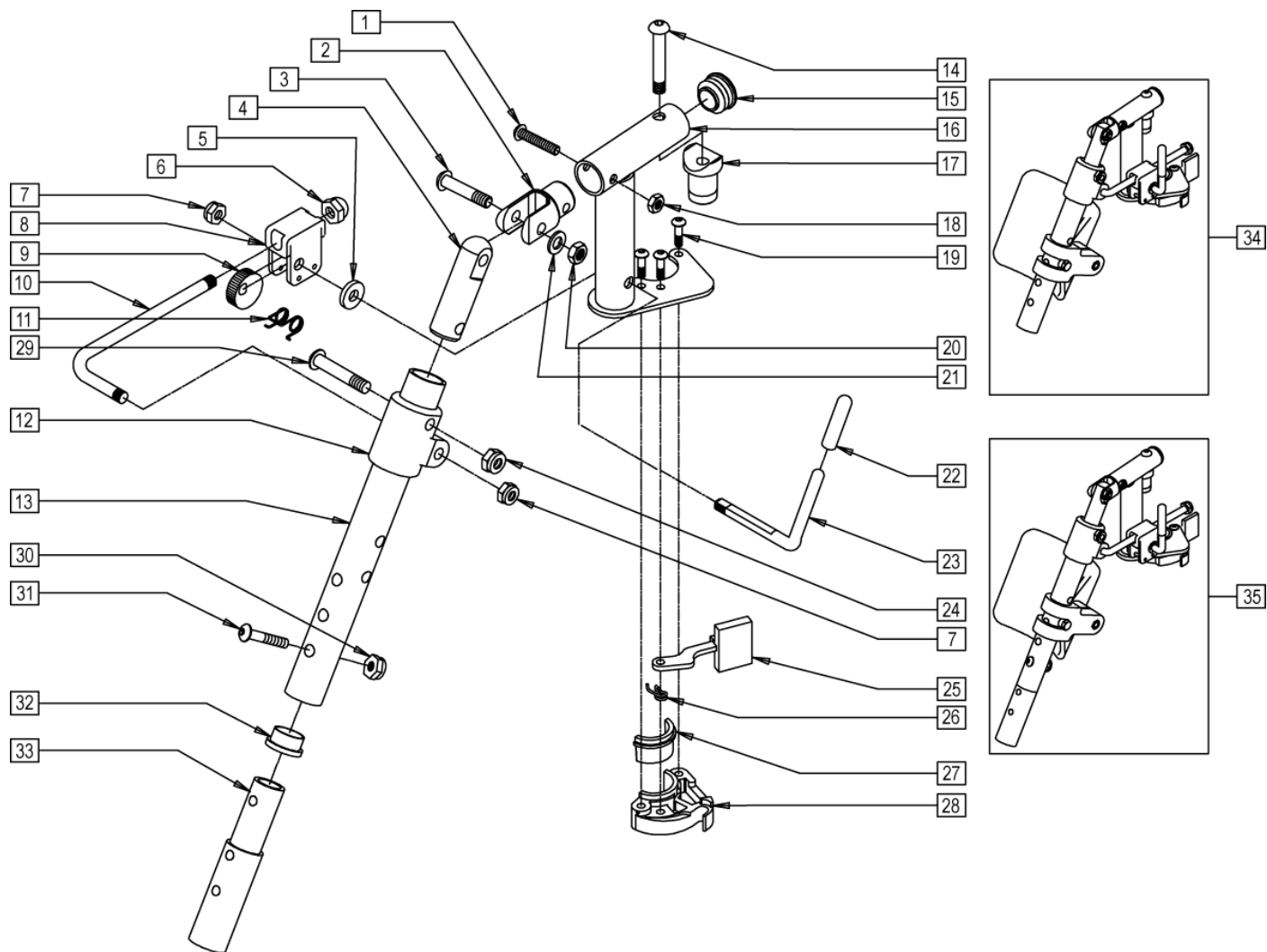
Pos.	Item Number	Description	Remarks
1	226198	5/16-18 x 2 BH C/S SHT THREAD	
2	523913	HANGER TUBE 80ø HD	
3	550154	T45 HANGER BRACKET 80ø R	
4	201100-QU	1/4-28 NYLOCK NUT THIN	
5	561002	1" INSERT PLUG .083	
6	561197	PLASTIC PIVOT SADDLE	
7	880053	FOOTREST BLOCK T45	
8	202102	5/16-18 NYLOCK NUT THIN	
9	321141	.650L x 6 COIL SPRING	
10	560684	T45 FOOTREST BLOCK RECESSED	

Pos.	Item Number	Description	Remarks
11	226194	5/16-18 x 1.63 BH C/S	
12	221100	1/4-28 x 3/4 HEX C/S	
13	221127	1/4-28 x 1 3/8 HEX C/S	
14	262100-QU	1/4 AN WASHER FLAT	
15	550155	T45 HANGER BRACKET 80ø L	
16	561002	1" INSERT PLUG .083	ORDER WHEN NOT USING FOOTREST EXTENSION
7-11	920720	FOOTREST BLOCK ASSEMBLY W/BOLT HD	
1-6,12-15	641200	HANGER 80D PNTD R HD	
1-6,12-15	641201	HANGER 80D PNTD L HD	

NOTE: THIS HANGER HAS BEEN TESTED AND APPROVED FOR OCCUPANTS THAT WEIGH LESS THAN 150 POUNDS.

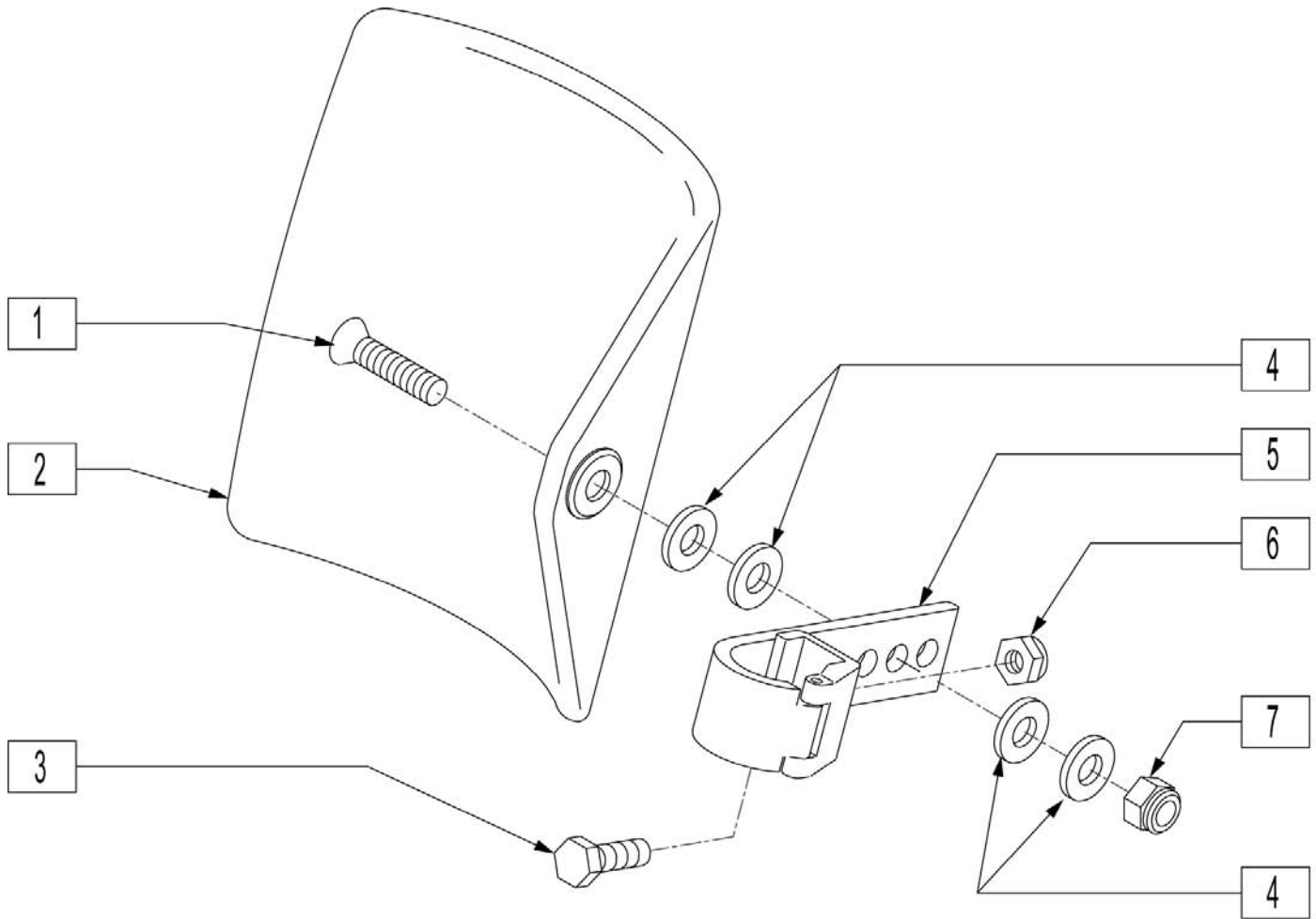


Pos.	Item Number	Description	Remarks
1	226198	5/16 -18 x 2 BH C/S SHT THREAD	
3	201100-QU	1/4-28 NYLOCK NUT THIN	
4	561002	1" INSERT PLUG .083	
5	561197	PLASTIC PIVOT SADDLE	
6	202103	5/16-18 NYLOCK NUT THICK	
7	880053	FOOTREST BLOCK T45	
8	202102	5/16-18 NYLOCK NUT THIN	
9	321141	.650L x 6 COIL SPRING	
10	560684	T45 FOOTREST BLOCK RECESSED	
11	226194	5/16-18 x 1.63 BH C/S	
12	221100-QU	1/4-28 x 3/4 HEX C/S	
7-11	920720	FOOTREST BLOCK ASSM W/BOLT HD	
1-6,12	885005	90° F/D H/D L/O HNGR ASSM PNTD	

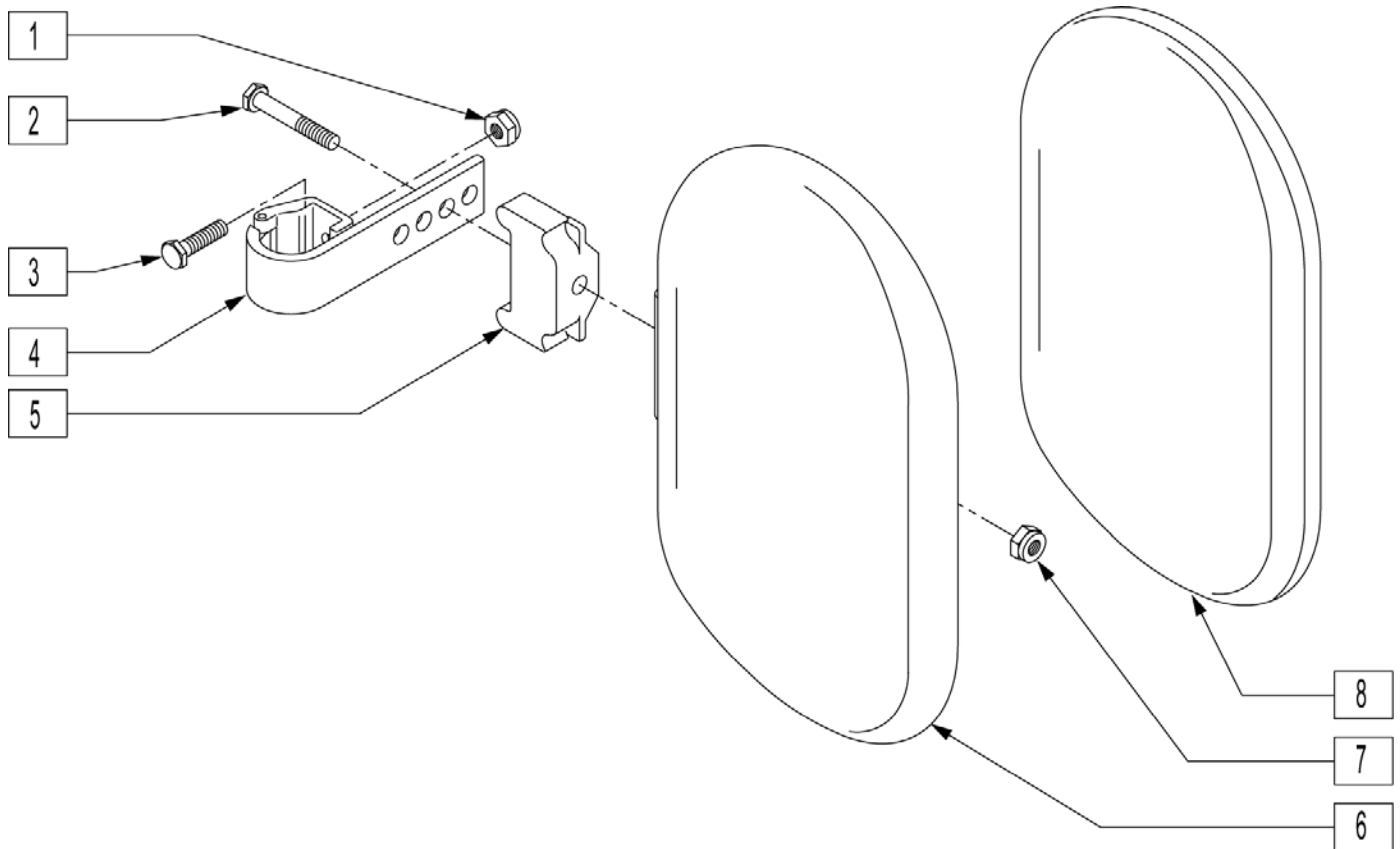


Pos.	Item Number	Description	Remarks
1	226129	1/4-28 x 1 1/4 BH C/S	
2	505281	ELR CLEVIS	
3	226138	5/16-24 x 1 1/2 BH C/S	
4	540252	ELR PIVOT PRS	
5	561059	3/4 OD x .318 ID WASHER	
6	202109	5/16-24 ACORN NUT HEX	
7	202100-MJ	5/16-24 NYLOCK NUT THIN	
8	880990	ELR LOCK HOUSING W/PIN	
9	481119	ELR CAM LOCKING POWDERED METAL	
10	481505	ELR LOCK ROD 90D	
11	321106	ELR TORSION SPRING	
12	560430	ELR ROD UPPER PIVOT	
13	505097	ELR KIDS TUBE	
14	226217	5/16-18 x 2" BH C/S BLK	
15	561062	1" INSERT PLUG .065 RIBS	
16	505278	ELR HANGER BRKT R NEW	
16	505279	ELR HANGER BRKT L NEW	
17	561197	PLASTIC PIVOT SADDLE	
18	201100-QU	1/4-28 NYLOCK NUT THIN	

Pos.	Item Number	Description	Remarks
19	226057	10/24 x .725 BTTN HD SOC BZ	
20	202100-MJ	5/16-24 NYLOCK NUT THIN	
21	263100	5/16 AN WASHER FLAT	
22	561049	ELR RELEASE ROD COVER	
23	481123	ELR ACTUATION ARM 90 DEG KDS	
24	202100-MJ	5/16-24 NYLOCK NUT THIN	
25	561079	S/A LATCH LEVER	
26	321136	S/A SPRING L RED	
26	321137	S/A SPRING R CLEAR	
29	226138	5/16-24 x 1 1/2 BH C/S	
30	201100-QU	1/4-28 NYLOCK NUT THIN	
31	226129	1/4-28 x 1 1/4 BH C/S	
32	561002	1" INSERT PLUG .083	
33	500150	2" FOOTREST EXT TUBE	
34	923068	ELR HNGR ASSM 90D W/ PAD 2" EXT	
35	923067	ELR HNGR ASSM 90D W/ PAD	
30,31,33	881403	2" FTRST EXT TUBE W/HDWR ASSM	
27,28	881500	LATCH BLOCK ASSM R	
27,28	881501	LATCH BLOCK ASSM L	
22,23	882411	ELR 90D ACTUATION ARM ASSM	
1-4,14-21,25-28	882413	ELR PIVOT BLOCK ASSM R	
1-4,14-21,25-28	882414	ELR PIVOT BLOCK ASSM L	
1-28	641458	ELR HNGR 90D W/O PAD PNTD R	
1-28	641459	ELR HNGR 90D W/O PAD PNTD L	
1-28,30,31,33	641468	HANGER ELR 90 W/O PAD R 2" EXT	
1-28,30,31,33	641469	HANGER ELR 90 W/O PAD L 2" EXT	

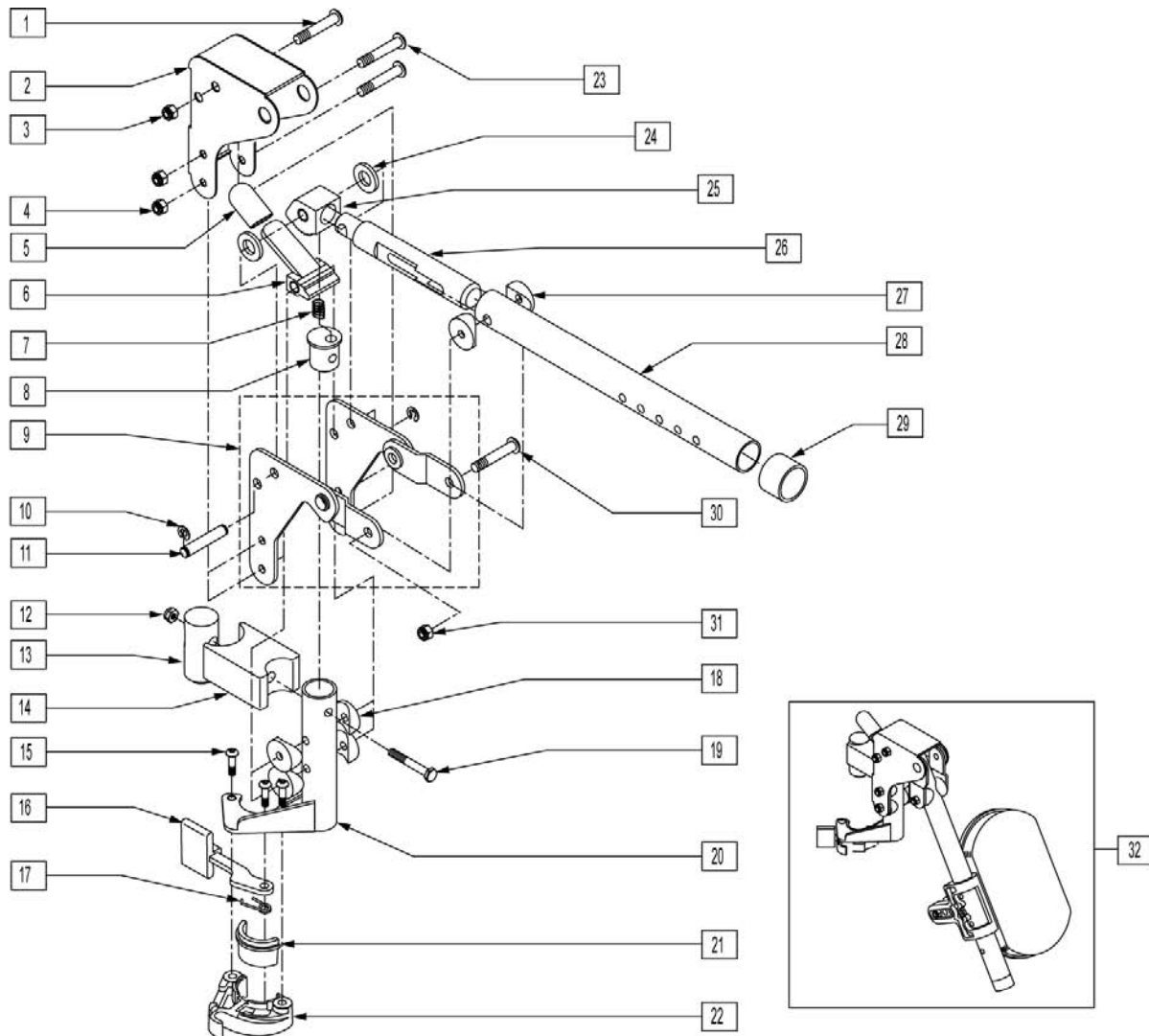


Pos.	Item Number	Description	Remarks
1	222108	5/16-18 x 1 1/4 BH C/S	
2	755014	CALF PAD TROUGH STYLE 14"/16"	
3	221096	1/4-28 x 5/8 HEX C/S	
4	561016	1" WASHER 5/16" HOLE	
5	881413	CALF PAD BRACKET ASSEMBLY	
6	201110-QU	1/4-28 NYLOCK NUT	
7	202102	5/16-18 NYLOCK NUT THIN	
1-7	881414	CALF PAD J-HOOK 14"-15" ASSEMBLY	



Pos.	Item Number	Description	Remarks
1	201110-QU	1/4-28 NYLOCK NUT	
2	222242	5/16-18 x 2 1/2 HEX C/S (16"-17")	
2	222255	5/16-18 x 3 1/2 HEX C/S (18"-20")	
3	221096	1/4-28 x 5/8 HEX C/S	
4	881413	CALF PAD BRACKET ASSEMBLY	
5	560199	ELR CALF HINGE SPACER	
6	560108	CALF PAD MOLDED 16"-20"	
7	202103	5/16-18 NYLOCK NUT THICK	
8	751045	CALF PAD COVER	
8	751046	CALF PAD COVER (BREEZY)	
1-4,6,7	881416	CALF MOLDED 16"-17" ASSEMBLY	
1-7	881412	CALF PAD MOLDED 18"-20" ASSEMBLY	

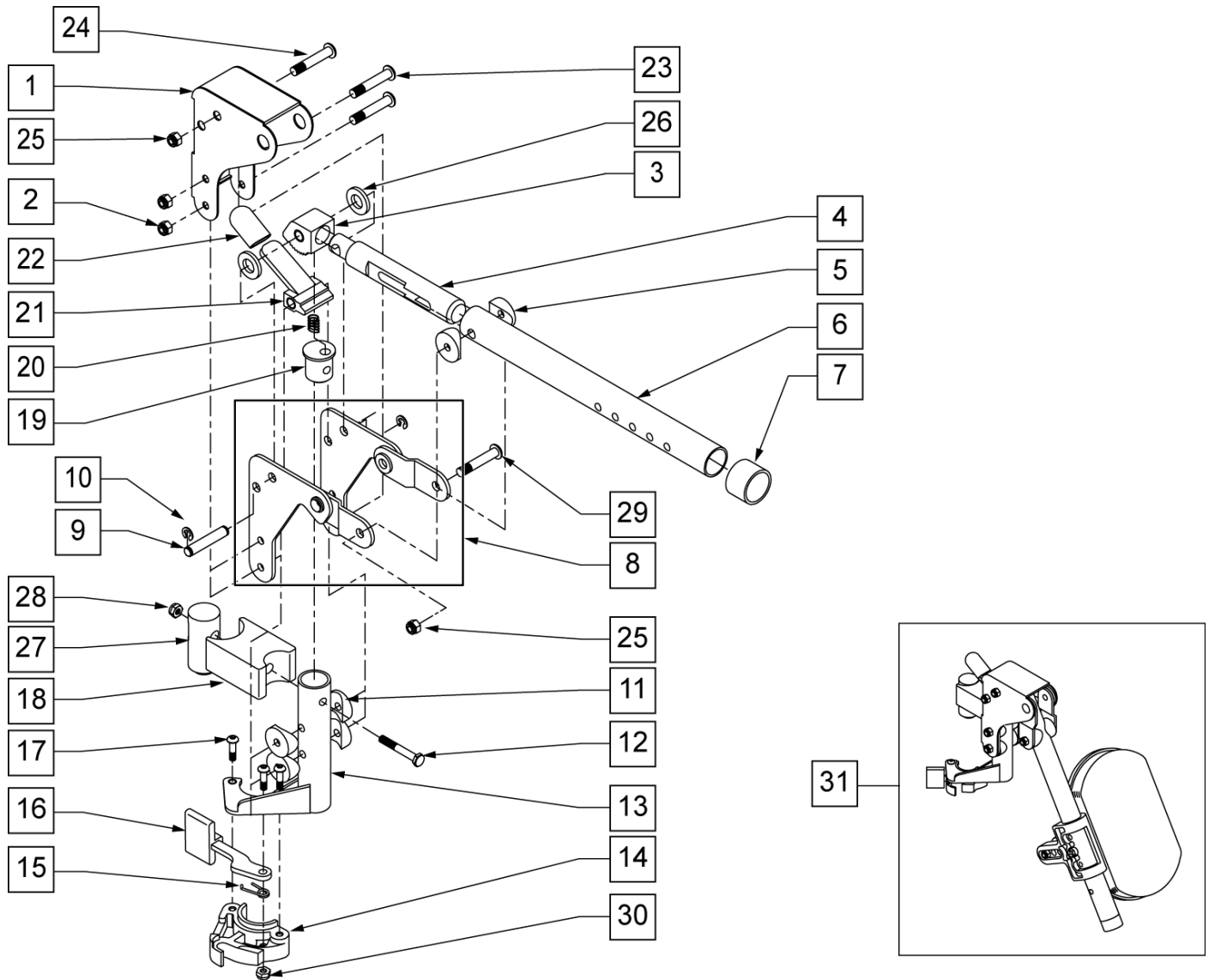
NOTE: WHEN USING AN ARTICULATING LEGREST ASSEMBLY, THE PULL-TO-LOCK WHEEL LOCK MUST BE USED.



Pos.	Item Number	Description	Remarks	Pos.	Item Number	Description	Remarks
1	226198	5/16-18 x 2 BH C/S SHT THREAD		15	226057	10/24 x .725 BTTN HD SOC BZ	
2	562720	ALR COVER STD		16	561079	S/A LATCH LEVER	
3	202102	5/16-18 NYLOCK NUT THIN		17	321136	S/A SPRING L RED	
4	201100-QU	1/4-28 NYLOCK NUT THIN		17	321137	S/A SPRING R CLEAR	
5	560501	ALR RELEASE LEVER COVER		18	561004	1" SADDLE 1/4" HOLE	
6	505902	ALR RELEASE LEVER		19	221201	1/4-28 x 3 G8 HEX C/S	
7	321141	650L x 6 COIL SPRING		20	505027	ALR S/A TUBEONLY R BLACK	
8	483060	ALR SPRING PLUG		20	505028	ALR S/A TUBEONLY L BLACK	
9	880526	ALR BRACKET W/LINK R		23	226150	1/4-28 x 2 BH C/S	
9	880527	ALR BRACKET W/LINK L		24	561016	1" WASHER 5/16" HOLE	
10	342000	1/4" E-CLIP		25	505900	ALR RATCHET BLOCK	
11	481052	ALR RETAINING STUD		26	483062	ALR RATCHET ROD	
12	201110-QU	1/4-28 NYLOCK NUT		27	561006	1" SADDLE 5/16" HOLE	
13	500177	ALR PIVOT SADDLE .125		28	505026	ALR TUBE ONLY	
14	500178	ALR PIVOT SADDLE BLOCK		29	561082	1" TUBE END BUSHING THIN	

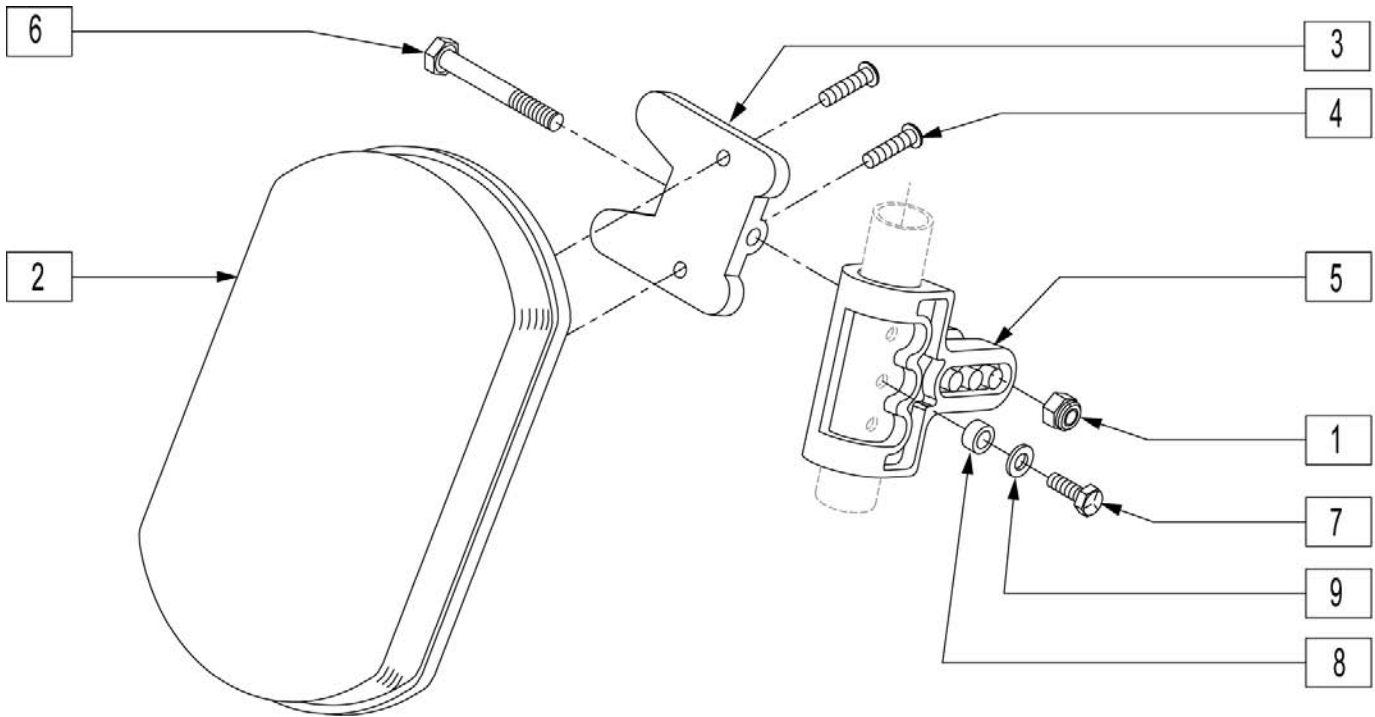
Pos.	Item Number	Description	Remarks	Pos.	Item Number	Description	Remarks
30	226195	5/16-18 x 1.82 BH C/S		1-31	641464	HANGER ALR W/O PAD PNTD R	
31	202102	5/16-18 NYLOCK NUT THIN		1-31	641465	HANGER ALR W/O PAD PNTD L	
21,22	881500	LATCH BLOCK ASSM R		32	923051	ALR HANGER ASSM W/PAD ALUM LB	
21,22	881501	LATCH BLOCK ASSM L					

NOTE: WHEN USING AN ARTICULATING LEGREST ASSEMBLY, THE PULL-TO-LOCK WHEEL LOCK MUST BE USED.



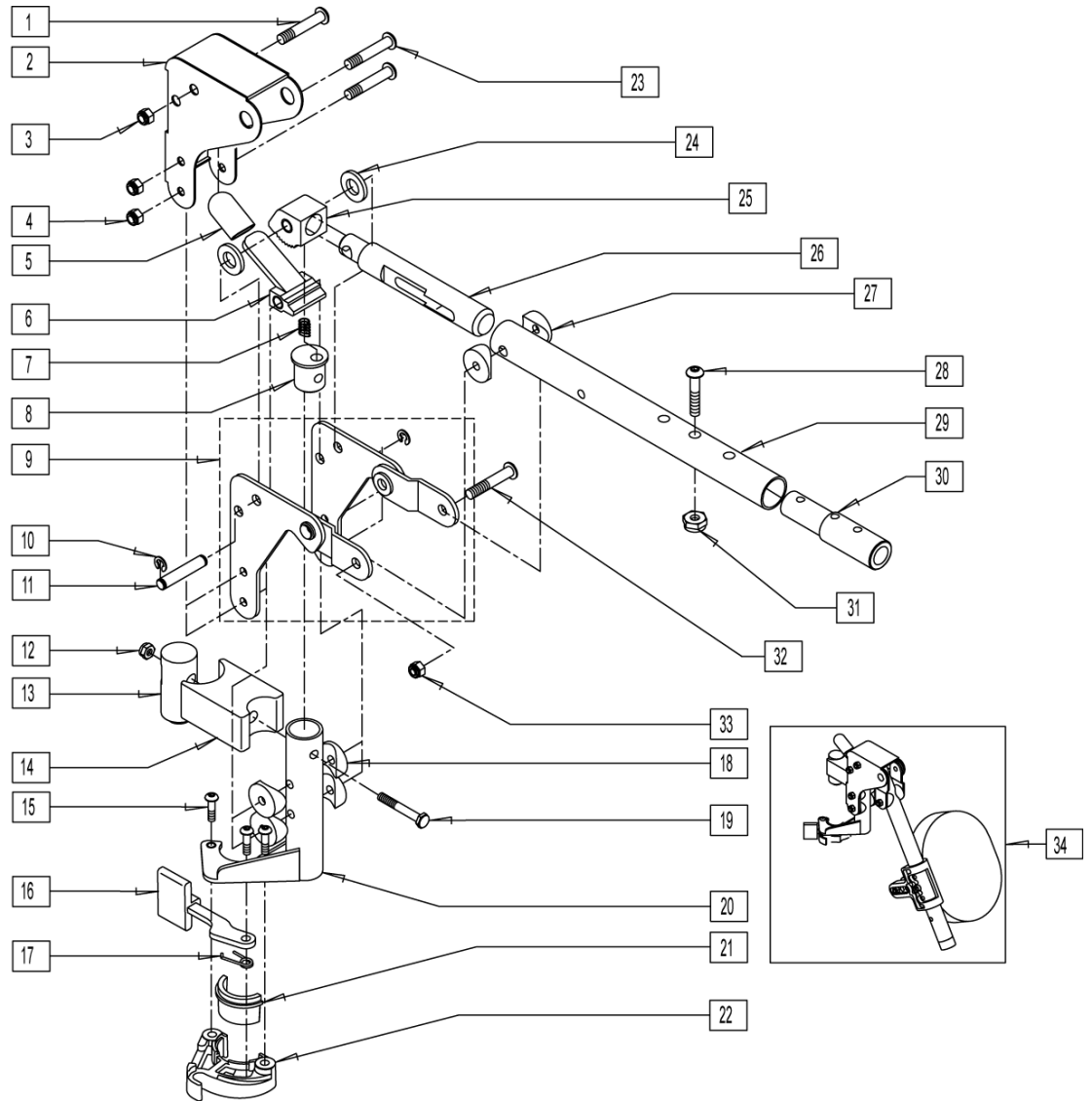
Pos.	Item Number	Description	Remarks
1	562720	ALR COVER STD	
2	201100-QU	1/4-28 NYLOCK NUT THIN	
3	505900	ALR RATCHET BLOCK	
4	483062	ALR RATCHET ROD	
5	561006	1" SADDLE 5/16" HOLE	
6	505026	ALR TUBE ONLY (SPECIFY COLOR)	
7	561082	1" TUBE END BUSHING THIN	
8	880526	ALR BRACKET W/LINK	RIGHT
8	880527	ALR BRACKET W/LINK	LEFT
9	481052	ALR RETAINING STUD	
10	342000	1/4" E-CLIP	

Pos.	Item Number	Description	Remarks
11	561004	1" SADDLE 1/4" HOLE	
12	221201	1/4-28 x 3 G8 HEX C/S	
13	505027	ALR S/A TUBE ONLY SPECIFY COLOR	RIGHT
13	505028	ALR S/A TUBE ONLY SPECIFY COLOR	LEFT
14	561076	S/A LATCH BLOCK	RIGHT
14	561078	S/A LATCH BLOCK	LEFT
15	321136	S/A SPRING L RED	LEFT
15	321137	S/A SPRING R CLEAR	RIGHT
16	561079	S/A LATCH LEVER	
17	226057	10/24 x .725 BTTN HD SOC BZ	
18	500178	ALR PIVOT SADDLE BLOCK	
19	483060	ALR SPRING PLUG	
20	321141	.650L x 6 COIL SPRING	
21	505902	ALR RELEASE LEVER	
22	560501	ALR RELEASE LEVER COVER	
23	226150	1/4-28 x 2 BH C/S	
24	226217	5/16-18 x 2" BH C/S BLK	
25	202102	5/16-18 NYLOCK NUT THIN	
26	561016	1" WASHER 5/16" HOLE	
27	500177	ALR PIVOT SADDLE .125	
28	201110	1/4-28 NYLOCK NUT	
29	226195	5/16-18 x 1.82 BH C/S	
30	200107	10-24 NYLOCK NUT THIN	
1-30	641464	HANGER ALR W/O PAD PNTD SPECIFY COLOR	RIGHT
1-30	641465	HANGER ALR W/O PAD PNTD SPECIFY COLOR	LEFT
31	923052	ALR HANGER ASSEMBLY W/PAD SPECIFY COLOR	PAIR



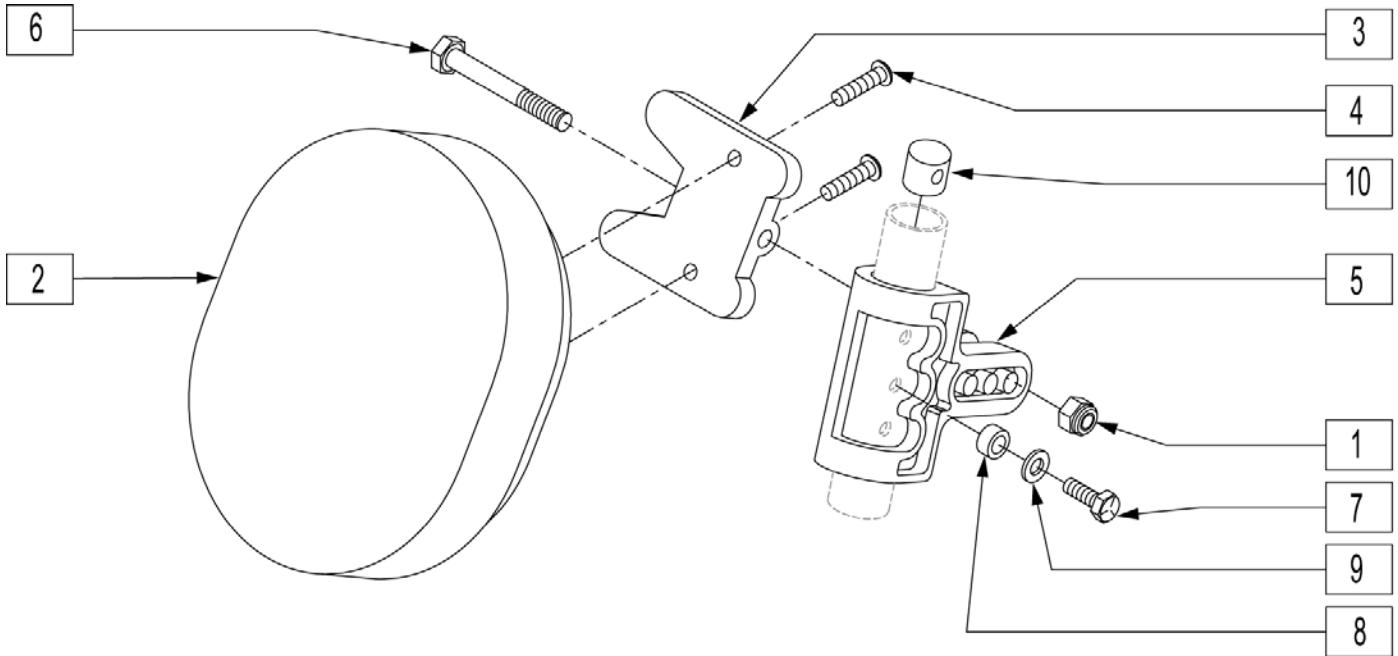
Pos.	Item Number	Description	Remarks
1	202103	5/16-18 NYLOCK NUT THICK	
2	755010	ALR/ELR PAD	
3	561096	ALR/ELR CALF PAD BRACKET	
4	281182	1/4-20 x 5/8 PAN PHIL	
5	561099	CALF CLAMP ALR	
6	222255	5/16-18 x 3 1/2 HEX C/S	
7	221126	1/4-20 x 1 1/4 G8 HEX C/S	
8	483027	1/4 x 1/4 ALUMINUM SPACER BLK	
9	262130	6mm WASHER WAVE	
1-6	881399	ALR CALF PAD W/BRACKET	
1,3-9	881398	ALR CALF CLAMP ASSM W/O PAD	
1-9	881400	ALR CALF PAD ASSEMBLY (EA)	

NOTE: WHEN USING AN ARTICULATING LEGREST ASSEMBLY, THE PULL-TO-LOCK WHEEL LOCK MUST BE USED.

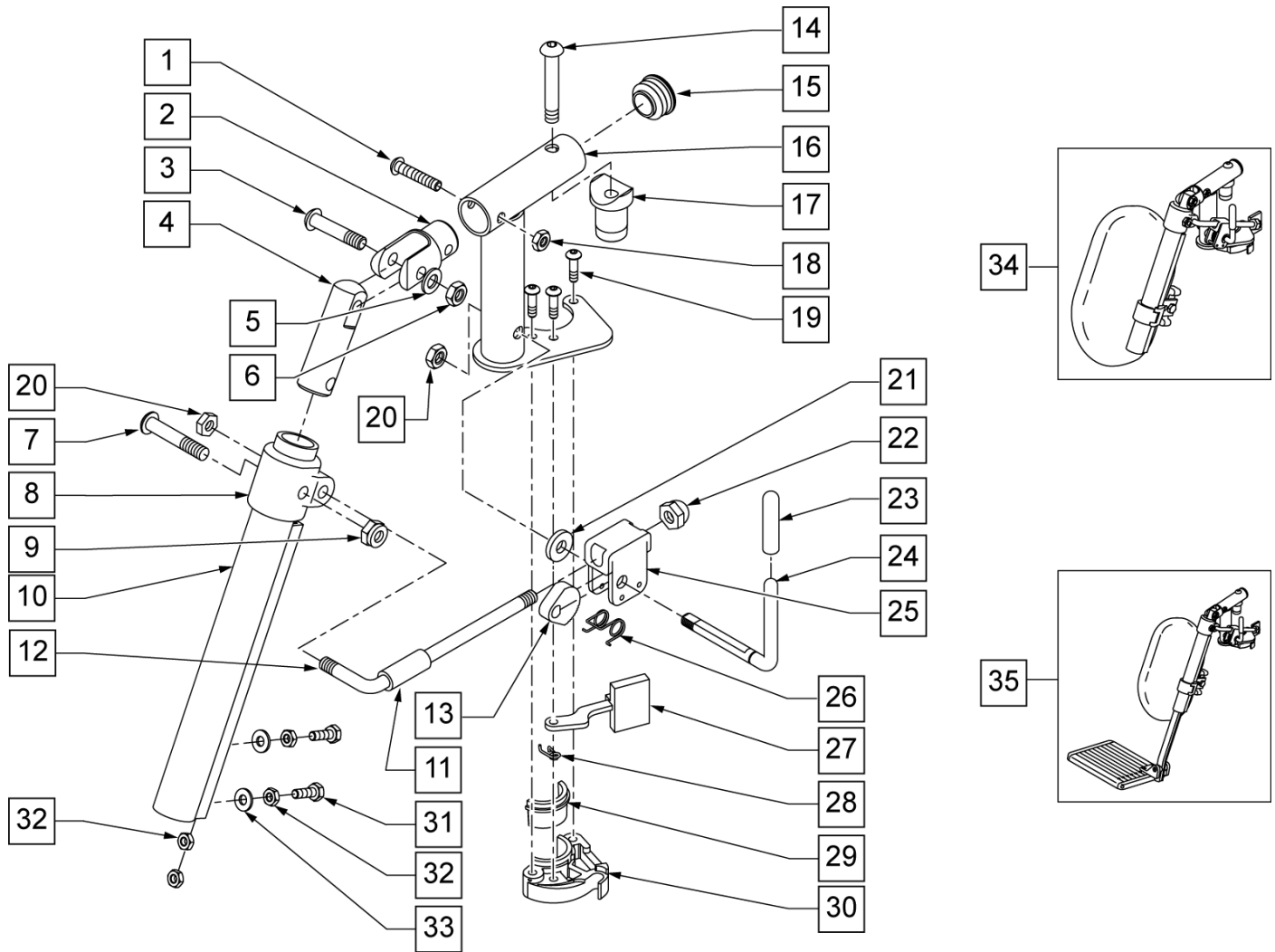


Pos.	Item Number	Description	Remarks
1	226198	5/16-18 x 2 BH C/S SHT THREAD	
2	560720	ALR COVER STD	
3	202102	5/16-18 NYLOCK NUT THIN	
4	201100-QU	1/4-28 NYLOCK NUT THIN	
5	560501	ALR RELEASE LEVER COVER	
6	505902	ALR RELEASE LEVER	
7	321141	650L x 6 COIL SPRING	
8	483060	ALR SPRING PLUG	
9	880526	ALR BRACKET W/LINK R	
9	880527	ALR BRACKET W/LINK L	
10	342000	1/4" E-CLIP	
11	481052	ALR RETAINING STUD	
12	201110-QU	1/4-28 NYLOCK NUT	

Pos.	Item Number	Description	Remarks
13	500177	ALR PIVOT SADDLE .125	
14	500178	ALR PIVOT SADDLE BLOCK	
15	226057	10/24 x .725 BTTN HD SOC BZ	
16	561079	S/A LATCH LEVER	
17	321136	S/A SPRING R CLEAR	
17	321137	S/A SPRING R	
18	561004	1" SADDLE 1/4 HOLE	
19	221201	1/4-28 x 3 G8 HEX C/S	
20	882466	ALR S/A TUBE ASSM L	
20	882467	ALR S/A TUBE ASSM R	
23	226150	1/4-28 x 2 BH C/S	
24	561016	1" WASHER 5/16 HOLE	
25	505900	ALR RATCHET BLOCK	
26	483062	ALR RATCHET ROD	
27	561006	1" SADDLE 5/16" HOLE	
28	226129	1/4-28 x 1 1/4 BH C/S	
29	505025	KIDS ALR LEGREST TUBE 11-13"	
30	500150	2" FOOTREST EXT TUBE	
31	201100-QU	1/4-28 NYLOCK NUT THIN	
32	226195	5/16-18 x 1.82 BH C/S	
33	202102	5/16-18 NYLOCK NUT THIN	
34	923053	KIDS ALR HANGER ASSEM W/PAD	(PR) (SPECIFY COLOR)
28,30,31	881403	2" FTRST EXT TUBE W/HDWR ASSM	
21,22	881500	LATCH BLOCK ASSM R	
21,22	881501	LATCH BLOCK ASSM L	
1-31	641432	KIDS ALR HNGR W/O PAD R 2" EXT	
1-31	641433	KIDS ALR HNGR W/O PAD L 2" EXT	

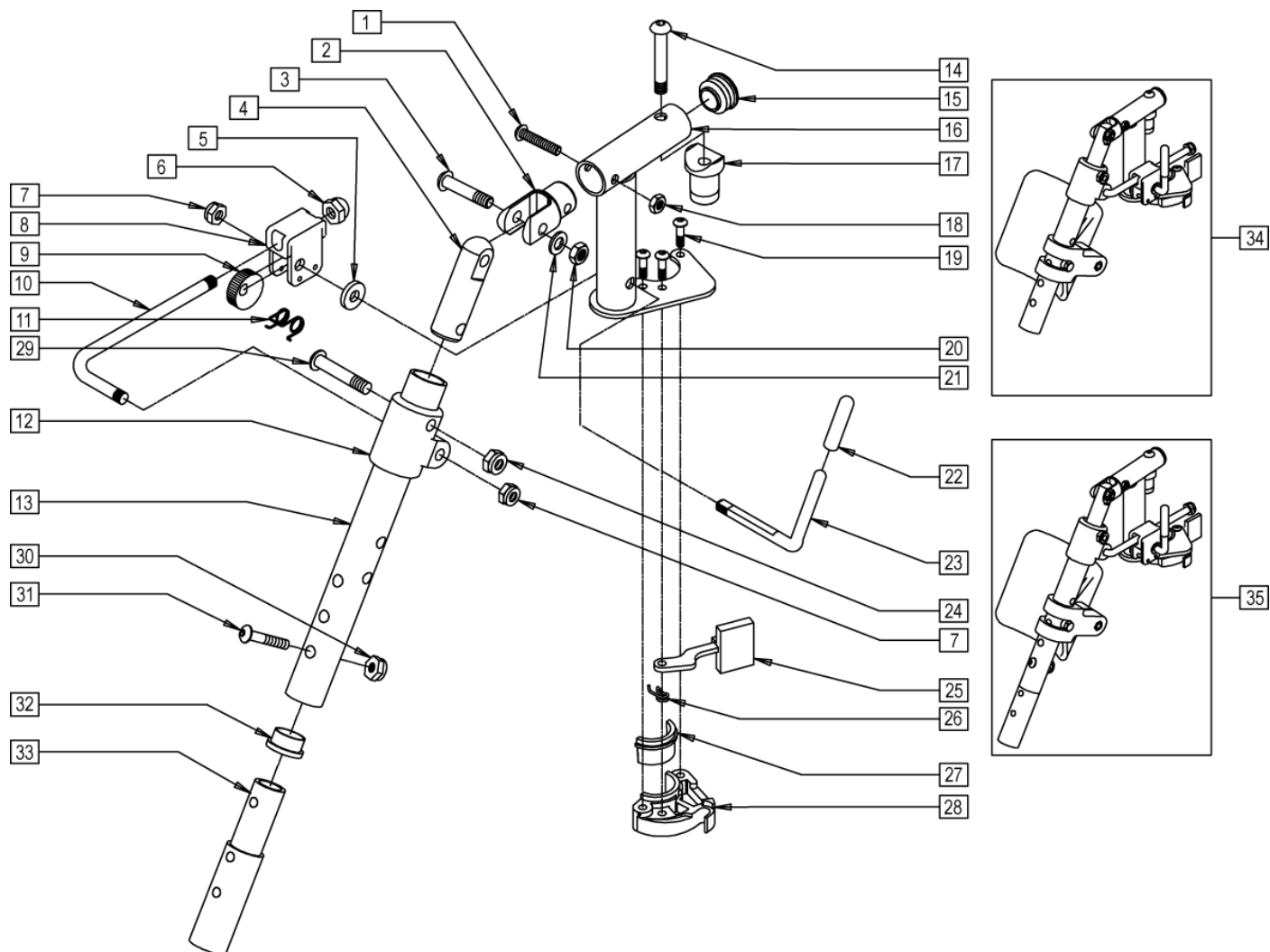


Pos.	Item Number	Description	Remarks
1	202103	5/16-18 NYLOCK NUT THICK	
2	755020	4 x 5 OVAL PAD	
3	561096	ALR/ELR CALF PAD BRACKET	
4	281181	1/4-20 x 3/4 PAN PHIL	
5	561099	CALF CLAMP ALR	
6	222255	5/16-18 x 3 1/2 HEX C/S	
7	221126	1/4-20 x 1 1/4 G8 HEX C/S	
8	483027	1/4 x 1/4 ALUMINUM SPACER	
9	262130	6mm WASHER WAVE	
10	500151	KIDS ALR RETAINING PLUG	
1-6	881401	KIDS ALR OVAL PAD W/BACKET	
1-10	881402	KIDS ALR OVAL PAD ASSEMBLY (EA)	



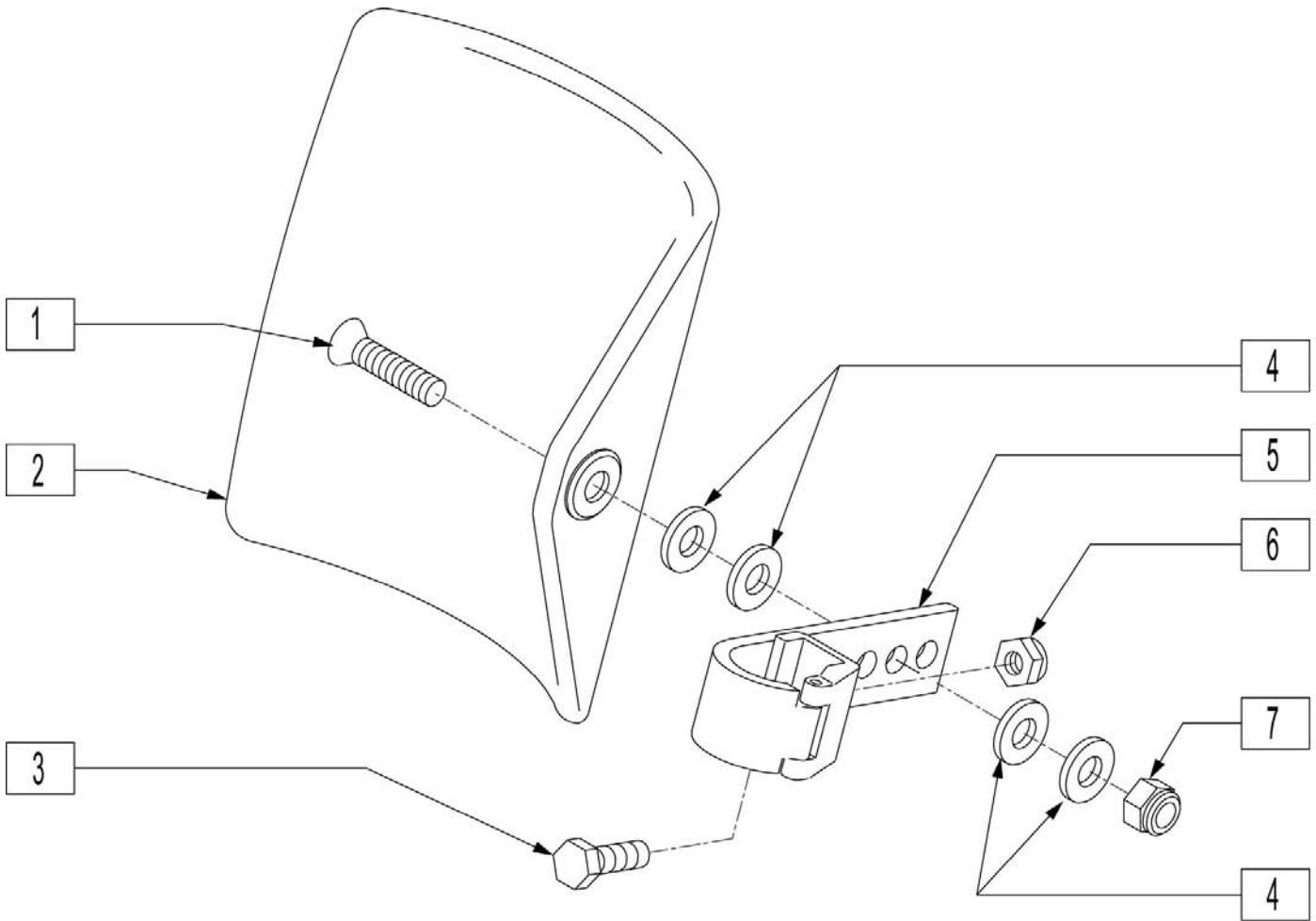
Pos.	Item Number	Description	Remarks
1	226129	1/4-28 x 1 1/4 BH C/S	
2	505281	ELR CLEVIS	
3	226138	5/16-24 x 1 1/2 BH C/S	
4	540252	ELR PIVOT PRS	
5	263100	5/16 AN WASHER FLAT	
6	202100-MJ	5/16-24 NYLOCK NUT THIN	
7	226138	5/16-24 x 1 1/2 BH C/S	
8	560420	ELR UPPER PIVOT PLST	
9	202100-MJ	5/16-24 NYLOCK NUT THIN	
10	550722	ELR ADJUSTMENT TUBE	
11	560784	ELR ADJUSTMENT STOP	
12	481117	ELR LOCK ROD	
13	481119	ELR CAM LOCKING POWDERED METAL	
14	226217	5/16-18 x 2" BH C/S BLK	
15	561062	1" INSERT PLUG .065 RIBS	
16	505278	ELR HANGER BRKT NEW	RIGHT
16	505279	ELR HANGER BRKT NEW	LEFT
17	561197	PLASTIC PIVOT SADDLE	
18	201100-QU	1/4-28 NYLOCK NUT THIN	
19	226057	10/24 x .725 BTTN HD SOC BZ	

Pos.	Item Number	Description	Remarks
20	202100-MJ	5/16-24 NYLOCK NUT THIN	
21	561059	3/4 OD x .318 ID WASHER	
22	202109	5/16-24 ACORN NUT HEX	
23	561049	ELR RELEASE ROD COVER	
24	481122	ELR ACTUATION ARM	
25	880990	ELR LOCK HOUSING W/PIN	
26	321106	ELR TORSION SPRING	
27	561079	S/A LATCH LEVER	
28	321136	S/A SPRING L RED	LEFT
28	321137	S/A SPRING R CLEAR	RIGHT
31	221100	1/4-28 x 3/4 HEX C/S	
32	201112	1/4-28 NUT THIN	
33	262110-QU	1/4 AN WASHER FLAT THIN	
11-13,20-26	881077	ELR LOCK ROD/ARM ASSEMBLY	
29,30	881500	LATCH BLOCK ASSM	RIGHT
29,30	881501	LATCH BLOCK ASSM	LEFT
23,24	882410	ELR ACTUATION ARM ASSEMBLY	
1-6,14-19,27-30	882413	ELR PIVOT BLOCK ASSM	RIGHT
1-6,14-19,27-30	882414	ELR PIVOT BLOCK ASSM	LEFT
1-33	641452	ELR HNGR W/O PAD PNTD MNL	RIGHT
1-33	641453	ELR HNGR W/O PAD PNTD MNL	LEFT
34	923082	ELR HNGR ASSM 14-15 W /PAD (PR)	PAIR
34	923041	ELR HNGR ASSM W/PAD 16-17"	
34	923061	ELR HNGR ASSM W/PAD 18-20"	
35	923088	ELR HNGR REG EXT 14 15" F/PLT	
35	923084	ELR HNGR REG EXT 16 17" F/PLT	
35	923085	ELR HNGR REG EXT 18-20" F/PLT	

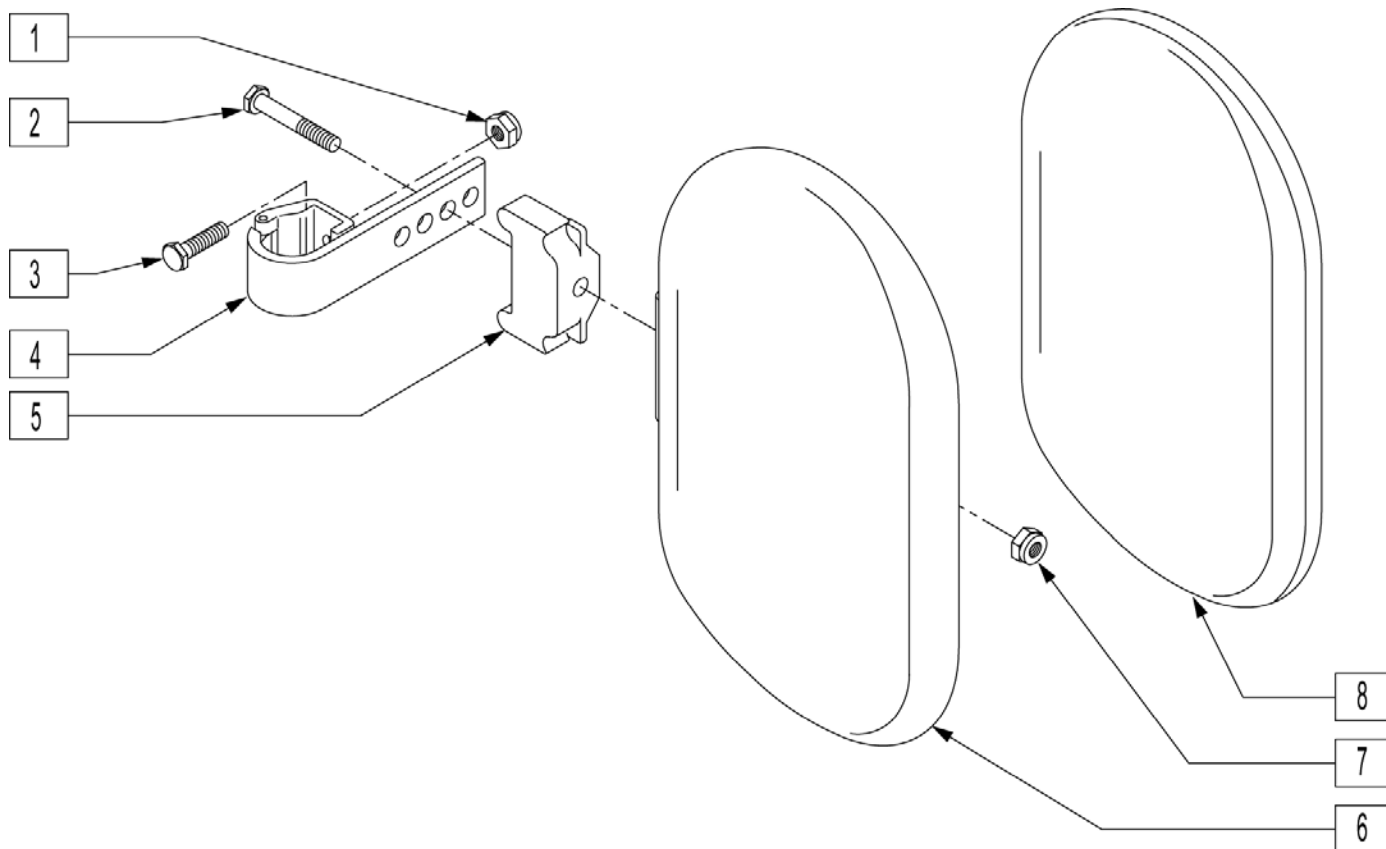


Pos.	Item Number	Description	Remarks
1	226129	1/4-28 x 1 1/4 BH C/S	
2	505281	ELR CLEVIS	
3	226138	5/16-24 x 1 1/2 BH C/S	
4	540252	ELR PIVOT PRS	
5	561059	3/4 OD x .318 ID WASHER	
6	202109	5/16-24 ACORN NUT HEX	
7	202100-MJ	5/16-24 NYLOCK NUT THIN	
8	880990	ELR LOCK HOUSING W/PIN	
9	481119	ELR CAM LOCKING POWDERED METAL	
10	481505	ELR LOCK ROD 90D	
11	321106	ELR TORSION SPRING	
12	560430	ELR ROD UPPER PIVOT	
13	505097	ELR KIDS TUBE	
14	226217	5/16-18 x 2" BH C/S BLK	
15	561062	1" INSERT PLUG .065 RIBS	
16	505278	ELR HANGER BRKT R NEW	
16	505279	ELR HANGER BRKT L NEW	
17	561197	PLASTIC PIVOT SADDLE	
18	201100-QU	1/4-28 NYLOCK NUT THIN	

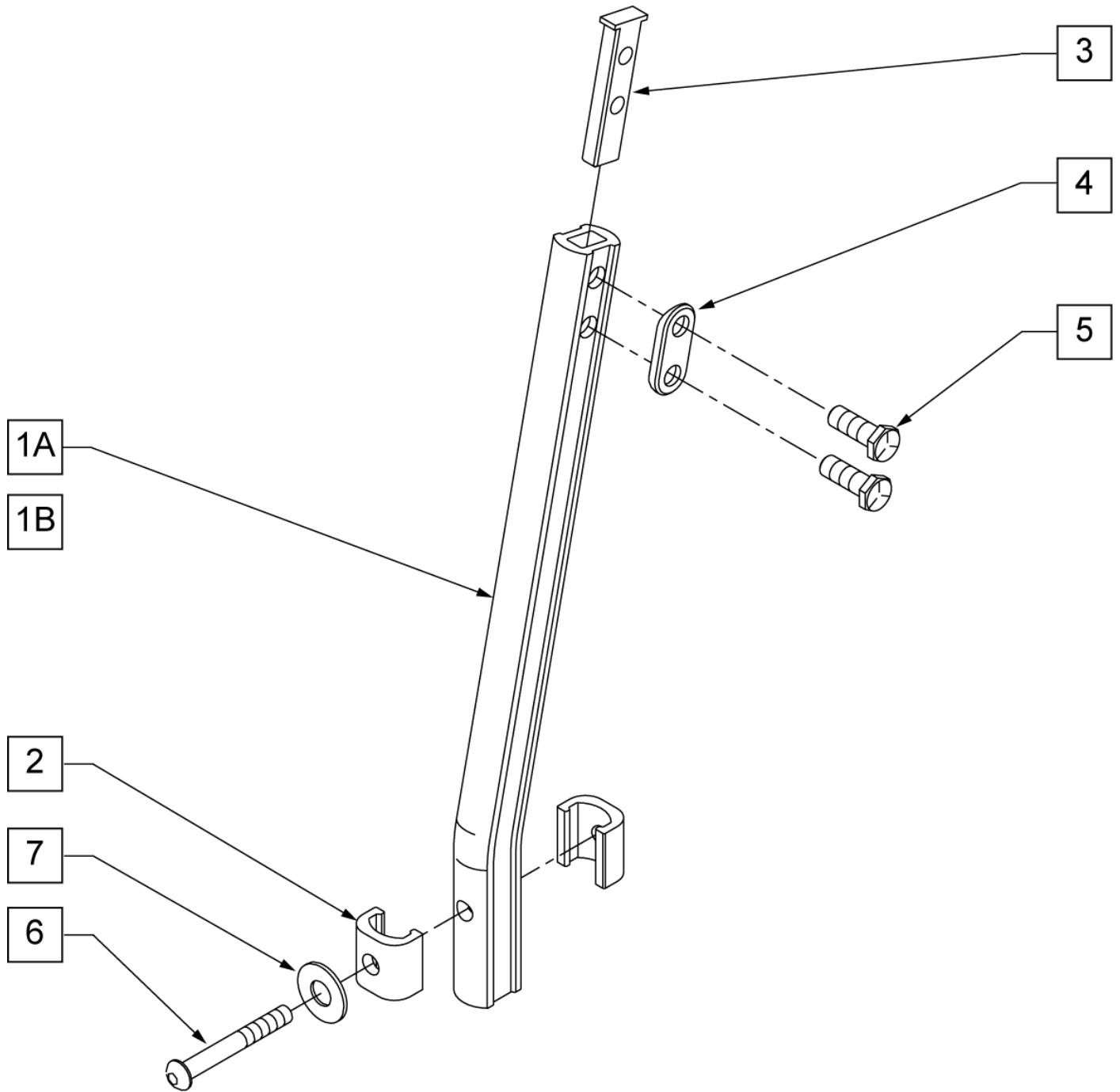
Pos.	Item Number	Description	Remarks
19	226057	10/24 x .725 BTTN HD SOC BZ	
20	202100-MJ	5/16-24 NYLOCK NUT THIN	
21	263100	5/16 AN WASHER FLAT	
22	561049	ELR RELEASE ROD COVER	
23	481123	ELR ACTUATION ARM 90 DEG KDS	
24	202100-MJ	5/16-24 NYLOCK NUT THIN	
25	561079	S/A LATCH LEVER	
26	321136	S/A SPRING L RED	
26	321137	S/A SPRING R CLEAR	
29	226138	5/16-24 x 1 1/2 BH C/S	
30	201100-QU	1/4-28 NYLOCK NUT THIN	
31	226129	1/4-28 x 1 1/4 BH C/S	
32	561002	1" INSERT PLUG .083	
33	500150	2" FOOTREST EXT TUBE	
34	923068	ELR HNGR ASSM 90D W/ PAD 2" EXT	
35	923067	ELR HNGR ASSM 90D W/ PAD	
30,31,33	881403	2" FTRST EXT TUBE W/HDWR ASSM	
27,28	881500	LATCH BLOCK ASSM R	
27,28	881501	LATCH BLOCK ASSM L	
22,23	882411	ELR 90D ACTUATION ARM ASSM	
1-4,14-21,25-28	882413	ELR PIVOT BLOCK ASSM R	
1-4,14-21,25-28	882414	ELR PIVOT BLOCK ASSM L	
1-28	641458	ELR HNGR 90D W/O PAD PNTD R	
1-28	641459	ELR HNGR 90D W/O PAD PNTD L	
1-28,30,31,33	641468	HANGER ELR 90 W/O PAD R 2" EXT	
1-28,30,31,33	641469	HANGER ELR 90 W/O PAD L 2" EXT	



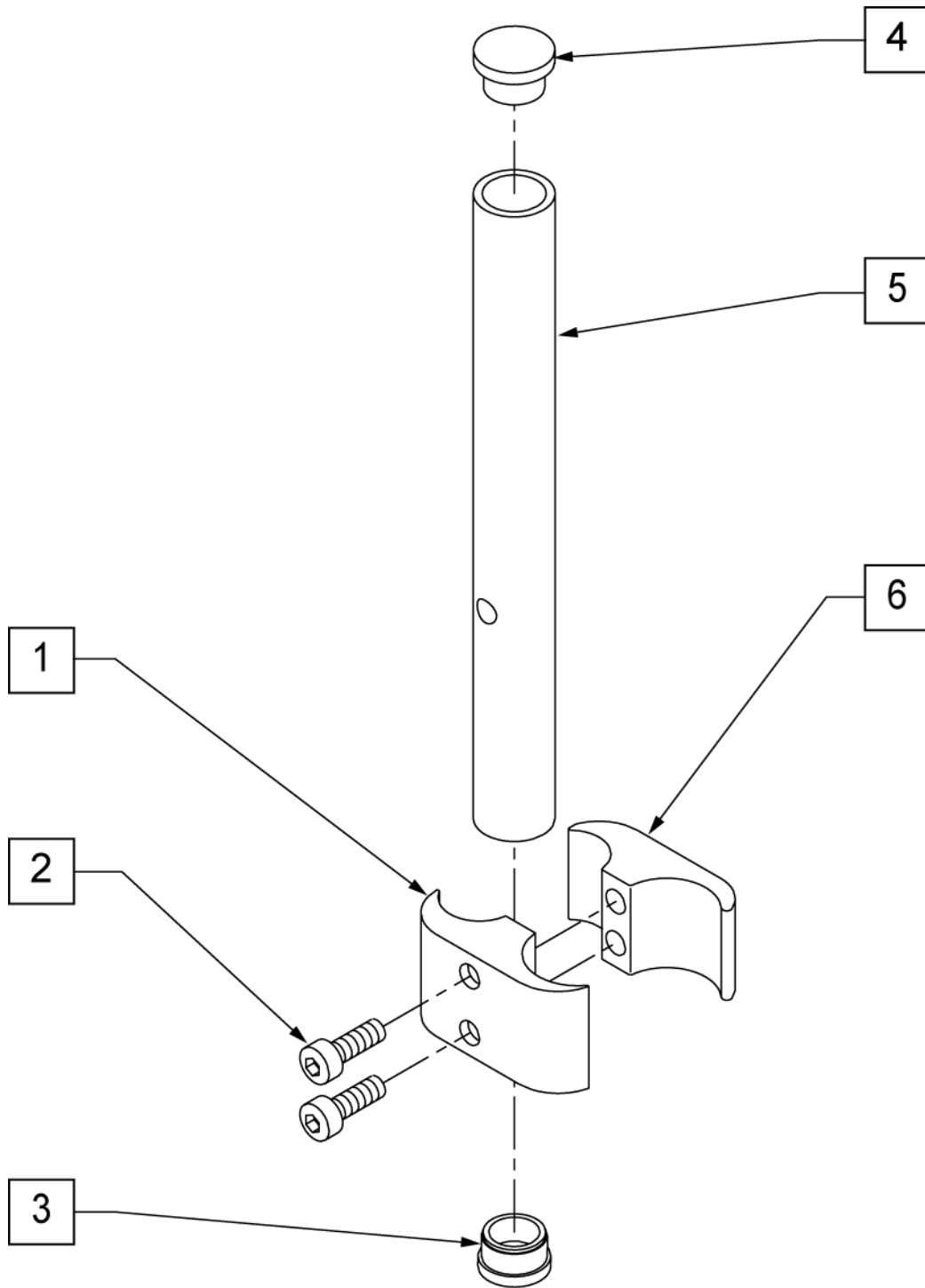
Pos.	Item Number	Description	Remarks
1	222108	5/16-18 x 1 1/4 BH C/S	
2	755014	CALF PAD TROUGH STYLE 14"/16"	
3	221096	1/4-28 x 5/8 HEX C/S	
4	561016	1" WASHER 5/16" HOLE	
5	881413	CALF PAD BRACKET ASSEMBLY	
6	201110-QU	1/4-28 NYLOCK NUT	
7	202102	5/16-18 NYLOCK NUT THIN	
1-7	881414	CALF PAD J-HOOK 14"-15" ASSEMBLY	



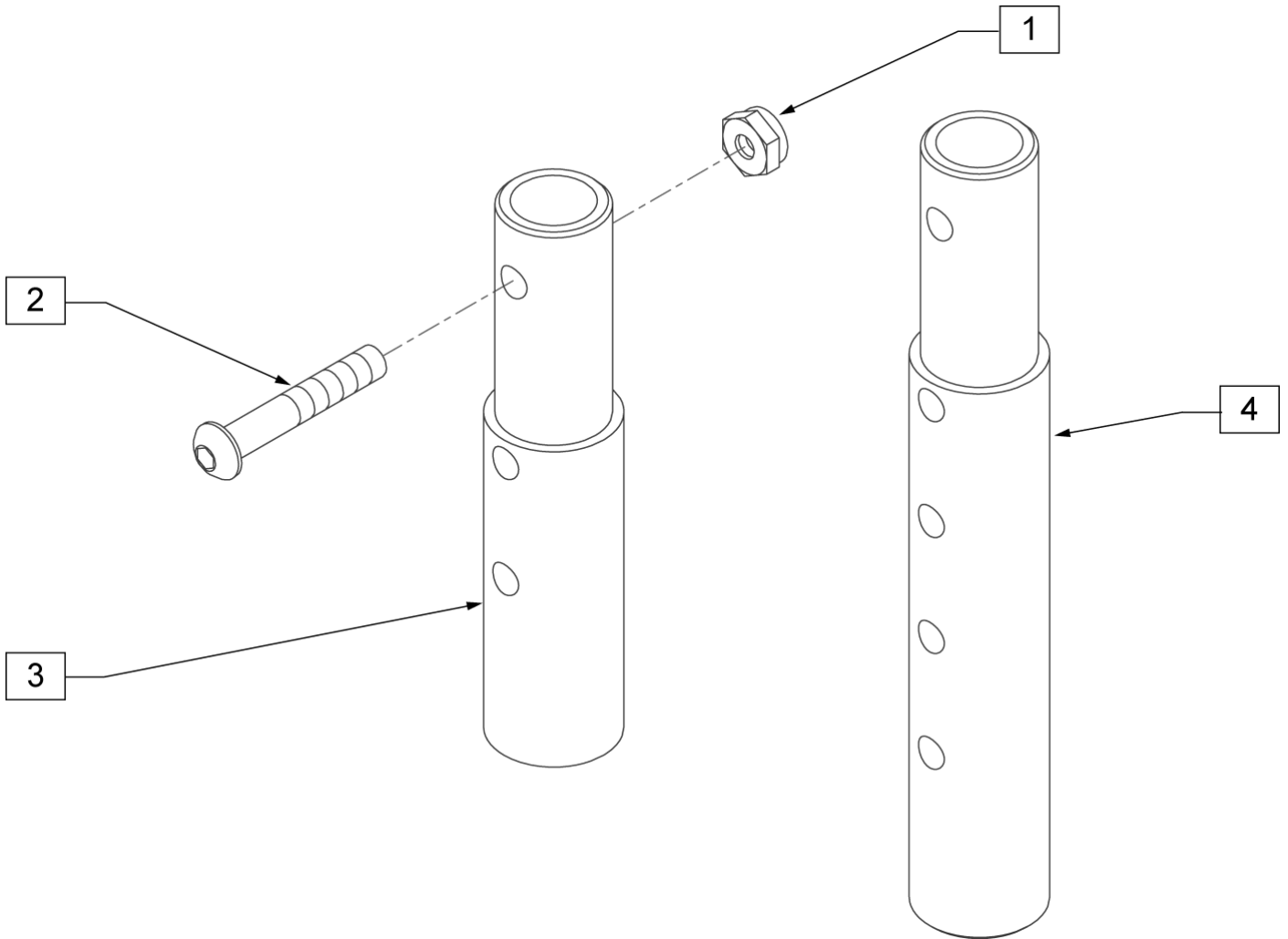
Pos.	Item Number	Description	Remarks
1	201110-QU	1/4-28 NYLOCK NUT	
2	222242	5/16-18 x 2 1/2 HEX C/S (16"-17")	
2	222255	5/16-18 x 3 1/2 HEX C/S (18"-20")	
3	221096	1/4-28 x 5/8 HEX C/S	
4	881413	CALF PAD BRACKET ASSEMBLY	
5	560199	ELR CALF HINGE SPACER	
6	560108	CALF PAD MOLDED 16"-20"	
7	202103	5/16-18 NYLOCK NUT THICK	
8	751045	CALF PAD COVER	
8	751046	CALF PAD COVER (BREEZY)	
1-4,6,7	881416	CALF MOLDED 16"-17" ASSEMBLY	
1-7	881412	CALF PAD MOLDED 18"-20" ASSEMBLY	



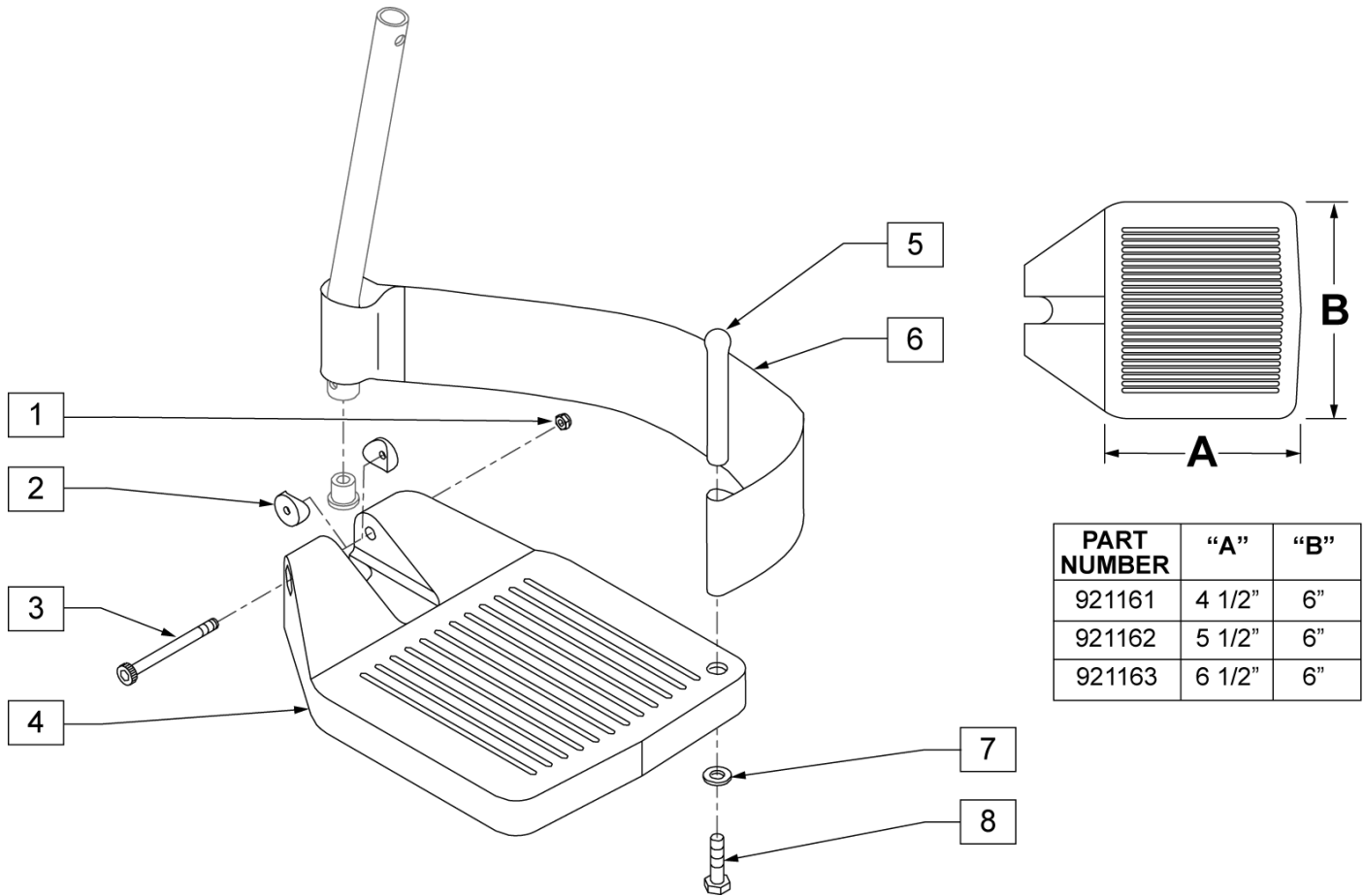
Pos.	Item Number	Description	Remarks
1	550819	EXT TBE S/A ONLY SHT	
1	550820	EXT TBE S/A ONLY MED	
1	550821	EXT TBE S/A ONLY LONG	
1	550822	EXT TBE S/A ONLY X-LNG	
2	483718	HANGER EXTENSION SADDLE	
3	500078	INSERT D2 EXT TUBE	
4	483717	HANGER SADDLE	
5	221102	1/4-28 x 3/4 HEX HEAD C/S BLK W/PTCH	
6	227140	1/4-28 x 1 3/4 BH C/S BLK ZN	
7	262120	1/4" SAE WASHER	
1-5	921759	EXT TBE S/A SHORT ASSM PCKT	
1-5	921760	EXT TBE S/A MED ASSM PCKT	
1-5	921761	EXT TBE S/A LONG ASSM PCKT	
1-5	921762	EXT TBE S/A X-LONG ASSM PCKT	
1-7	921772	EXT TBE S/A SHORT ANG ADJ PCKT	
1-7	921773	EXT TBE S/A MED ANG ADJ PCKT	
1-7	921774	EXT TBE S/A LONG ANG ADJ PCKT	
1-7	921776	EXT TBE S/A X-LONG ANG ADJ PCKT	



Pos.	Item Number	Description	Remarks
1	550257	CLAMP 1 1/4" RECESS FULL	
2	226112	1/4-28 x 1 SOC C/S BLK	
3	561000-QU	3/4" INSERT PLUG .083	
4	482016	H/M FL FOOT TUBE PLUG	
5	521100	H/M FL FOOT EXTENSION TUBE	
6	550258	CLAMP 1 1/4" THREADED	
1,2,6	880538	HIGH MOUNT FR CLAMP ASSEMBLY CLEAR	
1-6	921550	HIGH MOUNT FL FOOT CLAMPS & TUBES	PAIR



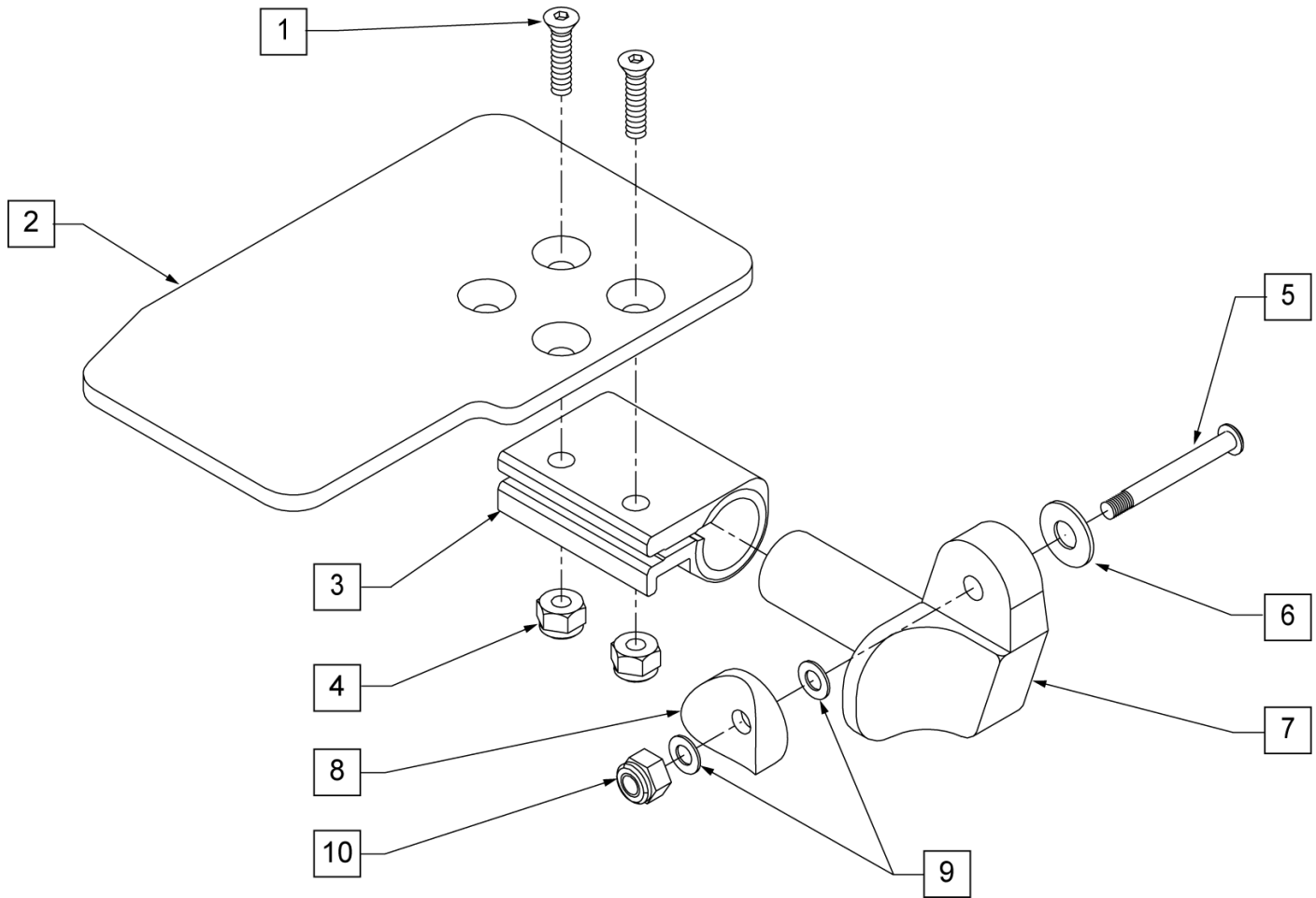
Pos.	Item Number	Description	Remarks
1	201100-QU	1/4 - 28 NYLOCK NUT THIN	
2	226129	1/4 - 28 x 1 1/4 BH C/S	
3	500150	2" FOOTREST EXTENSION TUBE	
4	483051	4" FOOTREST EXTENSION TUBE T45	
1-3	881403	2" FOOTREST EXTENSION TUBE W/ HDWR ASSM	
1, 2, 4	881404	4" FOOTREST EXTENSION TUBE W/ HDWR ASSM	



PART NUMBER	"A"	"B"
921161	4 1/2"	6"
921162	5 1/2"	6"
921163	6 1/2"	6"

Pos.	Item Number	Description	Remarks
1	201100-QU	1/4 - 28 NYLOCK NUT	
2	561003	3/4" SADDLE THIN	
3	226165	1/4 - 28 x 2 1/2 SOC C/S	
4	561200	COMPOSITE FOOTPLATE 14 - 15 (16 - 18 V)	
4	561210	COMPOSITE FOOTPLATE 16 - 17 (19 - 20 V)	
4	561220	COMPOSITE FOOTPLATE 18 - 20	
5	561040	HEEL LOOP PEG	
6	741151	HEEL LOOP 14-15 COMPOSITE	
6	741153	HEEL LOOP 18-20 COMPOSITE/14-15 ANG ADJ	
6	902270	HEEL LOOP COMPOSITE FT 14-15	
6	902271	HEEL LOOP COMPOSITE FT 16-17	
6	902272	HEEL LOOP COMPOSITE FT 18-20	
6	741154	HEEL LOOP 14-15 COMPOSITE HEMI	
6	741155	HEEL LOOP 16-17 COMPOSITE HEMI	
6	741156	HEEL LOOP 18-20 COMPOSITE HEMI	
6	902260	HEEL LOOPS HEMI COMPOSITE 14-15	PAIR
6	902261	HEEL LOOPS HEMI COMPOSITE 16-17	PAIR
6	902262	HEEL LOOPS HEMI COMPOSITE 18-20	PAIR
6	741210	HEEL LOOP 14-15 BREEZY	
6	741211	HEEL LOOP 16-17 BREEZY	
6	741212	HEEL LOOP 18-20 BREEZY	
6	902290	HEEL LOOP 14-15 BREEZY	PAIR
6	902291	HEEL LOOP 16-17 BREEZY	PAIR
6	902292	HEEL LOOP 18-20 BREEZY	PAIR

Pos.	Item Number	Description	Remarks
7	262110-QU	1/4" AN WASHER FLAT THIN	
8	221110	1/4 - 20 x 1 HEX C/S	
1, 3, 4	921180	COMPOSITE FOOTPLATE ASSM 14-15	RIGHT
1, 3, 4	921181	COMPOSITE FOOTPLATE ASSM 14-15	LEFT
1, 3, 4	921182	COMPOSITE FOOTPLATE ASSM 16-17	RIGHT
1, 3, 4	921183	COMPOSITE FOOTPLATE ASSM 16-17	LEFT
1, 3, 4	921184	COMPOSITE FOOTPLATE ASSM 18-20	RIGHT
1, 3, 4	921185	COMPOSITE FOOTPLATE ASSM 18-20	LEFT
1, 3, 4	921151	COMPOSITE FOOTPLATE ASSM 14-15/16-18V	
1, 3, 4	921152	COMPOSITE FOOTPLATE ASSM 16-17/19-20V	
1, 3, 4	921153	COMPOSITE FOOTPLATE ASSM 18-20	
1, 3, 4	921190	COMPOSITE FOOTPLATE ASSM HL LP 14-15	RIGHT
	921191	COMPOSITE FOOTPLATE ASSM HL LP 14-15	LEFT
1, 3-8	921192	COMPOSITE FOOTPLATE ASSM HL LP 16-17	RIGHT
1, 3-8	921193	COMPOSITE FOOTPLATE ASSM HL LP 16-17	LEFT
1, 3-8	921194	COMPOSITE FOOTPLATE ASSM HL LP 18-20	RIGHT
1, 3-8	921195	COMPOSITE FOOTPLATE ASSM HL LP 18-20	LEFT
1, 3-8	921161	COMPOSITE FOOTPLATE ASSM HL 14-15/16-18V	
1, 3-8	921162	COMPOSITE FOOTPLATE ASSM HL 16-17/19-20V	
1, 3-8	921163	COMPOSITE FOOTPLATE ASSM HL 18-20	
1, 3-8	921167	COMPOSITE FOOTPLATE ASSM HEMI HL LPS 14-15	
1, 3-8	921168	COMPOSITE FOOTPLATE ASSM HEMI HL LPS 16-17	
1, 3-8	921169	COMPOSITE FOOTPLATE ASSM HEMI HL LPS 18-20	
1, 3-8	921140	COMPOSITE FOOTPLATE ASSM HEMI HL LP 14-15	RIGHT
1, 3-8	921141	COMPOSITE FOOTPLATE ASSM HEMI HL LP 14-15	LEFT
1, 3-8	921142	COMPOSITE FOOTPLATE ASSM HEMI HL LP 16-17	RIGHT
1, 3-8	921143	COMPOSITE FOOTPLATE ASSM HEMI HL LP 16-17	LEFT
1, 3-8	921144	COMPOSITE FOOTPLATE ASSM HEMI HL LP 18-20	RIGHT
1, 3-8	921145	COMPOSITE FOOTPLATE ASSM HEMI HL LP 18-20	LEFT



Pos.	Item Number	Description	Remarks	Pos.	Item Number	Description	Remarks
1	226099	1/4-28 x 7/8 FH C/S		9	262110-QU	1/4 AN WASHER FLAT THIN	
2	500635	KIDS ANGL ADJ F/PLT 10	RIGHT	10	201110-QU	1/4-28 NYLOCK NUT	
2	500636	KIDS ANGL ADJ F/PLT 10	LEFT	1-10	828821	KIDS ANG ADJ F/PLT ASSM 10	RIGHT
2	500637	KIDS ANGL ADJ F/PLT 11	RIGHT	1-10	828822	KIDS ANG ADJ F/PLT ASSM 10	LEFT
2	500638	KIDS ANGL ADJ F/PLT 11	LEFT	1-10	828823	KIDS ANG ADJ F/PLT ASSM 11	RIGHT
2	500639	KIDS ANGL ADJ F/PLT 12	RIGHT	1-10	828824	KIDS ANG ADJ F/PLT ASSM 11	LEFT
2	500640	KIDS ANGL ADJ F/PLT 12	LEFT	1-10	828825	KIDS ANG ADJ F/PLT ASSM 12	RIGHT
2	500641	KIDS ANGL ADJ F/PLT 13	RIGHT	1-10	828826	KIDS ANG ADJ F/PLT ASSM 12	LEFT
2	500642	KIDS ANGL ADJ F/PLT 13	LEFT	1-10	828827	KIDS ANG ADJ F/PLT ASSM 13	RIGHT
2	500643	KIDS ANGL ADJ F/PLT 14	RIGHT	1-10	828828	KIDS ANG ADJ F/PLT ASSM 13	LEFT
2	500644	KIDS ANGL ADJ F/PLT 14	LEFT	1-10	828829	KIDS ANG ADJ F/PLT ASSM 14	RIGHT
2	500645	KIDS ANGL ADJ F/PLT 15	RIGHT	1-10	828830	KIDS ANG ADJ F/PLT ASSM 14	LEFT
2	500646	KIDS ANGL ADJ F/PLT 15	LEFT	1-10	828831	KIDS ANG ADJ F/PLT ASSM 15	RIGHT
2	500647	KIDS ANGL ADJ F/PLT 16	RIGHT	1-10	828832	KIDS ANG ADJ F/PLT ASSM 15	LEFT
2	500648	KIDS ANGL ADJ F/PLT 16	LEFT	1-10	828833	KIDS ANG ADJ F/PLT ASSM 16	RIGHT
3	550350	3/4 CLAMP ADJ FOOTPLATE		1-10	828834	KIDS ANG ADJ F/PLT ASSM 16	LEFT
4	201100-QU	1/4-28 NYLOCK NUT THIN		1-10	921226	KIDS ANG ADJ F/PLT ASSM 10	PAIR
5	226150	1/4-28 x 2 BH C/S		1-10	921227	KIDS ANG ADJ F/PLT ASSM 11	PAIR
6	262120	1/4 SAE WASHER		1-10	921228	KIDS ANG ADJ F/PLT ASSM 12	PAIR
7	541000	FTRST MOUNTING BRKT 1 RAD	RIGHT	1-10	921229	KIDS ANG ADJ F/PLT ASSM 13	PAIR
7	541001	FTRST MOUNTING BRKT 1 RAD	LEFT	1-10	921230	KIDS ANG ADJ F/PLT ASSM 14	PAIR
8	561004	1 SADDLE 1/4 HOLE		1-10	921231	KIDS ANG ADJ F/PLT ASSM 15	PAIR

Pos.	Item Number	Description	Remarks
1-10	921232	KIDS ANG ADJ F/PLT ASSM 16	PAIR

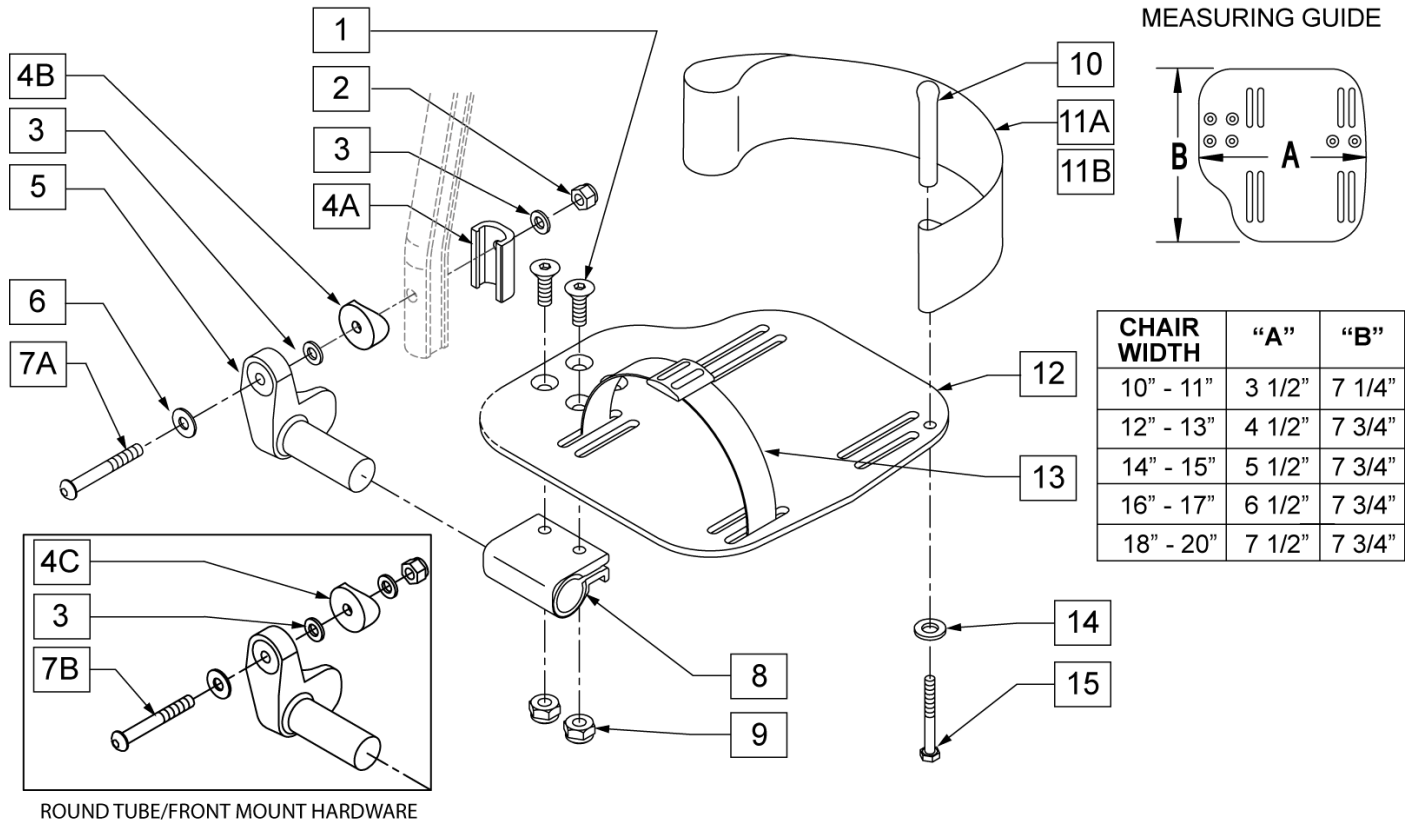
[01/2008]

NOTE: FOR HIGH-MOUNT ADULT ANGLE-ADJUSTABLE FOOTPLATE, SEE "HIGH-MOUNT EXTENSION TUBE" PAGE.

* ORDER ITEM 4 FOR CHAIRS PRIOR TO 8/13/01.

** ONLY 1 WASHER PRIOR TO 8/13/01.

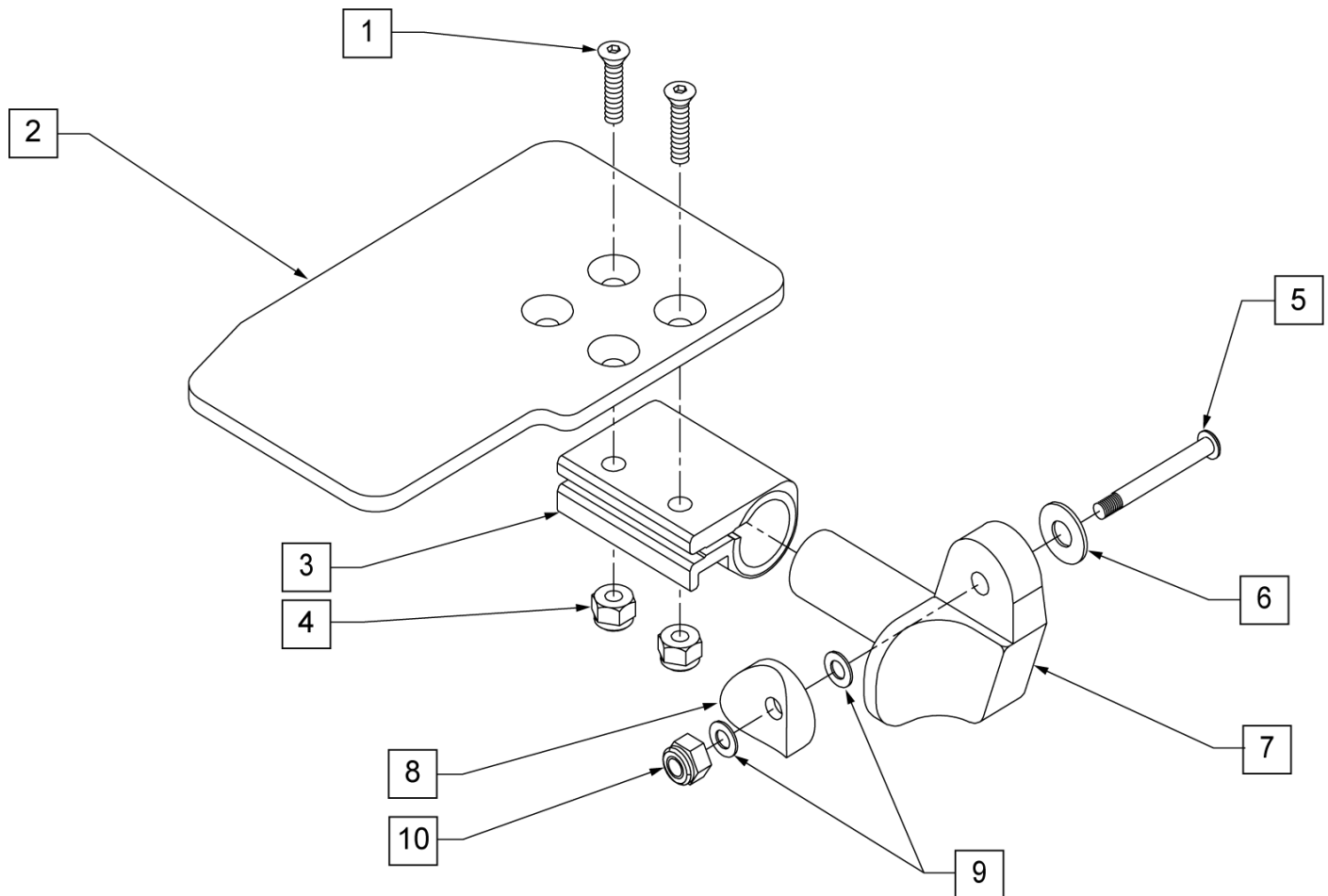
*** ORDER PART 226167 PRIOR TO 8/13/01.



Pos.	Item Number	Description	Remarks
1	226099	1/4-28 x 7/8 FH C/S	
2	201120	1/4-28 AUTOMATION NUT	
3	262110-QU	1/4 AN WASHER FLAT THIN	
4A	483720	HANGER EXTENSION SADDLE LONG	
4C	561004	1" SADDLE 1/4" HOLE	
4B	561055	3/4" SADDLE 1? OD	
5	541002	FTRST MOUNTING BRKT-3/8 RAD R	RIGHT
5	541003	FTRST MOUNTING BRKT-3/8 RAD L	LEFT
6	262120	1/4 SAE WASHER	
7A	227140	1/4-28 x 1 3/4 BH C/S BLK ZN	D2 EXTENSION TUBES
7B	226167	1/4-28 x 1.625 BH C/S BLK	ROUND EXTENSION TUBES
8	550350	3/4" CLMP ADJ FT PLT	
9	201100-QU	1/4-28 NYLOCK NUT THIN	
10	561040	HEEL LOOP PEG	
11A	741153	H/L 18-20 CMPST/14-15 ANG ADJ	
11B	741253	HEEL LOOP ADLT ADJ F/PLT 18-20	
12	500660	ADLT ANGL ADJ F/PLT 14/15	RIGHT

Pos.	Item Number	Description	Remarks
12	500661	ADLT ANGL ADJ F/PLT 14/15	LEFT
12	500662	ADLT ANGL ADJ F/PLT 16/17	RIGHT
12	500663	ADLT ANGL ADJ F/PLT 16/17	LEFT
12	500664	ADLT ANGL ADJ F/PLT 18-20	RIGHT
12	500665	ADLT ANGL ADJ F/PLT 18-20	LEFT
13	740260	TOE/ANKLE STRAP ADJ ADLT F/PLT	
14	262110-QU	1/4 AN WASHER FLAT THIN	
15	221110	1/4-20 x 1 HEX C/S	
16	262120	1/4" SAE WASHER	
1-3,5,6,8,9,12	820460	FP ADLT ADJ 14/15	RIGHT
1-3,5,6,8,9,12	820462	FP ADLT ADJ 14/15	LEFT
1-3,5,6,8,9,12	820464	FP ADLT ADJ 16/17	RIGHT
1-3,5,6,8,9,12	820466	FP ADLT ADJ 16/17	LEFT
1-3,5,6,8,9,12	820468	FP ADLT ADJ 18-20	RIGHT
1-3,5,6,8,9,12	820470	FP ADLT ADJ 18-20	LEFT
1-3,5,6,8,9,12	921320	FP ADLT ADJ 14/15	
1-3,5,6,8,9,12	921322	FP ADLT ADJ 16/17	
1-3,5,6,8,9,12	921324	FP ADLT ADJ 18-20	
1-3,5,6,8-10,11A, 12,14,15	820461	FP ADLT ADJ 14/15 HL	RIGHT
1-3,5,6,8-10,11A, 12,14,15	820463	FP ADLT ADJ 14/15 HL	LEFT
1-3,5,6,8-10,11A, 12,14,15	820465	FP ADLT ADJ 16/17 HL	RIGHT
1-3,5,6,8-10,11A, 12,14,15	820467	FP ADLT ADJ 16/17 HL	LEFT
1-3,5,6,8-10,11B, 12,14,15	820469	FP ADLT ADJ 18-20 HL	RIGHT
1-3,5,6,8-10,11B, 12,14,15	820471	FP ADLT ADJ 18-20 HL	LEFT
1-3,5,6,8-10,11A, 12,14,15	921321	FP ADLT ADJ 14/15 HL	
1-3,5,6,8-10,11A, 12,14,15	921323	FP ADLT ADJ 16/17 HL	
1-3,5,6,8-10,11B, 12,14,15	921325	FP ADLT ADJ 18-20 HL	
1-3B,6,7A,9,14-16	101533	ADLT ANG ADJ FP D2 HDWR KIT	
1-3B,6,7B,9,14-16	101534	ADLT ANG ADJ FP RND HDWR KIT	

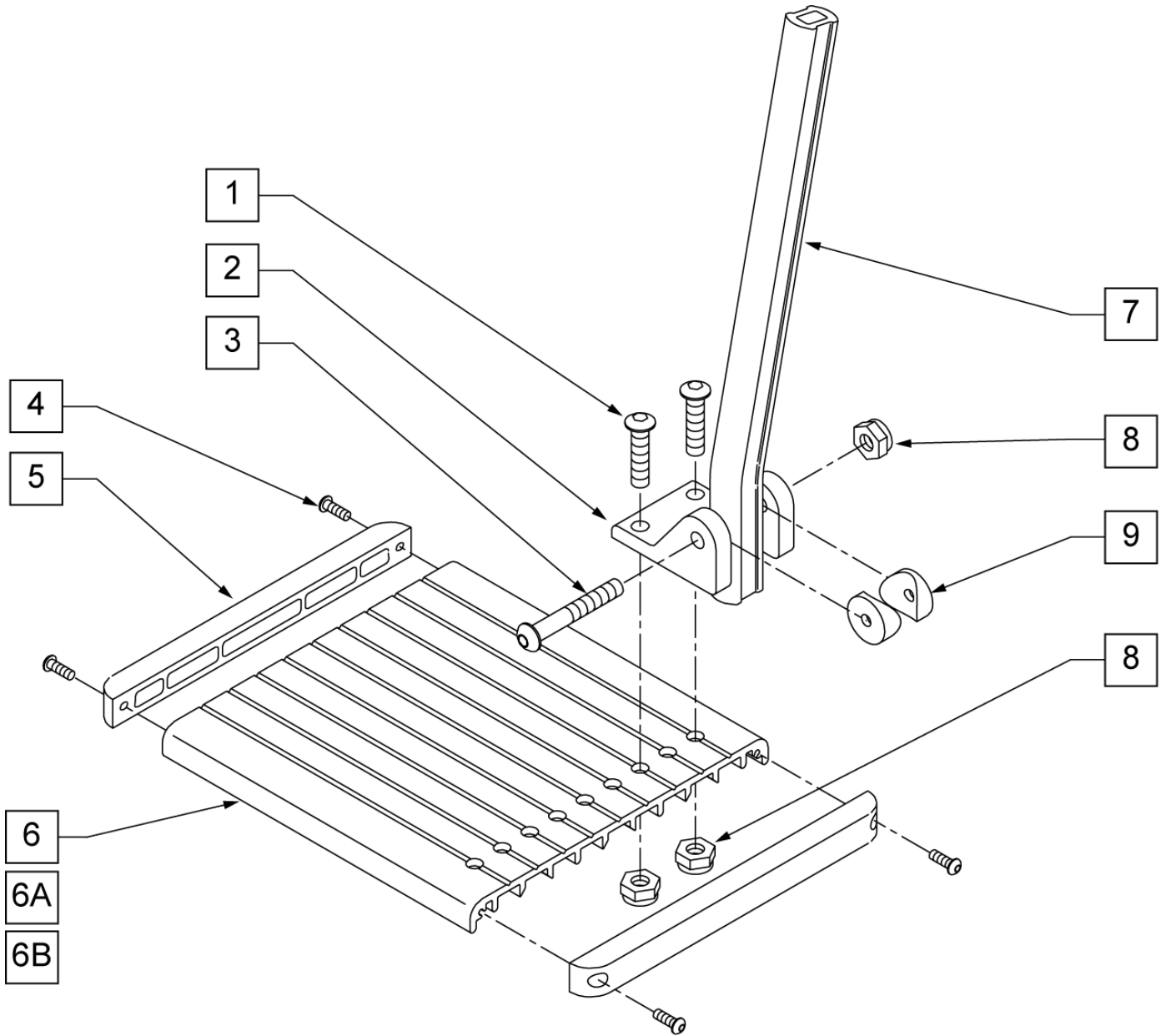
NOTE: * ORDER ITEM 8 PRIOR TO 8/13/01.
** ORDER ITEM 5 PART 226167 PRIOR TO 8/13/01.



Pos.	Item Number	Description	Remarks
1	226099	1/4-28 x 7/8 FH C/S	
2	500635	KIDS ANGLE ADJ FOOTPLATE 10" R	
2	500636	KIDS ANGLE ADJ FOOTPLATE 10" L	
2	500637	KIDS ANGLE ADJ FOOTPLATE 11" R	
2	500638	KIDS ANGLE ADJ FOOTPLATE 11" L	
2	500639	KIDS ANGLE ADJ FOOTPLATE 12" R	
2	500640	KIDS ANGLE ADJ FOOTPLATE 12" L	
2	500641	KIDS ANGLE ADJ FOOTPLATE 13" R	
2	500642	KIDS ANGLE ADJ FOOTPLATE 13" L	
2	500643	KIDS ANGLE ADJ FOOTPLATE 14" R	
2	500644	KIDS ANGLE ADJ FOOTPLATE 14" L	
2	500645	KIDS ANGLE ADJ FOOTPLATE 15" R	
2	500646	KIDS ANGLE ADJ FOOTPLATE 15" L	
2	500647	KIDS ANGLE ADJ FOOTPLATE 16" R	
2	500648	KIDS ANGLE ADJ FOOTPLATE 16" L	
3	550350	3/4" CLAMP ADJ FOOTPLATE	
4	201100-QU	1/4-28 NYLOCK NUT THIN	
5**	227140	1/4-28 X 1.85 BH C/S BLK ZN	

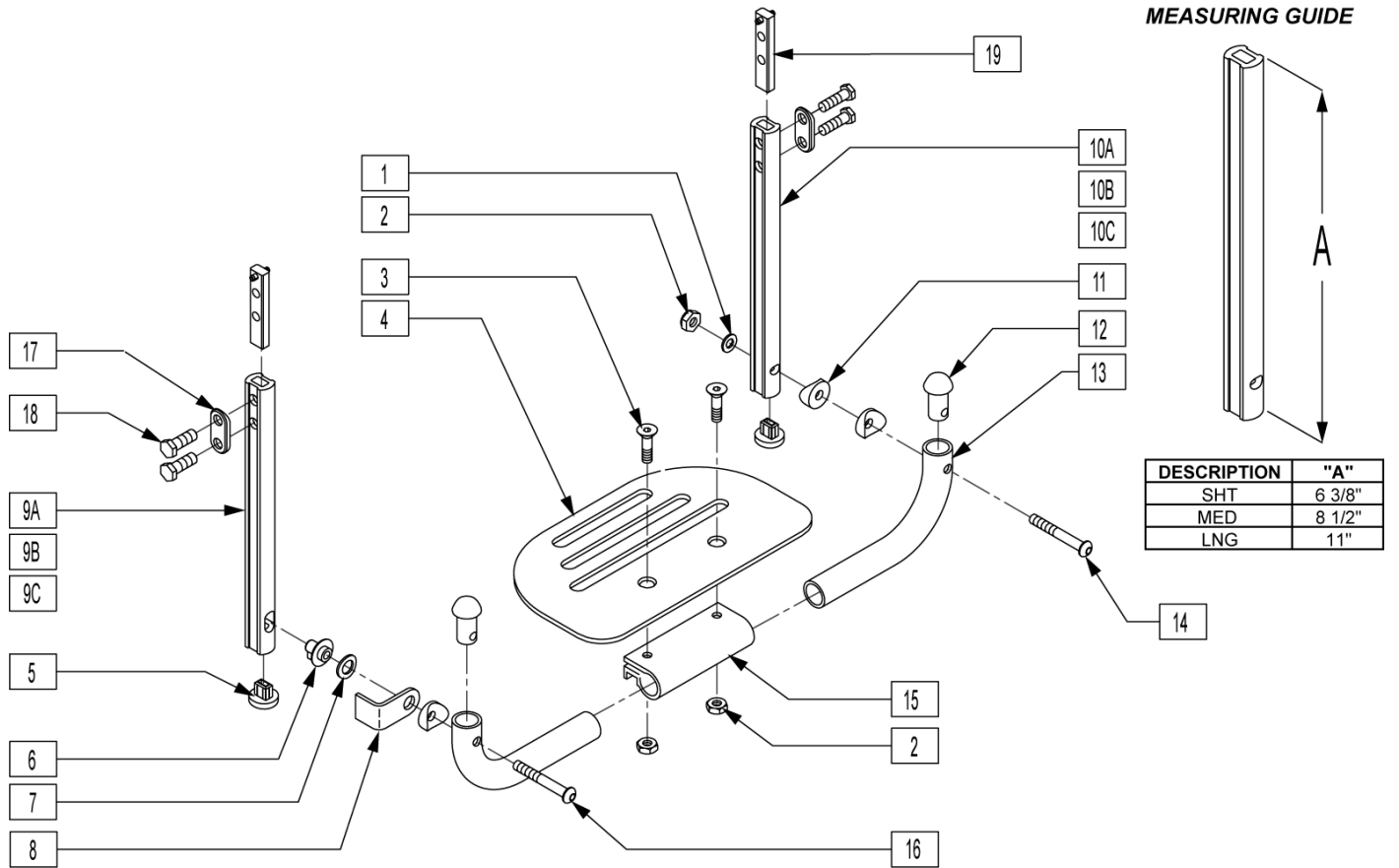
Pos.	Item Number	Description	Remarks
6	262120	1/4 SAE WASHER	
7	541002	FOOTREST MOUNTING BRACKET - 3/8" RADIUS	RIGHT
7	541003	FOOTREST MOUNTING BRACKET - 3/8" RADIUS	LEFT
8*	561055	3/4" SADDLE 1" OD	
9	262110-QU	1/4 AN WASHER FLAT THIN	
10	201120	1/4-28 AUTOMATION NUT	
1-7,9,10	828850	KIDS ANGLE ADJ FOOTPLATE EXT MNT 10" R	RIGHT
1-7,9,10	828851	KIDS ANGLE ADJ FOOTPLATE EXT MNT 10" L	LEFT
1-7,9,10	828852	KIDS ANGLE ADJ FOOTPLATE EXT MNT 11" R	RIGHT
1-7,9,10	828853	KIDS ANGLE ADJ FOOTPLATE EXT MNT 11" L	LEFT
1-7,9,10	828854	KIDS ANGLE ADJ FOOTPLATE EXT MNT 12" R	RIGHT
1-7,9,10	828855	KIDS ANGLE ADJ FOOTPLATE EXT MNT 12" L	LEFT
1-7,9,10	828856	KIDS ANGLE ADJ FOOTPLATE EXT MNT 13" R	RIGHT
1-7,9,10	828857	KIDS ANGLE ADJ FOOTPLATE EXT MNT 13" L	LEFT
1-7,9,10	828858	KIDS ANGLE ADJ FOOTPLATE EXT MNT 14" R	RIGHT
1-7,9,10	828859	KIDS ANGLE ADJ FOOTPLATE EXT MNT 14" L	LEFT
1-7,9,10	828860	KIDS ANGLE ADJ FOOTPLATE EXT MNT 15" R	RIGHT
1-7,9,10	828861	KIDS ANGLE ADJ FOOTPLATE EXT MNT 15" L	LEFT
1-7,9,10	828862	KIDS ANGLE ADJ FOOTPLATE EXT MNT 16" R	RIGHT
1-7,9,10	828863	KIDS ANGLE ADJ FOOTPLATE EXT MNT 16" L	LEFT
1-7,9,10	921280	KIDS ANGLE ADJ FOOTPLATE EXT MNT 10"	PAIR
1-7,9,10	921281	KIDS ANGLE ADJ FOOTPLATE EXT MNT 11"	PAIR
1-7,9,10	921282	KIDS ANGLE ADJ FOOTPLATE EXT MNT 12"	PAIR
1-7,9,10	921283	KIDS ANGLE ADJ FOOTPLATE EXT MNT 13"	PAIR
1-7,9,10	921284	KIDS ANGLE ADJ FOOTPLATE EXT MNT 14"	PAIR
1-7,9,10	921285	KIDS ANGLE ADJ FOOTPLATE EXT MNT 15"	PAIR
1-7,9,10	921286	KIDS ANGLE ADJ FOOTPLATE EXT MNT 16"	PAIR

NOTE: Right Side Shown



Pos.	Item Number	Description	Remarks
1	226090	1/4-28 x 5/8 BH C/S	
2	550739	FOOTPLATE MOUNTING BRACKET	
3	226148	1/4-28 x 1.85 BH C/S	
4	281043	#4 x 5/8 PAN PHIL S/TAP	
5	560101	END CAPS FOOTREST	
6A	550748	FOOTPLATE ELR 14 -15"	
6B	550749	FOOTPLATE ELR 16 -17"	
6C	550750	FOOTPLATE ELR 18 -20"	
7	550764	S/A HANGER EXT D2 SHORT BLACK	
7	550765	S/A HANGER EXT D2 MED BLACK	
8	201100-QU	1/4-28 NYLOCK NUT THIN	
9	561003	3/4" SADDLE THIN	
4-6	882337	ELR FOOTPLATE ASSEMBLY 14 -15"	
4,5,6B	882338	ELR FOOTPLATE ASSEMBLY 16 -17"	
4,5,6C	882339	ELR FOOTPLATE ASSEMBLY 18 -20"	
1-6A,8,9	921400	ELR FOOTPLATE KIT 14 -15"	
1-5,6B,8,9	921401	ELR FOOTPLATE KIT 16 -17"	
1-5,6C,8,9	921402	ELR FOOTPLATE KIT 18 -20"	

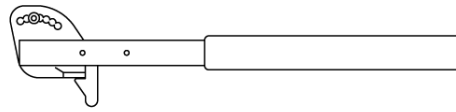
NOTE: * FOR ORDERING INFORMATION, PLEASE SEE "PLATFORM FLIP-UP FOOTREST REFERENCE GUIDE" ATTACHED.



Pos.	Item Number	Description	Remarks
1	262110-QU	1/4 AN WASHER FLAT THIN	
2	201120	1/4-28 AUTOMATION NUT	
3	226099	1/4-28 x 7/8 FH C/S	
4	650	PLATFORM F/PLT 6" x 5 1/2"	
4	500651	PLATFORM F/PLT 8 x 5 1/2"	
4	500652	PLATFORM F/PLT 10" x 5 1/2"	
4	500653	PLATFORM F/PLT 12" x 5 1/2"	
4	500654	PLATFORM F/PLT 14" x 5 1/2"	
5	560752	PLUG FOOTREST EXT TUBE Q2 ROUND	
6	540410	F/UP FOOTREST KEY STUD D2	
7	262137	3/8 WASHER CURVED	
8	505078	FOOTREST RETAINING BRACKET	
9C	550830	EXT TUBE F/UP KEY ONLY LONG	
9A	550828	EXT TUBE F/UP KEY ONLY SHORT	
9B	550829	EXT TUBE F/UP KEY ONLY MED	
10C	550827	EXT TUBE F/UP SLT ONLY LONG	
10A	550825	EXT TUBE F/UP SLT ONLY SHORT	
10B	550826	EXT TUBE F/UP SLT ONLY MED	
11	561003	3/4" SADDLE THIN	
12	561034	SHORT DOME PLUG	
13	522150	PLTFRM F/UP F/PLT TB 20IN BLA	

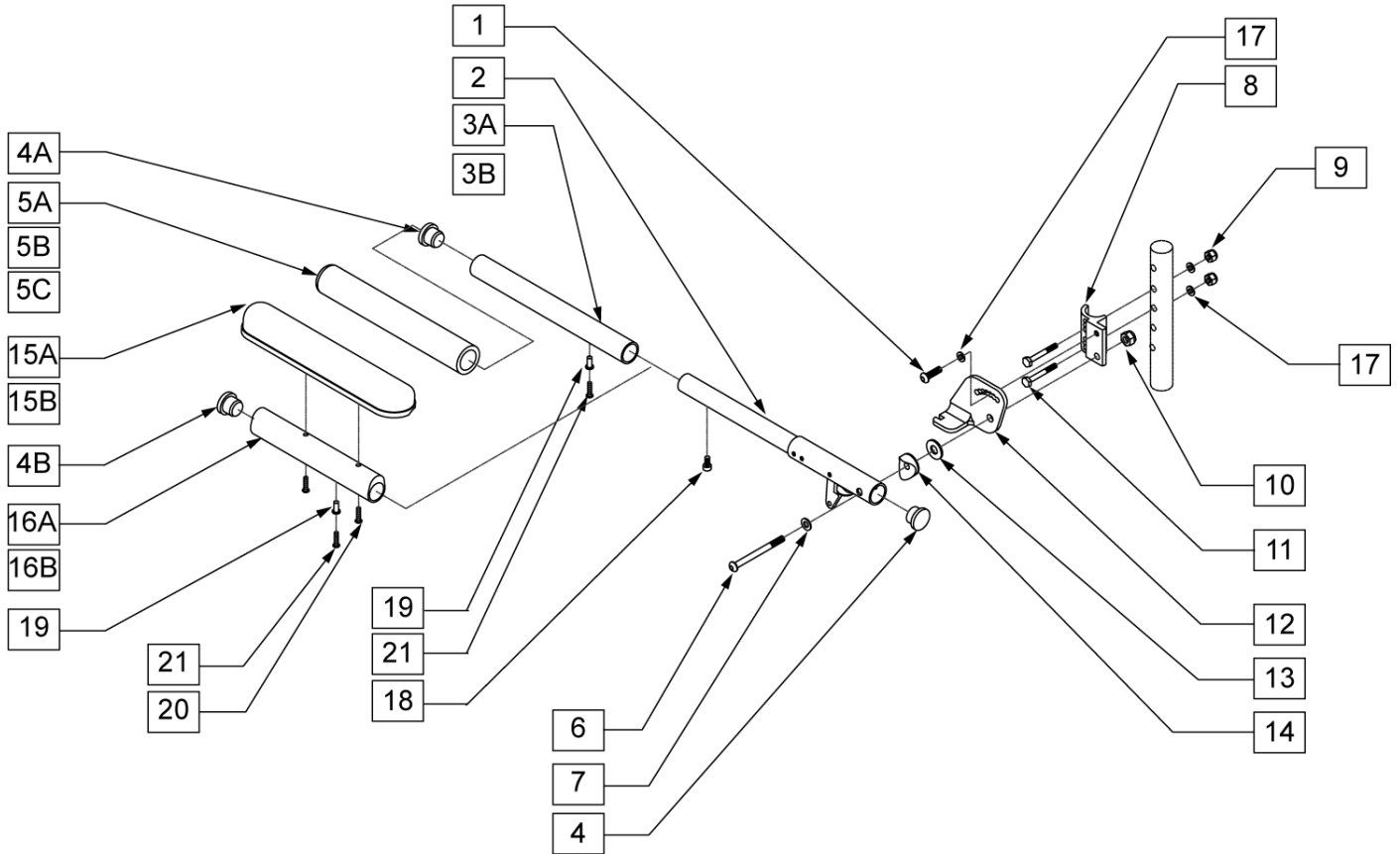
Pos.	Item Number	Description	Remarks
13	522151	PLTFRM F/UP F/PLT TB 11IN	
13	522152	PLTFRM F/UP F/PLT TB 12IN	
13	522153	PLTFRM F/UP F/PLT TB 13IN	
13	522154	PLTFRM F/UP F/PLT TB 14IN	
13	522155	PLTFRM F/UP F/PLT TB 15IN	
13	522156	PLTFRM F/UP F/PLT TB 16IN	
13	522157	PLTFRM F/UP F/PLT TB 17IN	
13	522158	PLTFRM F/UP F/PLT TB 18IN	
13	522159	PLTFRM F/UP F/PLT TB 19IN	
13	522160	PLTFRM F/UP F/PLT TB 10	
13	522161	PLTFRM F/UP F/PLT TUBE 21IN B	
13	522162	PLTFRM F/UP F/PLT TUBE 22IN B	
14	226150	1/4-28 x 2 BH C/S	
15	550351	PLATFORM FOOTPLATE CLAMP	
16	226131	1/4-28 x 1 1/4 BH C/S SHLDR	
17	483717	HANGER SADDLE	
18	221102	1/4-28 x 3/4 HEX C/S	
19	500078	INSERT D2 EXT TUBE	
5,10A, 17-19	921742	EXT TBE F/UP SLT SHT ASSM PCKT	
5,10B, 17-19	921743	EXT TBE F/UP SLT MED ASSM PCKT	
5,10C, 17-19	921744	EXT TBE F/UP SLT LNG ASSM PCKT	
5,9A, 17-19	921745	EXT TBE F/UP KEY SHT ASSM PCKT	
5,9B, 17-19	921746	EXT TBE F/UP KEY MED ASSM PCKT	
5,9C, 17-19	921747	EXT TBE F/UP KEY LNG ASSM PCKT	
5,9A,10A, 17-19	921269	S/A EXT TUBE D2 SHT PLTFRM BLK	
5,9B,10B, 17-19	921267	S/A EXT TUBE D2 MED PLTFRM BLK	
5,9C,10C, 17-19	921268	S/A EXT TUBE D2 LNG PLTFRM BLK	
1-4,6-8, 11-16	900304	PLATFM F/P F/PLT BLK 10" ASSM D2	
1-4,6-8, 11-16	900305	PLATFM F/P F/PLT BLK 11" ASSM D2	
1-4,6-8, 11-16	900306	PLATFM F/P F/PLT BLK 12" ASSM D2	
1-4,6-8, 11-16	900307	PLATFM F/P F/PLT BLK 13" ASSM D2	
1-4,6-8, 11-16	900308	PLATFM F/P F/PLT BLK 14" ASSM D2	
1-4,6-8, 11-16	900309	PLATFM F/P F/PLT BLK 15" ASSM D2	
1-4,6-8, 11-16	900310	PLATFM F/P F/PLT BLK 16" ASSM D2	
1-4,6-8, 11-16	900311	PLATFM F/P F/PLT BLK 17" ASSM D2	
1-4,6-8, 11-16	900312	PLATFM F/P F/PLT BLK 18" ASSM D2	
1-4,6-8, 11-16	900313	PLATFM F/P F/PLT BLK 19" ASSM D2	
1-4,6-8, 11-16	900314	PLATFM F/P F/PLT BLK 20" ASSM D2	
1-4,6-8, 11-16	900315	PLATFM F/P F/PLT BLK 21" ASSM D2	
1-4,6-8, 11-16	900316	PLATFM F/P F/PLT BLK 22" ASSM D2	

NOTE: FOR ARMRESTS PRIOR TO 7/22/96 USE RETRO FIT KIT TO REPLACE ADJUSTABLE FLIP-UP ARM CLAMP.



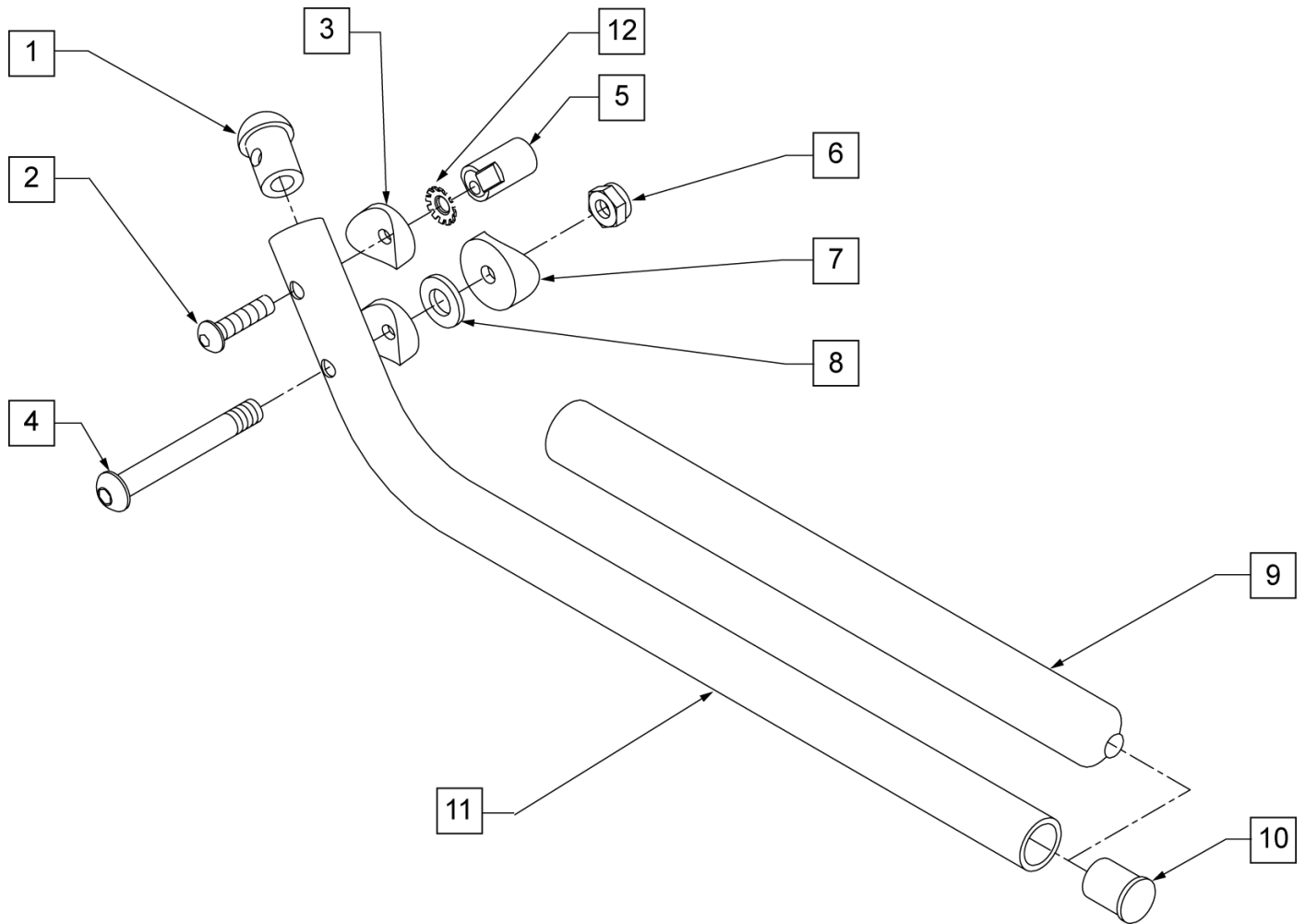
NOTE: FOAM PAD SHOWN

ARMREST	"A"
SHORT FOAM	10"-14"
LONG FOAM	12"-16"
DESK PAD	10"-14"
FULL PAD	12"-16"



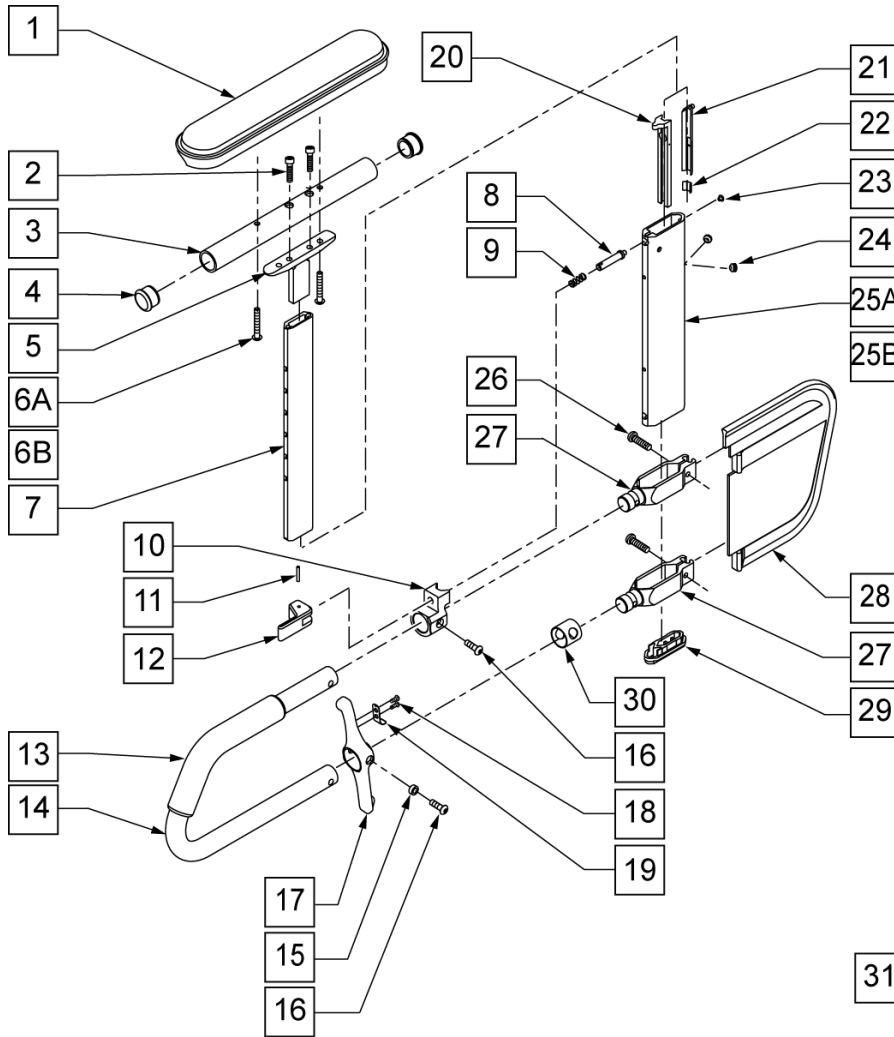
Pos.	Item Number	Description	Remarks
1	221060	1/4-28 x 1/2 BH C/S	
2	880305	ADJUSTABLE FLIP-BACK TUBE W/LATCH	
3A	520496	GRW ADJUSTABLE LOCKING ARM SLEEVE 10 - 14	
3B	520497	GRW ADJUSTABLE LOCKING ARM SLEEVE 12 - 16	
4A	561002	1" INSERT PLUG .083	
4B	561062	1" INSERT PLUG .065	
5A	560299	7 x .940 x .20 FOAM GRIP	
5B	560300	9 x .940 x .20 FOAM GRIP	
5C	560640	9 x .93 x .155 FOAM GRIP"	
6	226198	5/16 - 18 x 2 BH C/S SHT THREAD	
7	263110-QU	5/16 WASHER FLAT THIN	
8	550168	ADJUSTABLE LOCK FLIP-UP ARM MOUNT	RIGHT
8	550169	ADJUSTABLE LOCK FLIP-UP ARM MOUNT	LEFT
9	201100-QU	1/4 - 28 NYLOCK NUT THIN	
10	202102	5/16 - 18 NYLOCK NUT THIN	

Pos.	Item Number	Description	Remarks
11	221133	1/4 - 28 x 1 1/2 G8 HEX C/S	
12	550474	ADJUSTABLE FLIP-BACK ARM BRACKET	RIGHT
12	550475	ADJUSTABLE FLIP-BACK ARM BRACKET	LEFT
13	561016	1" WASHER 5/16 HOLE	
14	561006	1" SADDLE 5/16 HOLE	
15A	561024	ARMREST PAD 10" DESK	
15B	561031	ARMREST PAD 14" FULL	
16A	551390	ADJUSTABLE LOCKING FLIP-UP ADAPTER 10 - 14	
16B	551392	ADJUSTABLE LOCKING FLIP-UP ADAPTER 12 - 16	
17	262100-QU	1/4 AN WASHER FLAT	
18	227000	8 - 32 x 3/8 BH C/S BLK	
20	226020-QU	10 - 32 x 5/8 BH C/S BLK	
21	225110	10 - 32 x 3/8 SET SCREW	
3B, 4, 5C, 19-21	882074	FOAM PAD LONG ADJUSTABLE LENGTH	
3-5, 19-21	882075	FOAM PAD SHORT ADJUSTABLE LENGTH	
4, 15B, 16B, 19-21	882070	FULL PAD ADJUSTABLE LENGTH ASSM	RIGHT
4, 15B, 16B, 19-21	882071	FULL PAD ADJUSTABLE LENGTH ASSM	LEFT
4B, 15, 16, 19-21	882072	DESK PAD ADJUSTABLE LENGTH ASSM	RIGHT
4B, 15, 16, 19-21	882073	DESK PAD ADJUSTABLE LENGTH ASSM	LEFT
1-3B, 4, 5C, 6-14, 17-21	900454	ADJUSTABLE LENGTH LOCKING FLIP-UP FOAM LONG	PAIR
1-3B, 4, 5C, 6-14, 17, 18	881294	ADJUSTABLE LENGTH LOCKING FLIP-UP FOAM LONG	RIGHT
1-3B, 4, 5C, 6-14, 17, 18	881295	ADJUSTABLE LENGTH LOCKING FLIP-UP FOAM LONG	LEFT
1-14, 17-21	900455	ADJUSTABLE LENGTH LOCKING FLIP-UP FOAM SHORT	PAIR
1-14, 17-21	881296	ADJUSTABLE LENGTH LOCKING FLIP-UP FOAM SHORT	RIGHT
1-14, 17-21	881297	ADJUSTABLE LENGTH LOCKING FLIP-UP FOAM SHORT	LEFT
1, 2, 4, 6-14, 15B, 16B, 17-21	900452	ADJUSTABLE LENGTH LOCKING FLIP-UP ASSM FULL	PAIR
1, 2, 4, 6-14, 15B, 16B, 17-21	881290	ADJUSTABLE LENGTH LOCKING FLIP-UP FULL PAD	RIGHT
1, 2, 4, 6-14, 15B, 16B, 17-21	881291	ADJUSTABLE LENGTH LOCKING FLIP-UP FULL PAD	LEFT
1, 2, 4, 6-14, 17-21	900453	ADJUSTABLE LENGTH LOCKING FLIP-UP ASSM DESK	PAIR
1, 2, 4, 6-21	881292	ADJUSTABLE LENGTH LOCKING FLIP-UP DESK PAD	RIGHT
1, 2, 4, 6-21	881293	ADJUSTABLE LENGTH LOCKING FLIP-UP DESK PAD	LEFT

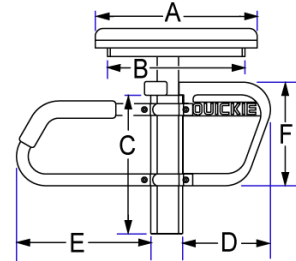


Pos.	Item Number	Description	Remarks
1	561034	SHORT DOME PLUG	
2	226130	1/4-28 x 1 1/2 BH C/S	
3	561003	3/4" SADDLE THIN	
4	226155	1/4-28 x 2 1/4 BH C/S	
5	483041	FLIP-UP ARM CAM ZP/P5	
6	201100-QU	1/4-28 NYLOCK NUT THIN	
7	561004	1" SADDLE 1/4" HOLE	
8	262110-QU	1/4 AN WASHER FLAT THIN	
9	560599	8 x .705 x .200 FOAM GRIP	
10	561000-QU	3/4" INSERT PLUG .083	
12	267350	1/4" WASHER INT LOCK ZN	
1-12	880268	ZP FLIP-UP ARM ASSEMBLY SEAT DEPTH 10"-13"	RIGHT
1-12	880269	ZP FLIP-UP ARM ASSEMBLY SEAT DEPTH 10"-13"	LEFT
1-12	900446	FLIP-UP ARM ASSEMBLY 10"-13" ZP	PAIR
1-12	880270	FLIP-UP ARM ASSEMBLY SEAT DEPTH 14"-16" ZP/P5	RIGHT
1-12	880271	FLIP-UP ARM ASSEMBLY SEAT DEPTH 14"-16" ZP/P5	LEFT
1-12	900448	FLIP-UP ARM ASSEMBLY	
2		Part 2	

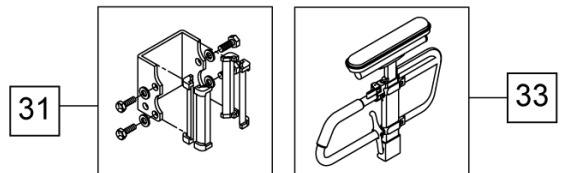
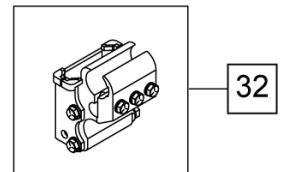
NOTE: * FULL PAD HAS QTY 2 FOR PART # 226038
 ** PLEASE SPECIFY LEFT OR RIGHT WHEN ORDERING THESE PARTS.



MEASURING GUIDE



	STD		KIDS		PEDS	
	DESK	FULL	DESK	FULL	DESK	FULL
A	10"	14"	10"	14"	10"	14"
B	8-7/8"	12-3/8"	8-7/8"	12-7/8"	8-7/8"	12-3/8"
C	8-7/8"	8-7/8"	8-7/8"	8-7/8"	7-1/4"	7-1/4"
D	5-7/8"	5-7/8"	4-1/8"	4-1/8"	4-1/8"	4-1/8"
E	6-5/8"	6-5/8"	6-3/4"	6-3/4"	6-3/4"	6-3/4"
F	6-5/8"	5-5/8"	5-1/8"	5-1/8"	5-1/8"	5-1/8"

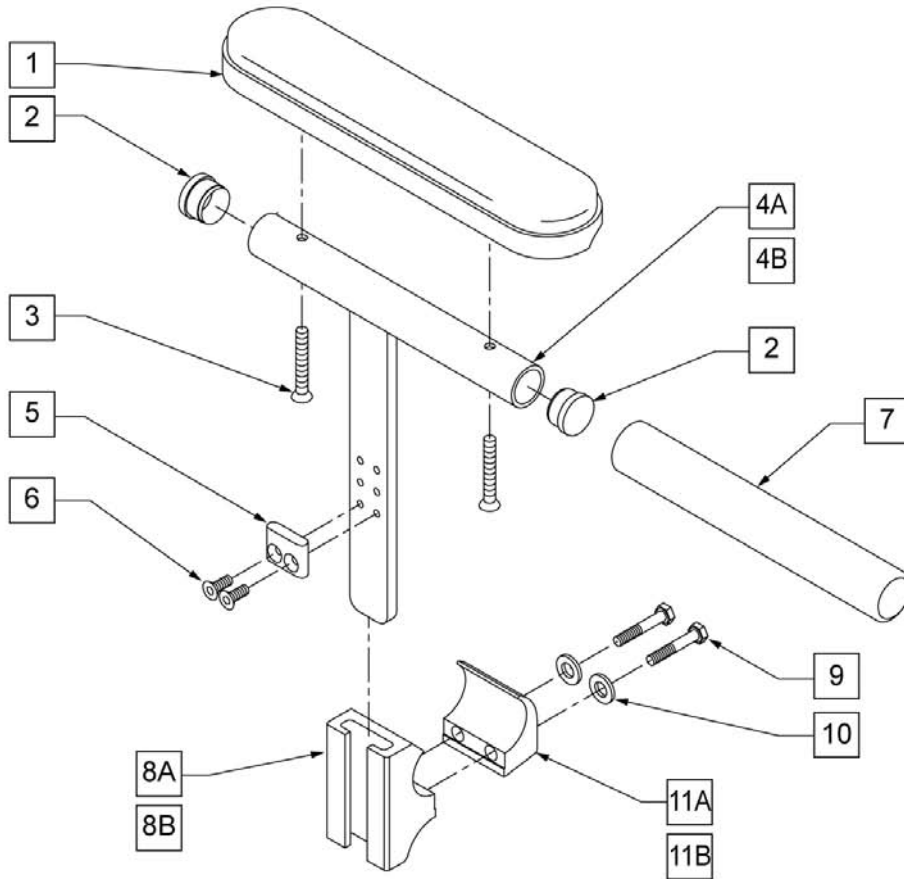


Pos.	Item Number	Description	Remarks
1A	561024	ARMREST PAD 10" DESK	
1B	561031	ARMREST PAD 14" FULL	
2	226031	10-32 x 1 1/4 SOC C/S BLK	
3A	521812	HT ADJ PAD TUBE 10" DESK POWER	
3B	521813	HT ADJ PAD TUBE 14" FULL POWER	
4	560735	7/8" ROUND TUBE PLUG	
5	505084	HT ADJ ARMREST GUSSET	
6A*	226038	10-32 x 1 3/8 BH C/S BLK	
6B	226032-QU	10-32 x 1 1/2 BH C/S BLK	
7A	550481	HT ADJ ARM INNER TUBE	
7B	550478	HT ADJ ARM INNER TUBE PED	
8	481258	UPPER ARM RELEASE PIN	
9	321141	RELEASE PIN SPRING	
10	560266	UPPER RELEASE PIN HOUSING	
11	341088	3/32 x 5/8 ROLL PIN	

Pos.	Item Number	Description	Remarks
12	561109	ARMREST LEVER FLIP-BACK HT ADJ	
13A	560610	5" x .705 x .125 FOAM TUBE	
13B	560627	7 1/2" x .705 x .125 FOAM TUBE	
14A	521820	HT ADJ TRANSFER TUBE STD	
14B	521821	HT ADJ TRANSFER TUBE KIDS	
15	481257	RECEIVER RELEASE LEVER BUSHING	
16	226056	10-32 x 1/2 BH C/S BLK W/PATCH	
17	501551	RECEIVER RELEASE LEVER STD	
17	501552	RECEIVER RELEASE LEVER KIDZ	
17	501553	RECEIVER RELEASE LEVER PEDS	
18	281045	#6 x 1/4 PAN PHIL S/M/S	
19	321721	LEVER RETURN SPRING	
20	561132	HT ADJ ARM FRONT LINER	
21	561133	HT ADJ ARM REAR LINER	
22	321151	HT ADJ LINER SPRING	
23	330092	#4 x 5/32 STICK SCREW	
24	225098	10-32 x 1/8 SET SCR W/PATCH B	
25	550479	HT ADJ ARM OUTER TUBE PED	
25A	550480	HT ADJ ARM OUTER TUBE	
26	226020-QU	10-32 x 5/8 BH C/S BLK	
27	550482	HT ADJ SKIRT CLAMP	
28	561140	HT ADJ SKIRT GUARD STD	
28	561141	HT ADJ SKIRT GUARD KIDS	
29	561135	HT ADJ ARM BOTTOM PLUG	
30	562825	RELEASE LEVER INNER SLEEVE	
31	882679	HT ADJ REC W/O CLAMP ZTS	
32	882680	HT ADJ REC W/CLAMP ZTS	
1-6,6A,7*	880192	HT ADJ UPPR ARM ASSM PWR DSK (EA)	
1-7*	880193	HT ADJ UPPR ARM ASSM PWR FL(EA)	
1-6,6A,7	880174	HT ADJ UPPR ARM PED PWR DESK	RIGHT
1-6,6A,7	880175	HT ADJ UPPR ARM PED PWR DESK	LEFT
1-7*	880176	HT ADJ UPPR ARM PED PWR FULL	RIGHT
1-7*	880177	HT ADJ UPPR ARM PED PWR FULL	LEFT
17-19	888000	HT ADJ REC REL LEVER ASSM STANDARD	
17-19	888001	HT ADJ REC REL LEVER ASSM KDS	
17-19	888002	HT ADJ REC REL LEVER ASSM PEDS	
20-24,25A,29	882086	HT ADJ OUTER DC TBE PED ASSM	
20-24,25A,29	882087	HT ADJ OUTER DC TUBE ASSM	
8-12	888003	HT ADJ UPPER ARM REL ASSM	RIGHT
8-12	888004	HT ADJ UPPER ARM REL ASSM	LEFT
8-30	882084	HT ADJ LOWER DC ARM ASSM STD	RIGHT
8-30	882085	HT ADJ LOWER DC ARM ASSM STD	LEFT
8-30	882082	HT ADJ LOWER DC ARM ASSM KIDS	RIGHT
8-30	882083	HT ADJ LOWER DC ARM ASSM KIDS	LEFT
8-24,25A,26-30	882080	HT ADJ LOWER DC ARM ASSM PED	RIGHT
8-24,25A,26-30	882081	HT ADJ LOWER DC ARM ASSM PED	LEFT
1-30	880210	HT ADJ STD W/DSK ARM PAD PWR	RIGHT
1-30	880211	HT ADJ STD W/DSK ARM PAD PWR	LEFT
1-30	880214	HT ADJ KDS W/DSK ARM PAD PWR	RIGHT
1-30	880215	HT ADJ KDS W/DSK ARM PAD PWR	LEFT
1-30	880226	HT ADJ PED W/DSK ARM PAD PWR	RIGHT
1-30	880227	HT ADJ PED W/DSK ARM PAD PWR	LEFT
1-30	880212	HT ADJ STD W/FULL ARM PD PWR	RIGHT
1-30	880213	HT ADJ STD W/FULL ARM PD PWR	LEFT
1-30	880216	HT ADJ KDS W/FULL ARM PD PWR	RIGHT
1-30	880217	HT ADJ KDS W/FULL ARM PD PWR	LEFT
1-30	880228	HT ADJ PED W/FULL ARM PD PWR	RIGHT

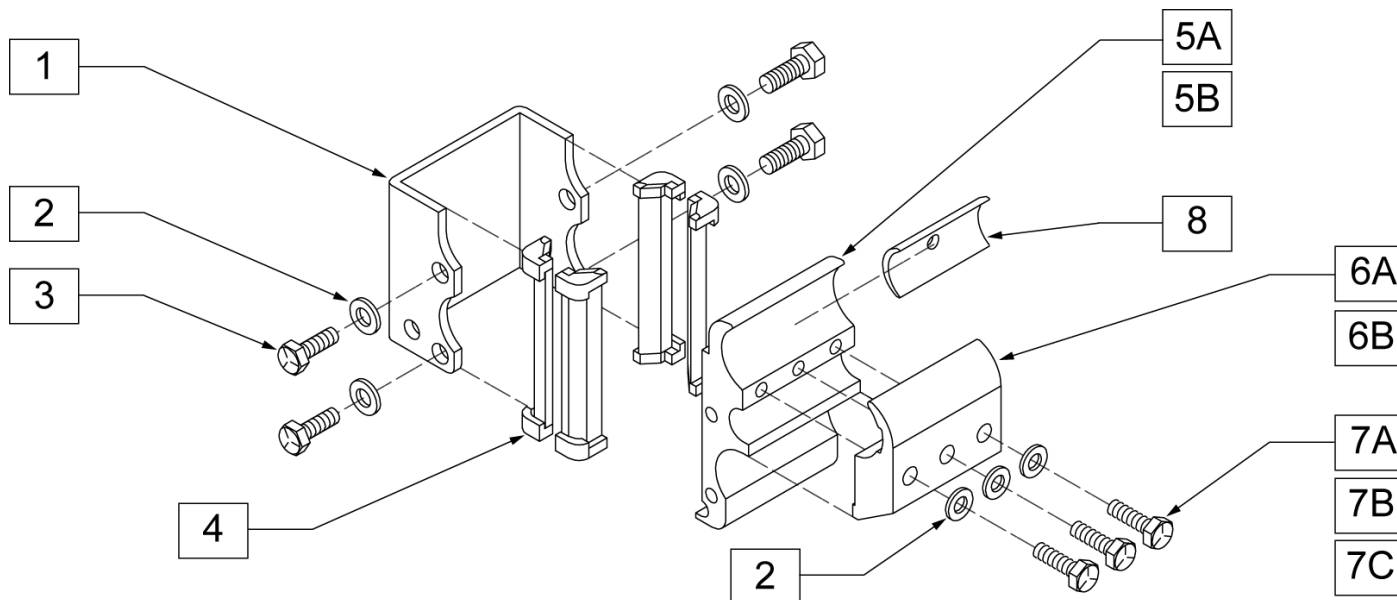
Pos.	Item Number	Description	Remarks
1-30	880229	HT ADJ PED W/FULL ARM PD PWR	LEFT
33	900855	HT ADJ ASSM STANDARD W/DSK PAD ZTS	PAIR
33	900856	HT ADJ ASSM KIDS W/DSK PAD ZTS	PAIR
33	900857	HT ADJ ASSM PED W/DSK PAD ZTS	PAIR
33	900858	HT ADJ ASSM STANDARD W/FULL PAD ZTS	PAIR
33	900859	HT ADJ ASSM KIDS W/FLL PAD ZTS	PAIR
33	900860	HT ADJ ASSM PED W/FULL PAD ZTS	PAIR

NOTE: If ordering for pediatric chairs with 20" or 22" wheels, you must order left armrest pad for right side, and right armrest pad for left side.

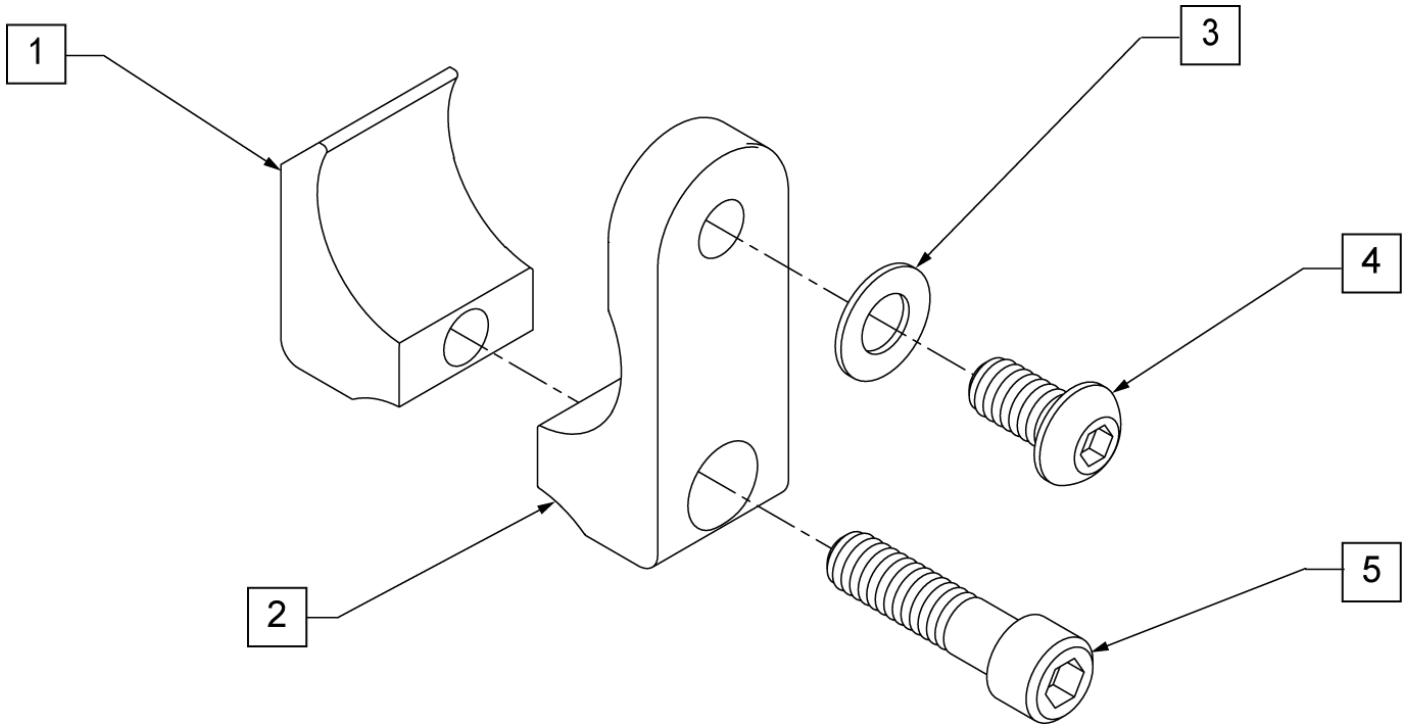


Pos.	Item Number	Description	Remarks
1	560780	ARMREST PAD SMALL 9"	
2	561007	7/8" INSERT PLUG .083	
3	226038	10-32 x 1 3/8 BH C/S BLK	
4A	550360	KIDZ STD ARM WELDMENT	
4B	550361	KIDZ TALL ARM WELDMENT	
5	550105-QU	KIDZ ARM STOP	
6	226012	10-32 x 1/2 FH C/S BLK	
7	560309	ARMREST FOAM KIDZ	
8A	502038	TPHA & SG CLAMP 1"	
8B	550325	SIDE GUARD/KIDZ ARM REC	
9	221127	1/4-28 x 1 3/8 HEX C/S	
10	262110-QU	1/4 AN WASHER FLAT THIN	
11A	502037	TPHAR & SGR CLAMP 1"	
11B	550251	CLAMP P300 CHRNGG/ADJ FL KDS	
1-6	880162	KIDS ARM STANDARD R	RIGHT
1-6	880163	KIDS ARM STANDARD L	LEFT

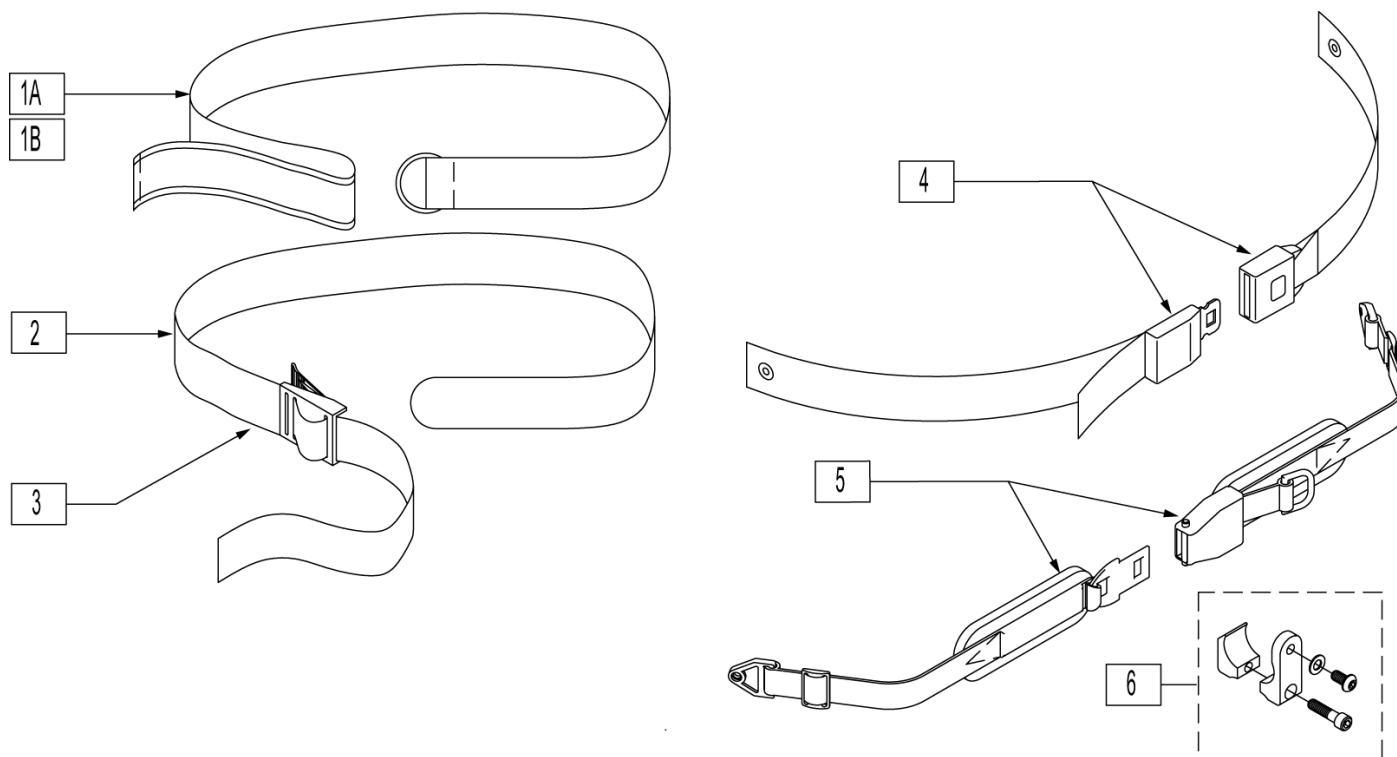
Pos.	Item Number	Description	Remarks
1-3,4B,5,6	880164	KIDZ ARM TALL R	RIGHT
1-3,4B,5,6	880165	KIDZ ARM TALL L	LEFT
8A,9,10,11B	881200	SIDE GUARD/KIDZ ARM REC W/ CLAMP	
8-11	882681	T-PST/SDE GUARD REC W/CLMP ZTS	
2,4-7	885010	KIDZ ARM STD W/FOAM R	RIGHT
2,4-7	885011	KIDZ ARM STD W/FOAM L	LEFT
2,4A,5-7	885012	KIDZ ARM TALL W/FOAM R	RIGHT
2,4A,5-7	885013	KIDZ ARM TALL W/FOAM L	LEFT
1-6,8A,9,10,11B	900693	KIDZ ARM ASSM STD W/REC	
1-3,4B,5, 8B,9,10,11B	900694	KIDZ ARM ASSM TALL W/REC	
2,4-7,8A,9,10,11B	900755	KIDZ ARM ASSM STD W/FOAM W/REC	
2,4B,5-7,8A,9,10,11B	900756	KIDZ ARM ASSM TALL W/FOAM W/REC	
1-5,8-11	900795	KIDZ ARM ASSM STD W/REC ZTS	
1-3,4B,5,6,8-11A	900796	KIDZ ARM ASSM TALL W/REC ZTS	
2,4A-11A	900797	KDZ ARM ASSM STD W/FM W/RC ZTS	
2,4B,5-11A	900798	KDZ ARM ASSM TLL W/FM W/RC ZTS	



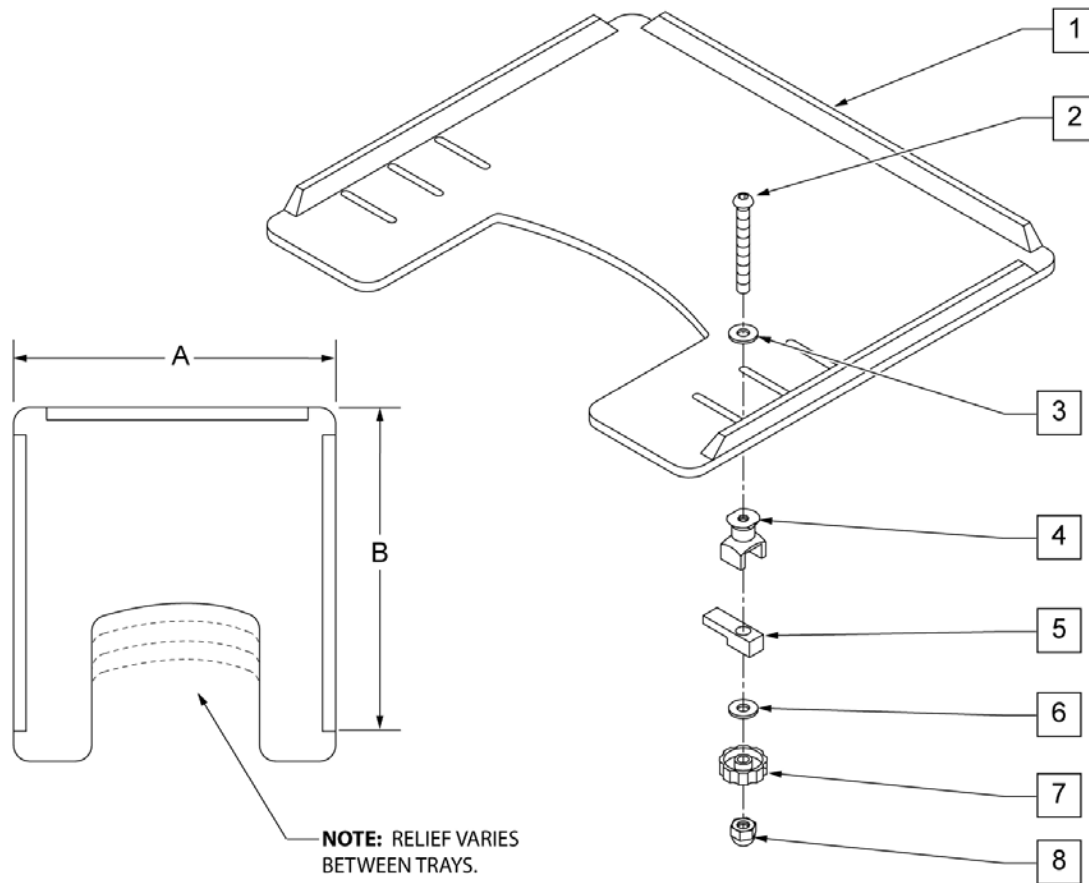
Pos.	Item Number	Description	Remarks
1	550485	HEIGHT ADJUSTABLE RECEIVER CHANNEL	
2	262100-QU	1/4 AN WASHER FLAT	
3	221096	1/4-28 x 5/8 HEX C/S	
4	561134	HEIGHT ADJUSTABLE RECEIVER LINER	
5A	550528	HEIGHT ADJUSTABLE RECEIVER ZIPPIE	
5B	550484	HEIGHT ADJUSTABLE RECEIVER LOW	
6A	550529	HEIGHT ADJUSTABLE RECIEVER CLAMP ZIPPIE	
6B	550491	HEIGHT ADJUSTABLE RECIEVER CLAMP LOW	
7A	221133	1/4-28 x 1 1/2 G8 HEX C/S	
7B	221127	1/4-28 x 1 3/8 HEX C/S	Used with spacer
7C	221124-QU	1/4-28 X 1 1/4 G8 HEX C/S	
8	550486	HEIGHT ADJUSTABLE RECEIVER SPACER	Used to space Armrest 1/8" from frame on each side
1-4, 5B	880231	HEIGHT ADJUSTABLE RECIEVER KIDS W/O CLAMP	
1-4, 5B, 6B, 7A	880241	HEIGHT ADJUSTABLE RECIEVER KIDS W/ CLAMP	
1-4, 5B, 6B, 7B, 8	880249	HEIGHT ADJUSTABLE RECIEVER KIDS W/ CLAMP AND SPACER	
1-4, 5A	882679	HEIGHT ADJUSTABLE RECIEVER W/O CLAMP ZIPPIE TS	
1-4, 5A, 6A, 6B, 7C	882680	HEIGHT ADJUSTABLE RECIEVER W/ CLAMP ZIPPIE TS	



Pos.	Item Number	Description	Remarks
1	551267	SEAT BELT CLAMP L	LEFT
2	551268	SEAT BELT CLAMP R	RIGHT
3	262100-QU	1/4 AN WASHER FLAT	
4	226049	1/4-20 x 3/8 BH C/S	
5	221116	1/4-20 x 1 SOC HD BLK	
1-5	900116	POSITION BELT ATTACHMENT KIT	

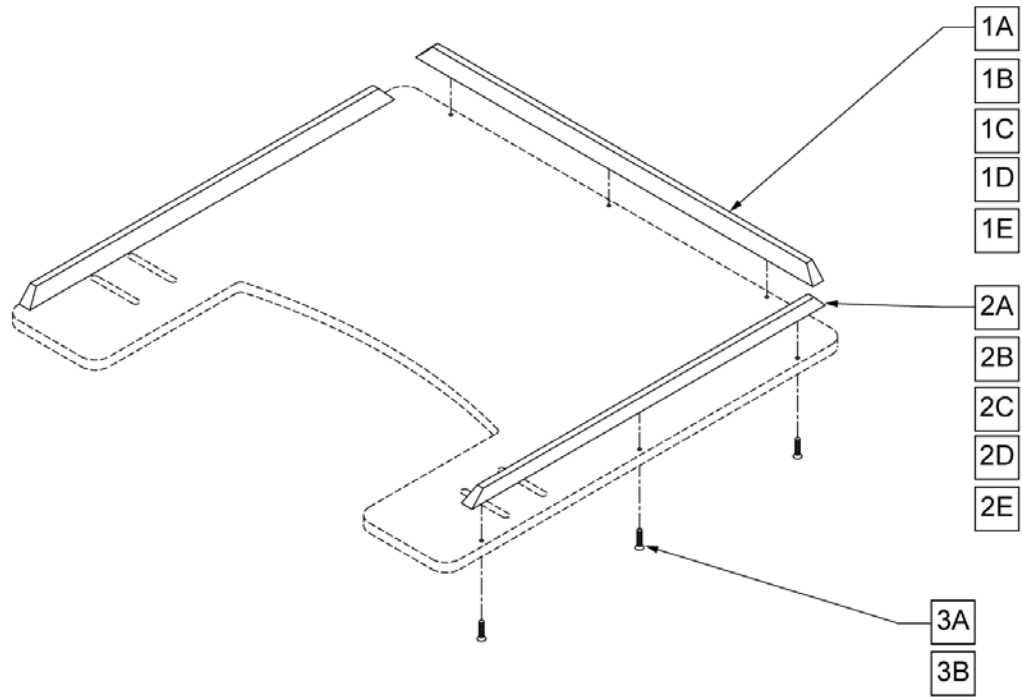


Pos.	Item Number	Description	Remarks
1	750200	POSITIONING BELT LONG VELCRO	
1A	750204	POSITIONING BELT SHORT VELCRO	
3	560200	2" PLASTIC BUCKLE	
4	750276	1 1/2" POSITION BELT	
5	450418-QU	BELT 2" AIRCRAFT BUCKLE	
5	450423-QU	BELT 2" AIRCRAFT BUCKLE W/PAD	
5	450424	BELT 2" AIRCRAFT BKL LONG W/PAD	
5	450425	BELT 2" AIRCRAFT BKL LONG	
5	450419-QU	BELT 2" AIRCRAFT BKL W/QUAD LP	
5	468419	BELT 2" AIRCRT BKL W/QD LP CZ	
6	900116	POSITION BELT ATTACHMENT KIT	
2,3	750210	POSITIONING BELT LONG BUCKLE	
2,3	750214	POSITIONING BELT SHORT BUCKLE	
5,6	920918	POS BELT ATT KIT W/2" AIR BUCKLE	
5,6	920919	POS BLT ATT KT W/2" AIR BUCKLE PAD	



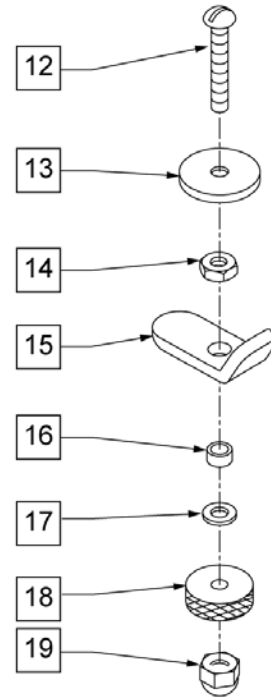
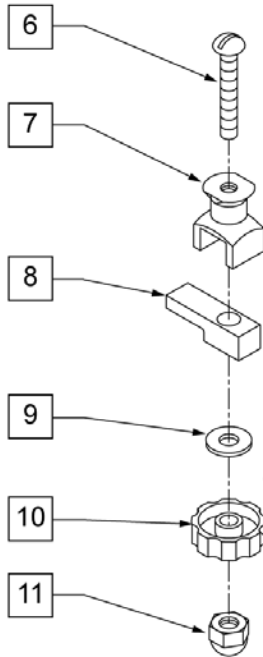
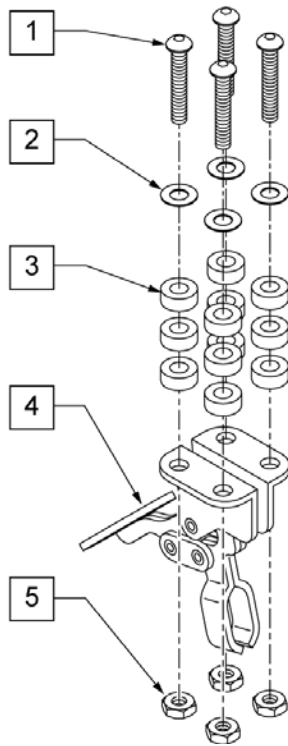
Pos.	Item Number	Description	Remarks
1	226199	5/16-18 x 3 1/2 CARR BOLT	
2	263112	5/16 WASHER FENDER	
3	202110	5/16-18 NUT THIN	
4	550400	TRAY CLAMP	
5	481113	SPACER 5/16 X .380	
6	263100	5/16 AN WASHER FLAT	
7	483026	KNURLED TRAY KNOB	
8	202112	5/16-18 ACORN NUT	
1-8	881051	TRAY HARDWARE KIT TUFFAK NEW STYLE	
9A	562619	TRAY TOP EX-SM W/RAIL	DIM: A=21" B=18"
9B	562620	TRAY TOP SM W/RAIL	DIM: A=21" B=18"
9C	562621	TRAY TOP MED W/RAIL	DIM: A=23.75" B=21.5"
9D	562622	TRAY TOP LRG W/RAIL	DIM: A=26" B=23.75"
9E	562623	TRAY TOP X-LRG W/RAIL	DIM: A=27.75" B=23.75"
1-9A	902306	TRAY ASSEMBLY EX-SM TUFFAK (10 -12")	DIM: A=21" B=18"
1-8,9B	902303	TRAY ASSEMBLY SM TUFFAK (13 -14")	DIM: A=21" B=18"
1-8,9C	902304	TRAY ASSEMBLY MED TUFFAK (15 -17")	DIM: A=23.75" B=21.5"
1-8,9D	902305	TRAY ASSEMBLY LRG TUFFAK (18 -20")	DIM: A=26" B=23.75"
1-8,9E	902309	TRAY ASSEMBLY X-LRG TUFFAK (21 -22")	DIM: A=27.75" B=23.75"

NOTE: ONE 19" RIB AND TWO 15 1/2" RIBS FIT THE EXTRA-SMALL, SMALL, 9-0 AND 9-1 TRAY TABLES.
 ONE 21" RIB AND TWO 19" RIBS FIT THE MEDIUM AND 9-2 TRAY TABLES.
 ONE 23 1/2" RIB AND TWO 21" RIBS FIT THE LARGE, 9-2, 9-5, AND 9-6 TRAY TABLES.



Pos.	Item Number	Description	Remarks
1	9004	19" WOOD TRAY RIBS	
1	9005	21" WOOD TRAY RIBS	
1	9006-QU	23 1/2" WOOD TRAY RIBS	
2	9003	15 1/2" WOOD TRAY RIBS	
2	9004	19" WOOD TRAY RIBS	
2	9005	21" WOOD TRAY RIBS	
1A	9010	19" HEAVY DUTY RIB FOR WOOD TRAY	
1A	9013	21" HEAVY DUTY RIB FOR WOOD TRAY	
1A	9016	23 1/2" HEAVY DUTY RIB FOR WOOD TRAY	
2A	9007-QU	15 1/2" HEAVY DUTY RIB FOR WOOD TRAY	
2A	9010	19" HEAVY DUTY RIB FOR WOOD TRAY	
2A	9013	21" HEAVY DUTY RIB FOR WOOD TRAY	
1B	9011-QU	19" HEAVY DUTY RIB FOR 3/8" TUFFAK	
1B	9014	21" HEAVY DUTY RIB FOR 3/8" TUFFAK	
1B	9017	23 1/2" HEAVY DUTY RIB FOR 3/8" TUFFAK	
2B	9008-QU	15 1/2" HEAVY DUTY RIB FOR 3/8" TUFFAK	
2B	9011	19" HEAVY DUTY RIB FOR 3/8" TUFFAK	
2B	9014	21" HEAVY DUTY RIB FOR 3/8" TUFFAK	
1C	9012-QU	19" HEAVY DUTY RIB FOR 1/4" TUFFAK	
1C	9015	21" HEAVY DUTY RIB FOR 1/4" TUFFAK	
1C	9018	23 1/2" HEAVY DUTY RIB 1/4" TUFFAK	
2C	9009	15 1/2" HEAVY DUTY RIB 1/4" TUFFAK	

Pos.	Item Number	Description	Remarks
2C	9012	19" HEAVY DUTY RIB 1/4" TUFFAK	
2C	9015	21" HEAVY DUTY RIB 1/4" TUFFAK	
1D	14081	19" ALUMINUM TRAY RIB	ALUM
1D	14082	21" ALUMINUM TRAY RIB	ALUM
1D	14083	23 1/2" ALUMINUM TRAY RIB	ALUM
2D	14080-QU	15 1/2" ALUMINUM TRAY RIB	ALUM
2D	14081	19" ALUMINUM TRAY RIB	ALUM
2D	14082	21" ALUMINUM TRAY RIB	ALUM
3A	2268	#6 x 5/8" OVAL PHILLIPS SCREW	
3B	230047	#6 x 3/4" FH PHIL S/M SCREW	

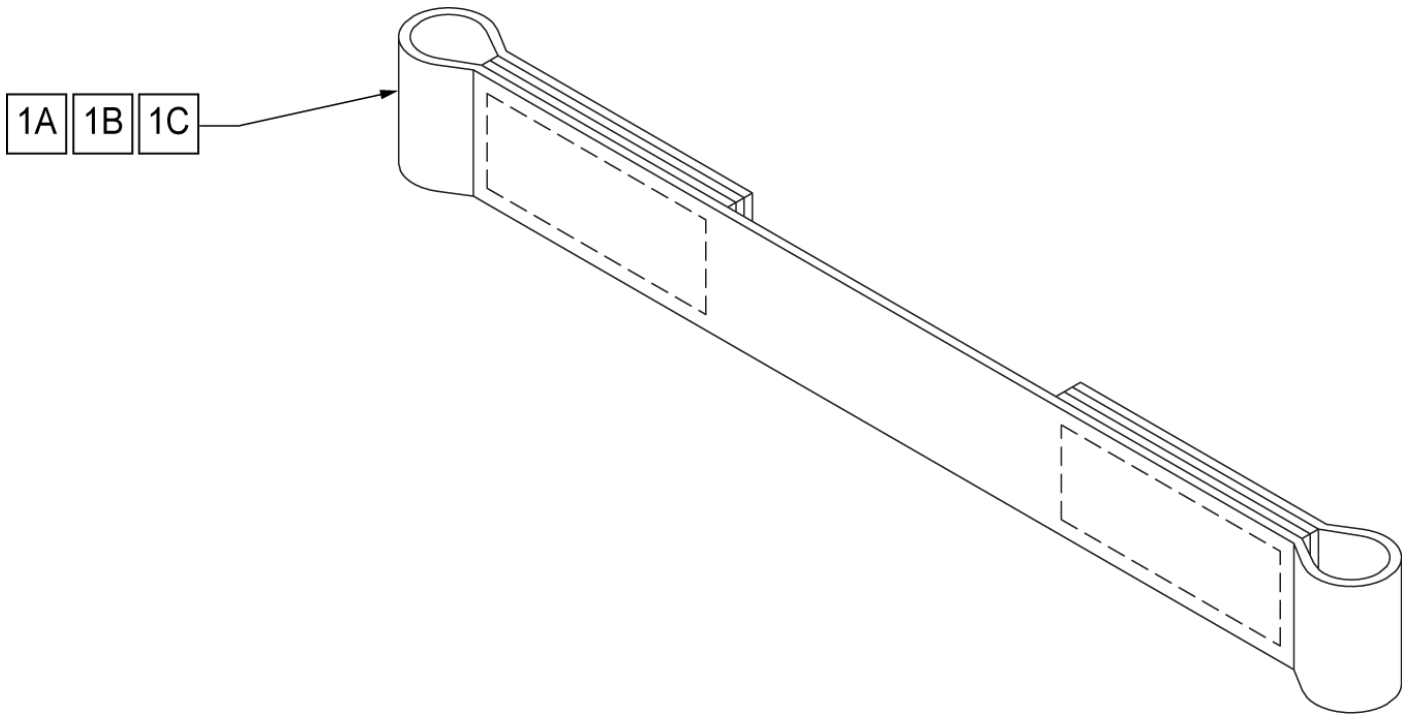


Pos.	Item Number	Description	Remarks
1	2249	5/16-18 x 1 1/2 BH C/S BLK	
2	2709	.625 x .135 x .031 NYLON WASHER	
3	2710	.609 x .250 x .250 NYLON SPACER	
5	202110	5/16-18" NUT THIN	
6	2021	5/16-18" x 2 3/4" BUTTON HD C/S	
7	14240	TRAY BUSHING	
8	14230	TRAY LOCK BAR	
9	2705	1/4" FLAT WASHER	
10	14220	TRAY KNOB	
11	202114	5/16-18" ACORN LOCK NUT	
12	226199	5/16-18" x 3 1/2" CARR BOLT	
13	263112	5/16 WASHER FENDER	
14	202110	5/16-18" NUT THIN	
15	550400	TRAY CLAMP	
16	481013	BEARING SPACER	
17	263100	5/16" AN WASHER FLAT	
18	483026	KNURLED TRAY KNOB	
19	202112	5/16-18" ACORN NUT	
1-5	4099	TOGGLE CLAMP - HIDEAWAY	
6-11	881053	TRAY HARDWARE ADJ ARM PWR (14219)	
12-19	881051	TRAY HDWR KIT TUFFAK NEW STYLE (9QH)	

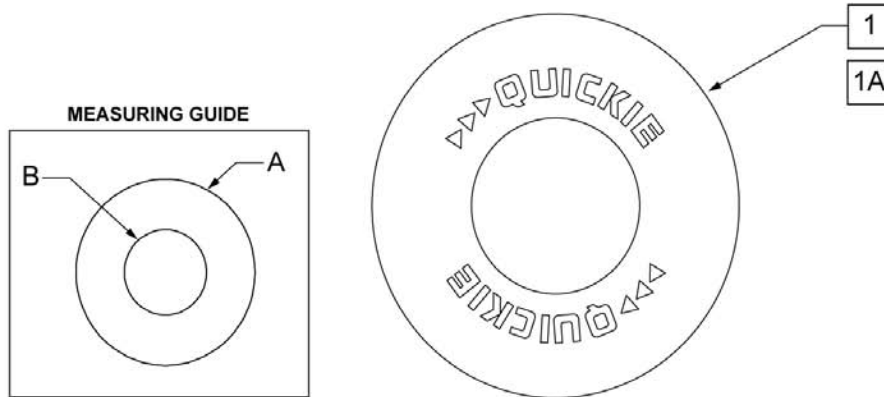
NOTE: KIDS BACKPACKS DO NOT HAVE ADJUSTABLE STRAPS WITH BUCKLES.



Pos.	Item Number	Description	Remarks
1	750115	BACKPACK QUICKIE	
2	750304	SEAT POUCH BLACK/CHARCOAL	
2	750307	SEAT POUCH QUICKIE	
3	750121	BACK PACK BLACK/CHARCOAL KIDS	



Pos.	Item Number	Description	Remarks
1A	740130	LEG STRAP 10 -14" BLACK	
1B	740131	LEG STRAP 15 -17" BLACK	
1C	740132	LEG STRAP 18 -20" BLACK	

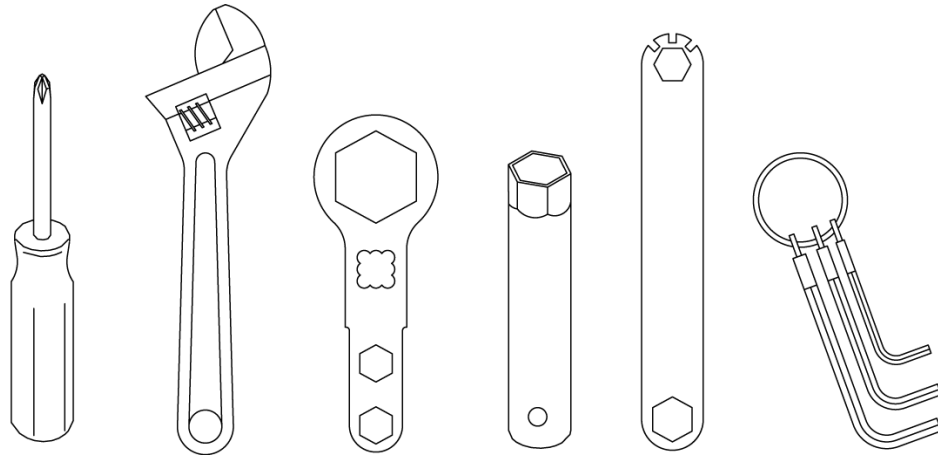


SPOKE GUARD	PART NUMBER	DIM "A"	DIM "B"
SPOKE GUARDS 20" CLEAR	902041	15 7/8"	8 1/4"
SPOKE GUARDS 22" CLEAR	902043	18 1/8"	8 1/4"
SPOKE GUARDS 24" CLEAR	902048	19 1/4"	10 1/4"
SPOKE GUARDS 26" CLEAR	902050	21 7/8"	10 1/4"
SPOKE GUARDS 20"/22" PROJECTION CLEAR	902044	16 3/4"	8 1/4"
SPOKE GUARDS 24"/26" PROJECTION CLEAR	902052	21 1/4"	10 1/4"
SPOKE GUARDS 24" QP CLR	902054	21 1/2"	10 1/4"
SPOKE GUARDS 26" QP CLR	902056	23 1/2"	10 1/4"

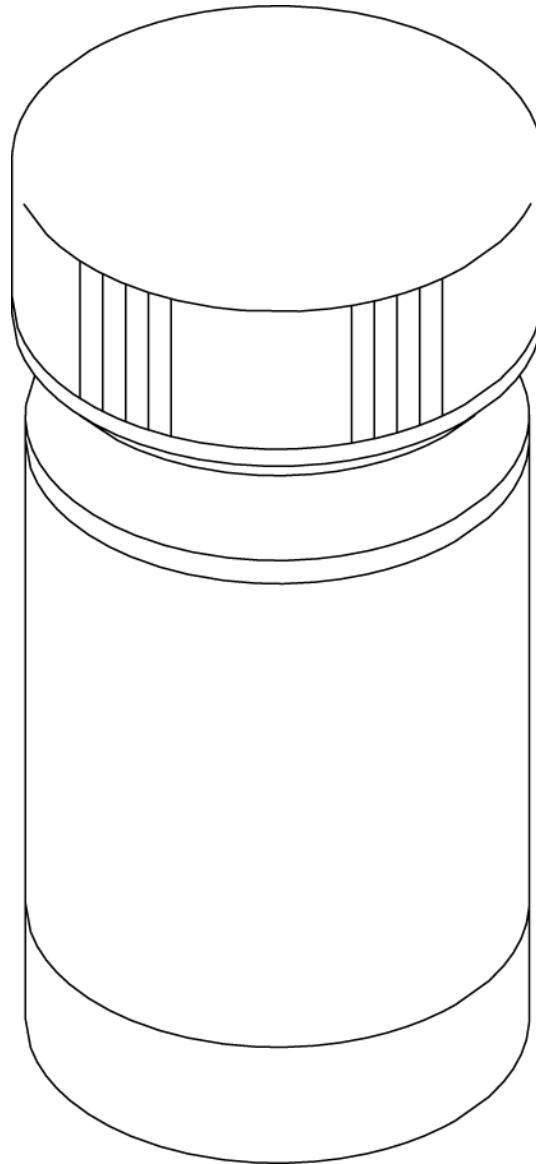
SPOKE GUARD	PART NUMBER	DIM "A"	DIM "B"
SPK GUARDS 24" CLR 6-SPK MAG	902049	19 1/4"	10 1/4"
SPOKE GUARDS 24" PROJECTION CLEAR 6-SPOKE	902053	24 1/4"	10 1/4"
SPOKE GUARDS 20" BLACK	902001	15 7/8"	8 1/4"
SPOKE GUARDS 22" BLACK	902011	18 1/8"	8 1/4"
SPOKE GUARDS 24" QUICKIE SCR MT BLACK (540 mm)	902021	19 5/8"	10 1/4"
SPOKE GUARDS 24" QUICKIE HT TAB MT BLACK (559 mm)	902025	20 3/8"	10 1/4"
SPOKE GUARDS 26" QUICKIE TAB MT BLACK	902037	21 7/8"	10 1/4"
SPOKE GUARDS 26" HT BLACK	902038	23 3/8"	10 1/4"

Pos.	Item Number	Description	Remarks
1	902041	SPOKE GUARDS 20" QUICKIE CLR	
1	902043	SPOKE GUARDS 22" QUICKIE CLR	
1	902044	SPOKE GUARDS 20" & 22" PROJ CLR	
1	902046	SPOKE GUARDS 22" MAG PROJ CLR	
1	902048	SPOKE GUARDS 24" CLR	
1	902049	SPOKE GUARDS 24" MAG 6S CLR	
1	902050	SPOKE GUARDS 26" CLR	
1	902052	SPOKE GUARDS 24" & 26" PROJ CLR	
1	902053	SPOKE GUARDS 24" PROJ CLR 6 SPK	
1	902054	SPOKE GUARDS 24" QP CLR	
1	902056	SPOKE GUARDS 26" QP CLR	
1A	902001	SPOKE GUARDS 20" QUICKIE BLK	
1A	902010	SPOKE GUARDS 22" BLK	
1A	902011	SPOKE GUARDS 22" QUICKIE BLK	
1A	902012	SPOKE GUARDS 20" & 22" PROJ BLK	
1A	902013	SPOKE GUARDS 22" MAG PROJ BLK	
1A	902020	SPOKE GUARDS 24" BLK	
1A	902021	SPOKE GUARD 24" QUICKIE SCR MT BLK	
1A	902025	SPOKE GUARD 24" QUICKIE TAB MT BLK	
1A	902030	SPOKE GUARDS 26" BLK	
1A	902032	SPOKE GUARDS 24" & 26" PROJ BLK	
1A	902034	SPOKE GUARDS 14" QP	
1A	902036	SPOKE GUARDS 26" QUICKIE TAB MT BLK	

Pos.	Item Number	Description	Remarks
1A	902038	SPOKE GUARDS 26" QUICKIE HT BLK	

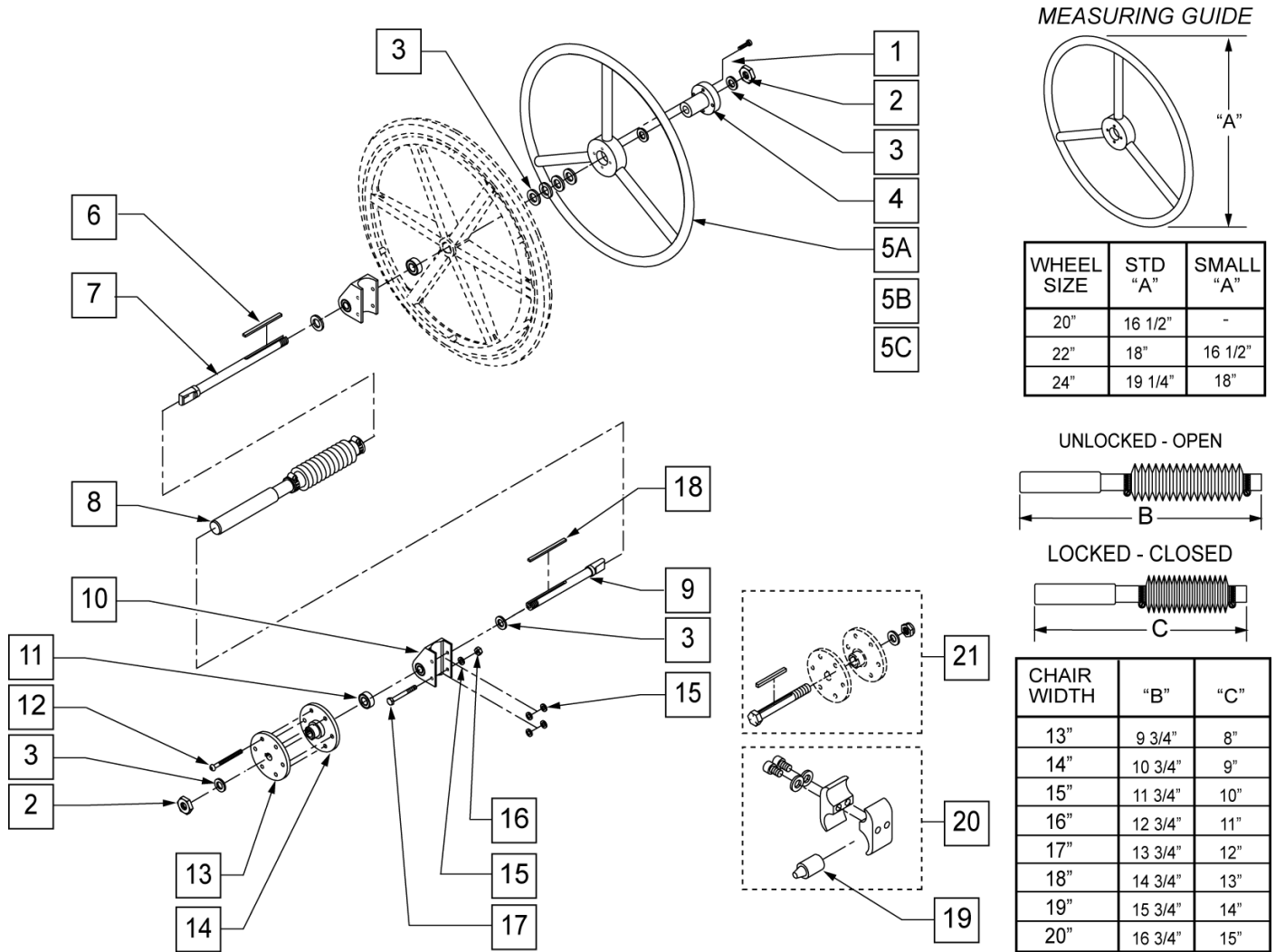


Pos.	Item Number	Description	Remarks
1	349999	TOOL KIT (INCLUDING CASE)	



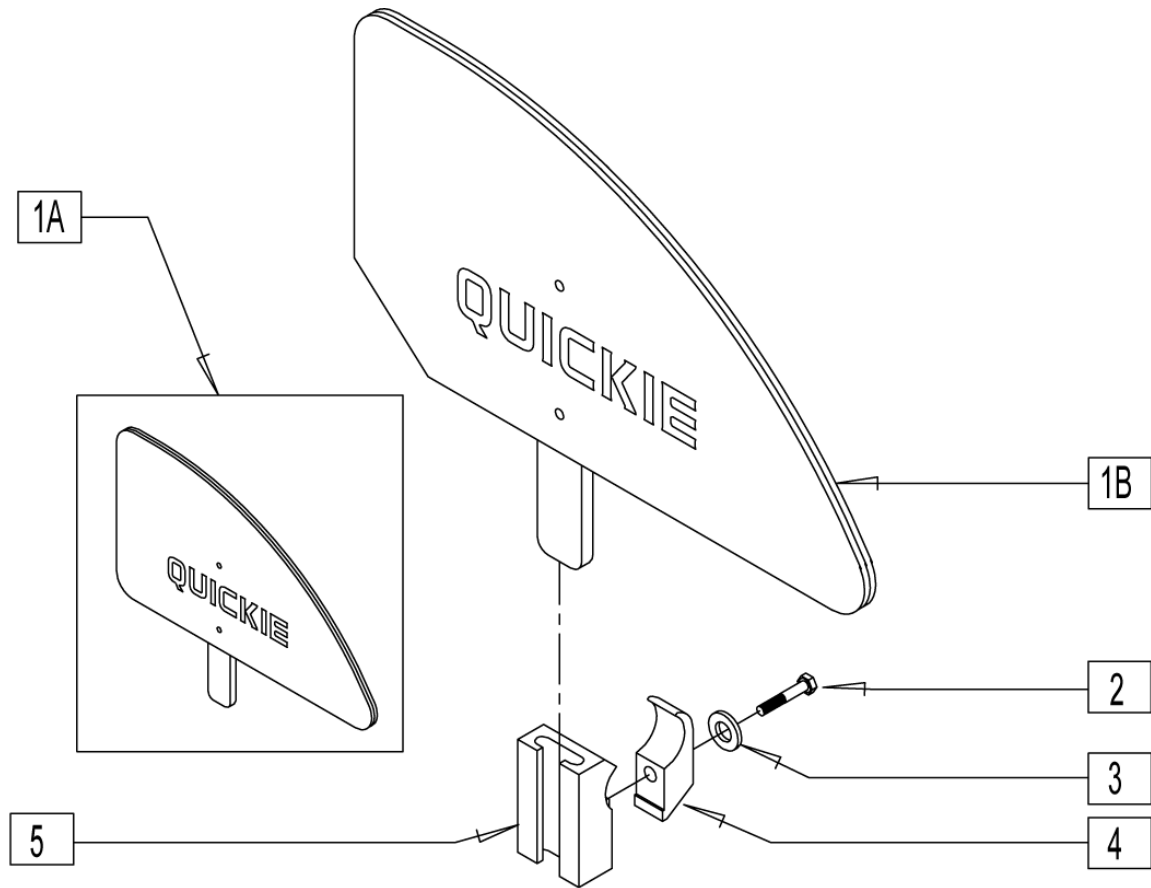
Pos.	Item Number	Description	Remarks
1	160504	TOUCH UP BLACK 10oz	
1	160510	TOUCH UP BLUE 10oz	
1	160514	TOUCH UP YELLOW 10oz	
1	160542	TOUCH UP MIDNIGHT PURPLE 10oz	
1	160551	TOUCH UP FOREST GREEN 10oz	
1	160555	TOUCH UP PEARL PINK 10oz	
1	160560	TOUCH UP TOXIC GREEN 10oz	
1	160561	TOUCH UP BLUE VELVET 10oz	
1	160562	TOUCH UP BLACK OPAL 10oz	
1	160563	TOUCH UP CANDY RED 10oz	
1	160564	TOUCH UP CANDY BLUE 10oz	
1	160565	TOUCH UP ORANGE 10oz	
1	160566	TOUCH UP BLUE OPAL 10oz	
1	160567	TOUCH UP CANDY TURQOISE 10oz	
1	160568	TOUCH UP RAZZLEBERRY 10oz	

NOTE: * PART NUMBER 880728 IS USED ON 14"-20" WIDE WHEELCHAIRS PRIOR TO Q2-16996 AND ALL 13" WIDE WHEELCHAIRS.



Pos.	Item Number	Description	Remarks
1	226015	10-32 x 3/4 SOC C/S BLK	
2	203100	1/2-20 NYLOCK NUT	
3	264100	1/2 AN WASHER FLAT	
4	500634	1 AD HUB CENTER	
5	529801	1 AD HR ONLY 20" STD/24" SM	
5A	529800	1 AD HR ONLY 22" STD/22" SM	
5B	529802	1 AD HR ONLY 24" STD	
6	341274	3/16 SQ x 1-1/2 KEY STL	
7	481131	1 AD HANDRIM DRIVE SHAFT	
8	101097-002	1 AD SHAFT ASSM 13"	
8	101097-003	1 AD SHAFT ASSM 14"	
8	101097-004	1 AD SHAFT ASSM 15"	
8	101097-005	1 AD SHAFT ASSM 16"	
8	101097-006	1 AD SHAFT ASSM 17"	
8	101097-007	1 AD SHAFT ASSM 18"	

Pos.	Item Number	Description	Remarks
8	101109	1 AD COVER ASSM	
9	481132	1 AD WHEEL DRIVE SHAFT	
10	880834	1 AD AXLE PLATE W/BEARINGS LX	
11	483057	MAG AXLE SPACER W/HOLE 1 AD WHEEL SPACER	RIGHT
11	483058	MAG AXLE SPACER W/HOLE 1 AD WHEEL SPACER	LEFT
12	226166	1/4-28 x 2 1/2 BH C/S BLK	
13	500630	1 AD WHEEL HUB W/O TAP	
14	500631	WHEEL HUB 1 ARM DRIVE W/TAP	
15	262110-QU	1/4 AN WASHER FLAT THIN	
16	201110-QU	1/4-28 NYLOCK NUT	
17	221192	1/4-28 x 2 G8 HEX C/S	
18	341277	3/16" SQ x 2-3/8" KEY	
19	482030	1 AD DRIVE RECEIVER	
20	880594	WHL LCK 1AD CLAMP ASSM BLK	
21	330015	1AD ALIGNMENT TOOL ASSM	
2,3,7,9-19	881081	1 AD HDWR KIT TS	
1-20	923780	1AD 13" RETRO 20 STD/22SM HR TS	
1-20	923781	1AD 14" RETRO 20 STD/22SM HR TS	
1-20	923782	1AD 15" RETRO 20 STD/22SM HR TS	
1-20	923783	1AD 16" RETRO 20 STD/22SM HR TS	
1-4,5A,6-20	923788	1AD 13" RETRO 22 STD/24SM HR TS	
1-4,5A,6-20	923789	1AD 14" RETRO 22 STD/24SM HR TS	
1-4,5B,6-20	923790	1AD 15" RETRO 22 STD/24SM HR TS	
1-4,5B,6-20	923791	1AD 16" RETRO 22 STD/24SM HR TS	
1-4,5B,6-20	923794	1 AD 13" RETRO 24 STD HR TS	
1-4,5B,6-20	923795	1 AD 14" RETRO 24 STD HR TS	
1-4,5B,6-20	923796	1 AD 15" RETRO 24 STD HR TS	
1-4,5B,6-20	923797	1 AD 16" RETRO 24 STD HR TS	
1-20	923850	1 AD 17" RETRO 20 STD/22 SM HR TS	RIGHT
1-20	923853	1 AD 18" RETRO 20 STD/22 SM HR TS	LEFT
1-4,5A,6-20	923851	1 AD 17" RETRO 22 STD/24 SM HR TS	RIGHT
1-4,5A,6-20	923854	1 AD 18" RETRO 22 STD/24 SM HR TS	LEFT
1-4,5B,6-20	923852	1 AD RETRO 24 STD HR TS	RIGHT
1-4,5B,6-20	923855	1 AD RETRO 24 STD HR TS	LEFT



Pos.	Item Number	Description	Remarks
1A	881150	PLASTIC SIDE GUARD KIDS R	
1A	881151	PLASTIC SIDE GUARD KIDS L	
1B	881152	PLASTIC SIDE GUARD STD R	
1B	881153	PLASTIC SIDE GUARD STD L	
2	221127	1/4-28 x 1 3/8 HEX C/S	
3	262110-QU	1/4 AN WASHER FLAT THIN	
4	550251	CLAMP P300 CHARGING/ADJ FL KIDS	
5	550325	SIDE GUARD/KIDZ ARM RECEIVER	
2-5	881200	SIDE GUARD/KIDZ ARM RECEIVER W/CLAMP	
1A,2-5	901111	PLASTIC SIDE GUARD KIDS ASSM W/CLAMP	
1B,2-5	901110	PLASTIC SIDE GUARD STD ASSM W/CLAMP	



NEW ZIPPIE[®] TS

Free Manuals Download Website

<http://myh66.com>

<http://usermanuals.us>

<http://www.somanuals.com>

<http://www.4manuals.cc>

<http://www.manual-lib.com>

<http://www.404manual.com>

<http://www.luxmanual.com>

<http://aubethermostatmanual.com>

Golf course search by state

<http://golfingnear.com>

Email search by domain

<http://emailbydomain.com>

Auto manuals search

<http://auto.somanuals.com>

TV manuals search

<http://tv.somanuals.com>