

**INSTALLATION INSTRUCTIONS FOR CANOPY HOOD KITS  
FOR USE WITH UVF-36, UVFRC-3628, UVFRC-3628-H  
UVFRC-4228 & UVFRC-4228-H UNIVERSAL VENTFREE FIREBOXES**

**KIT CONTENTS:**

- 1 ea. Charcoal Canopy Hood
- 3 ea. Screws
- 1 ea. Instruction Sheet

Charcoal Canopy Hood Kits		
CAT. NO.	MODEL NO.	WHERE USED
H1989	FC36	UVF-36, UVFRC-3628, UVFRC-3628-H (UVF-36 standard part)
H1990	FC42	UVFRC-4228 & UVFRC-4228-H

*Table 1*

**TOOLS NEEDED:**

- 5/16" Nut Driver or Socket

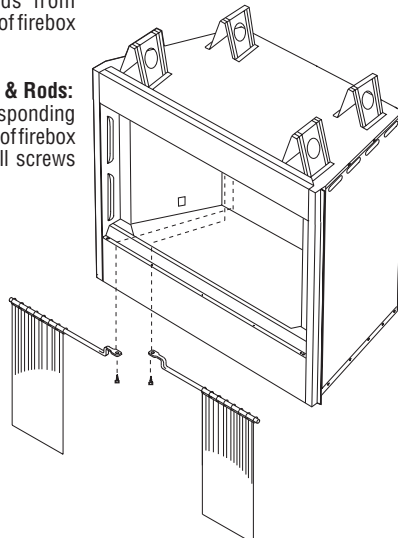
**INSTALL ONLY WHEN APPLIANCE IS OFF AND COLD!**

**Removing Screens & Rods:**

Remove screws (see dotted lines). Pull out rods from locating holes on side of firebox opening.

**Reinstalling Screens & Rods:**

Insert rods into corresponding locating holes on sides of firebox opening, then reinstall screws as shown.



*Figure 1*

**GENERAL INFORMATION**

These canopy hood kits are design to be fitted to the face of the appliance directly above the firebox opening. In addition to providing an aesthetically pleasing appearance to your appliance installation, the canopy reduces heat effects to decorative mantels and finish materials located directly above the fireplace and reduces the Mantel / Trim clearances (see *Figure 4* in the *Installation and Operation Manual*).

**NOTE:** A canopy hood is a standard part for model UVF-36. This model requires a canopy hood on all installations.

The manufacturer recommends that the installation and Operation Manual provided with the appliance be read completely and understood thoroughly before proceeding with the installation of these kits. **ALL WARNINGS AND PRECAUTIONS IN THAT DOCUMENT APPLY TO THESE INSTRUCTIONS.**

**INSTALLATION INSTRUCTIONS**

The factory-supplied canopy must be installed on the firebox for safe operation for model UVF-36 (this part is optional for other models).

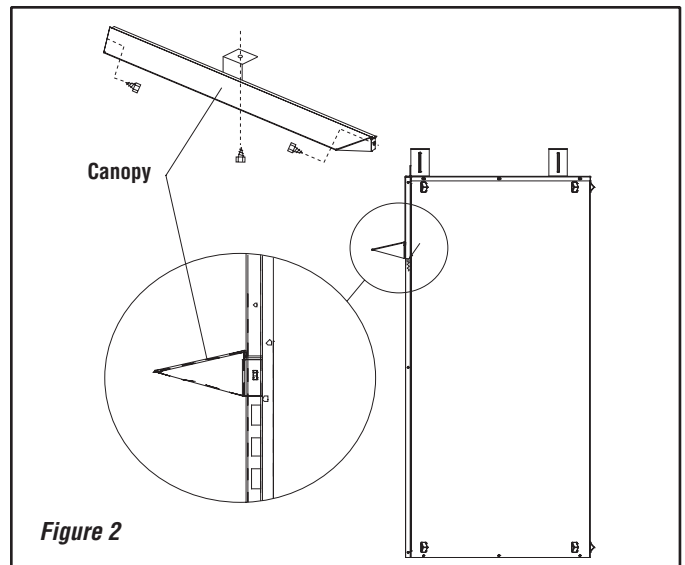
**Step 1.** Remove screen and rod assemblies as shown in *Figure 1*.

**Step 2.** Align the canopy with the holes in the side frames.

**Step 3.** Install three screws as shown in *Figure 2*.

**Step 4.** Make sure canopy is level and secure.

**Step 5.** Reinstall screen and rod assemblies (see *Figure 1*)



*Figure 2*

NOTE: DIAGRAMS & ILLUSTRATIONS ARE NOT TO SCALE.

LHP reserves the right to make changes at any time, without notice, in design, materials, specifications, prices and the discontinuance of colors, styles and products. Consult your local distributor for fireplace code information.

## Free Manuals Download Website

<http://myh66.com>

<http://usermanuals.us>

<http://www.somanuals.com>

<http://www.4manuals.cc>

<http://www.manual-lib.com>

<http://www.404manual.com>

<http://www.luxmanual.com>

<http://aubethermostatmanual.com>

Golf course search by state

<http://golfingnear.com>

Email search by domain

<http://emailbydomain.com>

Auto manuals search

<http://auto.somanuals.com>

TV manuals search

<http://tv.somanuals.com>