

2010

Kizashi

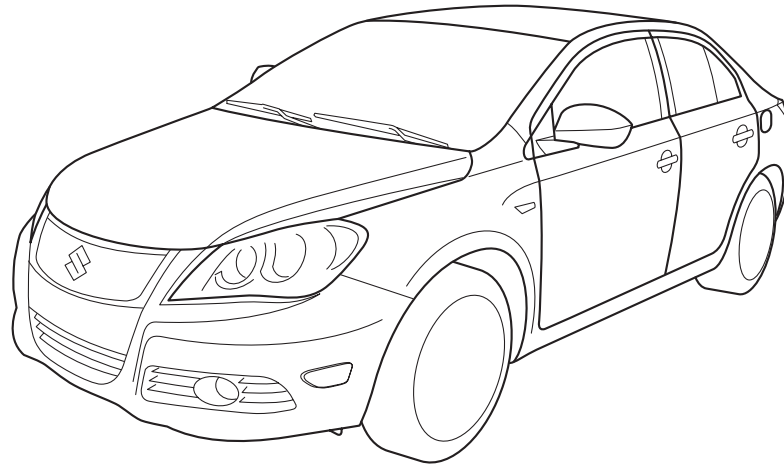
OWNER'S MANUAL

**Keep With Vehicle At All Times.
Contains Important Information
On Safety, Operation & Maintenance.**



Way of Life!

This owner's manual applies to the KIZASHI series:



57L1F001

NOTE: The illustrated model is one of the KIZASHI series.

© 2009 **SUZUKI MOTOR CORPORATION** All rights reserved.

No part of this document may be reproduced or transmitted in any form or by any means, electronic or mechanical, for any purpose, without the express written permission of Suzuki Motor Corporation.

FOREWORD

All information in this manual is based on the latest product information available at the time of publication. Due to improvements or other changes, there may be discrepancies between information in this manual and your vehicle.

SUZUKI MOTOR CORPORATION reserves the right to make production changes at any time, without notice and without incurring any obligation to make the same or similar changes to vehicles previously built or sold.

SUZUKI MOTOR CORPORATION believes in conservation and protection of Earth's natural resources.

To that end, we encourage every vehicle owner to recycle, trade in, or properly dispose of, as appropriate, used motor oil, coolant, and other fluids, batteries and tires.

IF YOU HAVE ANY PROBLEMS WITH YOUR SUZUKI:

Please review the New Vehicle Warranty Information booklet supplied with your SUZUKI. Should you have a question or problem regarding the warranty or service of your vehicle, please take the following action:

Consult the Service Manager and the Owner of the Suzuki Automotive Dealership. Explain your problem and ask for their assistance in resolving your problem. The Owner of the dealership is in the very best position to assist you as he or she is vitally concerned with your continued satisfaction.

If, after doing so, you still require further assistance, and you purchased your SUZUKI in the continental United States, please contact the American Suzuki Customer Relations Department by telephone at 1-800-934-0934 or in writing at:

American Suzuki Motor Corporation
Automotive Customer Relations
3251 East Imperial Highway
Brea, CA 92821-6795

If you purchased your SUZUKI in Canada please contact the Suzuki Canada Customer Relations Department by telephone at 1-905-889-2677 extension 2254 or in writing at:

Suzuki Canada Inc.
Customer Relations
100 East Beaver Creek Road
Richmond Hill, On
L4B 1J6

In the event you require assistance related to your SUZUKI, while temporarily traveling in either the United States or Canada, you may wish to contact the Suzuki Customer Relations Department directly of the country in which you are temporarily operating your vehicle.

Please be certain to provide us with the following information: the model, Vehicle Identification Number, mileage, accessories involved, event dates, your concern, and any other comments which you may have. When we receive your correspondence, we will be pleased to contact the Owner of your dealership and assist in resolving your concern.

For owners outside the continental United States, please refer to the distributor's address listed in your Warranty Information booklet.

SUZUKI MOTOR CORPORATION

IMPORTANT

▲ WARNING/CAUTION/NOTE

Please read this manual and follow its instructions carefully. To emphasize special information, the symbol ▲ and the words **WARNING**, **CAUTION** and *NOTE* have special meanings. Pay special attention to the messages highlighted by these signal words:

▲ WARNING

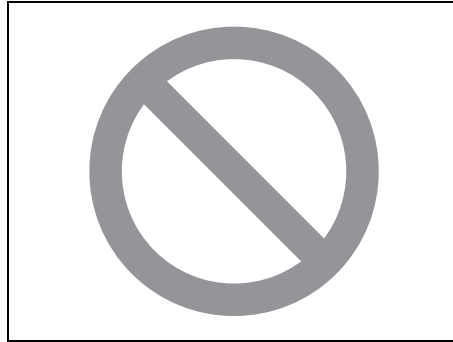
Indicates a potential hazard that could result in death or injury.

CAUTION

Indicates a potential hazard that could result in vehicle damage.

NOTE:

Indicates special information to make maintenance easier or instructions clearer.



75F135

The circle with a slash in this manual means “Don’t do this” or “Don’t let this happen”.

MODIFICATION WARNING

▲ WARNING

Do not modify this vehicle. Modification could adversely affect safety, handling, performance or durability and may violate governmental regulations. In addition, damage or performance problems resulting from modification may not be covered under warranty.

CAUTION

Improper installation of mobile communication equipment such as cellular telephones or CB (Citizen’s Band) radios may cause electronic interference with your vehicle’s ignition system, resulting in vehicle performance problems. Consult your SUZUKI dealer or qualified service technician for advice on installing such mobile communication equipment.

LEAK DETECTION PUMP

NOTE:

Your vehicle has a pump to regularly check the vehicle's evaporative emission control system for leaks. This check is performed approximately five hours after the engine is turned off. During this leak check, you may hear a sound coming from the vehicle for several minutes. This sound is normal and does not indicate a malfunction.

MEMO

A series of horizontal dashed lines for writing.

INTRODUCTION

Thank you for choosing SUZUKI and welcome to our growing family. Your choice was a wise one; SUZUKI products are a great value that will give you years of driving pleasure.

This Owner's Manual was prepared to help you have a safe, enjoyable, and trouble-free experience with your SUZUKI. In it you will learn about the vehicle's operation, its safety features and maintenance requirements. Please read it carefully before operating your vehicle. Afterwards, keep this Manual in the glove box for future reference.

Should you resell the vehicle, please leave this Manual with it for the next owner.

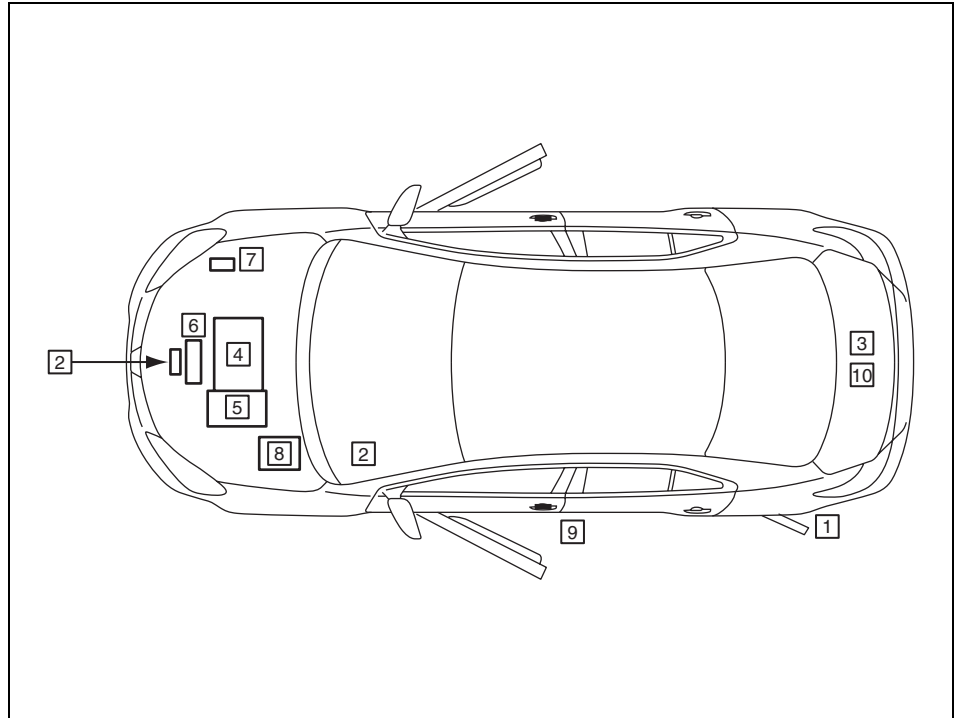
In addition to the Owner's Manual, the other booklets provided with your SUZUKI explain the vehicle's warranties. We recommend you read them as well to familiarize yourself with this important information.

When planning the regular scheduled maintenance of your SUZUKI, we recommend you visit your local SUZUKI dealership. Their factory-trained technicians will provide the best possible service and use only genuine SUZUKI parts and accessories.

SUZUKI MOTOR CORPORATION

SERVICE STATION GUIDE

1. Fuel (see section 1)
2. Engine hood (see section 5)
3. Tire changing tools (see section 8)
4. Engine oil dipstick <Yellow> (see section 7)
5. CVT fluid dipstick <Red or Orange> (see section 7)
6. Engine coolant (see section 7)
7. Windshield washer fluid (see section 7)
8. Battery (see section 7)
9. Tire pressure (see Tire Information Label on driver's door lock pillar)
10. Spare tire (see section 7)



57L1F002

TABLE OF CONTENTS

California Proposition 65 Warning

⚠ WARNING

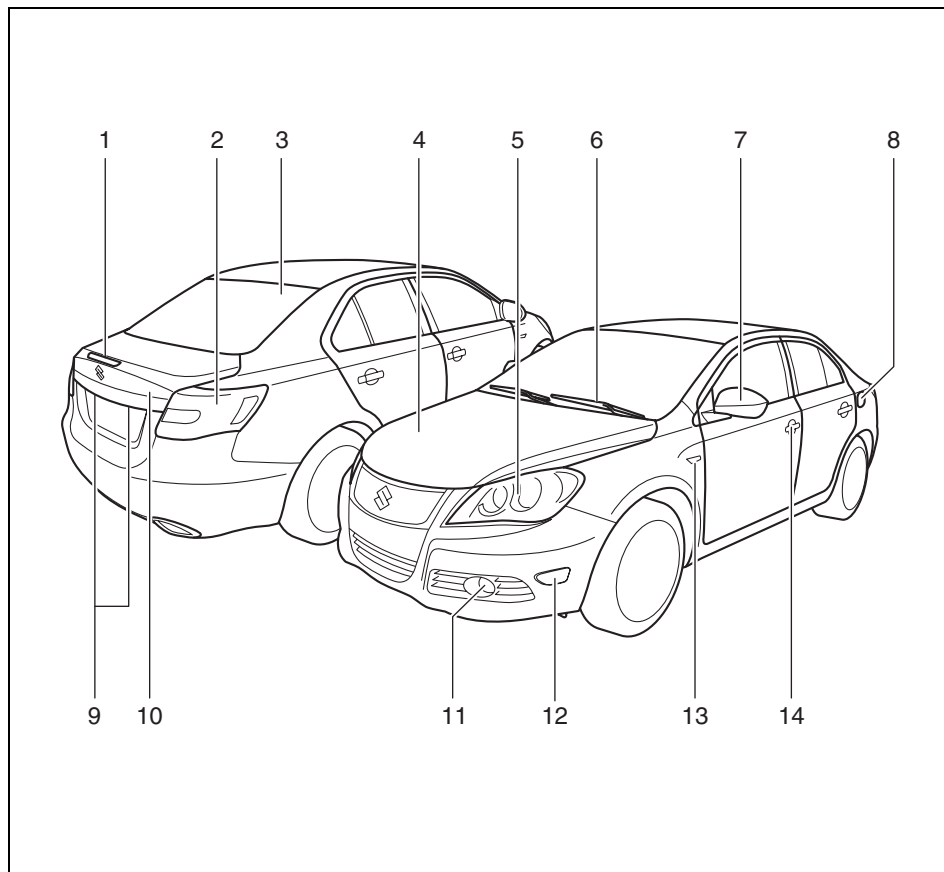
Engine exhaust, some of its constituents, and certain product components contain or emit chemicals known to the State of California to cause cancer and birth defects or other reproductive harm.

FUEL RECOMMENDATION	1
BEFORE DRIVING	2
OPERATING YOUR VEHICLE	3
DRIVING TIPS	4
OTHER CONTROLS AND EQUIPMENT	5
VEHICLE LOADING AND TOWING	6
INSPECTION AND MAINTENANCE	7
EMERGENCY SERVICE	8
APPEARANCE CARE	9
GENERAL INFORMATION	10
FUSES AND PROTECTED CIRCUITS	11
SPECIFICATIONS	12
INDEX	13

ILLUSTRATED TABLE OF CONTENTS

EXTERIOR

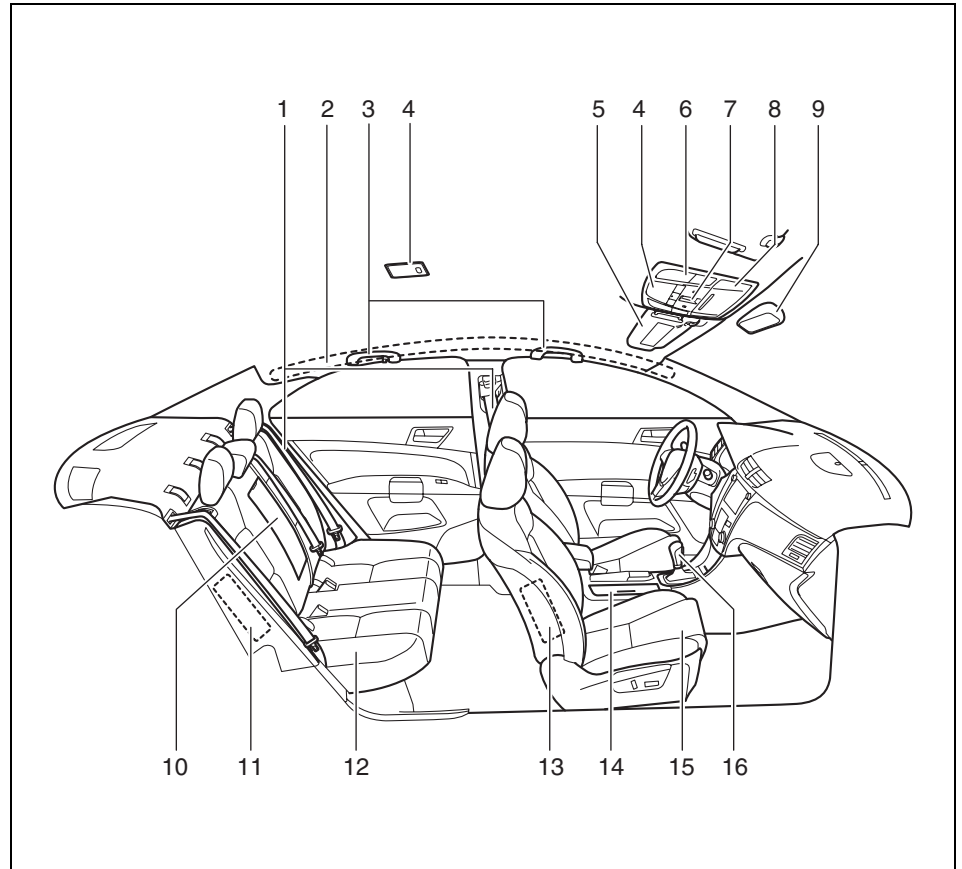
1. High-mount Stop Light (P.12-3)
2. Rear Combination Light (P.7-53)
3. Radio Antenna (P.5-9)
4. Engine Hood (P.5-75)
5. Headlight (P.2-100, P.7-46)
6. Windshield Wiper (P.2-107)
7. Outside Rearview Mirror (P.2-22)
8. Fuel Filler Cap (P.5-74)
9. License Plate Light (P.7-53)
10. Trunk Lid (P.2-5)
11. Front Fog Light (if equipped)
(P.2-105, P.7-50)
12. Side Marker Light (P.7-51)
13. Side Turn Signal Light (P.7-50)
14. Door Locks (P.2-3)



57L1F003

INTERIOR

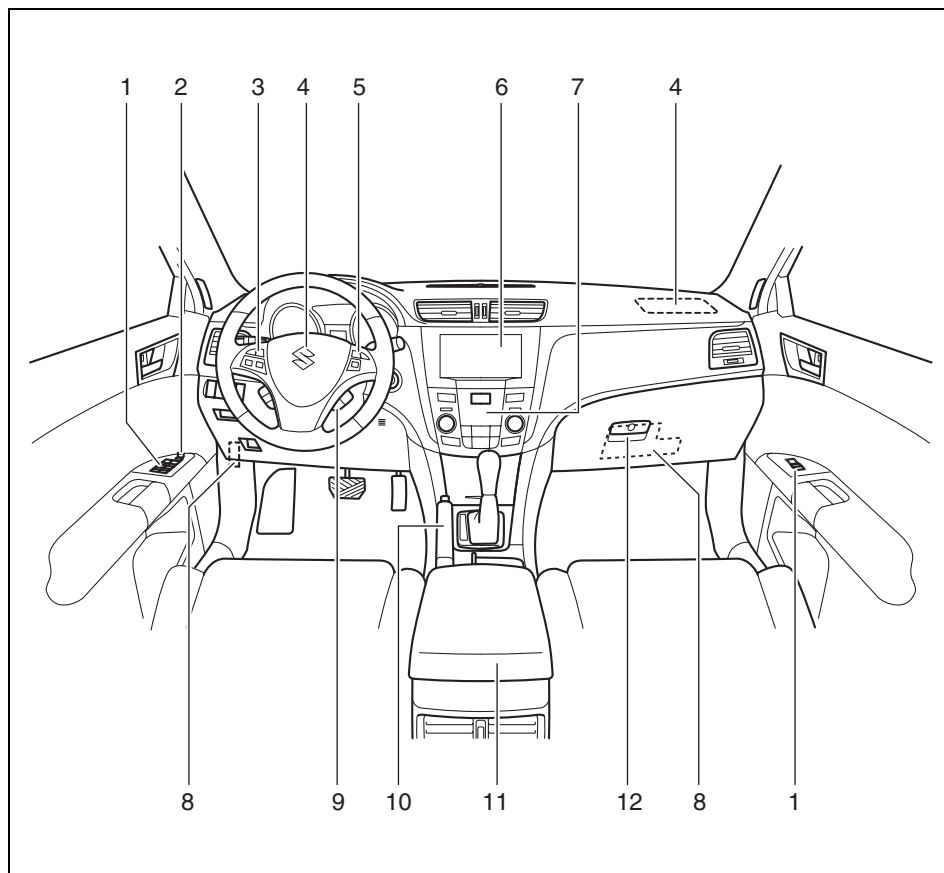
1. Seat Belts (P.2-34)
2. Side Curtain Air Bags (P.2-59)
3. Assist Grip (P.5-82)
4. Interior Light (P.5-78, P.7-45)
5. Sun Visor (P.5-77)
6. Spot Light (P.5-80, P.7-46)
7. Sunroof switch (if equipped) (P.5-83)
8. Overhead Console (P.5-86)
9. Inside Rearview Mirror (if equipped) (P.2-20)
10. Armrest (P. 5-90)/Cup Holder (P.5-87)
11. Rear Side Air Bags (P.2-59)
12. Rear Seat (P.2-29)
13. Front Side Air Bags (P.2-59)
14. Cup Holder (P.5-87)
15. Front Seats (P.2-23)
16. Gearshift Lever (P.3-13)



ILLUSTRATED TABLE OF CONTENTS

INSTRUMENT PANEL

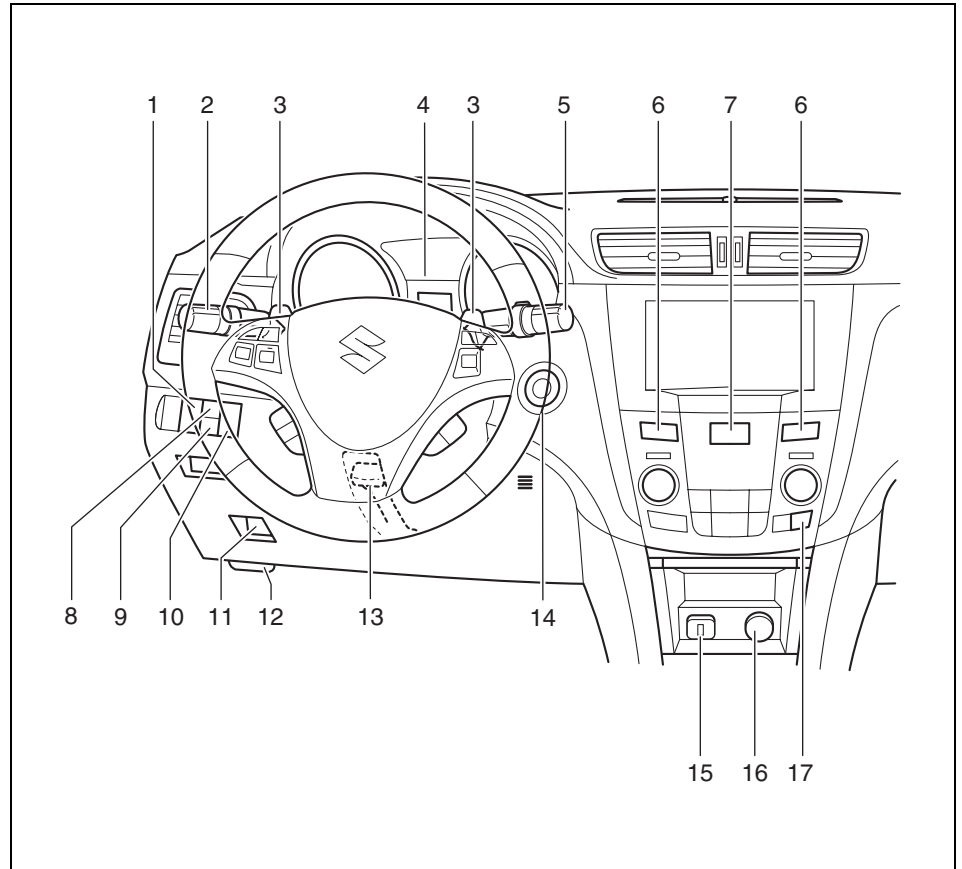
1. Power Window Controls (P.2-17)/
Lock switch (P.2-18)
2. Power Mirror Control (P.2-22)
3. Remote Audio Controls (P.5-64)
4. Front Air Bags (P.2-57)
5. Cruise Control Switch (if equipped)
(P.3-21)
6. Audio (P.5-10)
7. Heating and Air Conditioning System
(P.5-1)
8. Fuse Box (P.7-40)
9. Information display switches (P.2-80)
10. Parking Brake Lever (P.3-10)
11. Center Console Box (P.5-89)/
Accessory Socket (P.5-80)
12. Glove Box (P.5-85)



57L1F005

INSTRUMENT PANEL

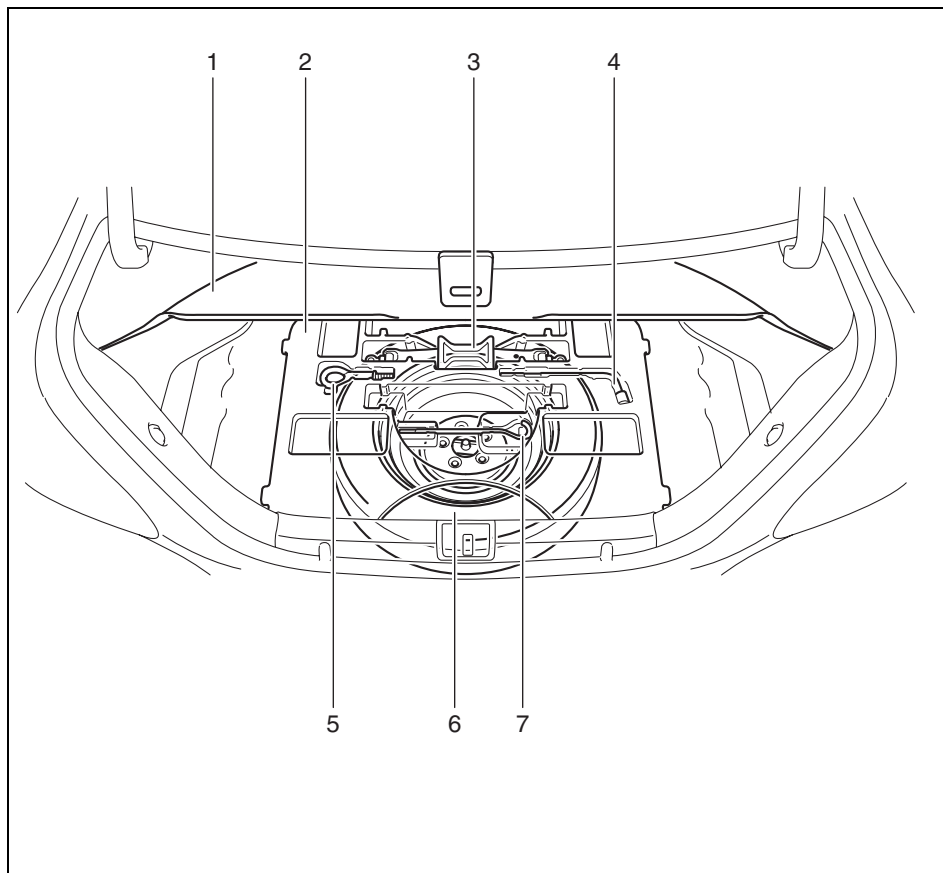
1. Front Fog Light Switch (if equipped) (P.2-105)
2. Lighting Control Lever (P.2-100)/
Turn Signal Control Lever (P.2-105)
3. Shift Paddles (if equipped) (P.3-17)
4. Instrument Cluster (P.2-68)
5. Windshield Wiper and Washer Lever (P.2-107)
6. Front Seat Heater Switch (if equipped) (P.2-28)
7. Hazard Warning Switch (P.2-106)
8. ESP® OFF Switch (P.3-33)
9. Parking Sensor Switch (if equipped) (P.3-26)
10. 2WD/i-AWD (intelligent All Wheel Drive) Switch (if equipped) (P.3-19)
11. Trunk lid unlatch switch (P.2-5)
12. Engine Hood Release Handle (P.5-75)
13. Tilt/Telescoping/Steering Lock Lever (P.2-110)
14. Engine Switch (P.3-2)
15. Universal Serial Bus (USB) Socket (P.5-81)
16. Accessory Socket (P.5-80)/
Cigarette Lighter (if equipped) (P.5-81)
17. Heated Rear Window and Heated Outside Rearview Mirrors Switch (if equipped) (P.2-111)



ILLUSTRATED TABLE OF CONTENTS

TIRE CHANGING TOOL

1. Floorboard (P.8-1)
2. Luggage under-box (P.8-1)
3. Jack (P.8-1)
4. Wheel Brace (P.8-1)
5. Tow hook (P.5-96)
6. Spare Tire (P.7-34, P.8-1)
7. Jack Handle (P.8-1)

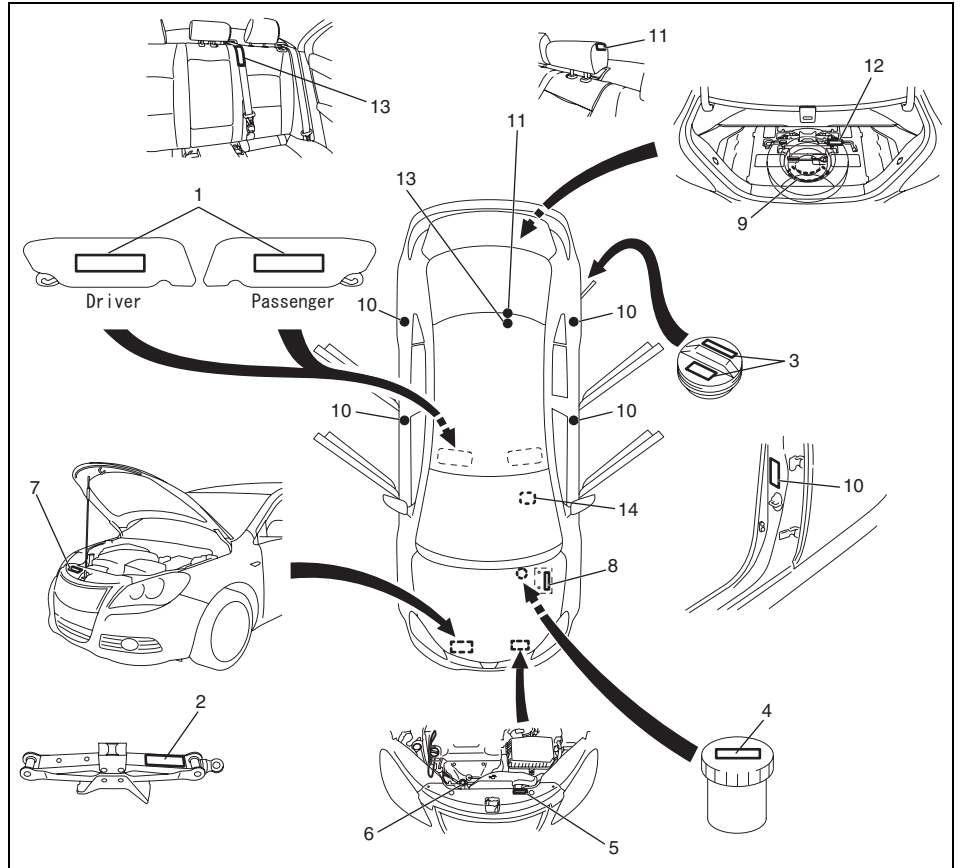


57L1F007

LOCATION OF WARNING MESSAGES

Read and follow all of the warnings (labels etc.) on your vehicle. Make sure you understand all of them. Keep them on the vehicle. Do not remove the messages for any reason. If a label comes off or the messages become difficult to be read, have it corrected by your SUZUKI dealer.

1. Air bag warning labels
(on both sun visors)
2. Jacking warning label
3. Fuel filler cap message
4. Brake fluid cap message
5. Engine cooling fan warning label
6. Radiator cap warning label
7. Air conditioner warning label
8. Battery label
9. Compact spare tire warning label
(if equipped)
10. Side air bag warning label
11. Rear center head restraint warning label
12. Jacking instruction warning label
13. Rear center seat belt warning label
14. Floor mat warning label (if equipped)



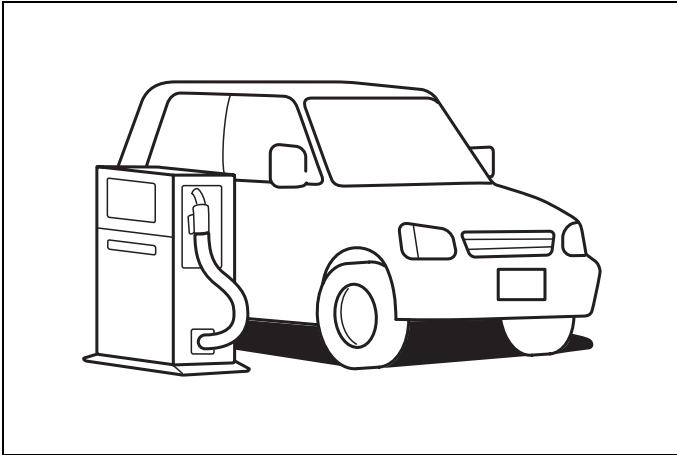
57L1F008

MEMO

A series of horizontal dashed lines for writing.

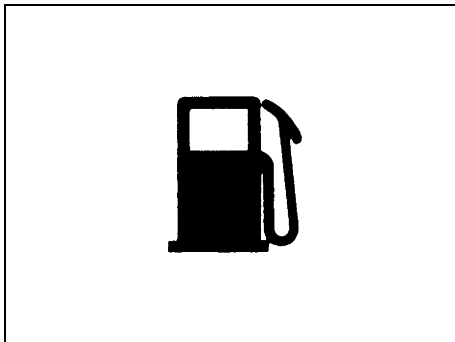
FUEL RECOMMENDATION

Fuel Recommendation 1-1



65D394

Fuel Recommendation



60A004

Your vehicle requires regular unleaded gasoline with a minimum rating of 87 pump octane ((R + M)/2 method). In some areas, the only fuels that are available are oxygenated fuels.

Oxygenated fuels which meet the minimum octane requirement and the requirements described below may be used in your vehicle without jeopardizing the New Vehicle Limited Warranty.

NOTE:

Oxygenated fuels are fuels which contain oxygen-carrying additives such as MTBE or alcohol.

Gasoline Containing MTBE

Unleaded gasoline containing MTBE (methyl tertiary butyl ether) may be used in your vehicle if the MTBE content is not greater than 15%. This oxygenated fuel does not contain alcohol.

Gasoline/Ethanol blends

Blends of unleaded gasoline and ethanol (grain alcohol), also known as gasohol, may be used in your vehicle if the ethanol content is not greater than 10%.

Gasoline/Methanol blends

Fuels containing 5% or less methanol (wood alcohol) may be suitable for use in your vehicle if they contain cosolvents and corrosion inhibitors. Do NOT USE fuels containing more than 5% methanol under any circumstances. Fuel system damage or vehicle performance problems resulting from the use of such fuels are not the responsibility of SUZUKI and may not be covered under the New Vehicle Limited Warranty.

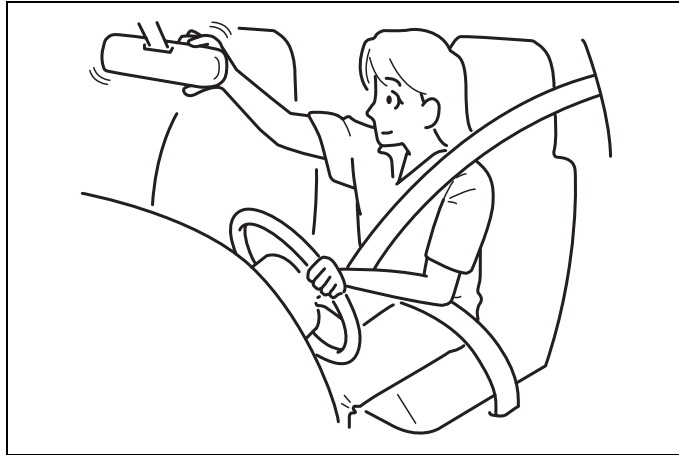
Fuel Pump Labeling

In some states, pumps that dispense oxygenated fuels are required to be labeled for the type and percentage of oxygenate and whether important additives are present. Such labels may provide enough information for you to determine if a particular blend of fuel meets the requirements listed above. In other areas, pumps may not be clearly labeled as to the content or type of oxygenate and additives. If you are not sure that the fuel you intend to use meets these requirements, check with the service station operator or the fuel supplier.

NOTE:

To help clean the air, SUZUKI recommends you use the oxygenated fuels. However, if you are not satisfied with the driveability or fuel economy of your vehicle when you are using an oxygenated fuel, switch back to the regular unleaded gasoline.

CAUTION
Be careful not to spill fuel containing alcohol while refueling. If fuel is spilled on the vehicle body, wipe it up immediately. Fuels containing alcohol can cause paint damage, which is not covered under the New Vehicle Limited Warranty.



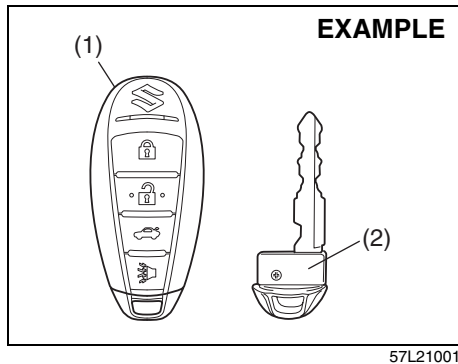
60G404

BEFORE DRIVING

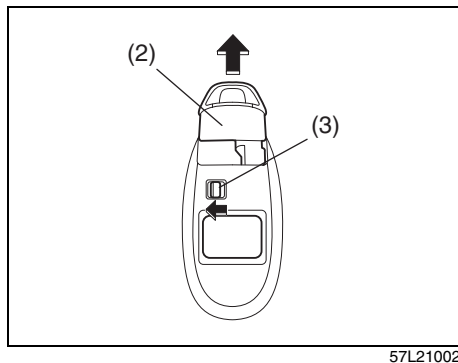
Keys	2-1
Immobilizer System	2-2
Door Locks	2-3
Keyless Start System Remote Controller	2-6
Theft Deterrent Alarm System	2-14
Windows	2-17
Mirrors	2-20
Front Seats	2-23
Front Seat Heater (if equipped)	2-28
Rear Seats	2-29
Seat Belts and Child Restraint Systems	2-34
Supplemental Restraint System (air bags)	2-55
Instrument Cluster	2-68
Warning and Indicator Lights	2-69
Speedometer	2-78
Tachometer	2-78
Fuel Gauge	2-78
Temperature Gauge	2-79
Brightness Control	2-79
Information Display	2-80
Lighting Control Lever	2-100
Front Fog Light Switch (if equipped)	2-105
Turn Signal Control Lever	2-105
Hazard Warning Switch	2-106
Rain-sensing Wipers and Washer Lever	2-107
Tilt/Telescoping/Steering Lock Lever (if equipped)	2-110
Horn	2-111
Heated Rear Window and Heated Outside Rearview Mirrors (if equipped) Switch	2-111

BEFORE DRIVING

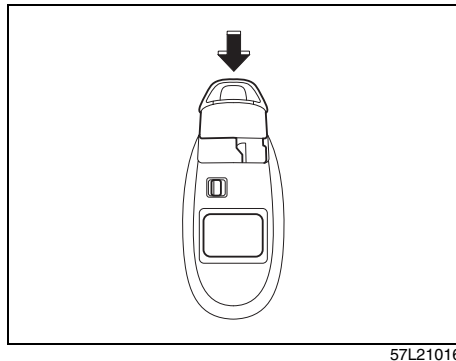
Keys



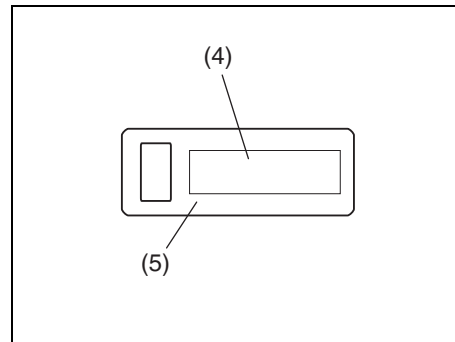
Your vehicle comes with two identical keyless start system remote controllers (1), each with a detachable key (2) housed inside.



To remove the key from the remote controller, slide the lock (3) in the direction of the arrow and pull out the key.



To stow the key into the remote controller, push the key in the remote controller until you hear a click.



The key identification number (4) is stamped on a metal tag (5) provided with the keys. Keep the tag in a safe place. If you lose your keys, you will need this number to have new keys made. Write the number below for your future reference.

KEY NUMBER:

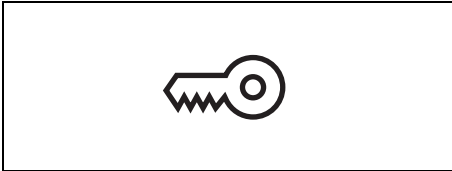
Immobilizer System

⚠ WARNING

Never leave the keyless start system remote controller in the vehicle when leaving the vehicle.

The immobilizer system is an anti-theft feature, which checks whether the keyless start system remote controller that is communicating via radio waves with the vehicle has been registered to the vehicle's keyless start system. If the remote controller is not a registered one, the system will refuse to start the engine using it.

Immobilizer/Keyless Start System Warning Light



85K2210

This light is on the instrument cluster.

- When you press the engine switch to change the ignition mode to "ON", the light comes on briefly so you can check that the light is working. If the light is flashing, the engine cannot be started.
- The light also flashes when the "remote controller outside" warning works.

NOTE:

- The immobilizer/keyless start system is normal if this light goes out in 2 seconds after pressing the engine switch to change the ignition mode to "ON". If the light fails to go out in this period, there is something wrong with the system. There is also a problem with the system if the light remains on for 5 seconds after the engine switch is pressed when the switch is in any other ignition mode than "ON".
- Illumination or flashing of the light may be accompanied by a message on the information display in the instrument cluster.

NOTE:

- If you lose your keyless start system remote controller, see your SUZUKI dealer as soon as possible to have the lost one deactivated, then have the new remote controller made by them.
- If you own other vehicles with keyless start system remote controller, keep those remote controllers away from the engine switch when using your SUZUKI, or the engine may not be started because they may interfere with your SUZUKI's immobilizer system.
- In case of attaching any metal objects to the keyless start system remote controller, it may not start the engine.

CAUTION

The keyless start system remote controller is a sensitive electronic instrument. To avoid damaging the keyless start system remote controller:

- Do not expose it to impacts, moisture or high temperature such as on the dashboard under direct sunlight.
- Keep the keyless start system remote controller away from magnetic objects.

1. For USA

This device complies with Part 15 of the FCC Rules. Operation is subject to the following two conditions:

- (1) this device may not cause harmful interference, and (2) this device must accept any interference received, including interference that may cause undesired operation.

NOTE:

Changes or modifications not expressly approved by the party responsible for compliance could void the user's authority to operate the equipment.

BEFORE DRIVING

2. For Canada

This device complies with Industry Canada Standard RSS-210. Operation is subject to the following two conditions:

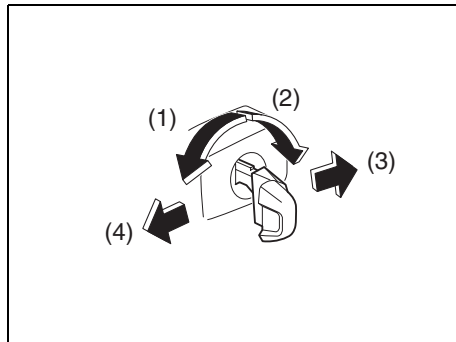
(1) this device may not cause interference, and (2) this device must accept any interference, including interference that may cause undesired operation of the device.

Door Locks

WARNING

Always lock all doors when driving. Locking the doors helps to prevent occupants from being thrown from the vehicle in the event of an accident. It also helps prevent unintended opening of the doors.

Side Door Locks



57L21004

- (1) LOCK
- (2) UNLOCK
- (3) Rear
- (4) Front

To lock a driver's door from outside the vehicle:

- Insert the key and turn the top of the key toward the front of the vehicle, or

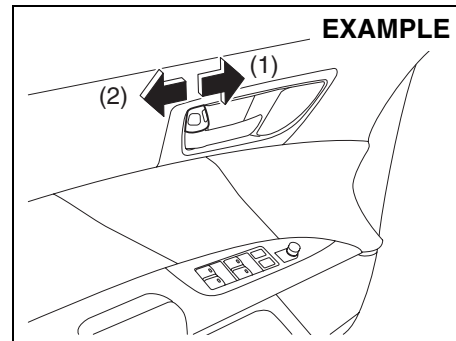
- Turn the lock knob forward, then pull and hold the door handle as you close the door.

To lock a passenger's door from outside the vehicle, turn the lock knob forward, then pull and hold the door handle as you close the door.

NOTE:

If the remote controller is left within the "inside sensing area", the locking of the front doors will be cancelled.

To unlock a driver's door from outside the vehicle, insert the key and turn the top of the key toward the rear of the vehicle.



57L21005

- (1) LOCK
- (2) UNLOCK

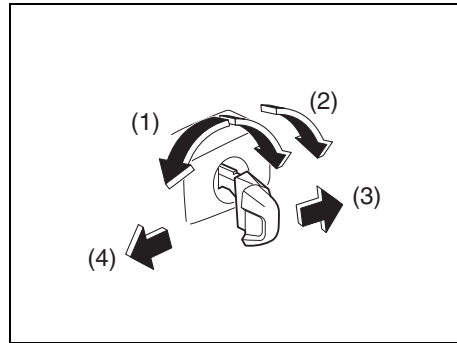
To lock a door from inside the vehicle, turn the lock knob forward. Turn the lock knob rearward to unlock the door.

To lock a rear door from outside the vehicle, turn the lock knob forward and close the door. You do not need to pull and hold the door handle as you close the door.

Power Door Locking System

You can lock and unlock all the doors simultaneously by:

- Turning the key in a driver's door lock, or
- Pushing the power door locking switch located on the driver's side or the front passenger's side door panel.



57L21006

- (1) LOCK
- (2) UNLOCK
- (3) Rear
- (4) Front

(when using the key)

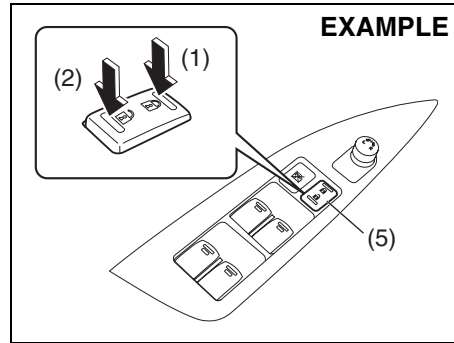
To lock all the doors simultaneously, insert the key in a driver's door lock and turn the

top of the key toward the front of the vehicle once.

To unlock all the doors simultaneously, insert the key in a driver's door lock and turn the top of the key toward the rear of the vehicle twice.

To unlock only one of the driver's doors, insert the key in that door lock and turn the top of the key toward the rear of the vehicle once.

Driver's side

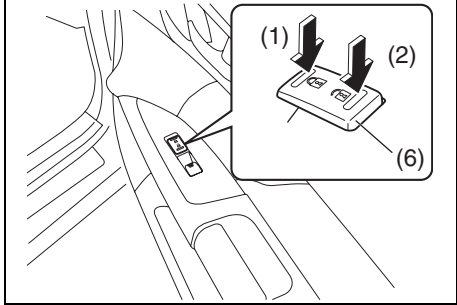


57L21007

- (1) LOCK
- (2) UNLOCK

Front passenger's side

EXAMPLE



57L21008

- (1) LOCK
- (2) UNLOCK

(when using the power door locking switch)

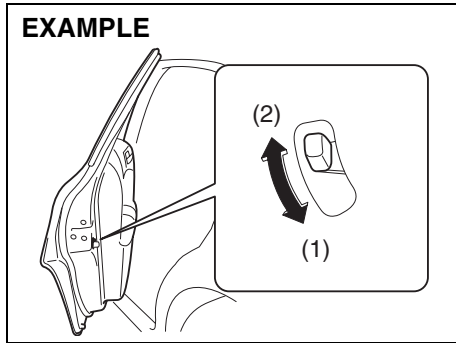
To lock or unlock all the doors simultaneously, depress the front or rear of the switch (5) or (6), respectively.

NOTE:

- You can also lock or unlock all doors by operating the remote controller. Refer to "Keyless Start System Remote Controller" in this section.
- You can also lock or unlock all doors by pushing the request switch on the door handle. Refer to "Keyless Start System Remote Controller" in this section.

BEFORE DRIVING

Child Lock System (rear doors)



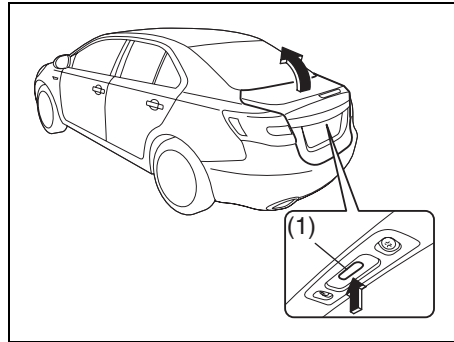
- (1) LOCK
- (2) UNLOCK

Each of the rear doors is equipped with a child lock which can be used to help prevent unwanted opening of the door from inside the vehicle. When the lock lever is in the “LOCK” position (1), the rear door can only be opened from outside. When the lock lever is in the “UNLOCK” position (2), the rear door can be opened from inside or outside.

WARNING

Be sure to place the child lock in the “LOCK” position whenever children are seated in the rear.

Trunk Lid



To open the trunk lid, lift it while pressing the trunk lid request switch (1).

The trunk lid request switch (1) operates when the keyless start system remote controller is within the switch's operating range.

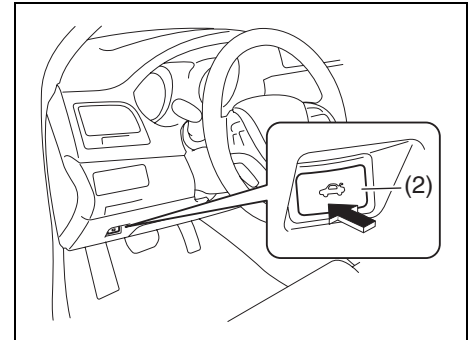
If the remote controller is within the operating range, you can also unlatch and let the trunk lid slightly open by holding the “TRUNK LID UNLOCK” button on the remote controller pressed for more than 1 second. Refer to “Keyless Start System Remote Controller” in this section.

The trunk lid request switch (1) operates only to open the trunk lid.

If you close the trunk lid with the keyless start system remote controller left in the trunk with all the doors locked, the trunk will be automatically unlatched.

CAUTION

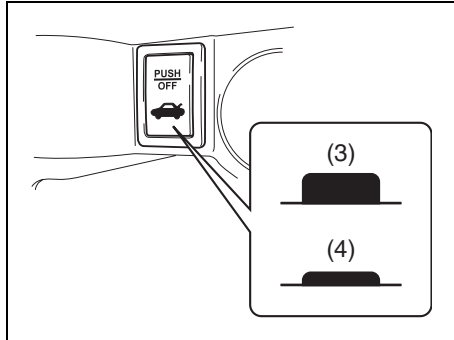
Check that you have the remote controller whenever you close the trunk lid, or there is a risk of leaving the remote controller inside the closed trunk lid.



You can unlock the lid by pushing the trunk lid unlatch switch (2).

WARNING

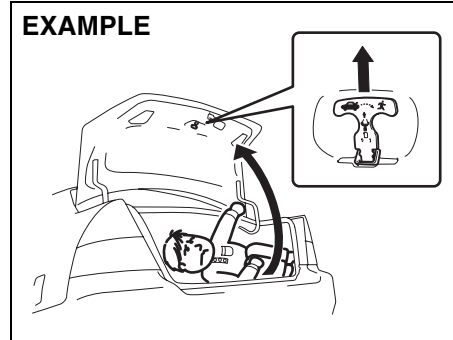
Always make sure that the trunk lid is closed and latched securely. Otherwise, it may open unexpectedly while driving. Completely closing it also helps keep exhaust gases from entering the car.

Trunk Lid Lock Switch (if equipped)

57L21061

- (3) UNLOCK
(4) LOCK

This switch is inside the glove box. If this switch is pushed to the down position, the trunk lid is locked and cannot be opened. Push the switch again to unlock the lid.

Internal Trunk Release

57L21012

There is a release lever located inside the trunk, on the rear part of the trunk lid. This lever is for emergency use so that if a person, such as a child, gets trapped in the trunk compartment, he can exit the vehicle. The lever glows in the dark, after a brief exposure to ambient light, so it can be found easily. It is operated by pulling it in the direction of the arrow.

⚠ WARNING

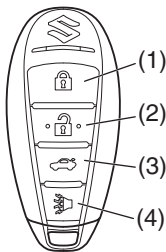
To help avoid situations where someone might get trapped in the trunk, keep your vehicle locked when unattended, and do not allow anyone to play in the trunk.

Keyless Start System Remote Controller**Keyless Start System Remote Controller**

The remote controller enables the following operations:

- You can lock or unlock the doors by operating the LOCK/UNLOCK buttons on the remote controller. Refer to the explanation in this section.
- You can lock or unlock the doors by pushing the request switch on the door handle. For details, refer to the explanation in this section.
- You can unlatch and let the trunk lid slightly open by pushing and holding the “TRUNK LID UNLOCK” button on the remote controller. Refer to the explanation in this section.

EXAMPLE



57L21013

- (1) "LOCK" button
- (2) "UNLOCK" button
- (3) "TRUNK LID UNLOCK" button
- (4) "PANIC" button

"LOCK" button (1) / "UNLOCK" button (2) function

You can lock or unlock all doors simultaneously by operating the remote controller near the vehicle.

- To lock the doors, push the "LOCK" button (1).
- To unlock the driver's door, push the "UNLOCK" button (2) once.
- To unlock other doors, wait a second or two, then push the "UNLOCK" button (2) a second time. If you "double-click" too fast, the doors will not unlock.

The turn signal lights will flash once when the doors are locked.

When the doors are unlocked:

- The turn signal lights will flash twice.
- If the interior light switch is in the "DOOR" position, the interior light will turn on for about 15 seconds and then fade out. If you press the engine switch during this time, the light will start to fade out immediately.

Be sure the doors are locked after you operate the "LOCK" button (1).

If no door is opened within about 30 seconds after the "UNLOCK" button (2) is operated, the doors will automatically lock again.

NOTE:

- *The maximum operating distance of the remote controller is about 5 m (16 ft.), but this can vary depending on the surroundings, especially near other transmitting devices such as radio towers or CB (Citizen's Band) radios.*
- *The door locks cannot be operated with the remote controller if the ignition mode has been changed to "LOCK" (OFF) with the engine switch, or if any door is open. If any door is open, you cannot lock the door by operating the remote controller, however ç | ää\ unlock the door.*
- *You cannot lock the door unless all of the door are closed completely.*
- *If you lose one of the remote controllers, ask your SUZUKI dealer as soon as possible for a replacement. Be sure to have your dealer program the new remote*

controller code in your vehicle's memory so that the old code is erased.

"TRUNK LID UNLOCK" button (3) function

Push and hold the "TRUNK LID UNLOCK" button pressed for more than 1 second; the trunk lid will be unlatched and open slightly.

NOTE:

The trunk lid cannot be operated with the remote controller if the engine switch is in any other ignition mode than "LOCK" (OFF).

"PANIC" button (4) function

This function is to get the attention of others.

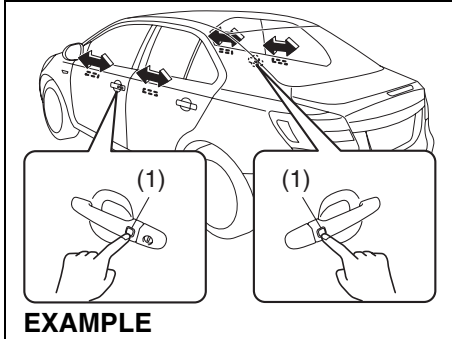
Press the "PANIC" button (4) for more than 1 second. The headlights and taillights will blink for about 30 seconds. Also, the horn will sound intermittently for about 30 seconds at the same time.

To cancel the "PANIC" mode, press any button (PANIC, LOCK, UNLOCK or TRUNK LID UNLOCK) on the remote controller. You can also press the engine switch to cancel the "PANIC" mode.

NOTE:

The "PANIC" button function will not activate when you have changed the ignition mode to "ACC" by pressing the engine switch.

Keyless unlocking/locking using the request switches



57L21014

When the remote controller is within the operating range described in this section, you can lock or unlock the doors by pushing the request switch (1) on the door handle of the driver's door or front passenger's door.

To lock all doors when all doors are unlocked:

- Push the request switch on one of the door handles once.

The turn signal lights will flash once when the doors are locked.

To unlock a door or all doors:

- Push the request switch on the door handle once to unlock only one door.
- Push the request switch on the door handle twice to unlock all doors.

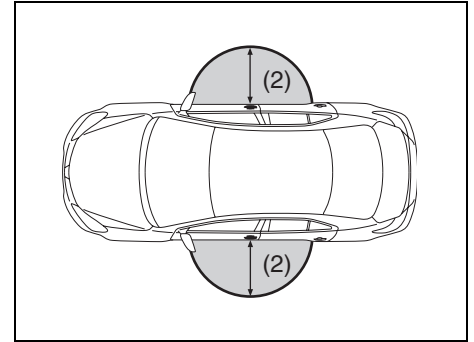
When the doors are unlocked:

- The turn signal lights will flash twice.
- If the interior light switch is in the "DOOR" position, the interior light will turn on for about 15 seconds and then fade out. If you press the engine switch during this time, the light will start to fade out immediately.

Be sure the doors are locked after you operate the request switch to lock the doors.

NOTE:

- *The door locks cannot be operated by the request switch under the following conditions:*
 - *If any door is open or is not completely closed.*
 - *If the ignition mode has been changed to "LOCK" (OFF) by pressing the engine switch.*
- *If no doors are opened within about 30 seconds after unlocking the doors by pushing the request switch, the doors will be locked again automatically.*



57L21015

(2) 80 cm (2 1/2 feet)

When the remote controller is within approximately 80 cm (2 1/2 feet) from a front door handle, you can lock or unlock the doors by pushing the request switch.

NOTE:

- If the remote controller is outside the request switch operating range described above, you will not be able to operate the request switch.
- If the battery of the remote controller runs down or there are strong radio waves or noise, the request switch operating range may be reduced or the remote controller may be inoperative.
- If the remote controller is too close to the door, the request switches may not operate.
- If a spare remote controller is in the vehicle, the request switches may not operate normally.
- The remote controller will only operate a request switch if it is within the switch's operating range. For example, if the remote controller is within the operating range of the driver's door request switch but not the front passenger's door request switch, the driver's door switch can be operated but the front passenger's door switch cannot be operated.

CAUTION

The remote controller is a sensitive electronic instrument. To avoid damaging the remote controller:

- **Do not expose it to impacts, moisture or high temperature such as by leaving it on the dashboard under direct sunlight.**
- **Keep the remote controller away from magnetic objects such as a television.**

NOTE:

The keyless start system may not function correctly in certain environments or under certain operating conditions such as the following:

- When there are strong signals coming from a television, power station or a cellular phone.
- When the remote controller is in contact with or covered by a metal object.
- When a radio wave type remote keyless entry is used nearby.
- When the remote controller is placed near an electronic device such as personal computer.

Some additional precautions you should take and information you should be aware of are:

- Make sure the key is stowed in the remote controller. If the remote controller becomes unreliable, you will not be able to lock or unlock the doors, or start the engine.
- Be sure that the driver always carries the remote controller.
- If you lose one of the remote controllers, ask an authorized SUZUKI dealer as soon as possible for a replacement. Be sure to have your dealer program the new remote controller code in your vehicle's memory so that the old code is erased, or perform the programming procedure yourself according to the instructions in this section.
- You can use up to four remote controllers and keys for your vehicle. Ask an authorized SUZUKI dealer for details.
- The battery life of the remote controller is about two years, but it can vary depending on usage conditions.

Request Switch Warning Buzzer

This outside buzzer beeps for about 2 seconds in the following conditions to warn you that the request switch is not working:

- The request switch is pressed after all doors are closed with the ignition mode changed to "ACC" or "ON" by pressing the engine switch.
- The request switch is pressed in any of the following conditions after changing the ignition mode to "LOCK" (OFF) by pressing the engine switch.
 - The remote controller is left inside the vehicle.
 - Any of the doors is open.

Press the request switch again after doing the following:

With the ignition mode changed to "LOCK" (OFF) by pressing the engine switch, bring out the remote controller if it is inside the vehicle and check that all doors are completely closed.

Remote Controller Reminder Function

When you lock a door without using the key, this function prevents it from being locked if the remote controller is left inside the vehicle.

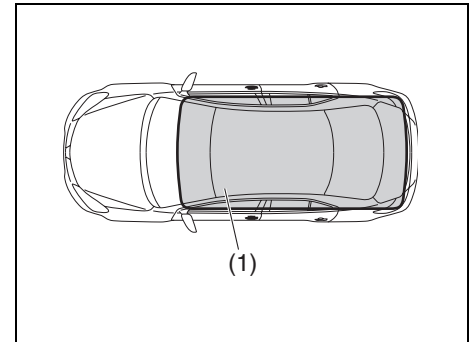
With the remote controller inside the vehicle, locking of the driver's and passenger's doors made with the power door locking system or door lock knobs will be cancelled if either of the doors is open.

NOTE:

- *Whenever you lock a door without using the key, check that you have the remote controller with you. This is a good habit to prevent locking a door with the remote controller left behind.*
- *The remote controller reminder function is activated when you press the engine switch to change the ignition mode to "ACC" or "ON" anywhere the remote controller is placed.*

Vehicle Inside Area Where Request Switch Warning Buzzer/Remote Controller Reminder Function Works

Inside the vehicle, the remote controller may be located in any place within the indicated "inside sensing area" (1) (not including the instrument panel top and trunk) for the request switch warning buzzer/remote controller reminder function to work.



57L21017

BEFORE DRIVING

NOTE:

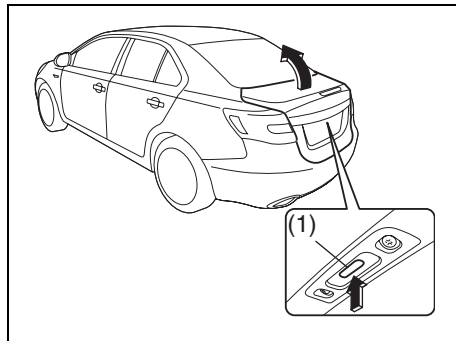
- Even with the remote controller within the “inside sensing area”, the request switch warning buzzer/remote controller reminder function may not work under any of the following conditions as the presence of the remote controller may not be sensed:

- The battery of the remote controller is low.
- The remote controller is influenced by strong radio waves or noise.
- The remote controller is in contact with or covered by a metallic object.
- The remote controller is in the glove box or a stowage for small articles such as a door pocket.
- The remote controller is on the top or in front of the instrument panel, in the sun visor pocket or on the floor.

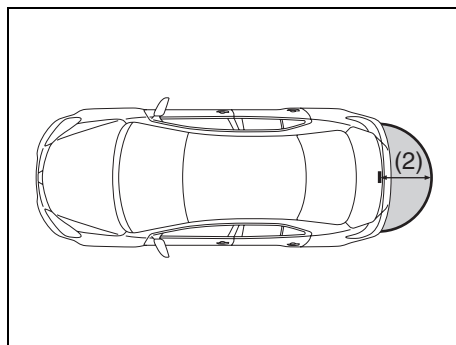
- The remote controller may be sensed under any of the following conditions even when the controller is not within the “inside sensing area”. The request switch warning buzzer/remote controller reminder function will then work.

- The remote controller is outside the vehicle but very close to it.
- The remote controller is on the instrument panel top or in the trunk.

Keyless unlocking/locking using the trunk lid request switch



57L21010



57L21018

(2) 80 cm (2 1/2 feet)

When the remote controller is within approximately 80 cm (2 1/2 feet) from the trunk lid request switch, you can open the trunk lid by pushing and holding the trunk lid request switch (1).

NOTE:

- If the remote controller is outside the trunk lid request switch operating range described above, you will not be able to operate the switch.
- If the battery of the remote controller runs down or there are strong radio waves or noise, the trunk lid request switch operating range may be reduced or the remote controller may be inoperative.
- If the remote controller is too close to the trunk lid, the trunk lid request switch may not operate.
- If a spare remote controller is in the trunk, the trunk lid request switch may not operate normally.

CAUTION

The remote controller is a sensitive electronic instrument. To avoid damaging the remote controller:

- Do not expose it to impacts, moisture or high temperature such as by leaving it on the dashboard under direct sunlight.
- Keep the remote controller away from magnetic objects such as a television.

NOTE:

The keyless start system may not function correctly in certain environments or under certain operating conditions such as the following:

- When there are strong signals coming from a television, power station or a cellular phone.
- When the remote controller is in contact with or covered by a metal object.
- When a radio wave type remote keyless entry is used nearby.
- When the remote controller is placed near an electronic device such as personal computer.

Some additional precautions you should take and information you should be aware of are:

- Make sure the key is stowed in the remote controller. If the remote controller becomes unreliable, you will not be able to lock or unlock the doors, or start the engine.
- Be sure that the driver always carries the remote controller.
- If you lose one of the remote controllers, ask an authorized SUZUKI dealer as soon as possible for a replacement. Be sure to have your dealer program the new remote controller code in your vehicle's memory so that the old code is erased, or perform the programming procedure yourself according to the instructions in this section.

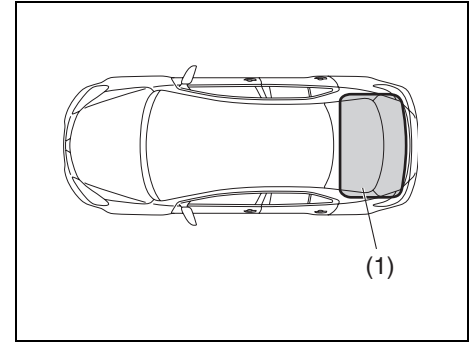
- You can use up to four remote controllers and keys for your vehicle. Ask an authorized SUZUKI dealer for details.
- The battery life of the remote controller is about two years, but it can vary depending on usage conditions.

Remote Controller Reminder Function (for Trunk)

This function prevents the remote controller from being left under a locked trunk lid.

- If you attempt to lock the trunk lid with the remote controller left inside the trunk and the vehicle in the following condition, the function automatically unlocks and slightly opens the lid:
 - Vehicle is parked with all doors closed and locked.

Trunk Inside Area Where Remote Controller Reminder Function (for Trunk) Works



57L21019

CAUTION

Check that you have the remote controller whenever you close the trunk lid, or there is a risk of leaving the remote controller inside the closed trunk lid.

BEFORE DRIVING

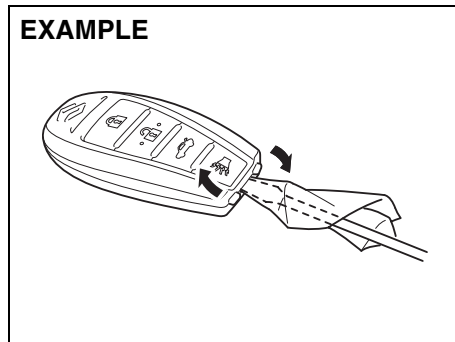
NOTE:

- Even with the remote controller within the “trunk inside sensing area” (1), the remote controller reminder function (for trunk) may not work under any of the following conditions as the presence of the remote controller may not be sensed:
 - The battery of the remote controller is low.
 - The remote controller is influenced by strong radio waves or noise.
 - The remote controller is in contact with or covered by a metallic object.
 - The remote controller is in a corner of the trunk.
- The remote controller may be sensed under the following condition even when the controller is not within the “trunk inside sensing area”. The remote controller reminder function (for trunk) will then work.
 - The remote controller is outside the vehicle but very close to the trunk.

Replacement of the battery

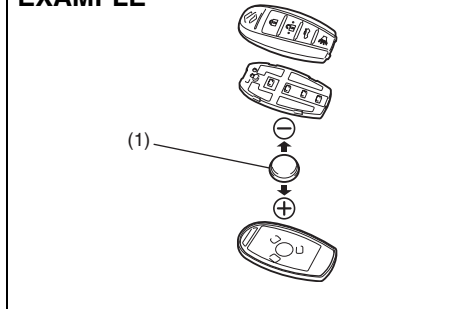
If the remote controller becomes unreliable, replace the battery.

To replace the battery of the remote controller:



- 1) Insert a flat blade screwdriver covered with a soft cloth in the slot of the remote controller and pry it open.

EXAMPLE



- (1) Lithium disc type battery: CR2032 or equivalent
- 2) Replace the battery (1) so its + terminal faces the bottom of the case as shown in the illustration.
- 3) Close the remote controller firmly.
- 4) Make sure the door locks can be operated with the remote controller.
- 5) Dispose of the used battery properly according to applicable rules or regulations. Do not dispose of lithium batteries with ordinary household trash.

⚠ WARNING

Swallowing a lithium battery may cause serious internal injury. Do not allow anyone to swallow a lithium battery. Keep lithium batteries away from children and pets. If swallowed, contact a physician immediately.

CAUTION

The remote controller is a sensitive electronic instrument. To avoid damaging it, do not expose it to dust or moisture or tamper with internal parts.

1. For USA

This device complies with Part 15 of the FCC Rules. Operation is subject to the following two conditions:

- 1) This device may not cause harmful interference, and
- 2) This device must accept any interference received, including interference that may cause undesired operation.

NOTE:

Changes or modifications not expressly approved by the party responsible for compliance could void the user's authority to operate the equipment.

2. For Canada

This device complies with Industry Canada Standard RSS-210. Operation is subject to the following two conditions:

- 1) This device may not cause interference, and
- 2) This device must accept any interference, including interference that may cause undesired operation of the device.

The term "IC:" before the certification/registration number only signifies that the Industry Canada technical specifications were met.

Theft Deterrent Alarm System

The theft deterrent alarm system is armed in about 20 seconds after you lock the doors using the keyless start system remote controller or by pushing the request switch on the driver's or front passenger's door handle. (The system, however, is not armed when the engine hood or trunk lid is open.)

Once the system is armed, any attempt to open a door by using any other means (*) than the keyless start system remote controller or the request switch will cause the alarm to be triggered.

* These means include the following:

- The key
- The lock lever on a door
- The power door lock knob
- The trunk lid unlatch switch
- The engine hood release handle

BEFORE DRIVING

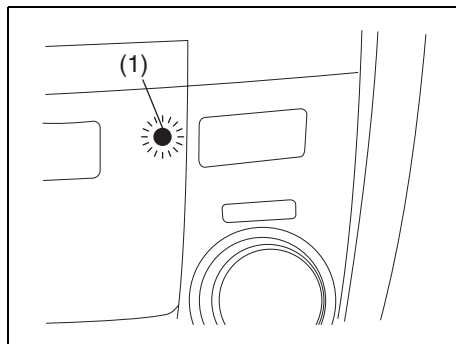
NOTE:

- The theft deterrent alarm system generates alarms when any of the predetermined conditions is met. However, the system does not have any function of blocking unauthorized entry into your vehicle.
- Always use the keyless start system remote controller or the request switch to unlock the doors when the theft deterrent alarm system has been armed. Using a key instead will trigger the alarm.
- If a person who does not know the theft deterrent alarm system is going to drive your vehicle, we recommend you to explain the system and its operation to the person, or disable the system beforehand. Mistakenly triggering the alarm may cause a nuisance to others.
- Even if the theft deterrent alarm system is armed, you should still be careful to guard against theft. Do not leave money or things of value in your vehicle.

How to arm the theft deterrent alarm system (when enabled)

Lock the doors using the keyless start system remote controller or by pushing the request switch. The theft deterrent light (1) will start flashing, and the theft deterrent alarm system will be armed in about 20 seconds.

While the system is being armed, the indicator continues to flash at approximately 2-second intervals.



57L30094

NOTE:

- To prevent the alarm from being accidentally triggered, avoid arming it while anyone remains inside the vehicle. The alarm will be triggered if any person inside unlocks a door by operating the lock lever or power door locking switch.
- The theft deterrent alarm system is not armed when all doors are locked using the key from outside, or using the door lock levers or the power door locking switch from inside.
- If the timer locking function is activated, the system will be automatically armed at the preset time unless the theft deterrent alarm system has been disabled.

How to disarm the theft deterrent alarm system

Simply unlock the doors using the keyless start system remote controller or by pushing the request switch. The theft deterrent light will go out, indicating that the theft deterrent alarm system is disarmed.

How to stop the alarm

Should the alarm be triggered accidentally, change the ignition mode to “ON” by pressing the engine switch. The alarm will then stop.

NOTE:

- *Even after the alarm has stopped, if you lock the doors using the keyless start system remote controller or by pushing the request switch, the theft deterrent alarm system will be rearmed with a delay of about 20 seconds.*
- *If you disconnect the battery while the theft deterrent alarm system is in the armed condition or the alarm is actually in operation, the alarm will be triggered or re-triggered when the battery is then reconnected, although, in the latter case, the alarm remains stopped for the period between disconnection and reconnection of the battery.*
- *Even after the alarm has stopped at the end of the predetermined operation time, it will be triggered again if any door is opened without disarming the theft deterrent alarm system.*

Checking whether the alarm has been triggered during parking

If the alarm was triggered due to an unauthorized entry into the vehicle and you then change the ignition mode to “ON” by pressing the engine switch, the theft deterrent light will flash rapidly for about 8 seconds and a buzzer will beep 4 times during this period. If this happens, check whether your vehicle has been broken into while you were away from it.

Enabling and disabling the theft deterrent alarm system

The theft deterrent alarm system can be either “enabled” or “disabled”.

When enabled (factory setting)

When the system is enabled, it causes the hazard warning lights to flash for about 40 seconds if any of the alarm trigger conditions is met. The system also causes the interior buzzer to beep intermittently for about 10 seconds, which is followed by intermittent sounding of the horn for about 30 seconds.

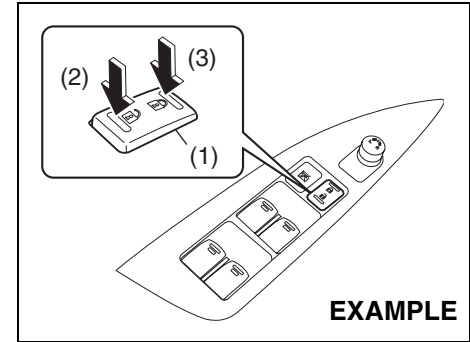
*The theft deterrent light continues to flash during this time.

When disabled

When the system is disabled, it stays disarmed even if you perform any system arming operation.

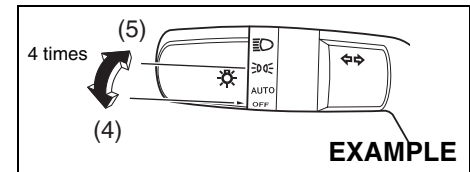
How to switch the state of the theft deterrent alarm system

You can switch the theft deterrent alarm system from the enabled state to the disabled state, and vice versa, using the following method.



57L21020

- (2) UNLOCK
- (3) LOCK



57L21021

BEFORE DRIVING

- 1) With the ignition mode changed to "ON" by pressing the engine switch, close all the doors as well as the engine hood and the trunk lid and push the unlock end (backward end) of the power door locking switch (1) of the driver's door. Turn the knob control on the lighting control lever to the OFF position (4).

NOTE:

All operations included in the following steps 2) and 3) must be completed within 15 seconds.

- 2) Turn the knob control on the lighting control lever to the $\exists 0 \ominus$ position (5) and then to the OFF position (4). Repeat this operation 4 times with the control finally set to the OFF position.
- 3) Push the lock end (forward end) of the power door lock switch (1) to lock the doors, and then the unlock end (backward end) to unlock the doors. Repeat these operations 3 times and finally push the lock end of the switch.

Every time you perform the series of the above steps, the state of the theft deterrent alarm system changes from the currently selected one to the other. You can check whether the system is enabled or disabled by the number of interior buzzer beeps at the end of the procedure as follows.

System state	Number of beeps
Disabled	Once
Enabled	4 times

NOTE:

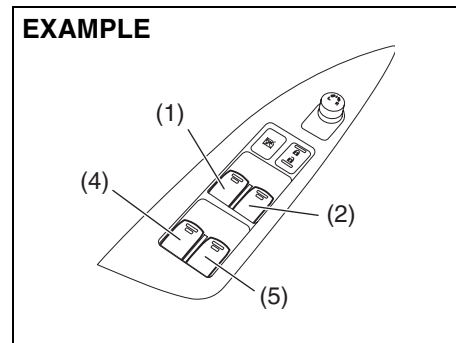
- You cannot disable the theft deterrent alarm system while it is in the armed condition.
- If you fail to complete the operations in step 2) and 3) within 15 seconds, perform the procedure again from the beginning.
- Make sure all doors are closed when performing the above procedure.

Windows

Power Window Controls

Driver's side

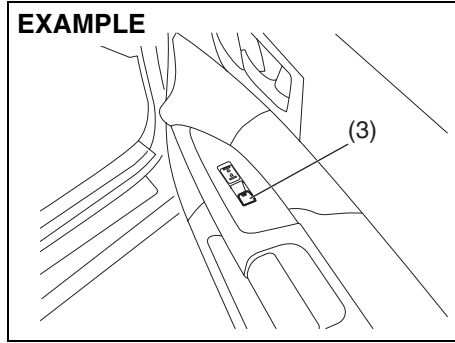
EXAMPLE



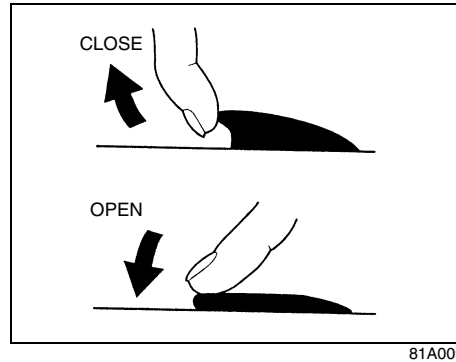
57L21024

The power windows can be operated when the ignition mode is changed to "ON" by pressing the engine switch.

The driver's door has switches (1), (2), (4), (5), to operate the driver's window, the front passenger's window, the rear left window and the rear right window, respectively.

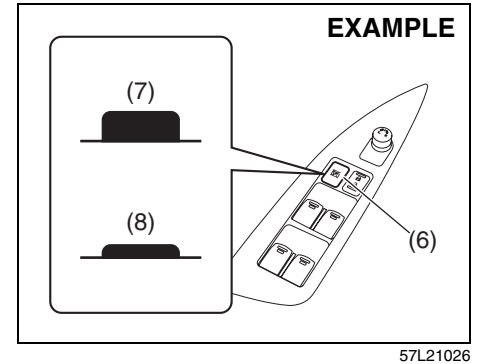
Passenger's door, Rear doors

The passenger's door has a switch (3) to operate the passenger's window.



To open a window, push the top part of the switch and to close the window lift up the top part of the switch.

The driver's and passenger's windows have "auto-down" and "auto-up" features for added convenience (at tall booths or drive-through restaurants, for example). This means the driver or passenger can open or close the window without holding the window switch in the "Down" or "Up" position. Press down or lift up the driver's or passenger's window switch completely and release it. To stop the window before it reaches the full-down or full-up position, pull up or push down the switch briefly.

Lock switch

(7) UNLOCK
(8) LOCK

The driver's door also has a lock switch (6) for the passenger's window(s). When you push in the lock switch, the passenger's window(s) cannot be raised or lowered by operating any of the switches (2), (3), (4) or (5). To restore normal operation, release the lock switch by pushing the switch again.

WARNING

- You should always lock the passenger's window operation when there are children in the vehicle. Children can be seriously injured if they get part of their body caught by the window during operation.
- To avoid injuring an occupant by window entrapment, be sure no part of the occupant's body such as hands or head is in the path of the electric windows when closing them.
- Always take the keyless start system remote controller with you when leaving the vehicle even if only for a short time. Also do not leave children alone in a parked vehicle. Unattended children could use the electric window switches and get trapped by the window.

NOTE:

The driver's and passenger's windows can be operated for 30 seconds even after the ignition mode is changed from "ON" to "ACC" or "LOCK" (OFF) by pressing the engine switch. However, if either of the front doors is opened within this 30-second period, the windows cannot be operated thereafter.

If you drive with one of the rear windows open, you may hear a loud sound caused by air vibration. To reduce the sound, open

the driver's or front passenger's window, or narrow the rear window opening.

Initialization of Auto-Down/Up Function

If the auto-down/up function does not work for some reason, initialize the function as instructed below. Note that the initialization must be performed using the switch for each window; the function of the passenger's door window cannot be initialized using the switch of the driver's door window.

- 1) Start the engine.
- 2) Open the front window fully by holding the window switch in the "Down" position.
- 3) Close the front window by holding the switch in the "Up" position, and keep holding the switch for 2 seconds after the window fully closed.
- 4) Check the front window if the auto-down/up feature work.

Pinching Prevention Function (if equipped)

The front window is equipped with the pinching prevention function. The function detects a foreign object caught in the window while being closed by the "auto-up" feature, which you can close the window without holding the window switch in the "Up" position, and stops the window closing to prevent damage.

WARNING

To avoid injuring an occupant by window entrapment, be sure no part of the occupant's body such as hands or head is in the path of the electric window when closing it. The function may not detect the object depending on size, hardness, and position of the object caught by the closing window.

CAUTION

- The pinching prevention function does not act while you are holding the window switch in the "Up" position.
- The pinching prevention function may not detect an object caught in the window where just before the window fully closed.

NOTE:

Even if you cannot close the window by the auto-up feature because there may be something wrong with the pinching prevention function, you can close the window by holding the window switch in the "Up" position.

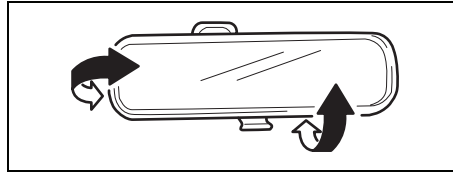
If you drive in extreme off-road condition, the pinching prevention function may operate accidentally because the window reacts to vehicle jolting.

CAUTION

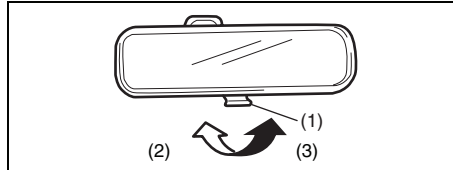
The pinching prevention function will not be activated until the initialization is complete.

- Do not strike or otherwise give shock to the window during initialization.
- Initialization is impossible while the vehicle is in motion.

If the auto-up feature would not work after initialization, there might be something wrong with the pinching prevention function. Have your vehicle inspected by an authorized SUZUKI dealer.

Mirrors**Inside Rearview Mirror (if equipped)**

65D410



65D409

- (2) Day driving
(3) Night driving

You can adjust the inside rearview mirror by hand so as to see the rear of your vehicle in the mirror. To adjust the mirror, set the selector tab (1) to the day position, then move the mirror up, down or sideways by hand to obtain the best view.

When driving at night, you can move the selector tab to the night position to reduce glare from the headlights of vehicles behind you.

⚠ WARNING

- Always adjust the mirror with the selector set to the day position.
- Only use the night position if it is necessary to reduce glare from the headlights of vehicles behind you. Be aware that in this position you may not be able to see some objects that could be seen in the day position.

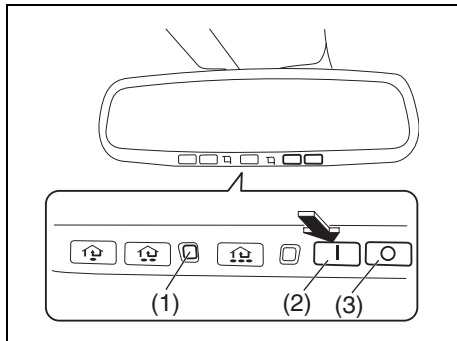
CAUTION

- Never spray any liquid directly on the anti-glare rearview mirror as this may damage the internal electronic components.
- Always clean the mirror with a soft towel. Dampen with clean water

BEFORE DRIVING

Auto dimming rearview mirror (if equipped)

With HomeLink® Wireless Control System

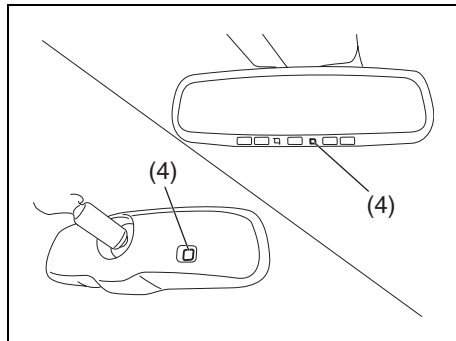


57L21027

You can adjust the auto dimming rearview mirror by hand so you can see to the rear of your vehicle in the mirror. This rearview mirror has a function of automatically reducing glare from the lights of vehicles behind you. The function works when the ignition mode has been changed to "ON" by pressing the engine switch.

- The mirror is always set to the automatic dimming mode when the engine switch is in the "ON" mode.
- When the "ON" switch (2) is pushed, the green indicator (1) is lit, indicating that the mirror is set to the automatic dimming mode. To cancel the automatic dimming mode, push the "OFF" switch (3); the indicator (1) then goes out.

- The auto dimming rearview mirror is automatically deactivated while the gear-shift lever is in the "R" position.

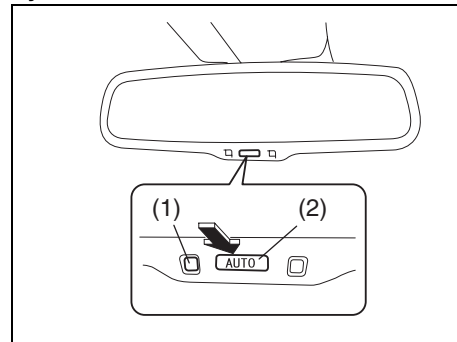


57L21028

CAUTION

- **Do not touch or cover the sensor (4) since this may impair normal operation of the system. Blocking glare from the sensor with an object such as a shade, sticker, accessory or baggage may also impair proper operation of the system.**
- **Do not hook anything heavy on the mirror, or the mirror may break under the weight.**

Without HomeLink® Wireless Control System

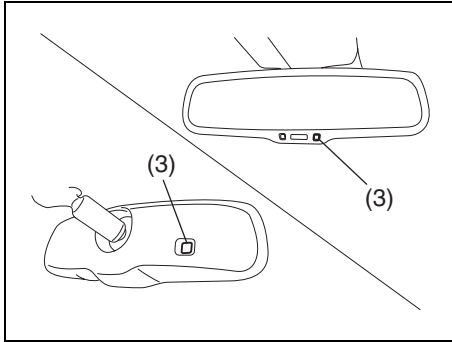


57L30019

You can adjust the auto dimming rearview mirror by hand so you can see to the rear of your vehicle in the mirror. This rearview mirror has a function of automatically reducing glare from the lights of vehicles behind you. The function works when the ignition mode has been changed to "ON" by pressing the engine switch.

- The mirror is always set to the automatic dimming mode when the engine switch is in the "ON" mode.
- When the "AUTO" switch (2) is pushed, the green indicator (1) is lit, indicating that the mirror is set to the automatic dimming mode. To cancel the automatic dimming mode, push the "AUTO" switch (2); the indicator (1) then goes out.

- The auto dimming rearview mirror is automatically deactivated while the gear-shift lever is in the "R" position.

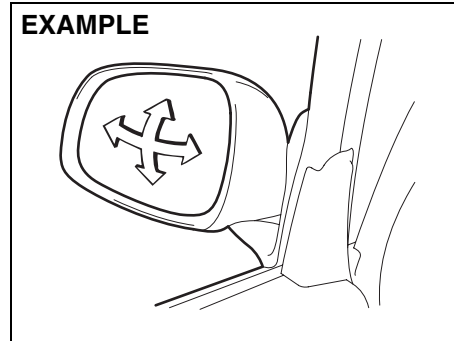


57L30020

CAUTION

- Do not touch or cover the sensor (3) since this may impair normal operation of the system. Blocking glare from the sensor with an object such as a shade, sticker, accessory or baggage may also impair proper operation of the system.
- Do not hook anything heavy on the mirror, or the mirror may break under the weight.

Outside Rearview Mirrors



79J033

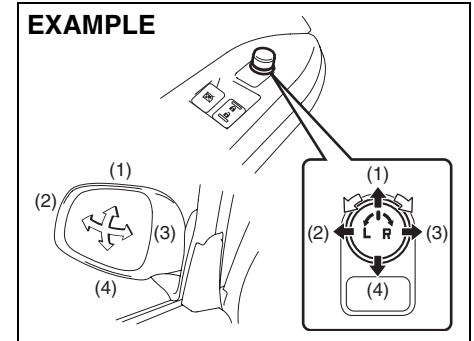
Adjust the outside rearview mirrors so you can just see the side of your vehicle in the mirrors.

The passenger's side mirror is a convex (curved surface) mirror. Objects seen in this mirror will look smaller and appear farther away than when seen in a flat mirror.

▲ WARNING

Be careful when judging the size or distance of a vehicle or other object seen in the side convex mirror. Be aware that objects look smaller and appear farther away than when seen in a flat mirror.

Power Mirror Control



57L21029

The switch to control the power rearview mirrors is located on the driver's door panel. You can adjust the mirrors after pressing the engine switch to change the ignition mode to "ACC" or "ON". To adjust the mirrors:

- 1) Move the selector switch to the left or right to select the mirror you wish to adjust.
- 2) Press the outer part of the switch that corresponds to the direction you wish to move the mirror.
- 3) Return the selector switch to the center position to help prevent unintended adjustment.

BEFORE DRIVING

NOTE:

If your vehicle is equipped with the heated outside rearview mirrors, refer to “Heated Rear Window and Heated Outside Rearview Mirrors (if equipped) Switch” in this section.

Front Seats

Standard Seat (if equipped)

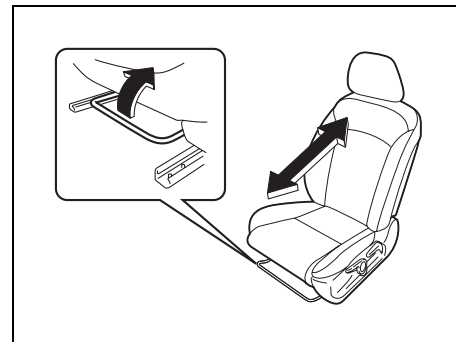
Adjusting seat position

⚠ WARNING

Never attempt to adjust the driver’s seat or seatback while driving. The seat or seatback could move unexpectedly, causing loss of control. Make sure that the driver’s seat and seatback are properly adjusted before you start driving.

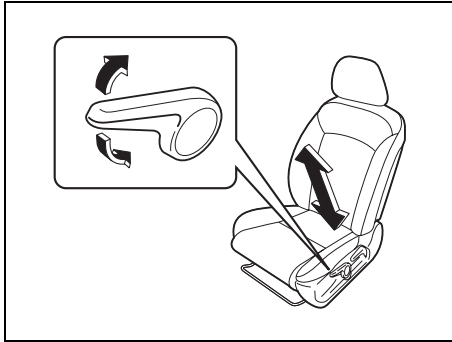
⚠ WARNING

To avoid excessive seat belt slack, which reduces the effectiveness of the seat belts as a safety device, make sure that the seats are adjusted before the seat belts are fastened.



57L21109

The adjustment lever for each front seat is located under the front of the seat. To adjust the seat position, pull up on the adjustment lever and slide the seat forward or rearward. After adjustment, try to move the seat forward and rearward to ensure that it is securely latched.



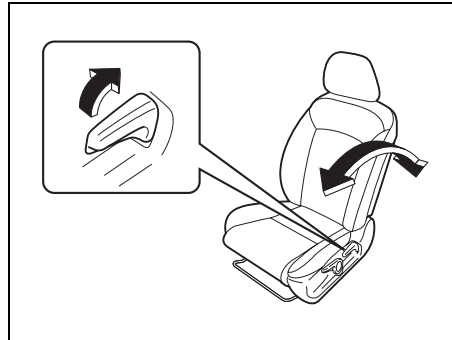
57L21110

If the driver's seat is equipped with a seat height adjuster lever on the outboard side of the seat, raise or lower the seat by pulling up or down the adjuster lever.

Adjusting seatbacks

⚠ WARNING

All seatbacks should always be in an upright position when driving, or seat belt effectiveness may be reduced. Seat belts are designed to offer maximum protection when seatbacks are in the upright position.



57L21111

To adjust the seatback angle of front seats, pull up the lever on the outboard side of the seat, move the seatback to the desired position, and release the lever to lock the seatback in place. After adjustment, try moving the seatback to make sure it is securely locked.

Power Seat (if equipped)

Adjusting seat position

⚠ WARNING

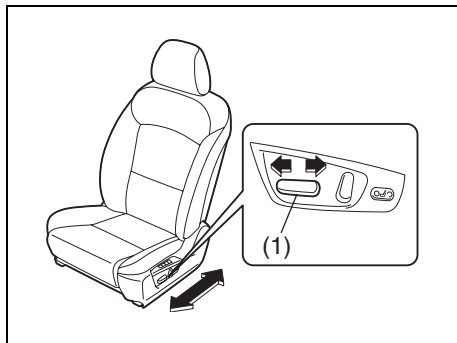
Never attempt to adjust the driver's seat or seatback while driving. The seat or seatback could move unexpectedly, causing loss of control. Make sure that the driver's seat and seatback are properly adjusted before you start driving.

⚠ WARNING

To avoid excessive seat belt slack, which reduces the effectiveness of the seat belts as a safety device, make sure that the seats are adjusted before the seat belts are fastened.

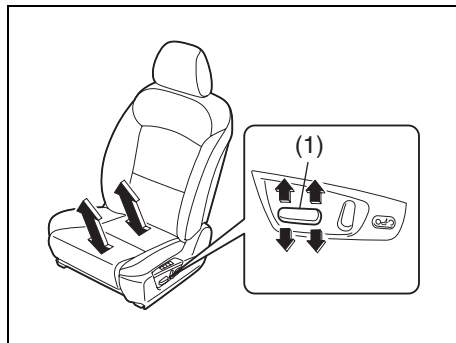
CAUTION

Do not place any object under the seat. The object may cause damage to the seat if caught under it.



57L21030

Sliding the multi-function control switch (1) located on the outside of the driver's seat forward or backward changes the fore-and-aft position of the seat.



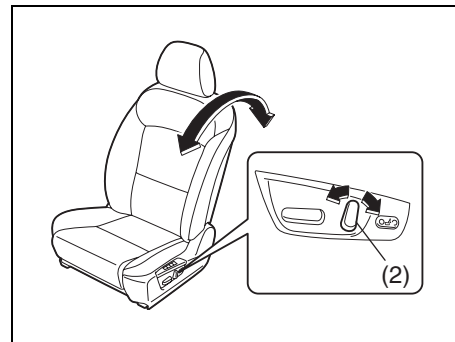
57L21031

- Lifting up the front end of the multi-function control switch causes the front part of the seat to rise.
- Pushing down the front end of the switch causes the front part of the seat to lower.
- Lifting up the rear end of the switch causes the whole seat to rise and the whole seat to move forward at the same time.
- Pushing down the rear end of the switch causes the whole seat to lower and the whole seat to move backward at the same time.

Adjusting seatbacks

⚠ WARNING

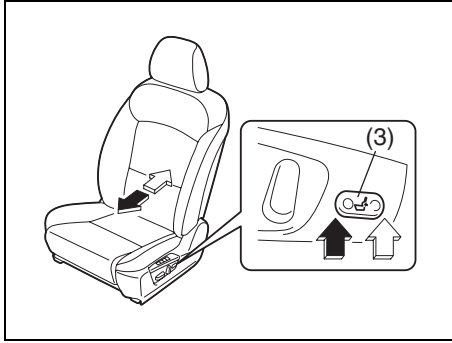
All seatbacks should always be in an upright position when driving, or seat belt effectiveness may be reduced. Seat belts are designed to offer maximum protection when seatbacks are in the upright position.



57L21032

Tilt the reclining switch (2) forward or rearward to adjust the angle of the seatback.

Adjusting the Lumbar Support (if equipped)



57L21033

Use the lumbar support switch (3) located at the rear of the reclining switch to adjust the force with which the seatback supports the lumbar area of your back.

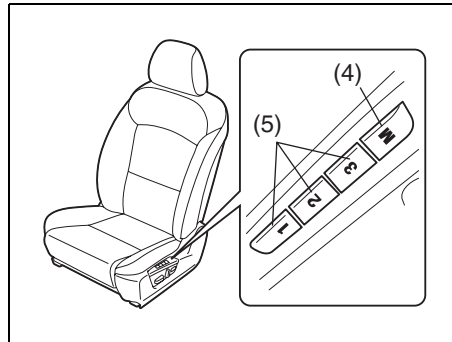
- Push the front button on the switch for firmer support.
- Push the rear button on the switch for softer support.

Seat Position Memory System (if equipped)

Power seat (if equipped)

This function allows you to restore your preferred preprogrammed seat position at the touch of one of the three position buttons, which are provided on the top of the switch block on the outside of the driver's seat. One seat position can be programmed to each button, so a total of three different positions can be stored in memory.

How to program a seat position



57L21034

- 1) Adjust the seat position as desired.
- 2) Within 5 seconds after pressing the memory button (4) or while pressing the button, press one of the position buttons 1 – 3 (5). A buzzer will sound when the position has been successfully programmed.

NOTE:

The seat position programmed to a position button is overwritten if you program another seat position to the same button.

How to restore the seat to a memorized position

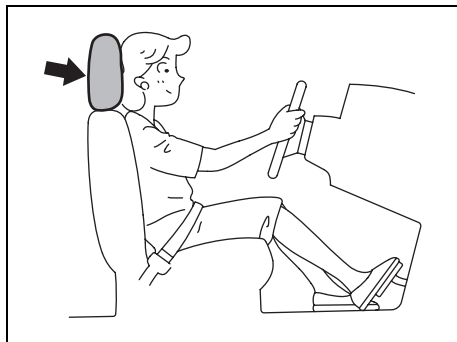
- 1) Press the engine switch to change the ignition mode to "ACC" or "ON".
- 2) Press the desired position button. A buzzer will sound both when the system starts and completes the process for restoring the memorized position. The seat is now automatically set to the selected position.

NOTE:

- If you press any of the following buttons during the process of restoring a memorized position, the system stops the process.
 - Memory button
 - Position button of any other number
 - Any of the seat position adjusting switches
- Restoring the seat to a memorized position is possible only when all of the following conditions are met:
 - The ignition mode has been changed to "ACC" or "ON" by pressing the engine switch.
 - CVT: The gearshift lever is in the "P" position.
 - Manual Transaxle: The parking brake is applied.
 - Vehicle speed is 2 mph (3 km/h) or lower.

BEFORE DRIVING

Head Restraints



80J001

Head restraints are designed to help reduce the risk of neck injuries in case of an accident.

Adjust the head restraint to the position which places the center of the head restraint closest to the top of your ears. If this is not possible for very tall passengers, adjust the head restraint as high as possible.

⚠ WARNING

All occupants, including the driver, should not operate a vehicle or sit in a vehicle's seat until the head restraints are placed in their proper positions in order to minimize the risk of severe injury in the event of a crash.

⚠ WARNING

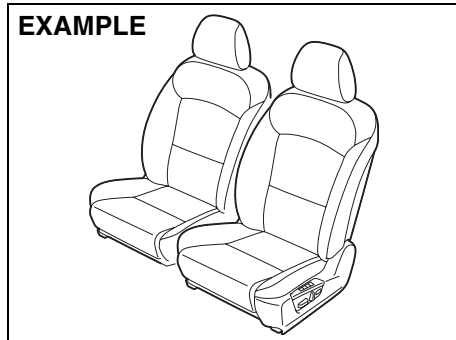
All head restraints must be reinstalled to properly protect vehicle occupants.

⚠ WARNING

- Never drive the vehicle with the head restraints removed.
- Do not attempt to adjust the head restraint while driving.

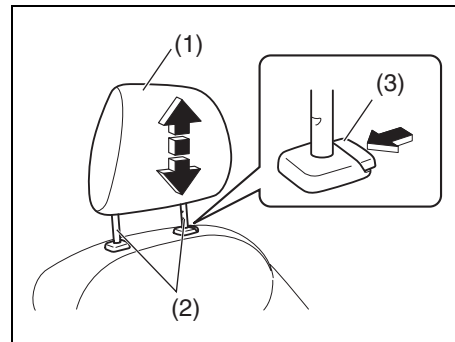
Front

EXAMPLE



57L21035

Each front seat is equipped with a head restraint.



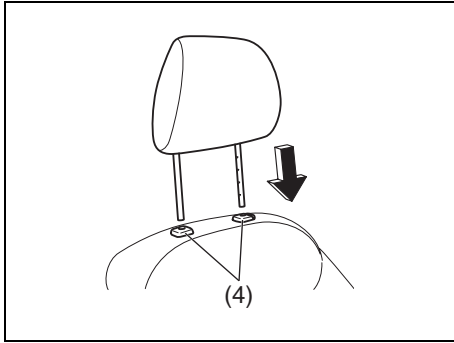
57L21036

- (1) head restraint
- (2) bars
- (3) release knob

To raise the head restraint, pull upward on the restraint until it clicks. To lower the restraint, push down on the restraint while holding in the release knob (3). If a head restraint must be removed (for cleaning, replacement, etc.), push in the release knob and pull the head restraint all the way out.

NOTE:

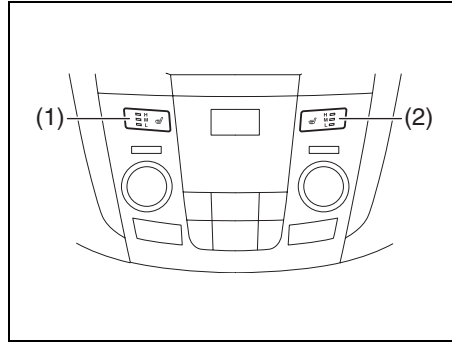
It may be necessary to recline the seat-back to provide enough overhead clearance to remove the head restraint.



57L21037

To reinstall the head restraint, insert the head restraint bars into the holes (4) and push the head restraint down.

Front Seat Heater (if equipped)



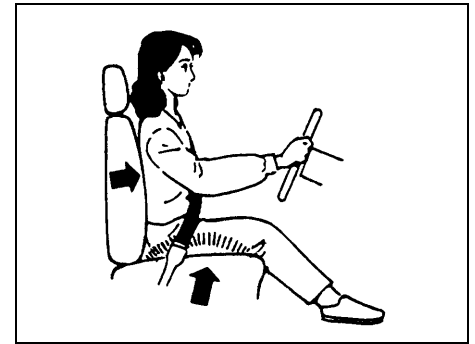
57L21038

- (1) Driver's seat heater switch
- (2) Passenger's seat heater switch

With the ignition mode changed to "ON" by pressing the engine switch, push in one or both of the seat heater switches to warm the corresponding seat(s).

- When a seat heater switch is pushed, the heater inside the corresponding seat operates.
- Heating intensity can be adjusted to one of three levels: L (low), M (medium) and H (high).

- Every time you press the seat heater switch, the indicators inside the switch light one at a time in the following sequence to indicate the selected heater operation.
 - L (low): Weak heating (Only the L indicator lights.)
 - M (medium): Moderate heating (The L and M indicators light.)
 - H (high): Strong heating (The L, M and H indicators light.)
 - OFF: Heater turned off (No indicator illuminates.)



86G064

⚠ WARNING

Improperly using the seat heater can be hazardous. An occupant can suffer burns even if the heating temperature is fairly low, if the occupant is wearing thin pants, a thin skirt or shorts and leaves the heater on for long periods.

Avoid using the seat heater for these occupants:

- People who have reduced feeling in their legs, including the elderly or those with certain disabilities.
- Small children, or anyone with sensitive skin.
- People who are asleep or under the influence of alcohol or other drugs which make them tired.

CAUTION

To avoid damaging the heater element:

- Do not subject the front seats to heavy impacts, such as children jumping on them.
- Do not cover the seat with any insulating materials such as blankets or cushions.

Rear Seats

Head Restraints

Head restraints are designed to help reduce the risk of neck injuries in the case of an accident.

⚠ WARNING

All occupants, including the driver, should not operate a vehicle or sit in a vehicle's seat until the head restraints are placed in their proper positions in order to minimize the risk of severe injury in the event of a crash.

⚠ WARNING

All head restraints must be reinstalled to properly protect vehicle occupants.

⚠ WARNING

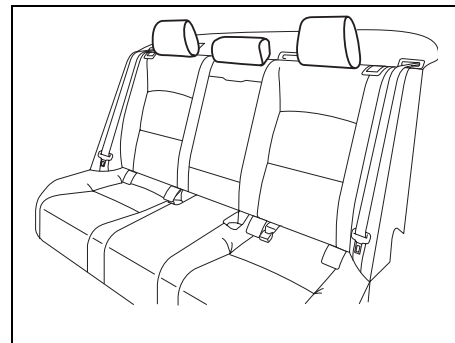
- Never drive the vehicle with the head restraints removed.
- Do not attempt to adjust the head restraint while driving.

NOTE:

It may be necessary to fold forward the seatback to provide enough overhead clearance to remove the head restraint.

Adjust the head restraint to the position which places the center of the head restraint closest to the top of your ears. If this is not possible for very tall passengers, adjust the head restraint as high as possible.

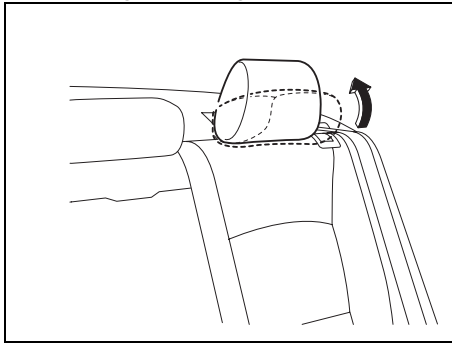
Rear



57L21039

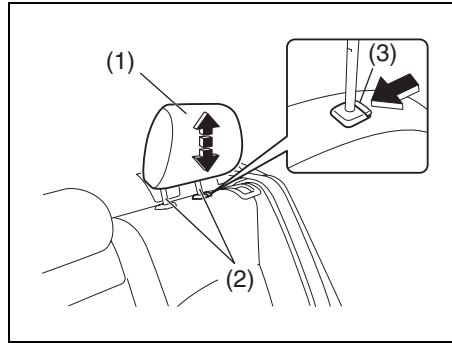
Your vehicle is equipped with three head restraints on the rear seat.

Left and right seating places



57L30058

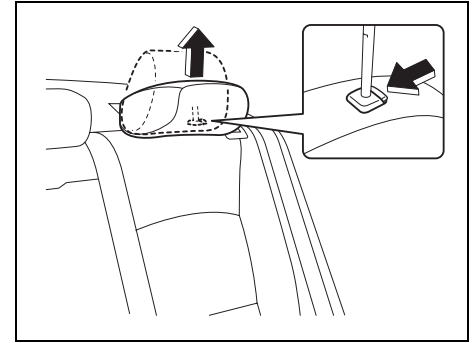
If the head restraint is tipped forward, raise it upright.



57L21040

- (1) head restraint
- (2) bars
- (3) release knob

To raise the rear head restraint, pull upward on the restraint until it clicks. To lower the restraint, push down on the restraint while holding in the release knob (3).



57L30033

When the head restraints must be removed, use the following methods: For the left and right seating places, tip the head restraint forward and then pull it up while holding the release knob pushed.

NOTE:

You cannot remove the head restraint without tipping it forward; in the upright position, the head restraint touches the cabin sealing before it can be removed.

⚠ WARNING

Never allow anyone to sit on the rear seat with the head restraints removed or tipped forward.

BEFORE DRIVING

⚠ WARNING

Do not leave the removed head restraints unfixd in the cabin. They may hit against you and passengers in the event of hard braking or other similar instances, increasing the risk of an accident.

To reinstall the head restraints, do the following:

For the left and right seating places, insert the head restraint while still in its forward-tipped position (do not face the backside forward) into the seatback until it locks. Then tilt it back to the normal position. The height of the reinstalled head restraints must be adjusted properly before use.

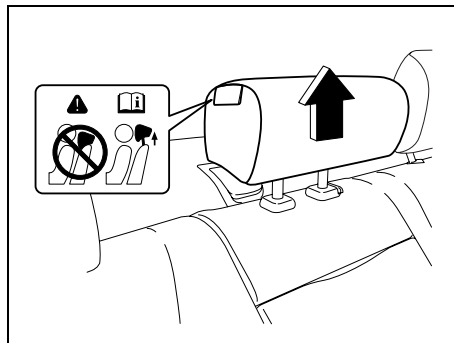
⚠ WARNING

Always check that the head restraint is firmly in position after installing it. Avoid installing it with the backside facing forward. A wrongly facing head restraint does not provide the intended protection, and also its height cannot be adjusted.

NOTE:

It is recommended to tilt the head restraints forward to have a better rearward view.

Central seating place

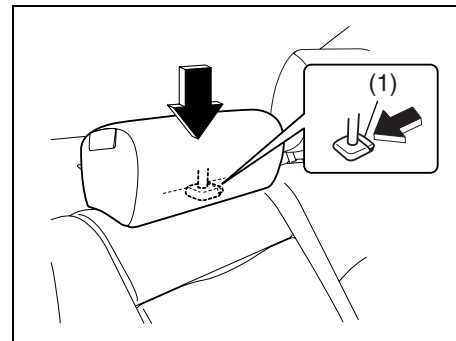


57L30061

⚠ WARNING

Do not allow anyone to sit in the center seating place with the head restraint removed or in the stowed position.

When there is a passenger in the central seating place, pull up the head restraint by hand and make sure it is securely locked before starting to drive.



57L30060

When there is no occupant in the central seating place, push down the head restraint fully while holding the release knob (1) pressed.

When the head restraints must be removed, use the following methods: Pull the head restraint up and out of the seat while holding the release knob pressed.

⚠ WARNING

Do not leave the removed head restraints unfixd in the cabin. They may hit against you and passengers in the event of hard braking or other similar instances, increasing the risk of an accident.

To reinstall the head restraints, do the following:
With the correct side facing forward, insert the head restraint into the seat until it is locked at a height. Then adjust the height as desired.

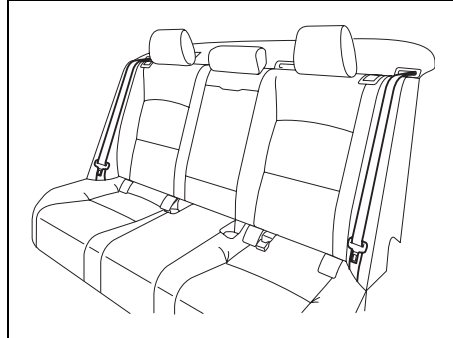
⚠ WARNING

Always check that the head restraint is firmly in position after installing it. Avoid installing it with the backside facing forward. A wrongly facing head restraint does not provide the intended protection, and also its height cannot be adjusted.

Folding Rear Seats

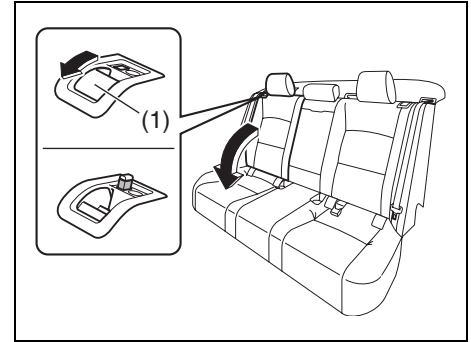
The rear seats of your vehicle can be folded forward to provide additional cargo space.

To fold the rear seats forward:



57L30037

- 1) Stow the seatbelt for the rear center seat in the retractor behind the head restraint and retain its end in the holder so that the seatback for the left seating place can be folded.
- 2) Adjust all the head restraints to the lowest positions. In addition, tip forward the head restraints for the right and left seats.
- 3) Detach the seat belts for the right and left seats from the seatbacks as shown in the illustration so the belts are not caught when the seatbacks are moved.



57L30038

- 4) Pull the release lever (1) on the top of each split seat, and fold the seatbacks forward.

CAUTION

After folding the rear seatback forward, do not allow any foreign material to enter the lock opening. This may cause damage to the inside of the lock and prevent the seatback from being locked securely.

BEFORE DRIVING

⚠ WARNING

Luggage or other cargo should be stowed in the luggage compartment with the rear seat in an upright position, whenever possible. If you need to carry cargo in the passenger compartment with the rear seat back folded forward, be sure to secure the cargo or it may be thrown about, causing injury. Never pile cargo higher than the seatbacks.

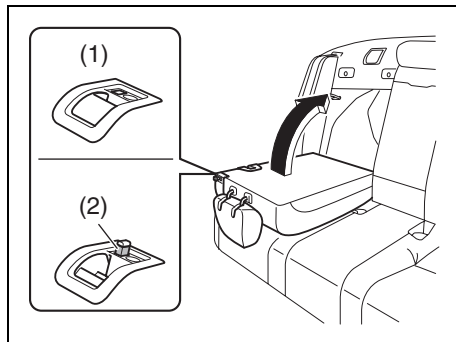
To return the seat to the normal position, follow the procedure below.

⚠ WARNING

When returning the rear seatback to the normal position, be careful that your finger is not caught between the lock and the striker.

CAUTION

When returning the rear seatback to the normal position, make sure that there is nothing around the striker. Any foreign materials prevent the seatback from being locked securely.



- (1) LOCK
(2) UNLOCK

Raise the seatback until it locks into place. After returning the seat, try moving the seatback to make sure they are securely latched.

⚠ WARNING

Do not put your hand into the rear seatback lock opening, or your finger may get caught and be injured.

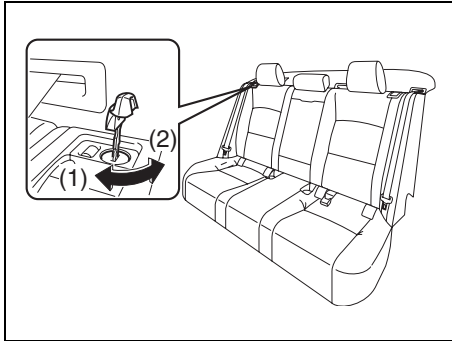
CAUTION

After securing the rear seatback, make sure that it is locked securely. If it is not, a red sign will appear behind the release lever.

CAUTION

- When returning the rear seatback to the normal position, do not allow any foreign material to enter the lock opening. This may prevent the seatback from being locked securely.
- When returning the rear seatback to the normal position, be sure to handle it carefully by hand to avoid any damage to the lock itself. Do not push it by using some material or by applying excessive force.
- As the lock is designed exclusively for securing the rear seatback, do not use it for any other purpose. Incorrect use of it may cause damage to the inside of the lock and prevent the seatback from being locked securely.

Locking Rear Seatback



57L30104

- (1) To lock
- (2) To unlock

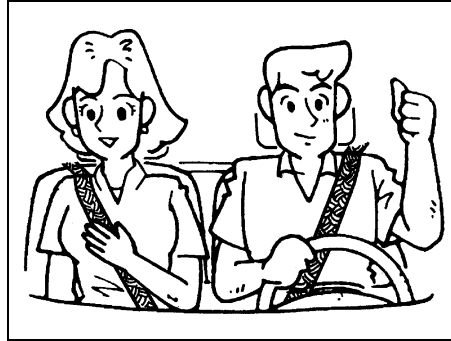
To prevent theft, the rear seatback has a locking function to prevent it from being folded down.

- Insert the key into the lock behind the lock lever, and turn the key clockwise.
- Turn the key counterclockwise to unlock the seatback.

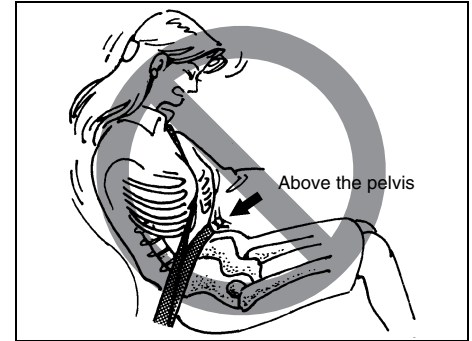
NOTE:

When a red sign is visible behind the release lever, the seatback cannot be locked because it is not completely in the raised position.

Seat Belts and Child Restraint Systems



65D231



65D606

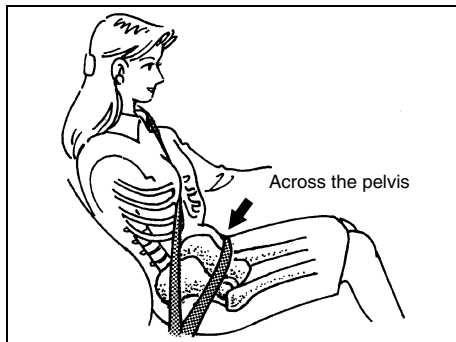
⚠ WARNING

- Never allow persons to ride in the cargo area of a vehicle. In the event of an accident, there is a much greater risk of injury for persons who are not riding in a seat with their seat belt securely fastened.
- Seat belts should always be adjusted as follows:
 - the lap portion of the belt should be worn low across the pelvis, not across the waist.
 - the shoulder straps should be worn on the outside shoulder only, and never under the arm.
 - the shoulder straps should be away from your face and neck, but not falling off your shoulder.

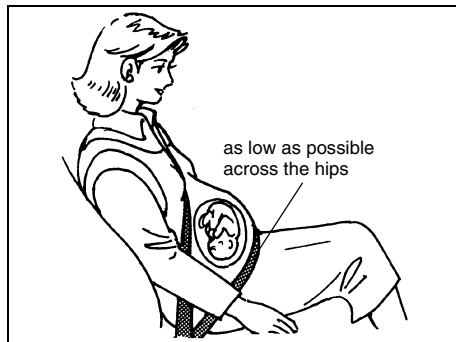
(Continued)

⚠ WARNING

An air bag supplements, or adds to, the frontal crash protection offered by seat belts. The driver and all passengers must be properly restrained by wearing seat belts at all times, whether or not an air bag is mounted at their seating position, to minimize the risk of severe injury or death in the event of a crash.



65D201



65D199

⚠ WARNING

(Continued)

- Seat belts should never be worn with the straps twisted and should be adjusted as tightly as is comfortable to provide the protection for which they have been designed. A slack belt will provide less protection than one which is snug.

(Continued)

⚠ WARNING

(Continued)

- Pregnant women should use seat belts, although specific recommendations about driving should be made by the woman's medical advisor. Remember that the lap portion of the belt should be worn as low as possible across the hips, as shown in the diagram.
- Make sure that each seat belt buckle is inserted into the proper buckle catch. It is possible to cross the buckles in the rear seat.

(Continued)

⚠ WARNING

(Continued)

- Do not wear your seat belt over hard or breakable objects in your pockets or on your clothing. If an accident occurs, objects such as glasses, pens, etc. under the seat belt can cause injury.
- Never use the same seat belt on more than one occupant and never attach a seat belt over an infant or child being held on an occupant's lap. Such seat belt use could cause serious injury in the event of an accident.
- Periodically inspect seat belt assemblies for excessive wear and damage. Seat belts should be replaced if webbing becomes frayed, contaminated, or damaged in any way. It is essential to replace the entire seat belt assembly after it has been worn in a severe impact, even if damage to the assembly is not obvious.
- Children age 12 and under should ride properly restrained in the rear seat, if equipped.

(Continued)

⚠ WARNING

(Continued)

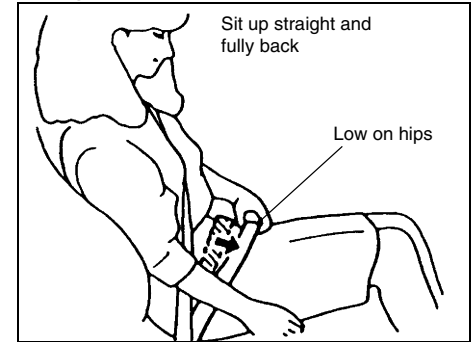
- **Infants and small children should never be transported unless they are properly restrained. Restraint systems for infants and small children can be purchased commercially and should be used. Make sure that the system you purchase meets Federal Motor Vehicle Safety Standards. Read and follow all the directions provided by the manufacturer.**
- **Avoid contamination of seat belt webbing by polishes, oils, chemicals and particularly battery acid. Cleaning may safely be carried out using mild soap and water.**
- **For children, if the shoulder belt irritates the neck or face, move the child closer to the center of the vehicle.**
- **All seatbacks should always be in an upright position when driving, or seat belt effectiveness may be reduced. Seat belts are designed to offer maximum protection when seatbacks are in the upright position.**

Lap-Shoulder Belt**Emergency Locking Retractor (ELR)**

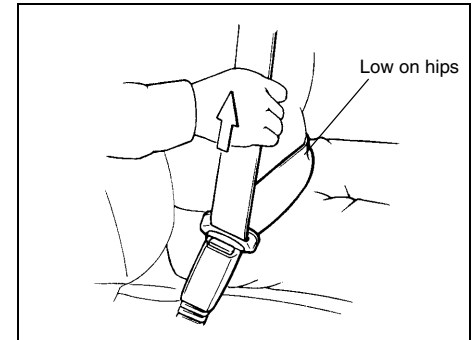
The seat belt has an emergency locking retractor (ELR), which is designed to lock the seat belt only during a sudden stop or impact. It also may lock if you pull the belt across your body very quickly. If this happens, let the belt go back to unlock it, then pull the belt across your body more slowly.

Automatic Locking Retractor (ALR)

The front passenger's seat belt and the rear seat belts have emergency locking retractors (ELRs) that can be temporarily converted to function as automatic locking retractors (ALRs). The ALR mode should be used if you need to secure a child restraint system in the seat. Refer to the "Child Restraint Systems" section for details.

Safety reminder

60A038

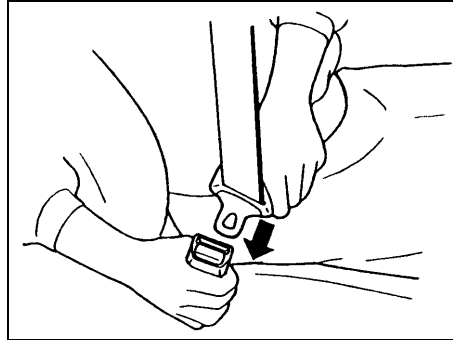


60A040

BEFORE DRIVING

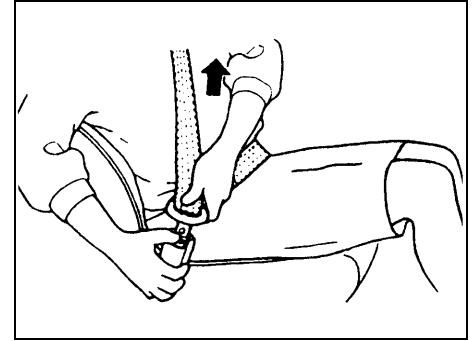
To reduce the risk of sliding under the belt during a collision, position the lap portion of the belt across your lap as low on your hips as possible and adjust it to a snug fit by pulling the shoulder portion of the belt upward through the latch plate. The length of the diagonal shoulder strap adjusts itself to allow freedom of movement.

All Seat Belts Except Rear Center



60A036

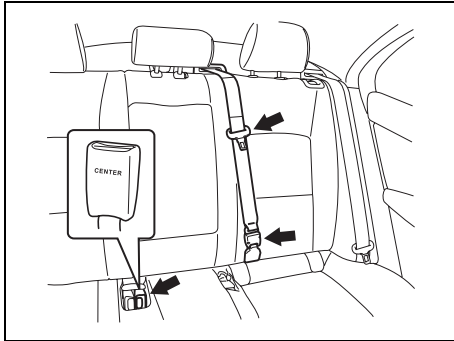
To fasten the seat belt, sit up straight and well back in the seat, pull the latch plate attached to the seat belt across your body and press it into the buckle until you hear a “click”.



60A039

To unfasten the belt, push the red “PRESS” button on the buckle and allow the belt to retract.

Rear Center Seat Belt

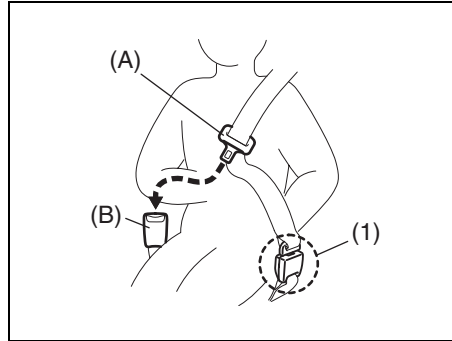


57L21183

The rear center seat belt is a "Lap-shoulder belt" with a buckle, a latch plate and a detachable connector. The buckle is marked as "CENTER" for distinction from the rear right seat belt buckle. The rear center seat belt buckle and the connector are designed so as not to allow a wrong latch plate to be inserted.

When the rear seatback is in upright position, keep the detachable connector latched. Only when the rear seatback will be folded down, unlatch the detachable connector. To latch and unlatch the connector, see "Unlatching and Latching Detachable Connector" later in this section.

Fastening

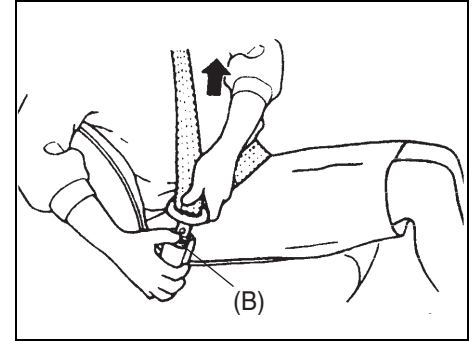


57L21184

Before fastening the rear center belt, make sure the detachable connector (1) is securely latched and the webbing is not twisted.

To fasten the belt, sit up straight and well back in the seat, pull the latch plate (A) across your body and press it into the buckle (B) until you hear a "click".

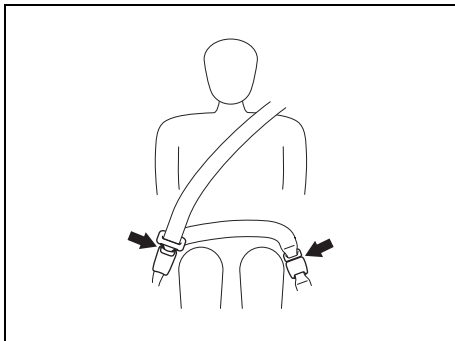
Unfastening



57L21185

To unfasten the belt, push the red "PRESS" button on the buckle (B) and allow the belt to retract.

BEFORE DRIVING



57L30107



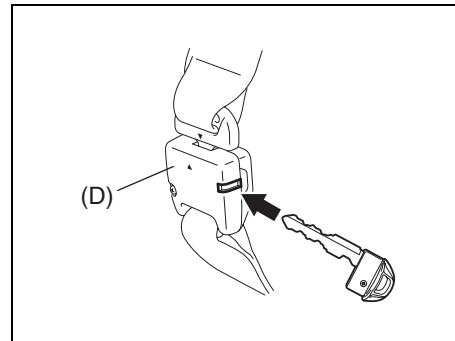
57L21108

WARNING

To minimize risk of severe injury or death in the event of a crash, always wear seat belt with both latches buckled.

Unlatching and Latching Detachable Connector

Unlatching



57L21186

To unlatch the connector:

- 1) Insert the key into the slot on the connector (D) and allow the belt to retract.
- 2) Once the belt has completely retracted, stow the belt in the holder. Refer to "Stowing Rear Center Lap-Shoulder Belt" for details later in this section.

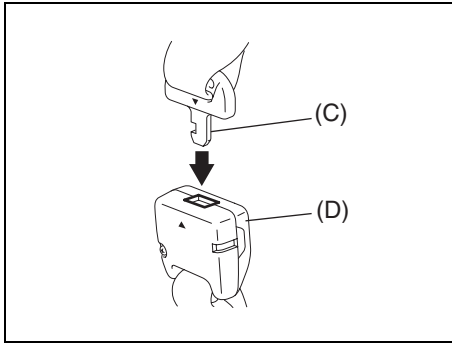
CAUTION

When the rear seatback is folded forward, be sure to unlatch the connector of rear center belt. Otherwise, the seat belt webbing can be damaged.

Latching

To latch the connector:

- 1) Pull the belt out from the holder.



57L21187

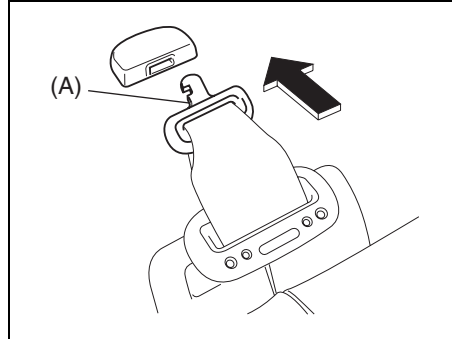
- 2) Insert the connector latch plate (C) into the connector (D) so as to align the triangle marks until you hear a "click".

⚠ WARNING

Make sure the detachable connector is securely latched and the webbing is not twisted.

Stowing Rear Center Lap-Shoulder Belt

Be sure to stow the belt after the belt is retracted completely.



57L21188

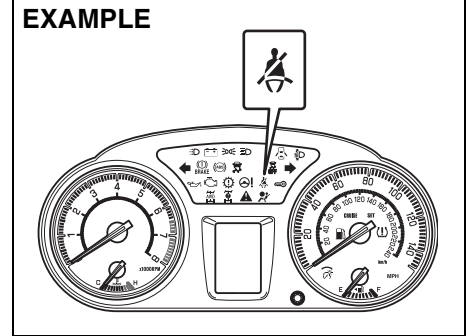
To stow the belt, insert the latch plate (A) into the slot of the holder. To pull the belt out, simply pull the latch plate.

⚠ WARNING

Stow the belt end properly, or the belt end may hit passengers in case of vehicle bumps.

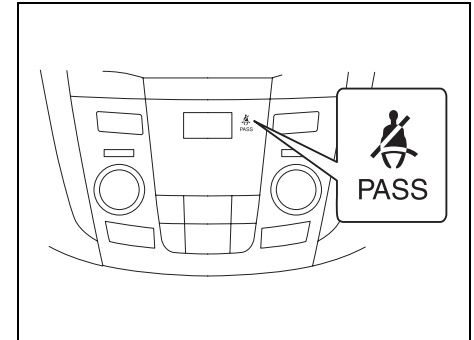
Seat Belt Reminder

Driver's seat belt reminder light



57L21042

Front passenger's seat belt reminder light (if equipped)



57L21043

BEFORE DRIVING

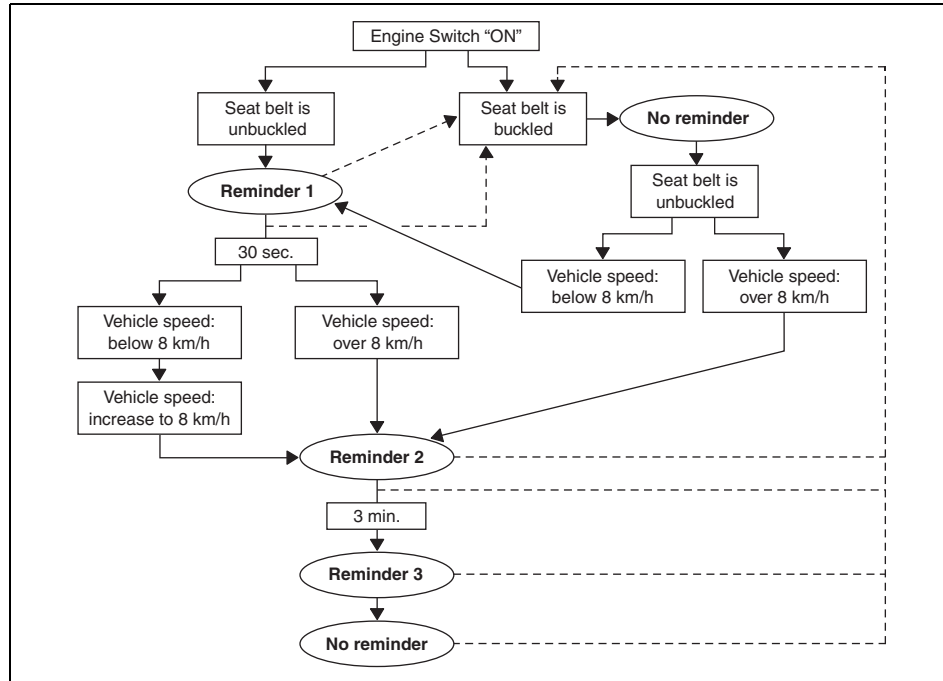
When the driver and front passenger don't buckle their seat belts, the driver's seat belt reminder light in the instrument cluster and the front passenger's seat belt reminder light in the information display will come on and a buzzer will sound as a reminder to the driver and front passenger to buckle their seat belts.

WARNING

It is absolutely essential that the driver and passengers wear their seat belts at all times. Persons who are not wearing seat belts have a much greater risk of injury if an accident occurs. Make a regular habit of buckling your seat belt before starting the engine.

The seat belt reminder functions as shown in the figure below. There are some differences between the driver's seat belt reminder and the front passenger's seat belt reminder. For more details, refer to the following explanation.

Flow chart



57L21044

Reminder 1 – 3

For each reminder 1 – 3, the reminder light comes on for about 20 seconds, then blinks for about 55 seconds. When the reminder light first comes on, a buzzer sounds intermittently for about 6 seconds.

Driver's seat belt reminder

If the driver's seat belt remains unbuckled after changing the ignition mode to "ON" by pressing the engine switch, the driver's seat belt reminder works as follows:

- 1) The driver's seat belt reminder light will come on for about 20 seconds when the ignition mode is changed to "ON" by pressing the engine switch, the engine switch then will blink for about 55 seconds. When the light comes on, a buzzer will also sound intermittently for about 6 seconds (Reminder 1).
- 2) If the vehicle is driven (vehicle speed > 8 km/h), Reminder 2 will operate about 30 seconds after Reminder 1 has finished. If the vehicle is not driven (vehicle speed < 8 km/h), Reminder 2 will operate when driving starts (vehicle speed > 8 km/h).
- 3) Reminder 3 will operate about 3 minutes after Reminder 2 has finished.
- 4) Even if the driver's seat belt remains unbuckled after Reminder 3, there will be no further reminders.

If the driver has buckled his or her seat belt and later unbuckles the seat belt, the reminder system will be activated from Reminder 1 or Reminder 2 according to the vehicle speed. (Refer to the flow chart.)

The driver's seat belt reminder will be automatically canceled when the driver's seat belt is buckled or the ignition mode is

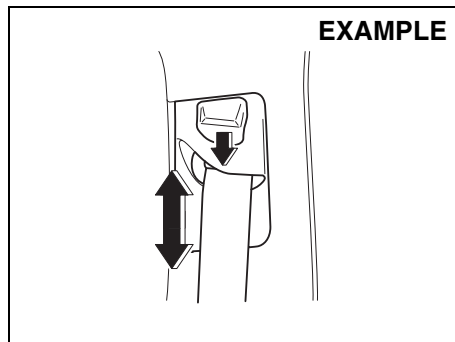
BEFORE DRIVING

changed to “LOCK” (OFF) by pressing the engine switch.

Front passenger’s seat belt reminder (if equipped)

The front passenger’s seat belt reminder will activate only when there is a passenger sitting in the front seat. In some situations, however, such as when you place heavy objects in the front seat, the seat belt reminder can be activated as if there were a passenger present. The front passenger’s seat belt reminder works in the same manner as the driver’s seat belt reminder, except that it is not activated until 10 seconds after the ignition mode is changed to “ON” by pressing the engine switch.

Shoulder Anchor Height Adjuster



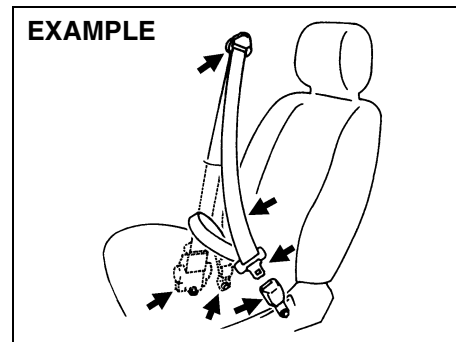
57L21045

Adjust the shoulder anchor height so that the shoulder belt rides on the center of the outside shoulder. To upward, slide the anchor up. To downward, slide the anchor down while down the lock lever. After adjustment, make sure that the anchor is securely locked.

WARNING

Be sure that the shoulder belt is positioned on the center of the outside shoulder. The belt should be away from your face and neck, but not falling off your shoulder. Misadjustment of the belt could reduce the effectiveness of the safety belt in a crash.

Seat Belt Inspection



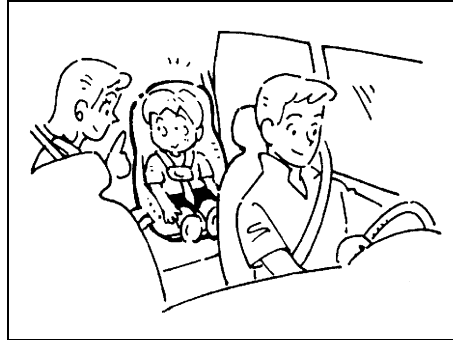
65D209S

Periodically inspect the seat belts to make sure they work properly and are not damaged. Check the webbing, buckles, latch plates, retractors, anchorages and guide loops. Replace any seat belts which do not work properly or are damaged.

⚠ WARNING

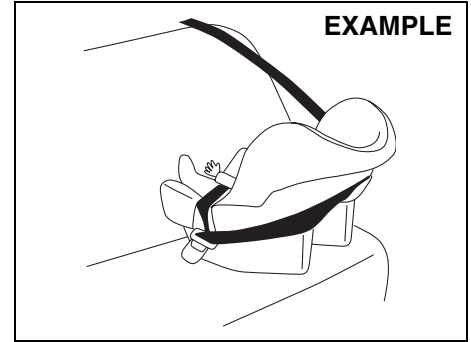
Be sure to inspect all seat belt assemblies after any collision. Any seat belt assembly which was in use during a collision (other than a very minor one) should be replaced, even if damage to the assembly is not obvious. Any seat belt assembly which was not in use during a collision should be replaced if it does not function properly, it is damaged in any way or the seat belt pretensioners were activated.

Child Restraint Systems



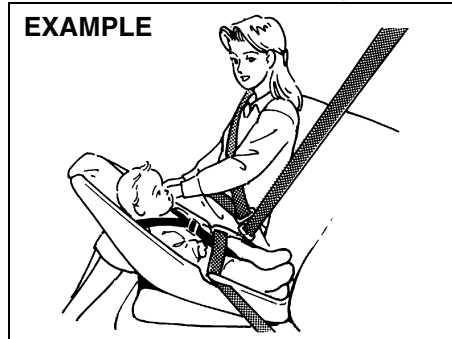
60G332

Infant restraint - rear seat only



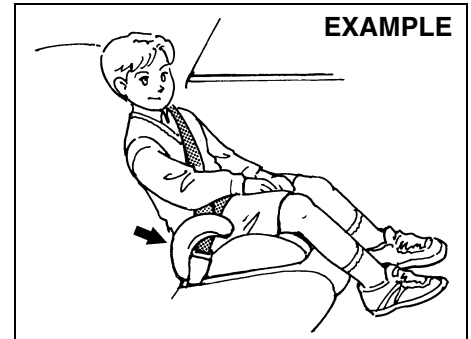
80JC007

Infant restraint - rear seat only



65D202

Booster seat



80JC008

BEFORE DRIVING

SUZUKI highly recommends that you use a child restraint system to restrain infants and small children. Many different types of child restraint systems are available; make sure that the restraint system you select meets Federal Motor Vehicle Safety Standards.

All child restraint systems are designed to be secured in vehicle seats by either seat belts (lap belts or the lap portion of lap-shoulder belts) or by special rigid lower anchor bars built into the seats. Whenever possible, SUZUKI recommends that child restraint systems be installed on the rear seat. According to accident statistics, children are safer when properly restrained in rear seating positions than in front seating positions.

If you must use a front-facing child restraint in the front passenger's seat, be sure to move the front passenger's seat as far back as possible.



65D607



65D608

WARNING

Do not install a rear-facing child restraint in the front passenger's seat. If the passenger's air bag inflates, a child in a rear-facing child restraint could be killed or seriously injured. The back of a rear-facing child restraint would be too close to the inflating air bag.



65D609

⚠ WARNING

Children could be endangered in a crash if their child restraints are not properly secured in the vehicle. When installing a child restraint system, be sure to follow the instructions below. Be sure to secure the child in the restraint system according to the manufacturer's instructions.

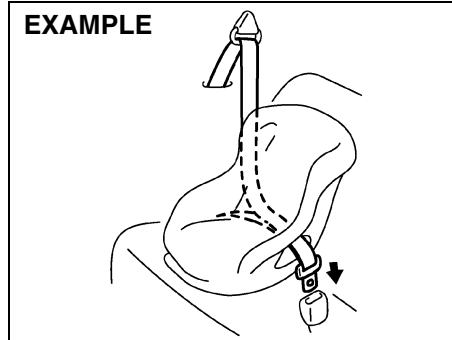
⚠ WARNING

In an accident or sudden stop, the rear seat armrest (if equipped) could fall forward. If there is a child in a rear-facing child restraint in the center seating position, the falling armrest could injure the child. Make sure the armrest is back in the seat and locked when not in use.

Installation with Lap-Shoulder Seat Belts (child restraint with no top strap)

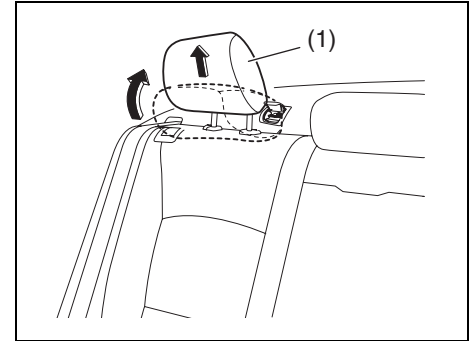
A-ELR type belt

EXAMPLE



83E031

Install your child restraint system according to the instructions provided by the child restraint system manufacturer. If you install the child restraint system in the front seat, be sure to slide the seat to the rearmost position. After making sure that the seat belt is securely latched:

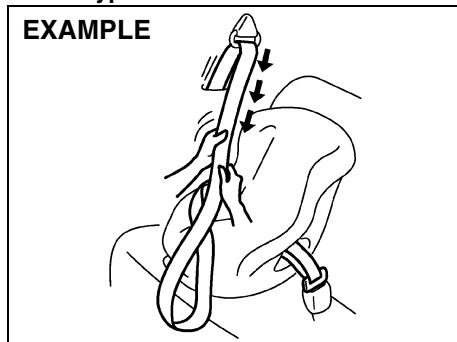


57L31032

- 1) If you install the child restraint system in the rear right or left seat, remove the head restraint (1) or raise the head restraint upright and make it lock at the highest position.

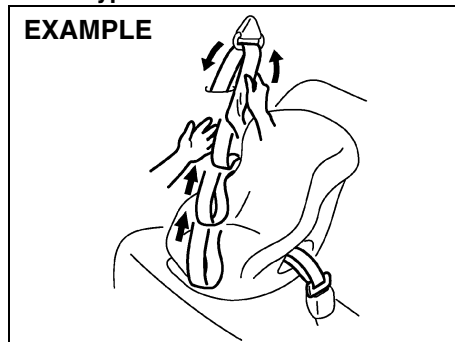
BEFORE DRIVING

A-ELR type belt



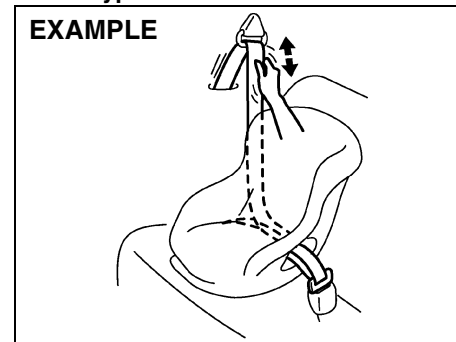
- 2) Pull all of the remaining webbing out of the retractor. You will hear a click, which means that the emergency locking retractor (ELR) has converted to function as an automatic locking retractor (ALR).

A-ELR type belt



- 3) Allow the extra webbing to retract, and pull the webbing toward the retractor to take up any slack. Make sure that the lap portion of the belt is tight around the child restraint system and the shoulder portion of the belt is positioned so that it cannot interfere with the child's head or neck.

A-ELR type belt



- 4) Make sure that the retractor has converted to the ALR mode by trying to pull webbing out of the retractor. If the retractor is in the ALR mode, the belt will be locked.

⚠ WARNING

If the retractor is not in the ALR mode, the child restraint system can move or tip over when your vehicle turns or stops abruptly.

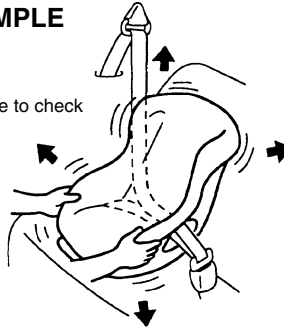
⚠ WARNING

Before installing a child restraint in the rear center seat, follow these steps for secure installation:

- Make sure the detachable connector is securely latched and the webbing is not twisted.
- Make sure the seat belt is passed through the seat belt guide.

A-ELR type belt**EXAMPLE**

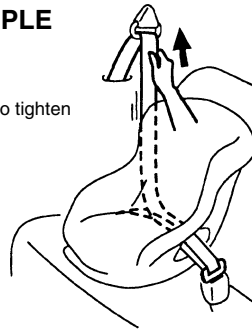
Move to check



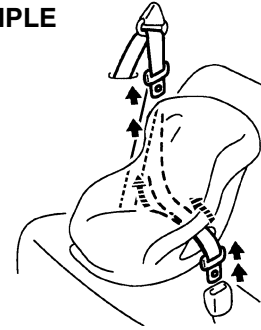
65D234

A-ELR type belt**EXAMPLE**

Pull to tighten



65D235

To revert from ALR to ELR**EXAMPLE**

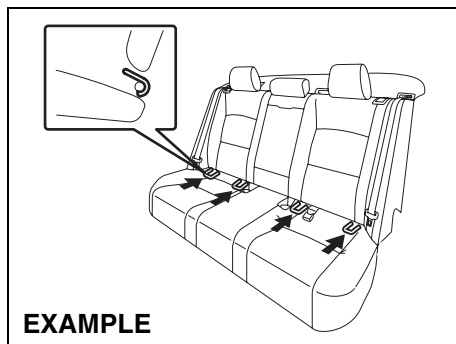
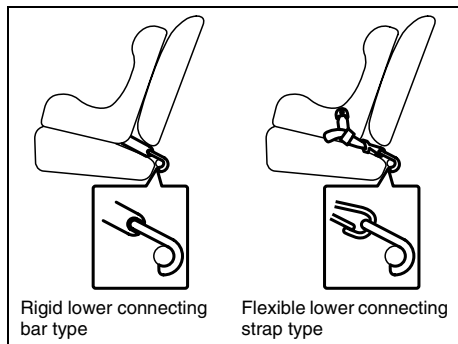
65D267

When you unbuckle the seat belt and allow it to retract to a certain length, the retractor will automatically revert back to the normal ELR mode.

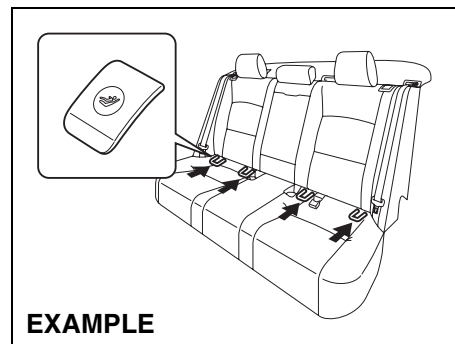
- 5) Try moving the child restraint system in all directions, to make sure it is securely installed. If you need to tighten the belt, pull more webbing toward the retractor.

BEFORE DRIVING

Installation with the LATCH System



Your vehicle is equipped with lower anchors for securing up to one or two standard LATCH-type child restraint(s) in the rear seats. (LATCH stands for Lower Anchors and Tethers for Children.) The anchors are located where the rear of the seat cushion meets the bottom of the seatback.



The covers marked with the child restraint symbol as shown in the illustration indicate the presence of lower anchors. Remove the covers before installing the child restraint system. Cover the lower anchors when not in use.

NOTE:

Stow the removed covers in the glove box or other appropriate stowage so they will not inconvenience the occupants.

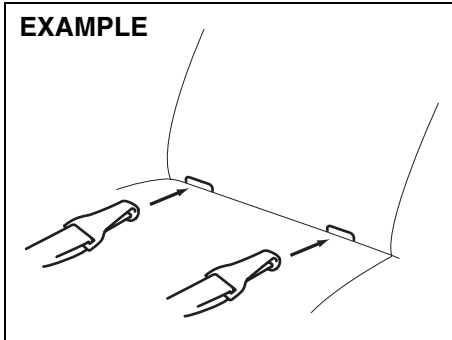
Install the LATCH-type child restraint system according to the instructions provided by the child restraint system manufacturer. After installing, try moving the child restraint system in all directions, especially forward to make sure the flexible straps or rigid connecting bars are securely latched to the anchors.

NOTE:

Although there are three rear seating positions, you cannot install three LATCH type child restraints in the rear seats. You can install one or two LATCH restraint(s). Be sure to install the LATCH type child restraint(s) in the outboard seating positions.

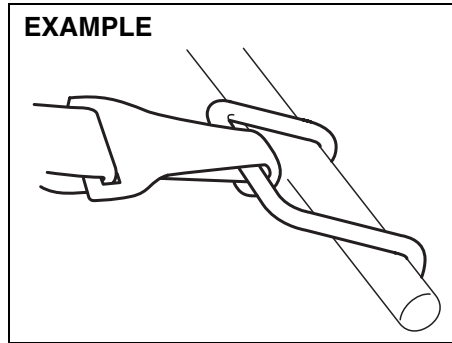
If your LATCH restraint has flexible lower connecting straps, these general instructions apply:

- 1) If possible, fold the seatback rearward for easier installation.



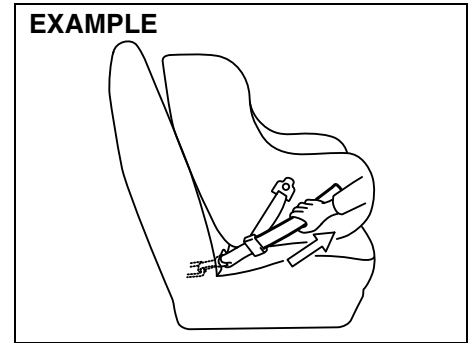
73K017

- 2) Place the child restraint in the rear seat, feeding the strap hooks through the slots in the seat cushion or the slots in the seatback bottom.



65D340

- 3) Snap the strap hooks to the anchors. Take care not to pinch your fingers.

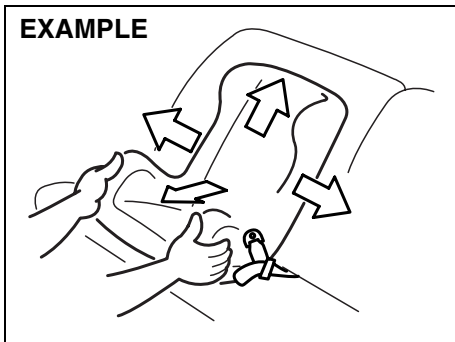


65D341

- 4) Return the seatback to the normal, upright position. Tighten the lower straps as described in the child restraint owner's manual. Attach the top tether strap, if applicable.

BEFORE DRIVING

EXAMPLE



65D342

- 5) Make sure the child restraint is securely fastened by trying to move the child restraint system in all directions, especially forward.

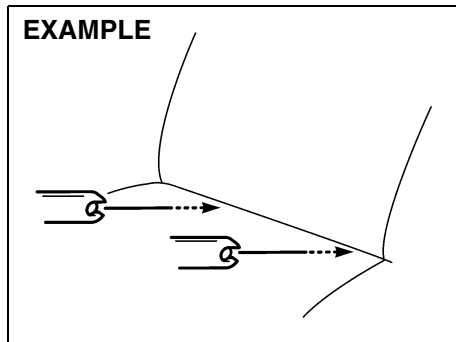
WARNING

The seatback should always be securely latched in a fairly upright position when any type of child seat is installed. An unlatched or reclined seatback will reduce the intended effectiveness of the child restraint system.

If your LATCH restraint has rigid lower connecting bars, these general instructions apply:

- 1) If possible, fold the seatback rearward for easier installation.

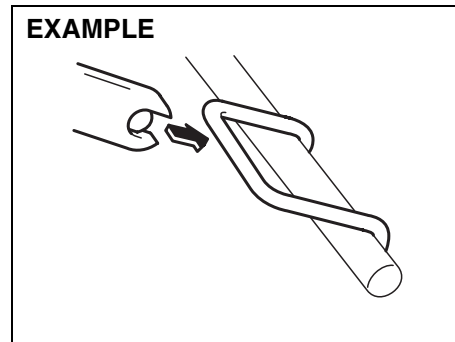
EXAMPLE



78F114

- 2) Place the child restraint in the rear seat, inserting the connecting bars through the slots in the seat cushion or the slots in the seatback bottom.

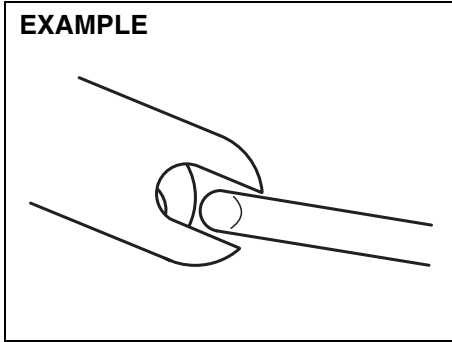
EXAMPLE



54G183

- 3) Use your hands to carefully align the connecting bar tips with the anchors. Take care not to pinch your fingers.

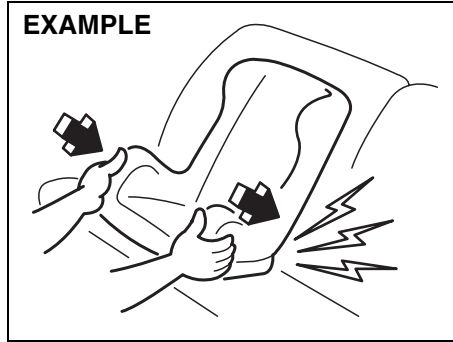
EXAMPLE



54G184

- 4) Push the child restraint toward the anchors so that the connecting bar tips are partially hooked to the anchors. Use your hands to confirm the position.

EXAMPLE



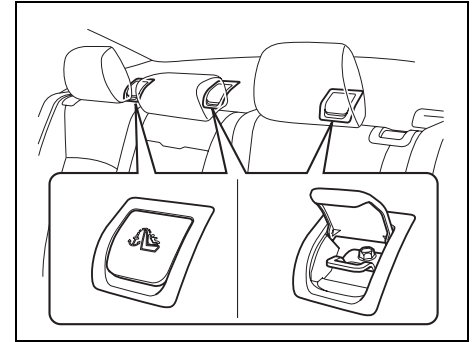
54G185

- 5) Grasp the front of the child restraint and push the child restraint forcefully to latch the connecting bars. Make sure they are securely latched by trying to move the child restraint system in all directions, especially forward.
- 6) Return the seatback if folded. Attach the top tether strap, if applicable.

⚠ WARNING

The seatback should always be securely latched in a fairly upright position when any type of child seat is installed. An unlatched or reclined seatback will reduce the intended effectiveness of the child restraint system.

Installation of Child Restraint with Top Strap



57L21048

Some child restraint systems require the use of a top strap. Top strap anchor brackets are provided in your vehicle at the locations shown in the illustrations. Install the child restraint system as follows:

- 1) Secure the child restraint on the rear seat using the procedure described above for securing a restraint system that does not require a top strap.
- 2) Open the cover that is marked with the anchor bracket symbol to access the anchor bracket. Close the cover when not using the anchor bracket.
- 3) Hook the top strap to the anchor bracket and tighten the top strap according to the instructions provided by the child restraint system manufacturer. Be sure to attach the top strap to the corresponding anchor located

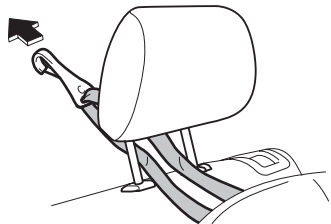
BEFORE DRIVING

directly behind the child restraint. Do not attach the top strap to the luggage restraint loops (if equipped).

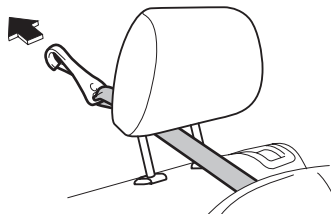
WARNING

Do not attach the child restraint top strap to the luggage restraint loops (if equipped). Incorrectly attached top strap will reduce the intended effectiveness of the child restraint system.

Type 1



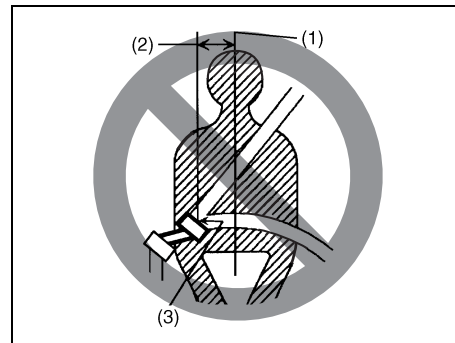
Type 2



57L21049

- 4) When routing the top strap, be sure to pass the top strap as shown in the illustration. (Refer to "Adjustable Head Restraints" section for details on how to raise or lower the head restraint.)
- 5) Make sure that cargo does not interfere with routing of the top strap.

Seat Belt Extender



65D613

- (1) Center of body
- (2) Less than 152 mm (6 inches)
- (3) Open end of extender buckle

If a seat belt cannot be fastened securely because it is not long enough, see an authorized SUZUKI dealer for a seat belt extender. Seat belt extenders are available for each seating position except for the rear center position. After inspecting the relationship between the seat belt length, the occupant's body size, and the seat adjustment (the driver's seat should always be adjusted as far back as possible while still maintaining control of the vehicle, and other adjustable seats should be adjusted as far back as possible), your dealer can select the appropriate seat belt extender.

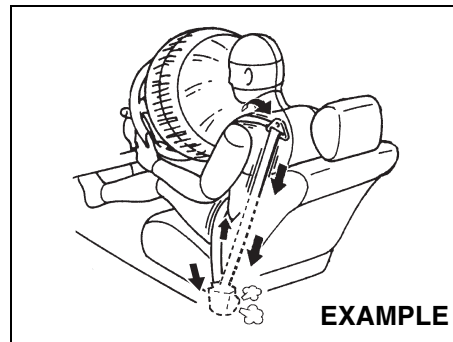
- A seat belt extender should only be used for the person, vehicle and seating location it was provided for.
- When using the extender, ensure that both ends are latched securely. Do not use the extender if the open end of the extender's buckle is within 152 mm (6 inches) of the center of the occupant's body (See diagram). Use of the extender when the buckle is too close to the center of the body could increase the risk of abdominal injury in the event of an accident, and could cause the shoulder belt to be positioned incorrectly.
- Make sure to use the correct buckle corresponding to your seating position.
- Seat belt extenders are not intended for use by pregnant women, and should only be used upon approval by their medical advisors.
- Remove and stow the extender when it is not being used.

⚠ WARNING

Failure to follow these instructions may increase the risk of injury in a crash.

- **Only use an extender for the person, vehicle and seating position it was provided for.**
- **Do not use if open end of extender's buckle is within 152 mm (6 inches) of center of occupant's body (See diagram).**
- **Remove and stow the extender when it is not being used.**

Seat Belt Pretensioner System (for front seat belt only)



57L21125

⚠ WARNING

This section of the owner's manual describes your SUZUKI's SEAT BELT PRETENSIONER SYSTEM. Please read and follow ALL these instructions carefully to minimize your risk of severe injury or death.

Your vehicle is equipped with a seat belt pretensioner system at the front seating positions. You can use the pretensioner seat belts in the same manner as ordinary seat belts.

The seat belt pretensioner system works with the SUPPLEMENTAL RESTRAINT SYSTEM (advanced air bags). The crash sensors and the electronic controller of the air bag system also control the seat belt pretensioners. The pretensioners are triggered only when there is a frontal or side crash severe enough to trigger the air bags and the seat belts are fastened. If the seat belts are not fastened, the respective pretensioner system will not be activated. For precautions and general information including servicing the pretensioner system, refer to the "Supplemental Restraint System (air bags)" section in addition to this "Seat Belt Pretensioner System" section, and follow all those precautions.

BEFORE DRIVING

The front seat belt retractors and lap belt anchorages are each provided with a pretensioner. The pretensioner tightens the seat belt so the belt fits the occupant's body more snugly in the event of a frontal or side crash. The retractors will remain locked after the pretensioners are activated. Upon activation, some noise will occur and some smoke may be released. These conditions are not harmful and do not indicate a fire in the vehicle.

The driver and all passengers must be properly restrained by wearing seat belts at all times, whether or not a pretensioner is equipped at their seating position, to help minimize the risk of severe injury or death in the event of a crash.

Sit fully back in the seat; sit up straight; do not lean forward or sideways. Adjust the belt so the lap portion of the belt is worn low across the pelvis, not across the waist. Please refer to the "Seat Adjustment" section and the instructions and precautions about the seat belts in this "Seat Belts and Child Restraint Systems" section for details on proper seat and seat belt adjustments. Please note that the pretensioners along with the air bags will activate only in severe frontal or side collisions. They are not designed to activate in rear impacts, roll-overs or minor frontal collisions. The pretensioners can be activated only once. If the pretensioners are activated (that is, if the air bags are activated), have the pre-

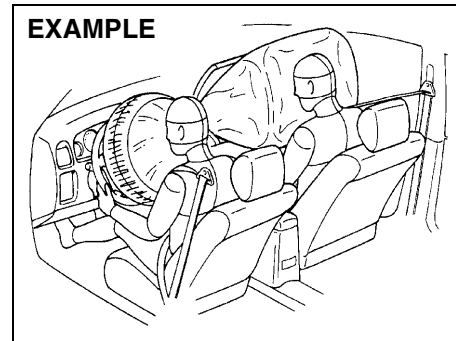
tensioner system serviced by an authorized SUZUKI dealer as soon as possible.

If the AIR BAG light on the instrument cluster does not blink or come on briefly when the ignition mode is changed to "ON" by pressing the engine switch, stays on for more than 10 seconds, or comes on while driving, the pretensioner system or the air bag system may not work properly. Have both systems inspected by an authorized SUZUKI dealer as soon as possible.

Service on or around the pretensioner system components or wiring must be performed only by an authorized SUZUKI dealer who is specially trained. Improper service could result in unintended activation of pretensioners or could render the pretensioner inoperative. Either of these two conditions may result in personal injury.

To prevent damage or unintended activation of the pretensioners, be sure the battery is disconnected and the engine switch has been in the "LOCK" (OFF) mode for at least 90 seconds before performing any electrical service work on your SUZUKI. Do not touch pretensioner system components or wiring. The wires are wrapped with yellow tape or yellow tubing, and the couplers are yellow. When scrapping your SUZUKI, ask an authorized SUZUKI dealer, body repair shop or scrap yard for assistance.

Supplemental Restraint System (air bags)



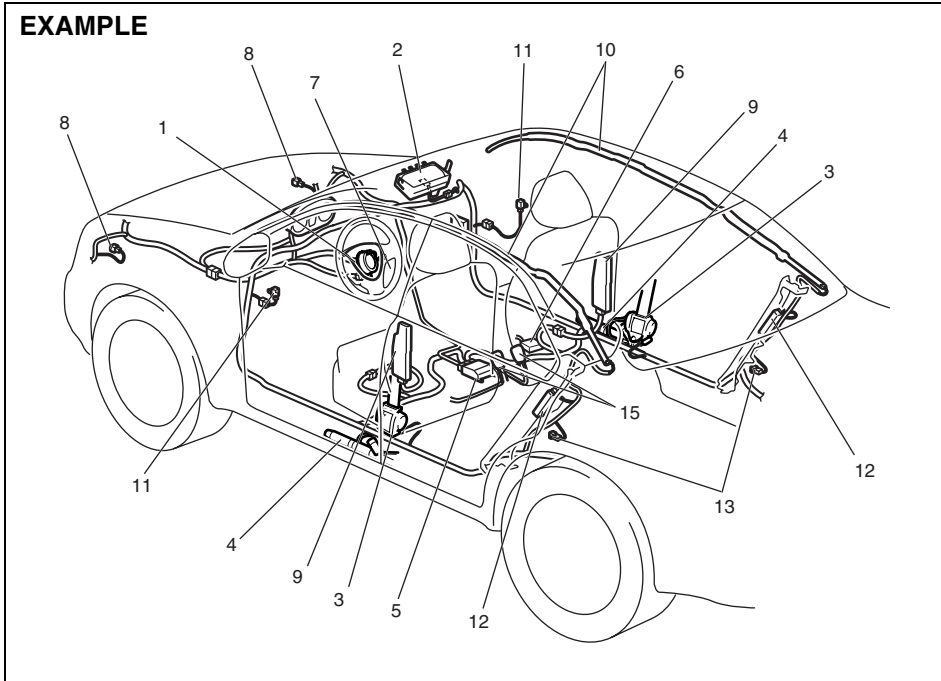
54G022

▲ WARNING

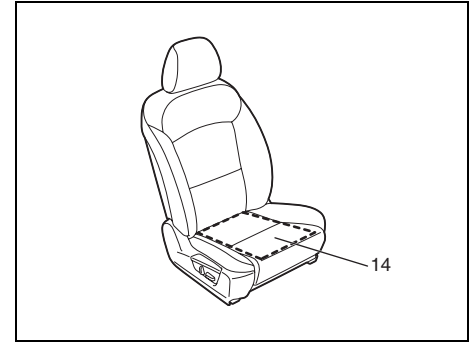
This section of the owner's manual describes the protection provided by your SUZUKI's SUPPLEMENTAL RESTRAINT SYSTEM (air bags). Please read and follow ALL these instructions carefully to minimize your risk of severe injury or death in the event of a collision.

Your vehicle has advanced front air bags and front side air bags for the driver and right front passenger. Your vehicle also has side curtain air bags and rear side air bags.

EXAMPLE



57L21050



57L21051

Your vehicle is equipped with a Supplemental Restraint System consisting of the following components in addition to a lap-shoulder belt at each front seating position.

1. Driver's front air bag
2. Front passenger's front air bag
3. Seat belt pretensioners
4. Lap outer pretensioners
5. Air bag controller
6. Occupant classification module
7. "PASS AIR BAG OFF" indicator
8. Forward crash sensors
9. Front side air bags
10. Side curtain air bags
11. Side crash sensors
12. Rear side air bags
13. Rear side crash sensors
14. Front passenger's sensor mat
15. Seat belt buckle sensors

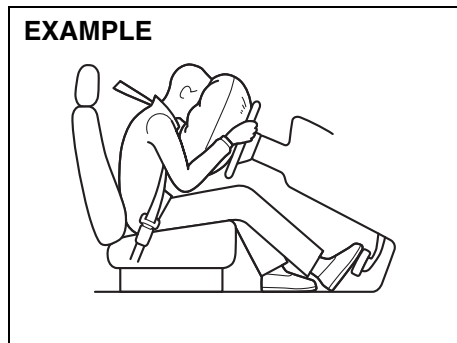
BEFORE DRIVING



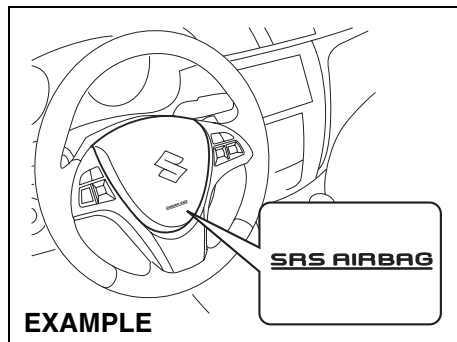
63J030

If the AIR BAG light on the instrument cluster does not blink or come on when the ignition mode is first changed to "ON" by pressing the engine switch, or the AIR BAG light stays on, or comes on while driving, the air bag system (or the seat belt pretensioner system) may not work properly. Have the air bag system inspected by an authorized SUZUKI dealer as soon as possible.

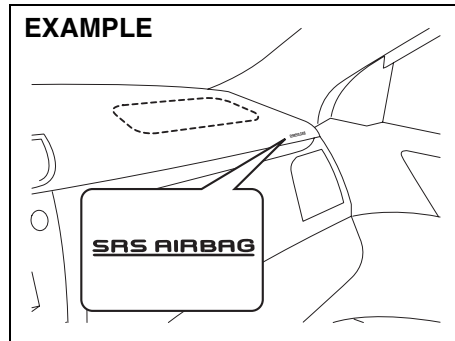
Front Air Bags



80JS026



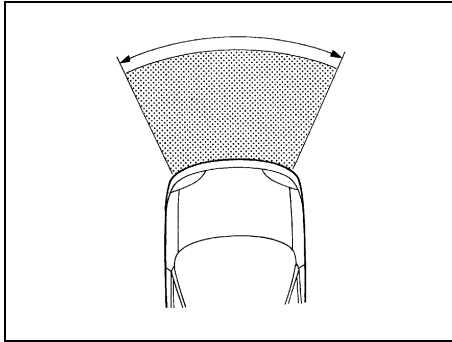
57L21115



57L21116

The driver's front air bag is located behind the center pad of the steering wheel and the front passenger's front air bag is located behind the passenger's side of the dashboard. The words "SRS AIRBAG" are molded into the air bag covers to identify the location of the air bags.

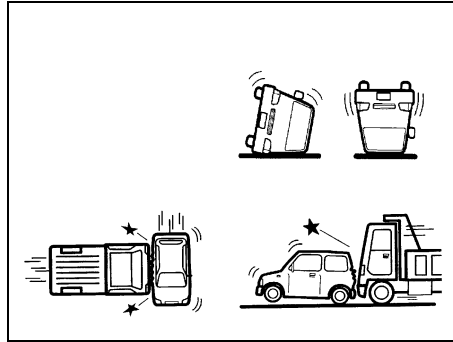
Frontal collision range



60G032

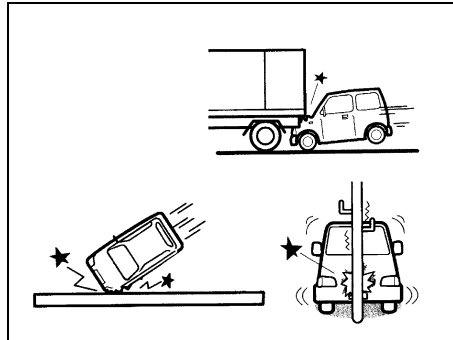
Front air bags are designed to inflate only in severe frontal collisions.

Front air bags will not inflate



65D236

Front air bags will probably not inflate



65D237

Front air bags are not designed to inflate in rear impacts, side impacts, rollovers or minor frontal collisions, since they would offer no protection in those types of accidents. Remember, since air bags deploy only one time during an accident, seat belts are needed to restrain occupants from further movements during the accident.

Therefore, an air bag is NOT a substitute for seat belts. To maximize your protection, **ALWAYS WEAR YOUR SEAT BELTS.** Be aware that no system can prevent all possible injuries that may occur in an accident.

⚠ WARNING

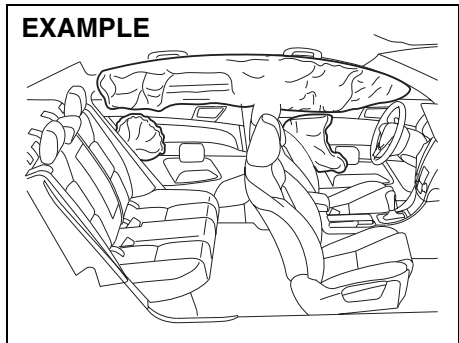
An air bag supplements, or adds to, the crash protection offered by seat belts. The driver and all passengers must be properly restrained by wearing seat belts at all times, whether or not air bags are mounted at their seating position, to minimize the risk of severe injury or death in the event of a crash.

Your vehicle has “dual stage” front air bags, which adjust the air bag inflation force according to crash severity. Also, your vehicle has a front passenger sensing system, which turns off the front passenger’s front air bag and seat belt pretensioner under certain conditions.

BEFORE DRIVING

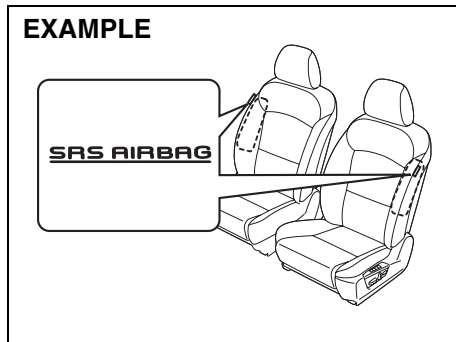
Front Side Air Bags, Rear Side Air Bags and Side Curtain Air Bags

EXAMPLE



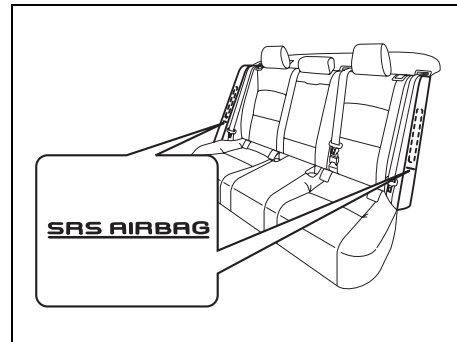
57L21052

EXAMPLE



57L21053

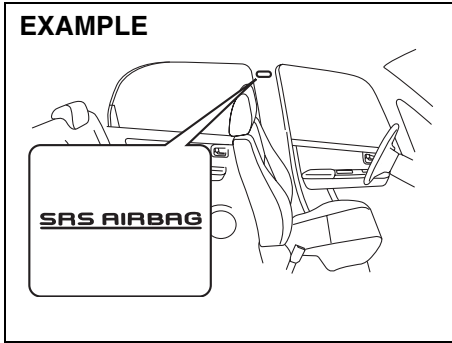
Front side air bags are located in the part of the front seatbacks closest to the doors. The words "SRS AIRBAG" are indicated on the tag to identify the location of the front side air bags.



57L21054

The rear side air bags are stowed in the covers at both door-side ends of the rear seatback. The words "SRS AIRBAG" are molded into each of the seatback ends.

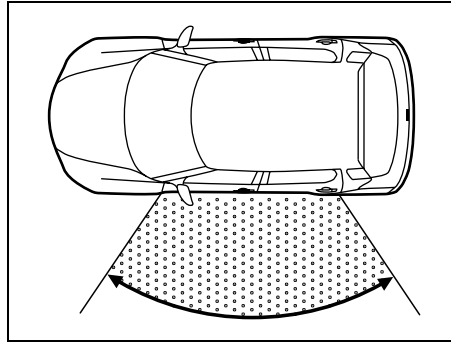
EXAMPLE



80JM146

Side curtain air bags are located in the roof lining. The words "SRS AIRBAG" are molded into the pillar to identify the location of the side curtain air bags.

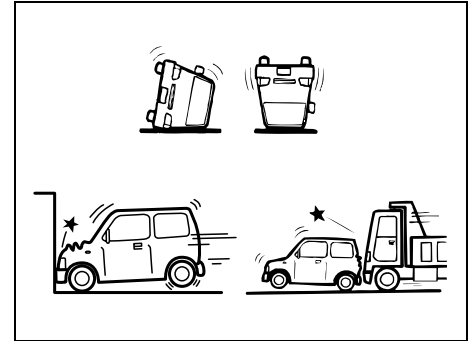
Side collision range



80JM032

Front side air bags, rear side air bags and side curtain air bags are designed to inflate only in severe side impact collisions.

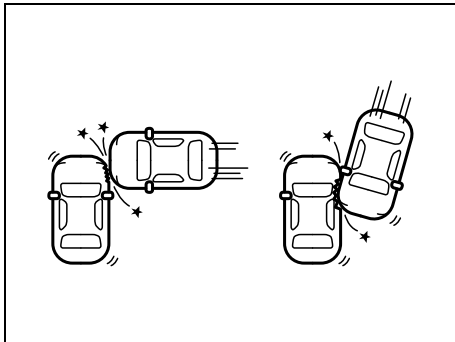
Front side air bags, rear side air bags and side curtain air bags will not inflate



54G027

BEFORE DRIVING

Front side air bags, rear side air bags and side curtain air bags will probably not inflate



57L21126

Front side air bags, rear side air bags and side curtain air bags are not designed to inflate in frontal or rear collisions, rollovers or minor side collisions, since they would offer no protection in those types of accidents. Only the front side air bag, rear side air bag and side curtain air bag on the side of the vehicle that is struck will inflate. However, in a frontal angle collision, the right and left front side air bags, rear side air bags and side curtain airbags may inflate. Remember, since an air bag deploys only one time during an accident, seat belts are needed to restrain occupants from further movements during the accident.

Therefore, an air bag is NOT a substitute for seat belts. To maximize your protection,

ALWAYS WEAR YOUR SEAT BELTS. Be aware that no system can prevent all possible injuries that may occur in an accident.

▲ WARNING

An air bag supplements, or adds to, the crash protection offered by seat belts. The driver and all passengers must be properly restrained by wearing seat belts at all times, whether or not air bags are mounted at their seating position, to minimize the risk of severe injury or death in the event of a crash.

▲ WARNING

If the AIR BAG light in the instrument cluster ever comes on and stays on, it means that something may be wrong with the air bag system. If this ever happens, have the vehicle serviced immediately, because the air bags may not offer the protection for which they were designed.

Front Passenger's Seat Belt Buckle Sensor

The front passenger's seat belt buckle is equipped with a sensor to monitor whether or not the front passenger's seat belt is fastened.

▲ WARNING

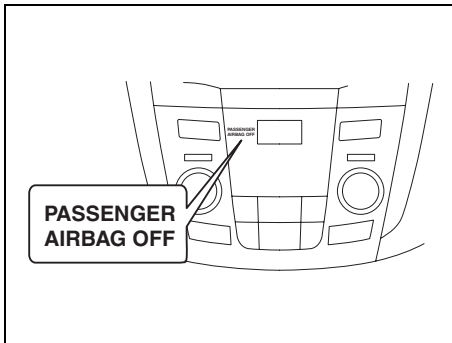
When the buckle sensor has a problem, the AIR BAG light on the instrument cluster will turn on. If this happens, deployment of the front passenger's air bag will not include consideration of whether the front passenger's seat belt is fastened or not. Have the air bag system inspected by an authorized SUZUKI dealer as soon as possible.

Front Passenger Sensing System

The front passenger sensing system will turn off the front passenger's front air bag and seat belt pretensioner under certain conditions. This system works using a sensor mat that is part of the front passenger's seat. The front passenger sensing system is designed to detect whether an occupant is present in the seat and, if an occupant is present, to determine whether the front passenger's front air bag and seat belt pretensioner should be enabled or disabled (turned off).

NOTE:

The front passenger's side air bag and the side curtain air bag are not controlled by the front passenger sensing system.



57L21055

When you press the engine switch to change the ignition mode to "ON", the "PASS AIR BAG OFF" indicator comes on for several seconds to let you know the system is working. When the front passenger sensing system has turned off the front passenger's front air bag including the seat belt pretensioner, the "PASS AIR BAG OFF" indicator will come on and stay on to remind you that the front passenger's front air bag is off.

The front passenger sensing system uses front seat pressure measurements and pressure locations to determine whether to activate or deactivate the front passenger's front air bag. The front passenger sensing system may or may not turn off the front air bag, depending on the front passenger's seating posture and body build. The air bag should be turned off in the following situations:

- There is no occupant in the front passenger seat.
- The occupant of the front passenger seat lifts his or her weight off of the seat for a period of time.
- The occupant of the front passenger seat is an infant or small child in a child restraint system or a small child in a booster seat.
- A smaller person, such as a child who has outgrown child restraints or a very small adolescent is seated in the front passenger seat.

NOTE:

If the front passenger seat is unoccupied, the "PASS AIR BAG OFF" indicator will not come on but the front passenger's front air bag will not deploy and the seat belt pretensioner will not operate.

If you have secured a child in the front passenger seat in a forward-facing child restraint system or booster seat and the "PASS AIR BAG OFF" indicator light is not on, turn the vehicle off, remove the child restraint or booster seat from the vehicle and reinstall it following the child restraint or booster seat manufacturer's directions. Also refer to "Seat Belts and Child Restraint Systems" in this section. If, after reinstalling the child restraint and restarting the vehicle, the "PASS AIR BAG OFF" indicator is still not lit, check to make sure that the vehicle's seatback is not pressing the child restraint into the seat cushion. If this happens, slightly recline the vehicle's seatback and adjust the seat cushion if possible. Also make sure the child restraint is not trapped under the vehicle head restraint. If this happens, adjust the head restraint. If the "PASS AIR BAG OFF" indicator is still not on, secure the child in the child restraint or booster seat in a rear seat position in the vehicle and check with your dealer.

BEFORE DRIVING



65D607

⚠ WARNING

Do not install a rear-facing child restraint in the front passenger's seat. If the passenger's front air bag inflates, a child in a rear-facing child restraint could be seriously injured. The back of a rear-facing child restraint would be too close to the inflating air bag.

According to accident statistics, children are safer when properly restrained in rear seating positions than in front seating positions. Whenever possible, SUZUKI recommends you install child restraints in the rear seat.

The front passenger sensing system is designed to enable the front passenger's front air bag when the system senses a properly-seated adult in the front passenger's seat. When the passenger sensing system has allowed the air bag to be enabled, the "PASS AIR BAG OFF" indicator will remain off to remind you that the air bag is active.

If a person of adult size is sitting in the front passenger's seat and the "PASS AIR BAG OFF" indicator comes on, it could be because that person isn't sitting properly in the seat. If this happens, unfasten the seat belts, sit upright in the center of the seat with the seatback nearly vertical and your legs outstretched, and refasten the seat belt.



52D258

When seated as shown in the above illustration, the front passenger sensing system senses a properly-seated occupant and enables the air bag.

When using a seat belt extender, follow the instructions in the "Seat Belt Extender" section.

⚠ WARNING

Do not place any heavy objects on the front passenger's seat. The pressure sensors in the sensor mat could be damaged and the front passenger sensing system may not work properly.

⚠ WARNING

The front passenger sensing system may not work properly in the following situations:

- The occupant is sitting near the dashboard or is not sitting in the proper position.
- Objects placed under the seat are pushing up on the seat cushion.

⚠ WARNING

If the "PASS AIR BAG OFF" indicator on the instrument panel turns on even though there is no occupant or an adult occupant in the front passenger's seat, it means that something may be wrong with the passenger sensing system. Have the system inspected by an authorized SUZUKI dealer as soon as possible.

⚠ WARNING

- Do not spill any liquids on the seat. Liquids can damage the sensors under the front seat.
- Have the front passenger's sensor mat inspected by your dealer after a collision.
- Do not replace the front seats. If you replace them, the air bags and front passenger sensing system may not work properly.
- Do not use a seat cover. If you use a seat cover, the front passenger sensing system may not work properly.

How the System Works

In a frontal collision, the crash sensors will detect rapid deceleration and send a signal to the controller. If the controller judges that the deceleration represents a severe frontal crash, the controller will trigger the inflators. The controller also judges:

- Whether the front air bags should deploy at reduced power or at full power according to crash severity.
- Whether the air bags should deploy at reduced power or at full power according to crash severity.
- Whether the front passenger's front air bag should deploy or not based on classification of the occupant of the front passenger's seat.

Since your vehicle is equipped with front side air bags, rear side air bags and side curtain air bags, crash sensors will detect a side collision, and if the controller judges that the side collision is severe enough, it will trigger the front side air bag, rear side air bags and side curtain air bag inflators.

The inflators inflate the appropriate air bags with nitrogen or argon gas. The inflated air bags provide a cushion for your head (front air bags and side curtain air bags only) and upper body. The air bag inflates and deflates so quickly that you may not even realize that it has activated. The air bag will neither hinder your view nor make it harder to exit the vehicle.

BEFORE DRIVING

Air bags must inflate quickly and forcefully in order to reduce the chance of serious or fatal injuries. However, an unavoidable consequence of the quick inflation is that the air bag may irritate bare skin, such as the facial area against a front air bag. Also, upon inflation, a loud noise will occur and some powder and smoke will be released. These conditions are not harmful and do not indicate a fire in the car. Be aware, however, that some air bag components may be hot for a while after inflation.

A seat belt helps keep you in the proper position for maximum protection when an air bag inflates. Adjust your seat as far back as possible while still maintaining control of the vehicle. Sit fully back in your seat; sit up straight; do not lean over the steering wheel or dashboard. Front occupants should not lean on or sleep against the door. Please refer to the "Seat Adjustment" section and the "Seat Belts and Child Restraint Systems" section in the "BEFORE DRIVING" section for details on proper seat and seat belt adjustments.



65D610



54G582

▲ WARNING

- The driver should not lean over the steering wheel. The front passenger should not rest his or her body against the dashboard, or otherwise get too close to the dashboard. For vehicles with side air bags, rear side air bags and side curtain air bags, occupants should not lean on or sleep against the door. In these situations, the out-of-position occupant would be too close to an inflating air bag, and may suffer severe injury.
- Do not attach any objects to, or place any objects over, the steering wheel or dashboard. Do not place any objects between the air bag and the driver or front passenger. These objects may interfere with air bag operation or may be propelled by the air bag in the event of a crash. Either of these conditions may cause severe injury.
- For vehicles with front side air bags, do not place seat covers on the front seats, because seat covers could restrict the air bag's inflation. Also, do not place any cup holders or other objects on the door, as these objects could be propelled by the air bag in the event of a crash. Either of these conditions may cause severe injury.

Note that even though your vehicle may be moderately damaged in a collision, the collision may not have been severe enough to trigger the front, side, rear side, or side curtain air bags to inflate. If your car sustains ANY front-end or side damage, have the air bag system inspected by an authorized SUZUKI dealer to ensure it is in proper working order.

Your vehicle is equipped with a diagnostic module which records information about the air bag system if the air bags deploy in a crash. The module records information about overall system status, which sensors activated the deployment, and whether the front seat belts were in use.

Servicing the Air Bag System

If the air bags inflate, have the air bags and related components replaced by an authorized SUZUKI dealer as soon as possible.

If your vehicle ever gets in deep water and the driver's floor is submerged, the air bag controller could be damaged. If this happens, have the air bag system inspected by the SUZUKI dealer as soon as possible.

Special procedures are required for servicing or replacing an air bag. For that reason, only an authorized SUZUKI dealer should be allowed to service or replace your air bags. Please remind anyone who services your SUZUKI that it has air bags.

Service on or around air bag components or wiring must be performed only by an authorized SUZUKI dealer. Improper service could result in unintended air bag deployment or could render the air bags inoperative. Either of these two conditions may result in severe injury.

To prevent damage or unintended inflation of the air bag system, be sure the battery is disconnected and the engine switch has been in the "LOCK" (OFF) mode for at least 90 seconds before performing any electrical service work on your SUZUKI. Do not touch air bag system components or wires. The wires are wrapped with yellow tape or yellow tubing, and the couplers are yellow for easy identification.

Scrapping a car that has an undeployed air bag can be hazardous. Ask your dealer, body repair shop or scrap yard for help with disposal.

BEFORE DRIVING

If it is necessary to modify the advanced front air bag system to accommodate a person with disabilities, owners in the continental United States can call American Suzuki toll-free at 1-800-934-0934, or write to:

American Suzuki Motor Corporation
Automotive Customer Relations
3251 East Imperial Highway
Brea, CA 92821-6795

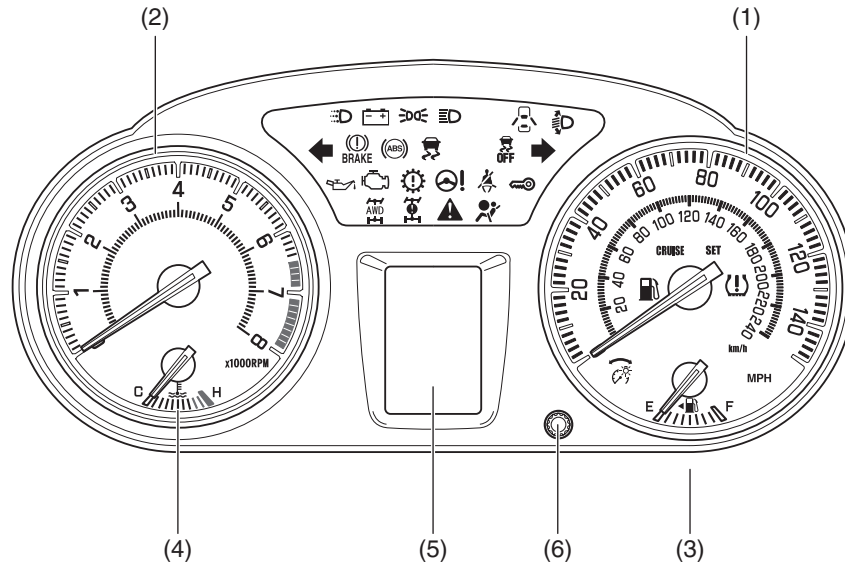
If you purchased your SUZUKI in Canada please contact the Suzuki Canada Customer Relations Department by telephone at 1-905-889-2677 extension 2254 or in writing at:

Suzuki Canada Inc.
Customer Relations
100 East Beaver Creek Road
Richmond Hill, On
L4B 1J6

Instrument Cluster

1. Speedometer
2. Tachometer
3. Fuel gauge
4. Temperature gauge
5. Information display
6. Brightness control knob

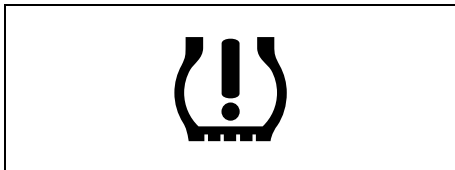
EXAMPLE



57L21056

Warning and Indicator Lights

Low Tire Pressure Warning Light (if equipped)



52D305

As an added safety feature, your vehicle has been equipped with a tire pressure monitoring system (TPMS) that uses a low tire pressure warning light to inform you when one or more of your tires is significantly under-inflated.

When you press the engine switch to change the ignition mode to "ON", this light comes on briefly so you can check that the light is working.

When the low tire pressure warning light is lit, one or more of your tires is significantly under-inflated. You should stop and check your tires as soon as possible, and inflate them to the proper pressure as indicated on the vehicle's tire information placard. Driving on a significantly under-inflated tire causes the tire to overheat and can lead to tire failure. Under-inflation also reduces fuel efficiency and tire tread life, and may affect the vehicle's handling and stopping ability. Each tire, including the spare,

should be checked at least once a month when cold and set to the recommended inflation pressure as specified in the vehicle placard and owner's manual.

The low tire pressure warning light is also used to inform you of a TPMS malfunction. When the system detects a malfunction, this light will flash for approximately one minute and then remain continuously illuminated. This sequence will be repeated after the ignition mode is changed to "ON" by pressing the engine switch as long as the malfunction exists.

NOTE:

The low tire pressure warning light may not come on immediately if you have a sudden loss of air pressure.

▲ WARNING

The load rating of your tires is reduced at lower inflation pressures. If your tires become even moderately under-inflated, the vehicle load may exceed the load rating of the tires, which can lead to tire failure. The low tire pressure warning light will not alert you of this condition. The warning light will only come on when one or more of your tires become significantly under-inflated. Check and adjust your tire inflation pressure at least once a month. Refer to "Tires" in the "INSPECTION AND MAINTENANCE" section.

▲ WARNING

If the low tire pressure warning light does not light for 2 seconds after pressing the engine switch to change the ignition mode to "ON", or comes on and blinks while driving there may be a problem with the tire pressure monitoring system. Have your vehicle inspected by an authorized SUZUKI dealer. Even if the light turns off after blinking, indicating that monitoring system has recovered, make sure to have an authorized SUZUKI dealer check the system.

⚠ WARNING

If the low tire pressure warning light comes on and stays on, reduce your speed and avoid abrupt steering and braking. Stop in a safe place as soon as possible and check your tires.

- If you have a flat tire, replace it with the spare tire. Refer to “Jacking Instructions” in the “EMERGENCY SERVICE” section. Refer to “Replacing Tires and/or Wheels” for instructions on how to restore normal operation of the tire pressure monitoring system after you have had a flat tire.
- If one or more of your tires is under-inflated, adjust the inflation pressure in all of your tires to the recommended inflation pressure as soon as possible.

Be aware that driving on a significantly under-inflated tire can cause the tire to overheat and can lead to tire failure, and may affect steering control and brake effectiveness. This could lead to an accident, resulting in severe injury or death.

Refer to “Tire Pressure Monitoring System” in the “OPERATING YOUR VEHICLE” section for additional details on the tire pressure monitoring system. Refer to “Tires” in the “INSPECTION AND MAINTENANCE” section for information on maintaining proper tire pressure.

Brake System Warning Light

65D477

This light comes on briefly when you press the engine switch to change the ignition mode to “ON”. The light also comes on under the following conditions: 1) when the parking brake is engaged and 2) when the fluid in the brake fluid reservoir falls below the specified level. The light should go out after fully releasing the parking brake, if the fluid level in the brake fluid reservoir is adequate.

If this light and the ABS warning light stay on, or come on simultaneously when driving, then there may be something wrong with both the rear brake proportioning valve function and anti-lock function of the ABS.

If the brake system warning light comes on while you are driving the vehicle, it may mean that there is something wrong with the vehicle’s brake system. If this happens, you should:

BEFORE DRIVING

- 1) Pull off the road and stop carefully.

WARNING

Remember that stopping distance may be longer, you may have to push harder on the pedal, and the pedal may go down farther than normal.

- 2) Test the brakes by carefully starting and stopping on the shoulder of the road.
 - 3) If you determine that it is safe, drive cautiously at low speed to the nearest dealer for repairs,
- or
- 4) Have the vehicle towed to the nearest dealer for repairs.

WARNING

If any of the following conditions occur, you should immediately ask an SUZUKI dealer to inspect the brake system.

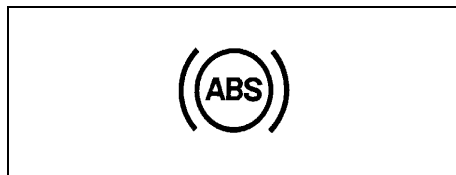
- If the brake system warning light does not go out after the parking brake has been fully released.
- If the brake system warning light does not come on when you press the engine switch to change the ignition mode to "ON".
- If the brake system warning light comes on at any time during vehicle operation.

NOTE:

Because the disc brake system is self-adjusting, the fluid level will drop as the brake pads become worn.

Replenishing the brake fluid reservoir is considered normal periodic maintenance.

Anti-Lock Brake System (ABS) Warning Light



65D529

When you press the engine switch to change the ignition mode to "ON", the light comes on briefly so you can check that the light is working. If the light stays on, or comes on when driving, there may be something wrong with the ABS.

If the ABS light and the brake system warning light stay on, or come on simultaneously when driving, then there may be something wrong with both the rear brake proportioning valve function and anti-lock function of the ABS.

If one of these happens, have the system inspected by an authorized SUZUKI dealer. If the ABS becomes inoperative, the brake system will function as an ordinary brake system that has no ABS.

For details of the ABS, refer to "Anti-Lock Brake System (ABS)" in the "OPERATING YOUR VEHICLE" section.

ESP® Warning Light



52KM133

ESP® is a registered trademark of Daimler AG.

This light blinks 5 times per second when one of the ESP® systems other than ABS is activated. If this light blinks, drive carefully.

When you press the engine switch to change the ignition mode to "ON", the light comes on briefly so you can check that the light is working. If the light stays on, or comes on when driving and remains on, there may be something wrong with the ESP® systems (other than ABS). You should have the system inspected by an authorized SUZUKI dealer.

NOTE:

When you disconnect and re-connect the battery, ESP[®] system functions other than ABS will be deactivated. For details on how to reactive the ESP[®] systems, refer to “ESP[®] Warning Light” in the “OPERATING YOUR VEHICLE” section.

For details of the ESP[®] systems, refer to “Electronic Stability Program (ESP[®])” in the “OPERATING YOUR VEHICLE” section.


WARNING

The ESP[®] systems cannot prevent accidents. Always drive carefully.

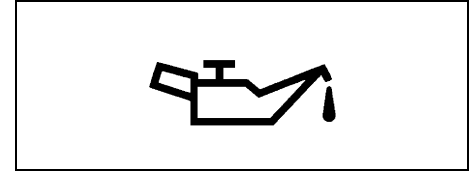
“ESP[®] OFF” Indicator Light

57L30045

When you press the engine switch to change the ignition mode to “ON”, this light comes on briefly so you can check that the light is working.

When the “ESP[®] OFF” switch is pushed to turn off the ESP[®] systems (other than ABS), the “ESP[®] OFF” light comes on and stays on.

For details of the ESP[®] systems, refer to “Electronic Stability Program (ESP[®])” in the “OPERATING YOUR VEHICLE” section.

Oil Pressure Light

50G051

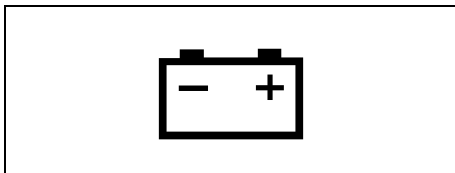
This light comes on when you press the engine switch to change the ignition mode to “ON”, and goes out when the engine is started. The light will come on and remain on if there is insufficient oil pressure. If the light comes on when driving, pull off the road as soon as you can and stop the engine. Check the oil level and add oil if necessary. If there is enough oil, the lubrication system should be inspected by an authorized SUZUKI dealer before you drive the vehicle again.

CAUTION

- **If you operate the engine with this light on, severe engine damage can result.**
- **Do not rely on the Oil Pressure Light to indicate the need to add oil. Be sure to periodically check the engine oil level.**

BEFORE DRIVING

Charging Light



50G052

This light comes on when you press the engine switch to change the ignition mode to “ON”, and goes out when the engine is started. The light will come on and remain on if there is something wrong with the battery charging system. If the light comes on when the engine is running, the charging system should be inspected immediately by an authorized SUZUKI dealer.

Driver’s Seat Belt Reminder Light



60G049

If the driver’s seat belt is unbuckled when you press the engine switch to change the ignition mode to “ON”, this light will come on and then blink. When the light comes on, a buzzer will also sound intermittently for about 6 seconds. The reminder will repeat several times under certain conditions until the driver’s seat belt is buckled. After repeating several times, the reminder will be canceled even if the driver’s seat belt remains unbuckled.

For details about the seat belt reminder, refer to “Seat Belts and Child Restraint Systems” in this section.

WARNING

It is absolutely essential that the driver and passengers wear their seat belts at all times. Persons who are not wearing seat belts have a much greater risk of injury if an accident occurs. Make a regular habit of buckling your seat belt before starting the engine.

AIR BAG Light



63J030

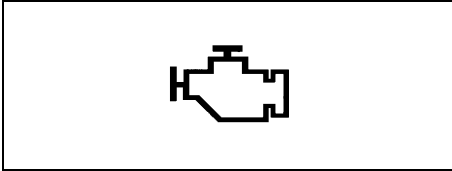
This light monitors inflators, crash sensors, seat belt pretensioners, the front passenger sensing system, and corresponding electrical circuits.

This light blinks or comes on for several seconds when you press the engine switch to change the ignition mode to “ON”, so you can check if the light is working. The light will come on and stay on if there is a problem in the air bag system or the seat belt pretensioner system.

WARNING

If the AIR BAG light does not blink or come on when you press the engine switch to change the ignition mode to “ON”, or stays on or comes on when driving, the air bag system or the seat belt pretensioner system may not work properly. Have both systems inspected by an authorized SUZUKI dealer.

Malfunction Indicator Light



65D530

Your vehicle has a computer-controlled emission control system. A malfunction indicator light is provided on the instrument panel to indicate when it is necessary to have the emission control system serviced. The malfunction indicator light comes on when you press the engine switch to change the ignition mode to "ON" to let you know the light is working and goes out when the engine is started.

If the malfunction indicator light comes on or blinks when the engine is running, service to the emission control system is necessary. Bring the vehicle to an authorized SUZUKI dealer to have the emission control system serviced right away and avoid hard acceleration until the service is performed.

Also, if the light comes on, there may be something wrong with the continuously variable transaxle system. Have the system inspected by an authorized SUZUKI dealer.

CAUTION

Continuing to drive the vehicle when the malfunction indicator light is on or blinking can cause permanent damage to the vehicle's emission control system, and can affect fuel economy and driveability.

NOTE:

If the fuel filler cap is not installed fully, the electrical system gets wet (such as by driving through a deep puddle of water) or the fuel tank gets nearly empty, the malfunction indicator light may come on. If so, the light will go off after driving a few times after the fuel filler cap is installed fully, the electrical system dries out or the fuel tank is filled.

Low Fuel Warning Light



54G343

If this light comes on, fill the fuel tank immediately.

When this light comes on, a ding sounds once to remind you to fill the fuel.

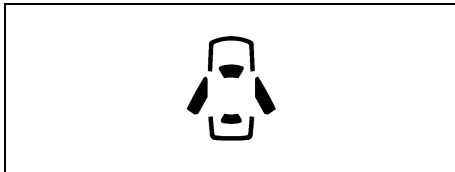
If you do not fill the fuel, a ding sounds every time you press the engine switch to change the ignition mode to "ON".

NOTE:

The activation point of this light varies depending on road conditions (for example, slope or curve) and driving conditions because of fuel moving in the tank.

BEFORE DRIVING

Open Door Warning Light



54G391

This light remains on until all doors and the engine hood are completely closed.

If any of the doors or the engine hood becomes open while the vehicle is moving, a warning sound will remind you to close all the doors and the engine hood completely.

“CRUISE” Indicator Light (if equipped)



52D113

When the cruise control system is on, this light will be on.

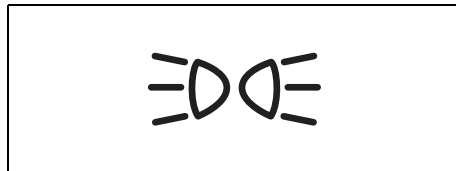
“SET” Indicator Light (if equipped)



65D474

When the vehicle's speed is controlled by the cruise control system, this light will be on.

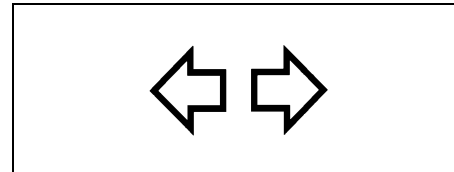
Illumination Indicator Light



64J045

This indicator light comes on while the position lights, tail light and/or the headlights are on.

Turn Signal Indicators

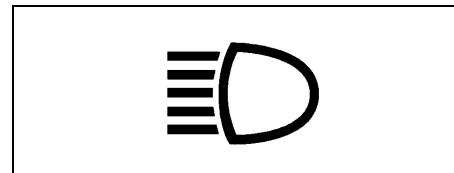


50G055

When you turn on the left or right turn signals, the corresponding green arrow on the instrument panel will flash along with the respective turn signal lights.

When you turn on the hazard warning switch, both arrows will flash along with all of the turn signal lights.

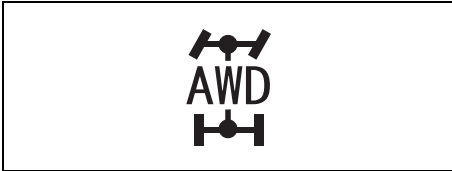
High Beam Indicator Light



50G056

This indicator comes on when headlight high beams are turned on.

Intelligent All Wheel Drive (i-AWD) Indicator Light (if equipped)

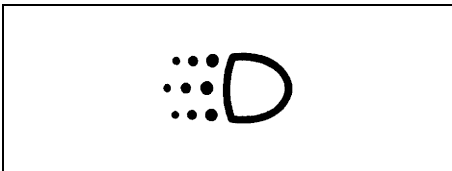


57L30044

When the 2WD/i-AWD switch is in the “i-AWD” mode with the engine switch in the “ON” mode, the light comes on and stays on.

For details, refer to “Using the 2WD/i-AWD Switch” in the “OPERATING YOUR VEHICLE” section.

Daytime Running Light (D.R.L.) Indicator Light (if equipped)



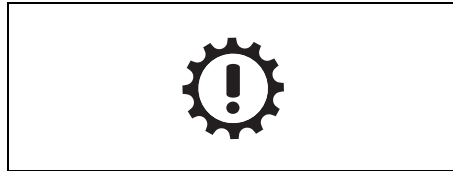
60B245

With the D.R.L. system, the headlights light, but are dimmer than the low beam, when the following three conditions are all met. Whenever the D.R.L. system is operating, the D.R.L. indicator light remains on.

Conditions for D.R.L. system operation

- 1) The engine is running.
- 2) The parking brake is released.
- 3) The headlights are off.

Transaxle Warning Light (if equipped)



80J219

This light comes on when you press the engine switch to change the ignition mode to “ON” if there is any problem with the continuously variable transaxle (CVT).

- The light should normally come on when the ignition mode is changed to “ON” by pressing the engine switch and stay on for about 2 seconds before going out.

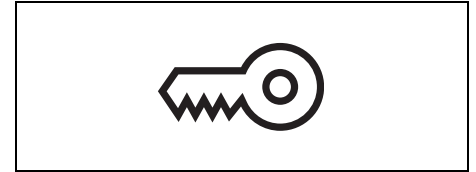
NOTE:

The following conditions may indicate some problem with the CVT system. If any of these conditions occurs, have your vehicle inspected by an authorized SUZUKI dealer.

- *The light comes on while driving.*
- *The light does not come on even when the ignition mode is changed to “ON” by pressing the engine switch.*

- *The light does not go out in about 2 seconds after changing the ignition mode to “ON” by pressing the engine switch.*

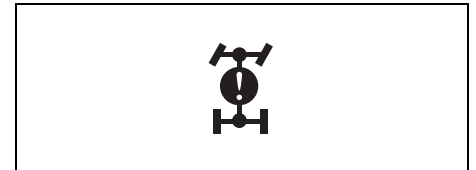
Immobilizer/Keyless Start System Warning Light



80JM129

When you press the engine switch to change the ignition mode to “ON”, the light comes on briefly so you can check that the light is working. If this light stays on, there is a problem with the system. This light flashes if you press the engine switch while the system is not sensing the remote controller. For details, refer to “Immobilizer System” in this section.

i-AWD Warning Light (if equipped)



57L30042

When you press the engine switch to change the ignition mode to “ON”, the light

BEFORE DRIVING

comes on briefly so you can check that the light is working.

- This light comes on if there is any problem with the intelligent all wheel drive (i-AWD) system. The drive mode will then automatically switch to the two-wheel drive (2WD) mode.
- The light flashes if the vehicle is in any of the following conditions, and the drive train mode will then automatically switch to the 2WD mode.
 - Wheels of different diameters are fitted to the vehicle.
 - Drive train components overheat as a result of spinning of a drive wheel in the mud or snow.
- The light should normally come on when you press the engine switch to change the ignition mode to “ON” and continue to light or go out depending on the drive train mode engaged.

NOTE:

Should the light flash, immediately move the vehicle to a safe place and park it there to protect the drive train components. If you let the engine run at idle for a while, the light will stop flashing and then stay lit, and the i-AWD mode will resume.

Electric Power Steering Warning Light



80J408

This light comes on while the engine is running if there is any problem with the electric power steering system.

- The light should normally come on when you press the engine switch to change the ignition mode to “ON” and go out as soon as the engine is started.

NOTE:

- *The following conditions may indicate a problem with the electric power steering system. In the event of any of these conditions, have your vehicle inspected by an authorized SUZUKI dealer.*
 - *The light comes on while driving.*
 - *The light does not come on even when you press the engine switch to change the ignition mode to “ON”.*
 - *The light stays on after the engine has started.*
- *The electric power steering system stops functioning if it has any problem. Without the system operating, the steering wheel will require more effort to turn than usual.*

Master Warning Indicator Light

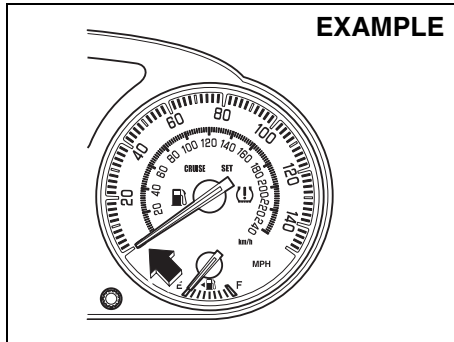


78K049

When you press the engine switch to change the ignition mode to “ON”, the light comes on briefly so you can check that the light is working. When the information display shows warning and indicator messages, this indicator light may also come on or blink.

For details, refer to “Information Display” in this section.

Speedometer

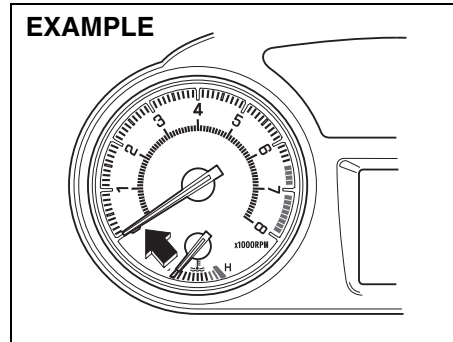


EXAMPLE

57L21057

The speedometer indicates vehicle speed in km/h and mph.

Tachometer



EXAMPLE

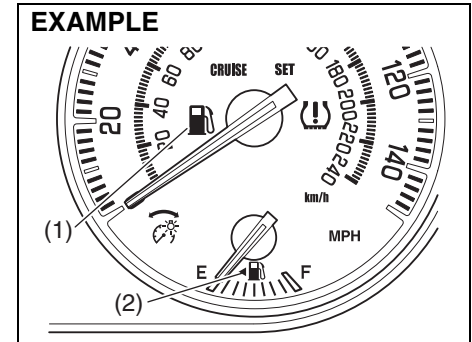
57L21058

The tachometer indicates engine speed in revolutions per minute.

CAUTION

Never drive with the engine speed indicator in the red zone or severe engine damage can result. When downshifting to a lower gear, make sure not to operate with excessive revolution speeds of the engine. Refer to “Downshifting maximum allowable speeds” in the “OPERATING YOUR VEHICLE” section.

Fuel Gauge



EXAMPLE

57L21059

When you press the engine switch to change the ignition mode to “ON”, this gauge gives an approximate indication of the amount of fuel in the fuel tank. “F” stands for full and “E” stands for empty.

If the indicator gets off the graduation of “E” (not character “E”), refill the tank as soon as possible.

NOTE:

The indicator moves a little depending on road conditions (for example, slope or curve) and driving conditions because of fuel moving in the tank.

BEFORE DRIVING

If the low fuel warning light (1) comes on, fill the fuel tank immediately.

When the low fuel warning light (1) comes on, a ding sounds once to remind you to fill the fuel.

If you do not fill the fuel, a ding sounds every time you press the engine switch to change the ignition mode to "ON".

CAUTION

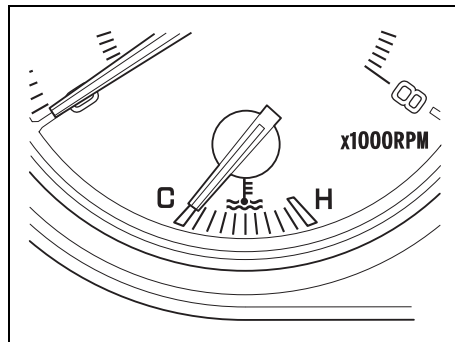
Avoid driving with an extremely low fuel level. Running out of fuel could cause the engine to misfire, damaging the catalytic converter.

NOTE:

The activation point of the low fuel warning light (1) varies depending on road conditions (for example, slope or curve) and driving conditions because of fuel moving in the tank.

The mark (2) indicates that the fuel filler door is located on the left side of the vehicle.

Temperature Gauge



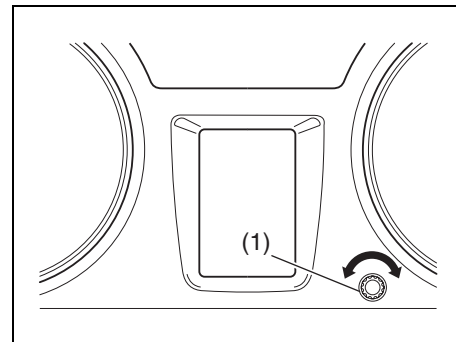
57L21060

When the ignition mode has been changed to "ON" by pressing the engine switch, this gauge indicates the engine coolant temperature. Under normal driving conditions, the indicator should stay within the normal, acceptable temperature range between "H" and "C". If the indicator approaches "H", overheating is indicated. Follow the instructions for engine overheating in the "EMERGENCY SERVICE" section.

CAUTION

Continuing to drive the vehicle when engine overheating is indicated can result in severe engine damage.

Brightness Control



57L21080

When the engine switch is pressed to change the ignition mode to "ON", the instrument panel lights come on.

Your vehicle has a system to automatically dim the brightness of the instrument panel lights when the parking lights or headlights are on.

You can change the brightness of the instrument panel lights regardless of whether the parking lights or headlights are off or on.

To increase the brightness of the instrument panel lights, turn the brightness control knob (1) clockwise.

To reduce the brightness of the instrument panel lights, turn the brightness control knob (1) counterclockwise.

EXAMPLE

57L21081

NOTE:

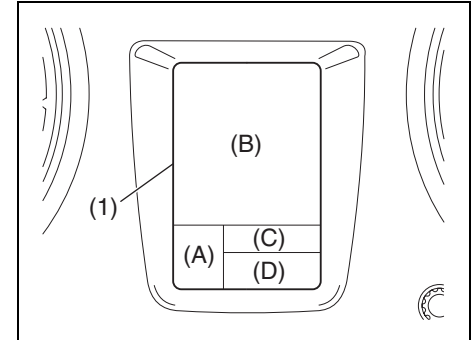
- If you do not turn the brightness control knob within about 5 seconds of activating the brightness control display, the brightness control display will be canceled automatically.
- When you reconnect the battery, the brightness of the instrument panel lights will be reinitialized. Readjust the brightness according to your preference.

NOTE:

If you select the lowest brightness level when the parking lights or headlights are on, the instrument panel lights other than meter lights are turned off.

Information Display

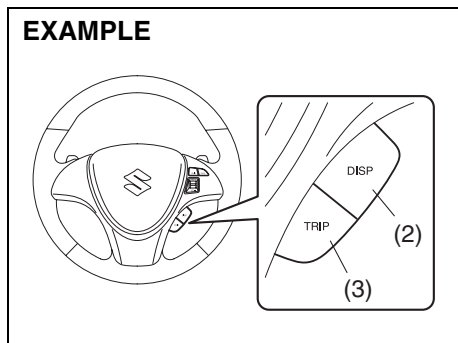
The information display is shown when the ignition mode has been changed to "ON" by pressing the ignition switch.



57L30067

(1) Information display

BEFORE DRIVING



57L30043

- (2) DISP switch
- (3) TRIP switch

The information display shows the following information.

Display (A)

CVT selector position indicator (for continuously variable transaxle)

Display (B)

Warning and Indicator Messages/Fuel Consumption/Driving Range/Average Speed

Display (C)

Trip meter/Thermometer

Display (D)

Odometer



57L30068

When the engine switch is pressed to change the ignition mode to "ON", the message shown in the above illustration will appear on the display for several seconds.

Some warning and indicator messages may appear on the display when the ignition mode is changed to "ACC" by pressing the engine switch.

CVT Selector Position (for continuously variable transaxle)



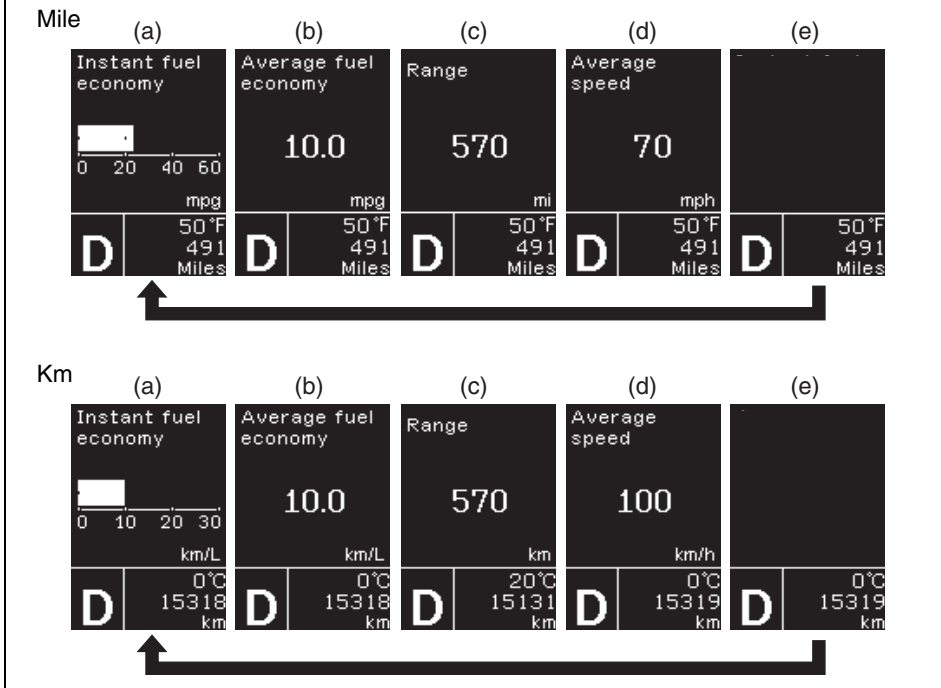
57L21127

The display (A) shows the continuously variable transaxle selector position (4).

Fuel Consumption/Driving Range/Average Speed

When there are no warning or indicator messages on the display (B), you can select one of the following five indications to appear on the display, instantaneous fuel consumption, average fuel consumption, driving range, average speed, or no indication.

EXAMPLE



57L21082

- (a) Instantaneous fuel consumption
- (b) Average fuel consumption
- (c) Driving range
- (d) Average speed
- (e) No indication

To switch the display indication, pull the DISP switch (2) quickly.

NOTE:

The value of fuel consumption, driving range and average speed shown in the display are affected by conditions such as the following;

- road condition
- surrounding traffic condition
- driving condition
- vehicle condition
- a malfunction which causes the malfunction indicator light to come on or blink

Instantaneous fuel consumption

If you selected instantaneous fuel consumption the last time you drove the vehicle, the display does not show the bar graph when the engine switch is pressed to change the ignition mode to "ON". The display shows the bar graph only when the vehicle is moving.

Average fuel consumption

If you selected average fuel consumption the last time you drove the vehicle, the display shows the last value of average fuel consumption from previous driving when the engine switch is pressed to change the ignition mode to "ON". Unless you reset the value of average fuel consumption, the display indicates the value of average fuel consumption which includes average fuel consumption during previous driving.

NOTE:

When you reconnect the negative (-) terminal to the battery, the value of average fuel consumption will be shown after driving for a period of time.

You can select when the value of average fuel consumption is reset from among the following three methods;

- Reset after refuel: the value of average fuel consumption will be reset automatically by refueling.
- Reset with trip A: the value of average fuel consumption will be reset automatically by resetting trip meter A.
- Reset manually: the value of average fuel consumption will be reset by pulling and holding the DISP switch (2) when the display indicates the average fuel consumption.

To change when the value of average fuel consumption is reset, refer to "Setting Mode" later in this section.

NOTE:

If you add only a small amount of fuel when you select "Reset after refuel", the average fuel consumption value may not be reset.

Driving range

If you selected driving range the last time you drove the vehicle, the display indicates "---" for a few seconds and then indicates the current driving range when the engine switch is pressed to change the ignition mode to "ON".

The driving range shown in the display is the approximate distance you can drive until the fuel gauge indicates "E", based on current driving conditions.

When the remaining fuel in fuel tank reaches a low level, the display "---" will appear.

If the low fuel warning light comes on, fill the fuel tank immediately regardless of the value of driving range shown in the display.

As the driving range after refueling is calculated based on the most recent driving condition, the value is different each time you refuel.

NOTE:

- *If you refuel when the ignition mode is changed to "ON" by pressing the engine switch, the driving range may not indicate the correct value.*
- *When you reconnect the negative (-) terminal to the battery, the value of driving range will be shown after driving for a period of time.*

Average Speed

If you selected average speed the last time you drove the vehicle, the display indicates the last value of average speed from previous driving when the engine switch is pressed to change the ignition mode to "ON". Unless you reset the value of average speed, the display indicates the value of average speed which includes average speed during previous driving.

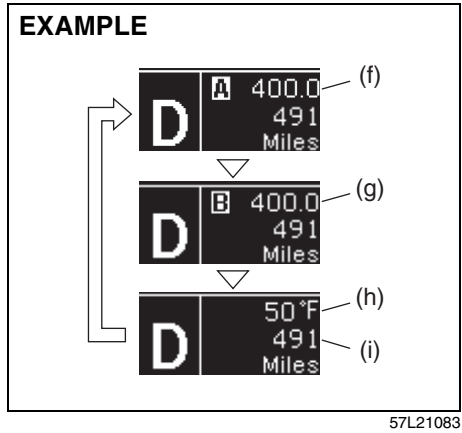
To reset the value of average speed, pull and hold the DISP switch (2) for about 2 seconds when the display indicates an average speed. The display shows "---" and then indicates a new average speed after driving for a short time.

NOTE:

When you reconnect the negative (-) terminal to the battery, the value of average speed will be shown after driving for a period of time.

Odometer/Trip meter/Thermometer

When the engine switch is pressed to change the ignition mode to "ON", the display (C) shows one of the following three indications, trip meter A, trip meter B and thermometer. Also, the display (D) shows the odometer reading.



- (f) Trip meter A
- (g) Trip meter B
- (h) Thermometer
- (i) Odometer

To switch the display indication (C), pull the TRIP switch (3) quickly.

Odometer

The odometer records the total distance the vehicle has been driven.

CAUTION

Keep track of your odometer reading and check the maintenance schedule regularly for required services. Increased wear or damage to certain parts can result from failure to perform required services at the proper mileage intervals.

Trip meter

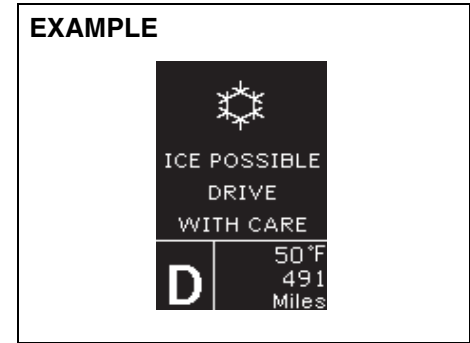
The trip meter can be used to measure the distance traveled on short trips or between fuel stops.

You can use the trip meter A and trip meter B independently.

To reset the trip meter to zero, pull and hold the TRIP switch (3) for about 2 seconds when the display shows the trip meter.

Thermometer

The thermometer indicates the outside temperature.



If the outside temperature nears freezing, the message shown in the above illustration will appear on the display.

NOTE:

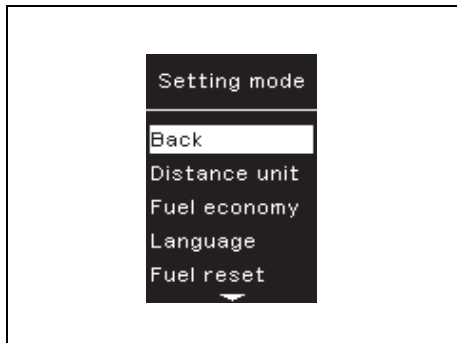
The outside temperature indication is not the actual outside temperature when driving at low speed, or when stopped.

BEFORE DRIVING

Setting Mode

When the ignition mode is changed to "ON" by pressing the engine switch and the vehicle is stationary, you can enter the setting mode of the information display by pulling and holding the DISP switch (2) for more than 3 seconds.

- To select the setting that you want to change, pull the TRIP switch (3).
- To change the setting, pull the DISP switch (2).
- To exit the setting mode, select "Back" and pull the DISP switch (2).



NOTE:

Current settings appear with reversed text and background colors.

NOTE:

- If you pull and hold the DISP switch (2) to enter the setting mode when the display (B) shows average fuel consumption or average speed, the value will be reset simultaneously. If you do not want to reset the value, pull the DISP switch quickly to switch the indication of the display.
- If you press the engine switch or start to move the vehicle when the display is in the setting mode, the setting mode will be canceled automatically.

Distance units

You can change the units odometer/trip meter distance is displayed in.

NOTE:

When you change the units odometer/trip meter distance is displayed in, the trip meter will be reset automatically.

Fuel economy units

You can change the units that fuel consumption is displayed in.

Language

You can change the language of the information display.

Avg. fuel economy reset

You can change when the value of average fuel consumption is reset.

Temperature units

You can change the units that temperature is displayed in.

NOTE:

When you change the units that temperature is displayed in, the air conditioning system temperature display units will be changed automatically.

Foot lights

The foot lights can be programmed for interlocked operation with either lighting control or door operation and for no lighting.

Default setting

If you select "YES" and pull the DISP switch (2), all settings will be reinitialized.

Warning and Indicator Messages

The display shows warning and indicator messages to let you know about certain vehicle problems.

A tone may also sound to alert you.

If warning and indicator messages appear on the display, follow the messages.

Master warning indicator



78K049




When the display shows warning and indicator messages, the master warning indicator may also come on or blink.

NOTE:



- *When the problem that causes a message to appear is corrected, the message will disappear.*
- *If a message is displayed, and other problems requiring a message occur, the message for each of the problems will be alternately displayed about every 5 seconds.*
- *When you pull and hold the DISP switch (2) for about 2 seconds while a message is displayed, the message will disappear temporarily. If the problem that caused the message is not corrected, the message will appear again after 5 seconds.*

BEFORE DRIVING



Warning and indicator messages



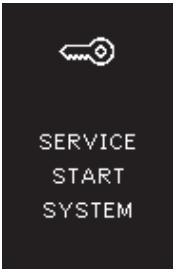

Warning and Indicator Message	Master Warning Indicator	Sound	Cause and Remedy
 <p>57L30073</p>	<p>Blinks (only while vehicle is in motion)</p> 	<p>“Ping” (one time from interior buzzer; only while vehicle is in motion)</p>	<p>A door or the engine hood is not properly closed. Stop in a safe place and close the door or engine hood properly. (#1)</p> <p><i>NOTE:</i> After disconnecting and reconnecting the battery cable, the display image may show that the passenger door is open even though it is the driver’s door that is open. The display will show the correct image when you press the engine switch to change the ignition mode to “ON”.</p>
 <p>57L21087</p>	<p>Off</p>	<p>Off</p>	<p>This message is displayed when the “ACC” position is selected as the power supply position. (#1)</p>

(#1) This message will disappear for a while even if the problem that caused the message to appear is not corrected.




Warning and Indicator Message	Master Warning Indicator	Sound	Cause and Remedy
 <p data-bbox="371 524 448 540">57L21088</p>	Off	Off	The brake pedal is depressed. Press the engine switch to start the engine.
<p data-bbox="86 557 140 580">CVT</p>  <p data-bbox="371 890 448 907">57L21089</p>	Off	Off	The engine switch is pressed with the gear-shift lever in a position other than "P" or "N" and/or without depressing the brake pedal. Try again as instructed by the message.



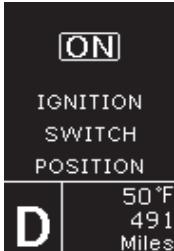
BEFORE DRIVING

Warning and Indicator Message	Master Warning Indicator	Sound	Cause and Remedy
<p>Manual Transaxle</p>  <p>57L21120</p>	Off	Off	The engine switch is pressed without depressing the brake and clutch pedals. Try again as instructed by the message.
<p>CVT</p>  <p>57L21090</p>	Off	Off	The engine switch is pressed with the gearshift lever in a position other than "P". Try again as instructed by the message.

Warning and Indicator Message	Master Warning Indicator	Sound	Cause and Remedy
 <p>57L21091</p>	<p>Blinks</p> 	<p>“Ping” (one time from interior buzzer)</p>	<p>There is a problem with the steering lock system. Have your vehicle inspected by an authorized SUZUKI dealer.</p>
 <p>57L21092</p>	<p>Blinks</p> 	<p>“Ping” (one time from interior buzzer)</p>	<p>There is a problem with the keyless push start system. Have your vehicle inspected by an authorized SUZUKI dealer.</p>

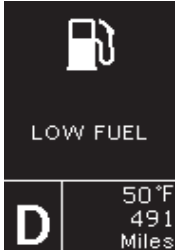


BEFORE DRIVING

Warning and Indicator Message	Master Warning Indicator	Sound	Cause and Remedy
 <p>KEY FOB NOT DETECTED</p> <p>57L21093</p>	<p>Blinks</p> 	<p>Repeated beeps under certain conditions (for about 2 seconds from exterior and/or interior buzzers)</p>	<p>The remote controller may be outside the vehicle or its battery may have become discharged. Locate the remote controller or touch the engine switch with the remote controller. If the message still appears, replace the remote controller battery.</p>
 <p>PLACE KEY FOB ON START SWITCH</p> <p>57L21094</p>			



Warning and Indicator Message	Master Warning Indicator	Sound	Cause and Remedy
 <p>57L21095</p>	<p>Blinks</p> 	<p>Continuous beep (from interior buzzer)</p>	<p>The headlights and position lights are left on. Turn them off.</p>
 <p>57L21096</p>	<p>Off</p>	<p>Off</p>	<p>This message is displayed when the “ON” position is selected as the power supply position. (#1)</p>

(#1) This message will disappear for a while even if the problem that caused the message to appear is not corrected.

BEFORE DRIVING





Warning and Indicator Message	Master Warning Indicator	Sound	Cause and Remedy
 <p>LOW FUEL</p> <p>D 50°F 491 Miles</p> <p>57L21097</p>	Off	“Ping” (one time from interior buzzer)	Fuel is low. Refill immediately. (#1)
 <p>TRN. STEERING WHEEL TO RELEASE LOCK</p> <p>D 50°F 491 Miles</p> <p>57L21101</p>	Blinks 	“Ping” (one time from interior buzzer)	The steering lock is not disengaged. While lightly turning the steering wheel in both directions, press the engine switch again.





(#1) This message will disappear for a while even if the problem that caused the message to appear is not corrected.

Warning and Indicator Message	Master Warning Indicator	Sound	Cause and Remedy
<p>EXAMPLE</p>  <p>57L21084</p>	Off	Off	The road may be icy. Drive very carefully. (#1)
 <p>57L21103</p>	Off	Off	The remote controller battery is about to become flat. Replace the battery. (#1)





(#1) This message will disappear for a while even if the problem that caused the message to appear is not corrected.





BEFORE DRIVING

Warning and Indicator Message	Master Warning Indicator	Sound	Cause and Remedy
<p>i-AWD</p>  <p>57L21121</p>	<p>Blinks</p> 	<p>“Ping” (one time from interior buzzer)</p>	<p>There may be a problem with the AWD system. Have your vehicle inspected by an authorized SUZUKI dealer.</p>
<p>i-AWD</p>  <p>57L21122</p>	<p>Blinks</p> 	<p>“Ping” (one time from interior buzzer)</p>	<p>Tires of different sizes may be fitted or tires may be insufficiently inflated. Have your vehicle inspected by an authorized SUZUKI dealer.</p>



Warning and Indicator Message	Master Warning Indicator	Sound	Cause and Remedy
<p>i-AWD</p>  <p>57L21123</p>	<p>Blinks</p> 	<p>“Ping” (one time from interior buzzer)</p>	<p>Drive train components may be overheated. Stop in a safe place and allow the engine to idle.</p>
 <p>57L31024</p>	<p>Blinks</p> 	<p>“Ping” (one time from interior buzzer)</p>	<p>There may be a problem with the ESP[®] system. Have your vehicle inspected by an authorized SUZUKI dealer.</p>

BEFORE DRIVING

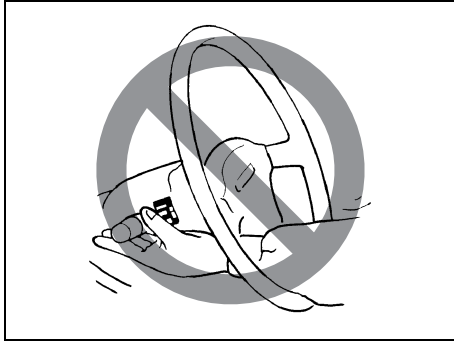
Warning and Indicator Message	Master Warning Indicator	Sound	Cause and Remedy
 <p>HILL HOLD DISABLE</p> <p>D 50°F 491 Miles</p> <p>57L31023</p>	<p>Blinks</p> 	<p>“Ping” (one time from interior buzzer)</p>	<p>There may be a problem with the hill hold control system. Have your vehicle inspected by an authorized SUZUKI dealer.</p>
 <p>LOW TIRE PRESSURE</p> <p>D 50°F 491 Miles</p> <p>57L31025</p>	<p>Blinks</p> 	<p>“Ping” (one time from interior buzzer)</p>	<p>One of the tires is insufficiently inflated. Inflate it correctly.</p>

Warning and Indicator Message	Master Warning Indicator	Sound	Cause and Remedy
 <p>57L31026</p>	<p>Blinks</p> 	<p>“Ping” (one time from interior buzzer)</p>	<p>There may be a problem with the TPMS system. Have your vehicle inspected by an authorized SUZUKI dealer.</p>
 <p>57L31027</p>	<p>Blinks</p> 	<p>“Ping” (one time from interior buzzer)</p>	<p>Wheel ID codes are not registered in the TPMS system. Have your vehicle inspected by an authorized SUZUKI dealer.</p>

BEFORE DRIVING

Warning and Indicator Message	Master Warning Indicator	Sound	Cause and Remedy
 <p>57L21130</p>	Blinks 	“Ping” (one time from interior buzzer)	If this message is displayed, have your vehicle inspected by an authorized SUZUKI dealer.

Lighting Control Lever

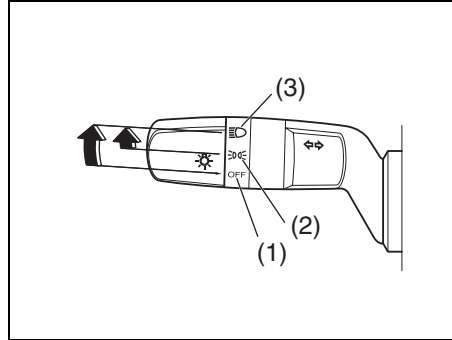


57L21128

⚠ WARNING

To avoid possible injury, do not operate controls by reaching through the steering wheel.

Lighting Operation (if equipped)



57L21062

To turn the lights on or off, twist the knob on the end of the lever. There are three positions:

OFF (1)

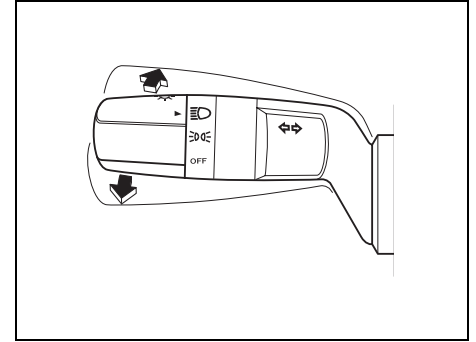
All lights are off.

☞☞ (2)

Front position lights, tail lights, license plate light and instrument lights are on, but headlights are off.

☞☞☞ (3)

Front position lights, tail lights, license plate light, instrument lights and headlights are on.



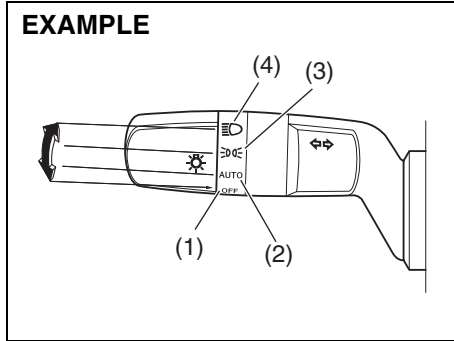
57L21063

With the headlights on, push the lever forward to switch to the high beams (main beams) or pull the lever toward you to switch to the low beams. When the high beams (main beams) are on, a light on the instrument panel will come on. To momentarily activate the high beams (main beams) as a passing signal, pull the lever slightly toward you and release it when you have completed the signal.

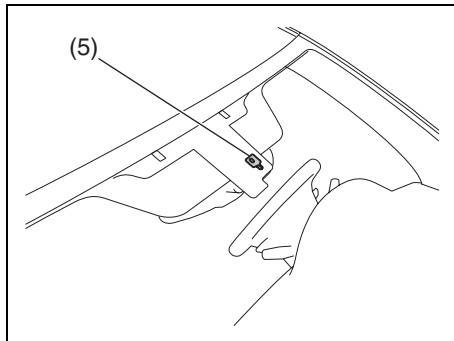
BEFORE DRIVING

Automatic Lights Operation (if equipped)

EXAMPLE



57L21064



57L21118

Your vehicle's lighting system is controlled by three main systems: the Lighting switch, the Auto-On Headlight System (when the lighting switch is in the "AUTO" position) and the Daytime Running Light (D.R.L.) system. Of these systems, the D.R.L. system does not work while the parking brake is applied.

The three systems work together to operate your lights as shown in the following chart:

E/G: Engine

ON: Lights ON

LIGHT: When it is light around the light sensor (5).

DARK: When it is dark around the light sensor (5).

Lighting switch position	Main lights to be operated	Ignition mode "LOCK" (OFF) or "ACC"		Ignition mode "ON"			
		E/G OFF		E/G OFF		E/G RUNNING	
		LIGHT	DARK	LIGHT	DARK	LIGHT	DARK
(1) OFF	D.R.L.	-	-	-	-	ON	ON
	Position lights, Tail lights	-	-	-	-	-	-
	Head lights	-	-	-	-	-	-
(2) AUTO	D.R.L.	-	-	-	-	ON	-
	Position lights, Tail lights	-	-	-	ON	-	ON
	Head lights	-	-	-	ON	-	ON
(3) ☼	D.R.L.	-	-	-	-	ON	ON
	Position lights, Tail lights	ON	ON	ON	ON	ON	ON
	Head lights	-	-	-	-	-	-
(4) ☾	D.R.L.	-	-	-	-	-	-
	Position lights, Tail lights	ON	ON	ON	ON	ON	ON
	Head lights	ON	ON	ON	ON	ON	ON

To turn the lights on or off, twist the knob on the end of the lever. There are four positions:

OFF (1)

All lights are off.

AUTO (2)

This function works when the ignition mode has been changed to "ON" by pressing the engine switch. The headlights and position lights are turned on and off automatically according to the amount of outside light detected by a sensor. They go out automatically when you change the ignition mode to "ACC" or "LOCK" by pressing the engine switch.

- The light sensor (5) for sensing the amount of outside light is installed on the upper part of the windshield. It also serves as the rain sensor for the rain-sensing wipers.

CAUTION

If the light sensor area of the windshield is covered with mud, ice, or other similar substances, the headlights and position lights may be turned on even when it is still light outside. Before removing such substances from the windshield, always set the wiper control lever to the "OFF" position. If the lever is left in the "AUTO" position, the wipers could unexpectedly operate and cause injury, and could also be damaged.

NOTE:

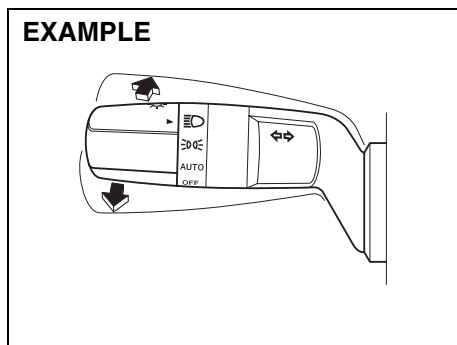
- *Avoid covering the light sensor area of the windshield with a sticker. The sticker may impair the performance of the sensor and make the system unable to control operation of the lights correctly.*
- *If you changed the ignition mode to "ON" by pressing the engine switch and the "AUTO" position remains selected, the headlights and position lights come on automatically as the outside gets dark even with the engine not running. Leaving the lights lit for a long time may lead to a completely discharged battery.*

 **(3)**

Front position lights, tail lights, license plate light and instrument lights are on, but headlights are off.

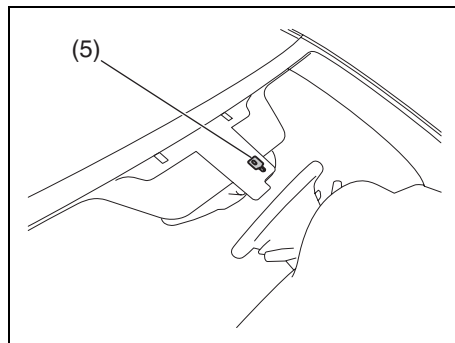
 **(4)**

Front position lights, tail lights, license plate light, instrument lights and headlights are on.



With the headlights on, push the lever forward to switch to the high beams (main beams) or pull the lever toward you to switch to the low beams. When the high beams (main beams) are on, a light on the instrument panel will come on. To momentarily activate the high beams (main beams) as a passing signal, pull the lever slightly toward you and release it when you have completed the signal.

Auto-On Headlight System



The Auto-on headlight system automatically turns on all lights that are operated by the lighting control lever on the steering column, when the following three conditions are all met.

Conditions for Auto-on headlight system operation:

- 1) It is dark around the light sensor (5).
- 2) The lighting control lever is in the "AUTO" position.
- 3) You press the engine switch to change the ignition mode to "ON".

This system is operated by a signal from the light sensor (5) on the front wind shield. Do not cover the sensor (5). If you do, the system will not work correctly.

WARNING

It takes about 5 seconds for the light sensor to react to a change in lighting conditions. To help avoid an accident due to reduced visibility, turn on your headlights before driving into a tunnel, parking structure or the like.

NOTE:

The light sensor reacts even to infrared rays, so it may operate incorrectly when there are strong infrared rays.

Reprogramming the Automatic Light Function

The following settings of the automatic light function can be customized to your preference. Please contact an authorized SUZUKI dealer if you want the function reprogrammed.

Sensitivity of the light sensor

The amount of outside light needed to turn the lights on and off is pre-set at the factory. The sensitivity of the light sensor can be adjusted so that the lights are turned on and off when it is:

- lighter outside than the pre-set condition, or
- darker outside than the pre-set condition

Rain-triggered automatic lighting operation

The setting of the auto-on headlight system can be changed to make it turn on the headlights:

- when the rain sensor senses heavy rainfall (pre-set at the factory)
- when the rain sensor senses light and heavy rainfall (in coordination with rain-sensing wiper operation), or
- independently from rain-sensing wiper operation.

Light Reminder Buzzer

The interior buzzer continuously beeps if you open the driver's door without turning off the headlights and position lights. This function is triggered under the following condition:

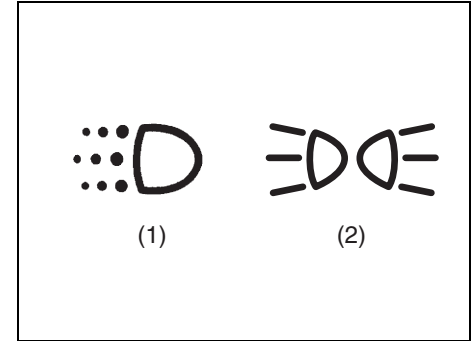
- The headlights and position lights are on even after you change the ignition mode to "LOCK" (OFF) by pressing the engine switch.

The buzzer stops sounding when you turn off the headlights and position lights.

NOTE:

A message is indicated on the information display in the instrument cluster while the buzzer is sounding.

Daytime Running Light (D.R.L.) System



57L21129

- (1) D.R.L. indicator light
(2) Illumination indicator light

The headlights light, but are dimmer than the low beam, when the following three conditions are all met. Also, the D.R.L. indicator light (1) on the instrument panel comes on.

Conditions for D.R.L. system operation:

- 1) The engine is running.
- 2) The parking brake is released.
- 3) The headlights are off, or the lighting switch in the "AUTO" position and it is light around the light sensor.

BEFORE DRIVING

NOTE:

Be sure to turn the headlights on at night or at any time of the day when driving or weather conditions require the headlights to operate at full brightness and the tail-lights to be on.

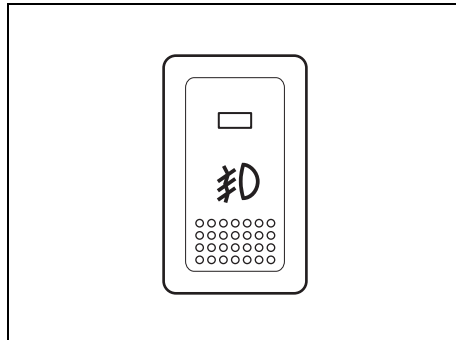
Lights “On” reminder

A buzzer sounds to remind you to turn off the lights if they are left on when you press the engine switch to change the ignition mode to “LOCK” (OFF) and the driver’s door is opened.

NOTE:

The warning and indicator message and the illumination indicator light (2) will be shown on the information display when this reminder is activated.

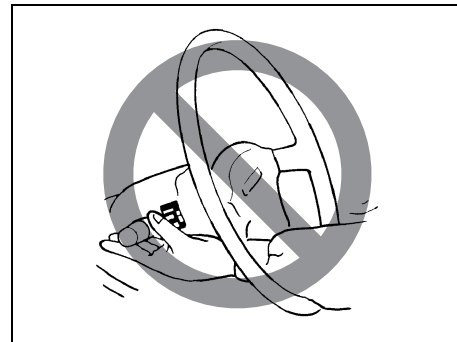
Front Fog Light Switch (if equipped)



64J058

The front fog light comes on when the fog light switch is pushed in with the headlights are on and the beams set to the low beam position.

Turn Signal Control Lever



57L21128

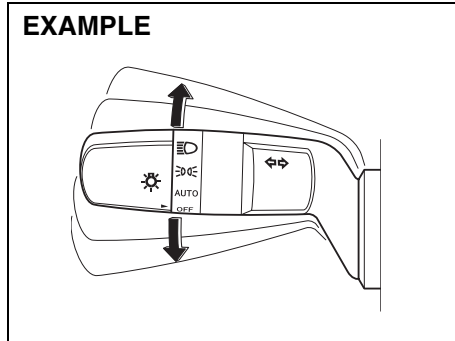
WARNING

To avoid possible injury, do not operate controls by reaching through the steering wheel.

Turn Signal Operation

After changing the ignition mode to "ON" by pressing the engine switch, move the lever up or down to activate the right or left turn signals.

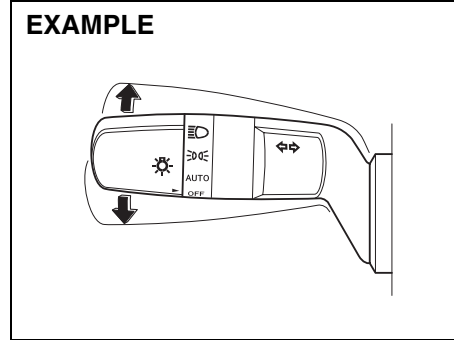
Normal turn signal



57L21066

Move the lever all the way upward or downward to signal. When the turn is completed, the signal will cancel and the lever will return to its normal position.

Lane change signal



57L21067

Move the lever part-way in the direction to turn and hold it there.

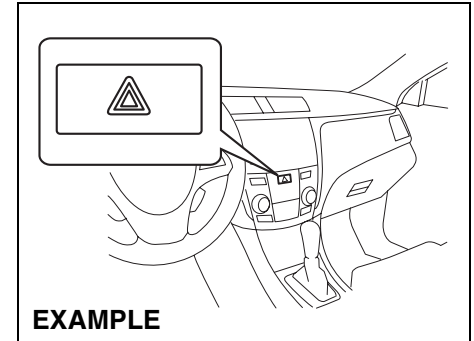
- The turn signal and its indicator flash while the lever is held at the moved position.

The turn signal and its indicator flash three times even if you return the lever immediately after moving it.

NOTE:

You can customize the setting for the number of times of flashing of the turn signal and its indicator (1 to 4 times). Please ask an authorized SUZUKI dealer for the customization.

Hazard Warning Switch



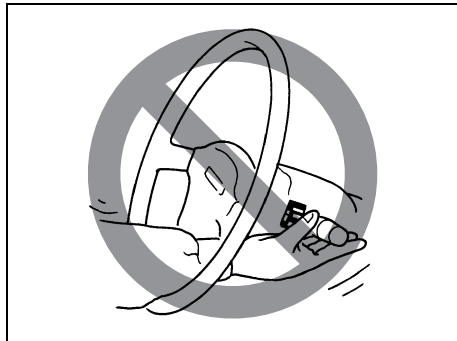
57L21068

Push in the hazard warning switch to activate the hazard warning lights. All turn signal lights and both turn signal indicators will flash simultaneously. To turn off the lights, push the switch again.

Use the hazard warning lights to warn other traffic during emergency parking or when your vehicle could otherwise become a traffic hazard.

BEFORE DRIVING

Rain-sensing Wipers and Washer Lever

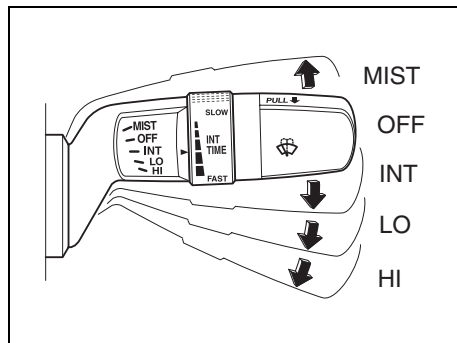


65D611

⚠ WARNING

To avoid possible injury, do not operate controls by reaching through the steering wheel.

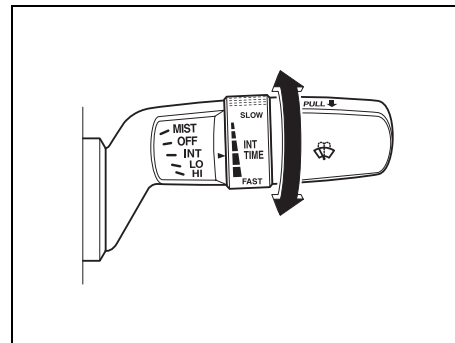
Windshield Wipers (if equipped)



57L21069

Press the engine switch to change the ignition mode to "ON". To turn the windshield wipers on, move the lever down to one of the three operating positions. In the "INT" position (if equipped), the wipers operate intermittently. The "INT" position is very convenient for driving in mist or light rain. In the "LO" position, the wipers operate at a steady low speed. In the "HI" position, the wipers operate at a steady high speed. To turn off the wipers, move the lever back to the "OFF" position.

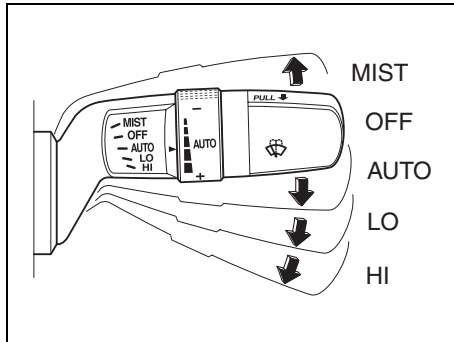
Move the lever up and hold it to the "MIST" position, the windshield wipers will turn on continuously at low speed.



57L21070

If the lever is equipped with the "INT TIME" control, turn the control forward or rearward to adjust the intermittent wiper operation to the desired interval.

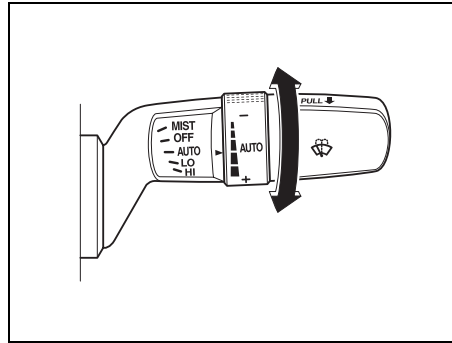
Rain-sensing Wipers (if equipped)



57L21071

Press the engine switch to change the ignition mode to “ON”. To turn the rain-sensing wipers on, move the lever down to one of the three operating positions. In the “AUTO” position (if provided), the wipers automatically operate when the wiper system senses rain or snow. In the “LO” position, the wipers operate at a steady low speed. In the “HI” position, the wipers operate at a steady high speed. To turn off the wipers, move the lever back to the “OFF” position.

Move the lever up and hold it to the “MIST” position; the wipers will operate continuously at low speed for as long as you hold the lever in the “MIST” position.



57L21072

If the control lever has on “AUTO” position, you can increase the system’s sensitivity to rain/snow by turning the knob of the control lever forward for increased sensitivity or rearward for decreased sensitivity.

⚠ WARNING

- Observe the following instructions when the wiper lever is set to the “AUTO” position with the engine switch in the “ON” mode. Otherwise, the wipers could unexpectedly operate and cause injury, and could also be damaged.
 - Do not touch or wipe the rain sensor area of the windshield with a cloth.
 - Do not hit the windshield or rain sensor.
- Be sure to set the wiper control lever to the “OFF” position before washing the vehicle in an automatic car wash or cleaning the windshield.

NOTE:

- Under the following conditions, the rain sensor may not be able to sense rain or snow correctly, and thus the rain-sensing wiper function may not work or may work incorrectly. (Use a position other than “AUTO” under these conditions.)
 - Rain or snow does not hit the rain sensor area of the windshield, or the snow is not of a type that is able to be detected by the sensor.
 - The rain sensor area is covered with mud, ice or other similar substance. You should remove any foreign substance.

BEFORE DRIVING

- There were already raindrops on the windshield before starting rain-sensing wiper operation. You should remove the raindrops by operating the wipers under manual control.
- The rain sensor is hotter than 80°C (176°F) in the sun or lower than –10°C (14°F) in freezing weather. (The wipers do not operate under this condition.)
- The windshield is coated with a water-repellent substance, which causes raindrops to run down quickly. This will give a clearer view and the wipers may seem to operate too frequently. In this case, decrease the system's sensitivity.
- The sensor area is covered with a sticker.
- The wiper blades are damaged. You should replace them.
- The following conditions may indicate problems with the rain-sensing wiper system. If your system exhibits any of the following conditions, have it inspected by an authorized SUZUKI dealer.
 - Rainfall/snowfall rate varies but the wiping interval remains constant.
 - Rain/snow is falling but the wipers do not operate.

Reprogramming the Rain-sensing Wiper Function

The AUTO position operation of the rain-sensing wiper function can be customized to your preference by reprogramming its setting as follows. Please contact an authorized SUZUKI dealer for this customization.

Semi-automatic wiping

The system automatically selects the most appropriate of the following wiping modes: intermittent wiping, low-speed wiping, or high-speed wiping. (The wipers do not stop automatically.)

Intermittent wiping

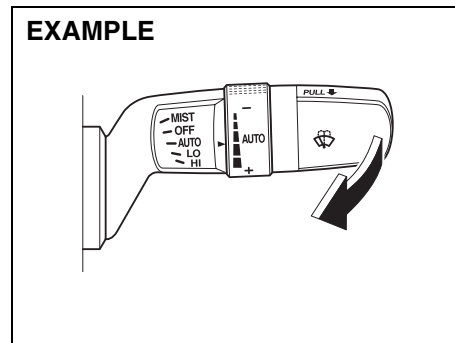
The wipers operate only in the intermittent wiping mode. The wiping interval can be changed with the ring control (3).

Full-automatic wiping (factory setting)

The system automatically selects the most appropriate of the following wiping modes, no wiping, intermittent wiping, low-speed wiping, and high-speed wiping.

Windshield Washer

EXAMPLE



57L21073

To spray windshield washer fluid, pull the lever toward you. The windshield wipers will automatically turn on at low speed.

▲ WARNING

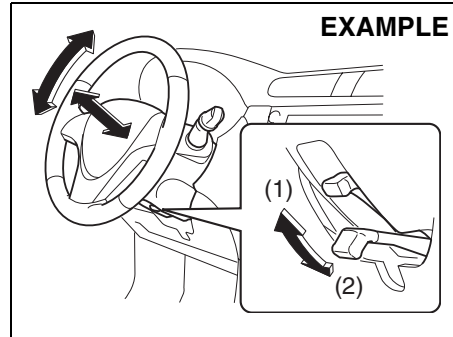
- To prevent windshield icing in cold weather, turn on the defroster to heat the windshield before and during windshield washer use.
- Do not use radiator antifreeze in the windshield washer reservoir. It can severely impair visibility when sprayed on the windshield, and can also damage your vehicle's paint.

CAUTION

To help prevent damage to the windshield wiper and washer system components, you should take the following precautions:

- Do not continue to hold in the lever when there is no windshield washer fluid being sprayed or the washer motor can be damaged.
- Do not attempt to remove dirt from a dry windshield with the wipers or you can damage the windshield and the wiper blades. Always wet the windshield with washer fluid before operating the wipers.
- Clear ice or packed snow from the wiper blades before using the wipers.
- Check the washer fluid level regularly. Check it often when the weather is bad.
- Only fill the washer fluid reservoir 3/4 full during cold weather to allow room for expansion if the temperature falls low enough to freeze the solution.

Tilt/Telescoping/Steering Lock Lever (if equipped)



57L21074

- (1) LOCK
(2) UNLOCK

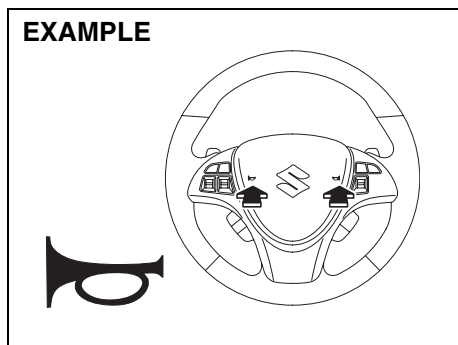
The lock lever is located under the steering column. To adjust the steering wheel height and fore-aft position:

- 1) Push down the lock lever to unlock the steering column.
- 2) Adjust the steering wheel to the desired height and fore-aft position and lock the steering column by pulling up the lock lever.
- 3) Try moving the steering wheel up and down and back and forth to make sure it is securely locked in position.

⚠ WARNING

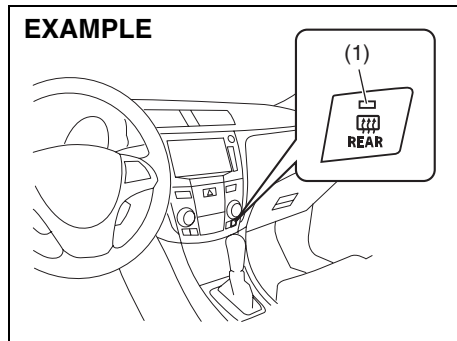
Never attempt to adjust the steering wheel while the vehicle is moving or you could lose control of the vehicle.

Horn

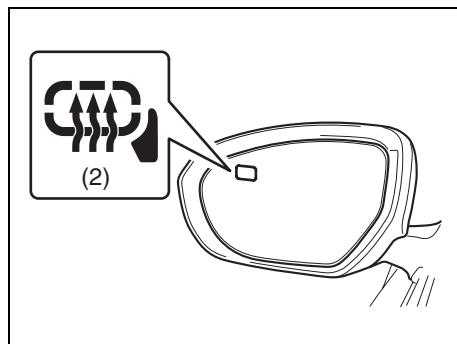


Press the horn pad on the steering wheel to sound the horn. The horn will sound with the engine switch in any ignition mode.

Heated Rear Window and Heated Outside Rearview Mirrors (if equipped) Switch



When the rear window is misted, push this switch (1) to clear the window.



If the outside rearview mirror has the mark (2), it is also equipped with the heated outside rearview mirrors. When you push the switch (1), both the heated outside rearview mirrors and the heated rear window will operate simultaneously.

An indicator light will be lit when the defogger is on. The defogger will work only when the engine is running. To turn off the defogger, push the switch (1) again.

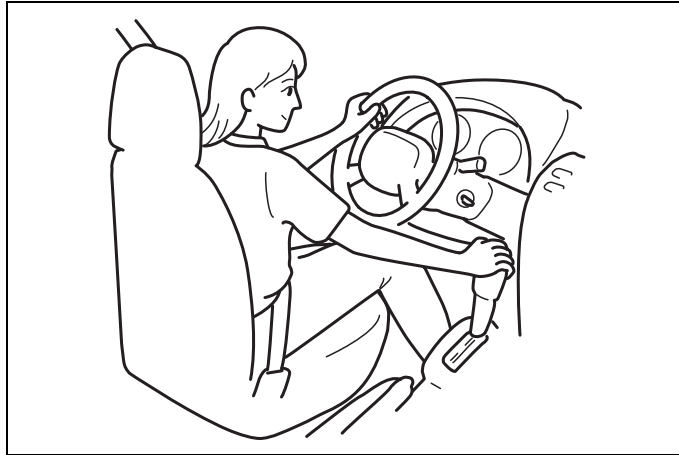
CAUTION

The heated rear window and the heated outside rearview mirrors (if equipped) use a large amount of electricity. Be sure to turn off after the window and mirrors have become clear.

NOTE:

- The defogger will work only when the engine is running.
- The defogger will automatically turn off after the defogger remains on for 15 minutes to prevent discharging of the battery.

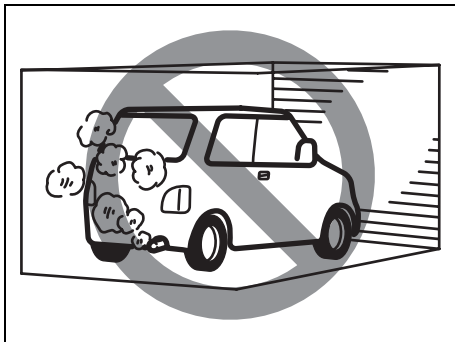
OPERATING YOUR VEHICLE



60G408

Exhaust Gas Warning	3-1
Daily Inspection Checklist	3-1
Engine Switch	3-2
Keyless Push Start System	3-4
Starting the Engine	3-7
Parking Brake Lever	3-10
Pedals	3-11
Engine Block Heater (if equipped)	3-12
Using the Transaxle	3-13
Using the 2WD/i-AWD (intelligent All Wheel Drive)	
Switch (if equipped)	3-19
Cruise Control (if equipped)	3-21
Parking Sensors (if equipped)	3-23
Braking	3-28
Electronic Stability Program (ESP®) (if equipped)	3-31
Tire Pressure Monitoring System (TPMS) (if equipped) ..	3-34

Exhaust Gas Warning



52D334

▲ WARNING

Avoid breathing exhaust gases. Exhaust gases contain carbon monoxide, a potentially lethal gas that is colorless and odorless. Since carbon monoxide is difficult to detect by itself, be sure to take the following precautions to help prevent carbon monoxide from entering your vehicle.

- Do not leave the engine running in garages or other confined areas.

(Continued)

▲ WARNING

(Continued)

- Do not park with the engine running for a long period of time, even in an open area. If it is necessary to sit for a short time in a parked vehicle with the engine running, make sure the air intake selector is set to “FRESH AIR” and the blower is at high speed.
- Avoid operating the vehicle with the trunk open. If it is necessary to operate the vehicle with the trunk open, make sure the sunroof (if equipped) and all windows are closed, and the blower is at high speed with the air intake selector set to “FRESH AIR”.
- To allow proper operation of your vehicle’s ventilation system, keep the air inlet grille in front of the windshield clear of snow, leaves or other obstructions at all times.
- Keep the exhaust tailpipe area clear of snow and other material to help reduce the buildup of exhaust gases under the vehicle. This is particularly important when parked in blizzard conditions.
- Have the exhaust system inspected periodically for damage and leaks. Any damage or leaks should be repaired immediately.

Daily Inspection Checklist

Before Driving

- 1) Make sure that windows, mirrors, lights and reflectors are clean and unobstructed.
- 2) Visually check the tires for the following points:
 - the depth of the tread groove
 - abnormal wear, cracks and damage
 - loose wheel nuts
 - existence of foreign material such as nails, stones, etc.Refer to “Tires” in “INSPECTION AND MAINTENANCE” section for details.
- 3) Look for fluid, oil leaks.

NOTE:

It is normal for water to drip from the air conditioning system after use.

- 4) Make sure the hood is fully closed and latched.
- 5) Check the headlights, turn signal lights, brake lights and horn for proper operation.
- 6) Lock all doors.
- 7) Adjust the seat and adjustable head restraints (if equipped).
- 8) Check the brake pedal.
- 9) Adjust the mirrors.
- 10) Make sure that you and all passengers have properly fastened your seat belts.
- 11) Make sure that all warning lights come on as the ignition mode is changed to “ON” by pressing the engine switch.

- 12) Check all gauges.
- 13) Make sure that the BRAKE light turns off when the parking brake is released.

Once a week, or each time you fill your fuel tank, perform the following under-hood checks:

- 1) Engine oil level
- 2) Coolant level
- 3) Brake fluid level
- 4) Windshield washer fluid level
- 5) Hood latch operation

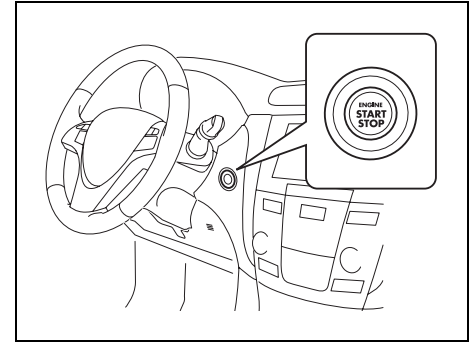
Pull the hood release handle inside the vehicle. Make sure that you cannot open the hood all the way without releasing the secondary latch. Be sure to close the hood securely after checking for proper latch operation. See the item "All latches, hinges and locks" of "CHASSIS AND BODY" in the "Periodic Maintenance Schedule" section in the "INSPECTION AND MAINTENANCE" section for lubrication schedule.

⚠ WARNING

Make sure the hood is fully closed and latched before driving. If it is not, it can fly up unexpectedly during driving, obstructing your view and resulting in an accident.

Once a month, or each time you fill your fuel tank, check the tire pressure using a tire pressure gauge. Also check the tire pressure of the spare tire.

Engine Switch



57L31001

LOCK (OFF)

This is the mode for parking. When this mode is selected by pressing the engine switch and you open the driver's door, the steering will be automatically locked.

NOTE:

The steering is not automatically locked when the front passenger's door and/or rear door(s) alone are opened.

ACC

Press the engine switch to select this ignition mode to use such electric equipment as the audio system, outside rearview mirrors and accessory socket with the engine off. When this position is selected, the information display in the instrument cluster shows the following message: IGNI-

OPERATING YOUR VEHICLE

IGNITION SWITCH POSITION “ACC”. Refer to “Information Display” in the “Before Driving” section for details.

ON

• With the engine off

You can use such electric equipment as the power windows and wipers with the engine off. When this ignition mode is selected by pressing the engine switch, the information display in the instrument cluster shows the following message: IGNITION SWITCH POSITION “ON”.

• With the engine on

All electric equipment is operational. The vehicle can be driven when you have selected this ignition mode by pressing the engine switch.

START

CVT – Provided you have the keyless start system remote controller with you, the engine automatically starts when you press the engine switch to select this ignition mode after placing the gearshift lever in the “P” position and depressing the brake pedal. (If you need to re-start the engine while the vehicle is moving, shift into “N”.)

Manual Transaxle – Provided you have the keyless start system remote controller with you, the engine automatically starts when you press the engine switch to select this ignition mode after shifting to “N” (Neutral)

and depressing the brake and clutch pedals.

NOTE:

You do not need to keep the engine switch pressed to start the engine.

CAUTION

Do not leave the engine switch in the “ACC” or “ON” mode when the engine is not running. Avoid using the radio or other electric accessories for a long time when the engine switch is in the “ACC” or “ON” mode when the engine is not running, otherwise the battery may discharge.

NOTE:

- *The steering lock may not be released if some load is acting on the steering wheel. If this happens, turn the steering wheel to the right or left to relieve it from the load before you press the engine switch again to change to the desired ignition mode.*
- *In the presence of strong radio signals or noise, you may not be able to change the ignition mode to “ACC” or “ON” or to start the engine using the engine switch. In this case, the information display on the instrument cluster will show the following message: KEY FOB NOT DETECTED.*

Unreleased Steering Lock Warning

If the steering lock remains engaged when you press the engine switch to change the ignition mode to “ON”, the information display in the instrument cluster will show a message to alert you to that condition. Refer to “Information display” in the “Before Driving” section for details.

Keyless Push Start System

Provided the keyless start system remote controller is within the “interior workable area” (Refer to the related explanation in this section), you can use the engine switch for starting the engine and selecting a power supply mode (“ACC” or “ON”). In addition, the following functions can be used:

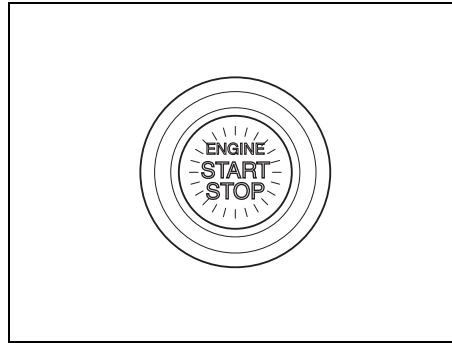
- Keyless entry function. Refer to “Keyless Start System Remote Controller” in the “Before Driving” section for details.
- Locking and unlocking doors using a request switch. Refer to “Keyless Start System Remote Controller” in the “Before Driving” section for details.
- Opening the trunk lid from outside using the trunk lid request switch.
- Immobilizer (anti-theft) function. Refer to “Immobilizer System” in the “Before Driving” section for details.

Engine Switch Illumination

The engine switch is illuminated lit in the following situations:

- The driver’s door is open (only when the engine is not in operation).
- For 15 seconds after the driver’s door is closed (only when the engine is not in operation).
- The position lights are on.

The illumination will fade out when it is not required.



82K253

NOTE:

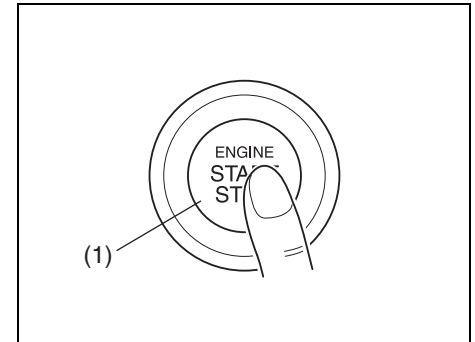
To save the battery, the illumination will be automatically turned off when both of the following conditions are simultaneously met (battery saver function):

- *The headlights and position lights are turned off.*
- *A period of 15 minutes has elapsed after opening the driver’s door.*

Selection of Power Supply Modes

Press the engine switch to select the “ACC” or “ON” mode as follows when you use an electric accessory or check the operation of instruments without running the engine.

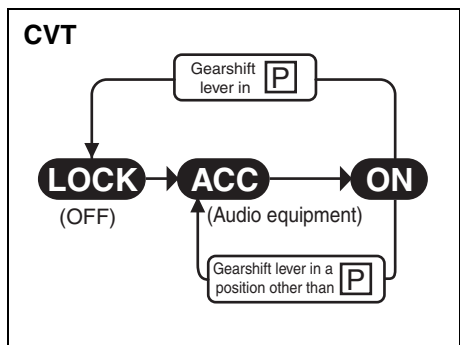
- 1) Bring the keyless start system remote controller with you and sit in the driver’s seat.
- 2) Without depressing the brake pedal, press the engine switch (1).



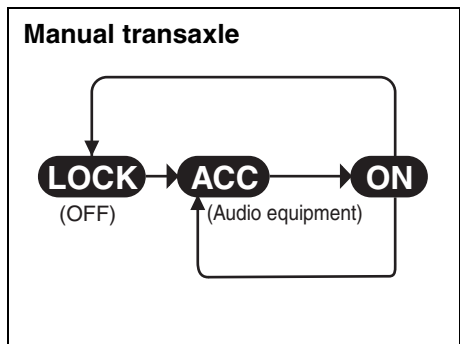
82K254

Every time you push the engine switch without the brake pedal depressed, the power supply mode changes as follows.

OPERATING YOUR VEHICLE



57L31006



57L31033

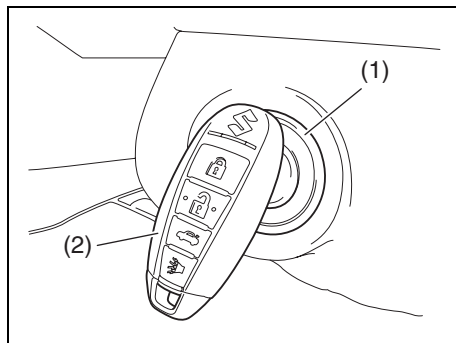
NOTE:

- CVT – If the gearshift lever is in any position other than “P”, the ignition mode cannot be returned to “LOCK” (OFF).

- When selecting the power supply modes, the information display in the instrument cluster shows certain messages. Refer to “Information Display” in the “Before Driving” section for details.

If the master warning indicator light flashes and the power supply modes cannot be selected

Your keyless start system remote controller may not be sensed as being within the “interior workable area” (Refer to the related explanation in this section). Try again after making sure you have the remote controller with you. If the power supply modes still cannot be selected, the battery of the remote controller may be discharged. To be able to select a power supply mode, you must then use the following method:



57L21124

- 1) Without depressing the brake pedal, push the engine switch (1).
- 2) Within about 10 seconds during which the master warning indicator light in the instrument cluster is flashing and the “PLACE KEY FOB ON START SWITCH” message appears on the information display, touch the engine switch with the lock switch end of the remote controller (2) for about 2 seconds.

NOTE:

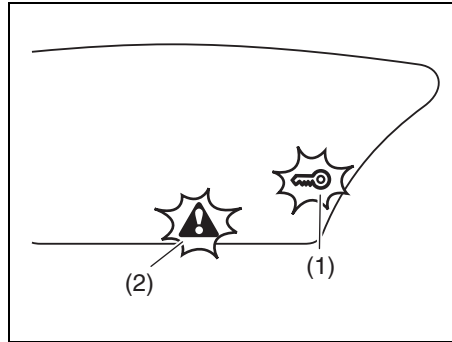
- If you still cannot select the power supply modes, there may be some problem with the keyless start system. Contact an authorized SUZUKI dealer for an inspection of the system.
- The immobilizer/keyless start system warning light will light for about 5 seconds while the master warning indicator light is flashing. In addition, the information display in the instrument cluster will show a message during this time. Refer to “Information Display” in the “Before Driving” section for details.
- You may customize the system to cause the interior buzzer to sound once for the “remote controller out of sensing range” warning. To incorporate this customization, please contact an authorized SUZUKI dealer.
- If the battery of the remote controller is about to become completely discharged, the corresponding message will appear

on the information display when you press the engine switch to change the ignition mode to "ON". Refer to "Information Display" in the "Before Driving" section for details. For details on replacing the battery, refer to the "Keyless Start System Remote Controller" section in the "Before Driving" chapter.

"Remote Controller Outside" Warning

When the conditions described below are met, the system gives a "remote controller outside" warning by sounding the interior and exterior buzzers and flashing the immobilizer/keyless start system and master warning indicator lights.

- The remote controller is not inside the vehicle when any of the doors is opened when the engine is running or when the engine switch is pressed to change the ignition mode to "ACC" or "ON" and then all doors are closed.
- The remote controller is not inside the vehicle when you attempt to start the engine after changing the ignition mode to "ACC" or "ON" by pressing the engine switch.



57L31003

- (1) Immobilizer/keyless start system warning light (flashing)
- (2) Master warning indicator light (flashing)

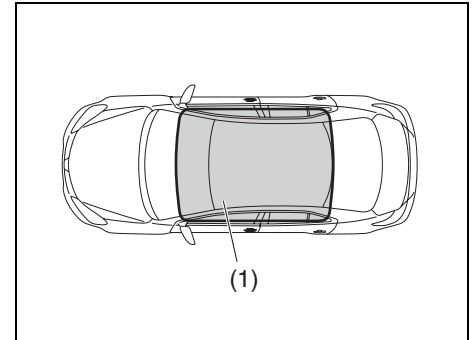
NOTE:

- If the warning is given, locate the remote controller as soon as possible.
- Any attempt to start the engine will fail while the warning is active. The message appearing on the information display in the instrument cluster will also indicate this condition. Refer to "Information display" in the "Before Driving" section for details.
- Flashing of the immobilizer/keyless start system warning light and the master warning indicator light should stop shortly after the remote controller is brought back inside the vehicle. If they do not stop flashing, change the ignition

mode to "LOCK" (OFF) by pressing the engine switch and then perform the engine starting operation.

- Always keep the remote controller with you as the driver.

Interior Workable Area for Engine Starting, Power Supply Mode Selection and "Remote Controller Outside" Warning



57L31004

- (1) Interior workable area

The "interior workable area" for these functions is defined as all the interior spaces except for the space above the instrument panel.

NOTE:

- Even when the remote controller is in the "interior workable area", if it is in any of

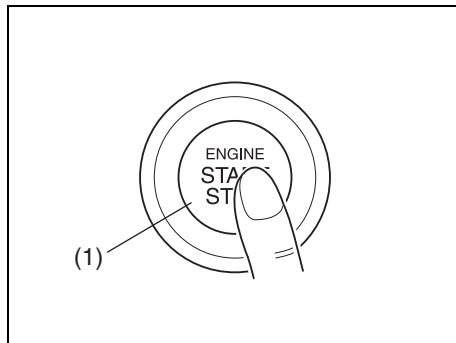
the following conditions, you may not be able to start the engine or select the power supply modes, and the “remote controller outside” warning may be given.

- The remote controller’s battery is low.
- The remote controller is affected by strong radio signals or noise.
- The remote controller is in contact with or covered by a metallic object.
- The remote controller is in stowage like the glove box or a door pocket.
- The remote controller is in the sun visor pocket or on the floor.
- Even when the remote controller is outside the “interior workable area”, if it is in any of the following conditions, you may be able to start the engine or select the power supply mode. The “remote controller outside” warning may not be given at that time.
 - The remote controller is outside the vehicle but very close to a door.
 - The remote controller is on the instrument panel.

Starting the Engine

Before Starting the Engine

- 1) Make sure the parking brake is set fully.
- 2) Manual Transaxle – Shift to “N” (Neutral) and fully depress the clutch pedal. Hold the clutch and brake pedals fully depressed.
CVT – If the gearshift lever is not in the “P” (Park) position, shift it to “P”. Hold the brake pedal fully depressed.
- 3) The “PUSH START SWITCH” message will appear on the information display in the instrument cluster. Push the engine switch (1). When the engine is started, the starter motor will automatically stop.



82K254

⚠ WARNING

Make sure that the parking brake is set fully and the transaxle is in Neutral (or Park for vehicles with a CVT) before attempting to start the engine.

CAUTION

- Do not depress the accelerator during the engine starting procedure.
- If the engine does not respond when you try to start it with the engine switch or if the engine switch repeats cycling through the “OFF” - “ACC” - “ON” mode, the vehicle battery may be discharged. Check the voltage of the vehicle battery before trying again.

NOTE:

- You do not need to keep the engine switch pressed to start the engine.
- The engine of a manual transaxle vehicle will not start unless the clutch pedal is depressed.
- CVT vehicles have a starter interlock device which is designed to keep the starter from operating if the transaxle is in any of the drive positions.
- During the engine starting procedure, messages on the information display will help you. Refer to “Information Display” in the “Before Driving” section for details.

- You should turn off such loads as the headlights and air conditioning system to facilitate starting of the engine.
- Even if you fail to start the engine, the starter motor will stop turning automatically after a short time. After the starter motor has stopped or if there is some problem with the system, the starter motor will rotate only while the engine switch is being pressed.

Stopping the engine

- Depress the engine switch to stop the engine after the vehicle stopped completely.
- In case of emergency, you can stop the engine by depressing the engine switch more than 3 seconds while the vehicle in motion.

NOTE:

Except in emergency, do not stop the engine while the vehicle in motion. The steering and braking operation will require more efforts when the engine stopped. Refer to “Braking” in the “OPERATING YOUR VEHICLE” section.

Starting a Cold Engine

With your foot off the accelerator pedal, crank the engine by pressing the engine switch to change the ignition mode to “START”.

CAUTION

If the engine doesn't start on the first try, wait about 15 seconds before trying again.

After pressing the engine switch to change the ignition mode to “START”, the starter cranks the engine for about 12 seconds before it can start the engine. If the engine fails to start at the first attempt, wait about 15 seconds, then try again while keeping the engine switch pressed while pressing down the accelerator pedal to 1/3 of its travel. Release the accelerator pedal when the engine starts.

If the engine still does not start, try holding the accelerator pedal all the way to the floor while cranking. This should clear the engine if it is flooded.

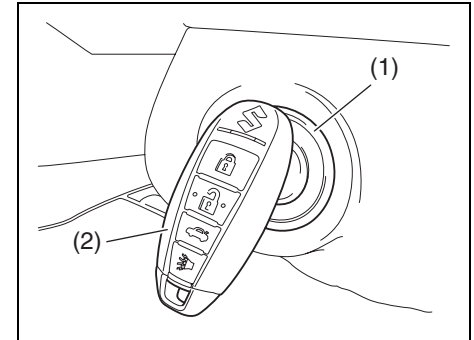
If you are unable to start the engine using this procedure, consult your SUZUKI dealer.

Starting a Warm Engine

Use the same procedure as for “Starting a Cold Engine”.

If the master warning light flashes and the engine cannot be started

Your keyless start system remote controller may not be sensed as being within the “interior workable area”. Try again after making sure that you have the remote controller with you. If the engine still cannot be started, the battery of the remote controller may be discharged. You must then use the following method to be able to start the engine.



57L21124

- 1) Make sure the parking brake is set fully.
- 2) Manual Transaxle – Shift to “N” (Neutral) and fully depress the clutch pedal. Hold the clutch and brake pedals fully depressed.

OPERATING YOUR VEHICLE

CVT – If the gearshift lever is not in the “P” (Park) position, shift it to “P”. Hold the brake pedal fully depressed.

- 3) The PUSH START SWITCH. message will appear on the information display in the instrument cluster. Press the engine switch (1).
- 4) Within about 10 seconds of flashing of the master warning light in the instrument cluster, touch the engine switch with the lock switch end of the remote controller (2) for about 2 seconds.

NOTE:

- If you still cannot start the engine after several attempts using the above method, there may be a problem elsewhere, such as a low battery. Contact your SUZUKI dealer for inspection.
- The immobilizer/keyless start system warning light will light for about 5 seconds while the master warning light is flashing. In addition, the information display will show a certain message during this time. Refer to “Information Display” in the “Before Driving” section for details.
- You may customize the system to cause the interior buzzer to sound once for the “remote controller out of sensing range” warning. Please contact an authorized SUZUKI dealer for the customization.
- If the battery of the remote controller is about to be completely discharged, a message warning this will appear on the information display when the ignition mode is changed to “ON” by pressing

the engine switch. For details on replacing the battery, refer to the “Keyless Start System Remote Controller” section in the “Before Driving” chapter.

Returning the ignition mode to “LOCK” (OFF)

CVT – To ensure safety, the ignition mode can be returned to “LOCK” (OFF) by pressing the engine switch only when the gearshift lever is placed in the “P” position.

NOTE:

- Messages may appear on the information display in the instrument cluster when you attempt to return the ignition mode to “LOCK” (OFF) by pressing the engine switch. Refer to “Information display” in the “Before Driving” section for details.
- In the case of a CVT model, the engine cannot be returned to the “LOCK” (OFF) position if the gearshift lever is in any other position than “P”.
Certain problems like a fault in engine system may prevent the engine switch from going back to the “LOCK” (OFF) mode. If this happens, have the vehicle inspected by an authorized SUZUKI dealer after doing the following:
 - Lock the doors using the key to prevent theft. (The request switches and the keyless start system remote controller cannot be used to lock them.)

– Disconnect the negative cable from the battery to prevent discharge.

“LOCK” (OFF) mode reminder buzzer

If the driver's door is opened without returning the ignition mode to “LOCK” (OFF) by pressing the engine switch, a buzzer sounds to warn you of this state.

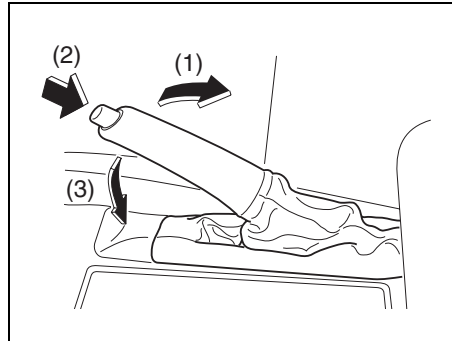
- If you open the driver's door after pressing the engine switch to change the ignition mode to “ACC”, the interior buzzer beeps intermittently.
- The buzzer will stop sounding if you then push the engine switch twice, thus bringing it back the ignition mode to “LOCK” (OFF).

NOTE:

Whenever you leave the vehicle, make sure you have returned the ignition mode to “LOCK” (OFF) using the engine switch and then lock the doors. Without returning the ignition mode to “LOCK” (OFF), you cannot use a request switch or keyless start system remote controller to lock the doors.

Steering lock warning buzzer

If the steering lock fails to engage due to a fault in the system even when you press the engine switch to change the ignition mode to "LOCK" (OFF), the interior buzzer will warn you of this condition with repeated short beeps. If this happens, have the vehicle inspected by an authorized SUZUKI dealer.

Parking Brake Lever

57L31007

- (1) To set
- (2) To release
- (3) To release

The parking brake lever is located between the seats. To set the parking brake, hold the brake pedal down and pull the parking brake lever all the way up. To release the parking brake, hold the brake pedal down, pull up slightly on the parking brake lever, push the button on the end of the lever with your thumb and lower the lever to its original position.

For CVT vehicles, always set the parking brake before moving the gearshift lever to the "P" (Park) position. If you park on an incline and shift into "P" before you set the parking brake, the weight of the vehicle may make it difficult to shift out of "P" when you are ready to drive the vehicle. When preparing to drive the vehicle, move the gearshift lever out of the "P" position before releasing the parking brake.

⚠ WARNING

- **Never drive your vehicle with the parking brake set: rear brake effectiveness can be reduced from overheating, brake life may be shortened or permanent brake damage may result.**
- **If the parking brake does not hold the vehicle securely or does not fully release, have your vehicle inspected immediately by an authorized SUZUKI dealer.**

⚠ WARNING

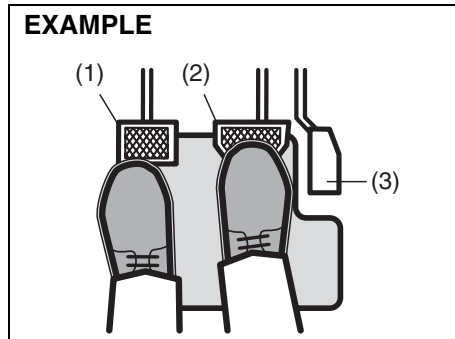
Always set the parking brake fully before leaving your vehicle or it may roll, causing injury or damage. When parking, make sure the gearshift lever for manual transaxle vehicles is in 1st gear or "R" (Reverse) and the gearshift lever for CVT vehicles is in "P" (Park). Remember, even though the transaxle is in gear or in Park, you must set the parking brake fully.

Parking Brake Reminder Buzzer

If you start the vehicle without releasing the parking brake, the interior buzzer warns you by repeated triple beeps.

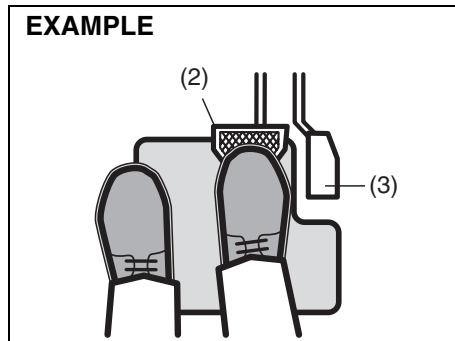
Pedals

Manual transaxle



57L31028

CVT



57L31029

Clutch Pedal (1)

(For manual transaxle)

The clutch pedal is used to disengage the drive to the wheels when starting the engine, stopping or shifting the gearshift lever. Depressing the pedal disengages the clutch.

CAUTION

Do not drive with your foot resting on the clutch pedal. It could result in excessive clutch wear, clutch damage, or unexpected loss of engine braking.

Brake Pedal (2)

Your SUZUKI vehicle is equipped with either front and rear disc brakes. Depressing the brake pedal applies both sets of brakes.

You may hear occasional brake squeal when you apply the brakes. This is a normal condition caused by environmental factors such as cold, wet, snow, etc.

⚠ WARNING

If brake squeal is excessive and occurs each time the brakes are applied, you should have the brakes checked by your SUZUKI dealer.

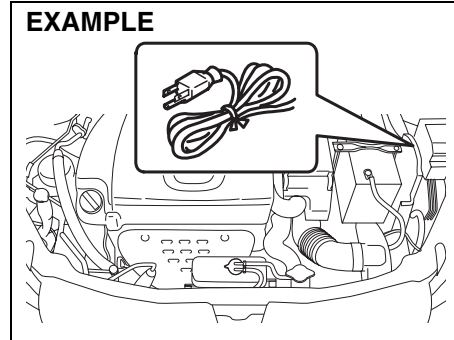
⚠ WARNING

Do not “ride” the brakes by applying them continuously or resting your foot on the pedal. This will result in overheating of the brakes which could cause unpredictable braking action, longer stopping distances or permanent brake damage.

Accelerator Pedal (3)

This pedal controls the speed of the engine. Depressing the accelerator pedal increases power output and speed.

**Engine Block Heater
(if equipped)**



57L31034

The engine block heater will help you start the engine more easily in very cold weather (-18°C (0°F) or below). To use the engine block heater:

- 1) Turn off the engine.
- 2) Open the engine hood.
- 3) Untie the block heater cord and remove the block heater plug cap. When the engine block heater is not in use, ensure the heater cord is secured to prevent contact with any moving parts.
- 4) Using a heavy-duty, three-prong grounded extension cord, plug the female end into the block heater socket and the male end into a normal, grounded 110-volt AC outlet.

NOTE:

Activate the heater at least four hours before you start the engine. However, as the heating time varies depending on the ambient temperature and other factors, adjust the time by observing the engine cranking condition.

⚠ WARNING

To avoid serious personal injury caused by electrical shock or fire:

- Do not plug the cord into a non-grounded outlet. Only use a properly grounded three-prong 110-volt AC outlet.
- Do not use a 2-wire (non-grounded) extension cord.
- Only use a heavy-duty, three-prong extension cord rated for at least 15 amps.

After using the block heater:

- 1) Unplug the extension cord and reinstall the plug cap.
- 2) Tie the block heater cord back to its original position.

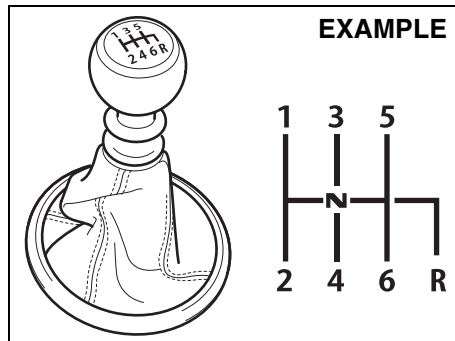
CAUTION

Secure the block heater cord back to its original position or to the routed position. A loose cord could get caught in the engine accessory drive belt(s) or other moving parts.

- 3) Close the engine hood securely before starting the engine.

Using the Transaxle

Manual Transaxle



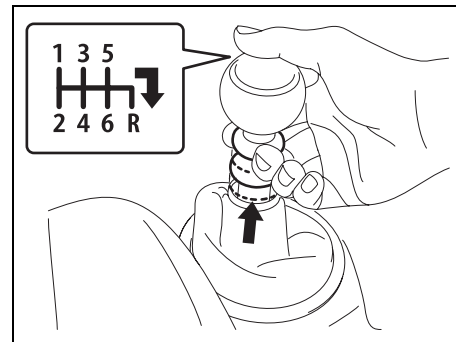
80J2081

Starting off

To start off, depress the clutch pedal all the way to the floor and shift into 1st gear. After releasing the parking brake, gradually release the clutch. When you hear a change in the engine's sound, slowly press the accelerator while continuing to gradually release the clutch.

Shifting

All forward gears are synchronized, which provides for quiet, and easy shifting. Always depress the clutch pedal all the way to the floor before shifting gears. Keep the engine speed does not rise into the red zone of the tachometer.



80J2082

Reverse gear: with lifting up ring, shift the gearshift lever to the right, engage gear.

Downshifting maximum allowable speeds

For J24B engine

Downshifting	Km/h (mph)
2nd to 1st	50 (31)
3rd to 2nd	90 (56)
4th to 3rd	135 (84)
5th to 4th	185 (115)*
6th to 5th	225 (140)*

**NOTE:
You may not accelerate to the maximum allowable speed because of the driving situation and/or the vehicle condition.*

CAUTION

When downshifting to a lower gear, make sure not to operate with the speed faster than the maximum allowable speeds for the next lower gear, or severe engine damage can result.

⚠ WARNING

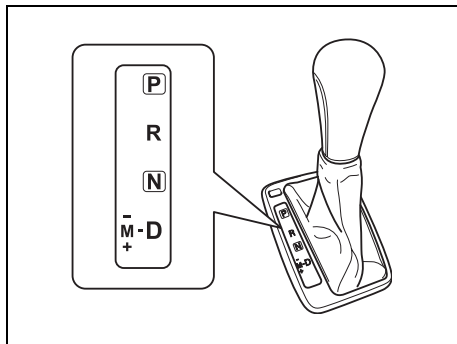
- Reduce your speed and downshift to a lower gear before going down a long or steep hill. Downshifting will allow the engine to provide braking. Avoid riding the brakes or they may overheat, resulting in brake failure.
- When driving on slippery roads, be sure to slow down before downshifting. Large and sudden changes in engine speed may cause loss of traction, which could cause you to lose control.
- Make sure that the vehicle is completely stopped before you shift into reverse.

CAUTION

- To help avoid clutch damage, do not use the clutch pedal as a foot-rest while driving or use the clutch to keep the vehicle stationary on a slope. Depress the clutch fully when shifting.
- When shifting or starting off, do not race the engine. Racing the engine can shorten engine life and affect smooth shifting.

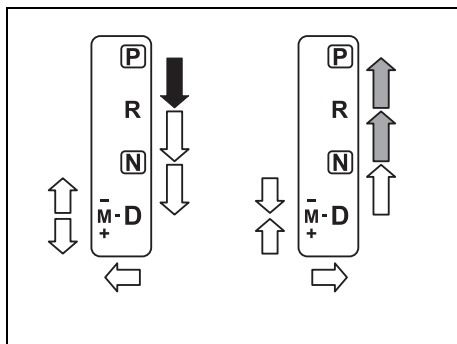
OPERATING YOUR VEHICLE

Continuously Variable Transaxle (CVT)



57L31008

Gearshift lever



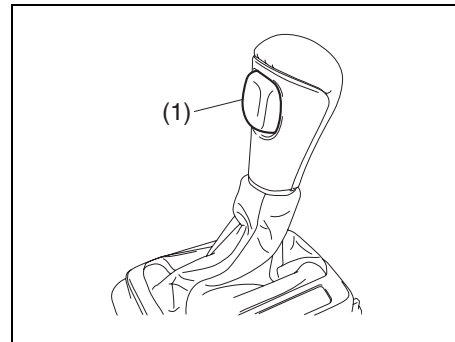
57L31009

⚠ WARNING

Always depress the brake pedal before shifting from "P" (Park) (or "N" (Neutral) if the vehicle is stationary) to a forward or reverse gear, to help prevent the vehicle from moving unexpectedly when you shift.

The gearshift lever has a lock mechanism to help prevent accidental shifting. To shift the gearshift lever:

	Shift with the lock button (1) pushed in and the brake pedal depressed.
	Shift with the lock button (1) pushed in.
	Shift without the lock button (1) pushed in.



57L31010

NOTE:

- Always shift the gearshift lever without pushing in the lock button (1) except when you shift from "P" to "R", from "N" to "R" or from "R" to "P". If you always push in the lock button (1) when shifting the gearshift lever, you could shift into "P" or "R" by mistake.
- If driver's or passenger's knee hits the gearshift lever while driving, the lever could move and the gear could be changed unexpectedly.

Use the gearshift lever positions as follows:

P (Park)

Use this position to lock the transaxle when the vehicle is parked or when starting the engine. Shift into Park only when the vehicle is completely stationary.

R (Reverse)

Use this position to reverse the vehicle from stop. Make sure that vehicle is completely stationary before shifting into Reverse.

CAUTION

Do not shift the gearshift lever into "R" while moving forward, or the transaxle may be damaged. If you shift into "R" when the vehicle speed is over 6mph (10km/h), the transaxle will not shift into reverse.

N (Neutral)

Use this position for starting the engine if the engine stalls and you need to restart it while the vehicle is moving. You may also shift into Neutral and depress the brake pedal to hold the vehicle stationary during idling.

D (Drive)

Use this position for all normal driving.

With the gearshift lever in "D" range you can get an automatic downshift by pressing the accelerator pedal. The higher the vehicle speed is, the more you need to press the accelerator pedal to get a downshift.

M (manual mode)

Use this position for driving in the manual mode.

Refer to "Manual mode" later in this section for details on how to use the manual mode.

CAUTION

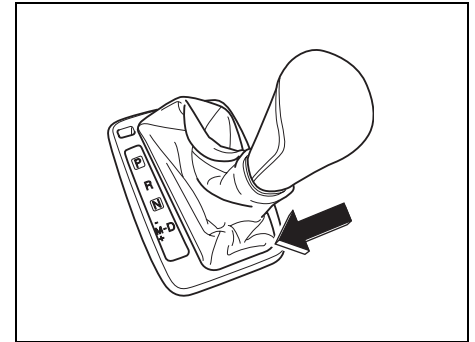
Be sure to take the following precautions to help avoid damage to the CVT:

- Make sure that the vehicle is completely stationary before shifting into "P" or "R".
- Do not shift from "P" or "N" to "R", "D" or "M" when the engine is running above idle speed.
- Do not rev the engine with the transaxle in a drive position ("R", "D" or "M") and the front wheels not moving.
- Do not use the accelerator to hold the vehicle on a hill. Use the vehicle's brakes.

Manual mode

The CVT can shift gears automatically. When using the manual mode, you can shift gears in the same manner as conventional manual transaxle.

To use the manual mode, shift the gearshift lever from "D" to "M".



57L31011



57L31012

- (1) Manual mode indicator
- (2) Gear position

The information display shows the manual mode indicator (1) and the current gear position (2).

OPERATING YOUR VEHICLE

NOTE:

- The indicated gear position on the information display when you shift from “D” to “M” is the gear position that was selected automatically when the gearshift lever was in “D”.
- You can change to the manual mode temporarily by pulling the shift paddle (if equipped) on the steering wheel toward you when the gearshift lever is in “D”.

Shifting in the manual mode

You can shift gears from 1st to 6th depending on driving speed.

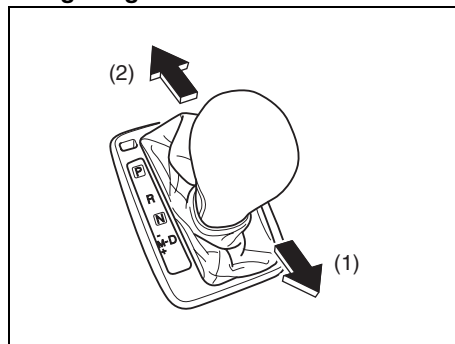
NOTE:

- If the CVT fluid becomes hot such as when driving uphill, the transaxle will automatically shift up in order to protect itself and the engine regardless of your gear shifting operation.
- When the driving speed becomes slow, the gear shifts down automatically, and when the vehicle stops, the gear position will be in 1st gear without shifting the gearshift lever.
- If you depress the accelerator pedal a certain amount, the gear shifts down automatically even if the gearshift lever is in the manual mode.

NOTE:

When you change gear, sometimes the transaxle may not shift to the desired gear but a buzzer sounds instead. This is to maintain good drivability and to protect the transaxle.

Using the gearshift lever



57L31013

- (1) “-” side (shift down)
- (2) “+” side (shift up)

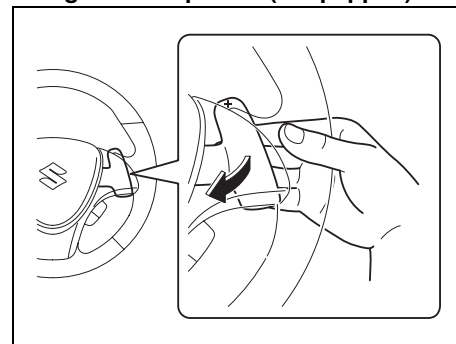
To shift up, pull the gearshift lever to the “+” side (rearward). When you remove your hand from the gearshift lever, the lever will return to the “M” position automatically.

To shift down, push the gearshift lever to the “-” side (forward). When you remove your hand from the gearshift lever, the lever will return to the “M” position automatically.

NOTE:

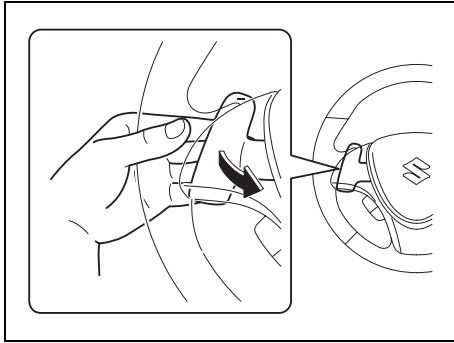
To shift gears continuously, remove your hand from the gearshift lever, then shift the lever again. You cannot shift gears continuously while holding the lever in the “+” or “-” position.

Using the shift paddle (if equipped)



57L40010

To shift up, pull the “+” side shift paddle, located on right side of the steering wheel, toward you. When you remove your finger from the switch, the switch will return to the original position.



57L40011

To shift down, pull the “-” side shift paddle, located on left side of the steering wheel, toward you. When you remove your finger from the switch, the switch will return to the original position.

NOTE:

- To shift gears continuously, remove your finger from the shift paddle, then pull the shift paddle again. You cannot shift gears continuously while holding the shift paddle toward you.
- When you pull the both “+” and “-” shift paddle simultaneously, the gear may not shift.

Canceling the manual mode

To cancel the manual mode, shift the gearshift lever from “M” to “D”.

Temporary manual mode

Pull the shift paddle (if equipped) toward you when driving with the gearshift lever in the “D” position. The information display shows the manual mode indicator (1) and the current gear position (2).



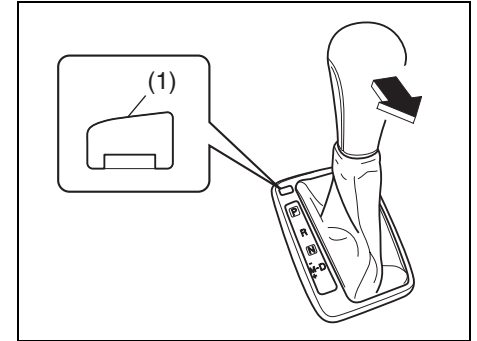
57L31012

- (1) Manual mode indicator
- (2) Gear position

The temporary manual mode will be canceled automatically in the following situations.

- When you press and hold the accelerator pedal for a certain period of time without shifting gears.
- When driving speed becomes slow.

If You Cannot Shift CVT Gearshift Lever Out of “P” (PARK)



57L31015

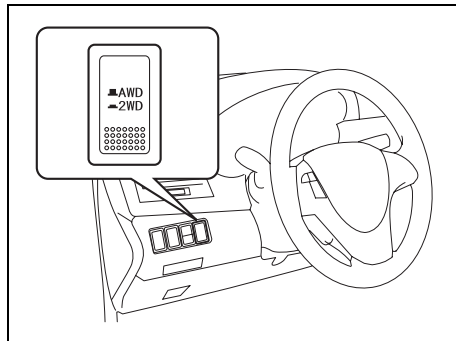
Vehicles with a CVT have an electrically operated park-lock feature. If the vehicle’s battery is discharged, or there is some other electrical failure, the CVT cannot be shifted out of Park in the normal way. Jump starting may correct the condition. If not, follow the procedure described below. This procedure will permit changing the transaxle out of Park.

- 1) Be sure the parking brake is firmly applied.
- 2) If the engine is running, stop the engine.
- 3) Remove the cover (1) over the button.
- 4) With pushing the release button by the key or the flat end rod, shift the gearshift lever to the desired position.

OPERATING YOUR VEHICLE

This procedure is for emergency use only. If repeated use of this procedure is necessary, or the procedure does not work as described, take the vehicle to your dealer for repair.

Using the 2WD/i-AWD (intelligent All Wheel Drive) Switch (if equipped)



57L31016

This i-AWD system enables you to select the driving mode according to driving conditions by operating the 2WD/i-AWD switch.

Driving Modes

2WD

If you drive on a dry, paved road, select this mode to save fuel.

In this mode, the engine torque transmitted to the rear wheels is limited to the minimum. (As a result, the vehicle runs in a quasi-front-wheel-drive condition.)

i-AWD

This mode is for all normal driving. In almost all road surface conditions, the system keeps distributing engine torque to the rear wheels in the most suitable proportion for varying conditions under automatic control.

In the i-AWD mode, the i-AWD controller monitors the driver's vehicle control operations and conditions of the vehicle. Based on the sensed conditions, the controller electronically controls the power coupling so that optimum torque is distributed to the rear wheels. This function improves driving stability and driving performance on rough roads and stabilizes driving performance even on snow-covered up-hill roads or the like.

During constant speed driving, torque distribution to the rear wheels is reduced almost to the front-wheel-drive condition, thus improving fuel consumption.

2WD/i-AWD Switch Operation

Operate the 2WD/i-AWD switch according to the appropriate procedure described below:

How to turn on 2WD/i-AWD switch

2WD/i-AWD switch will activate when the engine switch is pressed to change the ignition mode to "ON".

From 2WD to i-AWD

Push the 2WD/i-AWD switch in, and the "i-AWD" indicator will come on.



57L30044

From i-AWD to 2WD

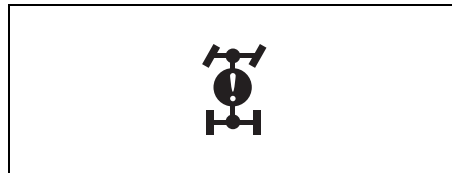
Push the "2WD/i-AWD" switch so that it releases, and the "i-AWD" indicator will turn off.

NOTE:

- The 2WD/i-AWD switch can be operated when the vehicle is either stopped or moving.
- Make sure that the front wheels are in the straight ahead position when operating the 2WD/i-AWD switch.
- While making turns or accelerating and decelerating, operating the 2WD/i-AWD switch or pressing the engine switch to

change the ignition mode to "ACC" or "LOCK" in the "i-AWD" mode may cause a shock, but this is not a system malfunction.

- When you operate your vehicle under conditions that involve wheel spin, such as driving off-road in the sand or water or when a wheel has run off the road, the difference in the amount of revolution between front wheels and rear wheels increases (wheels run idle). If this state continues, the oil temperature of the driving system parts increases. The "i-AWD" warning light warns of this condition by blinking. At the same time, the information display on the instrument cluster shows this message: "AWD SYSTEM HIGH TEMP AWD IS OFF".



57L30042

When the "i-AWD" warning light comes on after you have operated your vehicle in the i-AWD mode continuously, park the vehicle at a safe place and run the engine idle. After some time, the "i-AWD" indicator light turns on again and the driving mode returns to the "i-AWD" mode.

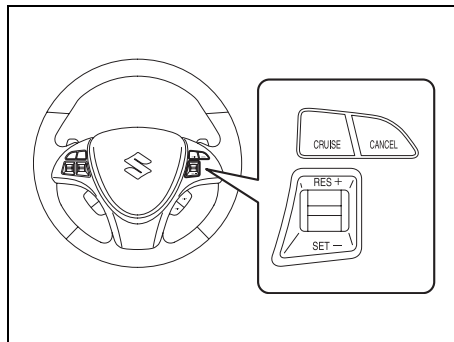
CAUTION

- Note that i-AWD vehicles are not all-around vehicles. Be sure to observe the following instructions when driving your vehicle.
 - Do not drive through water such as by crossing a river.
 - Do not drive continuously in places such as sand and mud where front wheels tend to race.
 - When any wheel is in the air for such reason as running off the road, do not race it needlessly.
- If the "i-AWD" warning light comes on or blinks when driving, there may be something wrong with the i-AWD system. Have the system inspected by an authorized SUZUKI dealer.
- The information display shows the "AWD SYSTEM HIGH TEMP AWD IS OFF" message whenever the "i-AWD" warning light comes on or blinks.

CAUTION

Unevenly worn tires can cause problems with operation of the 2WD/i-AWD switch. Be sure to rotate the tires according to the maintenance schedule. Refer to “Tires” and “Maintenance Schedule” in the “INSPECTION AND MAINTENANCE” section for proper tire rotation procedures.

Cruise Control (if equipped)



57L31017

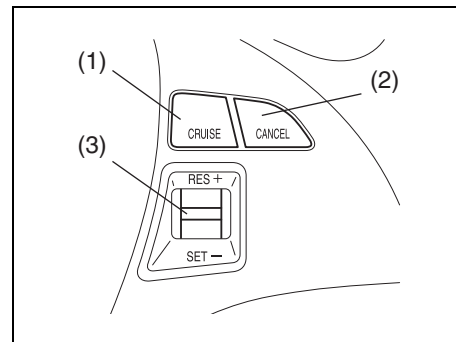
The cruise control system allows you to maintain a steady speed without keeping your foot on the accelerator pedal. The controls for operating the cruise control system are on the steering wheel.

You can use the cruise control system with the following conditions:

- For manual transaxle vehicle, the gear position is in 4th, 5th or 6th.
- For a CVT vehicle, the select lever is in “D” position or the gear is in 3rd, 4th, 5th or 6th with the lever in the “M” position.
- The vehicle speed is about 25 mph (40 km/h) or higher.

⚠ WARNING

To help avoid loss of vehicle control, do not use the cruise control system when driving in heavy traffic, on slippery or winding roads, or on steep downgrades.



57L40013

- (1) “CRUISE” switch
- (2) “CANCEL” switch
- (3) “RES +/SET -” switch

To Set Cruising Speed

- 1) Turn on the cruise control system by pushing the “CRUISE” switch (1). When the “CRUISE” indicator light comes on, you can set cruising speed.
- 2) Accelerate or decelerate to the desired speed.
- 3) Push down the “RES +/SET –” switch (3) and turn on the “SET” indicator light. Take your foot off the accelerator pedal and the set speed will be maintained.

⚠ WARNING

If the cruising speed is set by accident, you cannot decelerate or could lose control of the vehicle. This could lead to an accident, resulting in severe injury or death.

Turn off the cruise control system and make sure the “CRUISE” indicator light is off when the system is not in use.

“CRUISE” indicator light



52D113

When you push the “CRUISE” switch, the system is on and a “CRUISE” indicator light on the instrument cluster will be on.

“SET” indicator light



65D474

When the vehicle’s speed is controlled by the cruise control system, a “SET” indicator light on the instrument cluster will be on.

To Change Speed Temporarily

When the cruising speed is maintained, you can temporarily accelerate or decelerate.

To accelerate, depress the accelerator pedal. When you take your foot off the pedal, your vehicle will return to the set speed.

To decelerate, depress the brake pedal. The set speed will be canceled and “SET” indicator light will go off.

To resume the previously set speed, push up the “RES +/SET –” switch (3) and turn on the “SET” indicator light again when vehicle speed is above 25 mph (40 km/h). The vehicle will accelerate to and maintain the previously set speed.

NOTE:

For CVT vehicle, when the cruising speed is maintained, you cannot decelerate by using the engine brake if you downshift from higher gear to 3rd in the manual mode.

To decelerate while the cruise control is on, depress the brake pedal or push down the “RES +/SET –” switch (3).

To Change Cruising Speed

Using the accelerator pedal

To reset at a faster cruising speed, accelerate to the desired speed using the accelerator pedal and push down the “RES +/SET –” switch (3). The new speed will be maintained.

Using the brake pedal

To reset at a slower cruising speed, decelerate to the desired speed using the brake pedal and push down the “RES +/SET –” switch (3). The new speed will be maintained.

NOTE:

When the brake pedal is depressed, the “SET” indicator light goes off until reset the cruising speed.

Using the cruise control switch

To reset at a faster cruising speed, press repeatedly or hold push up the “RES +/SET –” switch (3). Vehicle speed will

OPERATING YOUR VEHICLE

steadily increase. When you release the switch, the new speed will be maintained.

To reset at a slower cruising speed, press repeatedly or hold push down the "RES +/SET -" switch (3) until the vehicle has slowed to the desired speed, then release the switch. The new speed will be maintained.

NOTE:

You can adjust the set speed by approximately 1.0 mph (1.6 km/h) by pushing a cruise control switch quickly.

Cancellation of the Cruise Control

The "SET" indicator light will go off and the cruise control will be canceled temporarily with following procedures:

- Push the "CANCEL" switch (2).
- Depress the brake pedal.
- For manual transaxle, depress the clutch pedal.
- For CVT, downshift from 3rd to 2nd in the manual mode.
- The vehicle speed falls more than about 20 percent from the set speed.
- Any time the vehicle speed falls below 25 mph (40 km/h).
- When the vehicle skids and ESP® (if equipped) is activated.

To resume the previously set speed, push up the "RES +/SET -" switch (3) and turn on the "SET" indicator light. Besides, the vehicle speed has to be above 25 mph (40

km/h) when the vehicle is not in the above conditions.

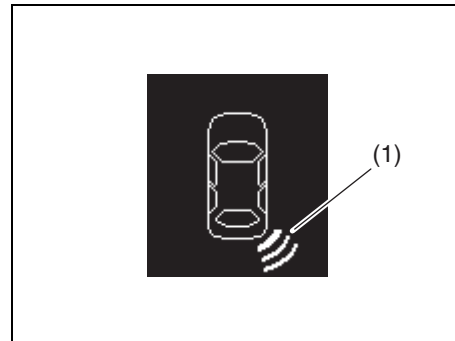
To turn off the cruise control system, push the "CRUISE" switch (1) and make sure the "CRUISE" indicator light is off.

Also, if the malfunction indicator light in the instrument cluster comes on or blinks, the cruise control system will be turned off.

NOTE:

If you turn off the cruise control system, the previously set speed in the memory is cleared. Reset your cruising speed again.

Parking Sensors (if equipped)



57L40019

(1) Symbol representing an obstacle detected by parking sensor*

* This symbol represents an obstacle that is located to the right rear at the vehicle.

- The parking sensor system uses ultrasonic sensors to detect obstacles near the rear bumper. If obstacles are sensed while you are parking or moving the vehicle slowly, the system warns you by sounding a buzzer and displaying symbols representing the obstacles on the information display in the instrument cluster.
- The system emits an ultrasonic wave and the relevant sensor detects the return of the wave reflected by an obstacle. The system measures the time

taken by the ultrasonic wave to reach the obstacle and return from it, from which it determines the obstacle's position.

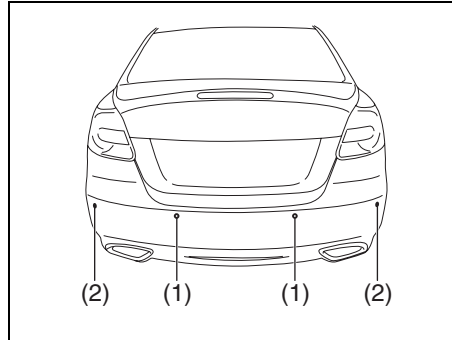
- The parking sensor function can be used when you press the engine switch to change the ignition mode to "ON", the gearshift lever is in the "R" position and the parking sensor switch is in the ON position. This function is helpful when parallel-parking the vehicle, steering the vehicle into the garage or moving slowly in a place with obstacles.

⚠ WARNING

- **The parking sensor warns you of obstacles with buzzers and by showing you the location of the obstacles on the information display. However, you must still pay full attention yourself while driving.**
- **The sensors can detect obstacles only within a limited area and only when the vehicle is moving within a limited speed range. So, in tricky areas, you must move the vehicle slowly while checking around it using your direct vision or rearview mirrors. There is increased risk of an accident if you control the vehicle relying only on the parking sensor.**

Sensor Locations

On rear bumper



57L31018

- (1) Rear center sensors (2 places)
- (2) Rear corner sensors (2 places)

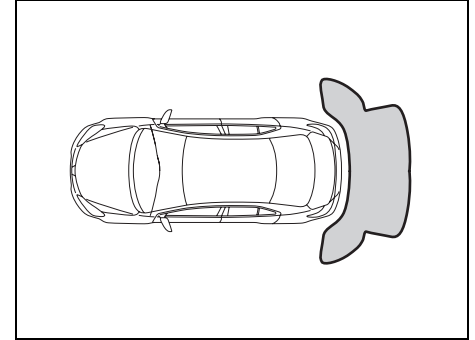
CAUTION

Avoid hitting the sensor areas or directing the nozzle of a high-pressure car washer onto the sensor areas. Otherwise, the sensors may be damaged.

NOTE:

- *If the bumper hits a hard object, the sensors on it may not work properly. If this occurs, have the sensors inspected by an authorized SUZUKI dealer.*

Approximate Areas Where Obstacles Can Be Detected



57L31019

- An obstacle within about 20 cm (8 in) from a sensor or just below a sensor is not detectable.
- The sensors can detect an obstacle up to about 1.5 m (5 ft) from the rear of vehicle.

CAUTION

- Under the following conditions, the parking sensor system may not work normally because the sensors cannot detect obstacles correctly.
 - Sensors are covered with mud, ice or other materials. (Such materials must be removed for normal operation.)
 - Sensors are wet from water splashes or heavy rain.
 - Sensors are covered by a hand, sticker, accessory, etc.
 - There is an accessory or other object attached within the sensor's sensing area.
 - Items such as tow hooks, a backlit license plate, commercially available corner poles, radio antenna, etc. are installed on the bumper.
 - The height of the bumper is changed due to alteration to the suspension or other causes.
 - The sensor areas are extremely hot from direct sunlight or cold due to freezing weather.
 - The vehicle is on a rough surface, slope, gravel road or grass field.
 - The vehicle is at a steep angle.

(Continued)

CAUTION

(Continued)

- Sensors have intercepted ultrasonic noise from another vehicle's horn, engine, air braking system (large vehicles), or parking sensor.
- Obstacles are too close to the sensors.
- Sensors are at an angle to a highly reflective object such as glass. (Ultrasonic waves are not reflected back from the obstacle.)
- Sensors may not be able to correctly detect the following types of obstacles:
 - Objects made of a thin material like wire netting and ropes
 - Square-shaped curbstones or other objects with sharp edges
 - Tall objects with a large upper part like a road sign
 - Low-profile objects such as curbstones
 - Sound-absorbing objects such as cotton and snow

NOTE:

- *Thin poles or obstacles lower than the sensors may become undetectable as the vehicle moves closer to them even if they have been detected from longer distances.*

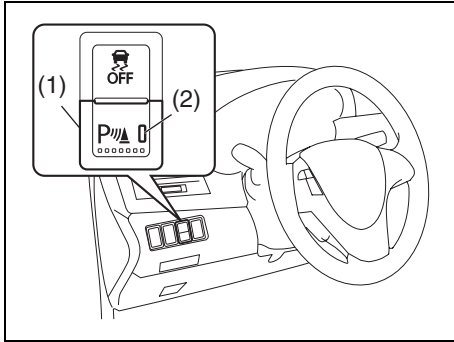
- *The system may calculate the distance to a road sign or similar obstacle to be shorter than the actual distance.*

Certification (Canada only)

This ISM device complies with Canadian ICES*-001

* Interference-Causing Equipment Standards

How to Use the Parking Sensor Parking Sensor Switch



57L31021

- (1) Parking sensor switch
- (2) Indicator

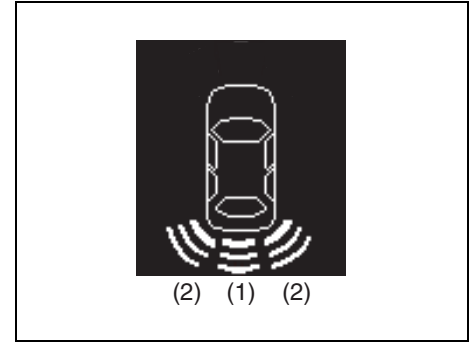
- When you push the parking sensor switch with the engine switch in the "ON" mode, the switch releases to the ON position and the indicator in the switch comes on. If you then place the gearshift lever in the "R" position, the parking sensor system is activated.
- Push the switch again and it stays in; this is the OFF position. The indicator in the switch goes out and the parking sensor is deactivated.

Switch position	State
	<p>ON</p> <ul style="list-style-type: none"> • The indicator lights up and when all necessary conditions are met, system becomes ready for operation.
	<p>OFF</p> <ul style="list-style-type: none"> • The system does not operate. Place the switch in this position if you do not wish to use the parking sensor.

NOTE:

If you push the parking sensor switch from the OFF to ON position when the ignition mode has been changed to "ON" by pressing the engine switch, the inside buzzer sounds once.

Obstacle Indication by Parking Sensor



57L31020

- (1) Obstacle detected by rear center sensors
- (2) Obstacle detected by rear corner sensors

Upon detecting an obstacle, the parking sensor causes an interior buzzer to sound and a symbol representing the obstacle appears on the information display in the instrument cluster.

- A different symbol is displayed depending on the direction and distance of the obstacle.
- A buzzer located behind the rear seat sounds when a sensor at the rear detects an obstacle.

OPERATING YOUR VEHICLE

- Warnings when obstacles are detected by corner sensors

Distance (approx.)	Buzzer	Symbol
37.5 – 60 cm (15 – 24 in)	Short beeps at short intervals	Three lines
25 – 37.5 cm (10 – 25 in)	Short beeps at very short intervals	Two lines
Less than 25 cm (10 in)	Continuous beep	One line

- Warnings when obstacles are detected by center sensors



Distance (approx.)	Buzzer	Symbol
60 – 150 cm (24 – 59 in)	Short beeps at long intervals	Three lines
45 – 60 cm (18 – 24 in)	Short beeps at short intervals	
35 – 45 cm (14 – 18 in)	Short beeps at very short intervals	Two lines
Less than 35 cm (14 in)	Continuous beep	One line

NOTE:

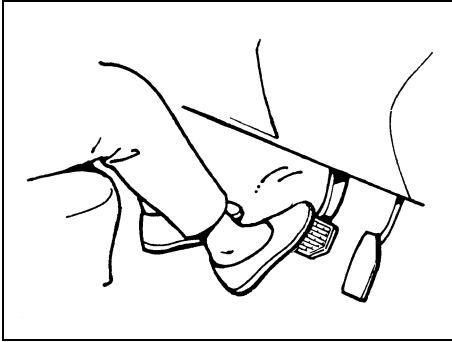
- Symbols are displayed with a short delay after the detection of obstacles.
- If the system detects multiple obstacles simultaneously, the display shows all of their positions using the corresponding symbols. However, the buzzers will sound only for the nearest obstacles.

Warning and Indicator Messages

If there is a problem or warning regarding the parking sensor system, a message is displayed on the information display in the instrument cluster, and a symbol flashes and the buzzer sounds. If a message is displayed, follow its instruction.

Message	Symbol	Buzzer	Probable cause and remedy
 <p>SERVICE PARKING SENSORS</p> <p>50°F 49.1 Miles</p>	Two flashing lines in a sensor location.	Series of double beeps	There may be problem with the parking sensor system. Have your vehicle inspected by an authorized SUZUKI dealer.
 <p>CLEAN PARKING SENSORS</p> <p>50°F 49.1 Miles</p>	One flashing line in a sensor location.	Series of single beeps	The indicated sensor is contaminated. Wipe it clean with a soft cloth.

Braking



60G165

The distance needed to bring any vehicle to a halt increases with the speed of the vehicle. The braking distance needed, for example, at 60 km/h (37 mph) will be approximately 4 times greater than the braking distance needed at 30 km/h (19 mph). Start to brake the vehicle when there is plenty of distance between your vehicle and the stopping point, and slow down gradually.

⚠ WARNING

If water gets into the brake drums, brake performance may become poor and unpredictable.

After driving through water or washing the underside of the vehicle, test the brakes while driving at a slow speed to see if they have maintained their normal effectiveness. If the brakes are less effective than normal, dry them by repeatedly applying the brakes while driving slowly until the brakes have regained their normal effectiveness.

⚠ WARNING

Even without reserve power in the brake system, you can still stop the vehicle by pressing the brake pedal harder than normally required. However, the stopping distance may be longer.

Brake Assist System

When you slam the brakes on, the brake assist system judges as an emergency stop and provides more powerful braking for a driver who cannot hold down the brake pedal firmly.

NOTE:

If you quickly and forcefully depress the brakes, you may hear a clicking sound in the brake pedal. This is normal and indicates that the brake assist system is activated properly.

Power-Assisted Brakes

Your vehicle has power-assisted brakes. If power assistance is lost due to a stalled engine or other failures, the system is still fully operational on reserve power and you can bring the vehicle to a complete stop by pressing the brake pedal once and holding it down. The reserve power is partly used up when you depress the brake pedal and reduces each time the pedal is pressed. Apply smooth and even pressure to the pedal. Do not pump the pedal.

Anti-Lock Brake System (ABS) (if equipped)

ABS will help you avoid skidding by electronically controlling braking pressure. It will also help you maintain steering control when braking on slippery surfaces or when braking hard.

The ABS works automatically, so you do not need any special braking technique. Just push the brake pedal down without pumping. The ABS will operate whenever it senses that the wheels are locking up.

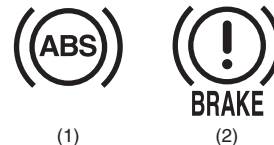
You may feel the brake pedal pulsate while the ABS is operating.

NOTE:

The ABS will not work if vehicle speed is under about 10 km/h (6 mph).

WARNING

- **On some types of loose surfaces (such as gravel, snow-covered roads, etc.), the stopping distance required for an ABS-equipped vehicle may be slightly greater than for a comparable vehicle with a conventional brake system. With a conventional brake system, skidding tires are able to “plow” the gravel or snow layer, shortening the stopping distance. ABS minimizes this resistance effect. Allow for extra stopping distance when driving on loose surfaces.**
- **On regular paved roads, some drivers may be able to obtain slightly shorter stopping distances with conventional brake systems than with ABS.**
- **In both of the above conditions, ABS will still offer the advantage of helping you maintain directional control. However, remember that ABS will not compensate for bad road or weather conditions or poor driver judgment. Use good judgment and do not drive faster than conditions will safely allow.**



65D451

- (1) ABS warning light
(2) Brake system warning light

WARNING

If the ABS warning light (1) on the instrument panel comes on and stays on while driving, there may be a problem with the ABS system.

If this happens:

- 1) Pull off the road and stop carefully.
- 2) Press the engine switch to change the ignition mode to "LOCK" (OFF) and then start the engine again.

If the warning light comes on briefly then turns off, the system is normal. If the warning light still stays on, have the system inspected by your SUZUKI dealer immediately. If the ABS system becomes inoperative, the brake system will function as an ordinary brake system that has no ABS.

WARNING

If the ABS warning light (1) and the Brake system warning light (2) on the instrument panel simultaneously stay on or come on when driving, both anti-lock function and rear brake force control function (proportioning valve function) of the ABS system may have failed. This could cause the rear wheels to skid or the vehicle to spin during braking on a slippery road or hard braking on a dry paved road. If both warning lights come on, drive carefully, avoiding hard braking as much as possible, and ask your SUZUKI dealer to inspect the ABS system immediately.

How the ABS Works

A computer continuously monitors wheel speed. The computer compares the changes in wheel speed when braking. If the wheels slow suddenly, indicating a skidding situation, the computer will change braking pressure several times each second to prevent the wheels from locking. When you start your vehicle or when you accelerate after a hard stop, you may hear a momentary motor or clicking noise as the system resets or checks itself.

WARNING

The ABS may not work properly if tires or wheels other than those specified in the owner's manual are used. This is because the ABS works by comparing changes in wheel speed. When replacing tires or wheels, use only the size and type specified in this owner's manual.

Electronic Stability Program (ESP®) (if equipped)

ESP® is a registered trademark of Daimler AG.

The Electronic Stability Program (ESP®) helps to control the vehicle during cornering if front wheels or rear wheels skid. It also assists you in maintaining traction while accelerating on loose or slippery road surfaces. It does this by regulating the engine's output, and by selectively applying the brakes. In addition, ESP® helps to avoid skidding by controlling braking pressure.

WARNING

The ESP® cannot enhance the vehicle's driving stability in all situations and does not control your vehicle's entire braking system. The ESP® cannot prevent accidents, including those resulting from excessive speed in turns, or hydroplaning. Only a safe and attentive driver can prevent accidents. The capabilities of an ESP®-equipped vehicle must never be used as a substitute for careful driving.

The ESP® has the following three systems:

Stability Control System

The vehicle stability control system helps provide integrated control of systems such as anti-lock brakes, traction control, engine control, etc. This system automatically controls the brakes and engine to help prevent the vehicle from skidding when cornering on a slippery road surface or when turning the steering wheel abruptly.

Traction Control System

The traction control system automatically helps prevent the spinning of wheels when the vehicle is started or accelerated on slippery road surfaces. The system operates only if it senses that some of the wheels are spinning or beginning to lose traction. When this happens, the system operates the front or rear brakes and reduces engine power to limit wheel spin.

NOTE:

You may hear a clicking sound in the engine compartment for a few seconds when you start the engine or just after the vehicle begins to move. This means that the above systems are in the self-check mode. This sound does not indicate a malfunction.

Anti-Lock Braking System (ABS)

ABS will help you avoid skidding by electronically controlling braking pressure. It will also help you maintain steering control when braking on slippery surfaces or when braking hard. The ABS works automatically, so you do not have to use any special braking technique. Just push the brake pedal down without pumping. The ABS will operate whenever it senses that wheels are locking up. You may feel the brake pedal pulsate while the ABS is operating. (For more information on ABS, see "Braking" in the "OPERATING YOUR VEHICLE" section.)

NOTE:

If the ABS system is activated, you may hear a clunking noise and/or feel pulsating in the brake pedal. This is normal and indicates that the brake fluid pressure is being controlled properly.

⚠ WARNING

- The ESP[®] may not work properly if tires or wheels other than those specified in the Owner's Manual are used. When replacing tires or wheels, use only the size and type specified in this Owner's Manual.
- The ESP[®] may not work properly if tires are not inflated to the recommended tire inflation pressure.
- The ESP[®] may not work properly if tires are fitted with tire chains.
- The ESP[®] may not work properly if the tires are excessively worn. Be sure to replace tires when the tread wear indicators in the grooves appear on the tread surface.
- The ESP[®] is not a substitute for winter tires or tire chains on a snow covered road.

⚠ WARNING

- The ESP[®] may not work properly if engine related parts such as the muffler are not equivalent to standard equipment or are extremely deteriorated.
- Do not modify the vehicle's suspension since the ESP[®] may not operate correctly.

The ESP[®] indicator lights are described below:

ESP[®] Warning Light

52KM133

The ESP[®] warning light in the instrument cluster comes on if there is a problem in the electronic control system of the ESP[®] when you press the engine switch to change the ignition mode to "ON". This indicator light also blinks at a rate of 5 times per second when one of the ESP[®] systems other than the ABS is activated.

CAUTION

If the ESP[®] warning light comes on and stays on while driving, there may be a malfunction of the ESP[®] systems (other than ABS). You should have the systems inspected by an authorized SUZUKI dealer.

NOTE:

When the ESP[®] warning light comes on and stays on while driving, indicating a malfunction of the ESP[®] systems (other than ABS), the brake system will function

as an ordinary ABS with no additional ESP[®] functions.

OPERATING YOUR VEHICLE

“ESP® OFF” Indicator Light

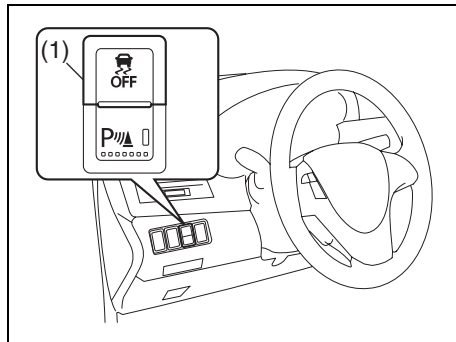


57L30045

You should turn the ESP® on during your ordinary driving, so that you have the benefits of all of the ESP® systems.

It may be required to turn the ESP® systems (other than ABS) off if your vehicle is stuck in sand, mud, or snow, where wheel spin is necessary.

“ESP® OFF” switch



57L31022

When the “ESP® OFF” switch (1) located at the center console is pushed and held to turn off the ESP® systems (other than ABS), the “ESP® OFF” indicator light in the instrument cluster comes on.

When you have turned the ESP® systems (other than ABS) off, make sure to turn them back on before resuming ordinary driving.

When you push the “ESP® OFF” switch again, the “ESP® OFF” indicator light will go out and all of the ESP® systems will be activated.



57L31024

If the message shown in the above illustration appears on the information display, there may be a problem with the ESP® system. Have your vehicle inspected by an authorized SUZUKI dealer.

NOTE:

The ESP® system will not activate while this message is displayed.

ABS Warning Light / Brake System Warning Light

See “Braking” in the “OPERATING YOUR VEHICLE” section.

Hill Hold Control System (if equipped)

The hill hold control system is designed to assist you in starting to move up steep or slippery hills. When you start to move up a hill, the system helps to prevent the vehicle from rolling downward while you move your foot from the brake pedal to the accelerator pedal.

⚠ WARNING

- **Do not rely excessively on the hill hold control system. The hill hold control system may not prevent the vehicle from rolling downward on a hill under all load or road conditions. Always be prepared to depress the brake pedal to prevent the vehicle from rolling downward. Failure to pay attention and depress the brake pedal to hold the vehicle on a hill when necessary, may result in loss of control or an accident.**
- **Do not use the hill hold control system to bring the vehicle to a stop on a hill.**

The hill hold control system activates for a maximum of about 2 seconds if your foot is moved from the brake pedal when the following condition are all met.

- 1) The gearshift lever is in a forward gear or reverse gear.
- 2) The parking brake is released.

- 3) The vehicle is on an upward incline.

NOTE:

You may hear a sound coming from the engine when the hill hold control system is activated. This sound is normal and does not indicate a malfunction.



57L31023

If the message shown in the above illustration appears on the information display, there may be a problem with the hill hold control system. Have your vehicle inspected by an authorized SUZUKI dealer.

NOTE:

The hill hold control system will not activate while this message is displayed.

Tire Pressure Monitoring System (TPMS) (if equipped)

The tire pressure monitoring system is designed to alert you when one or more of the tires on your vehicle is significantly under-inflated. A Tire Pressure Monitoring System (TPMS) sensor containing a unique identification code is mounted on each wheel. The TPMS sensors transmit tire pressure signals to receiver which relays the information to a tire pressure monitoring system controller. When the inflation pressure of one or more tires indicates significant under-inflation, the low tire pressure warning light shown below comes on.

OPERATING YOUR VEHICLE

Low Tire Pressure Warning Light



52D305

⚠ WARNING

Each tire, including the spare (if provided), should be checked monthly when cold and inflated to the inflation pressure recommended by the vehicle manufacturer on the vehicle placard or tire inflation pressure label. (If your vehicle has tires of a different size than the size indicated on the vehicle placard or tire inflation pressure label, you should determine the proper tire inflation pressure for those tires.)

As an added safety feature, your vehicle has been equipped with a tire pressure monitoring system (TPMS) that illuminates a low tire pressure telltale when one or more of your tires is significantly under-inflated. Accordingly, when the low tire pressure telltale illuminates, you should stop and check your tires as soon as possible, and inflate them to the proper pressure.

(Continued)

⚠ WARNING

(Continued)

Driving on a significantly under-inflated tire causes the tire to over-heat and can lead to tire failure. Under-inflation also reduces fuel efficiency and tire tread life, and may affect the vehicle's handling and stopping ability.

Please note that the TPMS is not a substitute for proper tire maintenance, and it is the driver's responsibility to maintain correct tire pressure, even if under-inflation has not reached the level to trigger illumination of the TPMS low tire pressure telltale.

⚠ WARNING

The tire pressure monitoring system is not a substitute for regular tire pressure inspections. Check tire inflation pressures monthly when cold and set to the recommended inflation pressure as specified on the vehicle's tire information placard and in the owner's manual. Refer to "Tires" in the "INSPECTION AND MAINTENANCE" section.

⚠ WARNING

If the low tire pressure warning light does not come on when you press the engine switch to change the ignition mode to "ON", or comes on and blinks while driving there may be a problem with the tire pressure monitoring system. Have your vehicle inspected by an authorized SUZUKI dealer. Even if the light turns off after blinking, indicating that the monitoring system has recovered, make sure to have an authorized SUZUKI dealer check the system.

⚠ WARNING

The load rating of your tires is reduced at lower inflation pressures. If your tires become even moderately under-inflated, the vehicle load may exceed the load rating of the tires, which can lead to tire failure. The low tire pressure warning light will not alert you of this condition. The warning light will only come on when one or more of your tires become significantly under-inflated. Check and adjust your tire inflation pressure at least once a month. Refer to "Tires" in the "INSPECTION AND MAINTENANCE" section.

▲ WARNING

If the low tire pressure warning light comes on and stays on, reduce your speed and avoid abrupt steering and braking. Stop in a safe place as soon as possible and check your tires.

- If you have a flat tire, replace it with the spare tire. Refer to “Jacking Instructions” in the “EMERGENCY SERVICE” section. Refer to “Replacing Tires and/or Wheels” for instructions on how to restore normal operation of the tire pressure monitoring system after you have had a flat tire.
- If one or more of your tires is under-inflated adjust the inflation pressure in all of your tires to the recommended inflation pressure as soon as possible.

Be aware that driving on a significantly under-inflated tire can cause the tire to overheat and can lead to tire failure, and may affect steering control and brake effectiveness. This could lead to an accident, resulting in severe injury or death.

The low tire pressure warning light can come on due to normal causes such as natural air leaks and pressure changes caused by changes in temperature or atmospheric pressure. Adjusting the air pressure in the tires to the pressure shown on the tire information placard should cause the low tire pressure warning light to turn off.

If the light turns on again shortly after adjusting the pressure in your tires, you may have a flat tire. If you have a flat tire, replace it with the spare tire. Refer to “Jacking Instructions” in the “EMERGENCY SERVICE” section. Refer to “Replacing Tires and/or Wheels” for instructions on how to restore normal operation of the tire pressure monitoring system after you have had a flat tire.



57L31025

NOTE:

- The information display shows the above warning and indicator message when this light comes on.
- When the tire inflation pressure is adjusted in high altitude areas, the low tire pressure light may not turn off even after tire inflation pressure adjustment. In this case, adjust the inflation pressure to a slightly higher pressure than is shown on the tire information placard.
- The low tire pressure warning light may turn off temporarily after coming on. This could be due to surface temperature increases after long distance driving or traveling to a high temperature area. Even if the tire pressure warning light turns off after coming on, make sure to check the inflation pressure of all tires.
- To reduce the chance that the low tire pressure warning light will come on due to normal changes in temperature and atmospheric pressure, it is important to check and adjust the tire pressures when the tires are cold. Tires that appear to be at the specified pressure when checked after driving, when the tires are warm, could have pressure below the specification when the tires cool down. Also, tires that are inflated to the specified pressure in a warm garage may have pressure below the specification when the vehicle is driven outside in very cold temperature. If you adjust the tire pressure in a garage that is warmer than the outside temperature, you

OPERATING YOUR VEHICLE

should add 1 psi to the recommended cold tire inflation pressure for every 10°F difference between garage temperature and outside temperature.

For tire inflation pressure information, refer to "Tire Inflation Pressure" in the "INSPECTION AND MAINTENANCE" section.

To make the low tire pressure warning light turn off, the vehicle must be driven for longer and faster than the specified thresholds after adjusting the tire pressure. Please ask an authorized SUZUKI dealer for details.

TPMS Malfunction Indicator

WARNING

Your vehicle has also been equipped with a TPMS malfunction indicator to indicate when the system is not operating properly.

WARNING

The TPMS malfunction indicator is combined with the low tire pressure telltale. When the system detects a malfunction, the telltale will flash for approximately one minute and then remain continuously illuminated. This sequence will continue upon subsequent vehicle start-ups as long as the malfunction exists.

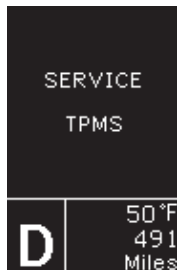
The TPMS malfunction indicator is not reset even after the engine is turned off; it remains in the on state until the normal conditions are restored.

WARNING

When the malfunction indicator is illuminated, the system may not be able to detect or signal low tire pressure as intended. TPMS malfunctions may occur for a variety of reasons, including the installation of replacement or alternate tires or wheels on the vehicle that prevent the TPMS from functioning properly. Always check the TPMS malfunction telltale after replacing one or more tires or wheels on your vehicle to ensure that the replacement or alternate tires and wheels allow the TPMS to continue to function properly.

CAUTION

- The tire pressure sensors can be damaged by the installation or removal of tires. When tires must be repaired or replaced, we highly recommend that you have them repaired or replaced by an authorized SUZUKI dealer.
- Do not use liquid sealants for a flat tire as air pressure sensors can be damaged.
- If the low tire pressure warning light comes on frequently, there may be something wrong with one of the tires or with the monitoring system. Have your vehicle inspected by an authorized SUZUKI dealer.



57L31026

NOTE:

The information display shows the above warning and indicator message when this light comes on.

TPMS Limitations

The tire pressure monitoring system may not function properly under certain circumstances. In the following situations, the low tire pressure warning light may come on and remain on or may blink.

- When you replace a flat tire with the spare tire.
- When you include the spare tire during a tire rotation.
- When the TPMS sensor is damaged during a tire replacement or liquid sealants are used to repair a flat tire.
- When the TPMS sensor's electronic signal is disturbed in one of the following ways:
 - Electric devices or facilities using similar radio wave frequencies are nearby.
 - A lot of snow or ice covers the vehicle, in particular, around the wheels or wheel housings.
 - Snow tires or tire chains are used.
- When you use non-genuine SUZUKI wheels or tires.
- When the pressure of any tire is too high.
- When there is a problem with the receiver of the keyless entry/start remote controller.

Replacing Tires and/or Wheels

If you get a flat tire, Suzuki recommends that you have an authorized SUZUKI dealer mount a new tire on the wheel that had the flat tire, and reinstall this tire on the vehicle in place of the spare. The TPMS is already set up to recognize the ID code of the original wheel, and normal TPMS operation will be restored.



57L31027

NOTE:

The above message will be indicated on the information display if the ID code is not registered.

If you need to replace original wheels on your vehicle, your dealer must make sure that TPMS sensors are installed in the new wheels and must set up the TPMS to recognize the new sensors.

OPERATING YOUR VEHICLE

NOTE:

A TPMS sensor is not installed in the spare tire. You should use the spare tire only in an emergency situation, and should replace the spare tire as soon as possible to restore normal TPMS operation.

⚠ WARNING

Only use tires and wheels recommended by SUZUKI as standard or optional equipment for your vehicle. Use of tires or wheels not recommended by SUZUKI can result in TPMS failure. Refer to “Tires” in the “INSPECTION AND MAINTENANCE” section for additional information.

For Vehicles Sold in U.S.A.

This device complies with Part 15 of the FCC Rules.

Operation is subject to the following two conditions:

- 1) This device may not cause harmful interference.
- 2) This device must accept any interference received, including interference that may cause undesired operation.

NOTE:

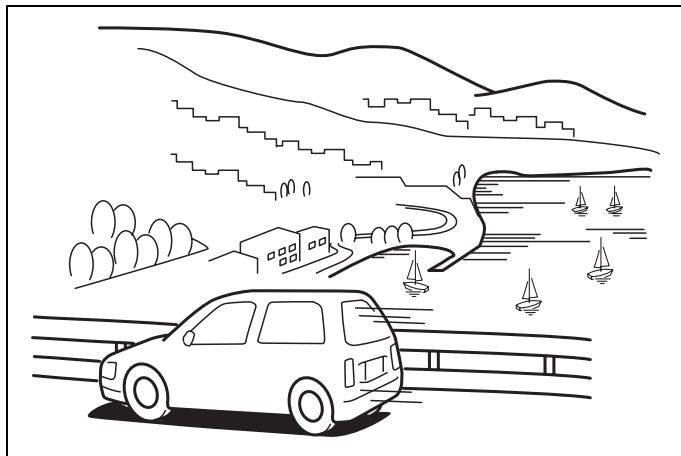
Changes or modifications not expressly approved by the party responsible for compliance could void the user's authority to operate the equipment.

Traveling to CANADA

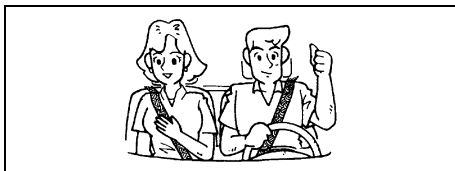
Please note that service for the tire pressure monitoring system may not be available in CANADA should there be any problems or malfunctions in the system.

DRIVING TIPS

Break-In	4-1
Catalytic Converter	4-1
Improving Fuel Economy	4-2
Highway Driving	4-3
Driving on Hills	4-3
Driving on Slippery Roads	4-4



60G409



52D078S

▲ WARNING

- **Wear Your Seat Belts at All Times.** Even though air bags are equipped at the front seating positions, the driver and all passengers should be properly restrained at all times, using the seat belts provided. Refer to the “Seat Belts and Child Restraint Systems” section for instructions on proper use of the seat belts.
- **Never drive while under the influence of alcohol or other drugs.** Alcohol and drugs can seriously impair your ability to drive safely, greatly increasing the risk of injury to yourself and others. You should also avoid driving when you are tired, sick, irritated or under stress.

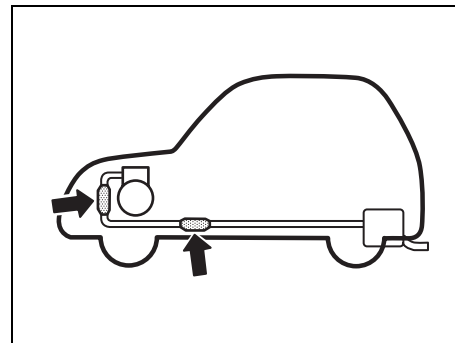
Break-In

CAUTION

The future performance and reliability of the engine depends on the care and restraint exercised during its early life. It is especially important to observe the following precautions during the initial 960 km (600 miles) of vehicle operation.

- After starting, do not race the engine. Warm it up gradually.
- Avoid prolonged vehicle operation at a constant speed. Moving parts will break in better if you vary your speed.
- Start off from a stop slowly. Avoid full throttle starts.
- Avoid hard stopping, especially during the first 320 km (200 miles) of driving.
- Do not drive slowly with the transaxle in a high gear.
- Drive the vehicle at moderate engine speeds.

Catalytic Converter



68KM085

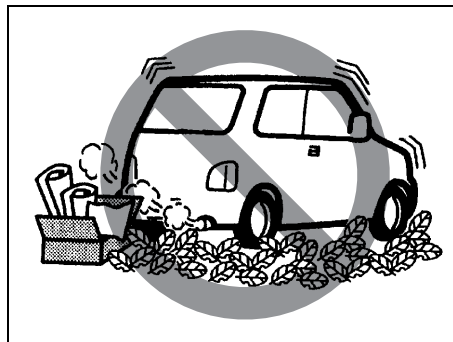
The purpose of the catalytic converter is to minimize the amount of harmful pollutants in your vehicle's exhaust. Use of leaded fuel in vehicles equipped with catalytic converters is prohibited by federal law, because lead deactivates the pollutant-reducing components of the catalyst system.

The converter is designed to last the life of the vehicle under normal usage and when unleaded fuel is used. No special maintenance is required on the converter. However, it is very important to keep the engine properly tuned. Engine misfiring, which can result from an improperly tuned engine, may cause overheating of the catalyst. This may result in permanent heat damage to the catalyst and other vehicle components.

CAUTION

To minimize the possibility of catalyst or other vehicle damage:

- Maintain the engine in the proper operating condition.
- In the event of an engine malfunction, particularly one involving engine misfire or other apparent loss of performance, have the vehicle serviced promptly.
- Do not shut off the engine or interrupt the ignition when the transaxle is in gear and the vehicle is in motion.
- Do not try to start the engine by pushing or towing the vehicle or coasting down a hill.
- Do not idle the engine with any spark plug wires disconnected or removed, such as during diagnostic testing.
- Do not idle the vehicle for prolonged periods if idling seems rough or there are other malfunctions.
- Do not allow the fuel tank to get near the empty level.



54G584S

⚠ WARNING

Be careful where you park and drive; the catalytic converter and other exhaust components can get very hot. As with any vehicle, do not park or operate this vehicle in areas where combustible materials such as dry grass or leaves can come in contact with a hot exhaust system.

Improving Fuel Economy

The following instructions will help you improve fuel economy.

Avoid excessive idling

If you are to wait for more than a minute while you are parked, stop the engine and start it again later. When warming up a cold engine, allow the engine to idle until the temperature gauge pointer comes up to the "C" position. In this position, the engine is sufficiently warm for starting off.

Avoid "jackrabbit" starts

Fast starts away from lights or stop signs will consume fuel unnecessarily and shorten engine life. Start off slowly.

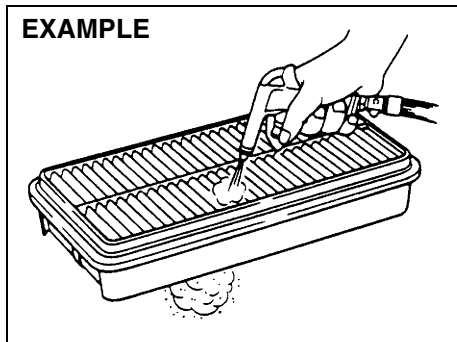
Avoid unnecessary stops

Avoid unnecessary deceleration and stopping. Try to maintain a slow, steady speed whenever possible. Slowing down and then accelerating again uses more fuel.

Keep a steady cruising speed

Keep as constant a speed as road and traffic conditions will permit.

EXAMPLE



60A183S

Keep the air cleaner clean

If the air cleaner is clogged with dust, there will be greater intake resistance, resulting in decreased power output and increased fuel consumption.

Keep weight to a minimum

The heavier the load, the more fuel the vehicle consumes. Take out any luggage or cargo when it is not necessary.

Keep tire pressure correct

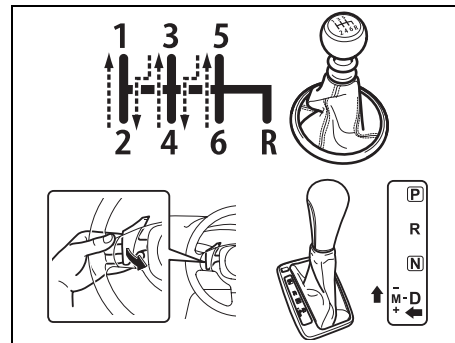
Underinflation of the tires can waste fuel due to increased running resistance of the tires. Keep your tires inflated to the correct pressure shown on the label located below the driver's side door latch striker.

Highway Driving

When driving at highway speeds, pay attention to the following:

- Stopping distance progressively increases with vehicle speed. Apply the brakes far enough ahead of the stopping point to allow for the extra stopping distance.
- On rainy days, "Hydroplaning" can occur. "Hydroplaning" is the loss of direct contact between the road surface and the vehicle's tires due to a water film forming between them. Steering or braking the vehicle while "Hydroplaning" can be very difficult, and loss of control can occur. Keep speed down when the road surface is wet.
- At high speeds, the vehicle may be affected by side winds. Therefore, reduce speed and be prepared for unexpected buffeting, which can occur at the exits of tunnels, when passing by a cut of a hill, or when being overtaken by large vehicles, etc.

Driving on Hills



57L41001

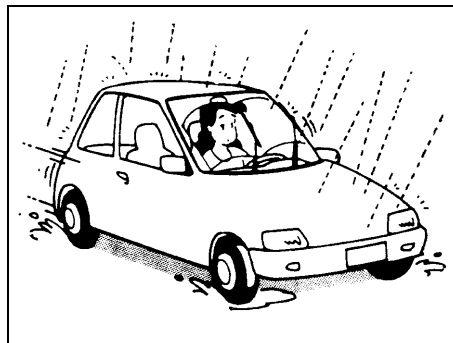
- When climbing steep hills, the car may begin to slow down and show a lack of power. If this happens, you should shift to a lower gear so that the engine will again be operating in its normal power range. Shift rapidly to prevent the car from losing momentum.
- When driving down a hill, the engine should be used for braking by shifting to next lower gear. (Do this with EITHER a CVT or manual transaxle.)

⚠ WARNING

Try not to hold the brake pedal down too long or too often while going down a steep or long hill. This could cause the brakes to overheat, resulting in reduced braking efficiency. Failure to take this precaution could result in loss of vehicle control.

CAUTION

When descending a down hill, **NEVER** press the engine switch to change the ignition mode to “LOCK” (OFF). Emission control system and CVT (if equipped) damage may result.

Driving on Slippery Roads

60G089S

Under wet road conditions you should drive at a lower speed than on dry roads due to possible slippage of tires during braking. When driving on icy, snow-covered, or muddy roads, reduce your speed and avoid sudden acceleration, abrupt braking, or sharp steering movements.

Intelligent All Wheel Drive (i-AWD) Models

Your i-AWD provides greater traction on slippery roads than 2-wheel drive models. However, your i-AWD will not have as much traction in deep snow, mud or sand as multipurpose 4WD vehicles. You should not attempt to drive your i-AWD in deep snow, mud or sand. i-AWD models are not sport/utility vehicles, and are not designed for off-road use.

If Your Vehicle Gets Stuck

If your vehicle gets stuck in snow, mud or sand, follow the directions below:

- 1) Shift the transaxle back and forth between a forward range (or first gear for manual transaxle) and reverse. This will create a rocking motion which may give you enough momentum to free the vehicle. Press gently on the accelerator to keep wheel spinning to a minimum wheel rpm. Remove your foot from the accelerator while shifting. Do not race the engine. Excessive wheel spin will cause the tires to dig deeper, making it more difficult to free the vehicle.
- 2) If your vehicle remains stuck after a few minutes of rocking, get another vehicle to pull your vehicle out.

⚠ WARNING

Do not allow anyone to stand near the vehicle when you are rocking it, and do not spin the wheels faster than an indicated 40 km/h (25 mph) on the speedometer. Personal injury and/or vehicle damage may result from spinning the wheels too fast.

CAUTION

Release the accelerator pedal when operating the gearshift lever. Operating the lever with the engine racing can damage the gears.

CAUTION

Do not continue rocking the vehicle for more than a few minutes. Prolonged rocking can cause engine overheating, transaxle or transfer case damage or tire damage.

Tire Chains

Tire chains should only be used if they are needed to increase traction or are required by law. Make sure that the chains you use are small-link chains or cable-type chains and are the correct size for your vehicle's tires. Also make sure that there is enough clearance between the fenders and the chains as installed on the tires.

Install the chains on the front tires tightly, according to the chain manufacturer's instructions. Retighten the chains after driving about 1.0 km (1/2 mile) if necessary. With the chains installed, drive slowly.

CAUTION

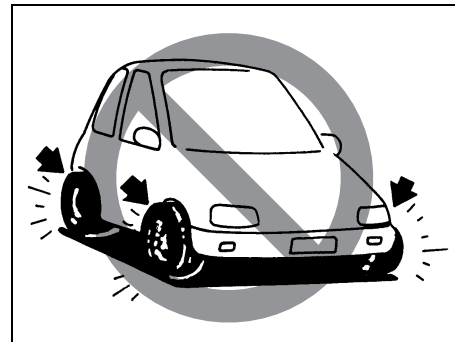
If you hear the chains hitting against the vehicle body while driving, stop and tighten them.

If your vehicle is equipped with full wheel caps, remove the wheel caps before installing the chains or the wheel caps can be damaged by the chain bands.

Do not drive through deep or rushing water

Driving in deep or rushing water can be hazardous. You could lose control of the vehicle and the occupants could drown. Also, your vehicle could be seriously damaged. To avoid these risks, observe the following instructions and precautions.

- Do not drive through deep or rushing water. Deep or rushing water, such as fast-moving streams or floodwaters, could carry your vehicle away from your intended path. The water is too deep if it covers your wheel hubs, axles or exhaust tailpipe. Know the depth of the water before you attempt to drive through it.
- If water blocks the tailpipe, the engine may not start or run. If the water is deep enough to get drawn into the engine intake system, the engine will be badly damaged.
- Submerged brakes will have poor braking performance. Drive slowly and carefully. Driving slowly will also help avoid water splashing onto the ignition system, which could cause the engine to stall.
- Even when driving through shallow or still waters, drive carefully since the water may be hiding ground hazards such as holes, ditches or bumps.



54G638S

⚠ WARNING

In addition to following the driving tips in this section, it is important to observe the following precautions.

- Make sure your tires are in good condition and always maintain the specified tire pressure. Refer to “Tires” in the “INSPECTION AND MAINTENANCE” section for details.
- Do not use tires other than those specified by SUZUKI. Never use different sizes or types of tires on the front and rear wheels. For information regarding the specified tires, refer to the Tire Information Label located on the driver’s side door pillar.
- Never use oversized tires or special shocks and springs to raise (jack up) your vehicle. This will change its handling characteristics. Oversized tires may also rub against the fender over bumps, causing vehicle damage or tire failure.

(Continued)

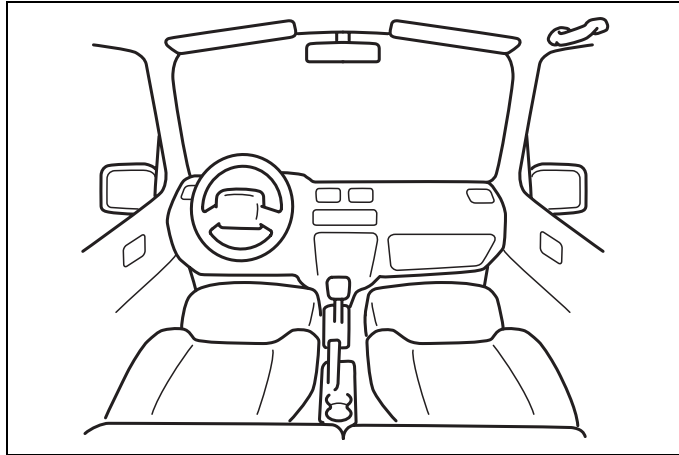
⚠ WARNING

(Continued)

- After driving through water, test the brakes while driving at a slow speed to see if they have maintained their normal effectiveness. If the brakes are less effective than normal, dry them by repeatedly applying the brakes while driving slowly until the brakes have regained their normal effectiveness.

MEMO

OTHER CONTROLS AND EQUIPMENT



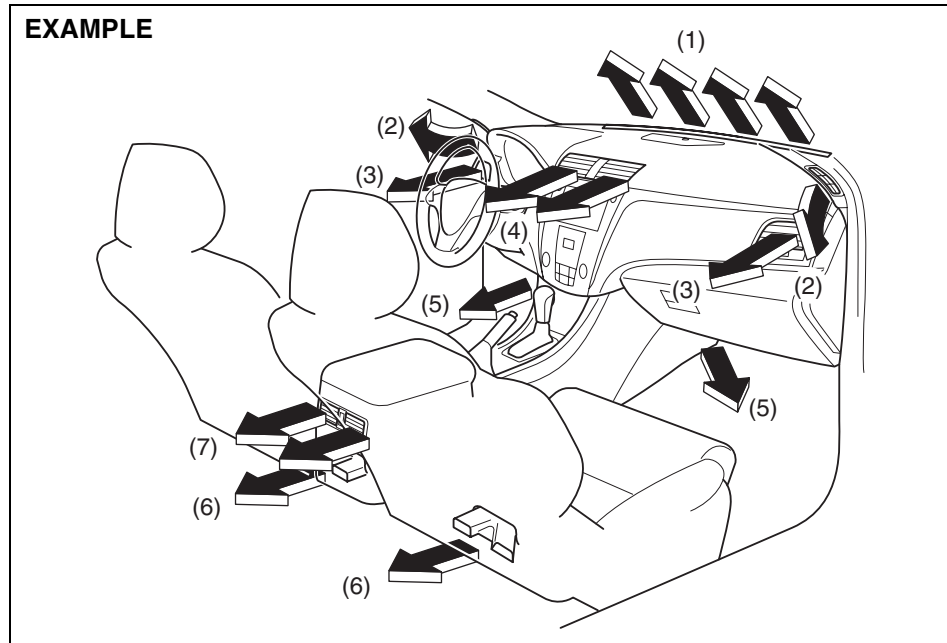
60G407

Automatic Heating and Air Conditioning System (Climate Control)	5-1
Radio Antenna	5-9
Audio Systems	5-10
Fuel Filler Door	5-73
Fuel Filler Cap	5-74
Engine Hood	5-75
Sun Visor	5-77
Interior Light Switch	5-78
Courtesy Lights	5-79
Footwell Lights	5-79
Trunk Light	5-79
Spot Light	5-80
Accessory Socket	5-80
Assist Grips	5-82
Coat Hooks	5-83
Sunroof (if equipped)	5-83
Glove Box	5-85
Overhead Console	5-86
Lidded Instrument Panel Box	5-87
Cup Holder and Storage Area (if equipped)	5-87
Front Seat Back Pocket (if equipped)	5-89
Footrest	5-89
Center Console Box	5-89
Armrest	5-90
Floor Mats (if equipped)	5-91
Luggage Under-box	5-92
Net/Rope Hooks	5-92
Roof Rack Anchors (if equipped)	5-92
HomeLink® (if equipped)	5-93
Frame Hooks	5-96

Automatic Heating and Air Conditioning System (Climate Control)

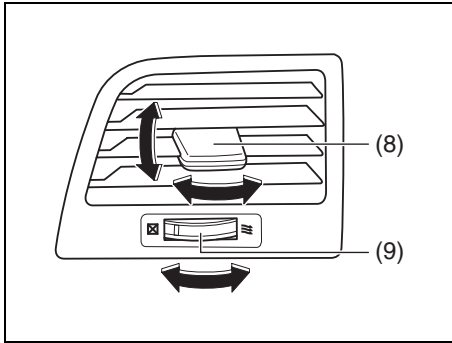
Air Outlet

- (1) Windshield defroster outlet
- (2) Side defroster outlet
- (3) Side outlet
- (4) Center outlet
- (5) Floor outlet
- (6) Rear floor outlet
- (7) Rear outlet



57L51001

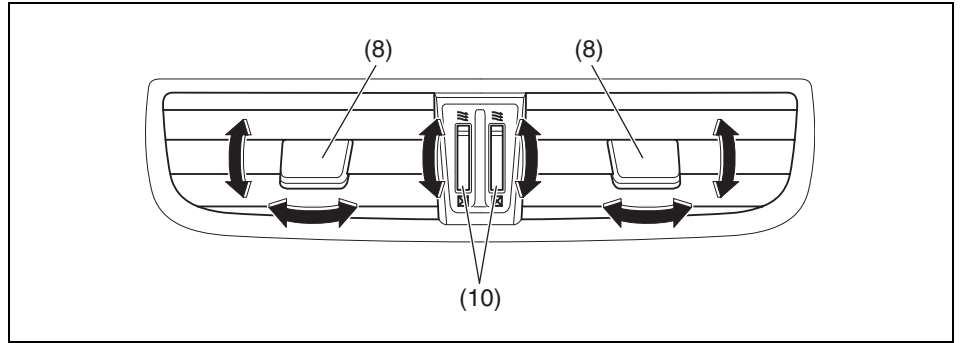
Side outlet



57L50002

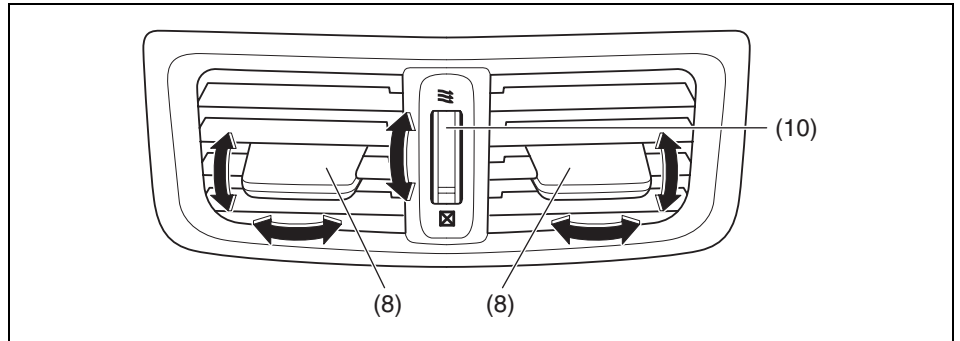
Move the knob (8) vertically or horizontally to adjust the direction of airflow as desired. The side outlet opens when you turn the dial (9) to the right and closes when you turn it to the left.

Center outlet



57L51060

Rear outlet

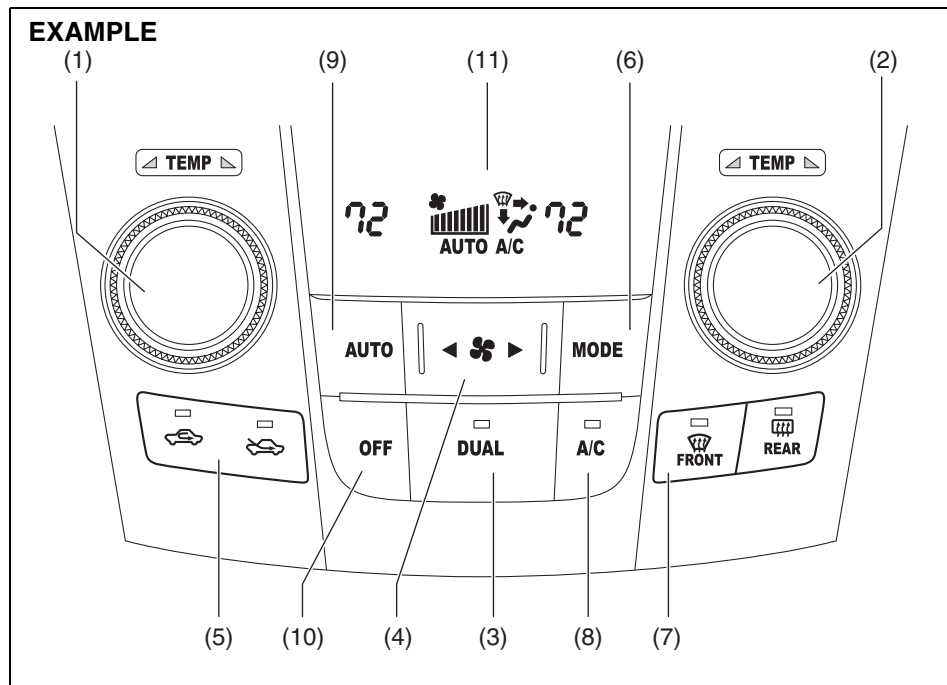


57L51059

Move the knob (8) vertically or horizontally to adjust the direction of airflow as desired. The center outlet/rear outlet opens when you turn the dial (10) upward and closes when you turn it downward.

OTHER CONTROLS AND EQUIPMENT

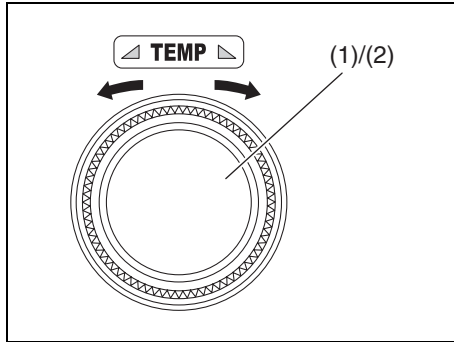
Description of Controls



- (1) Driver's temperature selector
- (2) Passenger's temperature selector
- (3) "DUAL" switch
- (4) Blower speed selector
- (5) Air intake selector
- (6) "MODE" switch
- (7) Defrost switch
- (8) Air conditioning switch
- (9) "AUTO" switch
- (10) "OFF" switch
- (11) Display

57L51002

Driver's temperature selector (1)/Passenger's temperature selector (2)



57L51003

Turn the temperature selector (1)/(2) to adjust the temperature. The display (11) shows the selected temperature.

NOTE:

If you turn the temperature selector (1) until "HI" or "LO" appears on the display, the climate control system will operate at the maximum heating or cooling and the blower will run at full speed. The temperature of the air from the outlets may change suddenly while "LO" or "HI" is displayed, but this is normal.

"DUAL" switch (3)

Every time you press the "DUAL" switch (3), the temperature control mode switches between the following:

Individual control mode (indicator ON):

The driver and passenger can make temperature adjustments independently from their own temperature selectors.

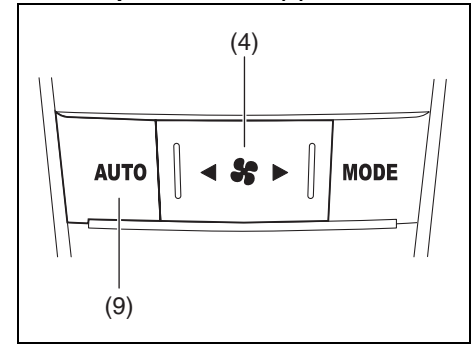
Combined control mode (indicator OFF):

If a temperature adjustment is made from the driver's temperature selector (1), the same adjustment is made automatically on the passenger side.

NOTE:

If the passenger's temperature selector (2) is turned while in the combined control mode, the individual control mode is automatically set.

Blower speed selector (4)



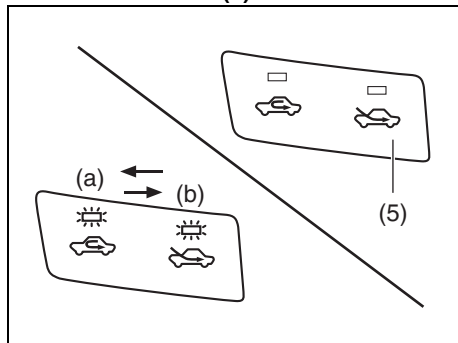
57L51004

Air flows out at a higher rate when you press the right switch and at a lower rate when you press the left switch.

If the "AUTO" switch (9) is pushed, the blower speed will vary automatically as the climate control system maintains the selected temperature.

OTHER CONTROLS AND EQUIPMENT

Air intake selector (5)



57L51005

Push the air intake selector (5) to change between the following modes.

If the "AUTO" switch (9) is pushed, the air intake will vary automatically as the climate control system maintains the selected temperature.

RECIRCULATED AIR (a)

When this mode is selected, outside air is shut off and inside air is recirculated. This mode is suitable when driving through an area with polluted air such as a tunnel, or when attempting to quickly cool down the vehicle.

FRESH AIR (b)

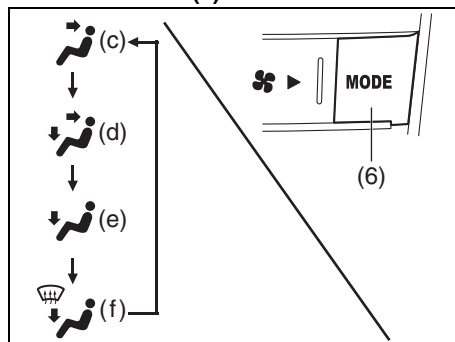
When this mode is selected, outside air is introduced.

"FRESH AIR" and "RECIRCULATED AIR" are selected alternately each time the air intake selector is pushed.

NOTE:

If you select "RECIRCULATED AIR" for an extended period of time, the air in the vehicle can become contaminated. Therefore, you should occasionally select "FRESH AIR".

"MODE" switch (6)

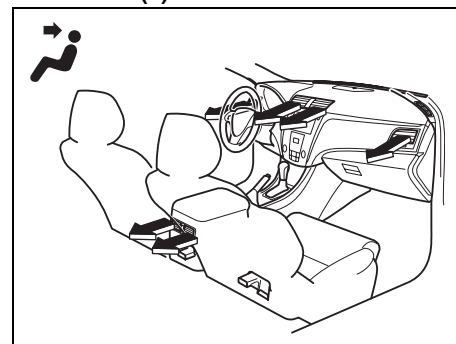


57L51006

Push the "MODE" switch (6) to change among the following functions. The indication of the selected mode appears on the display.

If the "AUTO" switch (9) is pushed, the air flow will vary automatically as the climate control system maintains the selected temperature.

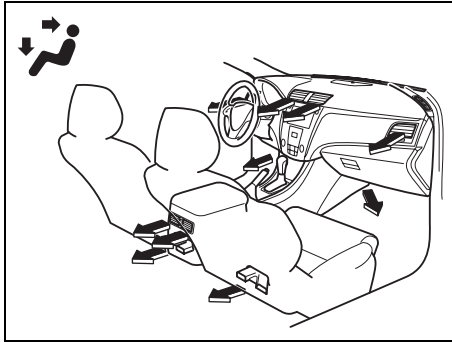
Ventilation (c)



57L51007

Temperature-controlled air comes out of the center, side and rear outlets.

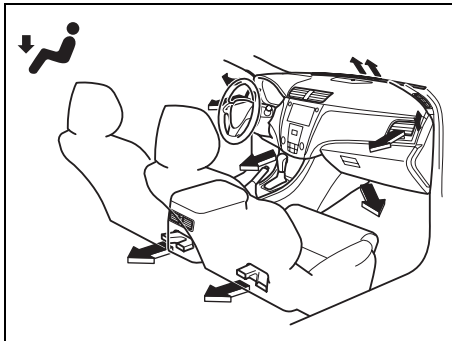
Bi-level (d)



57L51008

Temperature-controlled air comes out of the floor, center, side, rear and rear floor outlets.

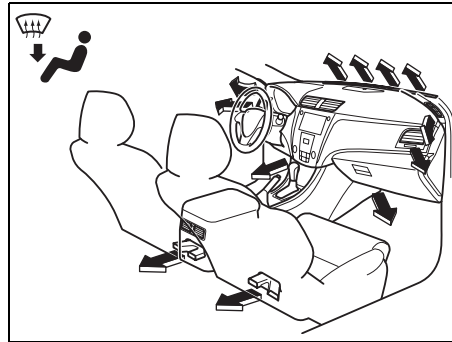
Heat (e)



57L51009

Temperature-controlled air comes out of the floor, rear floor and the side outlets, also comes out of the windshield defroster outlets and also comes slightly out of the side defroster outlets and the side outlets.

Heat & defrost (f)



57L51010

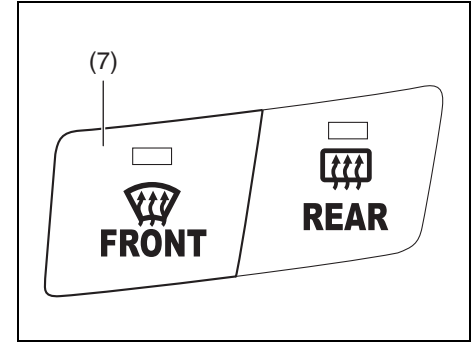
Temperature-controlled air comes out of the floor and rear floor outlets, the windshield defroster outlets, the side defroster outlets and the side outlets.

All areas other than Mexico

NOTE:

When you select the "Heat & defrost" function, the air intake mode will automatically switch to "FRESH AIR".

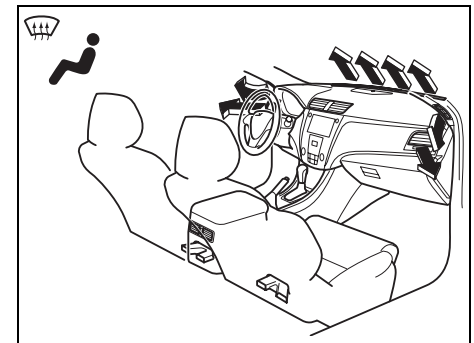
Defrost switch (7)



57L51011

Push the defrost switch (7) to turn on the defroster.

Defrost



57L51012

OTHER CONTROLS AND EQUIPMENT

Temperature-controlled air comes out of the windshield defroster outlets, the side defroster outlets and the side outlets.

1. All areas other than Mexico

NOTE:

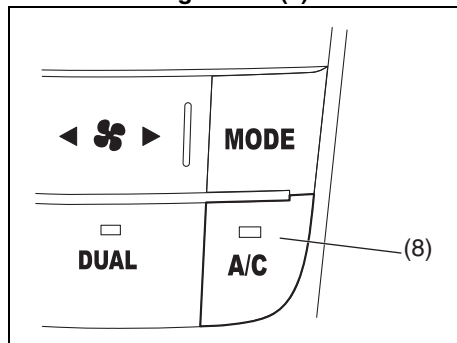
When you push the defrost switch (7), the "FRESH AIR" mode will be automatically selected and the air conditioning switch will automatically turn on ("A/C" will appear on the display). Furthermore, it is impossible to return to the "RECIRCULATED AIR" mode even if you push the air intake selector (5). In cold weather, air flows out of the defroster outlets but the air conditioning does not turn on even though the A/C indicator comes on as well as the defrost indicator.

2. Mexico

NOTE:

When you push the defrost switch (7), the "FRESH AIR" mode will be automatically selected and the air conditioning switch will automatically turn on ("A/C" will appear on the display). In cold weather, air flows out of the defroster outlets but the air conditioning does not turn on even though the A/C indicator comes on as well as the defrost indicator.

Air conditioning switch (8)

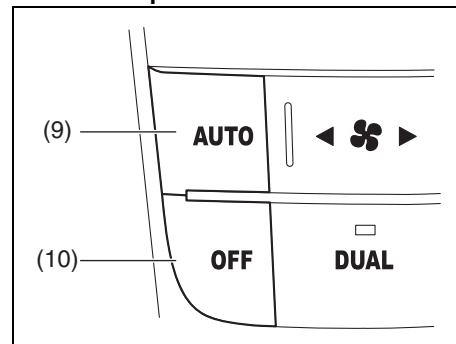


The air conditioning switch (8) is used to turn on and off the air conditioning system. To turn on the air conditioning system, push in the switch; "A/C" will appear on the display and the indicator on the switch will come on. To turn off the air conditioning system, push in the switch again; "A/C" and the indicator will go off.

You can use the air conditioning switch (8) to manually turn the air conditioner on or off according to your preference. When you turn the air conditioning switch off, the climate control system cannot lower the inside temperature below outside temperature.

System Operating Instructions

Automatic operation



You can let the climate control system work automatically. To set the system for fully-automatic operation, follow the procedure below.

- 1) Start the engine.
- 2) Push the "AUTO" switch (9).
- 3) Set the desired temperature by turning the driver's temperature selector (1).

The blower speed, air intake and air flow are controlled automatically to maintain the set temperature.

If the individual control mode is selected with the "DUAL" switch (3), the driver and passenger can make different temperature adjustments from their own temperature selectors. The individual control mode is also selected automatically when the passenger's temperature selector (2) is turned.

To turn the climate control system off, push the “OFF” switch (10).

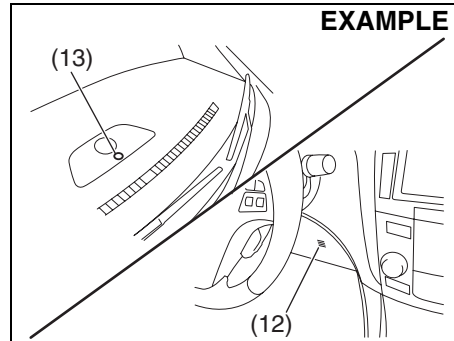
NOTE:

If the “AUTO” on the display blinks, there is a problem in the heating system and/or air conditioning system. You should have the system inspected by an authorized SUZUKI dealer.

NOTE:

- To find the temperature at which you are most comfortable, start with the 72°F (25°C) setting, for example.
- If you turn the temperature selector (1) until “HI” or “LO” appears on the display, the climate control system will operate at the maximum heating or cooling and the blower will run at full speed.
- To avoid blowing cold air in cold weather or hot air in hot weather, the system will delay turning on the blower until warmed or chilled air is available.
- If your vehicle has been left in the sun with the windows closed, it will cool faster if you open the windows briefly.

- Even under automatic operation, you can set individual selectors to the manual mode. The manually selected functions are maintained, and the other functions remain under automatic operation.
- To return the blower speed selector (4), air intake selector (5), and “MODE” switch (6) to automatic operation, push the “AUTO” switch (9).

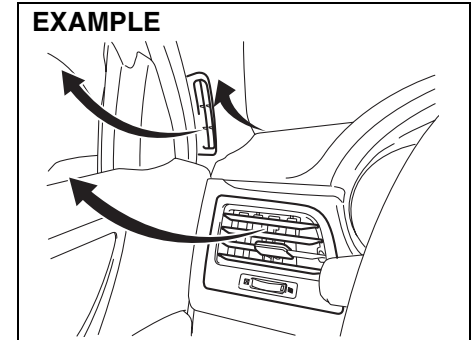


57L51014

Be careful not to cover the interior temperature sensor (12) located between the steering wheel and the climate control panel, or the solar sensor (13) located at the top of the central part of the dashboard. These sensors are used by the automatic system to regulate temperature.

Manual operation

You can manually control the climate control system. Set the selectors to the desired positions.



57L51015

NOTE:

If you need maximum defrosting:

- push the defrost switch (7) to turn on the defroster (the air conditioning system will come on and the “FRESH AIR” mode will be selected automatically),
- set the blower speed selector to HIGH,
- adjust the temperature selector to the “HI” indication on the display, and
- adjust the side outlets so the air blows on the side windows.

OTHER CONTROLS AND EQUIPMENT

Maintenance

If you do not use the air conditioner for a long period, such as during winter, it may not give the best performance when you start using it again. To help maintain optimum performance and durability of your air conditioner, it needs to be run periodically. Operate the air conditioner at least once a month for one minute with the engine idling. This circulates the refrigerant and oil and helps protect the internal components.

Your air conditioner is equipped with air filters. Clean or replace them as specified in the "Maintenance Schedule" in the "INSPECTION AND MAINTENANCE" section. Have this job done by your SUZUKI dealer as the lower glove box must be lowered for this job.

NOTE:

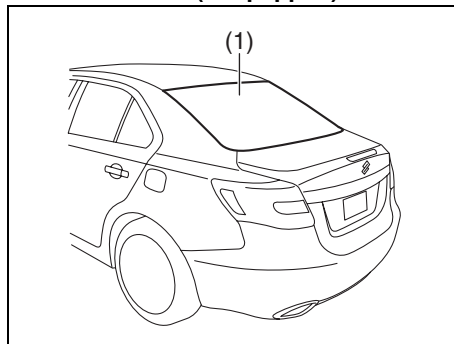
Your vehicle uses the air conditioning refrigerant HFC-134a, commonly called "R-134a". R-134a replaced R-12 around 1993 for automotive applications. Other refrigerants are available, including recycled R-12, but only R-134a should be used in your vehicle.

CAUTION

Using the wrong refrigerant may damage your air conditioning system. Use R-134a only. Do not mix or replace the R-134a with other refrigerants.

Radio Antenna

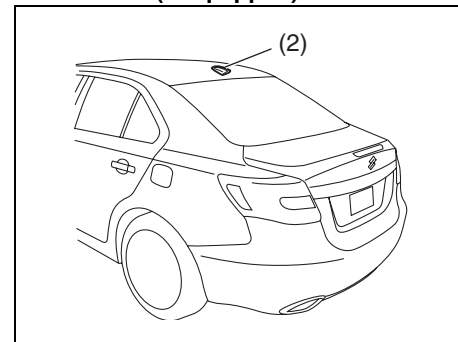
Printed antenna (if equipped)



57L51071

The radio antenna (1) wire is printed inside the rear window.

XM antenna (if equipped)



57L51053

The roof antenna (2) on the roof.

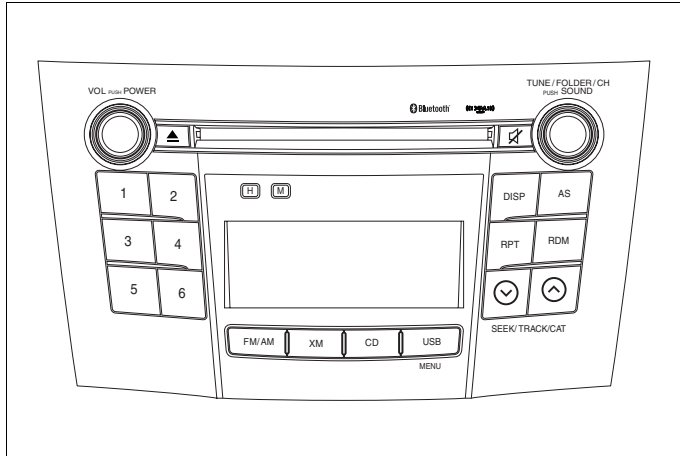
CAUTION

- Do not attach any metal objects to the rear window glass, or place metallic film near it. Either of these conditions may cause poor reception or noise.
- When cleaning the inside of the rear window, be careful not to scratch or damage the rear window antenna. Wipe the rear window lightly along the antenna with a dampened soft cloth.

Audio Systems

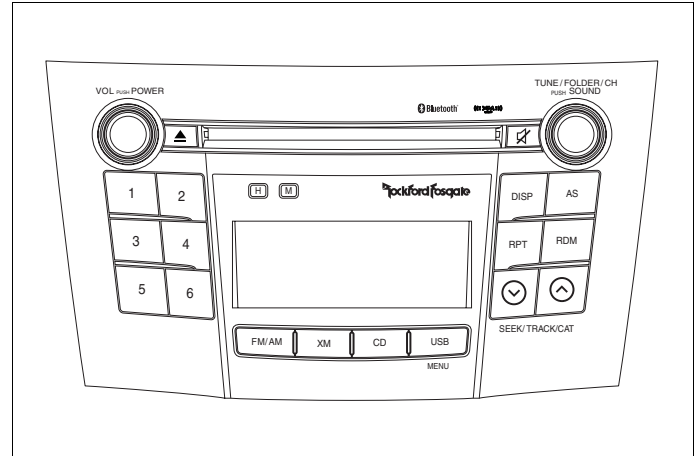
There are two types of audio system as shown below:

Type 1



AM/FM/XM CD PLAYER

Type 2



AM/FM/XM CD PLAYER WITH Rockford® Fosgate sound system

Safety Information

WARNING

- **The driver should neither watch the display nor operate the system while driving. Watching the display or operating the system will distract the driver from looking ahead of the vehicle and can cause accidents. Always stop the vehicle in a safe location and use the parking brake before watching the display or operating the system. It may cause trouble.**
- **Keep the sound volume at an appropriate level. Keep the volume level low enough to be aware of road and traffic conditions while driving.**

Notes on Discs

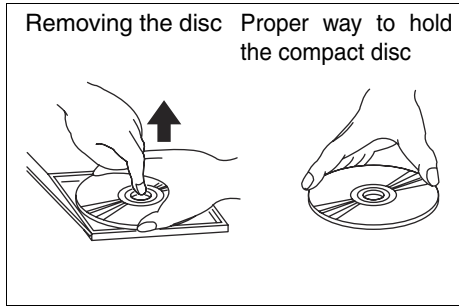
Precautions

- When the inside of the car is very cold and the player is used soon after switching on the heater, moisture may form on the disc or the optical parts of the player and proper playback may not be possible. If moisture forms on the disc, wipe it off with a soft cloth. If moisture forms on the optical parts of the player, do not use the player for about one hour, this will allow the condensation to disappear normally.
- Driving on extremely bumpy roads which cause severe vibrations may cause sound to skip.
- This unit uses a precision mechanism. Even in the event that trouble arises, never open the case, disassemble the unit, or lubricate the rotating parts. Please bring the unit to an authorized SUZUKI dealer.

Cautions on Handling



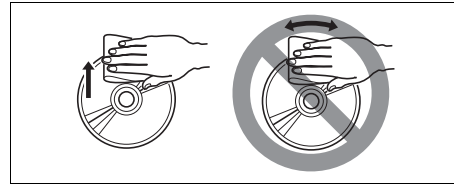
This unit has been designed specifically for playback of compact discs bearing the mark (A). No other discs can be played.



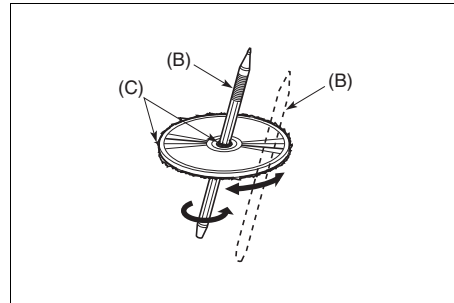
To remove the compact disc from its storage case, press down on the center of the case and lift the disc out, holding it carefully by the edges.

Always handle the compact disc by the edges.

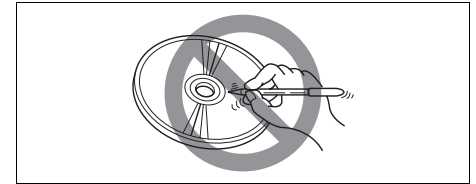
Never touch the surface.



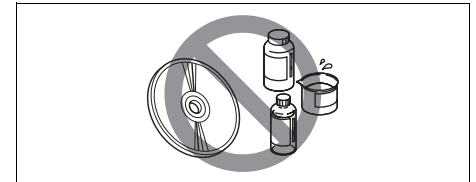
To remove fingermarks and dust, use a soft cloth, and wipe in a straight line from the center of the compact disc to the circumference.



New discs may have some roughness around the edges. The unit may not work or the sound may skip if such discs are used. Use a ball-point pen (B), etc. to remove the roughness (C) from edges of the disc before insertion inside the unit.

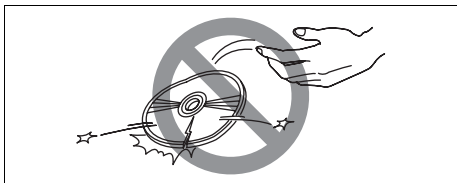


Never stick labels on the surface of the compact disc or mark the surface with a pencil or pen.

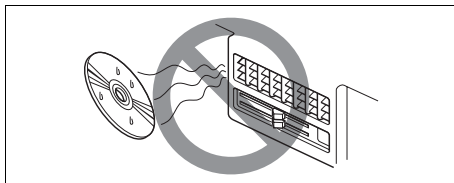


Do not use any solvents such as commercially available cleaners, anti-static spray, or thinner to clean compact discs.

OTHER CONTROLS AND EQUIPMENT



Do not use compact discs that have large scratches, are misshaped, or cracked, etc. Use of such discs will cause damage or prevent the system from operating properly.



Do not expose compact discs to direct sunlight or any heat source.

NOTE:

- Do not use commercially available CD protection sheets or discs equipped with stabilizers, etc.
- These may get caught in the internal mechanism and damage the disc.
- CD-R discs may not be able to playback in this unit due to the recording conditions.
- CD-RW discs can not playback in this unit.

Part 15 of the FCC Rules

FCC Warning:

Any unauthorized changes or modifications to this equipment would void the user's authority to operate this device.

⚠ WARNING

Laser product

This product is a class I laser product.

Use of controls or adjustments or performance of procedures other than those specified herein may result in hazardous radiation exposure.

Do not open covers and do not repair by yourself. Refer servicing to qualified personnel.



Bluetooth®: Bluetooth® is a registered trademark of Bluetooth SIG, Inc.

⚠ WARNING

Keep away from the medical devices.

This unit and mobile phones can interfere with the functioning of medical devices such as hearing aids or pacemakers.

Failure to observe this may arise the malfunction of medical devices resulting in personal injury or death.

⚠ WARNING

This equipment complies with FCC radiation exposure limits set forth for uncontrolled equipment and meets the FCC radio frequency (RF) Exposure Guidelines in Supplement C to OET 65. This equipment has very low levels of RF energy that it deemed to comply without maximum permissive exposure evaluation (MPE). But it is desirable that it should be installed and operated with at least 20cm and more between the radiator and person's body (excluding extremities: hands, wrists, feet and ankles).

Stop using this unit and a Bluetooth®-ready device whenever requested.

This unit shares the communication frequency with other private or public wireless communication equipment such as a wireless LAN and other wireless communication radios.

You should stop using this unit whenever you are notified that your unit disturbs other wireless communication immediately.

OTHER CONTROLS AND EQUIPMENT

FCC ID: ACJ932C5ZZZ035

IC ID: 216J - C5ZZZ038

MADE IN JAPAN

(This device complies with Part 15 of FCC Rules and RSS-Gen of IC Rules.) Operation is subject to the following two conditions: (1) this device may not cause interference, and (2) this device must accept any interference, including interference that may cause undesired operation of this device.

FCC Warning:

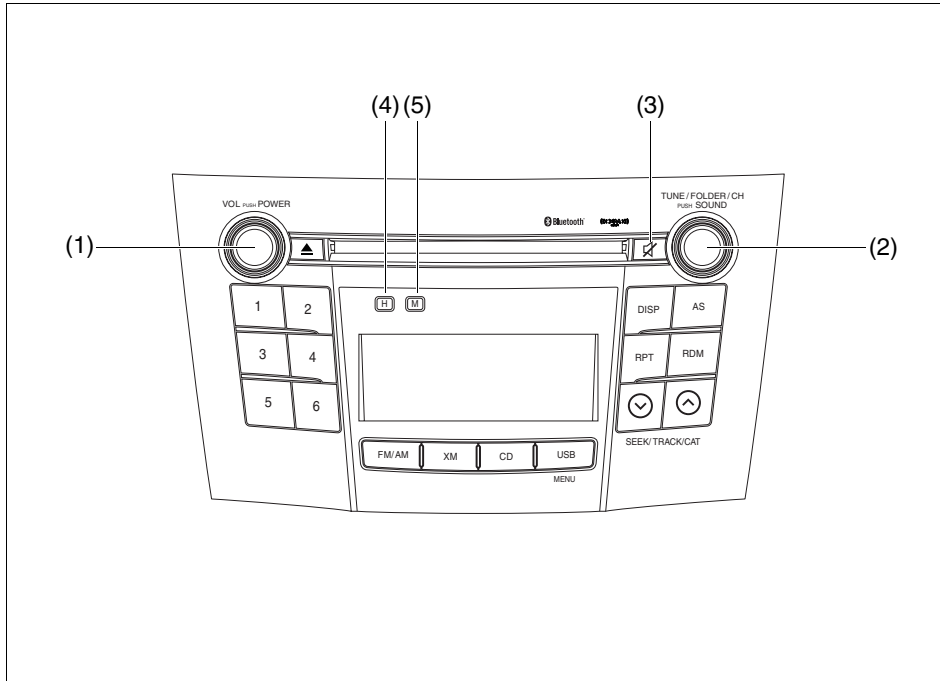
Changes or modifications not expressly approved by the party responsible for compliance could void the user's authority to operate the equipment.

NOTE:

This equipment generates, uses and can radiate radio frequency energy and, if not installed and used in accordance with the instructions, may cause harmful interference to radio communications. However, there is no guarantee that interference will not occur in a particular installation. If this equipment does cause harmful interference to radio or television reception, which can be determined by turning the equipment off and on, the user is encouraged to try to correct the interference by one or more of the following measures:

- *Reorient or relocate the receiving antenna*
- *Increase the separation between the equipment and receiver.*
- *Connect the equipment into an outlet on a circuit different from that to which the receiver is connected.*
- *Consult the dealer or an experienced radio/TV technician for help. This transmitter must not be co-located or operated in conjunction with any other antenna or transmitter.*

Basic Operations



- (1) VOL PUSH POWER knob
- (2) TUNE FOLDER PUSH SOUND knob
- (3) MUTE button
- (4) H button
- (5) M button

OTHER CONTROLS AND EQUIPMENT

Turning power on/off

Press the VOL PUSH POWER knob (1). The unit starts in the function mode it was in when the power was turned off last.

Adjusting the clock

- 1) Press and hold the H button (4) for 1 second or longer.
- 2) Press the H button (4) to adjust the hours. Press and hold H button (4) to successive change.
- 3) Press the M button (5).
- 4) Press the M button (5) to adjust the minutes. Press and hold M button (5) to successive change.

NOTE:

- If no operation takes place for more than 3 seconds, the displayed time is fixed.
- Pressing the H button (4) and M button (5) simultaneously allows users to set the clock on the hour. If "the minute" of the clock is between 31 and 59, "the hour" of the clock advances 1 hour.

Adjusting the volume

Turn the VOL PUSH POWER knob (1). Turning it clockwise increases the volume; turning it counterclockwise decreases the volume.

NOTE:

While driving, adjust the volume to an extent that sound and/or noise coming from outside the car can be heard.

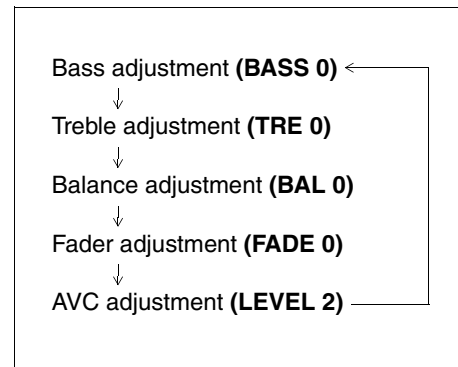
Mute

Press the MUTE button (3). Press the MUTE button (3) again, it returns to the original volume.

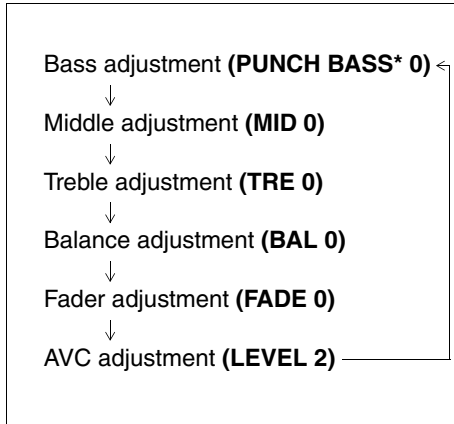
Adjusting bass/middle/treble/balance/fader

- 1) Press the TUNE FOLDER PUSH SOUND knob (2). Each time it is pressed, sound adjustment is changed as follows:

For standard specifications



For Rockford® specifications



* The PUNCH® Bass adjustment enables greater control of the Rockford Fosgate® sonic signature by increasing/decreasing the system's low-frequency and sub-woofer levels to tailor the dynamics of the sound system without the muddled bass and vocals typical of bass controls.

Adjusting the AVC (Auto volume control)

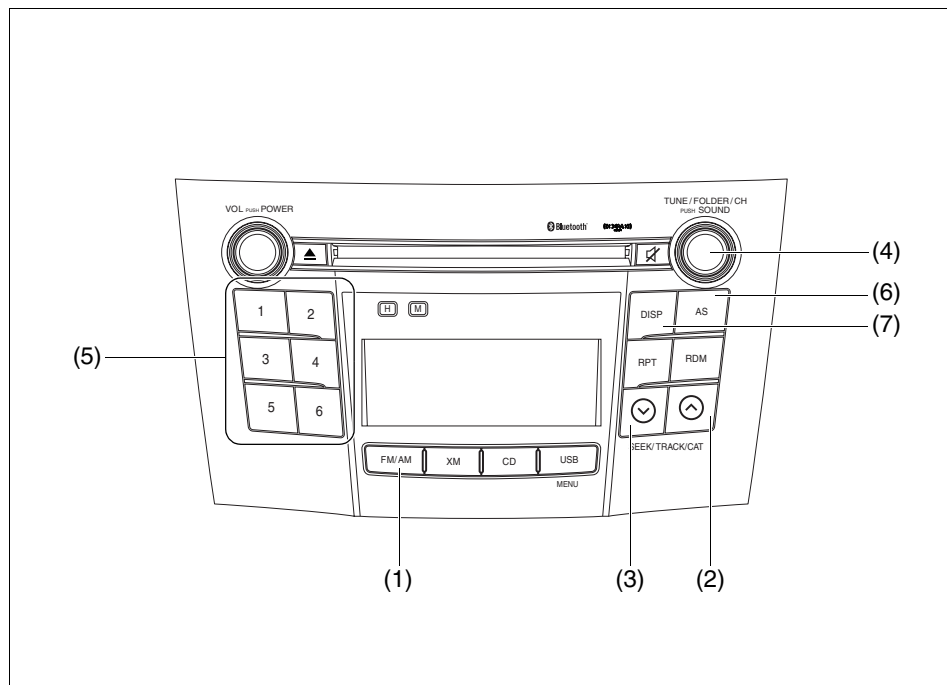
The Auto Volume Control (AVC) function automatically adjusts (increases/decreases) the sound volume in accordance with vehicle speed. The AVC control is provided with three selectable levels (LEVEL OFF, 1, 2, 3). The range of volume adjustment increases together with the LEVEL number.

- 1) Press the TUNE FOLDER PUSH SOUND knob (2) until the AVC adjustment mode is selected.
- 2) Turn the TUNE FOLDER PUSH SOUND knob (2) to select the desired AVC adjustment level. (Initial setting: LEVEL 2)

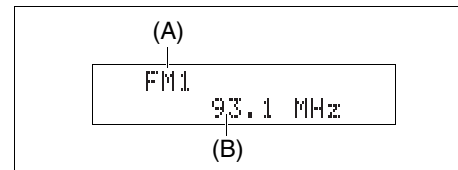
- 2) Turn the TUNE FOLDER PUSH SOUND knob (2) to adjust the sound.

OTHER CONTROLS AND EQUIPMENT

Listening to the Radio



Display



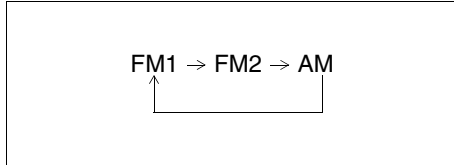
- (1) FM/AM button
- (2) Up button
- (3) Down button
- (4) TUNE FOLDER PUSH SOUND knob
- (5) Preset buttons (1 to 6)
- (6) AS button
- (7) DISP button

- (A) Band
- (B) Frequency

Selecting the reception band

Press the FM/AM button (1).

Each time the button is pressed, the reception band is switched as follows:



Seek tuning

Press the seek Up button (2) or the seek Down button (3).

The unit stops searching for a station at a frequency where a broadcast station is available.

Manual tuning

Turn the TUNE FOLDER PUSH SOUND knob (4).

The frequency being received is displayed.

Preset memory

1) Select the desired station.

2) Select the Preset button (5) to which you want to store the station and press and hold the button for 2 seconds or longer.

Auto store

Press and hold the AS button (6) for 2 seconds or longer.

Six stations in good reception are automatically stored to the Preset buttons (5) in sequential order, starting from the lower frequencies.

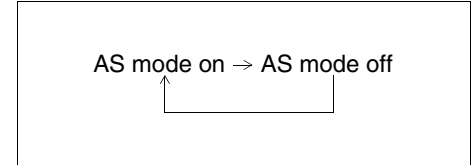
NOTE:

- *Auto store can be released by pressing AS button (6) while auto store is under way.*
- *When the auto store is performed, the station previously stored in the memory at the position is overwritten.*
- *When there are fewer than 6 stations that can be stored even if 1 round of auto store operation is performed, no station will be stored at the remaining Preset buttons (5).*
- *6 stations can be preset for FM1 and FM2 in common, and 6 stations for AM in auto store mode.*

Auto store mode on/off

Press the AS button (6).

Each time the button is pressed, the mode is switched as follows:



Preset station calling

Press the Preset button (5).

The corresponding station preset can be received.

NOTE:

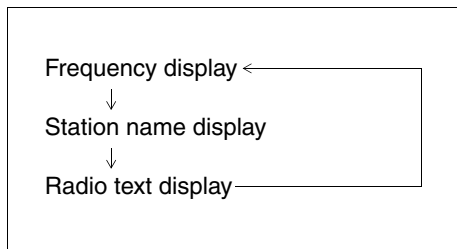
If the button for a station not preset is pressed, the unit displays “- - -”.

OTHER CONTROLS AND EQUIPMENT

Display change

Press the DISP button (7).

Each time it is pressed, display is changed as follows:



NOTE:

- *Station name display is not selectable when no station name data is received.*
- *"NO MESSAGE" is displayed when no radio text data is received.*
- *If all the text data cannot be displayed, the ">" mark appears at the right end. Holding down the DISP button (7) for 1 sec. or more calls the next page.*
- *The display will return to the frequency display after 6 seconds.*

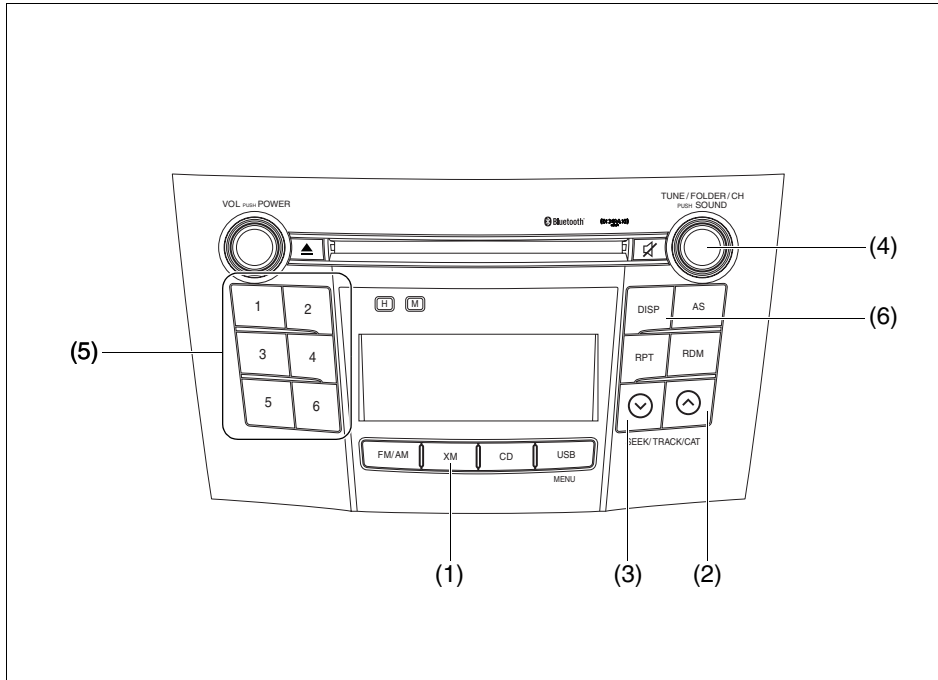
Radio Reception

Radio reception can be affected by environment, atmospheric conditions, or radio signal's power and distance from the station. Nearby mountains and buildings may interfere or deflect radio reception, causing poor reception. Poor reception or radio static can also be caused by electric current from overhead wires or high voltage power lines.

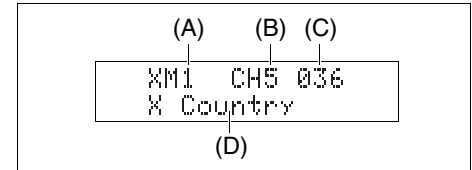
Station name display/Radio text display

Station name display and radio text display are not available when no data is received, or may not be displayed properly when the data is incorrectly transmitted or received.

Listening to the XM Radio (if equipped)



Display



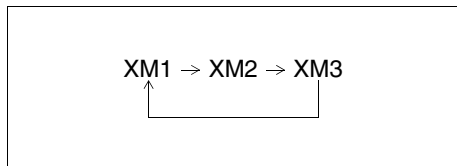
- (1) XM button
 - (2) Up button
 - (3) Down button
 - (4) TUNE FOLDER PUSH SOUND knob
 - (5) Preset buttons (1 to 6)
 - (6) DISP button
-
- (A) Band
 - (B) Preset number
 - (C) Channel number
 - (D) Channel name

OTHER CONTROLS AND EQUIPMENT

Selecting the reception band

Press the XM button (1).

Each time the button is pressed, the reception band is switched as follows:



Category selection

Press the Up button (2) or the Down button (3).

The category being received is displayed.

Channel selection

Turn the TUNE FOLDER PUSH SOUND knob (4).

The channel being received is displayed.

NOTE:

- “*RADIO ID*” is displayed with channel 000.
- “*Loading*” is displayed during the acquisition of audio data or information.

Channel selection by category

Turn the TUNE FOLDER PUSH SOUND knob (4) during category display.

The channel being received is displayed.

Preset memory

- 1) Select the desired channel.
- 2) Select the Preset buttons (5) to which you want to store the channel and press and hold the button for 2 seconds or longer.

Preset channel calling

Press the Preset button (5).

The corresponding channel preset can be received.

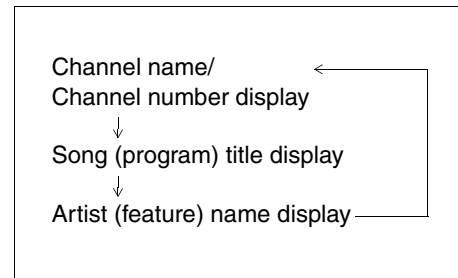
NOTE:

If the button for a channel not preset is pressed, the unit displays “- -”.

Display change

Press the DISP button (6).

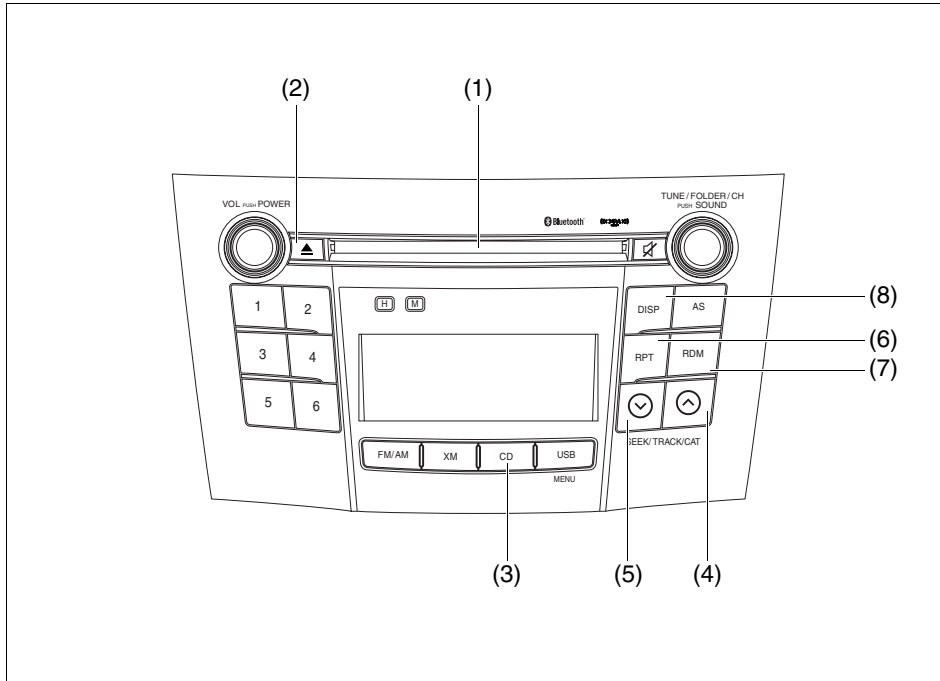
Each time it is pressed, display is changed as follows:



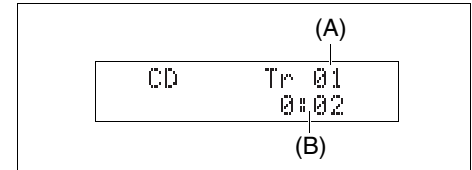
XM Reception

XM reception can be affected by atmospheric conditions. Nearby buildings or under the overhead railway may interfere or deflect reception, causing poor reception.

Listening to a CD



Display



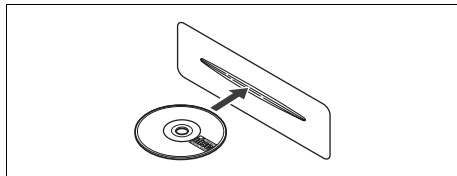
- (1) Insertion slot
- (2) Eject button
- (3) CD button
- (4) Up button
- (5) Down button
- (6) RPT button
- (7) RDM button
- (8) DISP button

- (A) Track number
- (B) Play time

OTHER CONTROLS AND EQUIPMENT



- CDs or CD-ROMs carrying no mark (A) cannot be used.
- Some discs previously recorded in CD-R\CD-RW format may not be used.



- A CD is inserted with its label facing upward.
- When there is a CD already loaded in the unit, another CD cannot be loaded at the same time. Do not use force when inserting the CD into the CD insertion slot.
- If a blank disc (non recorded CD-R) is loaded in the unit, the disc will be ejected.

CAUTION

- **Never insert your finger or hand into the CD insertion slot. Never insert foreign objects.**
- **Never insert a CD with glue coming out from adhesive tape or a rental CD label or with a trace indicating that adhesive tape or a rental CD label has been removed. This may cause the CD not to eject or result in a malfunction.**

Selecting a CD mode

Press the CD button (3).

Each time the button is pressed, the source is switched as follows:

CD → Bluetooth® audio

Loading a CD

Insert a CD in the Insertion slot (1).
When a CD is loaded, play starts.

Ejecting a CD

Press the Eject button (2).

If you left a CD ejected for a period of about 15 seconds, it will be automatically drawn inside the unit. (Auto reload function, only at ACC off)

The backup eject function:

This function allows you to eject a CD with the ACC power turned off by pressing the Eject button (2).

CAUTION

**If you forcefully try to push an ejected CD inside the unit before auto reloading, the disc surface might be scratched.
Eject completely before reloading.**

Listening to a CD

When a CD is inserted, it is automatically played back.

When a CD is already inside the unit, press the CD button (3) to play back the CD.

Selecting a track

- Press the Up button (4) to listen to the next track.
- Press the Down button (5) twice to listen to the previous track.
When the Down button (5) is pressed once, the track currently being played will start again at the beginning.

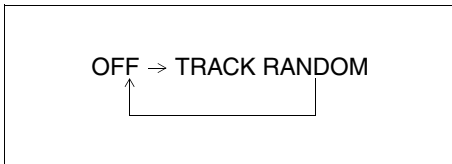
Fast forwarding/Rewinding a track

- Hold in the Up button (4) to advance a track rapidly.
- Hold in the Down button (5) to rewind a track.

Random play

Press the RDM button (7).

Each time the button is pressed, the mode changes in the following order.



NOTE:

To cancel repeat play, press the RPT button (6) to change the repeat play mode to OFF.

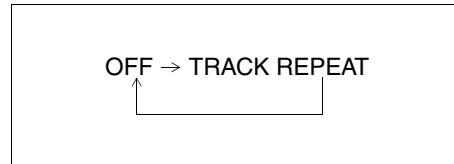
- TRACK REPEAT

The repeat indicator "RPT" lights.
The track being currently played is played repeatedly.

Repeat play

Press the RPT button (6).

Each time the button is pressed, repeat play mode changes as follows:



NOTE:

To cancel repeat play, press the RPT button (6) to change the repeat play mode to OFF.

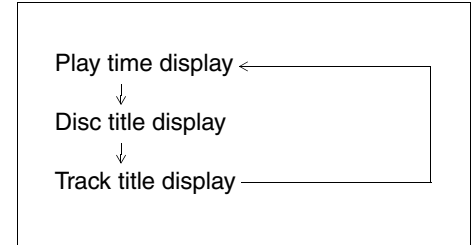
- TRACK REPEAT

The repeat indicator "RPT" lights.
The track being currently played is played repeatedly.

Display change

Press the DISP button (8).

Each time it is pressed, display is changed as follows:

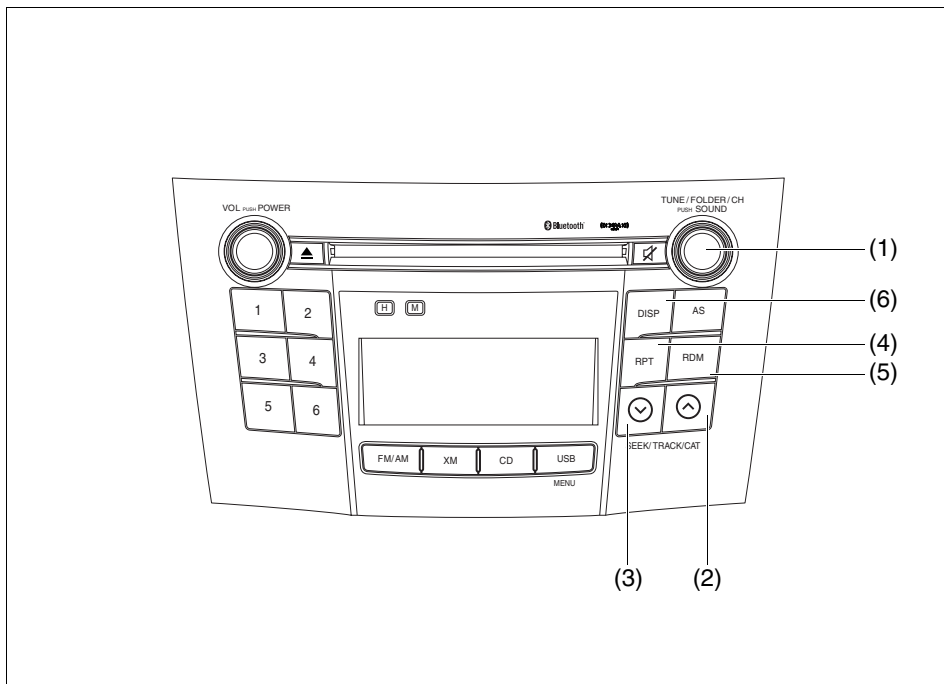


NOTE:

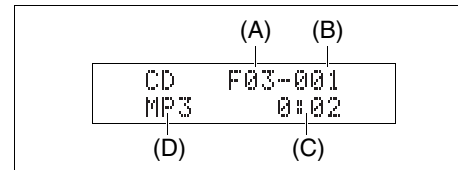
- "NO TITLE" is displayed when there is no information on the disc.
- If all the text data cannot be displayed, the ">" mark appears at the right end. Holding down the DISP button (8) for 1 sec. or more calls the next page.

OTHER CONTROLS AND EQUIPMENT

Listening to an MP3/WMA Disc



Display



- (1) TUNE FOLDER PUSH SOUND knob
- (2) Up button
- (3) Down button
- (4) RPT button
- (5) RDM button
- (6) DISP button

- (A) Folder number
- (B) Track number
- (C) Play time
- (D) MP3/WMA indicator

Selecting a folder

Turn the TUNE FOLDER PUSH SOUND knob (1) to select a folder.

Selecting a track

- Press the Up button (2) to listen to the next track.
- Press the Down button (3) twice to listen to the previous track.

When the Down button (3) is pressed once, the track currently being played will start again at the beginning.

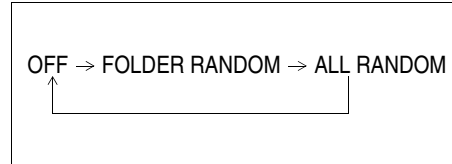
Fast forwarding/Rewinding a track

- Hold in the Up button (2) to advance a track rapidly.
- Hold in the Down button (3) to rewind a track.

Random play

Press the RDM button (5).

Each time the button is pressed, the mode changes in the following order.



NOTE:

To cancel random play, press the RDM button (5) several times to change the random play mode to OFF.

- FOLDER RANDOM
The random indicator “RDM.F” lights.
The tracks in the current folder are played at random.
- ALL RANDOM
The random indicator “RDM” lights.
The tracks in the disc that is loaded are played at random.

Repeat play

Press the RPT button (4).

Each time the button is pressed, repeat play mode changes as follows:



NOTE:

To cancel repeat play, press the RPT button (4) several times to change the repeat play mode to OFF.

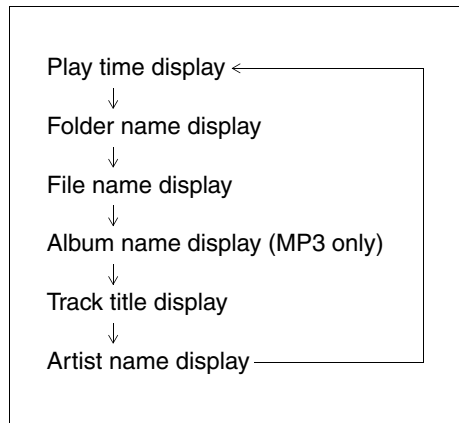
- FILE REPEAT
The repeat indicator “RPT” lights.
The track currently being played is played repeatedly.
- FOLDER REPEAT
The repeat indicator “RPT.F” lights.
All the tracks in the folder currently being played are played repeatedly.

OTHER CONTROLS AND EQUIPMENT

Display change

Press the DISP button (6).

Each time it is pressed, display is changed as follows:



NOTE:

- “NO TITLE” is displayed when there is no information on the disc.
- If all the text data cannot be displayed, the “>” mark appears at the right end. Holding down the DISP button (6) for 1 sec. or more calls the next page.

Notes on MP3/WMA

What is MP3/WMA?

MP3 (MPEG1/2 Audio Layer-III) and WMA (Windows Media™ Audio) are the compression formats of digital audio. The former is developed by MPEG (Motion Picture Experts Group), and the latter is developed by Microsoft Corporation. Using these compression formats, you can record the contents of about 10 music CDs on a single CD media (This figures refer to data recorded on a 650 MB CD-R or CD-RW at a fixed bit rate of 128 kbps and a sampling frequency of 44.1 kHz).

Points to remember when making MP3/WMA files

Common

- High bit rate and high sampling frequency are recommended for high quality sounds.
- Selecting VBR (Variable Bit Rate) is not recommended because playing time is not displayed properly and sound may be skipped.
- The playback sound quality differs depending on the encoding circumstances. For details, refer to the user manual of your own encoding software and writing software.

MP3

- It is recommended to set the bit rate to “128 kbps or more” and “fixed”.

WMA

- It is recommended to set the bit rate to “64 kbps or more” and “fixed”.
- Do not set the copy protect attribute on the WMA file to enable this unit to play back.

NOTE:

Never assign the “.mp3”, or “.wma” file name extension to a file that is not in the MP3/WMA format. This may not only produce noise from the speaker damage, but also damage your hearing.

Recording MP3/WMA files on a CD media

- You are recommended to minimize the chances of making a disc that contains both CD-DA files and MP3/WMA files.
- If CD-DA files are on the same disc as MP3 or WMA files, the songs may not play in the intended order, or some songs may not play at all.
- When storing MP3 data and WMA data on the same disc, use different folders for each data.
- Do not record files other than MP3/WMA files and unnecessary folder on a

disc.

- The name of an MP3/WMA file should be added by rules as shown in the following descriptions and also comply with the rules of each file system.
- The file extension “.mp3” or “.wma” should be assigned to each file depending on the file format.
- You may encounter trouble in playing MP3/WMA files or displaying the information of MP3/WMA files recorded with certain writing software or CD recorders.
- This unit does not have a play list function.
- Although Multi-session recording is supported, the use of Disc-at-Once is recommended.

Compression formats

MP3

- Bit rate:
 - MPEG1 Audio Layer III : 64 k - 320 kbps
 - MPEG2 Audio Layer III : 64 k - 160 kbps
 - Sampling frequency:
 - MPEG1 Audio Layer III : 32 k/44.1 k/48 kHz
 - MPEG2 Audio Layer III : 16 k/22.05 k/24 kHz
- WMA (Ver.7, Ver.8)
- Bit rate: CBR 48 k - 192 kbps
 - Sampling frequency: 32 k/44.1 k/48 kHz

OTHER CONTROLS AND EQUIPMENT

WMA (Ver. 9*)

- Bit rate: CBR 48 k - 320 kbps
- Sampling frequency: 32 k/44.1 k/48 kHz

* WMA 9 Professional/LossLess/Voice are not supported.

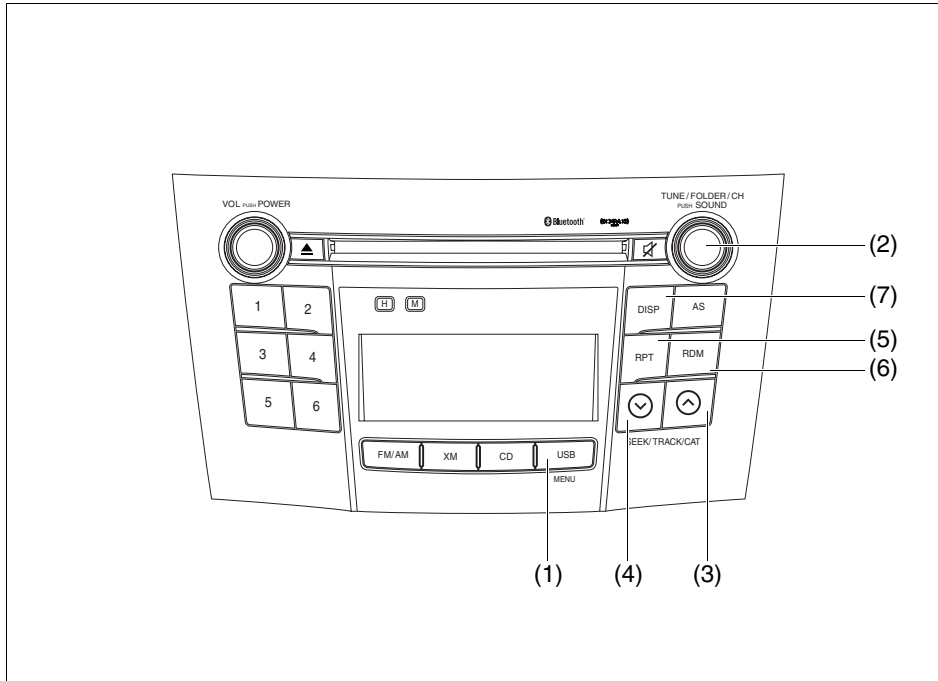
Supported file systems

ISO 9660 Level 1/Level 2, Joliet, Romeo

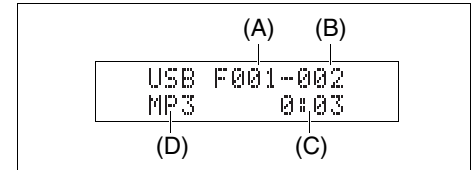
Maximum number of files/folders

- Maximum number of files: 512 (files + folders)
- Maximum number of files in one folder: 512
- Maximum depth of trees: 8
- Maximum number of folders: 255 (Root folder is included.)

Listening to the file stored in the USB device



Display



- (1) USB button
- (2) TUNE FOLDER PUSH SOUND knob
- (3) Up button
- (4) Down button
- (5) RPT button
- (6) RDM button
- (7) DISP button

- (A) Folder number
- (B) Track number
- (C) Play time
- (D) MP3/WMA indicator

OTHER CONTROLS AND EQUIPMENT

CAUTION

Do not connect any USB device other than a USB memory or a USB audio player. Do not connect multiple USB devices to the USB connector. Supplying power to multiple USB devices from the connector could cause overheating and smoking.

Selecting a USB device mode

Press the USB button (1).

Selecting a folder

Turn the sound control knob (2) to select a folder.

Selecting a track

- Press the Up button (3) to listen to the next track.
- Press the Down button (4) twice to listen to the previous track.
When the Down button (4) is pressed once, the track currently being played will start again at the beginning.

Fast forwarding/Rewinding a track

- Hold in the Up button (3) to advance a track rapidly.
- Hold in the Down button (4) to rewind a track.

Random play

Press the RDM button (6).
Each time the button is pressed, the mode changes in the following order.

OFF → FOLDER RANDOM → ALL RANDOM



NOTE:

To cancel random play, press the RDM button (6) several times to change the random play mode to OFF.

- FOLDER RANDOM
The random indicator “RDM.F” lights.
The tracks in the current folder are played at random.
- ALL RANDOM
The random indicator “RDM” lights.
The tracks in the USB device that is connected are played at random.

Repeat play

Press the RPT button (5).
Each time the button is pressed, repeat play mode changes as follows:

OFF → FILE REPEAT → FOLDER REPEAT



NOTE:

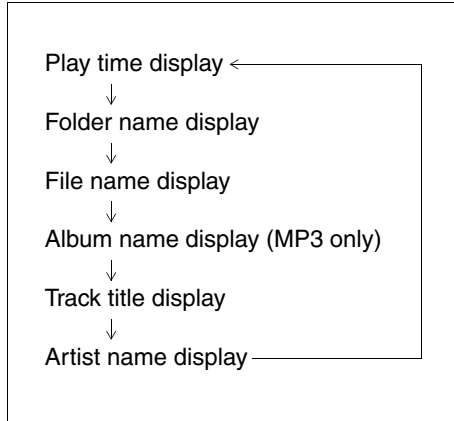
To cancel repeat play, press the RPT button (5) several times to change the repeat play mode to OFF.

- FILE REPEAT
The repeat indicator “RPT” lights.
The track currently being played is played repeatedly.
- FOLDER REPEAT
The repeat indicator “RPT.F” lights.
All the tracks in the folder currently being played are played repeatedly.

Display change

Press the DISP button (7).

Each time it is pressed, display is changed as follows:



NOTE:

- “NO TITLE” is displayed when there is no information on the disc.
- If all the text data cannot be displayed, the “>” mark appears at the right end. Holding down the DISP button (7) for 1 sec. or more calls the next page.

Notes on USB device Compatible USB devices

- USB Mass Storage Class
For details as to whether your USB memory/USB Audio is compatible with USB Mass Storage Class, please contact the USB memory/USB Audio manufacturer.
- USB Standard Compatibility 1.1/2.0 Full Speed
- File System FAT16/32
- Maximum current less than 500 mA
- Capacity less than 4 GB (1 partition)

USB device connection

- When connecting a USB device, make sure the connector is pushed all the way into the socket.
- Do not leave the USB device for long periods of time in places inside the car where the temperature rises too high.
- Back up any important data beforehand. We cannot accept responsibility for any lost data.
- The use of USB devices that contain data files other than MP3/WMA format is not recommended.

Recording MP3/WMA files on a USB device

- Playback or display may not be possible depending on the type of USB device or the condition of the recording.
- Depending on the connected USB memory, the order in which the files are played back may differ from the order in which the files were stored.

Compression formats

MP3

- Bit rate:
MPEG1 Audio Layer III : 64 k - 320 kbps
MPEG2 Audio Layer III : 64 k - 160 kbps
- Sampling frequency:
MPEG1 Audio Layer III : 32 k/44.1 k/48 kHz
MPEG2 Audio Layer III : 16 k/22.05 k/24 kHz

WMA (Ver.7, Ver.8)

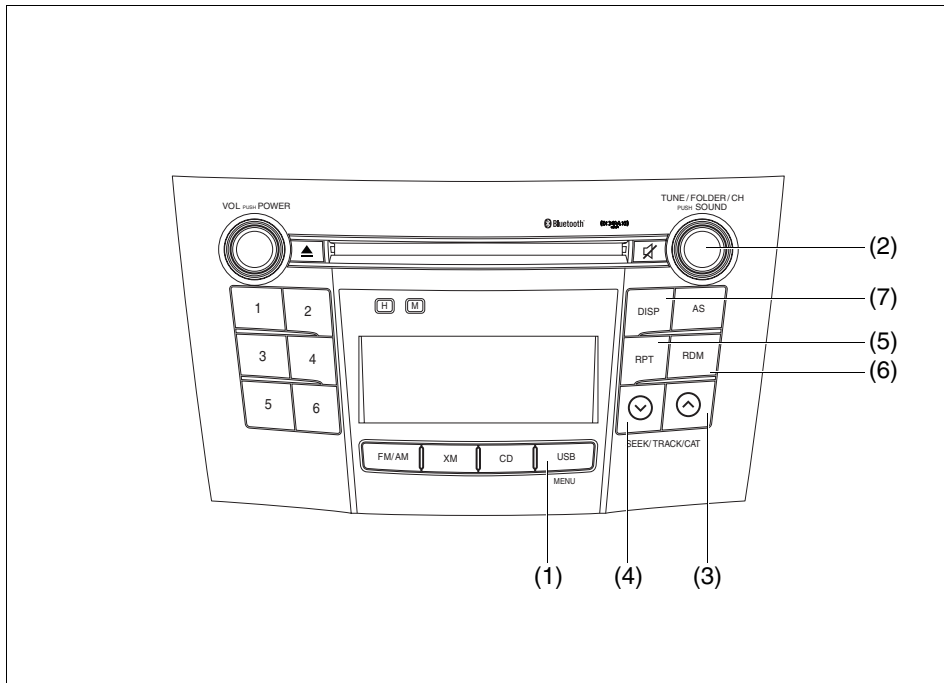
- Bit rate: CBR 48 k - 192 kbps
- Sampling frequency: 32 k/44.1 k/48 kHz
- WMA (Ver. 9*)
- Bit rate: CBR 48 k - 320 kbps
- Sampling frequency: 32 k/44.1 k/48 kHz
- * WMA 9 Professional/LossLess/Voice are not supported.

Maximum number of files/folders

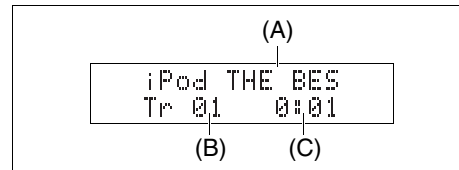
- Maximum number of files: 2500 (files + folders)
- Maximum number of files in one folder: 255
- Maximum depth of trees: 8
- Maximum number of folders: 255 (Root folder is included.)

OTHER CONTROLS AND EQUIPMENT

Listening to an iPod®



Display



- (1) USB button
- (2) TUNE FOLDER PUSH SOUND knob
- (3) Up button
- (4) Down button
- (5) RPT button
- (6) RDM button
- (7) DISP button

- (A) Track title
- (B) Track number
- (C) Play time

Selecting an iPod® mode

Press the USB button (1).

Selecting a track

- Press the Up button (3) to listen to the next track.
- Press the Down button (4) twice to listen to the previous track.
When the Down button (4) is pressed once, the track currently being played will start again at the beginning.

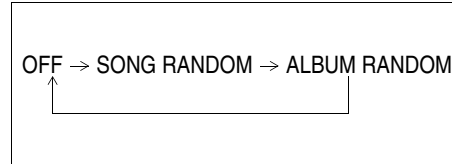
Fast forwarding/Rewinding a track

- Hold in the Up button (3) to advance a track rapidly.
- Hold in the Down button (4) to rewind a track.

Random play

Press the RDM button (6).

Each time the button is pressed, the mode changes in the following order.



NOTE:

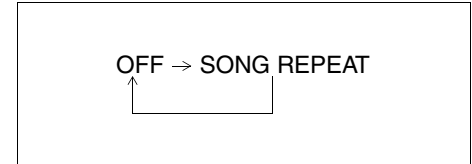
To cancel random play, press the RDM button (6) several times to change the random play mode to OFF.

- **SONG RANDOM**
The random indicator “RDM” lights.
The tracks in the iPod® are played at random.
- **ALBUM RANDOM**
The random indicator “D.RDM” lights.
The albums in the iPod® that are played at random.

Repeat play

Press the RPT button (5).

Each time the button is pressed, repeat play mode changes as follows:



NOTE:

To cancel repeat play, press the RPT button (5) again.

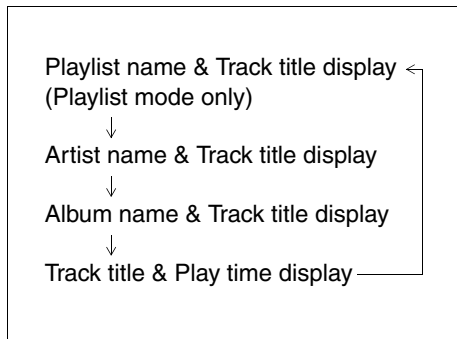
- **SONG REPEAT**
The repeat indicator “RPT” lights.
The track currently being played is played repeatedly.

OTHER CONTROLS AND EQUIPMENT

Display change

Press the DISP button (7).

Each time it is pressed, display is changed as follows:



NOTE:

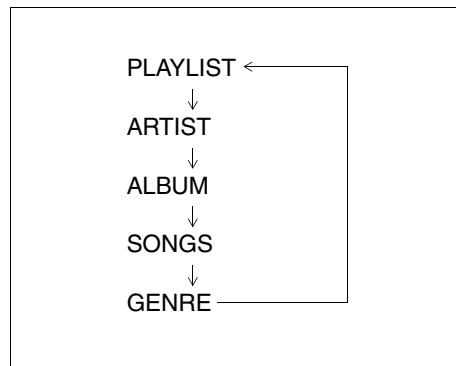
If all the text data cannot be displayed, the ">" mark appears at the right end. Holding down the DISP button (7) for 1 sec. or more calls the next page.

Playing Mode selection

1) Press and hold the USB button (1) for 1 second or longer.

2) Turn the TUNE FOLDER PUSH SOUND knob (2).

Each time it is turned, mode is changed as follows:



3) Press the TUNE FOLDER PUSH SOUND knob (2) to select an item.

NOTE:

- When the USB button (1) is pressed, the previous screen appears.
- When the DISP button (7) is pressed, the regular screen appears.
- "NO SONGS" will appear if no song exists.

Notes on iPod®

Controllable iPod®/software version

- iPod® touch
- iPod® classic
- iPod® nano (4th generation)
- iPod® nano (3rd generation)
- iPod® nano (2nd generation)
- iPod® nano (1st generation)
- iPod® (5th generation)

* Please update the firmware of your iPod® before using it.

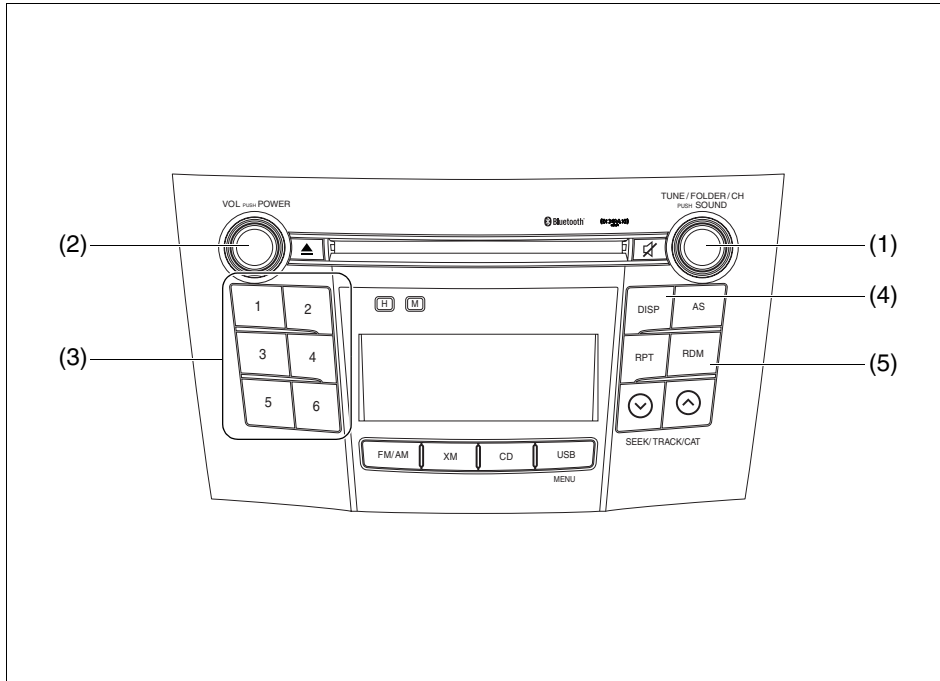
Some functions may not be available depending on the model of iPod® or its firmware version.

- iPod® is a trademark of Apple Inc., registered in the U.S. and other countries.
- Apple is not responsible for the operation of this device or its compliance with safety and regulatory standards.

iPod® connection

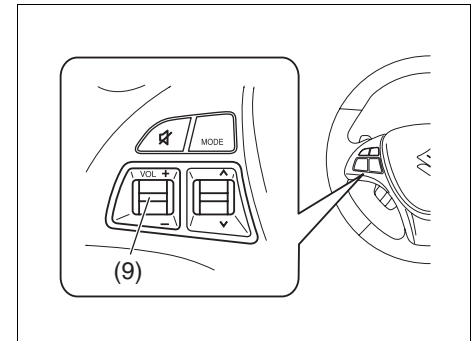
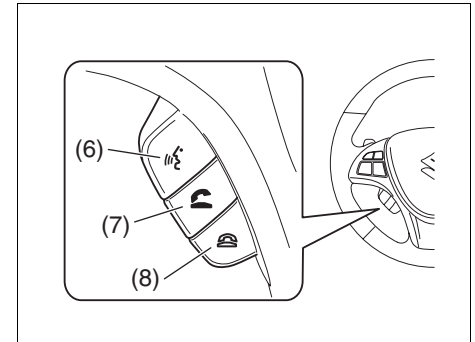
- Please make sure to detach the iPod® after turning off the car engine (turning the ACC to OFF). The iPod® may not shut down while still connected, which may result in battery depletion.
- Please do not connect iPod® accessories such as an iPod® remote control or headphones while connecting iPod® with the unit. The unit may not operate correctly.

Bluetooth® Hands-Free (if equipped)



- (1) TUNE FOLDER PUSH SOUND knob
- (2) VOL PUSH POWER knob
- (3) Preset buttons
- (4) DISP button
- (5) RDM button

Hands-free switches



- (6) Talk button
- (7) Off Hook button
- (8) On Hook button
- (9) VOL switch

OTHER CONTROLS AND EQUIPMENT

Bluetooth® language selection

The language used for the voice guidance, menu, and voice recognition can be selected. (Default: English)

- 1) Press the Off Hook button (7).
The hands-free mode is activated.
- 2) Hold down RDM button (5) for 2 sec. or more.
- 3) Turn the TUNE FOLDER PUSH SOUND knob (1) to select a language, and press the TUNE FOLDER PUSH SOUND knob (1) to determine the selection.

NOTE:

The regular screen resumes if no operation is performed for 5 sec. or more.

Telephone registration

To activate the hands-free function with this unit, your cell phone needs to be registered.

NOTE:

- Up to 6 telephones can be registered.
 - To set up a new phone, disconnect the system from the audio player. The audio player shall be reconnected after phone setup is completed.
 - If connection cannot be confirmed within 120 seconds, the connecting operation is canceled. Please try again or refer to the Phone's manual for assistance with the pairing process.
- 1) Press the Off Hook button (7).
The Bluetooth® main menu appears.
 - 2) Turn the TUNE FOLDER PUSH SOUND knob (1) to select "Pair Phone", and press the TUNE FOLDER PUSH SOUND knob (1) to determine the selection.
 - 3) Turn the TUNE FOLDER PUSH SOUND knob (1) to select "Record Name", and press the TUNE FOLDER PUSH SOUND knob (1) to determine the selection.
 - 4) Pronounce the name to be used at voice recognition.

- 5) Turn the TUNE FOLDER PUSH SOUND knob (1) to select "Confirm", and press the TUNE FOLDER PUSH SOUND knob (1) to determine the selection.
- 6) Turn the TUNE FOLDER PUSH SOUND knob (1) to select "Phone Only" or "Int. Audio", and press the TUNE FOLDER PUSH SOUND knob (1) to determine the selection.
"Phone Only" shall be selected for using only as the telephone, and "Int.Audio" shall be selected for using as the built-in audio equipment as well as the telephone.
- 7) Select "CAR_M.MEDIA" from the Bluetooth® menu of the cell phone and make a connection.
Refer to the manual of your cell phone for further information.
- 8) Enter the Passkey displayed on the system into the cell phone.
- 9) Press the On Hook button (8).

NOTE:

- Selection of "Go Back" displays the previous menu.
- If you select "Pair Phone" at step 8, you can register the other phones continuously.

Receiving a call

Press the Off Hook button (7) to receive a call.

Ending a call

Press the On Hook button (8) to end a call.

Rejecting a call (only for supported models)

Press the On Hook button (8) to reject a incoming call.

Adjusting the listening volume

- Turn the VOL PUSH POWER knob (2) during a call.

Turning it clockwise increases the volume; turning it counterclockwise decreases the volume.

- Lean the VOL switch (9) during a call.

Leaning to the upper side increases the volume; leaning the lower side decreases the volume.

Adjusting the ring volume

- Turn the VOL PUSH POWER knob (2) while a call coming in.

Turning it clockwise increases the volume; turning it counterclockwise decreases the volume.

- Lean the VOL switch (9) while a call coming in.

Leaning to the upper side increases the volume; leaning the lower side decreases the volume.

Dialing by using Redial/Callback

The last dialed number is dialed.

NOTE:

Up to latest 5 calls can be stored for each.

- 1) Press the Off Hook button (7).
The Bluetooth® main menu appears.
- 2) Turn the TUNE FOLDER PUSH SOUND knob (1) to select “Redial” or “Callback”, and press the TUNE FOLDER PUSH SOUND knob (1) to determine the selection.

For calling from the outgoing call record or incoming call record, “Redial” or “Callback” shall be selected, respectively.

- 3) Turn the TUNE FOLDER PUSH SOUND knob (1) to select a number, and press the TUNE FOLDER PUSH SOUND knob (1) to determine the selection.
- 4) Turn the TUNE FOLDER PUSH SOUND knob (1) to select “Dial”, and press the TUNE FOLDER PUSH SOUND knob (1) to determine the selection.

The selected number is dialed.

NOTE:

- Selection of “Go Back” displays the previous menu.
- Pressing the Off Hook button (7) in the 2nd step allows users to forward to the 3rd step with a single motion.

OTHER CONTROLS AND EQUIPMENT

- Pressing “Confirm” after selecting “Store” allows the selected number to be registered to the Phonebook.
- Pressing “Confirm” after selecting “Delete” allows the selected number to be deleted from the list.

Registration in Phonebook

A telephone number is registered to the Phonebook.

- 1) Press the Off Hook button (7).
The Bluetooth® main menu appears.
- 2) Turn the TUNE FOLDER PUSH SOUND knob (1) to select “Phonebook”, and press the TUNE FOLDER PUSH SOUND knob (1) to determine the selection.
- 3) Turn the TUNE FOLDER PUSH SOUND knob (1) to select “Add Entry”, and press the TUNE FOLDER PUSH SOUND knob (1) to determine the selection.
- 4) Turn the TUNE FOLDER PUSH SOUND knob (1) to select “By Voice”, “By Phone”, “Manual Input” or “Call History”, and press the TUNE FOLDER PUSH SOUND knob (1) to determine the selection.
“By Voice”: Registers through the voice command.
“By Phone”: Registers through the telephone.
“Manual Input”: Registers with use of the TUNE FOLDER PUSH SOUND knob (1).
“Call History”: Registers through the incoming/outgoing call records.

- 5) Press the Talk button (6) and pronounce a registered name.
- 6) Turn the TUNE FOLDER PUSH SOUND knob (1) to select “Confirm”, and press the TUNE FOLDER PUSH SOUND knob (1) to determine the selection.

NOTE:

- Selection of “Go Back” displays the previous menu.
- Up to 20 numbers can be registered in Phonebook.

Name change (Change Name)

The name of number registered in phonebook is changed.

- 1) Press the Off Hook button (7).
The Bluetooth® main menu appears.
- 2) Turn the TUNE FOLDER PUSH SOUND knob (1) to select "Phonebook", and press the TUNE FOLDER PUSH SOUND knob (1) to determine the selection.
- 3) Turn the TUNE FOLDER PUSH SOUND knob (1) to select "Change Name", and press the TUNE FOLDER PUSH SOUND knob (1) to determine the selection.
- 4) Turn the TUNE FOLDER PUSH SOUND knob (1) to select a number to be changed, and press the TUNE FOLDER PUSH SOUND knob (1) to determine the selection.
- 5) Turn the TUNE FOLDER PUSH SOUND knob (1) to select "Record Name", and press the TUNE FOLDER PUSH SOUND knob (1) to determine the selection.
- 6) Pronounce the name to be used at voice recognition.
- 7) Turn the TUNE FOLDER PUSH SOUND knob (1) to select "Confirm", and press the TUNE FOLDER PUSH SOUND knob (1) to determine the selection.

NOTE:

Selection of "Go Back" displays the previous menu.

Making a call by Phonebook

The number registered in Phonebook is dialed.

- 1) Press the Off Hook button (7).
The Bluetooth® main menu appears.
- 2) Turn the TUNE FOLDER PUSH SOUND knob (1) to select "Phonebook", and press the TUNE FOLDER PUSH SOUND knob (1) to determine the selection.
- 3) Turn the TUNE FOLDER PUSH SOUND knob (1) to select "List Names", and press the TUNE FOLDER PUSH SOUND knob (1) to determine the selection.
The registered numbers are displayed in sequence.
- 4) Press the Off Hook button (7).
The displayed number is dialed.

Deletion of registered data (Delete Entry)

The number registered in Phonebook is deleted.

- 1) Press the Off Hook button (7).
The Bluetooth® main menu appears.
- 2) Turn the TUNE FOLDER PUSH SOUND knob (1) to select "Phonebook", and press the TUNE FOLDER PUSH SOUND knob (1) to determine the selection.
- 3) Turn the TUNE FOLDER PUSH SOUND knob (1) to select "Delete Entry", and press the TUNE FOLDER PUSH SOUND knob (1) to determine the selection.
- 4) Turn the TUNE FOLDER PUSH SOUND knob (1) to select a number to be deleted, and press the TUNE FOLDER PUSH SOUND knob (1) to determine the selection.
- 5) Turn the TUNE FOLDER PUSH SOUND knob (1) to select "Confirm", and press the TUNE FOLDER PUSH SOUND knob (1) to determine the selection.

NOTE:

Selection of "Go Back" displays the previous menu.

OTHER CONTROLS AND EQUIPMENT

One-touch call (Speed dial)

One of the numbers registered to the Preset buttons (3) is dialed.

- 1) Press the Off Hook button (7).
The hands-free mode is activated.
- 2) Press one of the Preset buttons (3).
The registered name is pronounced.
When no registered name is found, "Empty" is pronounced.
- 3) Press the Off Hook button (7).
The selected number is dialed.

Registration in speed dial

A telephone number is registered to the speed dial.

- 1) Press the Off Hook button (7).
The Bluetooth® main menu appears.
- 2) Turn the TUNE FOLDER PUSH SOUND knob (1) to select "Phone-book", and press the TUNE FOLDER PUSH SOUND knob (1) to determine the selection.
- 3) Turn the TUNE FOLDER PUSH SOUND knob (1) to select "Speed Dial", and press the TUNE FOLDER PUSH SOUND knob (1) to determine the selection.
- 4) Turn the TUNE FOLDER PUSH SOUND knob (1) to select a number to be registered, and press the TUNE FOLDER PUSH SOUND knob (1) to determine the selection.
- 5) Press one of the Preset buttons (3), to which the selected number is registered.
If a number is already registered to the selected button, a confirmation message is displayed. Turn the TUNE FOLDER PUSH SOUND knob (1) to select "Confirm", and press the TUNE FOLDER PUSH SOUND knob (1) to determine the selection.

NOTE:

Selection of "Go Back" displays the previous menu.

Deletion of speed dial (Del Spd Dial)

The numbers registered to the speed dial is deleted.

- 1) Press the Off Hook button (7).
The Bluetooth® main menu appears.
- 2) Turn the TUNE FOLDER PUSH SOUND knob (1) to select "Phone-book", and press the TUNE FOLDER PUSH SOUND knob (1) to determine the selection.
- 3) Turn the TUNE FOLDER PUSH SOUND knob (1) to select "Del Spd Dial", and press the TUNE FOLDER PUSH SOUND knob (1) to determine the selection.
- 4) Press one of the Preset buttons (3), to which the selected number is registered.
- 5) Turn the TUNE FOLDER PUSH SOUND knob (1) to select "Confirm", and press the TUNE FOLDER PUSH SOUND knob (1) to determine the selection.

NOTE:

Selection of "Go Back" displays the previous menu.

Security number (PIN)

The security number (PIN) is specified. Once PIN is specified, PIN entry is required when toggling Phonebook between locking and unlocking.

- 1) Press the Off Hook button (7).
The Bluetooth® main menu appears.
- 2) Turn the TUNE FOLDER PUSH SOUND knob (1) to select “Setup”, and press the TUNE FOLDER PUSH SOUND knob (1) to determine the selection.
- 3) Turn the TUNE FOLDER PUSH SOUND knob (1) to select “Security”, and press the TUNE FOLDER PUSH SOUND knob (1) to determine the selection.
- 4) Turn the TUNE FOLDER PUSH SOUND knob (1) to select “Set PIN”, and press the TUNE FOLDER PUSH SOUND knob (1) to determine the selection.
If the PIN is already specified, PIN entry is required. If the PIN needs to be changed, enter the current PIN.
- 5) Turn the TUNE FOLDER PUSH SOUND knob (1) to select a number for ones digit, and press the TUNE FOLDER PUSH SOUND knob (1) to determine the selection. Determine the tens, hundreds, and thousands digits in the same manner.

- 6) Turn the TUNE FOLDER PUSH SOUND knob (1) to select “Confirm”, and press the TUNE FOLDER PUSH SOUND knob (1) to determine the selection.

NOTE:

Selection of “Go Back” displays the previous menu.

Phonebook lock

Locking Phonebook disables users from referring to, using, editing, and deleting Phonebook, outgoing call record, and incoming call record.

- 1) Press the Off Hook button (7).
The Bluetooth® main menu appears.
- 2) Turn the TUNE FOLDER PUSH SOUND knob (1) to select “Setup”, and press the TUNE FOLDER PUSH SOUND knob (1) to determine the selection.
- 3) Turn the TUNE FOLDER PUSH SOUND knob (1) to select “Security”, and press the TUNE FOLDER PUSH SOUND knob (1) to determine the selection.
- 4) Turn the TUNE FOLDER PUSH SOUND knob (1) to select “Phbk Lock”, and press the TUNE FOLDER PUSH SOUND knob (1) to determine the selection.
If Phonebook is already set to Lock, “Phbk Lock.” is displayed.
- 5) Enter a PIN number.

NOTE:

Selection of “Go Back” displays the previous menu.

OTHER CONTROLS AND EQUIPMENT

Phonebook unlock

- 1) Press the Off Hook button (7).
The Bluetooth® main menu appears.
- 2) Turn the TUNE FOLDER PUSH SOUND knob (1) to select “Setup”, and press the TUNE FOLDER PUSH SOUND knob (1) to determine the selection.
- 3) Turn the TUNE FOLDER PUSH SOUND knob (1) to select “Security”, and press the TUNE FOLDER PUSH SOUND knob (1) to determine the selection.
- 4) Turn the TUNE FOLDER PUSH SOUND knob (1) to select “Phbk Unlock”, and press the TUNE FOLDER PUSH SOUND knob (1) to determine the selection.
If Phonebook is already set to Unlock, “Phbk Unlock.” is displayed.
- 5) Enter a PIN number.

NOTE:

Selection of “Go Back” displays the previous menu.

Adjusting the guidance volume

You can adjust the guidance volume.

- 1) Press the Off Hook button (7).
The Bluetooth® main menu appears.
- 2) Turn the TUNE FOLDER PUSH SOUND knob (1) to select “Setup”, and press the TUNE FOLDER PUSH SOUND knob (1) to determine the selection.
- 3) Turn the TUNE FOLDER PUSH SOUND knob (1) to select “System Setup”, and press the TUNE FOLDER PUSH SOUND knob (1) to determine the selection.
- 4) Turn the TUNE FOLDER PUSH SOUND knob (1) to select “Guidance Vol”, and press the TUNE FOLDER PUSH SOUND knob (1) to determine the selection.
The current guidance volume is displayed.
- 5) Turn the TUNE FOLDER PUSH SOUND knob (1) to select guidance volume, and press the TUNE FOLDER PUSH SOUND knob (1) to determine the selection.

NOTE:

Selection of “Go Back” displays the previous menu.

Display of device data (Device Name)

BD address and device name is displayed.

- 1) Press the Off Hook button (7).
The Bluetooth® main menu appears.
- 2) Turn the TUNE FOLDER PUSH SOUND knob (1) to select “Setup”, and press the TUNE FOLDER PUSH SOUND knob (1) to determine the selection.
- 3) Turn the TUNE FOLDER PUSH SOUND knob (1) to select “System Setup”, and press the TUNE FOLDER PUSH SOUND knob (1) to determine the selection.
- 4) Turn the TUNE FOLDER PUSH SOUND knob (1) to select “Device Name”, and press the TUNE FOLDER PUSH SOUND knob (1) to determine the selection.
- 5) Turn the TUNE FOLDER PUSH SOUND knob (1) to display the BD address and the device name.

NOTE:

Selection of “Go Back” displays the previous menu.

Reset to factory defaults

You can delete all registered data and reset the all change to the factory default.

- 1) Press the Off Hook button (7).
The Bluetooth® main menu appears.
- 2) Turn the TUNE FOLDER PUSH SOUND knob (1) to select "Setup", and press the TUNE FOLDER PUSH SOUND knob (1) to determine the selection.
- 3) Turn the TUNE FOLDER PUSH SOUND knob (1) to select "System Setup", and press the TUNE FOLDER PUSH SOUND knob (1) to determine the selection.
- 4) Turn the TUNE FOLDER PUSH SOUND knob (1) to select "Initialize", and press the TUNE FOLDER PUSH SOUND knob (1) to determine the selection.
- 5) Turn the TUNE FOLDER PUSH SOUND knob (1) to select "Confirm", and press the TUNE FOLDER PUSH SOUND knob (1) to determine the selection.
- 6) Turn the TUNE FOLDER PUSH SOUND knob (1) to select "Confirm", and press the TUNE FOLDER PUSH SOUND knob (1) to determine the selection.

NOTE:

Selection of "Go Back" displays the previous menu.

Selection of telephone (Select Phone)

The phone to be used can be selected.

- 1) Press the Off Hook button (7).
The Bluetooth® main menu appears.
- 2) Turn the TUNE FOLDER PUSH SOUND knob (1) to select "Setup", and press the TUNE FOLDER PUSH SOUND knob (1) to determine the selection.
- 3) Turn the TUNE FOLDER PUSH SOUND knob (1) to select "Phone Setup", and press the TUNE FOLDER PUSH SOUND knob (1) to determine the selection.
- 4) Turn the TUNE FOLDER PUSH SOUND knob (1) to select "Select Phone", and press the TUNE FOLDER PUSH SOUND knob (1) to determine the selection.
- 5) Turn the TUNE FOLDER PUSH SOUND knob (1) to select a phone to be paired, and press the TUNE FOLDER PUSH SOUND knob (1) to determine the selection.
- 6) Turn the TUNE FOLDER PUSH SOUND knob (1) to select "Confirm", and press the TUNE FOLDER PUSH SOUND knob (1) to determine the selection.

NOTE:

- *Selection of "Go Back" displays the previous menu.*
- *The Bluetooth®-ready audio device will be disconnected when the phone is selected.*

Name change (Change Name)

The registered name of phones are changed.

- 1) Press the Off Hook button (7).
The Bluetooth® main menu appears.
- 2) Turn the TUNE FOLDER PUSH SOUND knob (1) to select "Setup", and press the TUNE FOLDER PUSH SOUND knob (1) to determine the selection.
- 3) Turn the TUNE FOLDER PUSH SOUND knob (1) to select "Phone Setup", and press the TUNE FOLDER PUSH SOUND knob (1) to determine the selection.
- 4) Turn the TUNE FOLDER PUSH SOUND knob (1) to select "Change Name", and press the TUNE FOLDER PUSH SOUND knob (1) to determine the selection.
- 5) Turn the TUNE FOLDER PUSH SOUND knob (1) to select a phone to be changed, and press the TUNE FOLDER PUSH SOUND knob (1) to determine the selection.
- 6) Turn the TUNE FOLDER PUSH SOUND knob (1) to select "Record Name", and press the TUNE FOLDER PUSH SOUND knob (1) to determine the selection.

OTHER CONTROLS AND EQUIPMENT

- 7) Pronounce the name to be used at voice recognition.
- 8) Turn the TUNE FOLDER PUSH SOUND knob (1) to select “Confirm”, and press the TUNE FOLDER PUSH SOUND knob (1) to determine the selection.

NOTE:

Selection of “Go Back” displays the previous menu.

List of telephones (List Phones)

The registered name of phones are displayed in sequence.

- 1) Press the Off Hook button (7).
The Bluetooth® main menu appears.
- 2) Turn the TUNE FOLDER PUSH SOUND knob (1) to select “Setup”, and press the TUNE FOLDER PUSH SOUND knob (1) to determine the selection.
- 3) Turn the TUNE FOLDER PUSH SOUND knob (1) to select “Phone Setup”, and press the TUNE FOLDER PUSH SOUND knob (1) to determine the selection.
- 4) Turn the TUNE FOLDER PUSH SOUND knob (1) to select “List Phones”, and press the TUNE FOLDER PUSH SOUND knob (1) to determine the selection.
The names of registered phones are displayed in sequence.

NOTE:

Selection of “Go Back” displays the previous menu.

Passkey setting (Set Passkey)

The security number (Passkey) is specified.

- 1) Press the Off Hook button (7).
The Bluetooth® main menu appears.
- 2) Turn the TUNE FOLDER PUSH SOUND knob (1) to select “Setup”, and press the TUNE FOLDER PUSH SOUND knob (1) to determine the selection.
- 3) Turn the TUNE FOLDER PUSH SOUND knob (1) to select “Phone Setup”, and press the TUNE FOLDER PUSH SOUND knob (1) to determine the selection.
- 4) Turn the TUNE FOLDER PUSH SOUND knob (1) to select “Set Passkey”, and press the TUNE FOLDER PUSH SOUND knob (1) to determine the selection.
- 5) Turn the TUNE FOLDER PUSH SOUND knob (1) to select a number for ones digit, and press the TUNE FOLDER PUSH SOUND knob (1) to determine the selection. Determine the tens, hundreds, and thousands digits in the same manner.

NOTE:

Selection of “Go Back” displays the previous menu.

Deletion of telephone data (Delete Phone)

The registered information of phone is deleted.

- 1) Press the Off Hook button (7).
The Bluetooth® main menu appears.
- 2) Turn the TUNE FOLDER PUSH SOUND knob (1) to select “Setup”, and press the TUNE FOLDER PUSH SOUND knob (1) to determine the selection.
- 3) Turn the TUNE FOLDER PUSH SOUND knob (1) to select “Phone Setup”, and press the TUNE FOLDER PUSH SOUND knob (1) to determine the selection.
- 4) Turn the TUNE FOLDER PUSH SOUND knob (1) to select “Delete Phone”, and press the TUNE FOLDER PUSH SOUND knob (1) to determine the selection.
- 5) Turn the TUNE FOLDER PUSH SOUND knob (1) to select a phone to be deleted, and press the TUNE FOLDER PUSH SOUND knob (1) to determine the selection.
- 6) Turn the TUNE FOLDER PUSH SOUND knob (1) to select “Confirm”, and press the TUNE FOLDER PUSH SOUND knob (1) to determine the selection.

NOTE:

Selection of “Go Back” displays the previous menu.

HF function on/off (HF Power)

Toggles the Bluetooth® function on and off.

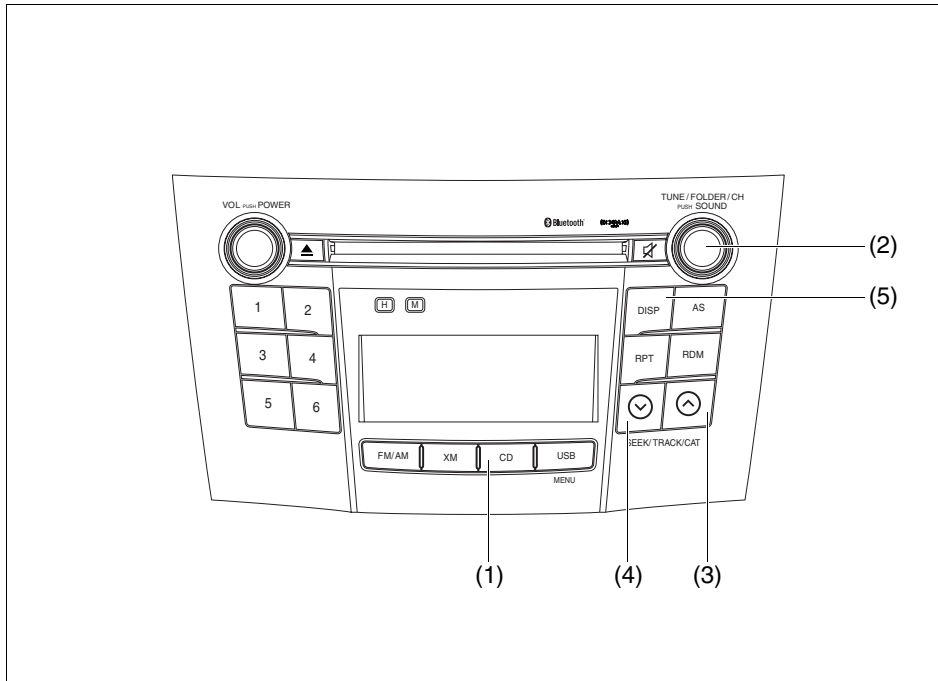
- 1) Press the Off Hook button (7).
The Bluetooth® main menu appears.
- 2) Turn the TUNE FOLDER PUSH SOUND knob (1) to select “Setup”, and press the TUNE FOLDER PUSH SOUND knob (1) to determine the selection.
- 3) Turn the TUNE FOLDER PUSH SOUND knob (1) to select “Phone Setup”, and press the TUNE FOLDER PUSH SOUND knob (1) to determine the selection.
- 4) Turn the TUNE FOLDER PUSH SOUND knob (1) to select “HF Power”, and press the TUNE FOLDER PUSH SOUND knob (1) to determine the selection.
- 5) Turn the TUNE FOLDER PUSH SOUND knob (1) to select “Turn on” or “Turn off” and press the TUNE FOLDER PUSH SOUND knob (1) to determine the selection.

NOTE:

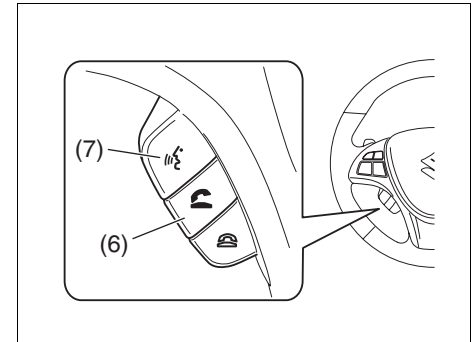
Selection of “Go Back” displays the previous menu.

OTHER CONTROLS AND EQUIPMENT

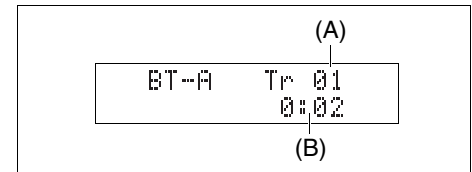
Bluetooth® audio (if equipped)



Hands-free switches



Display



- (1) CD button
- (2) TUNE FOLDER PUSH SOUND knob
- (3) Up button
- (4) Down button
- (5) DISP button
- (6) Off Hook button
- (7) Talk button

- (A) Track number
- (B) Play time

Registration of audio devices (Pair Audio, when no cell phone is registered)

To use Bluetooth®-ready audio devices with this unit, the devices need to be registered.

NOTE:

- To set up a new audio player, disconnect the system from the phone. The phone shall be reconnected after audio player setup is completed.
 - If connection cannot be confirmed within 120 seconds, the connecting operation is canceled. Please try again or refer to the audio player manual for assistance with the pairing process.
- 1) Press the CD button (1) to select Bluetooth® audio mode. "BT-A" is displayed.
 - 2) Press the Talk button (7). The Bluetooth® main menu appears.
 - 3) Turn the TUNE FOLDER PUSH SOUND knob (2) to select "Pair Audio", and press the TUNE FOLDER PUSH SOUND knob (2) to determine the selection.
 - 4) Turn the TUNE FOLDER PUSH SOUND knob (2) to select "Record Name", and press the TUNE FOLDER PUSH SOUND knob (2) to determine

the selection.

- 5) Pronounce the name to be used at voice recognition.
- 6) Turn the TUNE FOLDER PUSH SOUND knob (2) to select "Confirm", and press the TUNE FOLDER PUSH SOUND knob (2) to determine the selection.
- 7) Select "CAR_M.MEDIA" from the Bluetooth® menu of the audio player and make a connection. Refer to the manual of your audio player for further information.
- 8) Enter the Passkey displayed on the system into the audio player.

NOTE:

Selection of "Go Back" displays the previous menu.

Registration of audio devices (Pair Audio, when your cell phone is registered)

To use Bluetooth®-ready audio devices with this unit, the devices need to be registered.

NOTE:

- To set up a new audio player, disconnect the system from the phone. The phone shall be reconnected after audio player setup is completed.
 - If connection cannot be confirmed within 120 seconds, the connecting operation is canceled. Please try again or refer to the audio player manual for assistance with the pairing process.
- 1) Press the Off Hook button (6). The Bluetooth® main menu appears.
 - 2) Turn the TUNE FOLDER PUSH SOUND knob (2) to select "Setup", and press the TUNE FOLDER PUSH SOUND knob (2) to determine the selection.
 - 3) Turn the TUNE FOLDER PUSH SOUND knob (2) to select "BT.A Setup", and press the TUNE FOLDER PUSH SOUND knob (2) to determine the selection.

OTHER CONTROLS AND EQUIPMENT

- 4) Turn the TUNE FOLDER PUSH SOUND knob (2) to select “Record Name”, and press the TUNE FOLDER PUSH SOUND knob (2) to determine the selection.
- 5) Pronounce the name to be used at voice recognition.
- 6) Turn the TUNE FOLDER PUSH SOUND knob (2) to select “Confirm”, and press the TUNE FOLDER PUSH SOUND knob (2) to determine the selection.
- 7) Select “CAR_M.MEDIA” from the Bluetooth® menu of the audio player and make a connection.
Refer to the manual of your audio player for further information.
- 8) Enter the Passkey displayed on the system into the audio player.

NOTE:

Selection of “Go Back” displays the previous menu.

Selecting the bluetooth audio mode

Press the CD button (1).

Each time the button is pressed, the source is switched as follows:



Selecting a group (only for supported-models)

Turn the TUNE FOLDER PUSH SOUND knob (2) to select a group.

Selecting a track

- Press the Up button (3) to listen to the next track.
- Press the Down button (4) twice to listen to the previous track.

When the Down button (4) is pressed once, the track currently being played will start again at the beginning.

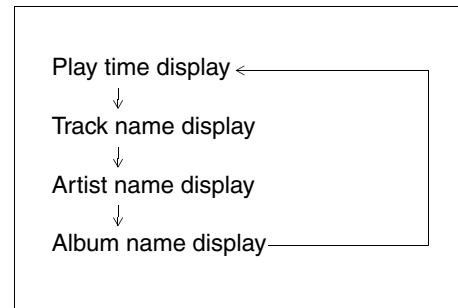
Fast forwarding/Rewinding a track

- Hold in the Up button (3) to advance a track rapidly.
- Hold in the Down button (4) to rewind a track.

Display change

Press the DISP button (5).

Each time it is pressed, display is changed as follows:



NOTE:

If all the text data cannot be displayed, the “>” mark appears at the right end. Holding down the DISP button (5) for 1 sec. or more calls the next page.

Selection of audio device (Select Audio)

The audio device to be used can be selected.

- 1) Press the Off Hook button (6).
The Bluetooth® main menu appears.
- 2) Turn the TUNE FOLDER PUSH SOUND knob (2) to select "Setup", and press the TUNE FOLDER PUSH SOUND knob (2) to determine the selection.
- 3) Turn the TUNE FOLDER PUSH SOUND knob (2) to select "BT.A Setup", and press the TUNE FOLDER PUSH SOUND knob (2) to determine the selection.
- 4) Turn the TUNE FOLDER PUSH SOUND knob (2) to select "Select Audio", and press the TUNE FOLDER PUSH SOUND knob (2) to determine the selection.
- 5) Turn the TUNE FOLDER PUSH SOUND knob (2) to select an audio device to be paired, and press the TUNE FOLDER PUSH SOUND knob (2) to determine the selection.
- 6) Turn the TUNE FOLDER PUSH SOUND knob (2) to select "Confirm", and press the TUNE FOLDER PUSH SOUND knob (2) to determine the selection.

- 7) Turn the TUNE FOLDER PUSH SOUND knob (2) to select "From Car" or "From Audio", and press the TUNE FOLDER PUSH SOUND knob (2) to determine the selection.

"From Car": Makes a pairing from the unit.

"From Audio": Makes a pairing from the audio device.

- 8) Turn the TUNE FOLDER PUSH SOUND knob (2) to select "Confirm", and press the TUNE FOLDER PUSH SOUND knob (2) to determine the selection.

NOTE:

- Selection of "Go Back" displays the previous menu.
- The phone will be disconnected when the Bluetooth®-ready audio device is selected.

Change of audio device name (Change Name)

The registered name of audio devices are changed.

- 1) Press the Off Hook button (6).
The Bluetooth® main menu appears.
- 2) Turn the TUNE FOLDER PUSH SOUND knob (2) to select "Setup", and press the TUNE FOLDER PUSH SOUND knob (2) to determine the selection.
- 3) Turn the TUNE FOLDER PUSH SOUND knob (2) to select "BT.A Setup", and press the TUNE FOLDER PUSH SOUND knob (2) to determine the selection.
- 4) Turn the TUNE FOLDER PUSH SOUND knob (2) to select "Change Name", and press the TUNE FOLDER PUSH SOUND knob (2) to determine the selection.
- 5) Turn the TUNE FOLDER PUSH SOUND knob (2) to select an audio device to be changed, and press the TUNE FOLDER PUSH SOUND knob (2) to determine the selection.
- 6) Turn the TUNE FOLDER PUSH SOUND knob (2) to select "Record Name", and press the TUNE FOLDER PUSH SOUND knob (2) to determine the selection.

OTHER CONTROLS AND EQUIPMENT

- 7) Pronounce the name to be used at voice recognition.
- 8) Turn the TUNE FOLDER PUSH SOUND knob (2) to select “Confirm”, and press the TUNE FOLDER PUSH SOUND knob (2) to determine the selection.

NOTE:

Selection of “Go Back” displays the previous menu.

List of audio devices (List Audio)

The registered name of audio devices are displayed in sequence.

- 1) Press the Off Hook button (6).
The Bluetooth® main menu appears.
- 2) Turn the TUNE FOLDER PUSH SOUND knob (2) to select “Setup”, and press the TUNE FOLDER PUSH SOUND knob (2) to determine the selection.
- 3) Turn the TUNE FOLDER PUSH SOUND knob (2) to select “BT.A Setup”, and press the TUNE FOLDER PUSH SOUND knob (2) to determine the selection.
- 4) Turn the TUNE FOLDER PUSH SOUND knob (2) to select “List Audios”, and press the TUNE FOLDER PUSH SOUND knob (2) to determine the selection.
The names of registered phones are displayed in sequence.

NOTE:

Selection of “Go Back” displays the previous menu.

Passkey setting (Set Passkey)

The security number (Passkey) is specified.

- 1) Press the Off Hook button (6).
The Bluetooth® main menu appears.
- 2) Turn the TUNE FOLDER PUSH SOUND knob (2) to select “Setup”, and press the TUNE FOLDER PUSH SOUND knob (2) to determine the selection.
- 3) Turn the TUNE FOLDER PUSH SOUND knob (2) to select “BT.A Setup”, and press the TUNE FOLDER PUSH SOUND knob (2) to determine the selection.
- 4) Turn the TUNE FOLDER PUSH SOUND knob (2) to select “Set Passkey”, and press the TUNE FOLDER PUSH SOUND knob (2) to determine the selection.
- 5) Turn the TUNE FOLDER PUSH SOUND knob (2) to select a number for ones digit, and press the TUNE FOLDER PUSH SOUND knob (2) to determine the selection. Determine the tens, hundreds, and thousands digits in the same manner.

NOTE:

Selection of “Go Back” displays the previous menu.

Deletion of connection data (Delete Audio)

The registered information of audio device is deleted.

- 1) Press the Off Hook button (6).
The Bluetooth® main menu appears.
- 2) Turn the TUNE FOLDER PUSH SOUND knob (2) to select “Setup”, and press the TUNE FOLDER PUSH SOUND knob (2) to determine the selection.
- 3) Turn the TUNE FOLDER PUSH SOUND knob (2) to select “BT.A Setup”, and press the TUNE FOLDER PUSH SOUND knob (2) to determine the selection.
- 4) Turn the TUNE FOLDER PUSH SOUND knob (2) to select “Delete Audio”, and press the TUNE FOLDER PUSH SOUND knob (2) to determine the selection.
- 5) Turn the TUNE FOLDER PUSH SOUND knob (2) to select an audio device to be deleted, and press the TUNE FOLDER PUSH SOUND knob (2) to determine the selection.
- 6) Turn the TUNE FOLDER PUSH SOUND knob (2) to select “Confirm”, and press the TUNE FOLDER PUSH SOUND knob (2) to determine the selection.

NOTE:

Selection of “Go Back” displays the previous menu.

OTHER CONTROLS AND EQUIPMENT

Voice command for Bluetooth® Hands-Free/Bluetooth® Audio

Voice commands are also available for Bluetooth® Hands-Free functions and Bluetooth® Audio functions. Press the Talk button, and then pronounce a word.

The usable commands are as follows:

NOTE:

- Only “Pair phone” and “Set Passkey” are available before the Registration of cell phones.
- Only “Pair audio player” and “Set Passkey” are available before the Registration of audio devices.

When no cell phone is registered

1st word	Function
“Pair phone”	Telephone connection 1) Pronounce “(phone name)” and “Confirm” to confirm the operation. 2) Pronounce “Phone only” or “Internal audio” and subsequently “Confirm” to confirm the operation.
“Set Passkey”	Passkey setting Pronounce “(4- to 8-digit number)” and “Confirm” to confirm the operation.

When no audio device is registered

1st word	Function
“Pair audio player”	Audio device connection Pronounce “(audio device name)” and “Confirm” to confirm the operation.
“Set Passkey”	Passkey setting Pronounce “(4- to 8-digit number)” and “Confirm” to confirm the operation.

NOTE:

Before using these command, you must disconnect your cell phone and select Bluetooth® audio mode by pressing CD button.

Constant usable voice command

1st word	Function
“Cancel”	A current operation is stopped, and the former state is restored.
“Repeat”	The last voice guidance repeats.
“Go Back”	The state before pressing the Talk button is restored.
“Help”	Available operations are guided.

Voice command during a call

1st word	2nd word	Function
“Mute”	—	Voice transmission is temporarily stopped. Pronouncing “Mute” again restores a normal call.
“Call transfer”	—	A hands-free call is transferred to a cell phone.
“(number)”	“Send”	A tone signal is sent.
(Press one of the preset buttons 1 to 6)		A speed dial number is transmitted in the tone dialing mode.

OTHER CONTROLS AND EQUIPMENT

Bluetooth® Hands-Free/Dialing

1st word	2nd word	3rd word	Function
“(tag name)”	“Dial”	—	Dialing the number of “(name)”
“Redial”	“Dial”	—	Dialing the corresponding number
	“Store”	—	Adding the corresponding number to Phonebook* ¹
	“Delete”	—	Deleting the corresponding number from the record* ¹
	“Previous”	—	Back to the previous number
“Callback”	“Dial”	—	Dialing the corresponding number
	“Store”	—	Adding the corresponding number to Phonebook* ¹
	“Delete”	—	Deleting the corresponding number from the record* ¹
	“Previous”	—	Back to the previous number
“Dial by number”	“(phone number)”	“Dial”	Dialing the number of “(phone number)”
		“Delete”	Canceling the number pronounced a moment ago
		(Press the Off Hook button)	Dialing the number of “(phone number)”
“Dial by name”	“(tag name)”	“Dial”	Dialing the number of “(tag name)”
		(Press the Off Hook button)	Dialing the number of “(tag name)”
	“List names”	(Press the Talk button)	Dialing the number of the telephone that is read at that moment

*1 Subsequently pronounce “Confirm” to implement the operation.

Bluetooth® Hands-Free /Phone book

1st word	2nd word	Function
"Phonebook, add entry"	"By voice"	Adding the number to Phonebook with voice 1) Pronounce "(phone number)" and pronounce "Confirm" to confirm the operation. 2) Pronounce "(tag name)", and pronounce "Confirm" to confirm the operation. 3) If the number is added to the speed dialing list, pronounce "Set speed dial" and hold down one of the preset buttons 1 to 6 for 2 sec. or more. If the number is not added to the speed dialing list, pronounce "Confirm" to confirm the operation.
	"By phone"	Adding the number from the cell phone to Phonebook 1) Make the cell phone ready for this operation, and pronounce "Confirm" to confirm the operation. 2) Pronounce "Previous" or "Next" to select a number, and pronounce "Confirm" to confirm the selection. 3) Pronounce "(tag name)" and pronounce "Confirm" to confirm the operation. 4) If the number is added to the speed dialing list, pronounce "Set speed dial" and hold down one of the preset buttons 1 to 6 for 2 sec. or more. If the number is not added to the speed dialing list, pronounce "Confirm" to confirm the operation.
	"Call history"	Adding the number from the record to Phonebook 1) Pronounce "Incoming" to add the number from the incoming call record, and pronounce "Outgoing" to add the number from the outgoing call record. 2) Pronounce "Previous" or "Next" to select a number, and pronounce "Confirm" to confirm the selection. 3) Pronounce "(tag name)" and pronounce "Confirm" to confirm the operation. 4) If the number is added to the speed dialing list, pronounce "Set speed dial" and hold down one of the preset buttons 1 to 6 for 2 sec. or more. If the number is not added to the speed dialing list, pronounce "Confirm" to confirm the operation.

OTHER CONTROLS AND EQUIPMENT

1st word	2nd word	Function
"Phonebook, change name"	"(tag name)" ^{*1}	Changing the tag name of the number assigned to "(tag name)" ^{*2}
"Phonebook, delete entry"		Deleting the number of "(tag name)" from Phonebook ^{*2}
"Phonebook, list names"	(Press the Talk button)	Dialing the number of the telephone that is read at that moment
"Phonebook, set speed dial"	—	Registering the number in Phonebook on the speed dialing list 1) Pronounce "(tag name)" ^{*3} and "Confirm" to confirm the operation. 2) Hold down one of the preset buttons 1 to 6 for 2 sec. or more and pronounce "Confirm" to confirm the operation.
"Phonebook, delete speed dial"	(Press one of the preset buttons 1 to 6)	Deleting the speed dial registered on the corresponding preset button ^{*2}

*1 When "List phones" is pronounced, telephone names are read in sequence. When the corresponding telephone is read, press the Talk button.

*2 Subsequently pronounce "Confirm" to implement the operation.

*3 When "List names" is pronounced, tag names are read in sequence. When the corresponding tag name is read, press the Talk button.

1st word	2nd word	Function
"Phonebook"	"Phonebook lock"*1	Phonebook is locked. To implement Phonebook locking, pronounce the PIN number and subsequently "Confirm" to implement the locking.
	"Phonebook unlock"	Phonebook is unlocked. To implement Phonebook unlocking, pronounce the PIN number and subsequently "Confirm" to implement the unlocking.
	"Add entry"	= "Phonebook, add entry"
	"Change name"	= "Phonebook, change name"
	"Delete entry"	= "Phonebook, delete entry"
	"List names"	= "Phonebook, list names"
	"Set speed dial"	= "Phonebook, set speed dial"
	"Delete speed dial"	= "Phonebook, delete speed dial"

*1 If a PIN number is not assigned, pronounce "Set PIN" and subsequently a 4-digit PIN number.

OTHER CONTROLS AND EQUIPMENT

Bluetooth® Hands-Free/Set up

1st word	2nd word	3rd word	Function
"Set up"	"Phone setup"	"Pair phone"	Telephone connection 1) Pronounce "(phone name)" and "Confirm" to confirm the operation. 2) Pronounce "Phone only" or "Internal audio" and subsequently "Confirm" to confirm the operation.
		"Select phone"	Telephone selection Pronounce "(phone name)"*1 and "Confirm" to confirm the operation.
		"Change name"	Change of telephone name 1) Pronounce "(phone name)"*1 and "Confirm" to confirm the operation. 2) Pronounce "(new phone name)" and "Confirm" to confirm the operation.
		"List phone"	Reading of telephone names in sequence Pressing the Talk button during reading allows users to select the telephone that is read at the moment, and subsequently pronouncing "Select phone", "Change name", or "Delete phone" allows users to implement each corresponding operation.
		"Set passkey"	Passkey setting Pronounce "(4- to 8-digit number)" and "Confirm" to confirm the operation.
		"Delete phone"	Telephone deletion Pronounce "(phone name)"*1 and "Confirm" to confirm the operation.
		"Handsfree power"	HF On/Off Pronounce "Turn on" to enable HF and "Turn off" to disable HF.

*1 When "List phones" is pronounced, telephone names are read in sequence. When the corresponding telephone is read, press the Talk button.

Bluetooth® Audio

NOTE:
 “Set up” is not available when no cell phone is registered. If audio device is registered and no cell phone is connected, you can use 3rd word in Bluetooth® audio mode.

1st word	2nd word	3rd word	Function
“Set up”	“Bluetooth® audio setup”	“Pair audio player”	Audio device connection Pronounce “(audio device name)” ^{*1} and “Confirm” to confirm the operation.
		“Select audio player”	Audio device selection 1) Pronounce “(audio device name)” ^{*1} and “Confirm” to confirm the operation. 2) Pronounce “From car” for connection from this unit or “From audio” for connection from the audio device and subsequently “Confirm” to confirm the operation.
		“Change name”	Change of audio device name 1) Pronounce “(audio device name)” ^{*1} and “Confirm” to confirm the operation. 2) Pronounce “(new audio device name)” and “Confirm” to confirm the operation.
		“List audio player”	Reading of audio device names in sequence Pressing the Talk button during reading allows users to select the audio device that is read at the moment, and subsequently pronouncing “Select audio player”, “Change name”, or “Delete audio player” allows users to implement each corresponding operation.
		“Set Passkey”	Passkey setting Pronounce “(4- to 8-digit number)” and “Confirm” to confirm the operation.
		“Delete audio player”	Audio device deletion Pronounce “(audio device name)” ^{*1} and “Confirm” to confirm the operation.

^{*1} When “List audio players” is pronounced, audio device names are read in sequence. When the corresponding audio device name is read, press the Talk button.

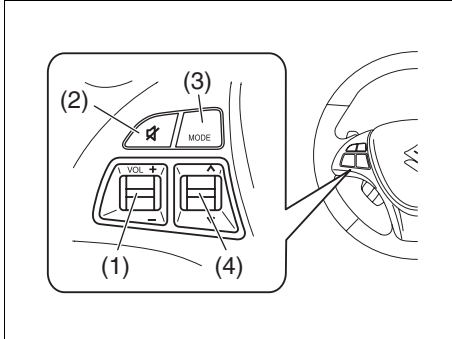
OTHER CONTROLS AND EQUIPMENT

1st word	2nd word	3rd word	Function
"Set up"	"Security"	"Set PIN"	Change of PIN number* ¹ 1) Pronounce "(old PIN number)". 2) Pronounce "(new PIN number)" and "Confirm" to confirm the operation.
		"Phonebook lock"	= "Phonebook" → "Phonebook lock"
		"Phonebook unlock"	= "Phonebook" → "Phonebook unlock"

*1 If a PIN number is not assigned, pronounce a 4-digit PIN number.

Remote Audio Controls

You can control basic functions of the audio system with the switches on the steering wheel.

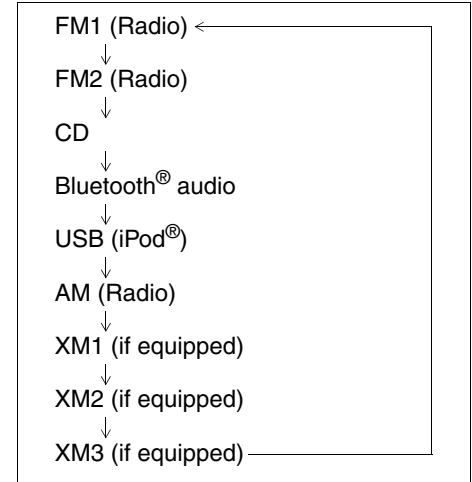


Adjusting the volume

- To increase the volume, lean the VOL switch (1) to the upper side. The volume continues to increase until you release the switch.
- To decrease the volume, lean the VOL switch (1) to the lower side. The volume continues to decrease until you release the switch.
- To mute, press the switch (2).

Selecting the mode

Press the switch (3). Each time the button is pressed, the mode is switched as follows:



You can also turn on the audio system by pushing the switch (3).

OTHER CONTROLS AND EQUIPMENT

Selecting the radio station (FM1, FM2, AM mode)

- To select the next preset station, lean the SEEK switch (4) to the upper side briefly.
- To select the previous preset station, lean the SEEK switch (4) to the lower side briefly.
- To scan to a higher frequency radio station, lean the SEEK switch (4) to the upper side for 1 sec. or longer.
- To scan to a lower frequency radio station, lean the SEEK switch (4) to the lower side for 1 sec. or longer.

Selecting the channel (XM1, XM2, XM3 mode)

- To select the next preset channel, lean the SEEK switch (4) to the upper side briefly.
- To select the previous preset channel, lean the SEEK switch (4) to the lower side briefly.
- To select the next channel in the same category, lean the SEEK switch (4) to the upper side for 1 sec. or longer.
- To select the previous channel in the same category, lean the SEEK switch (4) to the lower side for 1 sec. or longer.

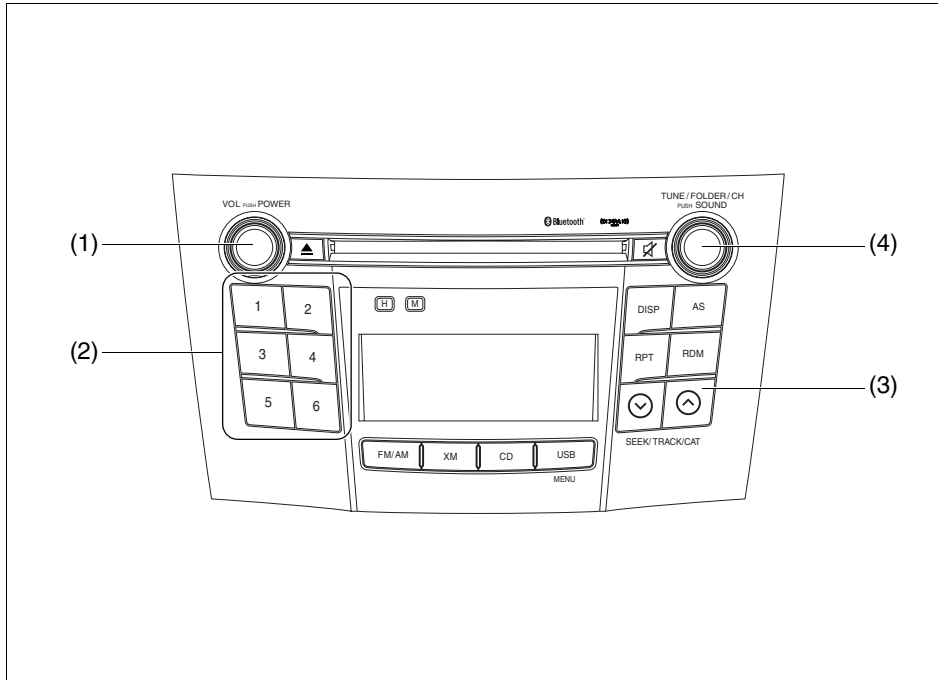
Selecting the track (CD, USB (iPod®), Bluetooth® audio mode)

- To advance to the next track, lean the SEEK switch (4) to the upper side briefly.
- To select the previous track, lean the SEEK switch (4) to the lower side briefly.

Fast forwarding/Rewinding a track

- To advance a track rapidly, lean the SEEK switch (4) to the upper side for 1 sec. or longer
- To rewind a track, lean the SEEK switch (4) to the lower side for 1 sec. or longer.

Anti-Theft Feature



- (1) VOL PUSH POWER knob
- (2) Preset buttons (1 to 6)
- (3) Up button
- (4) TUNE FOLDER PUSH SOUND knob

OTHER CONTROLS AND EQUIPMENT

The anti-theft feature is intended to discourage theft or the audio system by preventing the system from operating when it is moved to a different vehicle.

This feature works by allowing you to enter a Personal Identification Number (PIN).

When the audio system is disconnected from its power source, such as when the audio system is removed or the battery is disconnected, the system will not operate again unless the PIN is reentered.

Setting the Anti-Theft Function

- 1) Press the VOL PUSH POWER knob (1) to power off.
- 2) Press the Preset buttons (2) 1, 6 and VOL PUSH POWER knob (1) simultaneously.
“SECURITY” is displayed.
- 3) Press the Up button (3) and Preset button (2) 1 simultaneously.
- 4) Enter a 4-digit PIN number using the Preset buttons (2) 1-4.
- 5) Hold down TUNE FOLDER PUSH SOUND knob (4) for 1 sec. or more.

NOTE:

Write down your PIN for the future use.

Canceling the anti-theft feature

This operation is to be done when you want to cancel the anti-theft function or change your PIN.

- 1) Press the Preset buttons (2) 1, 6 and the VOL PUSH POWER knob (1) simultaneously.
- 2) Press the Up button (3) and Preset button (2) 1 simultaneously.
- 3) Enter a 4-digit PIN number using the Preset buttons (2) 1-4.
- 4) Hold down the TUNE FOLDER PUSH SOUND knob (4) for 1 sec. or more.

NOTE:

To change your PIN, first delete your current PIN, then set a new one.

Confirming Your Personal Identification Number (PIN)

When the main power source is disconnected such as when you exchange your battery, etc, you will have to confirm your PIN to be able to use the audio system.

- 1) Press the engine switch to change the ignition mode to “ACC”.
- 2) Press the Up button (3) and Preset button (2) 1 simultaneously.
- 3) Enter a 4-digit PIN number using the Preset buttons (2) 1-4.
- 4) Hold down the TUNE FOLDER PUSH SOUND knob (4) for 1 sec. or more.

If the PIN that you input matches the registered PIN, the power of the audio-system will turn off, and you will be able to operate the audio system.

NOTE:

If you input your PIN incorrectly, “ERROR” will be displayed. If you enter an incorrect PIN more than 10 times, “HELP” will be displayed and you can not perform any further operation.

Troubleshooting

If you suspect something wrong, check and take steps as described below.

If the described suggestions do not solve the problem, it is recommended to take the unit to your nearest dealer.

Problem	Possible cause	Possible solution
---------	----------------	-------------------

Common

Unable to operate	The security function is on.	If the unit displays "SECURITY", enter your user ID. If the unit displays "HELP", consult your dealer.
Power is not turned on. (No sound is produced)	Fuse is blown.	Contact your authorized SUZUKI dealer.

Radio

Much noise	The unit is not exactly tuned in to the station.	Tune it in exactly to the station.
Unable to receive by auto tuning	There is no station emitting signals powerful enough.	Pick up a station by manual tuning.

XM

Channel unselectable	No contact with XM Satellite radio Inc.	Refer to the XM's website to sign up for XM Radio service.
----------------------	---	--

CD

Sound skipping or noise	The disc is dirty.	Wipe the disc with a soft cloth.
	The disc has a major flaw or is warped.	Replace the disc with another without flaws.

OTHER CONTROLS AND EQUIPMENT

Problem	Possible cause	Possible solution
---------	----------------	-------------------

MP3/WMA

No playback	The disc has unplayable formatted data.	Check the file format.
Sound skipping or noise	Playing VBR (Variable Bit Rate) files may cause sound skipping.	Play Non-VBR files.

USB

Music is not played back even if the USB device is connected	There is no music stored in a format that is supported on this unit.	Check the file format.
	The current consumption of the USB device exceeds 500 mA.	Use a USB device with a current consumption lower than 500 mA.

Bluetooth®

Pairing failed	The distance between this unit and the Bluetooth®-ready device is too long, or the Bluetooth®-ready device is hidden behind a metallic object from this unit.	Change the location of the Bluetooth®-ready device.
	The Bluetooth® function of the Bluetooth®-ready device is deactivated.	Refer to the Operating Instructions of the Bluetooth®-ready device. (With regard to some devices, the power saving mode is activated after a certain time.)
Cannot receive a call.	Your mobile phone is out of service area.	Drive your car to the service area of your mobile phone.
The voice quality of hands-free is low (Distortion, noise etc.).	There is another wireless device near the unit.	Switch off the wireless device or keep it away from the unit.

Error Display Messages

Display	Possible cause	Possible solution
---------	----------------	-------------------

XM

Ck Antenna	XM antenna unconnected.	Connect the XM antenna.
No Signal	XM broadcasts unreceivable because of poor receiving conditions.	Move to an area where XM broadcasts can be received well.
Ch Off Air	Channel not in service.	This channel is not currently in service. Tune to another channel.
Ch Unavail	Channel unavailable.	This channel is out of service. Tune to another channel.
Ch Unauth	Channel unauthorized.	This channel is not authorized. Tune to another channel.

OTHER CONTROLS AND EQUIPMENT

Display	Possible cause	Possible solution
---------	----------------	-------------------

CD

ERROR 1	The disc cannot be read.	Insert the disc with its label side up. Check the disc that it is not warped and is free of flaws. If ERROR 1 does not go out when a normal disc is inserted, consult your dealer.
ERROR 3	The player developed an error of an unidentified cause.	If CD is inserted in the unit, press the CD eject button to remove the disc. If the disc cannot be ejected, consult your dealer.

USB/iPod®

ERROR 1	No operation by some cause.	Unplug the USB device and plug it again. If ERROR 1 does not go out when a normal disc is inserted, consult your dealer.
ERROR 3	The USB device is disconnected.	Check the connection of the USB device.
ERROR 4	The current consumption of the USB device exceeds 500 mA.	Check the USB device.

OTHER CONTROLS AND EQUIPMENT

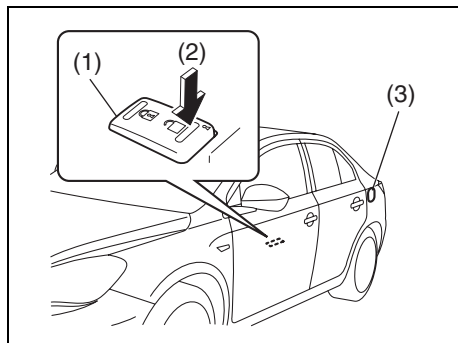
Display	Possible cause	Possible solution
---------	----------------	-------------------

Bluetooth®

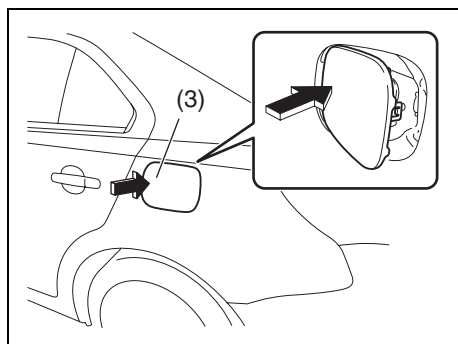
ERROR 1	The player developed an error of an unidentified cause.	Disconnect the Bluetooth®-ready device and connect it again. If ERROR 1 does not go out, consult your dealer.
Failed	Failed to establish pairing	Try to establish the pairing again.
Memory Full	Reaching the upper limit of the registerable device count	Delete the registered data of unnecessary devices and try to establish the pairing again.
Not Avail.	Inoperable during driving	Operate the system after pulling over your car.
Pardon?	Failed voice recognition	Press the Talk button and say what you said again.
Not Linked	Telephone disconnected	Try to establish the pairing again.

OTHER CONTROLS AND EQUIPMENT

Fuel Filler Door



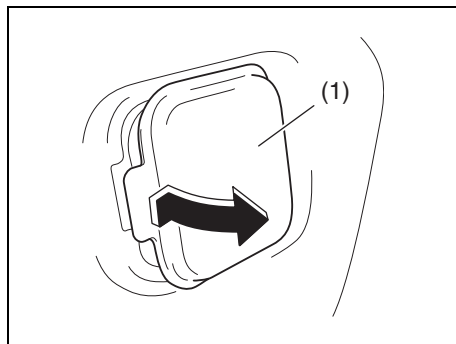
(2) Unlock



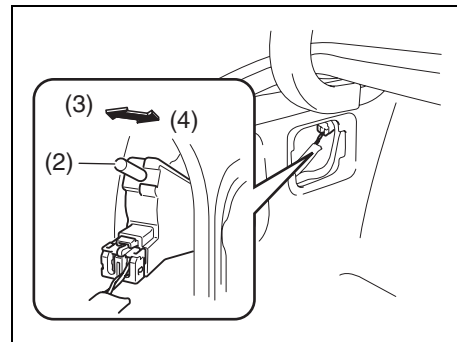
The fuel filler door (3) is located on the left rear side of the vehicle. To access the fuel filler cap, the fuel filler door must be opened by unlocking it using the power door locking switch (1), keyless start system remote controller, request switch, or key and then pushing the fuel filler door (3) at the location indicated by the arrow.

If the fuel filler door fails to open

If the fuel filler door fails to open due to a problem in the system or a flat battery, have the vehicle inspected by an authorized SUZUKI dealer. If you must open the door immediately, do the following.

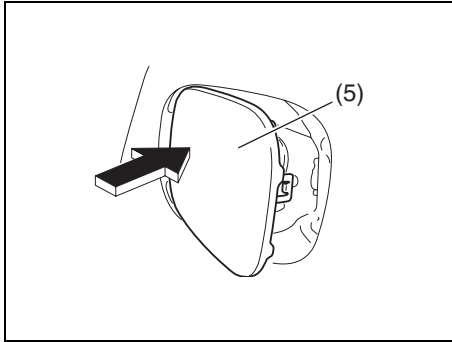


Remove the trim (1) inside the trunk.



Pull the rod (2) toward you. The fuel filler door will be unlocked.
Push the rod inward to lock the door.

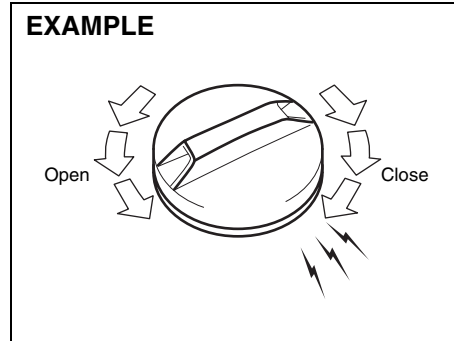
(3) Unlock
(4) Lock



57L51057

From the outside, push the part indicated by the arrow of the fuel filler door (5) (see the illustration). The door will open slightly.

Fuel Filler Cap



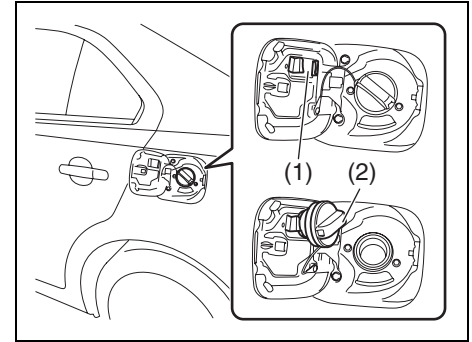
79K053

To remove the fuel filler cap:

- 1) Open the fuel filler door.
- 2) Remove the cap by turning it counter-clockwise.

⚠ WARNING

Remove the fuel filler cap slowly. The fuel may be under pressure and may spray out, causing injury.



57L51019

NOTE:

The cap holder (1) can hold the fuel filler cap (2) when refueling.

To reinstall the fuel filler cap:

- 1) Turn the cap clockwise until you hear several clicks.
- 2) Close the fuel filler door.

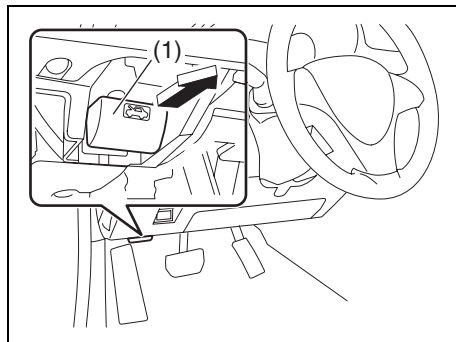
⚠ WARNING

Fuel is extremely flammable. Do not smoke when refueling, and make sure there are no open flames or sparks in the area.

⚠ WARNING

- Avoid spilling fuel. Any spilt fuel must be wiped clean with a soft cloth. Leaving the fuel as is could lead to a fire or other unexpected accident. Fuel will also cause spots, discoloration or cracks on the paintwork in the area.
- Close the fuel filler cap firmly after refueling. A loose cap may cause fuel leakage and eventually a fire.
- If you need to replace the fuel cap, use a genuine SUZUKI cap. Use of an improper cap can result in a malfunction of the fuel system or emission control system. It may also result in fuel leakage in the event of an accident.

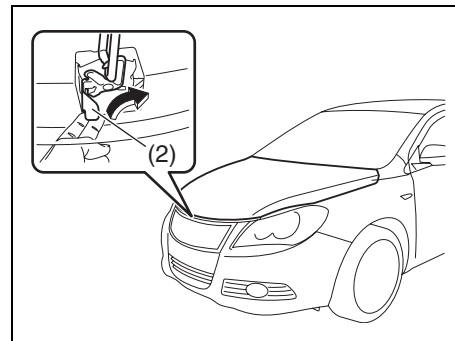
Engine Hood



57L51020

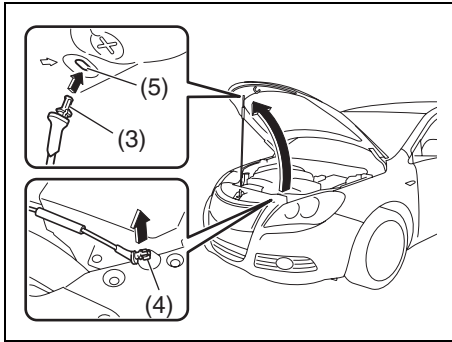
To open the engine hood:

- 1) Pull the hood release handle (1) located on the outboard side of the driver's side of the instrument panel. This will disengage the engine hood lock halfway.



57L51066

- 2) Push the under-hood release lever (2) sideways with your finger, as shown in the illustration. While pushing the lever, lift up the engine hood.



57L50015

- 3) Continue to lift up the hood until it is high enough to support with the prop rod (3).

To close the engine hood:

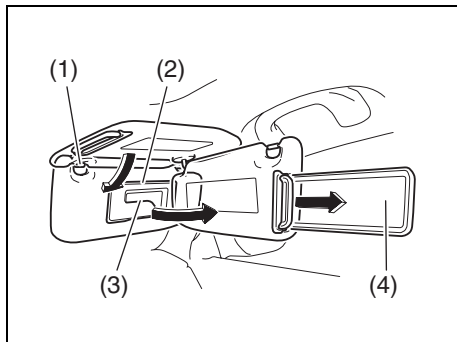
- 1) Lift the hood up slightly and remove the prop rod from the hole (5). Put the prop rod back to the holding clip (4).
- 2) Lower the hood close to the bumper, then let it drop down. Make sure the hood is securely latched after closing.

⚠ WARNING

Make sure the hood is fully closed and latched before driving. If it is not, it can fly up unexpectedly during driving, obstructing your view and resulting in an accident.

OTHER CONTROLS AND EQUIPMENT

Sun Visor



57L50032

- (1) Hook
- (2) Vanity mirror cover
- (3) Ticket holder
- (4) Extension

The sun visors can be pulled down to block glare coming through the windshield, or they can be unhooked and turned to the side to block glare coming through the side window.

The extension (4) can be drawn out to block glare widely.

CAUTION

When unhooking and hooking a sun visor, be sure to handle it by the hard plastic parts or the sun visor can be damaged.

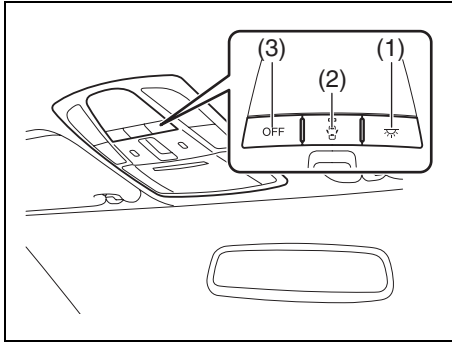
Both the driver's and passenger's sun visors have a ticket holder on the side facing the interior when they are pulled down. The ticket holder is on the vanity mirror cover.

CAUTION

Do not leave cards or similar plastic objects in the ticket holder when parking under the sun. The cabin temperature may rise high enough to cause the plastic objects to crack or deform.

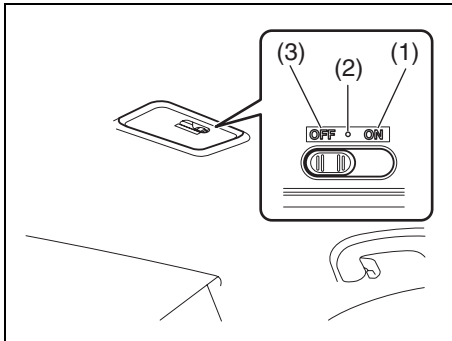
Interior Light Switch

Front



57L51021

Rear



57L51022

The interior light switch has three positions, which functions as described below.

ON (1)

The light comes on and stays on regardless of whether the door is open or closed.

DOOR (2)

The light comes on when the door is opened. After closing all doors, the light will remain on for about 15 seconds and then fade out. If you press the engine switch to change the ignition mode to "ACC" or "ON" during this time, the light will start to fade out immediately. If you change the ignition mode to "LOCK" (OFF) by pressing the engine switch, the light will remain on for about 15 seconds and then go out.

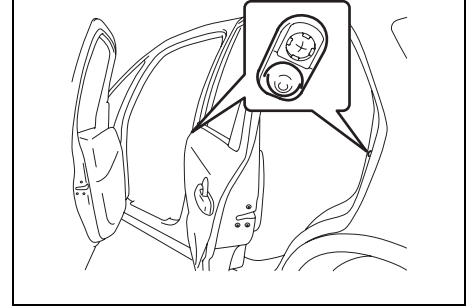
OFF (3)

The light remains off even when the door is opened.

NOTE:

If the rear interior light switch is set to "DOOR", the light is turned on or off at the same time the front interior light is turned on or off.

EXAMPLE



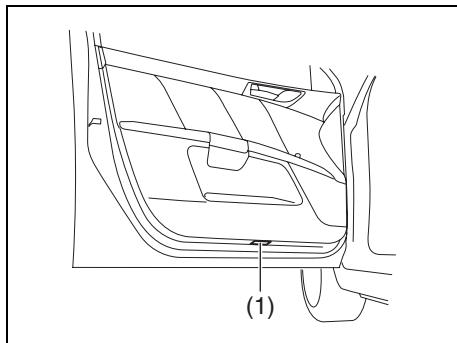
79J075

NOTE:

The number of doors involved in the lighting operation of the interior light depends on the vehicle specification. If there is a switch (rubber projection) at the door opening as shown, the door is involved in the lighting operation. The trunk lid is not involved in this operation.

OTHER CONTROLS AND EQUIPMENT

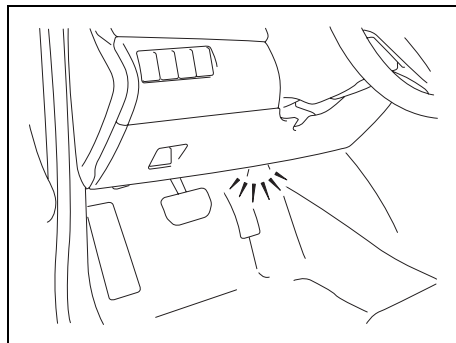
Courtesy Lights



57L51023

Each front door has a courtesy light (1) on its inside bottom. It lights automatically when the door is opened.

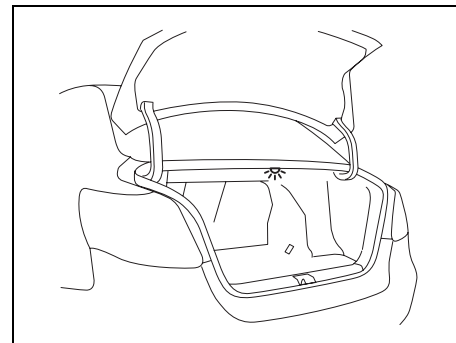
Footwell Lights



57L51024

A footwell light is provided in the leg space in front of each front seat. When a front door is opened, the footwell light on the same side lights automatically.

Trunk Light



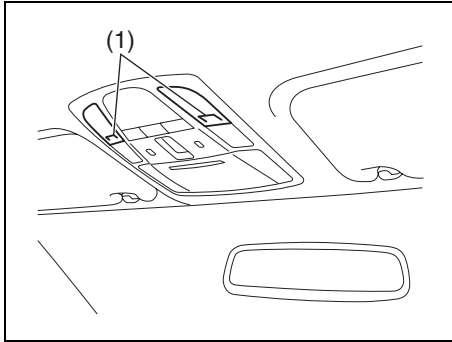
57L50019

When you open the trunk lid, the trunk light comes on and remains on as long as you keep the lid open.

CAUTION

Do not leave the trunk lid open for a long time, or the battery will discharge.

Spot Light

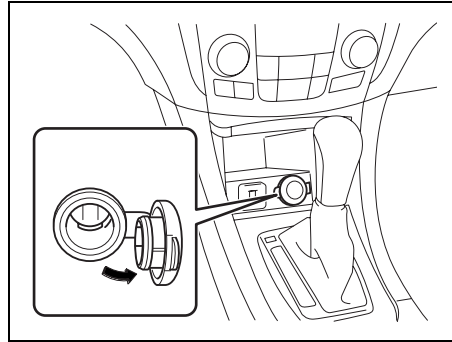


57L51048

Push the switch (1) to turn on the light and push it again to turn off the light.

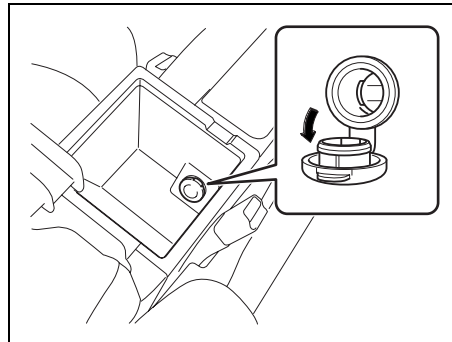
Accessory Socket

Lidded Instrument Panel Box



57L51025

Center Console Box



57L51062

The accessory socket will work when the ignition mode is changed to "ACC" or "ON" by pressing the engine switch.

12-volt accessory sockets are located both on the center console and on the lidded instrument panel box.

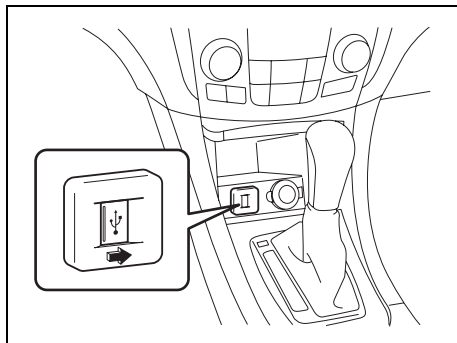
Each socket can be used to provide 12 volt/120 watt power for electrical accessories when used alone. Make sure that the cap remains on the socket when the socket is not in use.

CAUTION

- To prevent the fuse from being blown, when using sockets at the same time, do not exceed the total combined power capacity of 120 watts.
- Use of inappropriate electrical accessories can cause damage to your vehicle's electrical system. Make sure that any electrical accessories you use are designed to plug into this type of socket.
- When an electric device is connected to the accessory socket, close the lid carefully so as not to damage the device or lid.

OTHER CONTROLS AND EQUIPMENT

Universal Serial Bus (USB) Socket



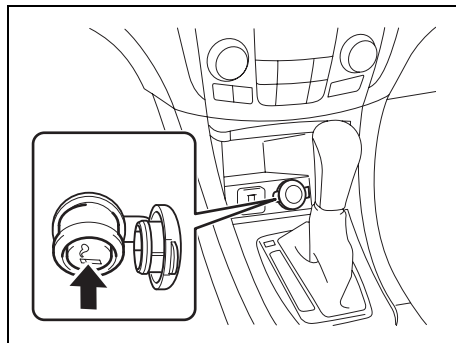
57L51061

Connect your portable digital music player, etc. to this socket to enjoy music through the vehicle's audio system using it as a source. Refer to "Audio Systems" in the "OTHER CONTROL AND EQUIPMENT" section.

CAUTION

If you close the lid of the lidded instrument panel box with a device still connected to the USB socket, the equipment and the socket may be damaged.

Cigarette Lighter (if equipped)



57L51068

The cigarette lighter will work when you press the engine switch to change the ignition mode to "ACC" or "ON".

To use the cigarette lighter, push it all the way into the receptacle and release it. It will automatically heat up and will pop out to its normal position when it is ready for use.

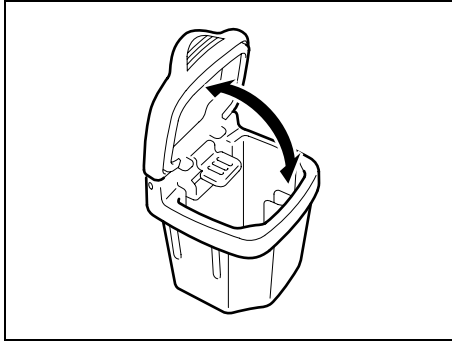
CAUTION

Holding the cigarette lighter in can overheat and damage the lighter. Release the lighter after you push it in.

CAUTION

To avoid damage to the cigarette lighter socket, do not use it as an accessory power source. Some accessories' power plug can damage the inner mechanism of the cigarette lighter socket.

Ashtray (if equipped)

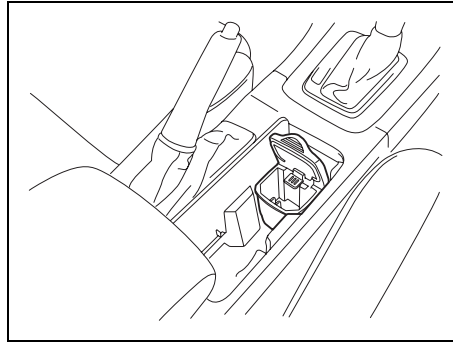


79J047

You can fit the ashtray into any of the cup holders on the center console.

⚠ WARNING

Make sure tobacco is fully extinguished before closing the ashtrays. Never throw waste in the ashtrays: it could create a fire hazard.

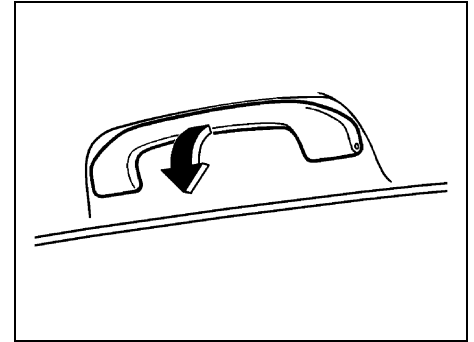


57L51065

CAUTION

When fitting the ashtray into a cup holder on the center console, orient it as shown in the illustration. Doing otherwise may damage the ashtray and/or the center console.

Assist Grips



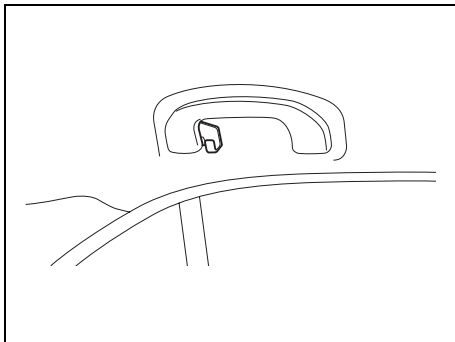
54G249

Assist grips are provided for convenience.

CAUTION

To avoid damaging the assist grip and the molded roof lining, do not hang down the assist grip.

Coat Hooks



57L51049

You can hang clothing on the coat hooks. These hooks are not designed for large or heavy items.

WARNING

Your vehicle is equipped with side curtain air bags, do not hang sharp items like a hanger on the coat hook. When hanging the clothes, hang it on hook without using a hanger.

Sunroof (if equipped)

You can tilt or slide the sunroof by operating the “TILT” part of the sunroof switch or the “SLIDE” part of the sunroof switch after pressing the engine switch to change the ignition mode to “ON”.

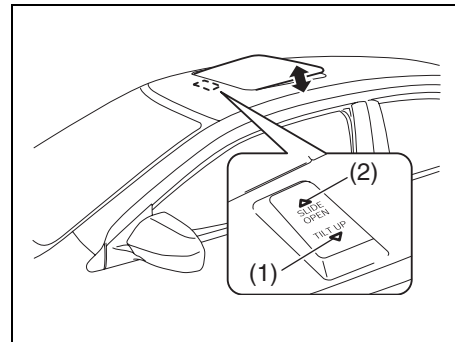
There is a system to prevent being pinched by the sunroof.

When the system senses that something is pinched when the sunroof is sliding forward, the sunroof will automatically reverse direction and slide rearward. This system will operate when the sunroof is closing automatically. This system does not operate when tilting the sunroof down.

Make sure there are no hands or other obstructions in the path of the sunroof when you close the sunroof even though there is a system to prevent being pinched by the sunroof.

WARNING

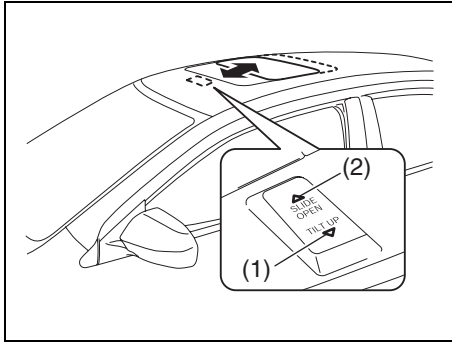
- The system to prevent being pinched by the sunroof does not work in the area where the sunroof is almost completely closed.
- The system to prevent being pinched by the sunroof may not work if the battery is not sufficiently charged.



57L51026

To tilt the sunroof up, slide the sun shade rearward by hand and push the “TILT UP” part (1) of the sunroof switch. To tilt the sunroof down, push the “SLIDE OPEN” part (2) of the sunroof switch.

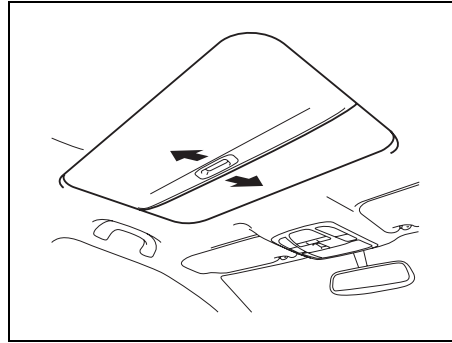
If you push the switch for more than a second, the sunroof will automatically tilt up or down fully. To stop the sunroof halfway, push the switch briefly.



57L51027

To slide the sunroof rearward, push the "SLIDE OPEN" part (2) of the sunroof switch. To slide the sunroof forward, push the "TILT UP" part (1) of the sunroof switch.

If you push the switch for more than a second, the sunroof will automatically slide fully rearward or forward. To stop the sunroof halfway, push the switch briefly.



57L51028

The sun shade will open manually and cannot be closed when the sunroof is slid rearward.

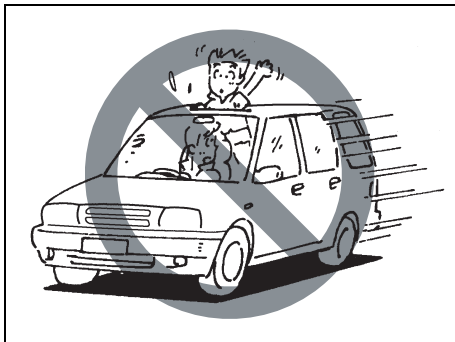
How to reactivate the system to prevent being pinched by the sunroof

When you disconnect the negative (-) terminal from the battery or change the fuses, the features below will not operate.

- The system to prevent being pinched by the sliding sunroof.
- The system to automatically open or close the sunroof fully.

In this case, you must reactivate the features using the following procedures.

- 1) Press the engine switch to change the ignition mode to "ON".
- 2) Push and hold the "TILT UP" part (1) of the sunroof switch, the sunroof will tilt up fully and then down slightly. After the movement stops completely, release the switch. The features are reactivated.
- 3) Make sure you can open or close the sunroof automatically by pushing the sunroof switch for more than about a second.



65D612

⚠ WARNING

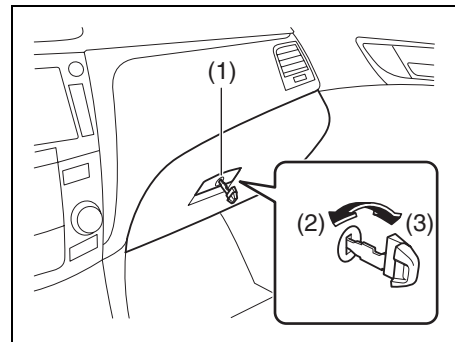
- Never allow any part of your body such as hands or head to get out of the sunroof opening while the vehicle is moving.
- Be sure there are no hands or other obstructions in the path of the sunroof when you close the sunroof.
- Always take the keyless start system remote controller with you when leaving the vehicle even if only for a short time. Also do not leave children alone in a parked vehicle. Unattended children could use the sunroof switches and get trapped by the sunroof.

CAUTION

Do not put your body weight on the roof around the sunroof such as by sitting on it.

- Be sure to close the sunroof when you leave the vehicle unattended.
- Periodically inspect the guide rail for dirt and clean it if any dirt has accumulated.

Glove Box



57L51029

(2) Unlock

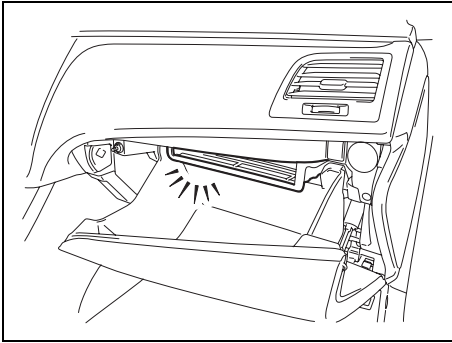
(3) Lock

To open the glove box, pull the latch lever (1). To close it, push the lid until it latches securely.

To lock the glove box, insert the key attached to your keyless start system remote controller into the lock, turn the key fully clockwise, and pull it out of the lock in this position.

⚠ WARNING

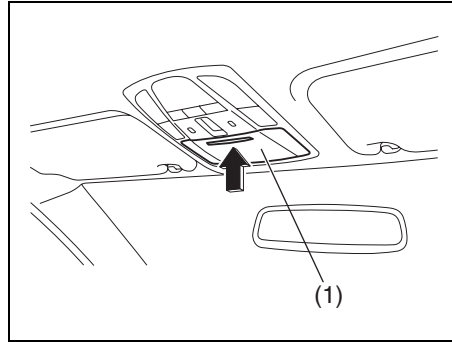
Never drive with the glove box lid open. It could cause injury if an accident occurs.



57L51030

The glove box light stays on while the lid is open.

Overhead Console



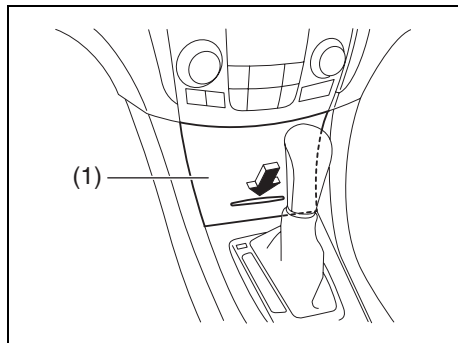
57L51031

Use this stowage to keep small articles. You can open the lid (1) by pressing the raised portion on it.

CAUTION

- Do not drive with the overhead console lid open, or the articles stowed inside could fall down during braking, acceleration or in the event of a collision. Always close the lid after putting something into or taking something out of the console.
- If you park your vehicle outdoors in direct sunlight or in hot weather, the overhead console can get very hot since it is close to the roof. So, when parking in such conditions:
 - Do not leave eyeglasses in the overhead console. The heat may distort plastic lenses or frames.
 - Do not place flammable items, such as a lighter, in the overhead console. The heat may cause a fire.
- Do not apply undue force to the lid when closing it. Doing so could break the lid and articles inside.
- Place glasses in a case when stowing them in the overhead console, or the lenses may be damaged.

Lidded Instrument Panel Box



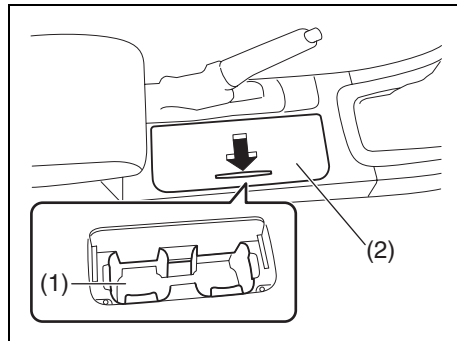
57L51032

Use this storage to keep small articles. You can open the lid (1) by pressing the raised portion on it.

⚠ WARNING

Never drive with the lid of the lidded instrument panel box open. It could cause injury if an accident occurs.

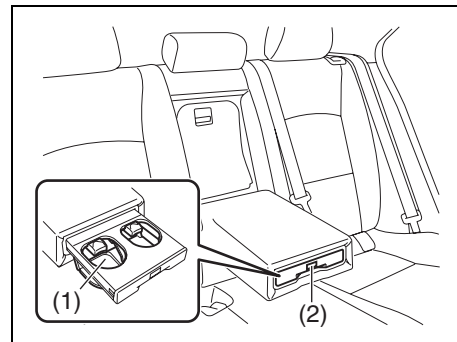
Cup Holder and Storage Area (if equipped)



57L51069

Cup holders (1) are provided in the center console.

You can open the lid (2) by pressing the raised portion on it.



57L51046

The cup holder (1) for rear seat passengers is extended ready for use when the armrest is tilted down and the button (2) is pressed. Push the cup holder backward to store it.

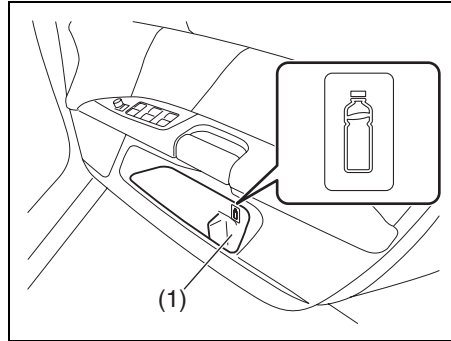
⚠ WARNING

Do not use the cup holder or the storage bin to hold cups containing hot liquids or sharp-edged, hard or breakable objects. Objects in these bins may be thrown about during a sudden stop or impact, and could cause personal injury.

If a drink is spilled over the audio system (if equipped) or electric switches, or if a spilled drink reaches the under-floor wiring or electric components, it could cause the system to malfunction or even a fire, and impair normal operation of the SRS air bag system.

Bottle holder

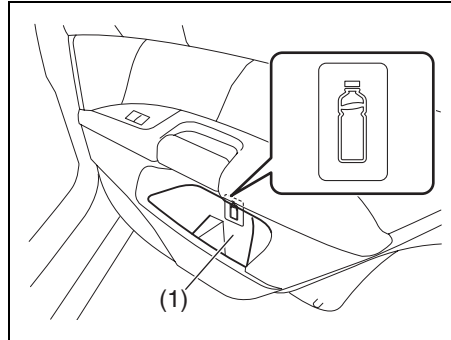
Front



57L50041

(1) Bottle holder

Rear



57L50042

(1) Bottle holder

You should hold a bottle with a cap in the holder.

⚠ WARNING

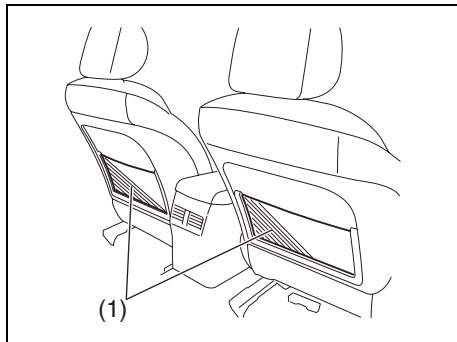
Prevent drink from spilling by capping the bottle as necessary.

If a hot drink is spilled, you may be scalded.

If a drink is spilled over the audio system (if equipped) or electric switches, or if a spilled drink reaches the under-floor wiring or electric components, it could cause the system to malfunction or even a fire, and impair normal operation of the SRS air bag system.

OTHER CONTROLS AND EQUIPMENT

Front Seat Back Pocket (if equipped)



57L50043

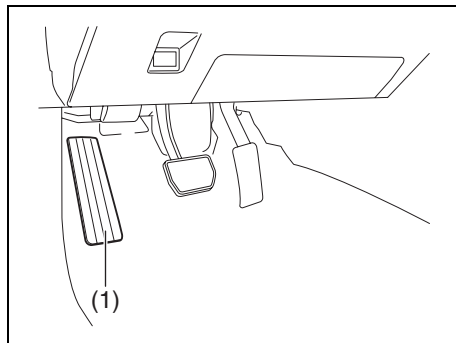
(1) Front seat back pocket

This pocket is provided for holding light and soft things such as gloves, newspapers or magazines.

⚠ WARNING

Do not put hard or breakable objects in the pocket. If an accident occurs, objects such as bottles, cans, etc. can injure the occupants in the rear seat.

Footrest



57L51033

Use the footrest (1) as a support for your left foot.

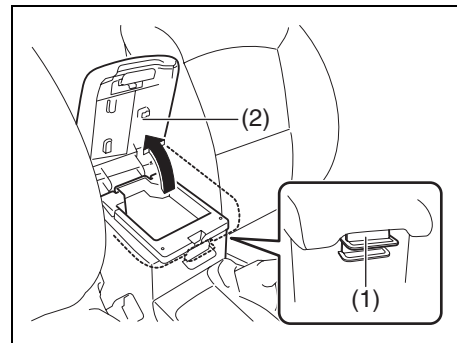
Center Console Box

Use this stowage for keeping small articles.

The box consists of upper and lower compartments. The upper compartment forms a tray, which also serves as a lid of the lower compartment.

Upper compartment

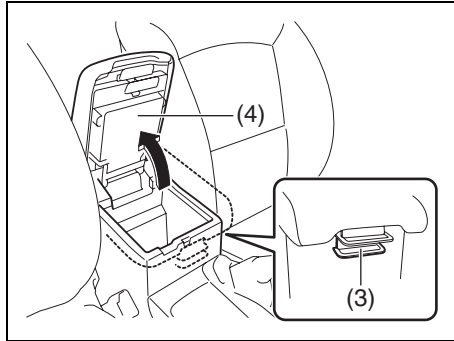
Open the upper compartment by raising the top lid (2) while keeping the lever (1) up.



57L50045

Lower compartment

Open the lower compartment by raising the top lid and tray (4) together while keeping the lever (3) up.



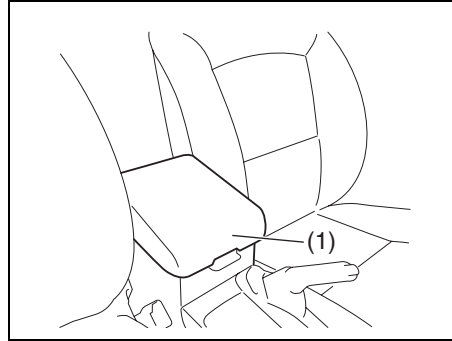
57L51035

NOTE:

- Always close the lid after you put something into or take something out of the box.
- The upper compartment (tray) and lower compartment have slots on their edges so that the cable of an appliance connected to the accessory socket can be led through them. When the top lid or the top lid and tray combination is raised or lowered to open or close the upper or lower compartment, be careful not to trap a cable under it.

Armrest

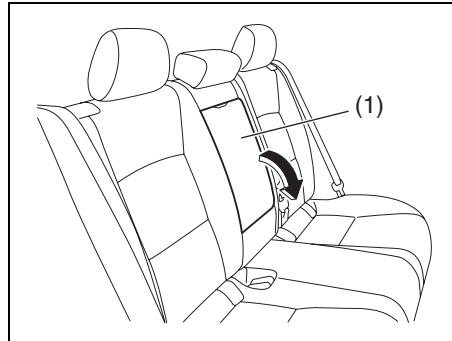
Front



57L50069

The lid of the center console box serves as the front armrest when it is closed.

Rear

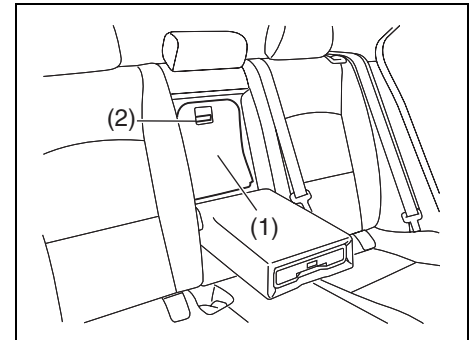


57L51047

The armrest (1) is stowed in the center of the seatback. Tilt it down forward to use.

⚠ WARNING

- The seat belt must always be passed under the armrest. It cannot provide the intended protection if it runs over the armrest.
- In an accident or sudden stop, the rear armrest could fall forward. If there is a child in a rearfacing child restraint in the center seating position, the falling armrest could injure the child. Make sure the armrest is secured in the stowed position when not in use.



57L50070

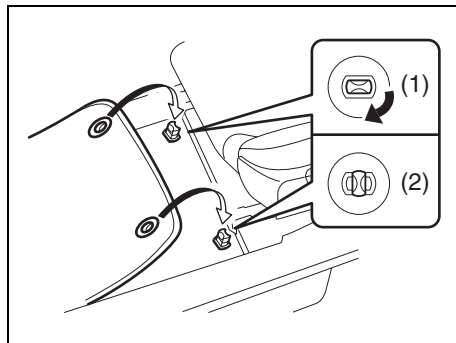
OTHER CONTROLS AND EQUIPMENT

NOTE:

There is a lid (1) behind the armrest stowage in the seatback.

- When carrying a long cargo, the lid (1) can be opened by folding it forward while keeping the lever (2) pressed down.
- When closing the lid (1), raise and push it into position.

Floor Mats (if equipped)



57L51063

(1) UNLOCK

(2) LOCK

Both driver-side and passenger-side floor mats are retained with fasteners to prevent them from sliding forward and possibly interfering with the pedals. Whenever you put the mats back after removing them, correctly position and secure the mats by passing the fastener knob through each hole in the mats and turning it to the lock position as shown in the illustration so that the mats will neatly fit under your feet and the passenger's feet.

When you replace the floor mats in your vehicle with a different type such as all-weather floor mats, we highly recommend using genuine SUZUKI floor mats for proper fitting.

⚠ WARNING

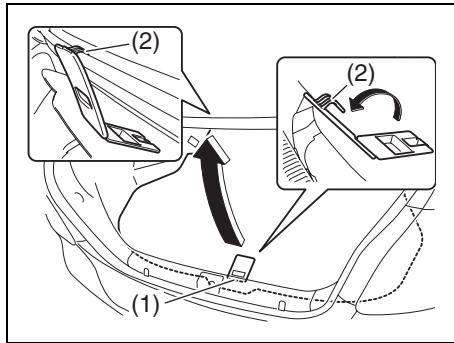
Failure to take the following precautions may result in the driver's side floor mat interfering with the pedals and causing a loss of vehicle control or an accident.

- Make sure that all fastener knobs are in their holes in the floor mats and correctly locked.
- Never place additional floor mats on top of the existing floor mats.

Luggage Under-box

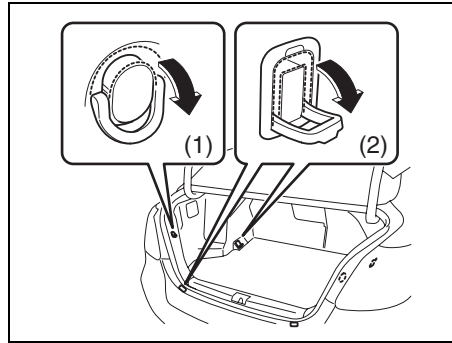
Use this storage for carrying small baggage or the like.

- To access the storage, raise the floorboard by holding the handle (1) on it and hang the hook (2) on the edge of the trunk.



57L51050

Net/Rope Hooks



57L50049

There are two net hooks (1), one on each of the trunk opening sides.

There are four rope hooks (2) provided on the trunk floor.

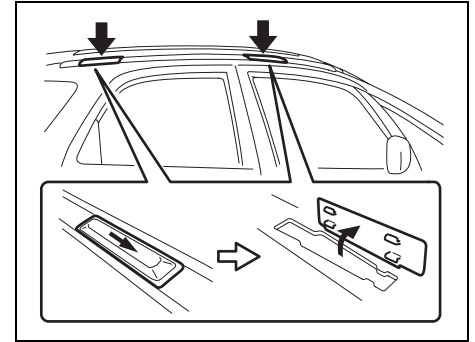
Pull out these hooks to use as shown in the illustration.

An optional rubber net can be hooked to these hooks to help keep cargo from moving around in the luggage compartment during normal driving.

CAUTION

Use the net and rope hooks only for holding light objects.

Roof Rack Anchors (if equipped)



80J082

You can use the roof rack anchors to attach the optional roof rack which is available at your SUZUKI dealer. If you use a roof rack, observe the instructions and precautions in this section and provided with the roof rack.

- Make sure the roof rack is securely installed.
- To mount various types of cargo (such as skis, bicycles, etc.) properly, use suitable attachments which are available from your SUZUKI dealer. Be sure to install the attachments properly and securely according to the instructions provided. Do not mount cargo directly on the roof panel. The cargo can damage the roof panel.

OTHER CONTROLS AND EQUIPMENT

- The gross weight of the roof rack plus cargo must not exceed the loading capacity (50 kg (110 lbs)). Also, do not let the gross vehicle weight (fully loaded vehicle including driver, passengers, cargo, roof load and trailer tongue weight) exceed the Gross Vehicle Weight Rating (GVWR) listed in the driver's door lock pillar.
- Mount and secure the cargo onto the roof rack properly according to the instructions provided. Be sure to stow the heaviest items at the bottom and distribute the cargo as evenly as possible.
- Do not carry items so large that they hang over the bumpers or the sides of the vehicle, or block your view.
- Secure the front and rear ends of long items – such as wood panels, surfboards and so forth – to both the front and rear of the vehicle. You should protect the painted surfaces of the vehicle from scuffing caused by tie-down ropes.
- Check periodically to make sure the roof rack is securely installed and free from damage.
- For vehicles with roof rack anchors, make sure the anchors are covered with the caps when not in use.

WARNING

- **Abrupt maneuvers or failure to properly secure cargo can allow the cargo to fly off the vehicle and hit others, causing personal injury or property damage.**
- **Mount cargo securely and avoid abrupt maneuvers such as “jack-rabbit” starts, sharp turns, fast cornering and sudden braking. Check periodically to make sure that cargo is securely fastened.**
- **Large, bulky, long, or flat items can affect vehicle aerodynamics or be caught by the wind, and can reduce vehicle control resulting in an accident and personal injury. Drive cautiously at a safely reduced speed when carrying this type of cargo.**

HomeLink® (if equipped)



66J092

HomeLink®: HomeLink® is a registered trademark of Johnson Controls Technology Company.

The HomeLink® Wireless Control System provides a convenient way to replace up to three hand-held radio-frequency (RF) transmitters used to activate devices such as gate operators, garage door openers, entry door locks, security systems, even home lighting. Additional HomeLink® information can be found on the Internet at www.homelink.com or by calling 1-800-355-3515.

Before programming HomeLink® to a garage door opener or gate operator, make sure that people and objects are out of the way of the device to prevent potential harm or damage. When programming a garage door opener, it is advised to park outside of the garage. Do not use HomeLink® with any garage door opener that lacks safety stop and reverse features as required by U.S. federal safety standards (this includes

any garage door opener position manufactured before April 1, 1982). A garage door that cannot detect an object – signaling the door to stop and reverse – does not meet current U.S. federal safety standards. For more information, contact HomeLink® at www.homelink.com or by calling 1-800-355-3515.

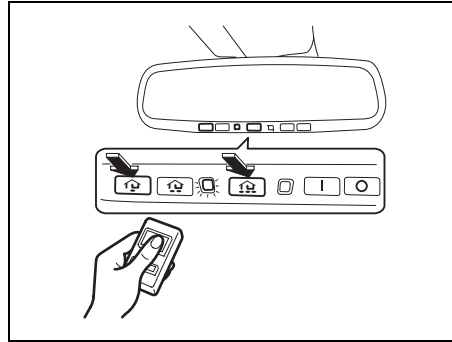
Retain the original transmitter of the RF device you are programming for use in other vehicles as well as for future HomeLink® programming. It is also suggested that upon the sale of the vehicle, the programmed HomeLink® buttons be erased for security purposes. Refer to “Programming HomeLink®” (step 1) only) or, for assistance, contact HomeLink® at www.homelink.com or by calling 1-800-355-3515.

Programming HomeLink®

NOTE:

Some vehicles may require the ignition switch to be turned to the second (or “accessories”) position or the “on” position for programming and/or operation of HomeLink®. It is also recommended that a new battery be placed in the hand-held transmitter of the device being programmed to HomeLink® for quicker training and accurate transmission of the radiofrequency signal. Do not repeat “Programming HomeLink®” – step 1) to train additional devices to a second or third

HomeLink® button. Begin with “Programming HomeLink®” – step 2).



57L51036

- 1) Press and hold the two outer HomeLink® buttons (buttons one and three) – releasing only when the indicator light begins to flash (after 20 seconds). Do not hold the buttons for longer than 30 seconds and do not repeat step 1) to program a second and/or third hand-held transmitter to the remaining two HomeLink® buttons.
- 2) Position the end of your hand-held transmitter 5–14 cm (1–3 inches) away from the HomeLink® button you wish to program while keeping the indicator light in view.
- 3) Simultaneously press and hold both the chosen HomeLink® and hand-held transmitter buttons. Do not release the buttons until step 4) has been completed.

NOTE:

Some gate operators and garage door openers may require you to replace this Programming step 3) with procedures noted in the “Gate Operator / Canadian Programming” section.

- 4) After the HomeLink® indicator light changes from a slow to a rapidly blinking light, release both the HomeLink® and hand-held transmitter buttons.

NOTE:

If the HomeLink® indicator light does not change to a rapidly blinking light, contact HomeLink® at www.homelink.com or call 1-800-355-3515 for assistance.

- 5) Press and hold the just-trained HomeLink® button and observe the indicator light.
 - If the indicator light stays on constantly, programming is complete and your device should activate when the HomeLink® button is pressed and released.

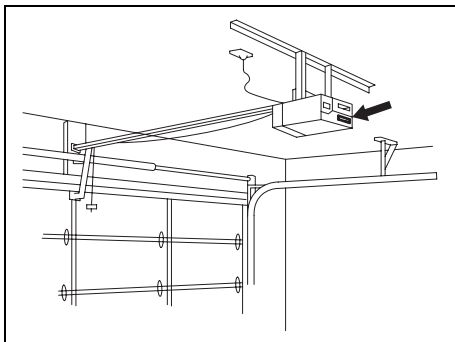
NOTE:

To program the remaining two HomeLink® buttons, begin with “Programming HomeLink®” – step 2). Do not repeat step 1).

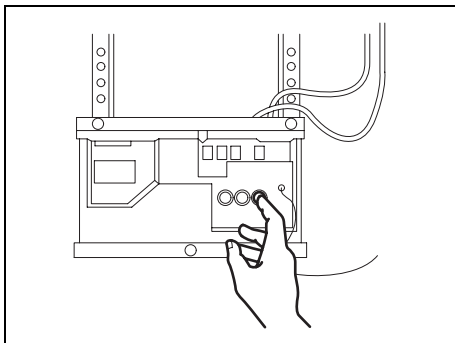
- If the indicator light blinks rapidly for two seconds and then turns to a constant light continue with “Programming

OTHER CONTROLS AND EQUIPMENT

HomeLink[®] steps 6–8 to complete the programming of a rolling code equipped device (most commonly a garage door opener).



66J051



66J052

- 6) At the garage door opener receiver (motor-head unit) in the garage, locate the “learn” or “smart” button. This can usually be found where the hanging antenna wire is attached to the motor-head unit.
- 7) Firmly press and release the “learn” or “smart” button. (The name and color of the button may vary by manufacturer.)

NOTE:

There are 30 seconds in which to initiate step 8).

- 8) Return to the vehicle and firmly press, hold for two seconds and release the programmed HomeLink[®] button. Repeat the “press/hold/release” sequence a second time, and, depending on the brand of the garage door opener (or other rolling code equipped device), repeat this sequence a third time to complete the programming process. HomeLink[®] should now activate your rolling code equipped device.

NOTE:

To program the remaining two HomeLink[®] buttons, begin with “Programming HomeLink[®]” – step 2). Do not repeat step 1).

For questions or comments, please contact HomeLink[®] at www.homelink.com or 1-800-355-3515.

Gate Operator / Canadian Programming

Canadian radio-frequency laws require transmitter signals to “time-out” (or quit) after several seconds of transmission – which may not be long enough for HomeLink[®] to pick up the signal during programming. Similar to this Canadian law, some U.S. gate operators are designed to “time-out” in the same manner.

If you live in Canada or you are having difficulties programming a gate operator by using the Programming procedures (regardless of where you live), replace “Programming HomeLink[®]” step 3) with the following:

NOTE:

If programming a garage door opener or gate operator, it is advised to unplug the device during the “cycling” process to prevent possible overheating.

- 3) Continue to press and hold the HomeLink[®] button while you press and release – every two seconds (“cycle”) your hand-held transmitter until the frequency signal has successfully been accepted by HomeLink[®]. (The indicator light will flash slowly and then rapidly.)

Proceed with “Programming HomeLink[®]” step 4) to complete.

Using HomeLink®

To operate, simply press and release the programmed HomeLink® button. Activation will now occur for the trained device (i.e. garage door opener, gate operator, security system, entry door lock, home/office lighting, etc.). For convenience, the handheld transmitter of the device may also be used at any time. In the event that there are still programming difficulties or questions, contact HomeLink® at www.homelink.com or 1-800-355-3515.

Erasing HomeLink® Buttons

To erase programming from the three buttons (individual buttons cannot be erased but can be “reprogrammed” as outlined below), follow the step noted:

Press and hold the two outer HomeLink® buttons until the indicator light begins to flash-after 20 seconds. Release both buttons. Do not hold for longer than 30 seconds. HomeLink® is now in the train (or learning) mode and can be programmed at any time beginning with “Programming HomeLink®” – step 2).

Reprogramming a Single HomeLink® Button

To program a device to HomeLink® using a HomeLink® button previously trained, follow these steps:

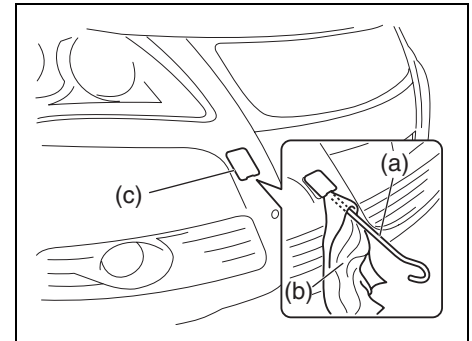
- 1) Press and hold the desired HomeLink® button. DO NOT release the button.
- 2) The indicator light will begin to flash after 20 seconds. Without releasing the HomeLink® button, proceed with “Programming HomeLink®” – step 2).

For questions or comments, contact HomeLink® at www.homelink.com or 1-800-355-3515.

Frame Hooks

Front hook (1)

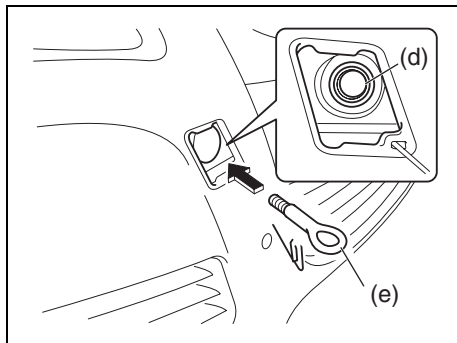
- 1) Take out the necessary tools (jack bar, wheel nut wrench and tow hook) from the onboard tool set.
- 2) Use the end of the jack bar (a) wrapped with a cloth (b) to open the front tow hook cover (c).



57L51037

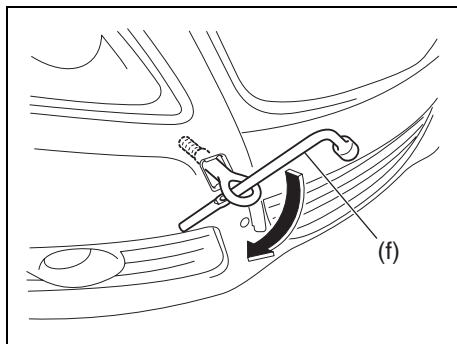
- 3) Insert the tow hook (e) into the tow hook receptacle (d) and screw the hook in as far as it can be turned by hand.

OTHER CONTROLS AND EQUIPMENT



57L51038

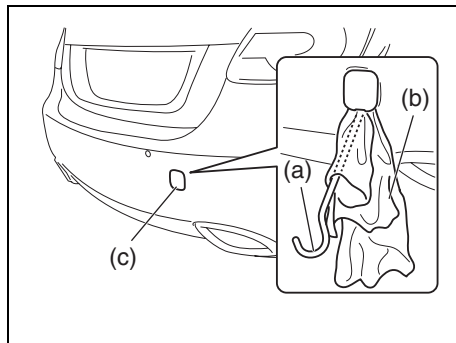
- 4) Further screw in the tow hook using the wheel nut wrench (f) as shown in the illustration to firmly tighten the hook.



57L51039

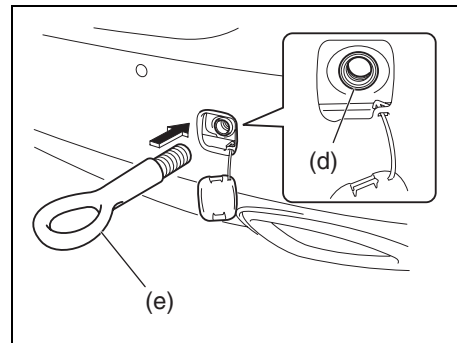
Rear hook (2)

- 1) Take out the necessary tools (jack bar, wheel nut wrench and tow hook) from the onboard tool set.
- 2) Use the end of the jack bar (a) wrapped with a cloth (b) to open the rear tow hook cover (c).



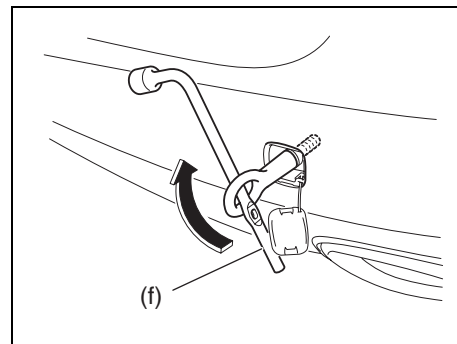
57L51040

- 3) Insert the tow hook (e) into the tow hook receptacle (d) and screw the hook in as far as it can be turned by hand.



57L51041

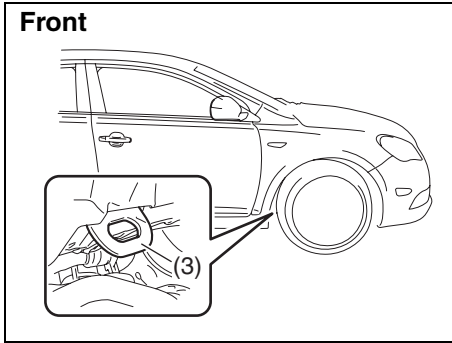
- 4) Further screw in the tow hook using the wheel nut wrench (f) as shown in the illustration to firmly tighten the hook.



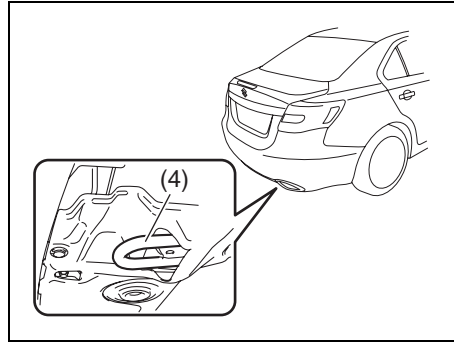
57L51042

Side (3)

Front

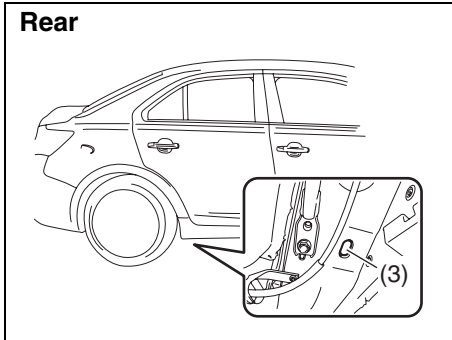


57L51043



57L51045

Rear



57L51044

Frame hooks are provided on the front (1), rear (2) and side (3) of the vehicle. The hooks (1) and (2) are used for emergency situations. The hooks (3) are used for trailer/train shipping purposes. The hook (4) is used for transportation by ship.

To tow your vehicle on the road or highway, follow the instruction of "Towing" in "EMERGENCY SERVICE" section.

⚠ WARNING

Do not use the frame hooks to tow another vehicle or to have your vehicle towed on the road or highway. The hooks (1) and (2) are designed for use in emergency situations only, such as if your vehicle or another vehicle gets stuck in deep mud or snow.

The hooks (3) are provided for trailer/train shipping purpose. The hook (4) is provided for transportation by ship.

CAUTION

Never use the hooks (1) and (2) for transporting the vehicle by a trailer, train or ship, as doing so may damage the vehicle.

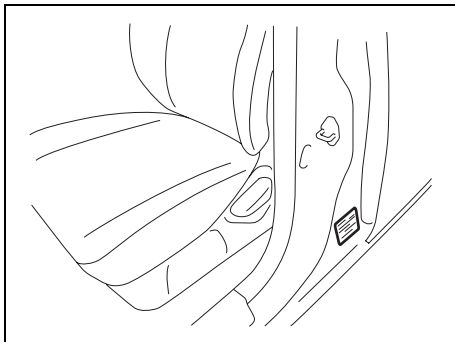
VEHICLE LOADING AND TOWING

Vehicle Loading	6-1
Trailer Towing	6-2
Towing Your Vehicle (recreational towing)	6-2



54G215

Vehicle Loading



57L61001

Your vehicle was designed for specific weight capacities. The weight capacities of your vehicle are indicated by the Gross Vehicle Weight Rating (GVWR), the Gross Axle Weight Rating (GAWR, front and rear) and the Vehicle Capacity Weight. The GVWR and GAWR (front and rear) are listed on the Safety Certification Label which is located below the driver's side door latch striker. The Vehicle Capacity Weight is listed on the Tire Information Label which is located below the Safety Certification Label.

GVWR – Maximum permissible overall weight of the fully loaded vehicle (including all the occupants, accessories and cargo).
GAWR – (Front and Rear) Maximum permissible weight on an individual axle.

Vehicle Capacity Weight – Maximum permissible load weight a vehicle can carry including the weight of all the occupants, accessories and cargo.

The weight of any accessories already installed on your vehicle at the time of purchase, or that you or the dealer install after purchase, must be subtracted from the Vehicle Capacity Weight to determine how much capacity remains available for occupants and cargo. Contact your dealer for further information.

Actual weight of the loaded vehicle and actual loads at the front and rear axles can only be determined by weighing the vehicle using a vehicle scale. To measure the weight and load, try taking your vehicle to a highway weighing station, shipping company or inspection station for trucks, etc. Compare these weights to the GVWR and GAWR (front and rear) listed on the Safety Certification Label. If the gross vehicle weight or the load on either axle exceeds these ratings, you must remove enough weight to bring the load down to the rated capacity.

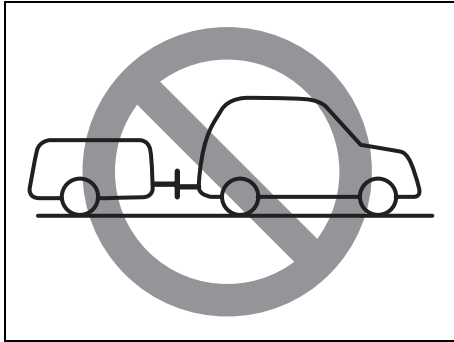
⚠ WARNING

Never overload your vehicle. The gross vehicle weight (sum of the weights of the loaded vehicle, driver and passengers) must never exceed the Gross Vehicle Weight Rating (GVWR) listed on the Safety Certification Label. In addition, never distribute a load so that the weight on either the front or rear axle exceeds the Gross Axle Weight Rating (GAWR) listed on the Safety Certification Label.

⚠ WARNING

- **Always distribute cargo evenly.**
- **To avoid personal injury or damage to your vehicle, always secure cargo to prevent it from shifting if the vehicle moves suddenly.**
- **Place heavier objects on the floor and as far forward in the trunk or in the cargo area as possible.**
- **Never pile cargo higher than the top of the seat backs.**

Trailer Towing



54G639

Do not use your vehicle to tow a trailer. The vehicle is not designed or intended for such use. Towing a trailer can adversely affect handling, durability and fuel economy.

Towing Your Vehicle (recreational towing)

Your vehicle may be towed behind another vehicle (such as a motorhome), provided you use the proper towing method specified for your vehicle. The towing method you must use depends on the specifications of your vehicle: whether it is a 2-wheel drive (2WD) or intelligent All Wheel Drive (i-AWD) vehicle.

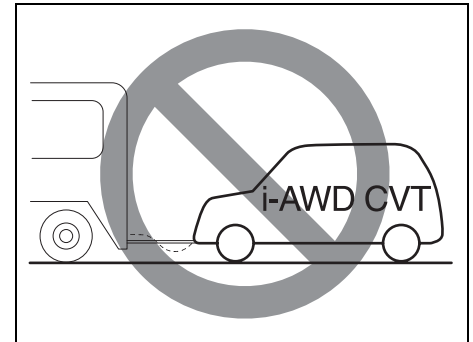
Use the towing instruction table to select the proper towing method for your vehicle, and carefully follow the corresponding instructions. Be sure to use proper towing equipment designed for recreational towing and make sure that towing speed does not exceed 90 km/h (55 mph).

⚠ WARNING

Always use a safety chain when towing your vehicle and be sure to observe federal, state, and local requirements for trailer hitches, tow bars, lights, etc.

TOWING INSTRUCTION TABLE

DRIVE TRAIN	TRANSAXLE	TOWING METHOD
2WD	CVT (AUTO)	A
	M/T (MANUAL)	A B
i-AWD including 2WD mode	CVT	none



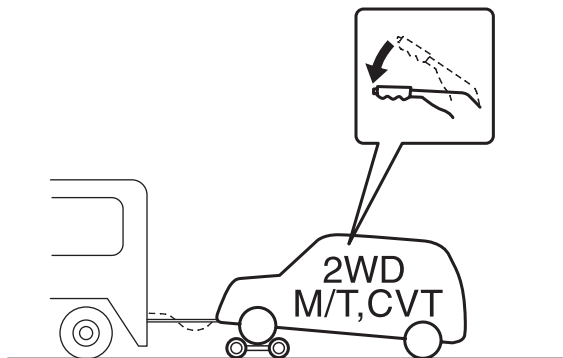
80J2051

CAUTION

For the CVT of intelligent All Wheel Drive (i-AWD) models, don't tow your vehicle behind another vehicle such as a motorhome, or the drive train may be seriously damaged.

TOWING METHOD A

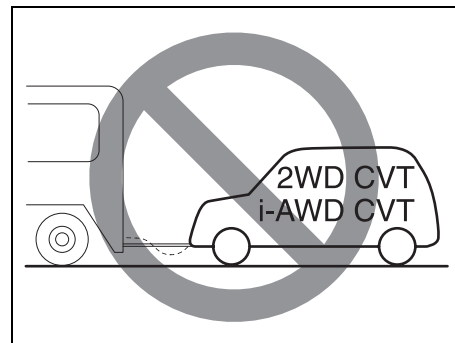
FROM THE FRONT:
FRONT WHEELS ON A DOLLY
AND REAR WHEELS ON THE GROUND



80J2052

A: 2WD (except 2WD mode of i-AWD) VEHICLES WITH MANUAL TRANS- AXLE or CVT

- 1) Secure the front wheels on a towing dolly according to the instructions provided by the dolly manufacturer.
- 2) Release the parking brake.



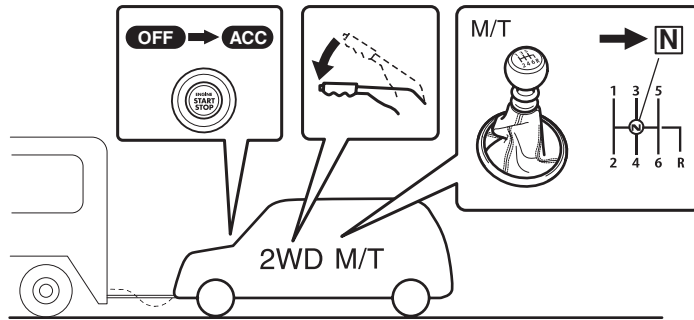
80J2053

CAUTION

Towing the 2WD or i-AWD CVT vehicles with four wheels on the ground can result in damage to the CVT.

TOWING METHOD B

FROM THE FRONT:
FOUR WHEELS ON THE GROUND



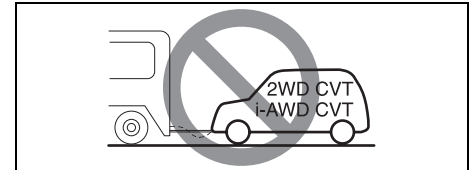
57L61002

B: 2WD VEHICLES WITH MANUAL TRANSAXLE

- 1) Shift the manual transaxle lever or shift lever into neutral.
- 2) Press the engine switch to change the ignition mode to "ACC" to unlock the steering wheel.
- 3) Release the parking brake.

CAUTION

The steering column is not strong enough to withstand shocks transmitted from the front wheels during towing. Always unlock the steering wheel before towing.

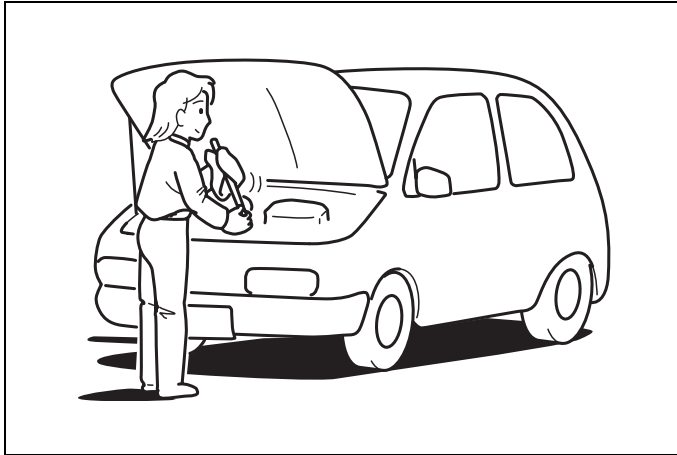


80J2054

CAUTION

Towing the 2WD or i-AWD CVT vehicles with four wheels on the ground can result in damage to the CVT.

INSPECTION AND MAINTENANCE



60G410

Maintenance Schedule	7-2
Periodic Maintenance Schedule except CANADA	7-3
Maintenance Recommended under Severe Driving	
Conditions except CANADA	7-7
Periodic Maintenance Schedule for CANADA	7-11
Drive Belt	7-15
Engine Oil and Filter	7-15
Engine Coolant	7-18
Air Cleaner	7-20
Spark Plugs	7-20
Gear Oil	7-22
Clutch Pedal	7-23
Continuously Variable Transaxle (CVT) Fluid	7-24
Brakes	7-25
Steering Wheel	7-27
Tires	7-28
Battery	7-39
Fuses	7-40
Headlight Aiming	7-44
Bulb Replacement	7-45
Wiper Blades	7-54
Windshield Washer Fluid	7-56
Air Conditioning System	7-57



60A187S

⚠ WARNING

You should take extreme care when working on your vehicle to prevent accidental injury. Here are a few precautions that you should be especially careful to observe:

- To prevent damage or unintended inflation of the air bag system, be sure the battery is disconnected and the engine switch has been pressed to “LOCK” (OFF) and this mode is kept unchanged for at least 90 seconds before performing any electrical service work on your SUZUKI. Do not touch air bag system components or wires. The wires are wrapped with yellow tape or yellow tubing, and the couplers are yellow for easy identification.
- Do not leave the engine running in garages or other confined areas.
- When the engine is running, keep hands, clothing, tools and other objects away from the moving fan and drive belt.
- When it is necessary to do service work with the engine running, make sure that the parking brake is set fully and the transaxle is in Neutral (for manual transaxle vehicles) or Park (for CVT).

(Continued)

⚠ WARNING

(Continued)

- Do not touch ignition wires or other ignition system parts when starting the engine or when the engine is running, or you could receive an electric shock.
- Be careful not to touch a hot engine, exhaust manifold and pipes, muffler, radiator and water hoses.
- Do not allow smoking, sparks or flames around fuel or the battery. Flammable fumes are present.
- Do not get under your vehicle if it is supported only with the portable jack provided in your vehicle.
- Be careful not to cause accidental short circuits between the positive and negative battery terminals.
- Keep used oil, engine coolant and other fluids away from children and pets. Dispose of used fluids properly; never pour them on the ground, into sewers, etc.

NOTICE (for U.S.A.)

Maintenance, replacement or repair of the emission control devices and systems may be performed by any automobile repair establishment or individual using any part which has been certified under the provisions in the Clean Air Act sec. 207. (a) (2).

Maintenance Schedule

The following table shows the times when you should perform regular maintenance on your vehicle. This table shows in miles, kilometers and months when you should perform inspections, adjustments, lubrication and other services. These intervals should be shortened if driving is usually done under severe conditions (refer to "Maintenance Recommended Under Severe Driving Conditions").

⚠ WARNING

SUZUKI recommends that maintenance on items marked with an asterisk (*) be performed by your authorized SUZUKI dealer or a qualified service technician. If you are qualified, you may perform maintenance on the unmarked items by referring to the instructions in this section. If you are not sure whether you can successfully complete any of the unmarked maintenance jobs, ask your authorized SUZUKI dealer to do the maintenance for you.

CAUTION

Whenever it becomes necessary to replace parts on your vehicle, it is recommended that you use genuine SUZUKI replacement parts or their equivalent.

⚠ WARNING

The shock absorbers are filled with high pressure gas. Never attempt to disassemble them or throw them into a fire. Avoid storing them near a heater or heating device. When scrapping the absorber, the gas must be released from the absorber safely. Ask your dealer for assistance.

INSPECTION AND MAINTENANCE

Periodic Maintenance Schedule except CANADA

R: Replace or change

I: Inspect, clean, adjust, lubricate or replace as necessary

Interval: This interval should be judged by odometer reading or months, whichever comes first.	miles (x 1000)	7.5	15	22.5	30	37.5	45	52.5	60	67.5	75
	km (x 1000)	12.5	25	37.5	50	62.5	75	87.5	100	112.5	125
	months	7.5	15	22.5	30	37.5	45	52.5	60	67.5	75
ENGINE & EMISSION CONTROL											
1. Drive belt											
Inspect for damage		-	-	-	I	-	-	-	I	-	-
*2. Valve lash (clearance)		-	-	-	-	-	-	-	I	-	-
3. Engine oil and oil filter		R	R	R	R	R	R	R	R	R	R
*4. Cooling system hoses and connections		-	-	-	I	-	-	-	I	-	-
5. Engine coolant	SUZUKI LLC: Standard (Green)	-	-	-	R	-	-	-	R	-	-
	SUZUKI LLC: Super (Blue) (#1)	First time only: Replace at 150000 km (90000 miles) or 90 months Second time and after: Replace every 75000 km (45000 miles) or 45 months									
*6. Exhaust pipes and mountings		-	-	-	I	-	-	-	I	-	-
*7. EVAP canister		Replace every 250000 km (150000 miles) or 180 months									
*8. Emission-related hoses & tubes		-	-	-	-	-	-	-	I	-	-
9. Spark plugs		-	-	-	-	-	-	-	R	-	-
*10. Ignition coil (plug cap)		-	-	-	I	-	-	-	I	-	-
*11. Fuel tank & cap		-	I	-	I	-	I	-	I	-	I
12. Air cleaner filter element (paved road)		-	-	-	R	-	-	-	R	-	-
*13. Fuel filter		-	-	-	-	-	-	-	-	-	-
*14. Fuel lines and connections		-	-	-	I	-	-	-	I	-	-
*15. Canister air suction filter		Replace every 250000 km (150000 miles) or 180 months									

#1: Be sure to perform the engine coolant level check under the daily inspection in "OPERATING YOUR VEHICLE" section.

If you replace the engine coolant other than the SUZUKI LLC: Super (Blue), follow the schedule of SUZUKI LLC: Standard (Green).

R: Replace or change

I: Inspect, clean, adjust, lubricate or replace as necessary

Interval: This interval should be judged by odometer reading or months, whichever comes first.	miles (x 1000)	82.5	90	97.5	105	112.5	120	127.5	135	142.5	150
	km (x 1000)	137.5	150	162.5	175	187.5	200	212.5	225	237.5	250
	months	82.5	90	97.5	105	112.5	120	127.5	135	142.5	150
ENGINE & EMISSION CONTROL											
1. Drive belt											
Inspect for damage		-	I	-	-	-	I	-	-	-	I
*2. Valve lash (clearance)		-	-	-	-	-	I	-	-	-	-
3. Engine oil and oil filter		R	R	R	R	R	R	R	R	R	R
*4. Cooling system hoses and connections		-	I	-	-	-	I	-	-	-	I
5. Engine coolant	SUZUKI LLC: Standard (Green)	-	R	-	-	-	R	-	-	-	R
	SUZUKI LLC: Super (Blue) (#1)	First time only: Replace at 150000 km (90000 miles) or 90 months Second time and after: Replace every 75000 km (45000 miles) or 45 months									
*6. Exhaust pipes and mountings		-	I	-	-	-	I	-	-	-	I
*7. EVAP canister		Replace every 250000 km (150000 miles) or 180 months									
*8. Emission-related hoses & tubes		-	-	-	-	-	I	-	-	-	I
9. Spark plugs		-	-	-	-	-	R	-	-	-	-
*10. Ignition coil (plug cap)		-	I	-	-	-	I	-	-	-	I
*11. Fuel tank & cap		-	I	-	I	-	I	-	I	-	I (#2)
12. Air cleaner filter element (paved road)		-	R	-	-	-	R	-	-	-	R
*13. Fuel filter		-	-	-	-	-	-	-	-	-	R
*14. Fuel lines and connections		-	I	-	-	-	I	-	-	-	I (#2)
*15. Canister air suction filter		Replace every 250000 km (150000 miles) or 180 months									

#1: Be sure to perform the engine coolant level check under the daily inspection in "OPERATING YOUR VEHICLE" section.

If you replace the engine coolant other than the SUZUKI LLC: Super (Blue), follow the schedule of SUZUKI LLC: Standard (Green).

#2: Inspect at 250000 km (150000 miles) or 180 months.

NOTE:

The maintenance services enclosed with rectangle are recommended maintenance items.

The U.S. Environmental Protection Agency or the California Air Resources Board has determined that the failure to perform recommended maintenance items enclosed with a rectangle will not nullify the emission warranty or limit recall liability prior to the completion of the vehicle's useful life. SUZUKI, however, urges that all recommended maintenance services be performed at the indicated intervals and the maintenance recorded.

INSPECTION AND MAINTENANCE

R: Replace or change

I : Inspect, clean, adjust, lubricate or replace as necessary

Interval: This interval should be judged by odometer reading or months, whichever comes first.	miles (x 1000)	7.5	15	22.5	30	37.5	45	52.5	60	67.5	75
	km (x 1000)	12.5	25	37.5	50	62.5	75	87.5	100	112.5	125
	months	7.5	15	22.5	30	37.5	45	52.5	60	67.5	75
CHASSIS AND BODY											
1. Clutch (for manual transaxle)											
Pedal and fluid level		–	I	–	I	–	I	–	I	–	I
*2. Brake discs and pads	(front, rear)	I	–	I	–	I	–	I	–	I	–
*3. Brake hoses and pipes		I	–	I	–	I	–	I	–	I	–
4. Brake fluid level check, *replacement		–	I	–	I	–	I	–	R	–	I
5. Brake pedal stroke check, *adjustment		–	I	–	I	–	I	–	I	–	I
6. Parking brake lever and *cable											
Lever movement check, *adjustment		I	–	I	–	I	–	I	–	I	–
7. Tires (including tire rotation)		I	I	I	I	I	I	I	I	I	I
8. Wheel discs		I	I	I	I	I	I	I	I	I	I
*9. Suspension system		I	I	I	I	I	I	I	I	I	I
*10. Propeller shafts (i-AWD)/Drive axle boots		I	I	I	I	I	I	I	I	I	I
*11. Manual transaxle oil	Level check & replacement										
	Genuine "SUZUKI GEAR OIL 75W-80"	I	–	–	I	–	I	–	I	–	I
	Other than "SUZUKI GEAR OIL 75W-80"	I	–	–	R	–	I	–	R	–	I
12. Continuously variable transaxle (CVT)	Fluid level	–	I	–	I	–	I	–	I	–	I
	*Fluid hose	–	–	–	–	–	I	–	–	–	–
*13. Transfer oil (i-AWD)		I	–	–	I	–	I	–	R	–	I
*14. Rear differential oil (i-AWD)		R	–	–	I	–	I	–	I	–	I
15. Steering system											
Steering wheel movement,	*linkage	I	I	I	I	I	I	I	I	I	I
16. Power steering (if equipped)		I	I	I	I	I	I	I	I	I	I
17. All latches, hinges and locks		I	I	I	I	I	I	I	I	I	I
18. Air conditioner filter element (if equipped)		–	I	–	R	–	I	–	R	–	I

R: Replace or change

I: Inspect, clean, adjust, lubricate or replace as necessary

Interval: This interval should be judged by odometer reading or months, whichever comes first.	miles (x 1000)	82.5	90	97.5	105	112.5	120	127.5	135	142.5	150
	km (x 1000)	137.5	150	162.5	175	187.5	200	212.5	225	237.5	250
	months	82.5	90	97.5	105	112.5	120	127.5	135	142.5	150
CHASSIS AND BODY											
1. Clutch (for manual transaxle)											
Pedal and fluid level		–	I	–	I	–	I	–	I	–	I
*2. Brake discs and pads	(front, rear)	I	–	I	–	I	–	I	–	I	–
*3. Brake hoses and pipes		I	–	I	–	I	–	I	–	I	–
4. Brake fluid level check, *replacement		–	I	–	I	–	R	–	I	–	I
5. Brake pedal stroke check, *adjustment		–	I	–	I	–	I	–	I	–	I
6. Parking brake lever and *cable											
Lever movement check, *adjustment		I	–	I	–	I	–	I	–	I	–
7. Tires (including tire rotation)		I	I	I	I	I	I	I	I	I	I
8. Wheel discs		I	I	I	I	I	I	I	I	I	I
*9. Suspension system		I	I	I	I	I	I	I	I	I	I
*10. Propeller shafts (i-AWD)/Drive axle boots		I	I	I	I	I	I	I	I	I	I
*11. Manual transaxle oil	Level check & replacement										
	Genuine "SUZUKI GEAR OIL 75W-80"	–	R	–	I	–	I	–	I	–	I
	Other than "SUZUKI GEAR OIL 75W-80"	–	R	–	I	–	R	–	I	–	R
12. Continuously variable transaxle (CVT)	Fluid level	–	I	–	I	–	I	–	I	–	I
	*Fluid hose	–	I	–	–	–	–	–	I	–	–
*13. Transfer oil (i-AWD)		–	I	–	I	–	R	–	I	–	I
*14. Rear differential oil (i-AWD)		–	I	–	I	–	I	–	I	–	I
15. Steering system											
Steering wheel movement,	*linkage	I	I	I	I	I	I	I	I	I	I
16. Power steering (if equipped)		I	I	I	I	I	I	I	I	I	I
17. All latches, hinges and locks		I	I	I	I	I	I	I	I	I	I
18. Air conditioner filter element (if equipped)		–	R	–	I	–	R	–	I	–	R

NOTE:

This table shows the service schedule up to 250000 km (150000 miles).

Beyond 250000 km (150000 miles), perform the same services at the same intervals shown in the chart.

Beyond 250000 km (150000 miles), the maintenance services enclosed with a rectangle are required.

INSPECTION AND MAINTENANCE

Maintenance Recommended under Severe Driving Conditions except CANADA

Follow this schedule if your car is mainly operated under one or more of the following conditions:

- When most trips are less than 6 kilometers (4 miles)
- When most trips are less than 16 kilometers (10 miles) and outside temperature remain below freezing.
- Idling and/or low-speed operation in stop-and-go traffic.
- Operating in dusty areas.

Schedule should also be followed if the car is used for delivery service, police, taxi or other commercial applications.

R: Replace or change

I: Inspect, clean, adjust, lubricate or replace as necessary

Interval: This interval should be judged by odometer reading or months, whichever comes first.	miles (x 1000)	3	6	9	12	15	18	21	24	27	30	33	36	39
	km (x 1000)	5	10	15	20	25	30	35	40	45	50	55	60	65
	months	3	6	9	12	15	18	21	24	27	30	33	36	39
ENGINE & EMISSION CONTROL														
1. Drive belt														
Inspect for damage		-	-	-	-	-	-	-	-	-	I	-	-	-
*2. Valve lash (clearance)														
3. Engine oil and oil filter		R	R	R	R	R	R	R	R	R	R	R	R	R
*4. Cooling system hoses and connections						I					I			
5. Engine coolant	SUZUKI LLC: Standard (Green)										R			
	SUZUKI LLC: Super (Blue) (#1)	First time only: Replace at 150000 km (90000 miles) or 90 months Second time and after: Replace every 75000 km (45000 miles) or 45 months												
*6. Exhaust pipes and mountings						I					I			
*7. EVAP canister		Replace every 250000 km (150000 miles) or 180 months												
*8. Emission-related hoses & tubes														
9. Spark plugs														
*10. Ignition coil (plug cap)											I			
*11. Fuel tank & cap						I					I			
12. Air cleaner filter element (paved road)		I	I	I	I	I	I	I	I	I	R	I	I	I
*13. Fuel filter		Replace every 250000 km (150000 miles) or 150 months												
*14. Fuel lines and connections						I					I			
*15. Canister air suction filter														

#1: Be sure to perform the engine coolant level check under the daily inspection in "OPERATING YOUR VEHICLE" section.

If you replace the engine coolant other than the SUZUKI LLC: Super (Blue), follow the schedule of SUZUKI LLC: Standard (Green).

R: Replace or change

I: Inspect, clean, adjust, lubricate or replace as necessary

Interval: This interval should be judged by odometer reading or months, whichever comes first.	miles (x 1000)	42	45	48	51	54	57	60	63	66	69	72	75
	km (x 1000)	70	75	80	85	90	95	100	105	110	115	120	125
	months	42	45	48	51	54	57	60	63	66	69	72	75
ENGINE & EMISSION CONTROL													
1. Drive belt													
Inspect for damage		-	-	-	-	-	-	I	-	-	-	-	-
*2. Valve lash (clearance)		-	-	-	-	-	-	I	-	-	-	-	-
3. Engine oil and oil filter		R	R	R	R	R	R	R	R	R	R	R	R
*4. Cooling system hoses and connections		-	I	-	-	-	-	I	-	-	-	-	I
5. Engine coolant	SUZUKI LLC: Standard (Green)	-	-	-	-	-	-	R	-	-	-	-	-
	SUZUKI LLC: Super (Blue) (#1)	First time only: Replace at 150000 km (90000 miles) or 90 months Second time and after: Replace every 75000 km (45000 miles) or 45 months											
*6. Exhaust pipes and mountings		-	I	-	-	-	-	I	-	-	-	-	I
*7. EVAP canister		Replace every 250000 km (150000 miles) or 180 months											
*8. Emission-related hoses & tubes		-	-	-	-	-	-	I	-	-	-	-	-
9. Spark plugs		-	-	-	-	-	-	R	-	-	-	-	-
*10. Ignition coil (plug cap)		-	-	-	-	-	-	I	-	-	-	-	-
*11. Fuel tank & cap		-	I	-	-	-	-	I	-	-	-	-	I
12. Air cleaner filter element (paved road)		I	I	I	I	I	I	R	I	I	I	I	I
*13. Fuel filter		Replace every 250000 km (150000 miles) or 150 months											
*14. Fuel lines and connections		-	I	-	-	-	-	I	-	-	-	-	I
*15. Canister air suction filter		-	-	-	-	-	-	-	-	-	-	-	R

#1: Be sure to perform the engine coolant level check under the daily inspection in "OPERATING YOUR VEHICLE" section.
If you replace the engine coolant other than the SUZUKI LLC: Super (Blue), follow the schedule of SUZUKI LLC: Standard (Green).

INSPECTION AND MAINTENANCE

R: Replace or change

I : Inspect, clean, adjust, lubricate or replace as necessary

Interval: This interval should be judged by odometer reading or months, whichever comes first.	miles (x 1000)	3	6	9	12	15	18	21	24	27	30	33	36	39
	km (x 1000)	5	10	15	20	25	30	35	40	45	50	55	60	65
	months	3	6	9	12	15	18	21	24	27	30	33	36	39
CHASSIS AND BODY														
1. Clutch (for manual transaxle)														
Pedal and fluid level		-	-	-	-	I	-	-	-	-	I	-	-	-
*2. Brake discs and pads	(front, rear)	-	I	-	I	-	-	-	I	-	-	-	I	-
*3. Brake hoses and pipes		-	I	-	I	-	-	-	I	-	-	-	I	-
4. Brake fluid level check, *replacement		-	-	-	-	I	-	-	-	-	I	-	-	-
5. Brake pedal stroke check, *adjustment		-	-	-	-	I	-	-	-	-	I	-	-	-
6. Parking brake lever and *cable														
Lever movement check, *adjustment		-	I	-	-	I	-	-	-	-	I	-	-	-
7. Tires (including tire rotation)		-	I	-	I	-	I	-	I	-	I	-	I	-
8. Wheel discs		-	I	-	I	-	I	-	I	-	I	-	I	-
*9. Wheel bearings		-	-	-	I	-	-	-	I	-	-	-	I	-
*10. Suspension system		-	I	-	I	-	I	-	I	-	I	-	I	-
*11. Propeller shafts (i-AWD)/Drive axle boots		-	I	-	I	-	I	-	I	-	I	-	I	-
*12. Manual transaxle oil Level check & replacement														
Genuine "SUZUKI GEAR OIL 75W-80"		-	-	-	-	I	-	-	-	-	I	-	-	-
Other than "SUZUKI GEAR OIL 75W-80"		-	-	-	-	R	-	-	-	-	R	-	-	-
13. Continuously variable transaxle (CVT)														
Fluid level		-	-	-	-	I	-	-	-	-	I	-	-	-
Fluid deterioration check ²		-	-	-	-	I	-	-	-	-	I	-	-	-
*Fluid hose		-	-	-	-	-	-	-	-	-	-	-	-	-
*14. Transfer oil (i-AWD)		-	-	-	-	R	-	-	-	-	R	-	-	-
*15. Rear differential oil (i-AWD)		-	-	-	-	R	-	-	-	-	R	-	-	-
16. Steering system														
Steering wheel movement,	*linkage	-	I	-	I	-	I	-	I	-	I	-	I	-
17. Power steering (if equipped)		-	I	-	I	-	I	-	I	-	I	-	I	-
18. All latches, hinges and locks		-	I	-	I	-	I	-	I	-	I	-	I	-
19. Air conditioner filter element (if equipped)* ¹		-	I	-	I	-	I	-	I	-	R	-	I	-

R: Replace or change

I : Inspect, clean, adjust, lubricate or replace as necessary

Interval: This interval should be judged by odometer reading or months, whichever comes first.	miles (x 1000)	42	45	48	51	54	57	60	63	66	69	72	75
	km (x 1000)	70	75	80	85	90	95	100	105	110	115	120	125
	months	42	45	48	51	54	57	60	63	66	69	72	75
CHASSIS AND BODY													
1. Clutch (for manual transaxle)													
Pedal and fluid level		-	I	-	-	-	-	I	-	-	-	-	I
*2. Brake discs and pads	(front, rear)	-	-	I	-	-	-	I	-	-	-	I	-
*3. Brake hoses and pipes		-	-	I	-	-	-	I	-	-	-	I	-
4. Brake fluid level check, *replacement		-	I	-	-	-	-	R	-	-	-	-	I
5. Brake pedal stroke check, *adjustment		-	I	-	-	-	-	I	-	-	-	-	I
6. Parking brake lever and *cable													
Lever movement check, *adjustment		-	I	-	-	-	-	I	-	-	-	-	I
7. Tires (including tire rotation)		I	-	I	-	I	-	I	-	I	-	I	-
8. Wheel discs		I	-	I	-	I	-	I	-	I	-	I	-
*9. Wheel bearings		-	-	I	-	-	-	I	-	-	-	I	-
*10. Suspension system		I	-	I	-	I	-	I	-	I	-	I	-
*11. Propeller shafts (i-AWD)/Drive axle boots		I	-	I	-	I	-	I	-	I	-	I	-
*12. Manual transaxle oil Level check & replacement													
Genuine "SUZUKI GEAR OIL 75W-80"		-	R	-	-	-	-	I	-	-	-	-	I
Other than "SUZUKI GEAR OIL 75W-80"		-	R	-	-	-	-	R	-	-	-	-	R
13. Continuously variable transaxle (CVT)													
Fluid level		-	I	-	-	-	-	I	-	-	-	-	I
Fluid deterioration check ²		-	I	-	-	-	-	I	-	-	-	-	I
*Fluid hose		-	I	-	-	-	-	-	-	-	-	-	-
*14. Transfer oil (i-AWD)		-	R	-	-	-	-	R	-	-	-	-	R
*15. Rear differential oil (i-AWD)		-	R	-	-	-	-	R	-	-	-	-	R
16. Steering system													
Steering wheel movement,	*linkage	I	-	I	-	I	-	I	-	I	-	I	-
17. Power steering (if equipped)		I	-	I	-	I	-	I	-	I	-	I	-
18. All latches, hinges and locks		I	-	I	-	I	-	I	-	I	-	I	-
19. Air conditioner filter element (if equipped)* ¹		I	-	I	-	I	-	R	-	I	-	I	-

NOTE:

This table shows the service schedule up to 125000 km (75000 miles).

Beyond 125000 km (75000 miles), perform the same services at the same intervals shown in the chart.

^{*1} *Clean more frequently if the air flow from the air conditioner decreases.*

^{*2} *Check or replace as necessary if you usually drive with high speed or high engine revolutions.*

INSPECTION AND MAINTENANCE

Periodic Maintenance Schedule for CANADA

R: Replace or change

I: Inspect, clean, adjust, lubricate or replace as necessary

Interval: This interval should be judged by odometer reading or months, whichever comes first.	miles (x 1000)	3	6	9	12	15	18	21	24	27	30	33	36	39
	km (x 1000)	5	10	15	20	25	30	35	40	45	50	55	60	65
	months	3	6	9	12	15	18	21	24	27	30	33	36	39
ENGINE & EMISSION CONTROL														
1. Drive belt														
Inspect for damage		-	-	-	-	-	-	-	-	-	I	-	-	-
*2. Valve lash (clearance)		-	-	-	-	-	-	-	-	-	-	-	-	-
3. Engine oil and oil filter		R	R	R	R	R	R	R	R	R	R	R	R	R
*4. Cooling system hoses and connections		-	-	-	-	I	-	-	-	-	I	-	-	-
5. Engine coolant	SUZUKI LLC: Standard (Green)	-	-	-	-	-	-	-	-	-	R	-	-	-
	SUZUKI LLC: Super (Blue) (#1)	First time only: Replace at 150000 km (90000 miles) or 90 months Second time and after: Replace every 75000 km (45000 miles) or 45 months												
*6. Exhaust pipes and mountings		-	-	-	-	I	-	-	-	-	I	-	-	-
*7. EVAP canister		Replace every 250000 km (150000 miles) or 180 months												
*8. Emission-related hoses & tubes		-	-	-	-	-	-	-	-	-	-	-	-	-
9. Spark plugs		-	-	-	-	-	-	-	-	-	-	-	-	-
*10. Ignition coil (plug cap)		-	-	-	-	-	-	-	-	-	I	-	-	-
*11. Fuel tank & cap		-	-	-	-	I	-	-	-	-	I	-	-	-
12. Air cleaner filter element (paved road)		I	I	I	I	I	I	I	I	I	R	I	I	I
*13. Fuel filter		Replace every 250000 km (150000 miles) or 150 months												
*14. Fuel lines and connections		-	-	-	-	I	-	-	-	-	I	-	-	-
*15. Canister air suction filter		-	-	-	-	-	-	-	-	-	-	-	-	-

#1: Be sure to perform the engine coolant level check under the daily inspection in "OPERATING YOUR VEHICLE" section.

If you replace the engine coolant other than the SUZUKI LLC: Super (Blue), follow the schedule of SUZUKI LLC: Standard (Green).

R: Replace or change

I: Inspect, clean, adjust, lubricate or replace as necessary

Interval: This interval should be judged by odometer reading or months, whichever comes first.	miles (x 1000)	42	45	48	51	54	57	60	63	66	69	72	75
	km (x 1000)	70	75	80	85	90	95	100	105	110	115	120	125
	months	42	45	48	51	54	57	60	63	66	69	72	75
ENGINE & EMISSION CONTROL													
1. Drive belt													
Inspect for damage		-	-	-	-	-	-	I	-	-	-	-	-
*2. Valve lash (clearance)		-	-	-	-	-	-	I	-	-	-	-	-
3. Engine oil and oil filter		R	R	R	R	R	R	R	R	R	R	R	R
*4. Cooling system hoses and connections		-	I	-	-	-	-	I	-	-	-	-	I
5. Engine coolant	SUZUKI LLC: Standard (Green)	-	-	-	-	-	-	R	-	-	-	-	-
	SUZUKI LLC: Super (Blue) (#1)	First time only: Replace at 150000 km (90000 miles) or 90 months Second time and after: Replace every 75000 km (45000 miles) or 45 months											
*6. Exhaust pipes and mountings		-	I	-	-	-	-	I	-	-	-	-	I
*7. EVAP canister		Replace every 250000 km (150000 miles) or 180 months											
*8. Emission-related hoses & tubes		-	-	-	-	-	-	I	-	-	-	-	-
9. Spark plugs		-	-	-	-	-	-	R	-	-	-	-	-
*10. Ignition coil (plug cap)		-	-	-	-	-	-	I	-	-	-	-	-
*11. Fuel tank & cap		-	I	-	-	-	-	I	-	-	-	-	I
12. Air cleaner filter element (paved road)		I	I	I	I	I	I	R	I	I	I	I	I
*13. Fuel filter		Replace every 250000 km (150000 miles) or 150 months											
*14. Fuel lines and connections		-	I	-	-	-	-	I	-	-	-	-	I
*15. Canister air suction filter		-	-	-	-	-	-	-	-	-	-	-	R

#1: Be sure to perform the engine coolant level check under the daily inspection in "OPERATING YOUR VEHICLE" section.

If you replace the engine coolant other than the SUZUKI LLC: Super (Blue), follow the schedule of SUZUKI LLC: Standard (Green).

INSPECTION AND MAINTENANCE

R: Replace or change

I : Inspect, clean, adjust, lubricate or replace as necessary

Interval: This interval should be judged by odometer reading or months, whichever comes first.	miles (x 1000)	3	6	9	12	15	18	21	24	27	30	33	36	39
	km (x 1000)	5	10	15	20	25	30	35	40	45	50	55	60	65
	months	3	6	9	12	15	18	21	24	27	30	33	36	39
CHASSIS AND BODY														
1. Clutch (for manual transaxle)														
Pedal and fluid level		-	-	-	-	I	-	-	-	-	I	-	-	-
*2. Brake discs and pads	(front, rear)	-	I	-	I	-	-	-	I	-	-	-	I	-
*3. Brake hoses and pipes		-	I	-	I	-	-	-	I	-	-	-	I	-
4. Brake fluid level check, *replacement		-	-	-	-	I	-	-	-	-	I	-	-	-
5. Brake pedal stroke check, *adjustment		-	-	-	-	I	-	-	-	-	I	-	-	-
6. Parking brake lever and *cable														
Lever movement check, *adjustment		-	I	-	-	I	-	-	-	-	I	-	-	-
7. Tires (including tire rotation)		-	I	-	I	-	I	-	I	-	I	-	I	-
8. Wheel discs		-	I	-	I	-	I	-	I	-	I	-	I	-
*9. Wheel bearings		-	-	-	I	-	-	-	I	-	-	-	I	-
*10. Suspension system		-	I	-	I	-	I	-	I	-	I	-	I	-
*11. Propeller shafts (i-AWD)/Drive axle boots		-	I	-	I	-	I	-	I	-	I	-	I	-
*12. Manual transaxle oil Level check & replacement														
Genuine "SUZUKI GEAR OIL 75W-80"		-	-	-	-	I	-	-	-	-	I	-	-	-
Other than "SUZUKI GEAR OIL 75W-80"		-	-	-	-	R	-	-	-	-	R	-	-	-
13. Continuously variable transaxle (CVT)														
Fluid level		-	-	-	-	I	-	-	-	-	I	-	-	-
Fluid deterioration check ²		-	-	-	-	I	-	-	-	-	I	-	-	-
*Fluid hose		-	-	-	-	-	-	-	-	-	-	-	-	-
*14. Transfer oil (i-AWD)		-	-	-	-	R	-	-	-	-	R	-	-	-
*15. Rear differential oil (i-AWD)		-	-	-	-	R	-	-	-	-	R	-	-	-
16. Steering system														
Steering wheel movement,	*linkage	-	I	-	I	-	I	-	I	-	I	-	I	-
17. Power steering (if equipped)		-	I	-	I	-	I	-	I	-	I	-	I	-
18. All latches, hinges and locks		-	I	-	I	-	I	-	I	-	I	-	I	-
19. Air conditioner filter element (if equipped) ^{*1}		-	I	-	I	-	I	-	I	-	R	-	I	-

R: Replace or change

I : Inspect, clean, adjust, lubricate or replace as necessary

Interval: This interval should be judged by odometer reading or months, whichever comes first.	miles (x 1000)	42	45	48	51	54	57	60	63	66	69	72	75
	km (x 1000)	70	75	80	85	90	95	100	105	110	115	120	125
	months	42	45	48	51	54	57	60	63	66	69	72	75
CHASSIS AND BODY													
1. Clutch (for manual transaxle)													
Pedal and fluid level		-	I	-	-	-	-	I	-	-	-	-	I
*2. Brake discs and pads	(front, rear)	-	-	I	-	-	-	I	-	-	-	I	-
*3. Brake hoses and pipes		-	-	I	-	-	-	I	-	-	-	I	-
4. Brake fluid level check, *replacement		-	I	-	-	-	-	R	-	-	-	-	I
5. Brake pedal stroke check, *adjustment		-	I	-	-	-	-	I	-	-	-	-	I
6. Parking brake lever and *cable													
Lever movement check, *adjustment		-	I	-	-	-	-	I	-	-	-	-	I
7. Tires (including tire rotation)		I	-	I	-	I	-	I	-	I	-	I	-
8. Wheel discs		I	-	I	-	I	-	I	-	I	-	I	-
*9. Wheel bearings		-	-	I	-	-	-	I	-	-	-	I	-
*10. Suspension system		I	-	I	-	I	-	I	-	I	-	I	-
*11. Propeller shafts (i-AWD)/Drive axle boots		I	-	I	-	I	-	I	-	I	-	I	-
*12. Manual transaxle oil Level check & replacement													
Genuine "SUZUKI GEAR OIL 75W-80"		-	R	-	-	-	-	I	-	-	-	-	I
Other than "SUZUKI GEAR OIL 75W-80"		-	R	-	-	-	-	R	-	-	-	-	R
13. Continuously variable transaxle (CVT)													
Fluid level		-	I	-	-	-	-	I	-	-	-	-	I
Fluid deterioration check ²		-	I	-	-	-	-	I	-	-	-	-	I
*Fluid hose		-	I	-	-	-	-	-	-	-	-	-	-
*14. Transfer oil (i-AWD)		-	R	-	-	-	-	R	-	-	-	-	R
*15. Rear differential oil (i-AWD)		-	R	-	-	-	-	R	-	-	-	-	R
16. Steering system													
Steering wheel movement,	*linkage	I	-	I	-	I	-	I	-	I	-	I	-
17. Power steering (if equipped)		I	-	I	-	I	-	I	-	I	-	I	-
18. All latches, hinges and locks		I	-	I	-	I	-	I	-	I	-	I	-
19. Air conditioner filter element (if equipped)* ¹		I	-	I	-	I	-	R	-	I	-	I	-

NOTE:

This table shows the service schedule up to 125000 km (75000 miles).

Beyond 125000 km (75000 miles), perform the same services at the same intervals shown in the chart.

^{*1} *Clean more frequently if the air flow from the air conditioner decreases.*

^{*2} *Check or replace as necessary if you usually drive with high speed or high engine revolutions.*

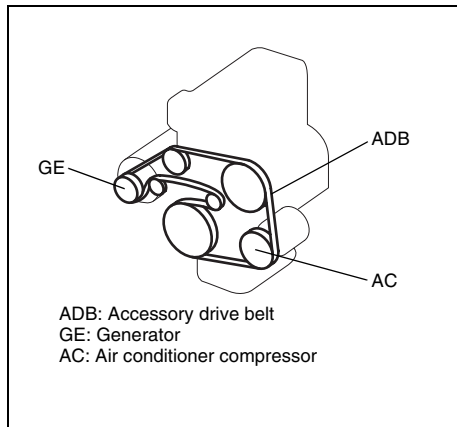
Drive Belt

⚠ WARNING

When the engine is running, keep hands, hair, clothing, tools, etc. away from the moving fan and drive belts.

Check the accessory drive belt only for damage. You do not need check it for tension as it has an automatic tensioner.

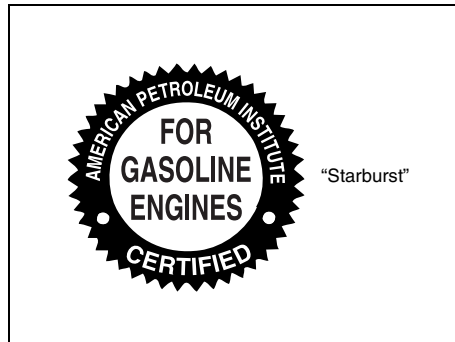
If you need to replace or adjust the belt have it done by your SUZUKI dealer.



57L71001

Engine Oil and Filter

Specified Oil



80JC103

Use engine oil with the American Petroleum Institute Certified For Gasoline Engines "Starburst" symbol.

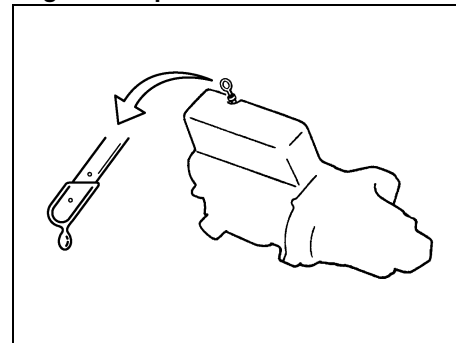
We highly recommend you use SAE 5W-30 oil.

CAUTION

Failure to use the recommended oil can result in engine damage.

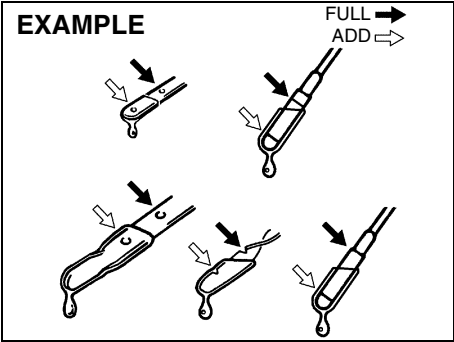
Oil Level Check

Engine oil dipstick



80G064

It is important to keep the engine oil at the correct level for proper lubrication of your vehicle's engine. Check the oil level with the vehicle on a level surface. The oil level indication may be inaccurate if the vehicle is on a slope. The oil level should be checked either before starting the engine or at least 5 minutes after stopping the engine.



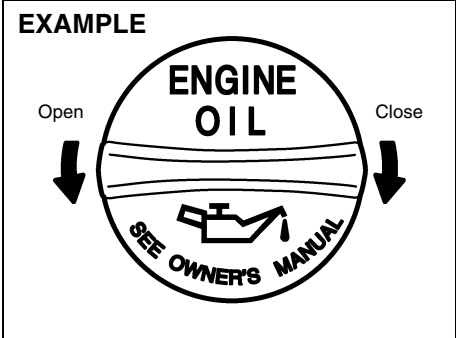
52D084

The handle of the engine oil dipstick is colored yellow for easy identification.

Pull out the oil dipstick, wipe oil off with a clean cloth, insert the dipstick all the way into the engine, then remove it again. The oil on the stick should be between the upper and lower limits shown on the stick.

If the oil level indication is near the lower limit, add enough oil to raise the level to the upper limit.

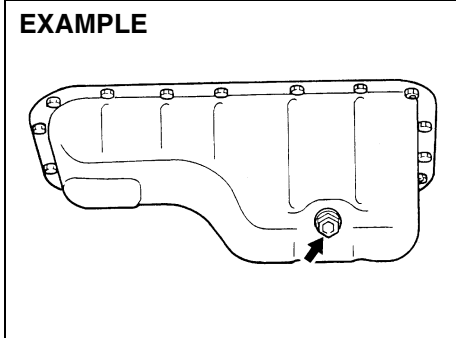
Refilling



81A147

Remove the oil filler cap and pour oil slowly through the filler hole to bring the oil level to the upper limit on the dipstick. Be careful not to overfill. Too much oil is almost as bad as too little oil. After refilling, start the engine and allow it to idle for about a minute. Stop the engine, wait about 5 minutes and check the oil level again.

Changing Engine Oil and Filter



60G306

Drain the engine oil while the engine is still warm.

- 1) Remove the oil filler cap.
- 2) Remove the engine under cover.
- 3) Place a drain pan under the drain plug.
- 4) Using a wrench, remove the drain plug and drain out the engine oil.

⚠ WARNING

The engine oil temperature may be high enough to burn your fingers when the drain plug is loosened. Wait until the drain plug is cool enough to touch with your bare hands.

⚠ WARNING

New and used oil and solvent can be hazardous. Children and pets may be harmed by swallowing new or used oil or solvent. Repeated, prolonged contact with used engine oil may cause [skin] cancer. Brief contact with used oil or solvent may irritate skin.

- Keep new and used oil and solvent away from children and pets.
- Wear a long-sleeve shirt and waterproof gloves.
- Wash with soap if oil or solvent contacts your skin.

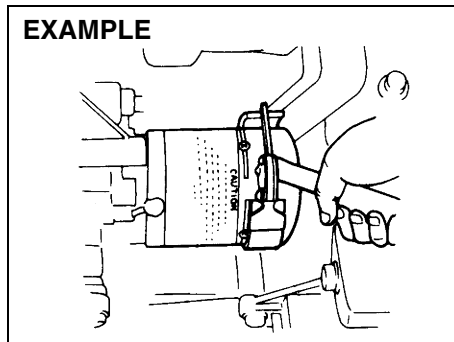
- 5) Reinstall the drain plug and gasket. Tighten the plug with a wrench to the specified torque.
- 6) Reinstall the engine under cover.

Tightening torque specification

35 Nm (25.3 lb-ft, 3.5 kg-m)

Replace the Oil Filter

EXAMPLE

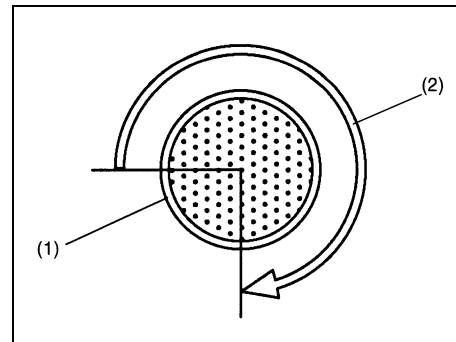


60A198

- 1) Remove the engine under cover.
- 2) Using an oil filter wrench, turn the oil filter counterclockwise and remove it.
- 3) Using a clean rag, wipe off the mounting surface on the engine where the new filter will be seated.
- 4) Smear a little engine oil around the rubber gasket of the new oil filter.
- 5) Screw on the new filter by hand until the filter gasket contacts the mounting surface.

CAUTION

To tighten the oil filter properly, it is important to accurately identify the position at which the filter gasket first contacts the mounting surface.



54G093

- (1) Oil filter
- (2) 3/4 turn

- 6) Tighten the filter 3/4 turn from the point of contact with the mounting surface (or to the specified torque) using an oil filter wrench.
- 7) Reinstall the engine under cover.

Tightening torque specification

14 Nm (10.0 lb-ft, 1.4 kg-m)

CAUTION

To prevent oil leakage, make sure that the oil filter is tight, but do not overtighten it.

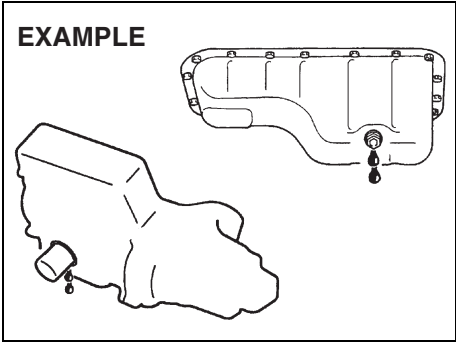
NOTE:
When it is difficult to remove the oil filter, we recommend you take your vehicle to your SUZUKI dealer for oil filter replacement.

Refill with Oil and Check for Leaks

- 1) Pour oil through the filler hole and install the filler cap.
For the approximate capacity of the oil, refer to the "Capacities" item in the "SPECIFICATIONS" section.
- 2) Start the engine and look carefully for leaks at the oil filter and drain plug. Run the engine at various speeds for at least 5 minutes.
- 3) Stop the engine and wait about 5 minutes. Check the oil level again and add oil if necessary. Check for leaks again.

CAUTION

When replacing the oil filter, it is recommended that you use a genuine SUZUKI replacement filter. If you use an after-market filter, make sure it is of equivalent quality and carefully follow the manufacturer's instructions and precautions.



83E010

CAUTION

Oil leaks from around the oil filter or drain plug indicate incorrect installation or gasket damage. If you find any leaks or are not sure that the filter has been properly tightened, have the vehicle inspected by your SUZUKI dealer.

Engine Coolant

Selection of Coolant

CAUTION

SUZUKI LLC: Super (Blue) coolant; SUZUKI LLC: Super (Blue) coolant is already diluted to the proper percentage. Do not dilute with distilled water additionally. Doing so may result in the possibility of freezing coolant and/or overheating.

To maintain optimum performance and durability of your engine, use SUZUKI Genuine Coolant or equivalent.

NOTE:
If you replace the engine coolant other than the SUZUKI LLC: Super (Blue), follow the schedule of SUZUKI LLC: Standard (Green). To see the detail of the maintenance schedule, refer to "Periodic Maintenance Schedule" in this section.

This type of coolant is best for your cooling system as it:

- Helps maintain proper engine temperature.
- Gives proper protection against freezing and boiling.
- Gives proper protection against corrosion and rust.

Failure to use the proper coolant can damage your cooling system. Your authorized SUZUKI dealer can help you select the proper coolant.

CAUTION

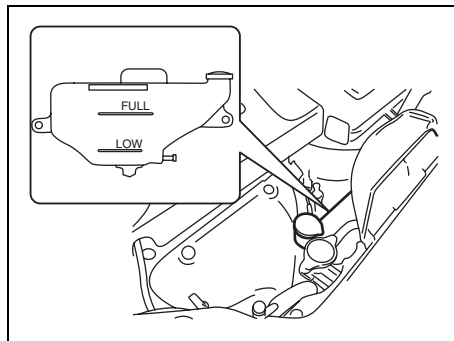
To avoid damaging your cooling system:

- Always use a high quality ethylene glycol base phosphate type coolant diluted with distilled water at the correct mixture concentration.
- Make sure that the proper mix is 50/50 coolant to distilled water and in no case higher than 70/30. Concentrations greater than 70/30 coolant to distilled water will cause overheating conditions.
- Do not use straight coolant nor plain water (except SUZUKI LLC: Super (Blue)).
- Do not add extra inhibitors or additives. They may not be compatible with your cooling system.
- Do not mix different types of base coolants. Doing so may result in accelerated seal wear and/or the possibility of severe overheating and extensive engine/CVT damage.

Coolant Level Check

Check the engine coolant level at the reserve tank, not at the radiator. With the engine cool, the engine coolant level should be between the "FULL" and "LOW" marks.

Adding Coolant



57L71002

If the engine coolant level is below the "LOW" mark, more engine coolant should be added. Remove the reserve tank cap and add engine coolant until the reserve tank level reaches the "FULL" mark. Never fill the reserve tank above the "FULL" mark.

⚠ WARNING

Engine coolant is harmful or fatal if swallowed or inhaled. Do not drink antifreeze or coolant solution. If swallowed, do not induce vomiting. Immediately contact a poison control center or a physician. Avoid inhaling mist or hot vapors; if inhaled, remove to fresh air. If coolant gets in eyes, flush eyes with water and seek medical attention. Wash thoroughly after handling. Solution can be poisonous to animals. Keep out of the reach of children and animals.

CAUTION

SUZUKI LLC: Super (Blue) coolant; SUZUKI LLC: Super (Blue) coolant is already diluted to the proper percentage. Do not dilute with distilled water additionally. Doing so may result in the possibility of freezing coolant and/or overheating.

CAUTION

SUZUKI LLC: Standard (Green) coolant;

- The mixture you use should contain 50% concentration of anti-freeze.
- If the lowest ambient temperature in your area is expected to be -35°C (-31°F) or below, use higher concentrations up to 60% following the instructions on the antifreeze container.

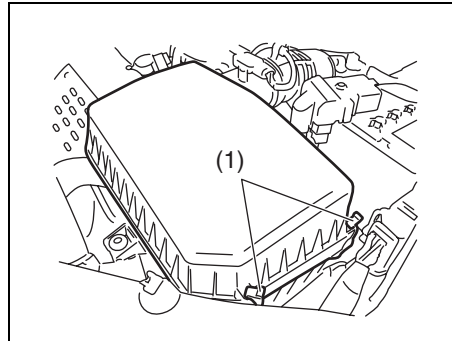
CAUTION

When putting the cap on the reservoir tank, line up the mark on the cap and the mark on the tank. Failure to follow this can result in coolant leakage.

Coolant Replacement

Since special procedures are required, we recommend you take your vehicle to your SUZUKI dealer for coolant replacement.

Air Cleaner



57L71003

If the air cleaner is clogged with dust, there will be greater intake resistance, resulting in decreased power output and increased fuel consumption.

Unclamp the side clamps (1), and remove the element from the air cleaner case. If it appears to be dirty, replace it with a new one.

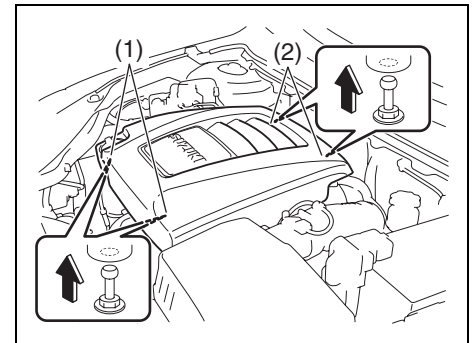
CAUTION

The air cleaner element should be replaced every 50000 km (30000 miles). More frequent replacement is necessary when you drive under dusty conditions.

Spark Plugs

You should inspect spark plugs periodically for carbon deposits. When carbon accumulates on a spark plug, a strong spark may not be produced. Remove carbon deposits with a wire or pin and adjust the spark plug gap.

To access the spark plugs,

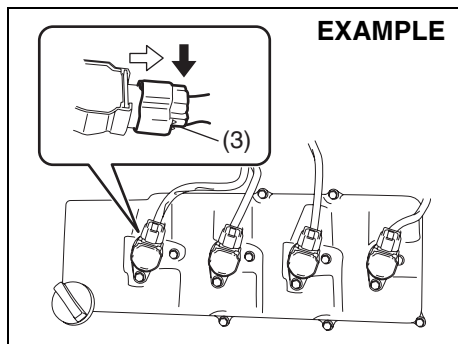


57L71004

- 1) Remove the front part (1), then remove the rear part (2) of the engine cover.

CAUTION

When remove the engine cover, make sure the cover does not interfere the vehicle to avoid damage to the cover.



57L71005

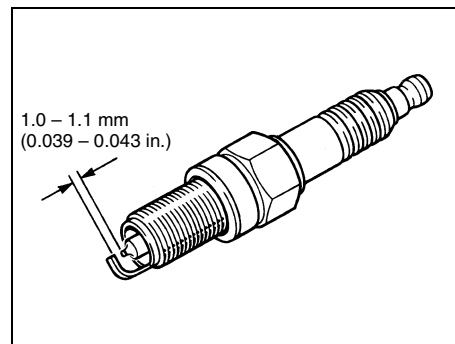
- 2) Disconnect the coupler (3) while pushing the release lever,
- 3) Remove the bolt, and
- 4) Pull the ignition coil out.

CAUTION

- When servicing the iridium/platinum spark plugs (slender center electrode type plugs), do not touch the center electrode, as it is easy to damage.
- When installing the spark plugs, screw them in with your fingers to avoid stripping the threads. Tighten with a torque wrench to 25 Nm (2.5 kg-m, 18.0 lb-ft). Do not allow contaminants to enter the engine through the spark plug holes when the plugs are removed.
- Never use spark plugs with the wrong thread size.

CAUTION

When replacing spark plugs, you should use the brand and type specified for your vehicle. For the specified plugs, refer to the "SPECIFICATIONS" section at the end of this book. If you wish to use a brand of spark plug other than the specified plugs, consult your SUZUKI dealer.



80G093

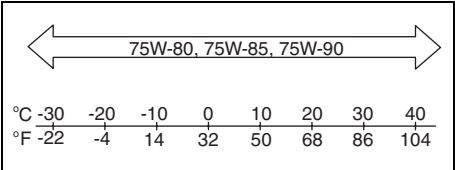
Gear Oil

Specified Gear Oil

When replacing gear oil, use gear oil with the appropriate viscosity and grade as shown in the charts below.

We highly recommend you use: "SUZUKI GEAR OIL 75W-80" for manual transaxle gear oil

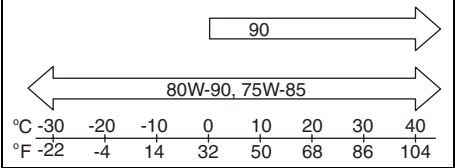
Manual transaxle (API GL-4)



57L71007

We highly recommend you use: API GL-5 hypoid gear oil SAE 80W-90 for rear differential oil (i-AWD) and transfer oil of CVT model (i-AWD)

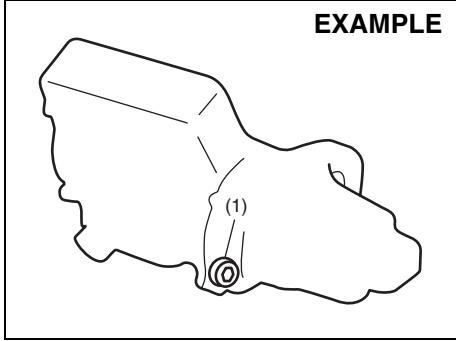
Rear differential oil (i-AWD)/Transfer oil of CVT model (i-AWD) (API GL-5 Hypoid)



57L71008

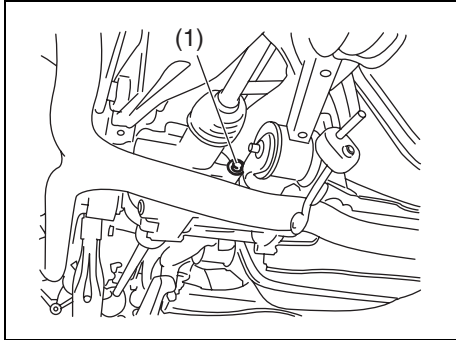
	API GRADE
Manual transaxle	GL-4
Rear differential oil (i-AWD)/Transfer oil (i-AWD CVT)	GL-5 (Hypoid gear oil)

Manual transaxle



80J2083

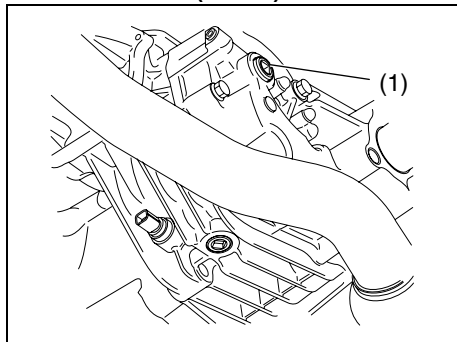
Transfer case (i-AWD)



57L71006

(1) Oil filler and level plug

Rear differential (i-AWD)



57L71009

(1) Oil filler and level plug

Tightening torque

	Oil Filler Plug
Manual transaxle	27 Nm (19.5 lb-ft) (2.7 kg-m)
Transfer	23 Nm (16.6 lb-ft) (2.3 kg-m)
Rear differential	

Gear Oil Level Check

The manual transaxle, transfer gears (i-AWD CVT) and rear differential (i-AWD) are lubricated with gear oil. To check the gear oil level in any of the above locations, use the following procedure:

- 1) Park the vehicle on a level surface. Set parking brake and stop the engine.
- 2) Remove the oil filler plug (1).

For the manual transaxle;

- 3) If gear oil flow from the plug hole, the oil level is correct. Reinstall the plug.
If gear oil do not flow from the plug hole, add oil through the filler plug hole until a little oil flow from the plug hole.

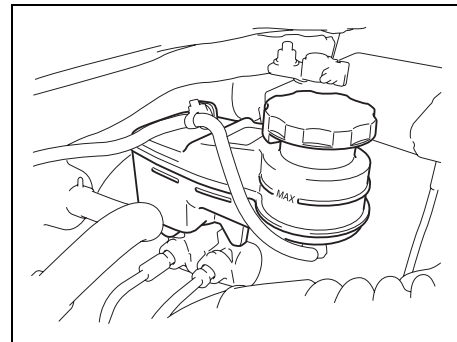
For the transfer and rear differential;

- 3) Check the inside of the hole with your finger. If the oil level comes up to the bottom of the plug hole, the oil level is correct. If so, reinstall the plug.
- 4) If the oil level is low, add gear oil through the filler plug hole (1) until the oil level reaches the bottom of the filler hole.

Gear Oil Replacement

Since special procedures, materials and tools are required, it is recommended that you trust this job to your authorized SUZUKI dealer.

Clutch Pedal



57L71010

Check the clutch pedal for smooth operation and clutch fluid level from time to time. If clutch dragging is felt with the pedal fully depressed, have the clutch inspected by your SUZUKI dealer. If the clutch fluid level is near the "MIN" line, fill it up to the "MAX" line with SAE J1703 or DOT3 brake fluid.

Continuously Variable Transaxle (CVT) Fluid

Specified Fluid

Use a CVT fluid SUZUKI CVT FLUID GREEN-1 or Shell GREEN-1V.

Fluid Level Check

CAUTION
Driving with too much or too little fluid can damage the transaxle.

You must check the fluid level with the CVT fluid at normal operating temperature.

To check the fluid level:

- 1) To warm up the CVT fluid, drive the vehicle or idle the engine until the temperature gauge indicates normal operating temperature.
- 2) Then drive for ten more minutes.

CAUTION
Be sure to use the specified CVT fluid. Using CVT fluid other than SUZUKI CVT FLUID GREEN-1 or Shell GREEN-1V may damage the CVT of your vehicle.

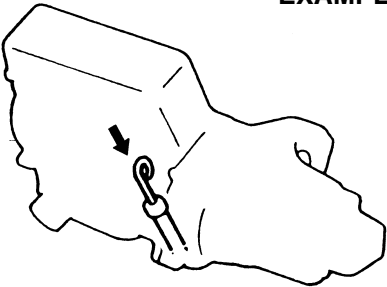
NOTE:
Do not check the fluid level if you have just driven the vehicle for a long time at high speed, or if you have driven in city traffic in

hot weather. Wait until the fluid cools down (about 30 minutes), or the fluid level indication will not be correct.

- 3) Park your vehicle on level ground.
- 4) Apply the parking brake and then start the engine in "P" (Park). Let it idle for two minutes and keep it running during the fluid level check.
- 5) With your foot on the brake pedal, move the gearshift lever through each gear, pausing for about three seconds in each range. Then move it back to the "P" (Park) position.

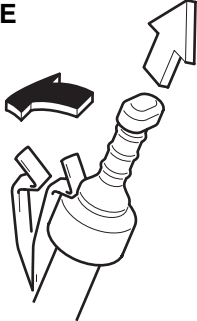
⚠ WARNING
Be sure to depress the brake pedal when moving the gearshift lever, or the vehicle can move suddenly.

EXAMPLE



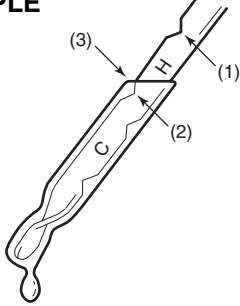
75F086

EXAMPLE



80J2071

EXAMPLE



80J2072

- (1) FULL
- (2) LOW
- (3) The lowest point = Fluid level

INSPECTION AND MAINTENANCE

- 6) The handle of the CVT fluid dipstick is colored red or orange for easy identification.

Remove the dipstick, clean it and push it back in until the cap seats. Pull out the dipstick and read the fluid level.

The fluid level should be between the two marks in the "HOT" range on the dipstick.

- 7) Add just enough specified fluid through the dipstick hole to fill the transaxle to the proper level. It takes only 0.6 liters (1.27 US pt) for CVT to raise the level from "LOW" to "FULL".

CAUTION

After checking or adding oil, be sure to insert the dipstick securely.

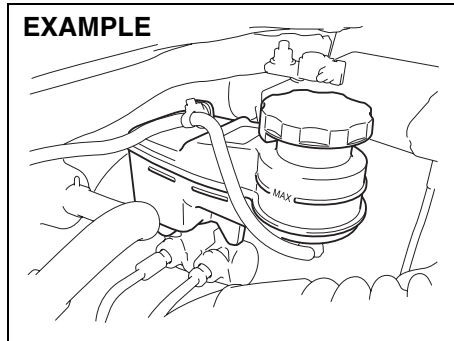
Deterioration Checking or Changing Fluid

Since special procedures, materials and tools are required to check the deterioration of CVT fluid or change, it is recommended that you trust this job to your authorized SUZUKI dealer.

Brakes

Brake Fluid

EXAMPLE



57L71010

Check the brake fluid level by looking at the reservoir in the engine compartment. Check that the fluid level is between the "MAX" and "MIN" lines. If the brake fluid level is near the "MIN" line, fill it up to the "MAX" line with SAE J1703 or DOT3 brake fluid.



BRAKE

65D477

⚠ WARNING

Failure to follow the guidelines below can result in personal injury or serious damage to the brake system.

- If the brake fluid in the reservoir drops below a certain level, the brake warning light on the instrument panel will come on (the engine must be running with the parking brake fully disengaged.) Should the light come on, immediately ask your SUZUKI dealer to inspect the brake system.
- A rapid fluid loss indicates a leak in the brake system which should be inspected by your SUZUKI dealer immediately.
- Brake fluid can harm your eyes and damage painted surfaces. Use caution when refilling the reservoir.

(Continued)

⚠ WARNING

(Continued)

- Do not use any fluid other than SAE J1703 or DOT3 brake fluid. Do not use reclaimed fluid or fluid that has been stored in old or open containers. It is essential that foreign particles and other liquids are kept out of the brake fluid reservoir.

⚠ WARNING

Brake fluid is harmful or fatal if swallowed, and harmful if it comes in contact with skin or eyes. If swallowed, do not induce vomiting. Immediately contact a poison control center or a physician. If brake fluid gets in eyes, flush eyes with water and seek medical attention. Wash thoroughly after handling. Solution can be poisonous to animals. Keep out of the reach of children and animals.

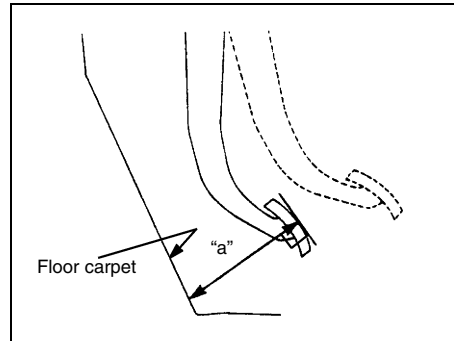
CAUTION

The brake fluid should be replaced according to the maintenance schedule. Have the brake fluid replaced by your SUZUKI dealer.

NOTE:

With disc brakes, the fluid level can be expected to gradually fall as the brake pads wear.

Brake Pedal



65D345

Pedal to floor carpet minimum distance
"a"

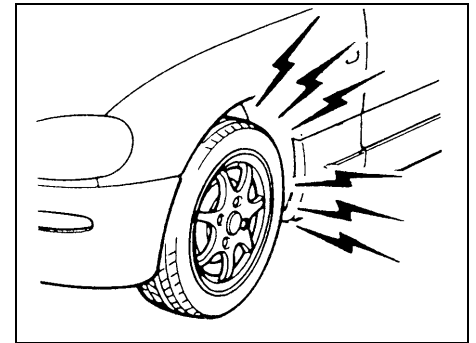
73 mm (2.9 in.)

With the engine running and the parking brake set, measure the distance between the brake pedal and floor carpet when the pedal is depressed with approximately 300 N (66 lbs, 30 kg) of force. The minimum distance required is as specified. Since your vehicle's brake system is self-adjusting, there is no need for pedal adjustment. If the pedal to floor carpet distance as

measured above is less than the minimum distance required, have your vehicle inspected by your SUZUKI dealer.

NOTE:

When measuring the distance between the brake pedal and floor wall, be sure not to include the floor mat or rubber on the floor wall in your measurement.



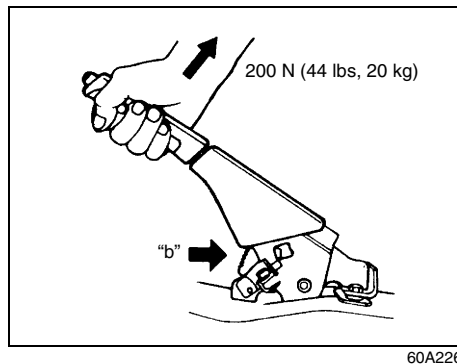
60G104

⚠ WARNING

If you experience any of the following problems with your vehicle's brake system, have the vehicle inspected immediately by your SUZUKI dealer.

- Poor braking performance
- Uneven braking (brakes not working uniformly on all wheels.)
- Excessive pedal travel
- Brake dragging
- Excessive noise
- (Except ABS equipped vehicle) Pedal pulsation (pedal pulsates when pressed for braking.)

Parking Brake Lever

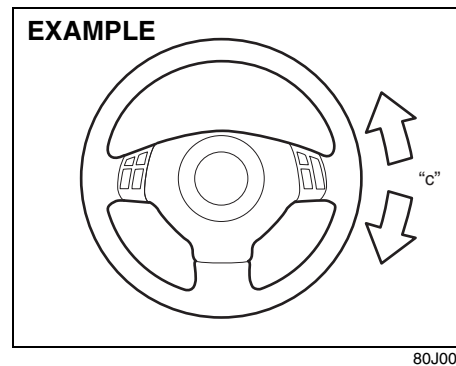


Ratchet tooth specification "b"

6th – 8th

Check the parking brake for proper adjustment by counting the number of clicks made by the ratchet teeth as you slowly pull up on the parking brake lever to the point of full engagement. The parking brake lever should stop between the specified ratchet teeth and the rear wheels should be securely locked. If the parking brake is not properly adjusted or the brakes drag after the lever has been fully released, have the parking brake inspected and/or adjusted by your SUZUKI dealer.

Steering Wheel



Steering wheel play "c"

0 – 30 mm (0.0 – 1.2 in.)

Check the play of the steering wheel by gently turning it from left to right and measuring the distance that it moves before you feel slight resistance. The play should be between the specified values. Check that the steering wheel turns easily and smoothly without rattling by turning it all the way to the right and to the left while driving very slowly in an open area. If the amount of free play is outside the specification or you find anything else to be wrong, an inspection must be performed by your SUZUKI dealer.

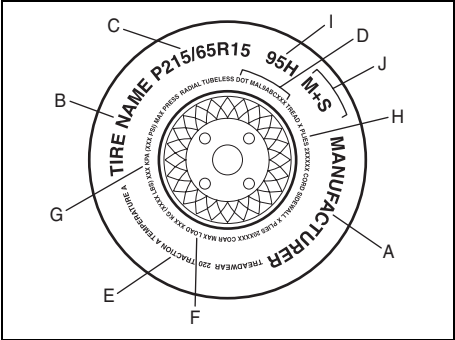
Tires

For safe operation of your vehicle, it is important that the tires be the correct type and size, in good condition, and properly inflated. Be sure to follow the requirements and recommendations in this section.

Tire Sidewall Labeling

Useful information about a tire is molded into its sidewall. The example below shows a typical passenger car tire.

Typical Passenger Car Tire Sidewall



67D027

A. Tire Manufacturer
The name of the tire manufacturer is shown here.

B. Tire Name/Model
The tire name or model is shown here.

C. Tire Size
The tire size code is a combination of letters and numbers used to define a particular tire's width, height, aspect ratio, construction type, and service description. See the "Tire Size" explanation later in this section for more details.

D. U.S. DOT Tire Identification Number
The Department of Transportation (DOT) marking indicates that the tire is in compliance with the U.S. Department of Transportation Motor Vehicle Safety Standards. The letters and numbers following the DOT marking is the Tire Identification Number (TIN). The TIN identifies the tire manufacturer and plant, tire size, and date the tire was manufactured.

E. Uniform Tire Quality Grading (UTQG)
Tire manufacturers are required to grade tires based on three performance factors: treadwear, traction and temperature resistance. Refer to the "Uniform Tire Quality Grading" section for more details.

F. Load Rating
Load rating is the maximum weight a tire is designed to support in normal service.

G. Max Inflation Pressure
Max inflation pressure is the maximum inflation pressure a tire is designed for.

H. Tire Ply Material
These tire markings describe the type of cord and number of plies in the sidewall and under the tread.

I. Load Index and Speed Rating
The two- or three-digit number is the tire's load index, the maximum load a tire can carry at the speed indicated by its speed symbol at the maximum inflation pressure. The higher the number is, the greater the load carrying capacity. The letter symbol denotes the speed at which a tire is designed to be driven for extended periods of time. (Ratings are listed below.)

Table with 2 columns: Letter Rating, Speed Rating. Rows: Q (99 mph), R (106 mph), S (112 mph), T (118 mph)

INSPECTION AND MAINTENANCE

U	124 mph
H	130 mph
V	149 mph
W	168 mph*
Y	186 mph*

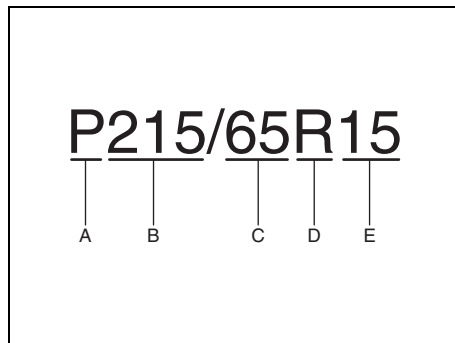
*The letters ZR may be used on tires with a maximum speed capability over 149 mph and will always be used on tires with a maximum speed capability over 186 mph.

J. M+S Marking

This marking indicates the tire has some mud and snow capabilities and is designed for all-season use.

Tire Size

The following illustration shows an example of a typical passenger car tire size.



67D028

A. Tire Type

This letter code indicates the primary intended use of the tire. The letter "P" identifies a tire primarily intended for use on a passenger vehicle.

B. Tire Width

This three-digit number indicates the tire section width in millimeters from sidewall to sidewall.

C. Aspect Ratio

This two-digit number represents the tire section height divided by the tire section width.

D. Construction Code

This letter code is used to indicate the type of ply construction in the tire. The letter "R" means radial ply tire construction, the letter "D" means diagonal or bias ply construction, and the letter "B" means belted-bias ply construction.

E. Rim Diameter

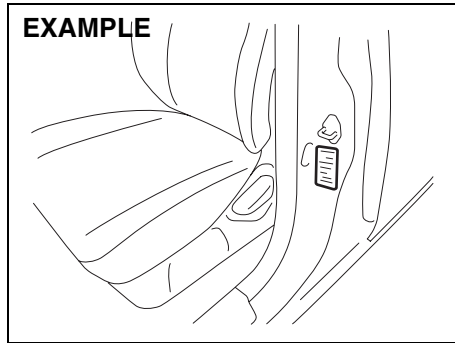
This two-digit number is the wheel or rim diameter in inches.

WARNING

Your SUZUKI is equipped with tires which are all the same type and size. This is important to ensure proper steering and handling of the vehicle. Never mix tires of different size or type on the four wheels of your vehicle. Mixing tires could cause you to lose control while driving which may lead to an accident. The size and type of tires used should be only those approved by SUZUKI Motor Corporation as standard or optional equipment for your vehicle.

Tire Inflation Pressure

Tire inflation pressure should be checked when the tire is cold. "Cold tire inflation pressure" is the pressure in a tire that has been driven less than 1 mile (1.6 km) or has been standing for three hours or more.



80JS025

The front and rear tire pressure specifications for your vehicle are shown below and are listed on the Tire and Loading Information Label, which is located on the driver's door lock pillar. The Tire and Loading Information Label contains the following information:

- Seating Capacity
- Maximum Allowed Combined Weight of Occupants and Cargo
- Original Tire Size
- Recommended Cold Tire Inflation Pressure of Original Tires
- Size of Compact Spare Tire
- Recommended Cold Tire Inflation Pressure of Compact Spare Tire

Recommended Cold Tire Inflation Pressures	
Front Tires	260 kPa 38 psi
Rear Tires	260 kPa 38 psi
Compact Spare Tire	420 kPa 60 psi

NOTE:

The tire inflation pressure will change due to changes in atmospheric pressure, temperature or tire temperature when driving. To reduce the chance that the low tire pressure warning light will come on due to normal changes in temperature and atmospheric pressure, it is important to check and adjust the tire pressures when the tires are cold. Tires that appear to be at the specified pressure when checked after driving, when the tires are warm, could have pressure below the specification when the tires cool down. Also, tires that are inflated to the specified pressure in a warm garage may have pressure below the specification when the vehicle is driven outside in very cold temperature. If you adjust the tire pressure in a garage that is warmer than the outside temperature, you should add 1 psi to the recommended cold tire inflation pressure for every 10°F difference between garage temperature and outside temperature.

Measuring Air Pressure

Use the following steps to achieve proper tire inflation:

- 1) Identify the recommended tire pressure on the vehicle's Tire and Loading Information Label or in the owner's manual.
- 2) Remove the valve cap from the tire valve stem.
- 3) Using a reliable pressure gauge, measure the tire inflation pressure by pressing the tire gauge firmly onto the valve to get a pressure measurement. Remember that inflation pressures should be checked when the tires are "cold", meaning before they have been driven one mile or after sitting for three hours or more allowing the tire to cool to ambient air temperature.
- 4) If the air pressure is too high, slowly release the air by pressing on the tire valve stem with the edge of the tire gauge until you reach the correct pressure.
- 5) If the air pressure is too low, fill the tire with air at a service station until it reaches the recommended pressure.
- 6) Make sure all tires have the same air pressure (unless the owner's manual indicates otherwise).

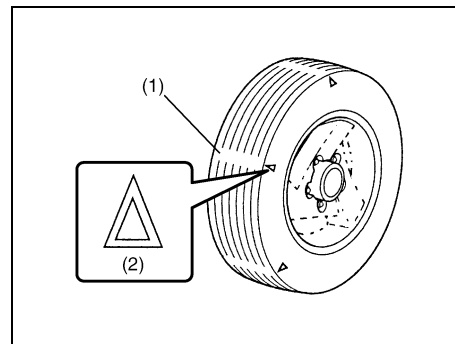
⚠ WARNING

- **Air pressures should be checked when the tires are cold or you may get inaccurate readings.**
- **Check the inflation pressure from time to time while inflating the tire gradually, until the specified pressure is obtained.**
- **Never underinflate or overinflate the tires.**
Underinflation can cause unusual handling characteristics or can cause the rim to slip on the tire bead, resulting in an accident or damage to the tire or rim. Underinflation can also cause tires to overheat, leading to tire failure. Overinflation can cause the tire to burst, resulting in personal injury. Overinflation can also cause unusual handling characteristics which may result in an accident.

Tire Inspection

Inspect your vehicle's tires at least once a month by performing the following checks:

- 1) Measure the air pressure with a tire gauge. Adjust the pressure if necessary. Remember to check the spare tire, too. Refer to the "Measuring Air Pressure" section.



54G136

- (1) Tread wear indicator
 - (2) Indicator location mark
- 2) Check that the depth of the tread groove is more than 1.6 mm (0.06 in.). To help you check this, the tires have molded-in tread wear indicators in the grooves. When the indicators appear on the tread surface, the remaining depth of the tread is

1.6 mm (0.06 in.) or less and the tire should be replaced.

- 3) Check for abnormal wear, cracks and damage. Any tires with cracks or other damage should be replaced. If any tires show abnormal wear, have them inspected by your SUZUKI dealer.

⚠ WARNING

Hitting curbs and running over rocks can damage tires and affect wheel alignment. Be sure to have tires and wheel alignment checked periodically by your SUZUKI dealer.

- 4) Check for loose wheel nuts.
5) Check that there are no nails, stones or other objects sticking into the tires.

⚠ WARNING

Your SUZUKI is equipped with tires which are all the same type and size. This is important to ensure proper steering and handling of the vehicle. Never mix tires of different size or type on the four wheels of your vehicle. The size and type of tires used should be only those approved by SUZUKI Motor Corporation as standard or optional equipment for your vehicle.

CAUTION

For intelligent All Wheel Drive (i-AWD) models, replacing a tire with one of a different size, or using different brands among the four tires can result in damage to the drive train.

⚠ WARNING

Replacing the wheels and tires equipped on your vehicle with certain combinations of aftermarket wheels and tires can significantly change the steering and handling characteristics of your vehicle. Oversized tires may also rub against the fender over bumps, causing vehicle damage or tire failure. Therefore, use only those wheel and tire combinations approved by SUZUKI Motor Corporation as standard or optional equipment for your vehicle. For information regarding the specified tires, refer to the Tire Information Label located on the driver's side door pillar or the "SPECIFICATIONS" section.

CAUTION

Replacing the original tires with tires of a different size may result in false speedometer or odometer readings. Check with your SUZUKI dealer before purchasing replacement tires that differ in size from the original tires.

Uniform Tire Quality Grading

The U.S. National Highway Traffic Safety Administration has developed a grading system for evaluating the performance of passenger car tires. The following information will help you understand the grading system, which applies to vehicles sold in the U.S. Consult your SUZUKI dealer or tire retailer for help in choosing the correct replacement tires for your vehicle.

Quality grades can be found where applicable on the tire sidewall between tread shoulder and maximum section width. For example:

Treadwear 200 Traction AA Temperature A

DOT Quality Grades

Treadwear

Traction AA A B C

Temperature A B C

All Passenger Car Tires Must Conform To Federal Safety Requirements in Addition To These Grades

Treadwear

The treadwear grade is a comparative rating based on the wear rate of the tire when tested under controlled conditions on a specified government test course. For example, a tire graded 150 would wear one and one-half (1 1/2) times as well on the government course as a tire graded 100. The relative performance of tires depends upon the actual conditions of their use, however and may depart significantly from the norm due to variations in driving habits, service practices and differences in road characteristics and climate.

Traction – AA, A, B, C

The traction grades, from highest to lowest, are AA, A, B and C. Those grades represent the tire's ability to stop on wet pavement as measured under controlled conditions on specified government test surfaces of asphalt and concrete. A tire marked C may have poor traction performance.

WARNING

The traction grade assigned to this tire is based on straight-ahead braking traction tests, and does not include acceleration, cornering, hydroplaning or peak traction characteristics.

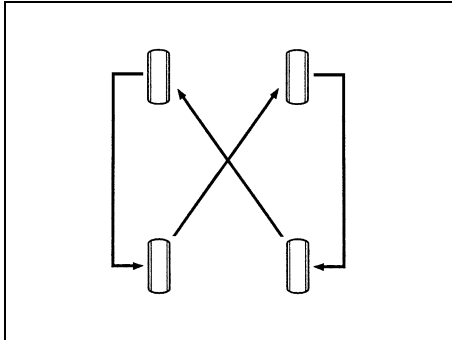
Temperature – A, B, C

The temperature grades are A (the highest), B and C, representing the tire's resistance to the generation of heat and its ability to dissipate heat when tested under controlled conditions on a specified indoor laboratory test wheel. Sustained high temperature can cause the material of the tire to degenerate and reduce tire life, and excessive temperature can lead to sudden tire failure. The grade C corresponds to a level of performance which all passenger car tires must meet under the Federal Motor Vehicle Safety Standard No. 109. Grades B and A represent higher levels of performance on the laboratory test wheel than the minimum required by law.

WARNING

The temperature grade for this tire is established for a tire that is properly inflated and not overloaded. Excessive speed, under-inflation or excessive loading, either separately or in combination, can cause heat buildup and possible tire failure.

Tire Rotation



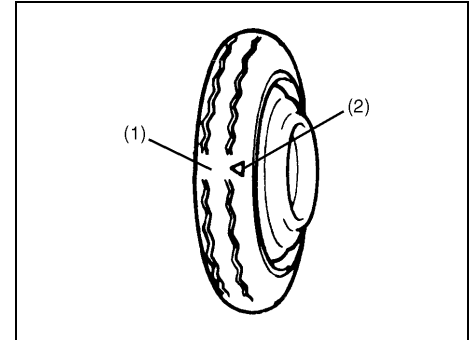
54G114

To avoid uneven wear of your tires and to prolong their life, rotate the tires as illustrated. Tires should be rotated as recommended in the periodic maintenance schedule. After rotation, adjust front and rear tire pressures to the specification listed on your vehicle's Tire and Loading Information Label.

 **WARNING**

Rust or dirt on a wheel, or on the parts to which it is fastened, can make wheel nuts become loose after a time. The wheel could come off and cause an accident. When you change a wheel, remove any rust or dirt from places where the wheel attaches to the vehicle. In an emergency, you can use a cloth or a paper towel to do this; but be sure to use a scraper or wire brush later, if you need to, to get all the rust or dirt off.

Compact Spare Tire (if equipped)



54G115

- (1) Wear indicator
- (2) Indicator location mark

Your vehicle comes equipped with the compact spare tire. The compact spare is designed to save space in your storage area, and its lighter weight makes it easier to install if a flat tire occurs. It is only intended for temporary emergency use, until the conventional tire can be repaired or replaced. The inflation pressure of the compact spare tire should be checked at least monthly. Use a quality pocket-type inflation pressure gauge and set at 420 kPa (60 psi). At the same time, check that the tire is stored securely. If it is not, tighten it.

Note that two or more compact spare tires should not be used on one vehicle simultaneously.

WARNING

The compact spare tire and wheel are intended for temporary emergency use only. Continuous use of this spare can result in tire failure and loss of control. Always observe these precautions when using this spare:

- Your vehicle will handle differently with this temporary spare.
- Do not exceed 80 km/h (50 mph) speed.
- Replace this spare with a standard tire and wheel as soon as possible.
- Use of this spare will reduce ground clearance.
- Recommended air pressure for this spare is 420 kPa (60 psi).
- Do not use tire chains on the compact spare. If you must use tire chains, rearrange the wheels so standard tires and wheels are fitted to the front axle.

(Continued)

WARNING

(Continued)

- The compact spare tire has a much shorter tread life than the conventional tires on your vehicle. Replace the tire as soon as the tread wear indicator appears.
- When replacing the compact tire, use a replacement tire with the exact same size and construction.

CAUTION

For intelligent All Wheel Drive (i-AWD) models, driving with an underinflated compact spare tire or over 80 km/h (50 mph) while using a compact spare tire can result in damage to the drive train.

Snow Tires

Your vehicle is equipped with all-season tires which are designed for use in summer and most winter conditions. For improved traction in severe winter conditions, SUZUKI recommends mounting radial snow tires on all four wheels. Snow tires must be the same size as the standard tires. Also be sure to use the tires of the same type and brand on all four wheels of your vehicle.

**GLOSSARY OF TIRE TERMINOL-
OGY**

Accessory Weight – the combined weight (in excess of those standard items which may be replaced) of CVT, power steering, power brakes, power windows, power seats, radio, and heater, to the extent that these items are available as factory-installed equipment (whether installed or not).

Cold Tire Inflation Pressure – the pressure in a tire that has been driven less than 1 mile or has been standing for three hours or more.

Curb Weight – the weight of a motor vehicle with standard equipment including the maximum capacity of fuel, oil, and coolant, and, if so equipped, air conditioning and additional weight optional engine.

Intended Outboard Sidewall – (1) the sidewall that contains a whitewall, bears white lettering or bears manufacturer, brand, and/or model name molding that is higher or deeper than the same molding on the other sidewall of the tire, or (2) the outward facing sidewall of an asymmetrical tire that has a particular side that must always face outward when mounted on a vehicle.

Maximum Inflation Pressure – the maximum cold inflation pressure a tire is designed to support in normal service.

Maximum Loaded Vehicle Weight – the sum of curb weight, accessory weight, vehicle capacity weight (total load capacity), and production options weight.

Normal Occupant Weight – 68 kilograms times the number of occupants specified in the second column of Table 1 (shown below).

Occupant distribution – distribution of occupants in a vehicle as specified in the third column of Table 1 (shown below).

Production Options Weight – the combined weight of those installed regular production options weighing over 2.3 kilograms in excess of those standard items which they replace, not previously considered in curb weight or accessory weight, including heavy duty brakes, ride levelers, roof rack, heavy duty battery, and special trim.

Recommended Inflation Pressure – the cold tire inflation pressure recommended by a manufacturer.

Rim – metal support for a tire or tire and tube assembly upon which the tire beads are seated.

Vehicle Capacity Weight – the rated cargo and luggage load plus 68 kilograms (150 lbs) times the vehicle’s designated seating capacity.

Vehicle Maximum Load on the Tire – the load on an individual tire that is determined by distributing to each axle its share of the maximum loaded vehicle weight and dividing by two.

Vehicle Normal Load on the Tire – the load on an individual tire that is determined by distributing to each axle its share of the curb weight, accessory weight, and normal occupant weight (distributed in accordance with Table 1 shown below) and dividing by 2.

TABLE 1 – Occupant Loading and Distribution For Vehicle Normal Load For Various Designated Seating Capacities

Designated seating capacity, number of occupants	Vehicle normal load, number of occupants	Occupant distribution in a normally loaded vehicle
2 through 4	2	2 in front
5 through 10	3	2 in front, 1 in second seat

Vehicle Loading

Your vehicle was designed for specific load capacities. The load capacities of your vehicle are indicated by the Gross Vehicle Weight Rating (GVWR), the Gross Axle Weight Rating (GAWR, front and rear), and the total load capacity, the seating capacity, and the cargo load capacity. The GVWR and GAWR (front and rear) are listed on the Safety Certification Label which is located below the driver's side door latch striker. The total load capacity and seating capacity are listed on the Tire and Loading Information Label which is located below the Safety Certification Label. The cargo load capacity can be determined as described below.

Cargo Load Capacity – Maximum weight of cargo and luggage that the vehicle can safely carry. Cargo load capacity is the difference between the total load capacity of the vehicle and the total combined weight of all vehicle occupants. Refer to “Steps for Determining Correct Load Limit” for details on how to determine cargo load capacity.

GVWR – Maximum permissible overall weight of the fully loaded vehicle (including all the occupants, accessories and cargo plus the trailer tongue weight if towing a trailer).

GAWR – (Front and Rear) Maximum permissible weight on an individual axle.

Seating Capacity – Maximum number of occupants the vehicle is designed to carry.

NOTE:

Even though the number of occupants is within the seating capacity, you still must make sure that you do not exceed the total load capacity of the vehicle.

Total Load Capacity – Maximum permissible weight a vehicle can carry including the weight of all the occupants, accessories, cargo, plus trailer tongue weight (if towing a trailer).

The weight of any accessories already installed on your vehicle at the time of purchase, or that you or the dealer install after purchase, must be subtracted from the total load capacity to determine how much capacity remains available for occupants, cargo, and trailer tongue weight (if towing a

trailer). Contact your dealer for further information.

Actual weight of the loaded vehicle and actual loads at the front and rear axles can only be determined by weighing the vehicle using a vehicle scale. To measure the weight and load, try making your vehicle to a highway weighing station, shipping company or inspection station for trucks, etc. Compare these weights to the GVWR and GAWR (front and rear) listed on the Safety Certification Label. If the gross vehicle weight or the load on either axle exceeds these ratings, you must remove enough weight to bring the load down to the rated capacity.

⚠ WARNING

Never overload your vehicle. Overloading your vehicle can cause damage to your tires and lead to poor steering and braking which can result in an accident. The gross vehicle weight (sum of the weights of the loaded vehicle, driver and passengers) must never exceed the Gross Vehicle Weight Rating (GVWR) listed on the Safety Certification Label. In addition, never distribute a load so that the weight on either the front or rear axle exceeds the Gross Axle Weight Rating (GAWR) listed on the Safety Certification Label.

⚠ WARNING

- **Always distribute cargo evenly.**
- **To avoid personal injury or damage to your vehicle, always secure cargo to prevent it from shifting if the vehicle moves suddenly.**
- **Place heavier objects on the floor and as far forward in the cargo area as possible. Never pile cargo higher than the top of the seatbacks.**

Steps for Determining Correct Load Limit

- 1) Locate the statement “The combined weight of occupants and cargo should never exceed XXX kg or XXX lbs” on your vehicle’s placard.
- 2) Determine the combined weight of the driver and passengers that will be riding in your vehicle.
- 3) Subtract the combined weight of the driver and passengers from XXX kg or XXX lbs.
- 4) The resulting figure equals the available amount of cargo and luggage load capacity. For example, if the “XXX” amount equals 1400 lbs and there will be five 150 lb passengers in your vehicle, the amount of available cargo and luggage load capacity is 650 lbs ($1400 - 750 (5 \times 150) = 650$ lbs).
- 5) Determine the combined weight of luggage and cargo being loaded on the vehicle. That weight may not safely exceed the available cargo and luggage load capacity calculated in Step 4.
- 6) If your vehicle will be towing a trailer, load from your trailer will be transferred to your vehicle. Consult this manual to determine how this reduces the available cargo and luggage load capacity of your vehicle.

Vehicle Loading Example

As an example, suppose that the Tire and Loading Information label on your vehicle indicates that your vehicle’s total load capacity is 950 lbs. If you were to drive your vehicle with one passenger, and the total combined weight of you and your passenger was 350 lbs, then the cargo and luggage capacity of your vehicle would be 600 lbs ($950 - 350 = 600$ lbs).

If you later added 2 more passengers, having a combined weight of 325 lbs, the cargo and luggage capacity of your vehicle would be reduced from 600 lbs to 275 lbs ($600 - 325 = 275$ lbs). As you can see, as the number and combined weight of vehicle occupants increase, the vehicle’s cargo and luggage capacity decreases.

Suppose again, that you were to take a trip in your vehicle with the same three passengers described above, and you decided to tow a trailer having a trailer tongue weight of 75 lbs. The cargo and luggage capacity would be reduced again, to 200 lbs ($275 - 75 = 200$ lbs).

Determining Compatibility of Tire and Vehicle Load Limits

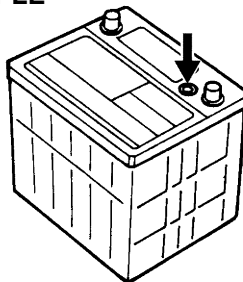
The tires on your vehicle, when they are inflated to the recommended tire inflation pressure, have a load-carrying capacity that is greater than the load that will be on the tires when the vehicle is at its GVWR or GAWR limit. Never use replacement tires that have a load-carrying capacity less than the original tires on your vehicle. Tire load-carrying capacity information is molded into the tire sidewall typically shown as "Max. Load". Use of replacement tires with a lower load-carrying capacity than the original tires, or failure to keep the tires inflated to recommended tire pressure, may reduce the GVWR or GAWR limit of your vehicle.

NOTE:

Use of replacement tires with a higher load-carrying capacity than the original tires, or using a tire inflation pressure higher than the recommended tire inflation pressure, will not increase the GVWR or GAWR limit of your vehicle.

Battery

EXAMPLE



60A269

⚠ WARNING

Batteries produce flammable hydrogen gas. Keep flames and sparks away from the battery or an explosion may occur. Never smoke when working near the battery.

⚠ WARNING

When checking or servicing the battery, disconnect the negative cable. Be careful not to cause a short circuit by allowing metal objects to contact the battery posts and the vehicle at the same time.

⚠ WARNING

To avoid harm to yourself or damage to your vehicle or battery, follow the jump starting instructions in the "EMERGENCY SERVICE" section of this manual if it is necessary to jump start your vehicle.

⚠ WARNING

Battery posts, terminals and related accessories contain lead and lead compounds. Wash hands after handling.

Your vehicle is equipped with a battery that requires infrequent maintenance. You will never have to add water. You should, however, periodically check the battery, battery terminals and battery hold-down bracket for corrosion. Remove corrosion using a stiff brush and ammonia mixed with water, or baking soda mixed with water. After removing corrosion, rinse with clean water.

The test indicator on the top of the battery provides information on the condition of the battery.

If your vehicle is not going to be driven for a month or longer, disconnect the cable from the negative terminal of the battery to help prevent discharge.

Fuses

Your vehicle has three types of fuses, as described below:

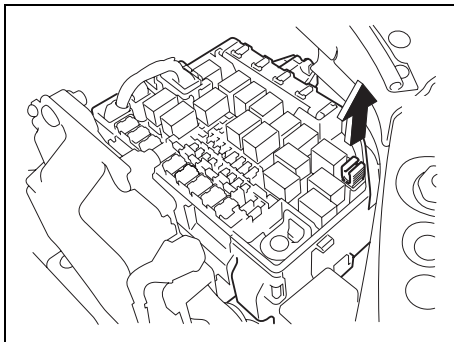
Main Fuse – The main fuse takes current directly from the battery.

Primary Fuses – These fuses are between the main fuse and individual fuses, and are for electrical load groups.

Individual Fuses – These fuses are for individual electrical circuits.

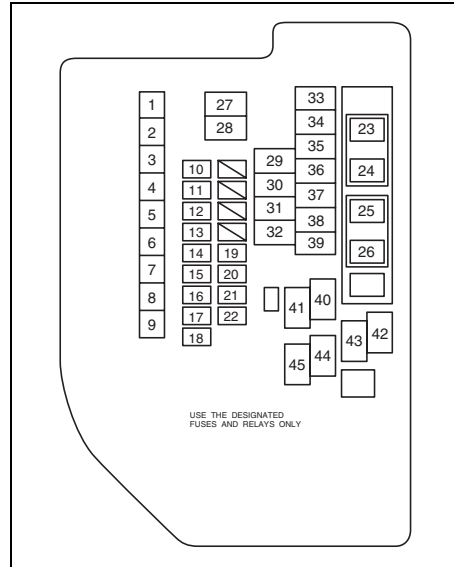
For details on protected circuits, refer to the “Fuses and Protected Circuits” section in this manual.

To remove a fuse, use the fuse puller provided in the fuse box.



57L71011

Fuses in the Engine Compartment



57L71037

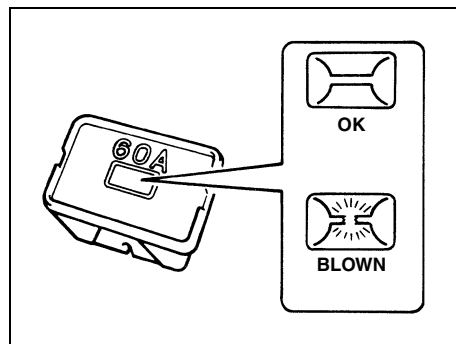
NO.	AMPS	FUSE NAME
(1)	50A	Ignition switch
(2)	30A	Radiator fan sub
(3)	30A	Radiator fan main
(4)	30A	Starting motor
(5)	40A	Light
(6)	40A	ESP control module
(7)	50A	Keyless start control module
(8)	50A	Power window, Power seat
(9)	50A	Blower fan
(10)	10A	Air conditioning compressor
(11)	15A	Door mirror heater
(12)	15A	Throttle motor
(13)	30A	Rear defogger
(14)	30A	Blank
(15)	7.5A	Head light
(16)	20A	Fuel injection
(17)	25A	ESP control module
(18)	25A	Back up
(19)	15A	Head light low (Left)

INSPECTION AND MAINTENANCE

(20)	15A	Head light low (Right)
(21)	15A	Head light high (Left)
(22)	15A	Head light high (Right)
(23)	15A	CVT
(24)	20A	Front fog light
(25)	15A	O2 sensor heater
(26)	15A	Horn
(27)	–	Head light low relay (Left)
(28)	–	Head light low relay (Right)
(29)	–	Blank
(30)	–	Blank
(31)	–	Blank
(32)	–	Air conditioning compressor relay
(33)	–	Rear defogger relay
(34)	–	Blank
(35)	–	Windshield wiper relay 2
(36)	–	Blank
(37)	–	Windshield wiper relay 1
(38)	–	Starting motor relay

(39)	–	Fuel pump relay
(40)	–	Radiator fan relay 3
(41)	–	Radiator fan relay 1
(42)	–	Door mirror heater relay
(43)	–	Radiator fan relay 2
(44)	–	Main relay
(45)	–	Throttle motor relay

The main fuse, primary fuses and some of the individual fuses are located in the engine compartment. If the main fuse blows, no electrical component will function. If a primary fuse blows, no electrical component in the corresponding load group will function. When replacing the main fuse, a primary fuse or an individual fuse, use a genuine SUZUKI replacement. To remove a fuse, use the fuse puller provided in the fuse box. The amperage of each fuse is shown in the back of the fuse box cover.



60A243

⚠ WARNING

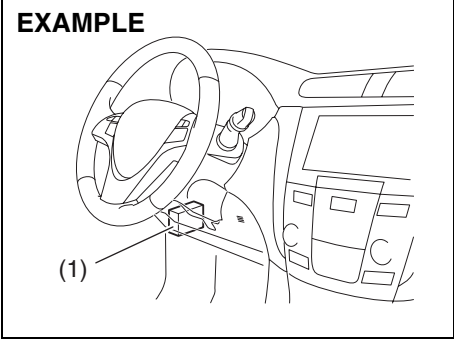
If the main fuse or a primary fuse blows, be sure to have your vehicle inspected by an authorized SUZUKI dealer. Always use a genuine SUZUKI replacement. Never use a substitute such as a wire even for a temporary fix, or extensive electrical damage and a fire can result.

NOTE:

Make sure that the fuse box always carries spare fuses.

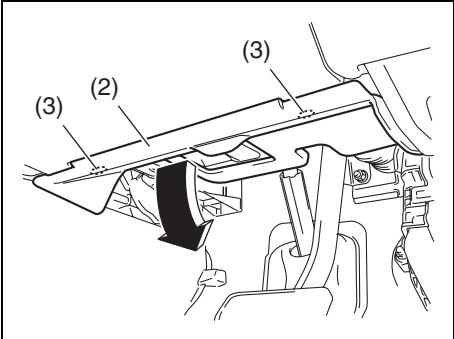
Fuses under the Dash Board

Driver's side



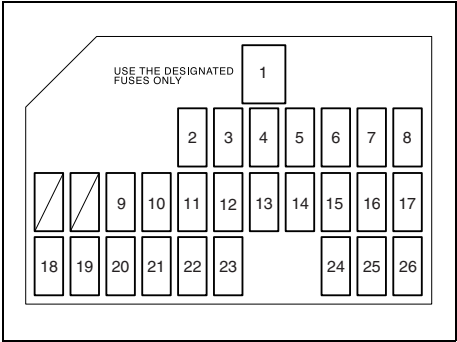
57L71012

(1) Driver's side fuse box



57L70027

(2) Dashboard undercover
(3) Clips



57L70034

NO.	AMPS	FUSE NAME
(1)	30A	Power window
(2)	15A	Windshield washer motor
(3)	20A	Seat heater
(4)	25A	Windshield wiper motor
(5)	7.5A	IG2 SIG
(6)	15A	Ignition coil
(7)	15A	Accessory 2
(8)	15A	Accessory
(9)	10A	ESP control module
(10)	7.5A	Cruise control

(11)	7.5A	IG1 SIG
(12)	7.5A	Blank
(13)	7.5A	Meter
(14)	10A	Back-up light
(15)	10A	Air bag
(16)	15A	Steering lock
(17)	7.5A	BCM
(18)	20A	Sunroof
(19)	7.5A	Blank
(20)	10A	Tail light
(21)	10A	Brake light
(22)	10A	Hazard
(23)	20A	Front power window (Left)
(24)	15A	Radio
(25)	10A	Dome light
(26)	20A	Door lock

The fuses are also located under the driver's side of the dashboard. To access these fuses, pull the dashboard undercover to release its clip engagements and then remove the undercover. The amperage of each fuse is shown on the top of the dashboard undercover.

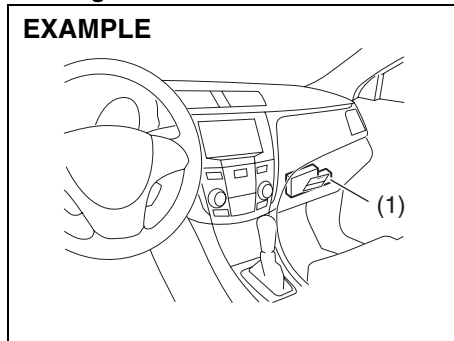
INSPECTION AND MAINTENANCE

CAUTION

Remove the dashboard undercover while being careful not to damage the wiring fitted on it. If the wiring is damaged, the courtesy lights will not work.

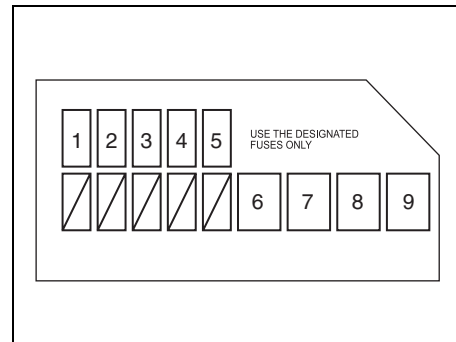
Passenger's side

EXAMPLE

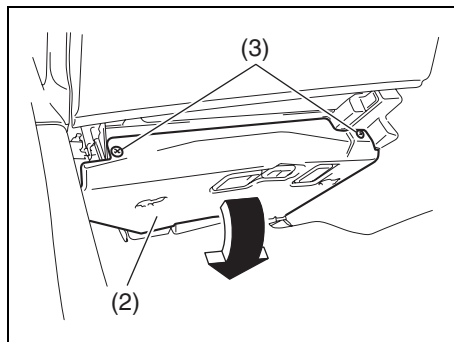


57L71013

(1) Passenger's side fuse box



57L70016



57L70030

(2) Dashboard undercover
(3) Screw

NO.	AMPS	FUSE NAME
(1)	20A	Rear power window (Right)
(2)	20A	Rear power window (Left)
(3)	20A	Front power window (Right)
(4)	15A	4WD
(5)	20A	Battery fan
(6)	20A	Audio
(7)	30A	Power seat (Right)
(8)	30A	Power seat (Left)
(9)	30A	Blank

The fuses are also located under the passenger's side of the dashboard. Remove the two screws and dashboard under cover. The amperage of each fuse is shown on the top of the dashboard under cover.

CAUTION

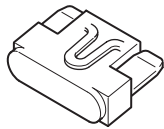
Remove the dashboard undercover while being careful not to damage the wiring fitted on it. If the wiring is damaged, the courtesy lights will not work.

⚠ WARNING

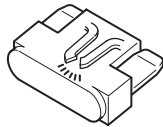
Always be sure to replace a blown fuse with a fuse of the correct amperage. Never use a substitute such as aluminum foil or wire to replace a blown fuse. If you replace a fuse and the new one blows in a short period of time, you may have a major electrical problem. Have your vehicle inspected immediately by your SUZUKI dealer.

Headlight Aiming

Since special procedures are required, we recommend you take your vehicle to your SUZUKI dealer for headlight alignment.



OK



BLOWN

81A283

Bulb Replacement

⚠ WARNING

- Light bulbs can be hot enough to burn your finger right after being turned off. This is true especially for halogen headlight bulbs. Replace the bulbs after they become cool enough.
- The headlight bulbs are filled with pressurized halogen gas. They can burst and injure you if they are hit or dropped. Handle them carefully.

CAUTION

The oils from your skin may cause a halogen bulb to overheat and burst when the lights are on. Grasp a new bulb with a clean cloth.

CAUTION

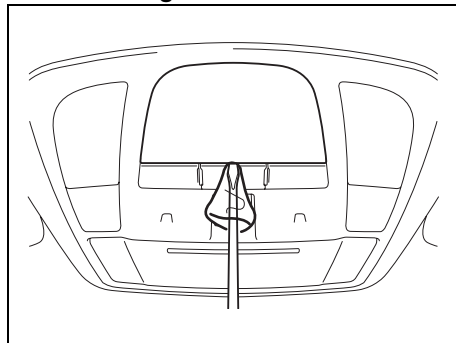
Frequent replacement of a bulb indicates the need for an inspection of the electrical system. This should be carried out by your SUZUKI dealer.

NOTE:

If it is difficult to replace headlight bulbs or position light bulbs due to under-hood components trust this job to your dealer.

Interior Light

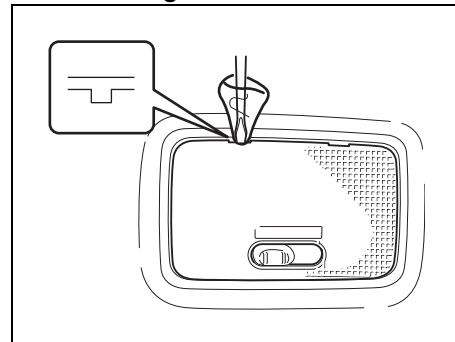
Front dome light



57L71014

Pull down the lens by using a flat blade screwdriver covered with a soft cloth as shown. To install it, simply push it back in.

Rear dome Light

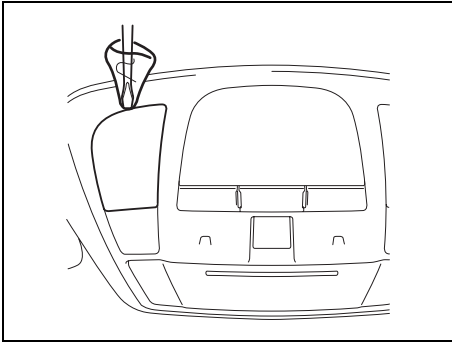


57L71015

Pull down the lens by using a flat blade screwdriver covered with a soft cloth as shown. To install it, simply push it back in.

The bulb can be removed by simply pulling it out. When replacing the bulb, make sure that the contact springs are holding the bulb securely.

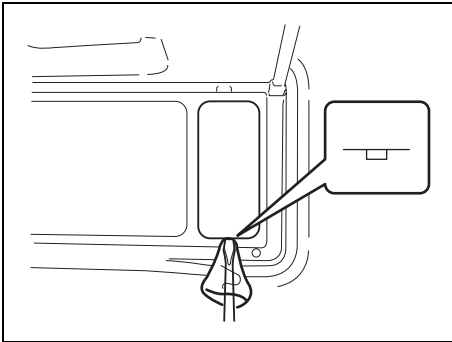
Spot light



57L71016

Pull down the lens by using a flat blade screwdriver covered with a soft cloth as shown. To install it, simply push it back in.

Vanity mirror light

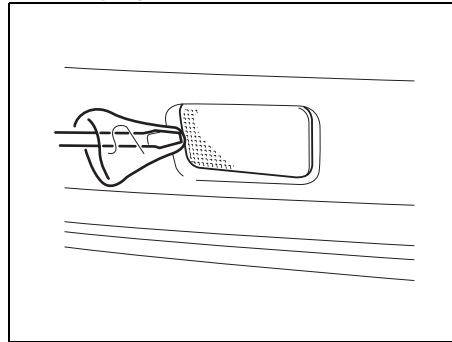


57L71017

Pull down the lens by using a flat blade screwdriver covered with a soft cloth as shown. To install it, simply push it back in.

The bulb can be removed by simply pulling it out. When replacing the bulb, make sure that the contact springs are holding the bulb securely.

Courtesy light



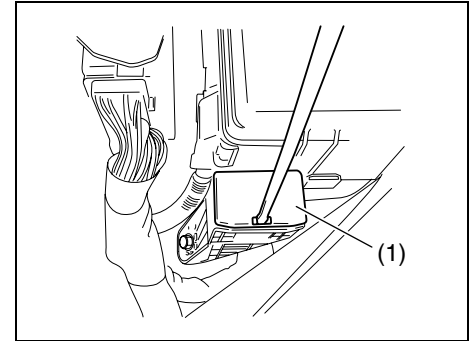
57L71018

Pull down the lens by using a flat blade screwdriver covered with a soft cloth as shown. To install it, simply push it back in.

Headlights

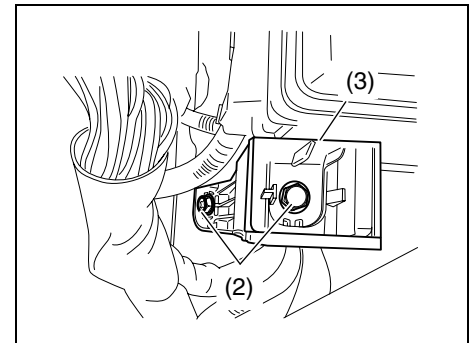
Low beam light

- 1) Open the engine hood.



57L71019

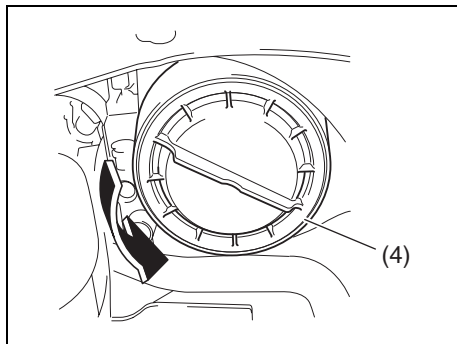
- 2) Remove the cover (1) using a flat blade screwdriver as shown in the illustration.



57L71020

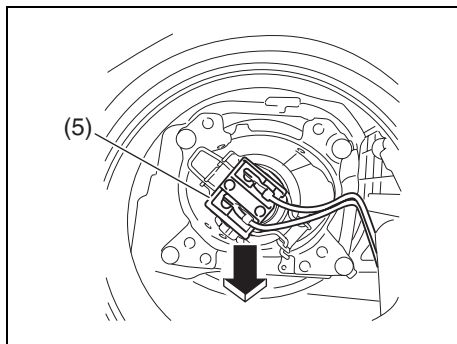
INSPECTION AND MAINTENANCE

- 3) Remove the bolts (2) to remove the bracket (3).



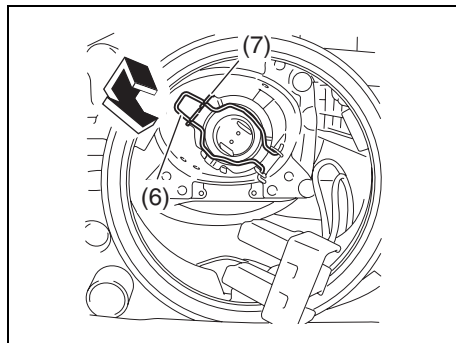
57L71021

- 4) Turn the cover (4) counterclockwise to remove it.



57L71022

- 5) Disconnect the coupler (5).

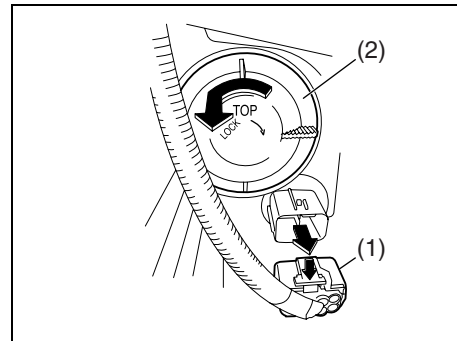


57L71023

- 6) Push the retainer (6) in the direction of the arrow (see the illustration) to detach it from the hook (7).
- 7) Replace the bulb, then follow the above steps in reverse to restore the original state.

High beam light

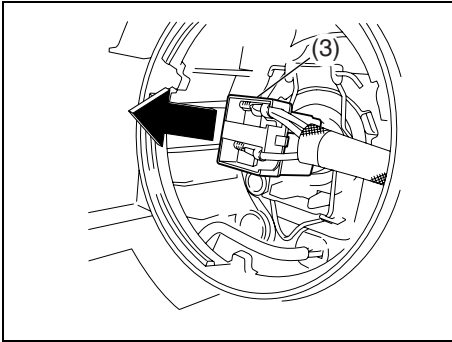
- 1) Open the engine hood.



57L70036

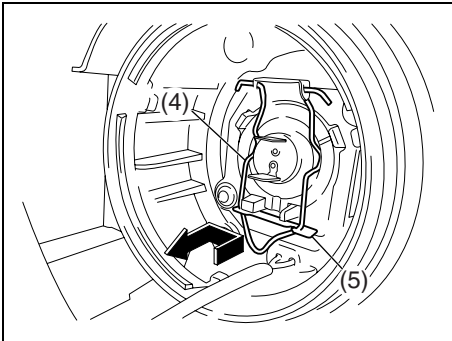
- 2) To create the space necessary for performing the steps that follow, disconnect the coupler (1) by pressing the claw.

- 3) Turn the cover (2) counterclockwise to remove it.



57L70037

- 4) Disconnect the coupler (3).

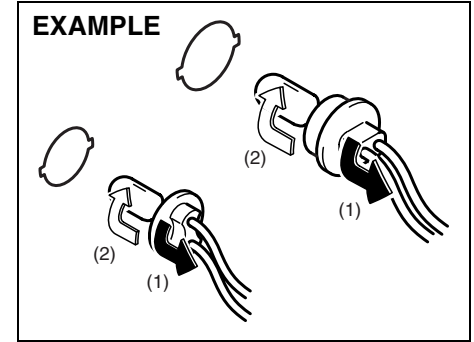


57L70038

- 5) Push the retainer (4) in the direction of the arrow (see the illustration) to detach it from the hook (5).
6) Replace the bulb, then follow the above steps in reverse to restore the original state.

Other General Lights

Bulb holder



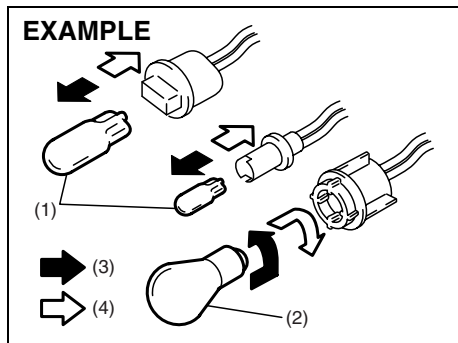
54G123

- (1) Removal
(2) Installation

To remove a bulb holder from a light housing, turn the holder counterclockwise and pull it out. To install the holder, push the holder in and turn it clockwise.

INSPECTION AND MAINTENANCE

Bulb



54G124

- (3) Removal
- (4) Installation

There are two types of bulb, "Full glass type" (1) and "Glass/metal type" (2).

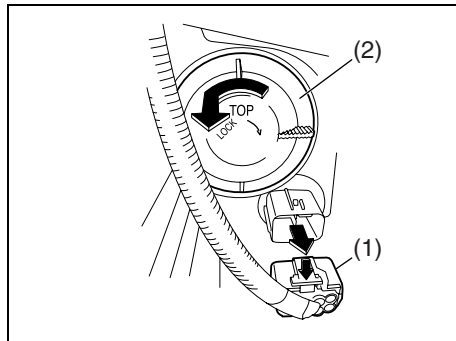
To remove and install a full glass type bulb (1), simply pull out or push in the bulb.

To remove a glass metal type bulb (2) from a bulb holder, push in the bulb and turn it counterclockwise. To install a new bulb, push it in and turn it clockwise.

You can access the individual bulb or bulb holders as follows.

Front parking lights

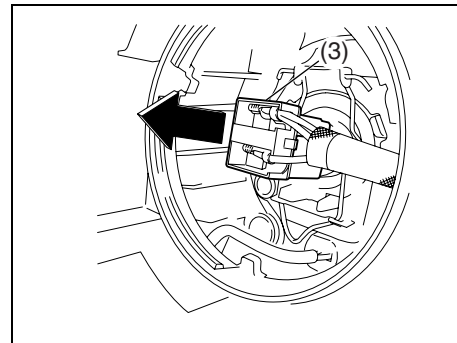
- 1) Open the engine hood.



57L70036

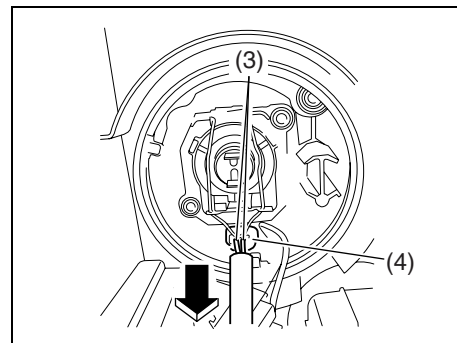
- 2) To create the space necessary for performing the steps that follow, disconnect the coupler (1) by pressing the claw.

- 3) Turn the cover (2) counterclockwise to remove it.



57L70037

- 4) Disconnect the coupler (3).



57L71027

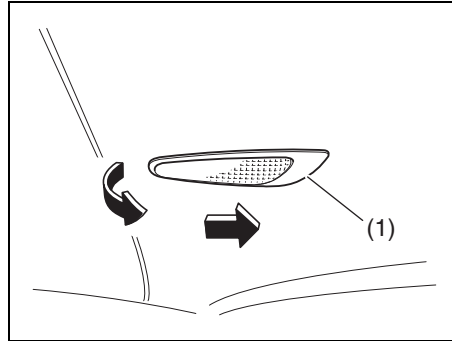
- 5) Pull on the cable (4) toward the rear of the vehicle to remove the bulb socket (5) from the parking light body.

NOTE:

You can remove the parking light's bulb socket only by pulling on the cable, but this method must never be used to remove the bulb sockets of any other lights.

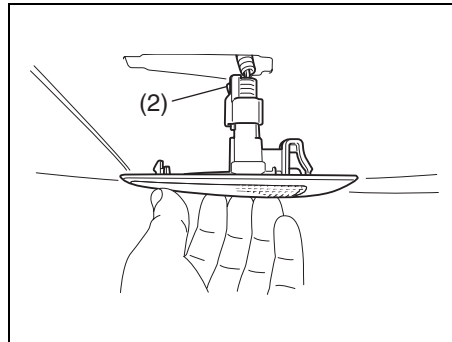
- 6) Replace the bulb, then follow the above steps in reverse to restore the original state.

Side turn signal lights



57L71028

- 1) Pull out the rear end of the side turn signal light (1) while pushing it toward the front of the vehicle as shown in the illustration.



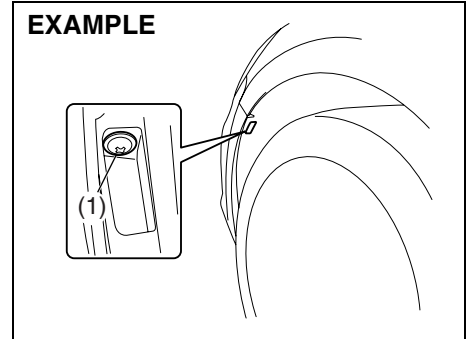
57L71029

- 2) Disconnect the coupler while pushing the lock release (2) on it.
- 3) Replace the side turn signal light (1), then follow the above steps in reverse to restore the original state.

Front fog light (if equipped)

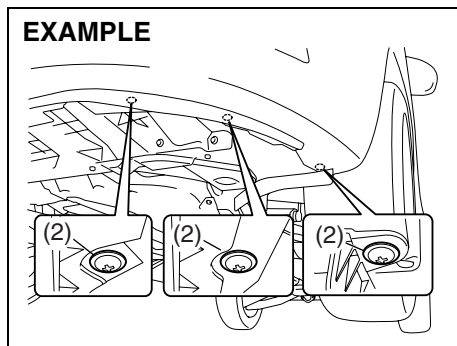
- 1) Start the engine. To facilitate bulb replacement, turn the steering wheel away from the front fog light whose bulb is to be replaced, then turn off the engine.

EXAMPLE

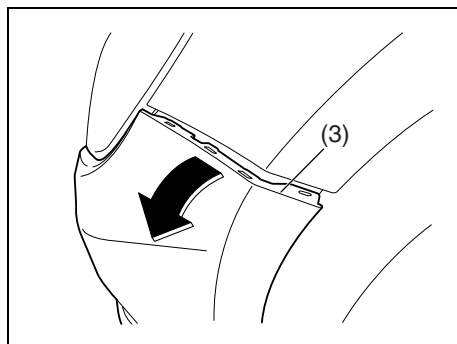


57L70039

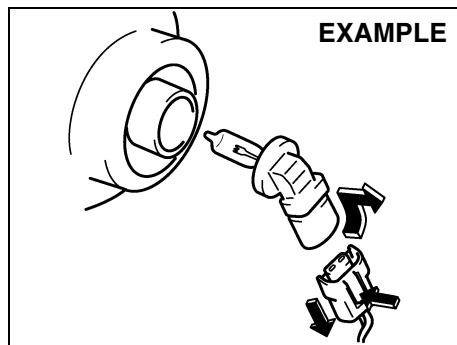
- 2) Remove the screw (1).



3) Remove the screws (2).



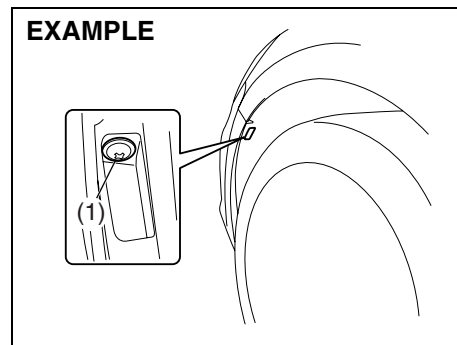
4) Remove the part of the bumper (3) indicated in the illustration.



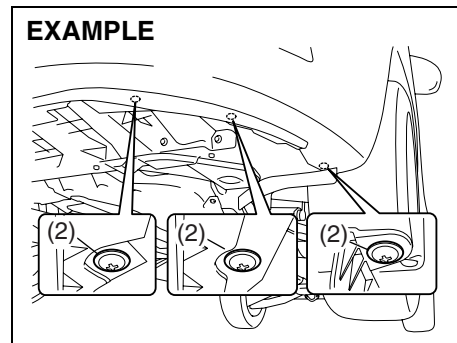
- 5) Disconnect the coupler with pushing the lock release. Turn the bulb holder counterclockwise and remove it.
- 6) Replace the bulb, then follow the above steps in reverse to restore the original state.

Side marker lights

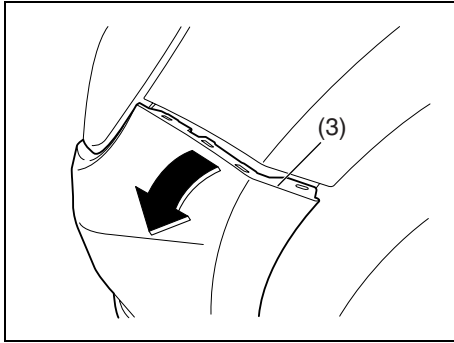
- 1) Start the engine. To facilitate bulb replacement, turn the steering wheel away from the side marker light whose bulb is to be replaced, then turn off the engine.



2) Remove the screw (1).

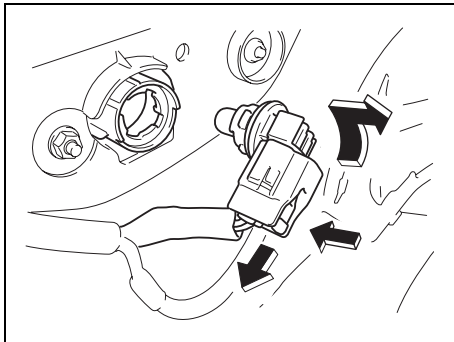


3) Remove the screws (2).



57L70041

- 4) Remove the part of the bumper (3) indicated in the illustration.



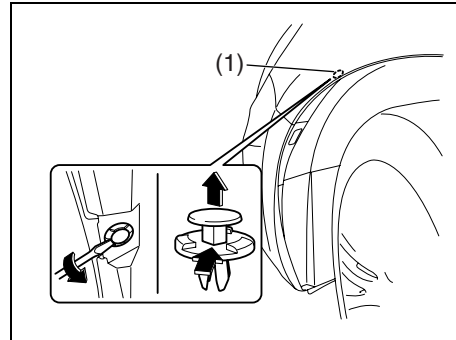
57L71030

- 5) Disconnect the coupler with pushing the lock release. Turn the bulb holder counterclockwise and remove it.

- 6) Replace the bulb, then follow the above steps in reverse to restore the original state.

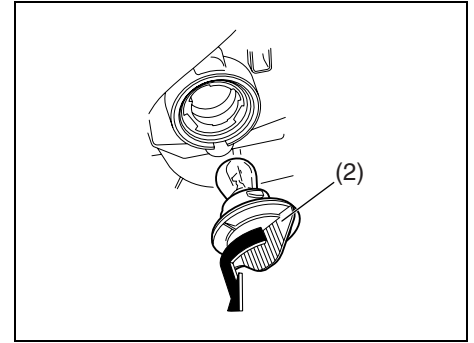
Front turn signal lights

- 1) Start the engine. To facilitate bulb replacement, turn the steering wheel away from the front turn signal light whose bulb is to be replaced, then turn off the engine.



57L70044

- 2) Insert a flat blade screwdriver into the hole and remove the clip (1) by twisting the screwdriver as shown in the illustration.

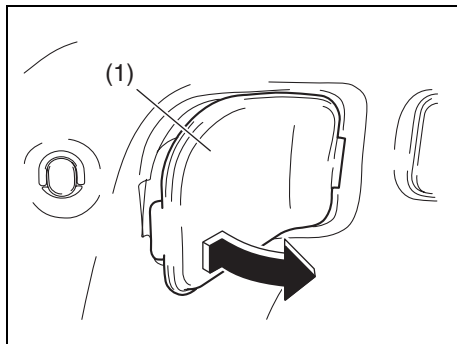


57L70045

- 3) Open the indicated end of the cover on the inside of the fender and remove the bulb socket (2) by turning it counterclockwise.
- 4) Replace the bulb, then follow the above steps in reverse to restore the original state.

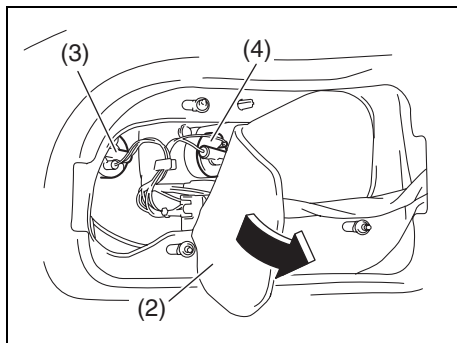
INSPECTION AND MAINTENANCE

Rear combination lights (reversing/turn signal/brake/tail lights)

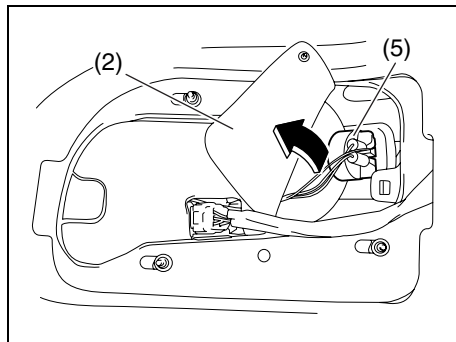


57L70019

- 1) Remove the side trim (1) inside the trunk.



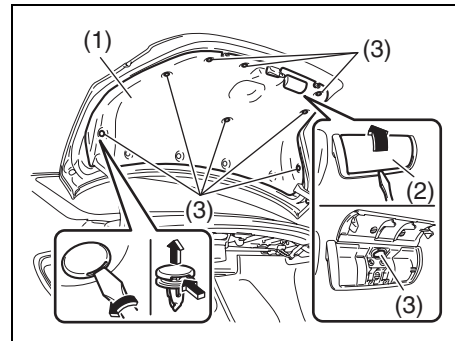
57L70020



57L71036

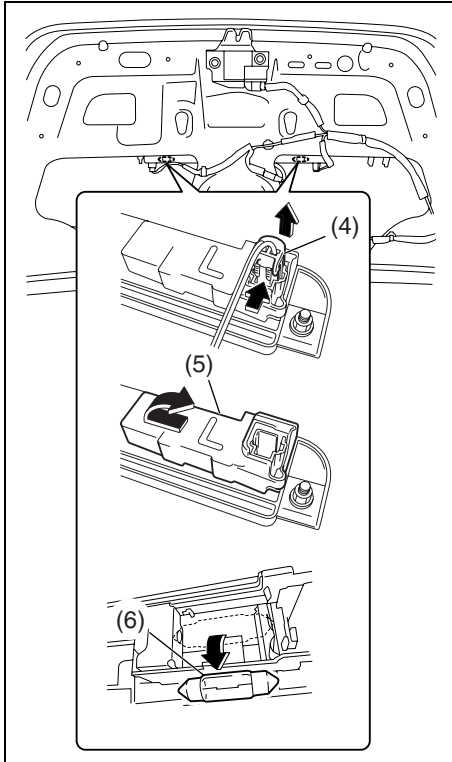
- (3) Reversing light
 - (4) Rear turn signal light
 - (5) Brake/tail light
- 2) Open the indicated end of the rubber foam cover (2) to access the lights and replace the blown bulb(s).
 - 3) Replace the blown bulb(s), then follow the above steps in reverse to restore the original state.

License plate light



57L70022

- 1) Open the trunk lid and open the indicated end of the trim (1) on the inner side of the lid.
 - When opening the trim, remove the cover (2) and clips (3) by prying them off with a flat blade screwdriver.



57L70035

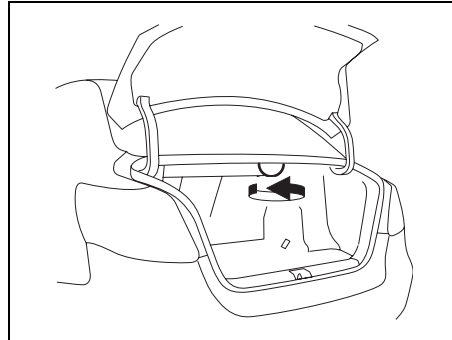
- 2) Disconnect the coupler (4) with pushing the lock release.
- 3) Remove the cover (5).

- 4) Replace the bulb (6), then perform the operations in 1) in the reverse order to restore the original state.

NOTE:

- Make sure that the bulb is fitted correctly in the holder.
- The right-side cover is marked "R" while the left-side cover is marked "L".

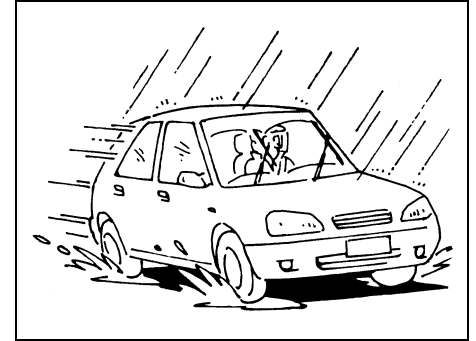
Trunk room light



57L71033

- 1) Open the trunk lid and remove the lens by turning it counterclockwise.
- 2) Replace the bulb, then perform the operations in 1) in the reverse order to restore the original state.

Wiper Blades



80G083

If the wiper blades become brittle or damaged, or make streaks when wiping, replace the wiper blades.

To install new wiper blades, follow the procedures below.

CAUTION

To avoid scratching or breaking the window, do not let the wiper arm strike the window while replacing the wiper blade.

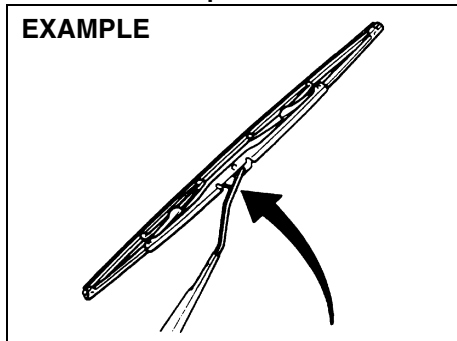
NOTE:

Some wiper blades may be different from the ones described here depending on vehicle specifications. If so, consult your SUZUKI dealer for proper replacement method.

INSPECTION AND MAINTENANCE

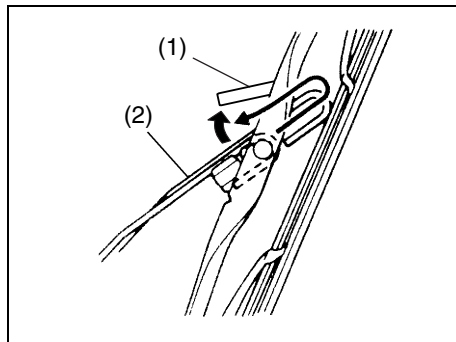
For windshield wipers

EXAMPLE



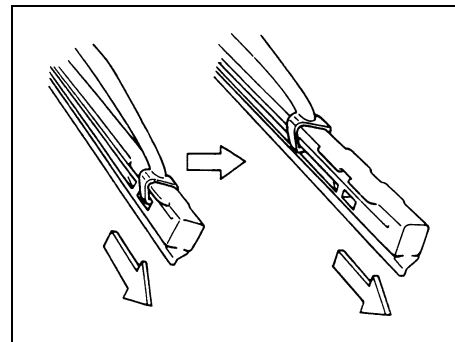
70G119

- 1) Hold the wiper arm away from the window.



57L71038

- 2) Squeeze lock lever (1) towards wiper arm (2) and remove the wiper frame from the arm as shown.

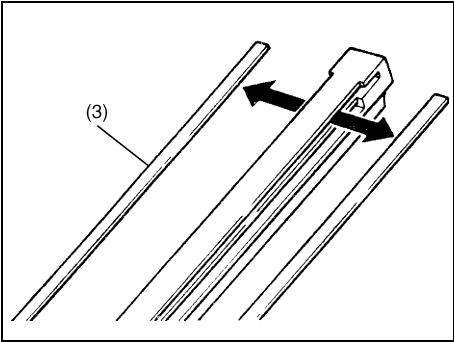


60A260

- 3) Pull the locked end of the wiper blade firmly to unlock the blade and slide the blade out as shown.

NOTE:

When raising both of the front wiper arms, pull the driver's side wiper arm up first. When returning the wiper arms, lower the passenger's side wiper arm first. Otherwise, the wiper arms may interfere with each other.

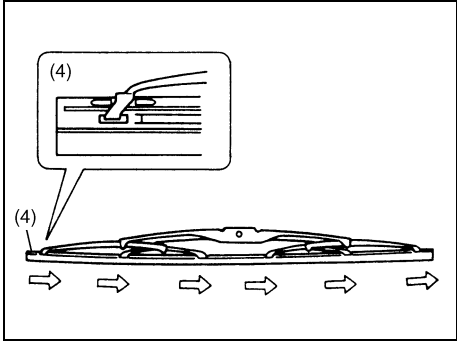


52D124

(3) Retainer

4) If the new blade is provided without the two metal retainers, move them from the old blade to the new one.

Installation

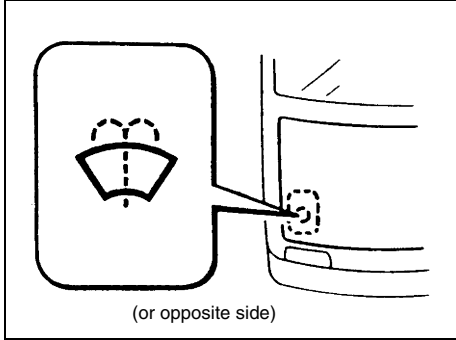


52D125

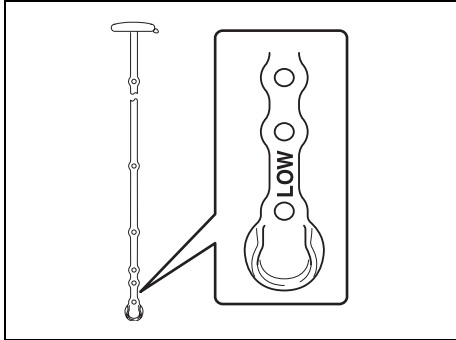
(4) Locked end

- 5) Install the new blade in the reverse order of removal, with the locked end positioned toward the wiper arm. Make sure the blade is properly retained by all the hooks. Grasp the blade near the locked end and pull in the direction of the arrows to lock the end into place.
- 6) Reinstall wiper frame to arm, making sure that the lock lever is snapped securely into the arm.

Windshield Washer Fluid



80JM078



57L71034

Check that there is washer fluid in the tank by looking at the washer fluid level gauge which is attached to the cap of the washer fluid tank. If the fluid level is near "LOW" mark, refill it.

Use a good quality windshield washer fluid, diluted with water as necessary.

WARNING

Do not use "anti-freeze" solution in the windshield washer reservoir. This can severely impair visibility when sprayed on the windshield, and also damage your vehicle's paint.

CAUTION

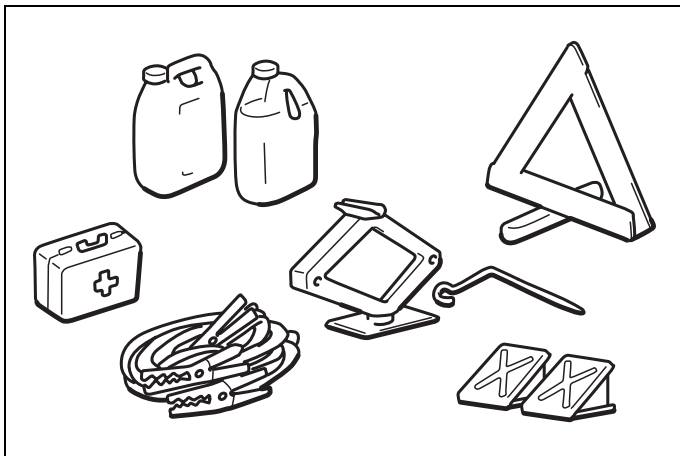
Damage may result if the washer motor is operated with no fluid in the washer tank.

Air Conditioning System

If you do not use the air conditioner for a long period, such as during winter, it may not give the best performance when you start using it again. To help maintain optimum performance and durability of your air conditioner, it needs to be run periodically. Operate the air conditioner at least once a month for one minute with the engine idling. This circulates the refrigerant and oil and helps protect the internal components.

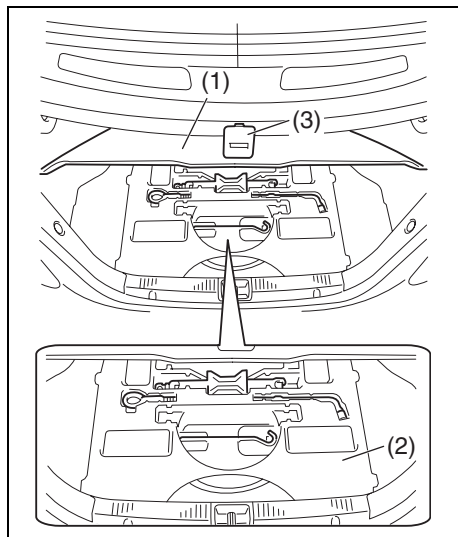
EMERGENCY SERVICE

Tire Changing Tool	8-1
Jacking Instructions	8-2
Changing Wheels	8-5
Jump Starting Instructions	8-6
Towing a Disabled Vehicle	8-7
If the Starter Does Not Operate	8-7
If the Engine is Flooded	8-8
If the Engine Overheats	8-8



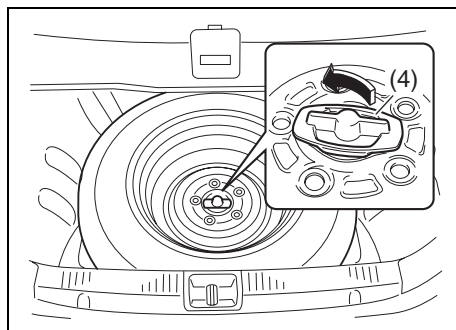
60G411

Tire Changing Tool



57L81001

The jack wheel brace and jack handle are stowed in the luggage under-box (2) under the trunk floorboard (1). The floorboard can be kept raised using the hook (3).



57L81002

To remove the spare tire, remove the lug-nut under-box (2) and turn the bolt (4) counterclockwise.

⚠ WARNING

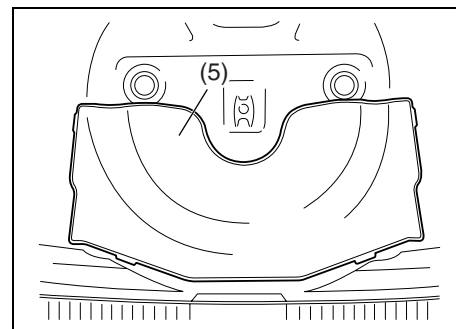
The jack should be used only to change wheels. It is important to read the jacking instructions in this section before attempting to use the jack.

⚠ WARNING

After using the jack, jack handle and wheel brace, be sure to stow them securely or they can cause injury if an accident occurs.

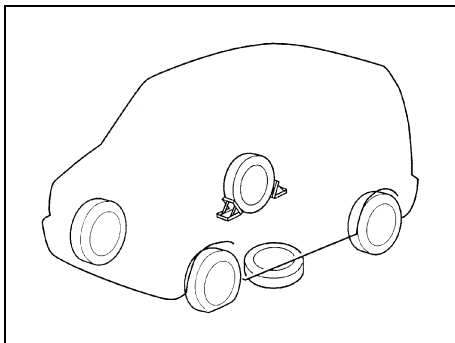
CAUTION

Do not remove the spacer (5) under the spare tire. The spare tire cannot be held firmly without the spacer in position.



57L81003

Jacking Instructions



75F062

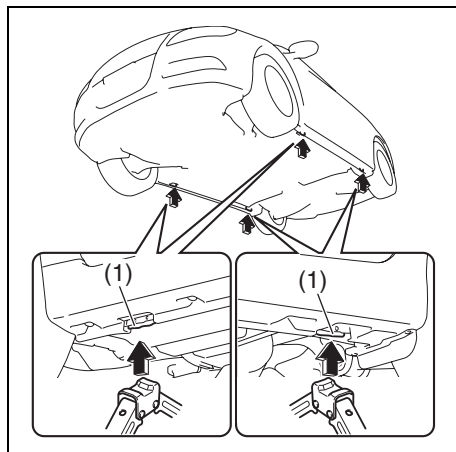
- 1) Place the vehicle on level, hard ground.
- 2) Set the parking brake firmly and shift into "P" (Park) if your vehicle has a CVT, or shift into "R" (Reverse) if your vehicle has a manual transaxle.

WARNING

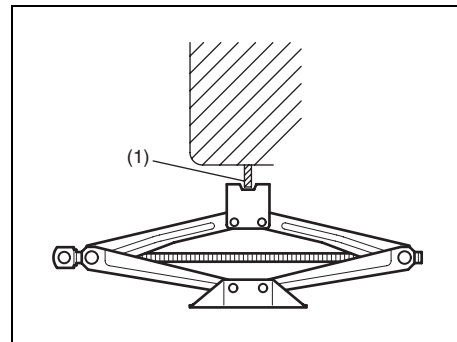
- Be sure to shift into "P" (Park) for a CVT vehicle, or into "R" (Reverse) for a manual transaxle vehicle when you jack up the vehicle.
- Never jack up the vehicle with the transaxle in "N" (Neutral). Otherwise, an unstable jack may cause an accident.

- 3) Turn on the hazard warning flasher if your vehicle is near traffic.

- 4) Block the front and rear of the wheel diagonally opposite of the wheel being lifted.
- 5) Place the spare wheel near the wheel being lifted as shown in the illustration in case that the jack slips.



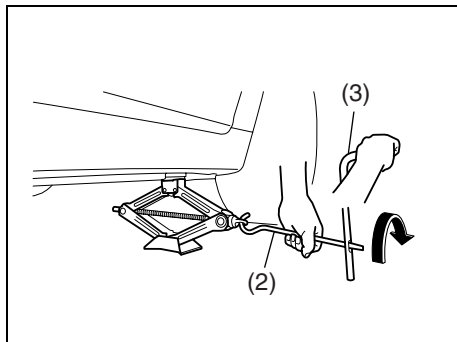
57L70047



79K058

- (1) Jacking point

- 6) Position the jack as shown in the illustration and raise the jack by turning the jack-head groove fits around the jacking point beneath the vehicle body.



57L70032

- (2) Jack handle
- (3) Wheel brace

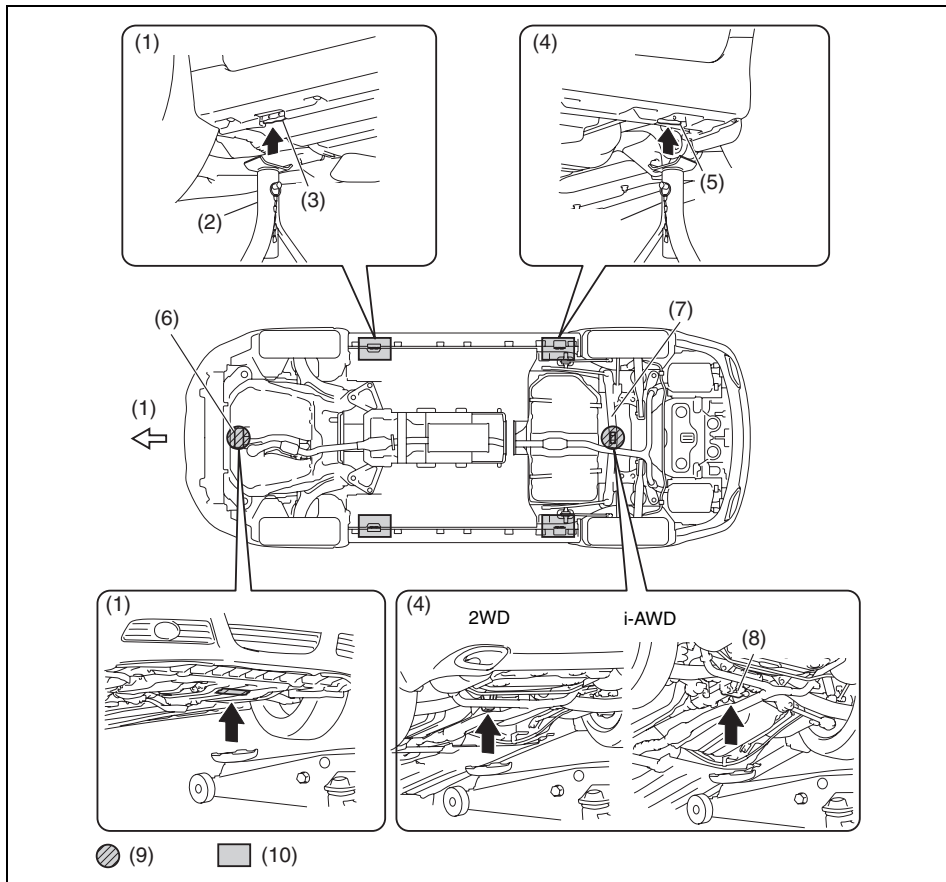
7) Continue to raise the jack slowly and smoothly until the tire clears the ground. Do not raise the vehicle more than necessary.

⚠ WARNING

- Use the jack only to change wheels on level, hard ground.
- Never jack up the vehicle on an inclined surface.
- Never raise the vehicle with the jack in a location other than the specified jacking point (shown in the illustration) near the wheel to be changed.
- Make sure that the jack is raised at least 51 mm (2 inches) before it contacts the flange. Use of the jack when it is within 51 mm (2 inches) of being fully collapsed may result in failure of the jack.
- Never get under the vehicle when it is supported by the jack.
- Never run the engine when the vehicle is supported by the jack and never allow passengers to remain in the vehicle.

To Raise the Vehicle with a Garage Jack

- Apply the garage jack to one of the points indicated below.
- Always support the raised vehicle with jack stands (commercially available) at the points indicated below.



- (1) Front
- (2) Jack stand
- (3) Jacking point for onboard jack (Do not use this point for a jack stand.)
- (4) Rear
- (5) Jacking point for onboard jack
- (6) Front suspension frame
- (7) Rear suspension frame
- (8) Differential carrier
- (9) Jacking point for garage jack
- (10) Application point for two-column lift and jack stand

CAUTION

Never apply a garage jack to the exhaust pipe or engine undercover.

NOTE:

For more details, please contact an authorized SUZUKI dealer.

57L70048

Changing Wheels

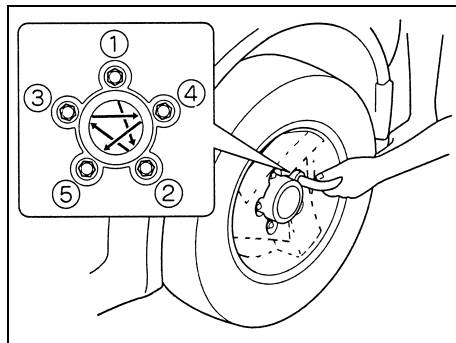
To change a wheel, use the following procedure:

- 1) Remove the jack, tools and spare wheel from the vehicle.
- 2) Loosen, but do not remove the wheel nuts.
- 3) Jack up the vehicle (follow the jacking instructions in this section).

▲ WARNING

- Be sure to shift into “P” (Park) in CVT, or shift into “R” (Reverse) in manual transaxle when you jack up the vehicle.
- Never jack up the vehicle with the transaxle in “N” (Neutral). Otherwise, unstable jack may cause an accident.

- 4) Remove the wheel nuts and wheel.
- 5) Before installing the new wheel, clean any mud or dirt off from the surface of the nuts wheel and hub with a clean cloth. Clean the hub carefully; it may be hot from driving.
- 6) Install the new wheel and replace the wheel nuts with their cone shaped end facing the wheel. Tighten each nut snugly by hand until the wheel is securely seated on the hub.



81A057

Wheel tightening torque

140 Nm (103.3 lb-ft, 14.3 kg-m)

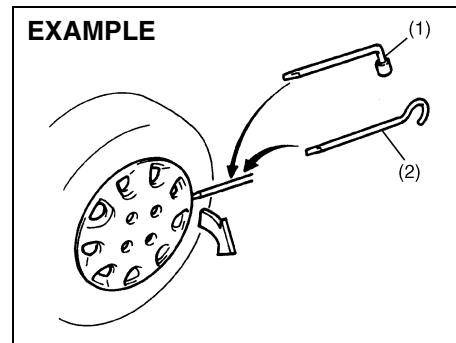
- 7) Lower the jack and fully tighten the nuts in a crisscross fashion with a wrench as shown in the illustration.

▲ WARNING

Use genuine wheel nuts and tighten them to the specified torque as soon as possible after changing wheels. Incorrect wheel nuts or improperly tightened wheel nuts may come loose or fall off, which can result in an accident. If you do not have a torque wrench, have the wheel nut torque checked by an authorized SUZUKI dealer.

Full Wheel Cover (if equipped)

EXAMPLE



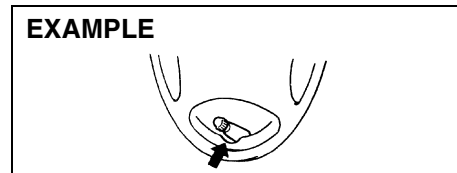
60G309

(1) or (2) Flat end tool

Your vehicle includes two tools, a wheel brace and a jack crank, one of which has a flat end.

Use the tool with the flat end to remove the full wheel cap, as shown above.

EXAMPLE



54G117

When installing the cover, make sure that it is positioned so that it does not cover or foul the air valve.

Jump Starting Instructions

⚠ WARNING

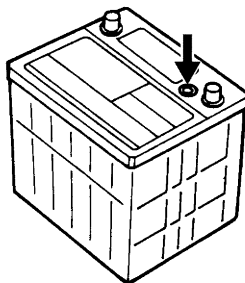
- Never attempt to jump start your vehicle if the battery appears to be frozen. Batteries in this condition may explode or rupture if jump starting is attempted.
- When making jumper cable connections, be certain that your hands and the jumper cables remain clear from pulleys, belts or fans.
- Batteries produce flammable hydrogen gas. Keep flames and sparks away from the battery or an explosion may occur. Never smoke when working near the battery.
- If the booster battery you use for jump starting is installed in another vehicle, make sure the two vehicles are not touching each other.
- If your battery discharges repeatedly, for no apparent reason, have your vehicle inspected by an authorized SUZUKI dealer.
- To avoid harm to yourself or damage to your vehicle or battery, follow the jump starting instructions below precisely and in order. If you are in doubt, call for qualified road service.

CAUTION

Your vehicle should not be started by pushing or towing. This starting method could result in permanent damage to the catalytic converter. Use jumper cables to start a vehicle with a weak or run-down battery.

When jump starting your vehicle, use the following procedure:

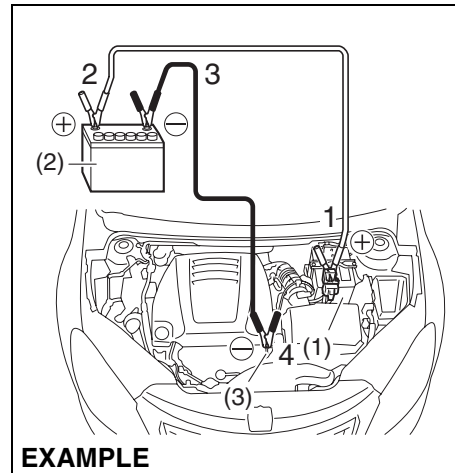
12V BATTERY



60A269

- 1) Use only a 12-volt battery to jump start your vehicle. Position the good 12-volt battery close to your vehicle so that the jumper cables will reach both batteries. When using a battery installed on another vehicle, DO NOT LET THE VEHICLES TOUCH. Set the parking brakes fully on both vehicles.

- 2) Turn off all vehicle accessories, except those necessary for safety reasons (for example, headlights or hazard lights).



57L81004

- 3) Make jumper cable connections as follows:
 1. Connect one end of the first jumper cable to the positive (+) terminal of the discharged battery (1).
 2. Connect the other end to the positive (+) terminal of the booster battery (2).
 3. Connect one end of the second jumper cable to the negative (-) terminal of the booster battery (2).

4. Make the final connection to an unpainted, heavy metal part (i.e. engine hook (3)) of the engine of the vehicle with the discharged battery (1).

⚠ WARNING

Never connect the jumper cable directly to the negative (–) terminal of the discharged battery, or an explosion may occur.

- 4) If the booster battery you are using is installed on another vehicle, start the engine of the vehicle with the booster battery. Run the engine at moderate speed.
- 5) Start the engine of the vehicle with the discharged battery.
- 6) Remove the jumper cables in the exact reverse order in which you connected them.

Towing a Disabled Vehicle

Emergency Towing

If your vehicle is disabled, it may be towed by a tow truck using one of the following methods:

- 1) Tow the vehicle with two wheels lifted by the tow truck and the other two wheels on a towing dolly.
- 2) Use the appropriate towing method specified for your vehicle in the “Towing Your Vehicle (recreational towing)” section, but with the wheels lifted by the tow truck instead of on a towing dolly. Be sure to carefully follow the specific instructions provided in the “Towing Your Vehicle (recreational towing)” section.

CAUTION

If vehicle damage (such as steering or drivetrain damage, etc.) prevents normal use of the towing procedures for your vehicle described in the “Towing Your Vehicle (recreational towing)” section, have your vehicle towed with two wheels lifted by the tow truck and the other two wheels on a towing dolly.

If the Starter Does Not Operate

- 1) While bringing the remote controller with you, place the gearshift lever in the “P” position and depress the brake pedal.
- 2) Try pressing the engine switch to change the ignition mode to “START” with the headlights turned on to determine the battery condition. If the headlights go excessively dim or go off, it usually means that either the battery has run down or battery terminal contact is poor. Recharge the battery or correct battery terminal contact if necessary.
- 3) If the headlights remain bright, check the fuses. If the reason for failure of the starter is not obvious, there may be a major electrical problem. Have the vehicle inspected by your authorized SUZUKI dealer.

If the Engine is Flooded

If the engine is flooded with gasoline, it may be hard to start. If this happens, press the accelerator pedal all the way to the floor and hold it there while cranking the engine. (Do not operate the starter motor for more than 12 seconds).

NOTE:

If the engine refuses to start, the starter motor automatically stops after a certain period of time. After the starter motor has automatically stopped or there is anything abnormal in the engine starting system, the starter motor runs only while the engine switch is held pressed.

If the Engine Overheats

The engine could overheat temporarily under severe driving conditions. If the engine coolant temperature gauge indicates overheating during driving:

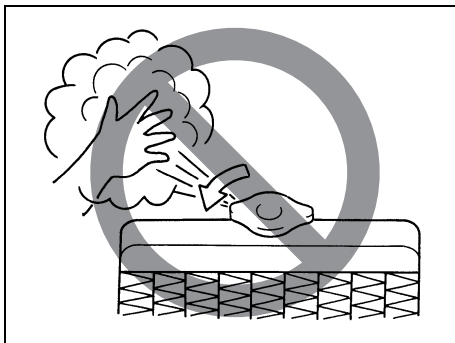
- 1) Turn off the air conditioner, if equipped.
- 2) Take the vehicle to a safe place and park.
- 3) Let the engine run at normal idle speed for a few minutes until the indicator is within the normal, acceptable temperature range shown by the white band between "H" and "C".

WARNING

If you see or hear escaping steam, stop the vehicle in a safe place and immediately turn off the engine to let it cool. Do not open the hood when steam is present. When the steam can no longer be seen or heard, open the hood to see if the coolant is still boiling. If it is, you must wait until it stops boiling before you proceed. Also, be careful not to touch hot engine parts (radiator, water hoses, engine etc.).

If the temperature indication does not come down to within the normal, acceptable range:

- 1) Turn off the engine and check that the water pump belt and pulleys are not damaged or slipping. If any abnormality is found, correct it.
- 2) Check the coolant level in the reservoir. If it is found to be lower than the "LOW" line, look for leaks at the radiator, water pump and radiator and heater hoses. If you locate any leaks that may have caused the overheating, do not run the engine until these problems have been corrected.
- 3) If you do not find a leak, carefully add coolant to the reservoir and then the radiator, if necessary. (Refer to "Engine Coolant" in the "INSPECTION AND MAINTENANCE" section.)



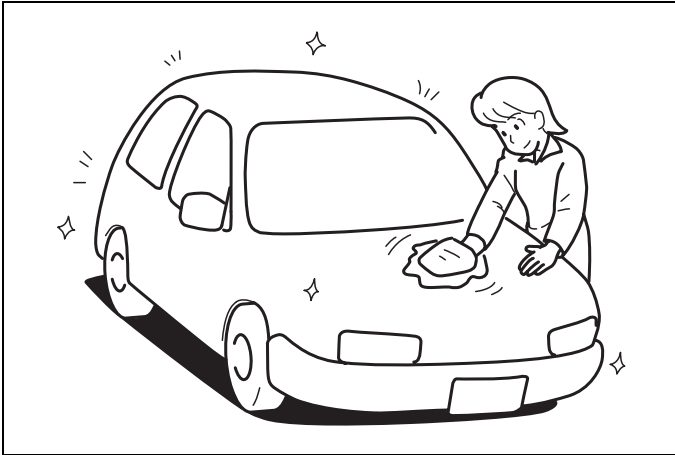
65D614

⚠ WARNING

- It is hazardous to remove the radiator cap when the water temperature is high, because scalding fluid and steam may be blown out under pressure. The cap should only be taken off when the coolant temperature has lowered.
- To prevent personal injury, keep hands, tools and clothing away from the engine cooling fan and air-conditioner fan (if equipped). These electric fans can automatically turn on without warning.

APPEARANCE CARE

Corrosion Prevention	9-1
Vehicle Cleaning	9-3



60G412

Corrosion Prevention

It is important to take good care of your vehicle to protect it from corrosion.

Listed below are instructions for how to maintain your vehicle to prevent corrosion. Please read and follow these instructions carefully.

Important Information About Corrosion

Common causes of corrosion

- 1) Accumulation of road salt, dirt, moisture or chemicals in hard-to-reach areas of the vehicle underbody or frame.
- 2) Chipping, scratches and any damage to treated or painted metal surfaces resulting from minor accidents or impact from stones and gravel.

Environmental conditions which accelerate corrosion

- 1) Road salt, dust control chemicals, sea air or industrial pollution will all accelerate the corrosion of metal.
- 2) High humidity will increase the rate of corrosion particularly when the temperature range is just above the freezing point.
- 3) Moisture in certain areas of a vehicle for an extended period of time may promote corrosion even though other body sections may be completely dry.
- 4) High temperatures will cause an accelerated rate of corrosion to parts of the

vehicle which are not well ventilated to permit quick drying.



52D151

This information illustrates the necessity of keeping your vehicle (particularly the underbody) as clean and dry as possible. It is equally important to repair any damage to the paint or protective coatings as soon as possible.

How to Help Prevent Corrosion

Wash your vehicle frequently

The best way to preserve the finish on your vehicle and to help avoid corrosion is to keep it clean with frequent washing.

Wash your vehicle at least once during the winter and once immediately after the winter. Keep your vehicle, particularly the underside, as clean and dry as possible.

If you frequently drive on salted roads, your vehicle should be washed at least once a month during the winter. If you live near the ocean, your vehicle should be washed at least once a month throughout the year.

For washing instructions, refer to the "Vehicle Cleaning" section.

Remove foreign material deposits

Foreign material such as salts, chemicals, road oil or tar, tree sap, bird droppings and industrial fall-out may damage the finish of your vehicle if it is left on painted surfaces. Remove these types of deposits as quickly as possible. If these deposits are difficult to wash off, an additional cleaner may be required. Be sure that any cleaner you use is not harmful to painted surfaces and is specifically intended for your purposes. Follow the manufacturer's directions when using these special cleaners.

Repair finish damage

Carefully examine your vehicle for damage to the painted surfaces, especially if it is used off-road. Should you find any chips or scratches in the paint, touch them up immediately to prevent corrosion from starting. If the chips or scratches have gone through to the bare metal, have a qualified body shop make the repair.

Keep passenger and cargo compartments clean

Moisture, dirt or mud can accumulate under the floor mats and may cause corrosion. Occasionally, check under these mats to ensure that this area is clean and dry. More frequent checks are necessary if the vehicle is used off road or in wet weather.

Certain cargo such as chemicals, fertilizers, cleaners, salts, etc. are extremely corrosive by nature. These products should be transported in sealed containers. If a spill or leak does occur, clean and dry the area immediately.

Use the body trim

The use of the body trim will help protect your vehicle, especially if you frequently drive on gravel or salted roads. The fittings for such guards should also be corrosion resistant. Please check with your authorized SUZUKI dealer for information on these guards.

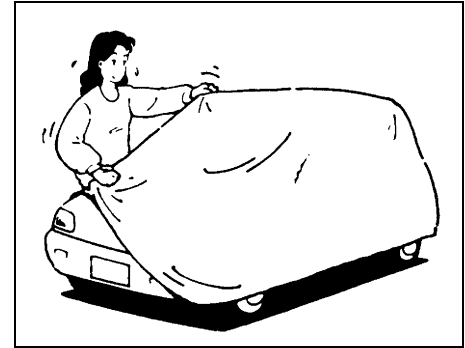
Store your vehicle in a dry, well-ventilated area

Do not park your vehicle in a damp, poorly ventilated area. If you often wash your vehicle in the garage or if you frequently drive it in when wet, your garage may be damp. The high humidity in the garage may cause or accelerate corrosion. A wet vehicle may corrode even in a heated garage if the ventilation is poor.

WARNING

Do not apply additional undercoating or rust preventive coating on or around exhaust system components such as the catalytic converter, exhaust pipes, etc. A fire could be started if the undercoating substance becomes overheated.

Cover your vehicle



50G203

If you cannot regularly park your vehicle in a garage, we recommend you use a vehicle cover. Years of exposure to midday sun can cause the colors in paint, plastic parts and fabrics to fade. Covering your vehicle with a high-quality, "breathable" vehicle cover can help protect the finish from the harmful UV rays in sunlight, and can reduce the amount of dust and air pollution reaching the surface. Your SUZUKI dealer can help you select the right cover for your vehicle.

Vehicle Cleaning



76G044S

⚠ WARNING

When cleaning the interior or exterior of the vehicle, NEVER USE flammable solvents such as lacquer thinners, gasoline, benzene or cleaning materials such as bleaches and strong household detergents. The materials could cause personal injury or damage to the vehicle.

Cleaning Interior

Vinyl upholstery

Prepare a solution of soap or mild detergent mixed with warm water. Apply the solution to the vinyl with a sponge or soft cloth and let it soak for a few minutes to loosen dirt. Rub the surface with a clean,

damp cloth to remove dirt and the soap solution. If some dirt still remains on the surface, repeat this procedure.

Fabric upholstery

Remove loose dirt with a vacuum cleaner. Using a mild soap solution, rub stained areas with a clean damp cloth. To remove soap, rub the areas again with a cloth dampened with water. Repeat this until the stain is removed, or use a commercial fabric cleaner for tougher stains. If you use a fabric cleaner, carefully follow the manufacturer's instructions and precautions.

Leather upholstery

Remove loose dirt with a vacuum cleaner. Using a mild soap or saddle soap solution, wipe dirt off with a clean damp soft cloth. To remove soap, wipe the areas again with a soft cloth dampened with water. Wipe the areas dry with a soft dry cloth. Repeat this until the dirt or stain is removed, or use a commercial leather cleaner for tougher dirt or stains. If you use a leather cleaner, carefully follow the manufacturer's instructions and precautions. Do not use solvent type cleaners or abrasive cleaners.

NOTE:

- *In order to keep leather upholstery looking good, it should be cleaned at least twice a year.*
- *If leather upholstery becomes wet, immediately wipe it dry with tissue paper*

or a soft cloth. Water may cause leather to harden and shrink if it is not wiped off.

- *When parking on sunny days, select a shady place or use a sunshade. If leather upholstery is exposed to direct sunlight for a long time, it may discolor and shrink.*
- *As is common with natural materials, leather is inherently irregular in grain and cowhide has spots in its natural state. These do not affect the performance of the leather in any way.*

Seat belts

Clean seat belts with a mild soap and water. Do not use bleach or dye on the belts. They may weaken the fabric in the belts.

Vinyl floor mats

Ordinary dirt can be removed from vinyl with water or mild soap. Use a brush to help loosen dirt. After dirt is loosened, rinse the mat thoroughly with water and dry it in the shade.

Carpets

Remove dirt and soil as much as possible with a vacuum cleaner. Using a mild soap solution, rub stained areas with a clean damp cloth. To remove soap, rub the areas again with a cloth dampened with water. Repeat this until the stain is removed, or use a commercial carpet cleaner for tougher stains. If you use a carpet cleaner,

carefully follow the manufacturer's instructions and precautions.

Instrument panel and console

NOTE:

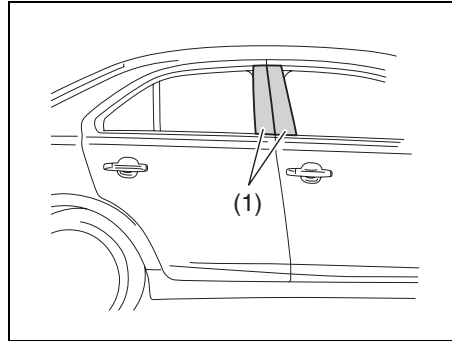
Wipe up spills containing chemicals, alcohol, etc., immediately with a soft, damp cloth. Use a mild soap solution if necessary. Do not use cleaners or polishes containing strong solvents or acidic solutions. These chemicals may stain and discolor the instrument panel and console.

Cleaning the Exterior

CAUTION

It is important that your vehicle be kept clean and free from dirt. Failure to keep your vehicle clean may result in fading of the paint or corrosion to various parts of the vehicle body.

Cleaning the Center Pillar Garnishing



57L60003

(1) Center pillar garnishing

NOTE:

- The garnishing is vulnerable to damage. Use chamois or a soft cloth to clean it. It can be damaged even when wiped with tissue paper.
- If the garnishing is damaged, you may repair it to some extent by using a material such as headlight polish (commercially available).
- Do not use any chemical products that contain the following substances for cleaning, as these will cause cracks and deformation to the garnishing. Also be sure to thoroughly read the precautions on the product's container.
 - Solvents such as benzine, gasoline, paint thinner, sticker removing solvent, etc.

– Palm oil based detergent

Caring for Aluminum Wheels

NOTE:

- Do not use an acidic or alkaline detergent to wash aluminum wheels. These types of detergent will cause permanent spots, discoloration and cracks on finished surfaces.
- Do not use a bristle brush and soap containing an abrasive material. These will damage finished surfaces.
- Use the same wax you use for the body surfaces also for waxing aluminum wheels to protect their clear finish.

Washing

WARNING

- Never attempt to wash and wax your vehicle with the engine running.
- If your vehicle is equipped with a rain-sensing wiper system, place the wiper control lever in the “OFF” position. If the lever is left in the “AUTO” position, the wipers could unexpectedly operate and cause an injury, and could also be damaged.
- When cleaning the underside of the body and fender, where there may be sharp-edged parts, you should wear gloves and a long-sleeved shirt to protect your hands and arms from being cut.
- After washing your vehicle, carefully test the brakes before driving to make sure they have maintained their normal effectiveness.

When washing the vehicle, follow the instructions below:

- 1) Flush the underside of body and wheel housings with pressurized water to remove mud and debris. Use plenty of water.

CAUTION

- When washing the vehicle, avoid directing steam or hot water of more than 80°C (176°F) on plastic parts.
- To avoid damaging engine components, do not use pressurized water in the engine compartment.

- 2) Rinse the body to loosen the dirt. Remove dirt and mud from the body exterior with running water. You may use a soft sponge or brush. Do not use hard materials which can scratch the paint or plastic. Remember that the headlight covers or lenses are made of plastic in many cases.

CAUTION

To avoid damage to the paint or plastic surface, do not wipe the dirt off without ample water. Be sure to follow above procedure.

- 3) Wash the entire exterior with a mild detergent or car wash soap using a sponge or soft cloth. The sponge or cloth should be frequently soaked in the soap solution.

CAUTION

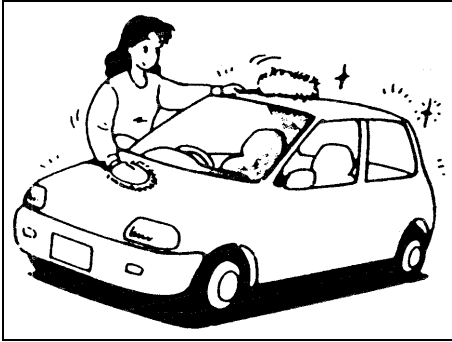
When using a commercial car wash product, observe the cautions specified by the manufacturer. Never use strong household detergents or soaps.

- 4) Once the dirt has been completely removed, rinse off the detergent with running water.
- 5) After rinsing, wipe off the vehicle body with a wet chamois or cloth and allow it to dry in the shade.
- 6) Check carefully for damage to painted surfaces. If there is any damage, “touch-up” the damage following the procedure below:
 1. Clean all damaged spots and allow them to dry.
 2. Stir the paint and “touch-up” the damaged spots lightly using a small brush.
 3. Allow the paint to dry completely.

CAUTION

If you use an automatic car wash, make sure that your vehicle's body parts, such as spoilers, cannot be damaged. If you are in doubt, consult the car wash operator for advice.

Waxing



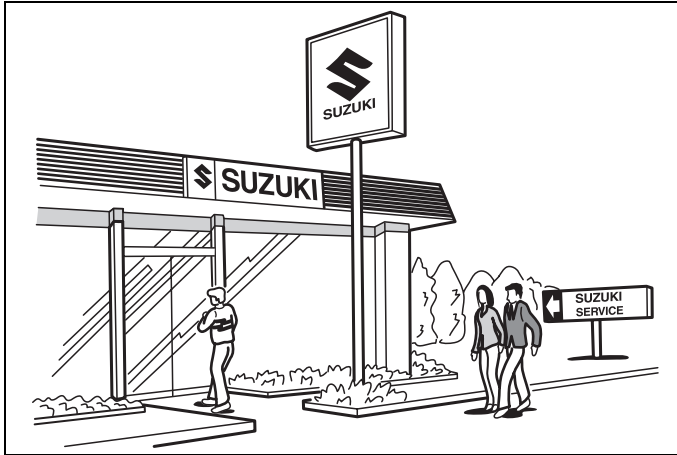
60B211S

After washing the vehicle, waxing and polishing are recommended to further protect and beautify the paint.

- Only use waxes and polishes of good quality.
- When using waxes and polishes, observe the precautions specified by the manufacturers.

GENERAL INFORMATION

Identification Numbers	10-1
Safety Certification Label	10-2
Emission Compliance Label (for U.S.A.)	10-2
Warranties	10-2
On-Board Vehicle Computers and Event Data	
Recorders	10-3
Reporting Safety Defects	10-4



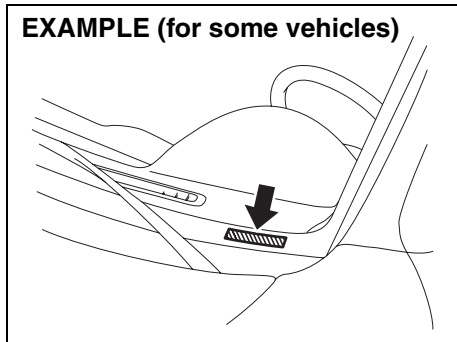
54G072

GENERAL INFORMATION

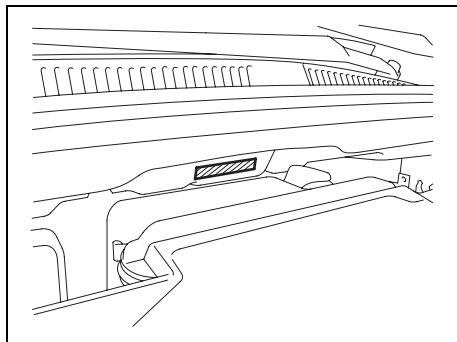
Identification Numbers

Vehicle Identification Number

EXAMPLE (for some vehicles)



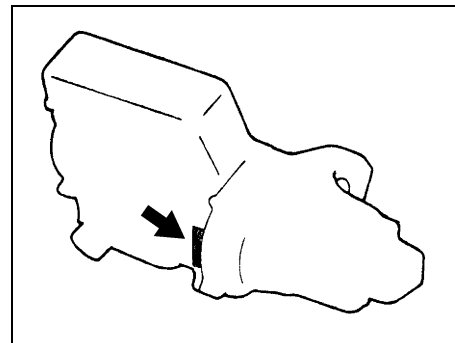
80JC090



79J019

The Vehicle Identification Number (VIN) may be found in the location shown in the above illustrations. This number is used to register the vehicle. It is also used to assist your dealer when ordering parts or referring to special service information.

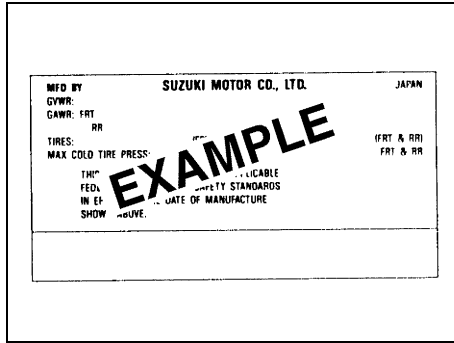
Engine Serial Number



60G128

The engine serial number is stamped on the cylinder block as shown in the above illustration.

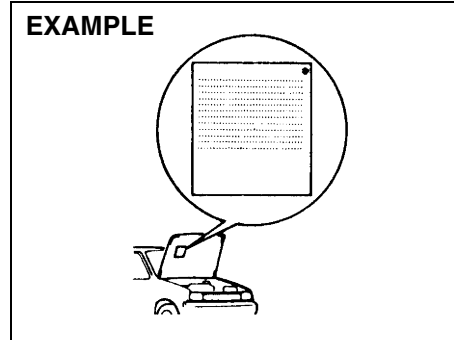
Safety Certification Label



52D059

This label contains important safety-related information about your vehicle. The label is located on the driver's door lock pillar.

Emission Compliance Label (for U.S.A.)



60A412

The EPA emission compliance label is located under the hood.

Warranties

The warranties covering your vehicle are explained in a separate New Vehicle Warranty Information booklet given to you at the time of sale. Please read this booklet carefully so you can understand your rights and responsibilities.

For U.S.A. and Canada

The following warranties are provided with your vehicle:

- New Vehicle Limited Warranty
- Limited Warranty For SUZUKI Parts or Accessories
- Emission Components Defect Warranty
- Emission Performance Warranty

On-Board Vehicle Computers and Event Data Recorders

Your vehicle is equipped with on-board computer systems which monitor and control several aspects of vehicle performance, including the following:

- Emission-related components and engine parameters such as engine speed and throttle position are monitored to provide emissions control and to provide optimum fuel economy. Your vehicle also has an on-board diagnostic system which monitors and records information about emission-related malfunctions.
- Signals from various sensors are monitored to provide air bag deployment.
- If your vehicle is equipped with antilock brakes, conditions such as vehicle speed and brake performance are monitored, so that the ABS system can provide effective antilock braking. If your vehicle has an Electronic Stability Program (ESP[®]) system, conditions such as yaw rate, lateral acceleration, and brake fluid pressure are monitored, so that the ESP[®] system can help the driver control the vehicle in difficult driving situations.

Some information may be stored by the on-board computers during normal

operation of the vehicle. This stored information can assist technicians in repairing the vehicle when malfunctions occur. Other information is stored only in the event of crash, by computer systems that are commonly called Event Data Recorders (EDRs).

In a crash event, EDRs such as the Airbag Sensing and Diagnostic Module (SDM) in your vehicle may record information about the condition of the vehicle and how it was operated, such as data related to airbag readiness, airbag performance, safety belt usage, and the severity of the collision. These data can help provide a better understanding of the circumstances in which crashes and injuries occur and lead to the designing of safer vehicles. The SDM in your vehicle does not collect or store personal information. Also, the EDRs in your vehicle do not have the ability to transmit information to a central communications system or any other external devices.

To read the stored information, special equipment is needed and access to the vehicle or storage device is required. SUZUKI will not access information about a crash event or share it with others other than with the consent of the vehicle owner or lessee, in response to an official request from

the police or similar government office, as part of SUZUKI's defense of litigation through the discovery process, or as required by law.

In addition, once SUZUKI collects or receives data, SUZUKI may use the data for research conducted by SUZUKI, make the data available for outside research if need is shown and confidentiality is assured, or make summary data which does not identify specific vehicles available for outside research.

Others, such as law enforcement personnel, may have access to the special equipment that can read the information if they have access to the vehicle or storage device.

Reporting Safety Defects

If you believe that your vehicle has a defect which could cause a crash or could cause injury or death, you should immediately inform the National Highway Traffic Safety Administration (NHTSA) in addition to notifying American Suzuki Motor Corp.

If NHTSA receives similar complaints, it may open an investigation, and if it finds that a safety defect exists in a group of vehicles, it may order a recall and remedy campaign. However, NHTSA cannot become involved in individual problems between you, your dealer, or American Suzuki Motor Corp.

To contact NHTSA, you may call the Vehicle Safety Hotline toll-free at 1-888-327-4236 (TTY: 1-800-424-9153); go to <http://www.safercar.gov>; or write to: Administrator, NHTSA, 1200 New Jersey Ave., SE., Washington, D.C. 20590. You can also obtain other information about motor vehicle safety from <http://www.safercar.gov>.

To contact American Suzuki, owners in the continental United States can call toll-free 1-800-934-0934, or write to:

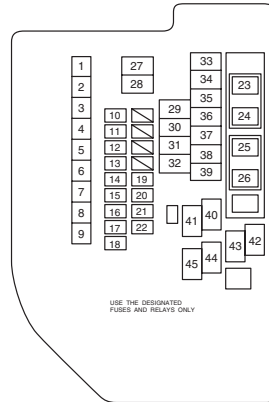
American Suzuki Motor Corporation
Automotive Customer Relations
3251 East Imperial Highway
Brea, CA 92821-6795

For owners outside the continental United States, please refer to the distributor's address listed in your Warranty Information booklet.

For vehicles registered for use and principally operated in Canada please contact Suzuki Canada Inc. at 1-905-889-2677 extension 2254 or write to:

Suzuki Canada Inc.
Customer Relations
100 East Beaver Creek Road
Richmond Hill, On
L4B 1J6

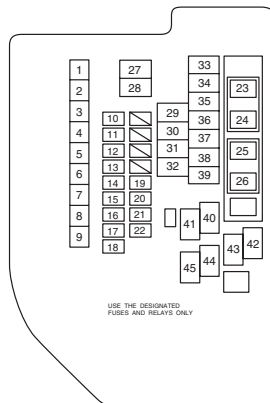
FUSES AND PROTECTED CIRCUITS



57L71037

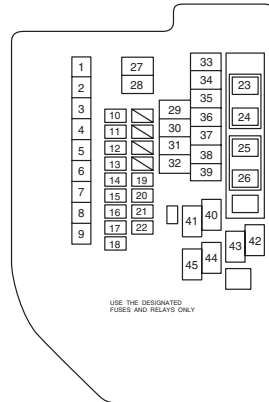
		COLOR/SIZE (AMPS)	FUSE NAME	PROTECTED CIRCUIT	
MAIN FUSE BOX	(1)	RED (50)	IGN	Ignition switch	In engine compartment
	(2)	PINK (30)	RDTR2	Radiator fan sub	
	(3)	PINK (30)	RDTR	Radiator fan main	
	(4)	PINK (30)	ST	Starting motor	
	(5)	GREEN (40)	BTRY	Light	
	(6)	GREEN (40)	ABS MOT	ESP control module	
	(7)	RED (50)	IGN2	Keyless start control module	
	(8)	RED (50)	BTRY2	Power window, Power seat	

FUSES AND PROTECTED CIRCUITS



57L71037

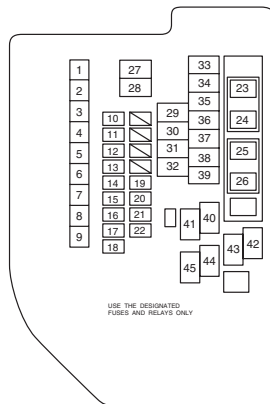
		COLOR/SIZE (AMPS)	FUSE NAME	PROTECTED CIRCUIT	
MAIN FUSE BOX	(9)	RED (50)	BLW	Blower fan	In engine compartment
	(10)	RED (10)	A/C	Air conditioning compressor	
	(11)	BLUE (15)	MRR HTR	Door mirror heater	
	(12)	BLUE (15)	THR MOT	Throttle motor	
	(13)	GREEN (30)	RR DEF	Rear defogger	
	(14)	GREEN (30)	H/L CLNR	Blank	
	(15)	BROWN (7.5)	H/L	Head light	
	(16)	YELLOW (20)	FI	Fuel injection	
(17)	WHITE (25)	ABS SOL	ESP control module		



57L71037

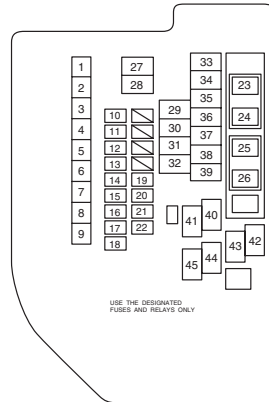
		COLOR/SIZE (AMPS)	FUSE NAME	PROTECTED CIRCUIT	
MAIN FUSE BOX	(18)	WHITE (25)	B/U	Back up	In engine compartment
	(19)	BLUE (15)	H/L LO L	Head light low (Left)	
	(20)	BLUE (15)	H/L LO R	Head light low (Right)	
	(21)	BLUE (15)	H/L L	Head light high (Left)	
	(22)	BLUE (15)	H/L R	Head light high (Right)	
	(23)	BLUE (15)	AT	CVT	
	(24)	YELLOW (20)	FR FOG	Front fog light	
	(25)	BLUE (15)	O2 HTR	O2 sensor heater	
	(26)	BLUE (15)	HORN	Horn	

FUSES AND PROTECTED CIRCUITS



57L71037

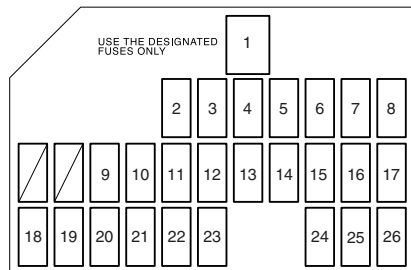
		COLOR/SIZE (AMPS)	FUSE NAME	PROTECTED CIRCUIT	
MAIN FUSE BOX	(27)	–	–	Head light low relay (Left)	In engine compartment
	(28)	–	–	Head light low relay (Right)	
	(29)	–	–	Blank	
	(30)	–	–	Blank	
	(31)	–	–	Blank	
	(32)	–	–	Air conditioning compressor relay	
	(33)	–	–	Rear defogger relay	
	(34)	–	–	Blank	
(35)	–	–	Windshield wiper relay 2		



57L71037

	COLOR/SIZE (AMPS)	FUSE NAME	PROTECTED CIRCUIT		
MAIN FUSE BOX	(36)	–	–	Blank	In engine compartment
	(37)	–	–	Windshield wiper relay 1	
	(38)	–	–	Starting motor relay	
	(39)	–	–	Fuel pump relay	
	(40)	–	–	Radiator fan relay 3	
	(41)	–	–	Radiator fan relay 1	
	(42)	–	–	Door mirror heater relay	
	(43)	–	–	Radiator fan relay 2	
	(44)	–	–	Main relay	
	(45)	–	–	Throttle motor relay	

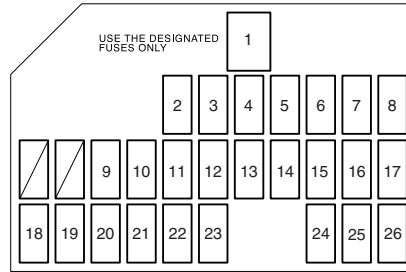
FUSES AND PROTECTED CIRCUITS



57L70034

		COLOR/SIZE (AMPS)	FUSE NAME	PROTECTED CIRCUIT	
FUSE BOX	(1)	PINK (30)	P/W	Power window	Under the dashboard of the driver's seat side
	(2)	BLUE (15)	WIP	Windshield washer motor	
	(3)	YELLOW (20)	S/H	Seat heater	
	(4)	WHITE (25)	FR WIP	Windshield wiper motor	
	(5)	BROWN (7.5)	IG2 SIG	IG2 SIG	
	(6)	BLUE (15)	IG COIL	Ignition coil	
	(7)	BLUE (15)	ACC2	Accessory 2	
	(8)	BLUE (15)	ACC	Accessory	
	(9)	RED (10)	ABS/ESP	ESP control module	
	(10)	BROWN (7.5)	CRUISE	Cruise control	

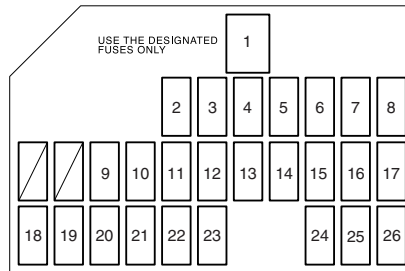
FUSES AND PROTECTED CIRCUITS



57L70034

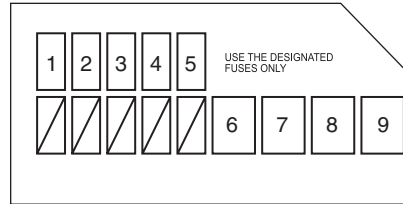
		COLOR/SIZE (AMPS)	FUSE NAME	PROTECTED CIRCUIT	Under the dashboard of the driver's seat side
FUSE BOX	(11)	BROWN (7.5)	IG1 SIG	IG1 SIG	
	(12)	BROWN (7.5)	BPIM	Blank	
	(13)	BROWN (7.5)	MTR	Meter	
	(14)	RED (10)	BACK	Back-up light	
	(15)	RED (10)	A/B	Air bag	
	(16)	BLUE (15)	STL	Steering lock	
	(17)	BROWN (7.5)	BCM	BCM	
	(18)	YELLOW (20)	S/R	Sunroof	
	(19)	BROWN (7.5)	RR FOG	Blank	
	(20)	RED (10)	TAIL	Tail light	

FUSES AND PROTECTED CIRCUITS



57L70034

		COLOR/SIZE (AMPS)	FUSE NAME	PROTECTED CIRCUIT	Under the dashboard of the driver's seat side
FUSE BOX	(21)	RED (10)	STOP	Brake light	
	(22)	RED (10)	HAZ	Hazard	
	(23)	YELLOW (20)	DOOR FL	Front power window (Left)	
	(24)	BLUE (15)	RADIO	Radio	
	(25)	RED (10)	DOME	Dome light	
	(26)	YELLOW (20)	D/L	Door lock	



57L70016

		COLOR/SIZE (AMPS)	FUSE NAME	PROTECTED CIRCUIT	Under the dashboard of the passenger's seat side
FUSE BOX	(1)	YELLOW (20)	DOOR RR	Rear power window (Right)	
	(2)	YELLOW (20)	DOOR RL	Rear power window (Left)	
	(3)	YELLOW (20)	DOOR FR	Front power window (Right)	
	(4)	BLUE (15)	4WD	4WD	
	(5)	YELLOW (20)	BTRY FAN	Battery fan	
	(6)	BLUE (20)	AUDIO	Audio	
	(7)	PINK (30)	PWR SEAT R	Power seat (Right)	
	(8)	PINK (30)	PWR SEAT L	Power seat (Left)	
	(9)	PINK (30)	BELT	Blank	

SPECIFICATIONS

NOTE:

Specifications are subject to change without notice.

M/T: Manual transaxle
CVT: Continuously variable transaxle

2WD: 2-wheel drive
i-AWD: intelligent All Wheel Drive

ITEM: Dimensions		UNIT: mm (in.)
Overall length		4650 (183.1)
Overall width		1820 (71.7)
Overall height		1480 (58.3)
Wheelbase		2700 (106.3)
Tread	Front	1565 (61.6)
	Rear	1565 (61.6)
Minimum running ground clearance		145 (5.7)

ITEM: Weight	
Gross axle weight rating	See the safety certification label and the tire information label which are located on the driver's door lock pillar.
Gross vehicle weight rating	
Vehicle capacity weight	

SPECIFICATIONS

ITEM: Engine	
Type	J24B (16V DOHC)
Number of cylinders	4
Bore	92.0 mm (3.62 in.)
Stroke	90.0 mm (3.54 in.)
Piston displacement	2393 cm ³ (2393 cc, 146.0 cu.in)
Compression ratio	10.0 : 1

ITEM: Electrical	
Ignition timing	5° B.T.D.C.
Standard spark plug	NGK SILFR6A11
Battery	12V GP24
Fuses	See "INSPECTION AND MAINTENANCE" and "FUSES AND PROTECTED CIRCUITS" sections.

ITEM: Light	WATTAGE	BULB No.
Headlight	12V 55W	H7
Front fog light	12V 55W	H11
Front turn signal light	12V 27W	2357A
Rear turn signal light	12V 21W	PY21W
Parking light	12V 5W	W5W
Brake/tail light	12V 21/5W	P21/5W
License plate light	12V 5W	C5W
Reversing light	12V 21W	P21W
Front dome light	12V 8W	–
Rear dome light	12V 10W	–
Glove box light	12V 1.4W	–
Footwell lights	LED	–
Trunk room light	12V 5W	W5W
Spot light	12V 8W	–
High mount stop light	LED	–
Front side marker light	12V 5W	168
Curtsey light	12V 5W	–
Vanity mirror light	12V 2W	–

SPECIFICATIONS

ITEM: Wheel	
Tire size, front and rear	P215/60R16, P215/55R17, P235/45R18
Tire pressure	For the specified tire pressure, see the Tire Information Label located on the driver's door lock pillar.

ITEM: Steering		
Toe-in (total)	front	0 ± 2 mm (0 ± 0.08 in.)
	rear	2 ± 1 mm (0.08 ± 0.04 in.)
Camber angle	front	$-0^{\circ} 30' \pm 1^{\circ}$
	rear	$-1^{\circ} 15' \pm 30'$
Caster angle	front	$4^{\circ} 10' \pm 1^{\circ}$

ITEM: Capacities	
Coolant (including reserve tank)	6.6 L (13.9 US pt)
Fuel tank	63 L (16.7 US gal)
Engine oil (replaced with filter)	4.5 L (4.8 quarts)
Transaxle oil	Manual transaxle: 2.5 L (5.3 US pt)
	CVT: 8.34 L (17.7 US pt) (when overhauling)
Rear differential oil	0.8 L (1.7 US pt)
Transfer gear box oil	0.9 L (1.9 US pt)

INDEX

Symbols

“CRUISE” Indicator Light..... 2-75
 “ESP® OFF” Indicator Light..... 2-72
 “ESP® OFF” switch 3-33
 “i-AWD” Indicator Light 2-76, 3-19
 “SET” Indicator Light 2-75

A

Accelerator Pedal 3-12
 Accessory Socket..... 5-80
 Adding Coolant 7-19
 Adjusting Seat Position 2-23, 2-24
 Adjusting Seatbacks 2-24, 2-25
 Adjusting the Lumbar Support..... 2-26
 AIR BAG Light..... 2-73
 Air Cleaner..... 7-20
 Air Conditioning System..... 7-57
 All Seat Belts Except Rear Center..... 2-37
 Anti-Lock Brake System (ABS) 3-29
 Anti-Lock Brake System (ABS) Warning Light 2-71
 Armrest 5-90
 Ashtray 5-82
 Assist Grips..... 5-82
 Audio Systems..... 5-10
 Auto Dimming Rearview Mirror 2-21
 Automatic Heating and Air Conditioning System
 (Climate Control)..... 5-1
 Automatic Lights Operation 2-101
 Automatic Locking Retractor 2-36
 Average Fuel Consumption 2-83

Average Speed 2-81
B
 Battery..... 7-39
 Brake Assist System..... 3-28
 Brake Fluid..... 7-25
 Brake Pedal..... 3-11, 7-26
 Brake System Warning Light 2-70
 Brakes 7-25
 Braking..... 3-28
 Break-In..... 4-1
 Brightness Control..... 2-79
 Bulb Replacement..... 7-45
C
 Catalytic Converter 4-1
 Center Console Box..... 5-89
 Changing Engine Oil and Filter..... 7-16
 Changing Wheels 8-5
 Charging Light..... 2-73
 Child Lock System (rear doors)..... 2-5
 Child Restraint Systems 2-44
 Cigarette Lighter 5-81
 Cleaning Interior..... 9-3
 Cleaning the Exterior..... 9-4
 Clutch Pedal 3-11, 7-23
 Coat Hooks 5-83
 Compact Spare Tire 7-34
 Continuously Variable Transaxle (CVT)..... 3-15
 Continuously Variable Transaxle (CVT) Fluid 7-24
 Coolant Level Check..... 7-19
 Coolant Replacement 7-20
 Corrosion Prevention 9-1

INDEX

Courtesy Lights	5-79	Fluid Level Check.....	7-24
Cruise Control.....	3-21	Folding Rear Seats.....	2-32
Cup Holder and Storage Area.....	5-87	Footrest.....	5-89
CVT Selector Position (for continuously variable transaxle).....	2-81	Footwell Lights.....	5-79
D		Frame Hooks	5-96
Daily Inspection Checklist	3-1	Front Air Bags	2-57
Daytime Running Light (D.R.L.) Indicator Light.....	2-76	Front Fog Light Switch	2-105
Daytime Running Light (D.R.L.) System.....	2-104	Front Seat Back Pocket	5-89
Door Locks	2-3	Front Seat Heater	2-28
Drive Belt.....	7-15	Front Seats	2-23
Driver's Seat Belt Reminder Light.....	2-73	Fuel Filler Cap	5-74
Driving on Hills	4-3	Fuel Filler Door.....	5-73
Driving on Slippery Roads.....	4-4	Fuel Gauge.....	2-78
Driving Range	2-81	Fuel Pump Labeling.....	1-1
E		Fuel Recommendation.....	1-1
Electric Power Steering Warning Light	2-77	Full Wheel Cover	8-5
Electronic Stability Program (ESP®).....	3-31	Fuses.....	7-40
Emergency Locking Retractor (ELR).....	2-36	FUSES AND PROTECTED CIRCUITS	11-1
Emission Compliance Label (for U.S.A.)	10-2	Fuses in the Engine Compartment.....	7-40
Engine Block Heater.....	3-12	Fuses under the Dash Board	7-42
Engine Coolant	7-18	G	
Engine Hood.....	5-75	Gasoline Containing MTBE	1-1
Engine Oil and Filter.....	7-15	Gasoline/Ethanol blends	1-1
Engine Serial Number	10-1	Gasoline/Methanol blends.....	1-1
Engine Switch	3-2	Gear Oil	7-22
Engine Switch Illumination	3-4	Gear Oil Level Check	7-23
ESP® Warning Light	2-71	Gear Oil Replacement.....	7-23
Exhaust Gas Warning.....	3-1	GLOSSARY OF TIRE TERMINOLOGY	7-36
F		Glove Box	5-85
Floor Mats.....	5-91	H	
		Hazard Warning Switch	2-106

Head Restraints	2-27, 2-29	Interior Light Switch	5-78
Headlight Aiming	7-44	Interior Workable Area for Engine Starting, Power Supply Mode Selection and “Remote Controller Outside” Warning.....	3-6
Heated Rear Window and Heated Outside Rearview Mirrors (if equipped) Switch	2-111	Internal Trunk Release.....	2-6
High Beam Indicator Light	2-75	J	
Highway Driving.....	4-3	Jacking Instructions	8-2
Hill Hold Control System.....	3-34	Jump Starting Instructions	8-6
HomeLink®	5-93	K	
Horn	2-111	Keyless Push Start System.....	3-4
How the ABS Works	3-30	Keyless Start System Remote Controller	2-6
I		Keys.....	2-1
Identification Numbers.....	10-1	L	
If the Engine is Flooded	8-8	Lap-Shoulder Belt	2-36
If the Engine Overheats.....	8-8	Lidded Instrument Panel Box	5-87
If the Starter Does Not Operate	8-7	Light Reminder Buzzer	2-104
If You Cannot Shift CVT Gearshift Lever Out of “P” (PARK)	3-18	Lighting Control Lever.....	2-100
If Your Vehicle Gets Stuck.....	4-4	Lighting Operation	2-100
Illumination Indicator Light.....	2-75	Locking Rear Seatback.....	2-34
Immobilizer System	2-2, 3-4	Low Fuel Warning Light	2-74
Immobilizer/Keyless Start System Warning Light	2-76	Low Tire Pressure Warning Light.....	2-69, 3-35
Improving Fuel Economy	4-2	Luggage Under-box	5-92
Information Display	2-80	M	
Inside Rearview Mirror	2-20	Maintenance Recommended under Severe Driving Conditions	7-7, 7-11
Installation of Child Restraint with Top Strap.....	2-52	Maintenance Schedule	7-2
Installation with Lap-Shoulder Seat Belts (child restraint with no top strap).....	2-46	Malfunction Indicator Light	2-74
Installation with the LATCH System	2-49	Manual Transaxle	3-13
Instantaneous fuel consumption	2-82	Master Warning Indicator Light	2-77
Instrument Cluster.....	2-68	Mirrors.....	2-20
intelligent All Wheel Drive (i-AWD) Indicator Light	2-76		

INDEX

N

Net/Rope Hooks 5-92

O

Odometer 2-84

Oil Level Check 7-15

Oil Pressure Light 2-72

On-Board Vehicle Computers and Event Data

Recorders 10-3

Open Door Warning Light 2-75

Outside Rearview Mirrors 2-22

Overhead Console 5-86

P

Parking Brake Lever 3-10, 7-27

Parking Sensors 3-23

Pedals 3-11

Periodic Maintenance Schedule 7-3

Power Door Locking System 2-4

Power Mirror Control 2-22

Power Window Controls 2-17

Power-Assisted Brakes 3-28

R

Radio Antenna 5-9

Rain-sensing Wipers 2-108

Rain-sensing Wipers and Washer Lever 2-107

Rear Center Seat Belt 2-38

Rear Seats 2-29

Refill with Oil and Check for Leaks 7-18

Refilling 7-16

Replace the Oil Filter 7-17

Replacing Tires and/or Wheels 3-38

Reporting Safety Defects 10-4

Roof Rack Anchors 5-92

S

Safety Certification Label 10-2

Seat Belt Extender 2-53

Seat Belt Inspection 2-43

Seat Belt Pretensioner System 2-54

Seat Belt Reminder 2-40

Seat Belts and Child Restraint Systems 2-34

Seat Position Memory System 2-26

Selection of Coolant 7-18

Selection of Power Supply Modes 3-4

Setting Mode 2-85

Shoulder Anchor Height Adjuster 2-43

Side Air Bags and Side Curtain Air Bags 2-59

Side Door Locks 2-3

Snow Tires 7-35

Spark Plugs 7-20

SPECIFICATIONS 12-1

Specified Fluid 7-24

Specified Gear Oil 7-22

Specified Oil 7-15

Speedometer 2-78

Spot Light 5-80

Stability Control System 3-31

Starting the Engine 3-7

Steering Wheel 7-27

Sun Visor 5-77

Sunroof 5-83

Supplemental Restraint System (air bags) 2-55

T

Tachometer 2-78

Temperature Gauge 2-79

Theft Deterrent Alarm System 2-14

Thermometer 2-84

Tilt/Telescoping/Steering Lock Lever 2-110

Tire Chains 4-5

Tire Changing Tool 8-1

Tire Inflation Pressure 7-30

Tire Inspection 7-31

Tire Pressure Monitoring System (TPMS) 3-34

Tire Rotation 7-34

Tire Sidewall Labeling 7-28

Tire Size 7-29

Tires 7-28

Towing a Disabled Vehicle 8-7

Towing Your Vehicle (recreational towing) 6-2

Traction Control System 3-31

Trailer Towing 6-2

Transaxle Warning Light 2-76

Trip meter 2-84

Trunk Lid 2-5

Trunk Lid Lock Switch 2-6

Trunk Light 5-79

Turn Signal Control Lever 2-105

Turn Signal Indicators 2-75

Turn Signal Operation 2-106

U

Uniform Tire Quality Grading 7-33

Universal Serial Bus (USB) Socket 5-81

Using the 2WD/i-AWD (intelligent All Wheel Drive) Switch 3-19

Using the Transaxle 3-13

V

Vehicle Cleaning 9-3

Vehicle Identification Number 10-1

Vehicle Loading 6-1, 7-37

W

Warning and Indicator Lights 2-69

Warning and Indicator Messages 2-86

Warranties 10-2

Washing 9-5

Waxing 9-6

Windows 2-17

Windshield Washer 2-109

Windshield Washer Fluid 7-56

Windshield Wipers 2-107

Wiper Blades 7-54

MEMO

Prepared by
SUZUKI MOTOR CORPORATION

December, 2010

Part No. 99011-57L20-03E

Printed in U.S.A.

TP384

SERVICE STATION INFORMATION

Fuel recommendation:

See page 1-1

Engine oil recommendation:

Engine oil with “Starburst” symbol

For further details, see “Engine Oil and Filter” in the “INSPECTION AND MAINTENANCE” section.

Brake and clutch fluid:

DOT3 or SAE J1703

CVT fluid:

SUZUKI CVT FLUID GREEN-1 or Shell GREEN-1V

Tire cold pressure:

See the “Tire Information Label” located on the driver’s door lock pillar.



99011-57L20-03E

SUZUKI MOTOR CORPORATION Part No. 99011-57L20-03E December, 2010 [C] 英

Printed in U.S.A.

Free Manuals Download Website

<http://myh66.com>

<http://usermanuals.us>

<http://www.somanuals.com>

<http://www.4manuals.cc>

<http://www.manual-lib.com>

<http://www.404manual.com>

<http://www.luxmanual.com>

<http://aubethermostatmanual.com>

Golf course search by state

<http://golfingnear.com>

Email search by domain

<http://emailbydomain.com>

Auto manuals search

<http://auto.somanuals.com>

TV manuals search

<http://tv.somanuals.com>