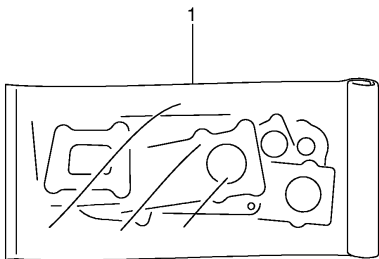
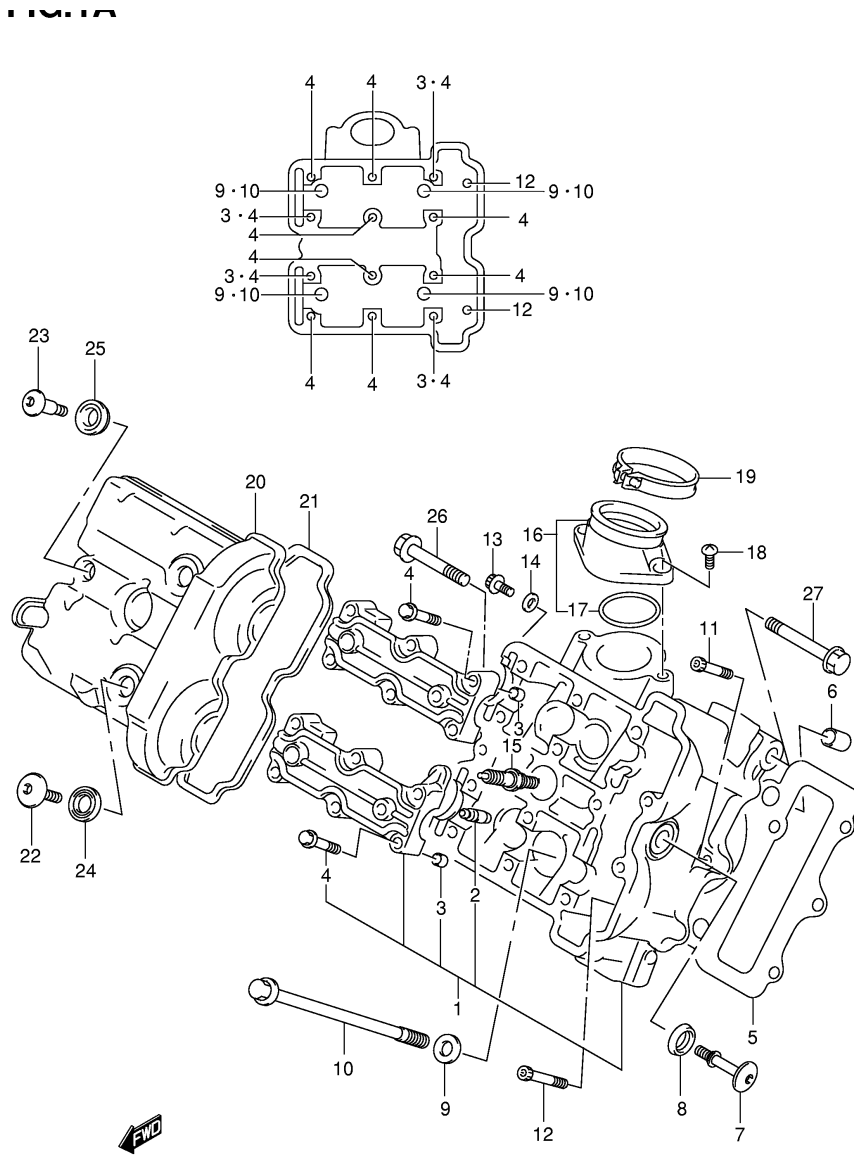


FIG. 1

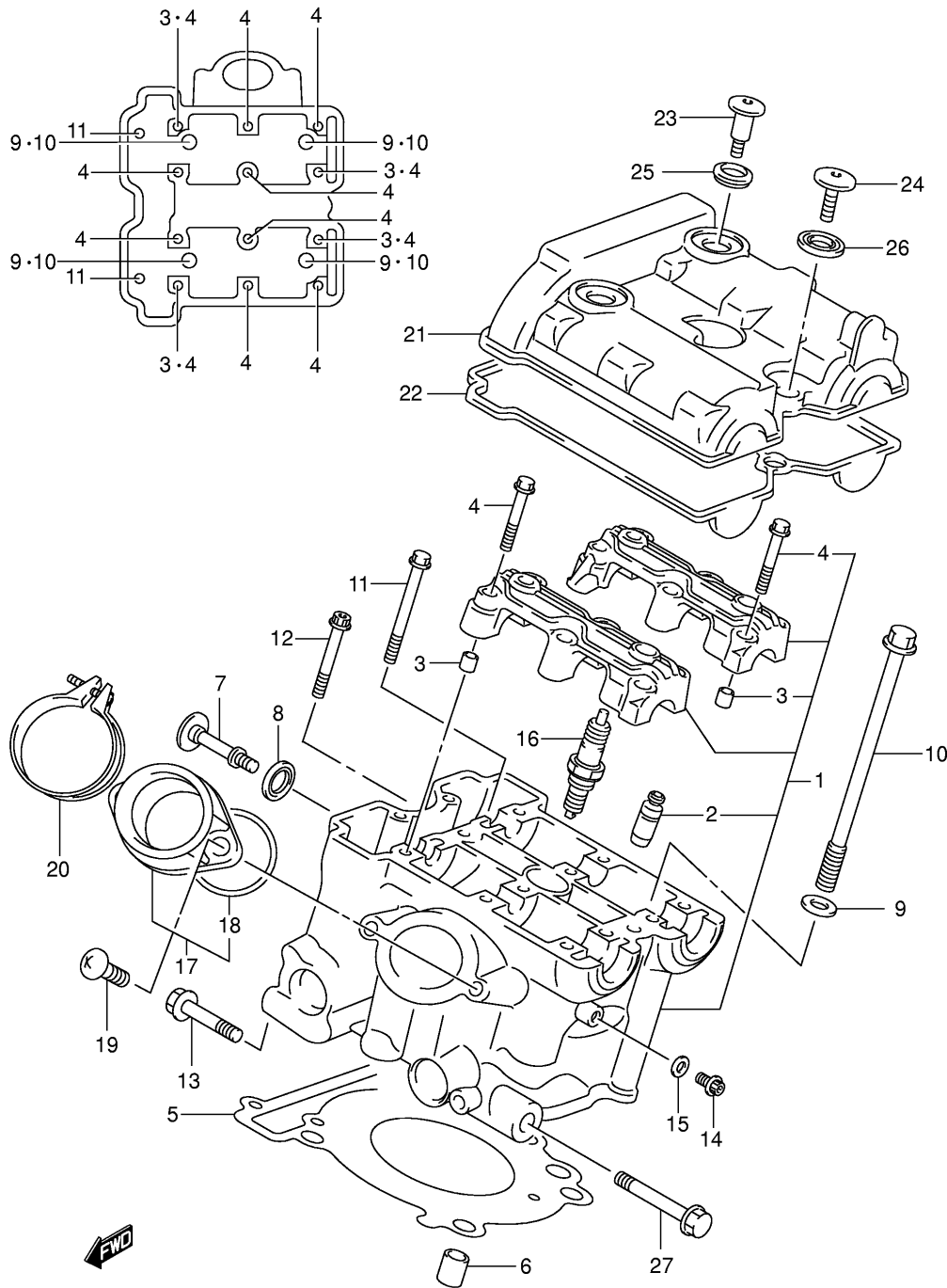
Ref No	Part No	Description
1	11401-20861	Gasket Set
2	11141-20F00	. Gasket, Cylinder Head
3	11173-19F00	. Gasket, Cylinder Head Cover
4	11241-19F00	. Gasket, Cylinder Front
5	11242-19F00	. Gasket, Cylinder Rear
6	11482-19F00	. Gasket, Clutch Cover Inner
7	11483-19F00	. Gasket, Magneto Cover
8	11484-19F01	. O Ring,clutch Cover Outer
9	12837-24A10	. Gasket, Tnsn Adjuster
10	14181-22D01	. Gasket, Exhaust Pipe
11	09161-11008	. Washer
12	09280-22008	. O Ring (d:3.1 Id:22.7)
13	09280-46006	. O Ring



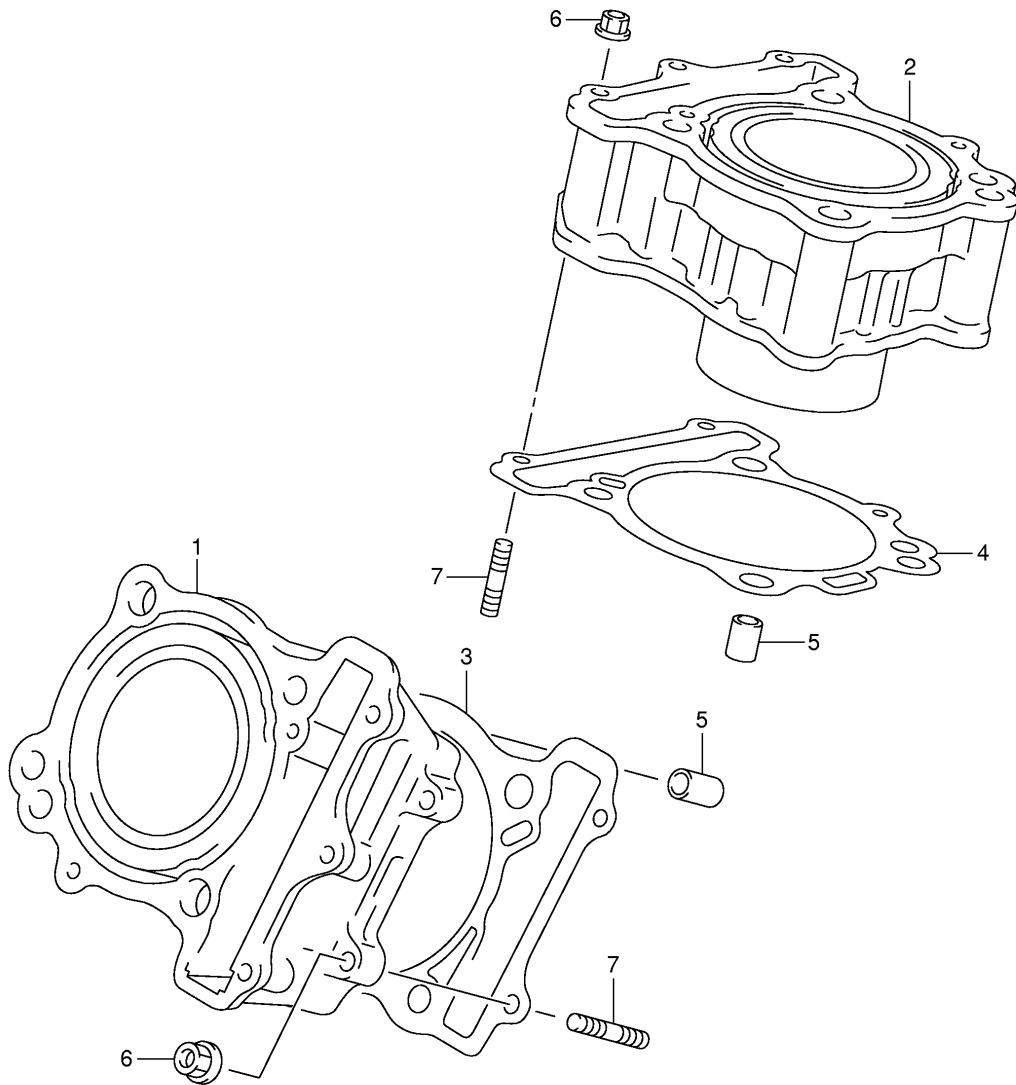


Ref No	Part No	Description
1	11101-20F00	Head Assy, Cylinder Front
1	11101-20F10	Head Assy, Cylinder Front
2	11115-18D72	• . Guide, Valve
3	09206-08001	• . Pin (6.2x8x11)
4	09103-06026	• . Bolt (6x39)
5	11141-20F00	Gasket, Cylinder Head
6	04211-13189	Pin
7	11161-33E00	Bolt, Cylinder Head Side Face
8	11191-13E00	Washer, Head Cover
9	09160-10082	Washer (10.5x19x2.0)
10	09103-10272	Bolt (10x160)
11	07120-06403	Bolt
12	09103-06103	Bolt (6x70)
13	07120-06123	Bolt
14	09168-06023	Gasket (5.8x13x1.2)
15	09482-00456	Spark Plug (ngk,cr8e)
15	09482-00457	Spark Plug (denso,u24esr-n)
15	09482-00458	Spark Plug (ngk,cr9e)
15	09482-00459	Spark Plug (denso,u27esr-n)
15	09482-00460	Spark Plug (ngk,cr10e)
15	09482-00461	Spark Plug (denso,u31esr-n)
16	13101-20F00	Pipe Assy, Intake Front
17	09280-46006	• . O Ring
18	02122-06163	Screw
19	09402-56208	Clamp
20	11171-19F00	Cover, Cylinder Head Front
20	11171-19F20	Cover, Cylinder Head Front
21	11173-19F00	Gasket, Cylinder Head Cover
22	09106-07009	Bolt (7x17.5)
23	09106-07010	Bolt (7x31)
24	09161-11008	Washer
25	11192-13E00	Cushion, Head Cover Bolt
26	01550-10807	Bolt
27	01550-10807	Bolt

SV650Y E02_001A
FRONT CYLINDER HEAD

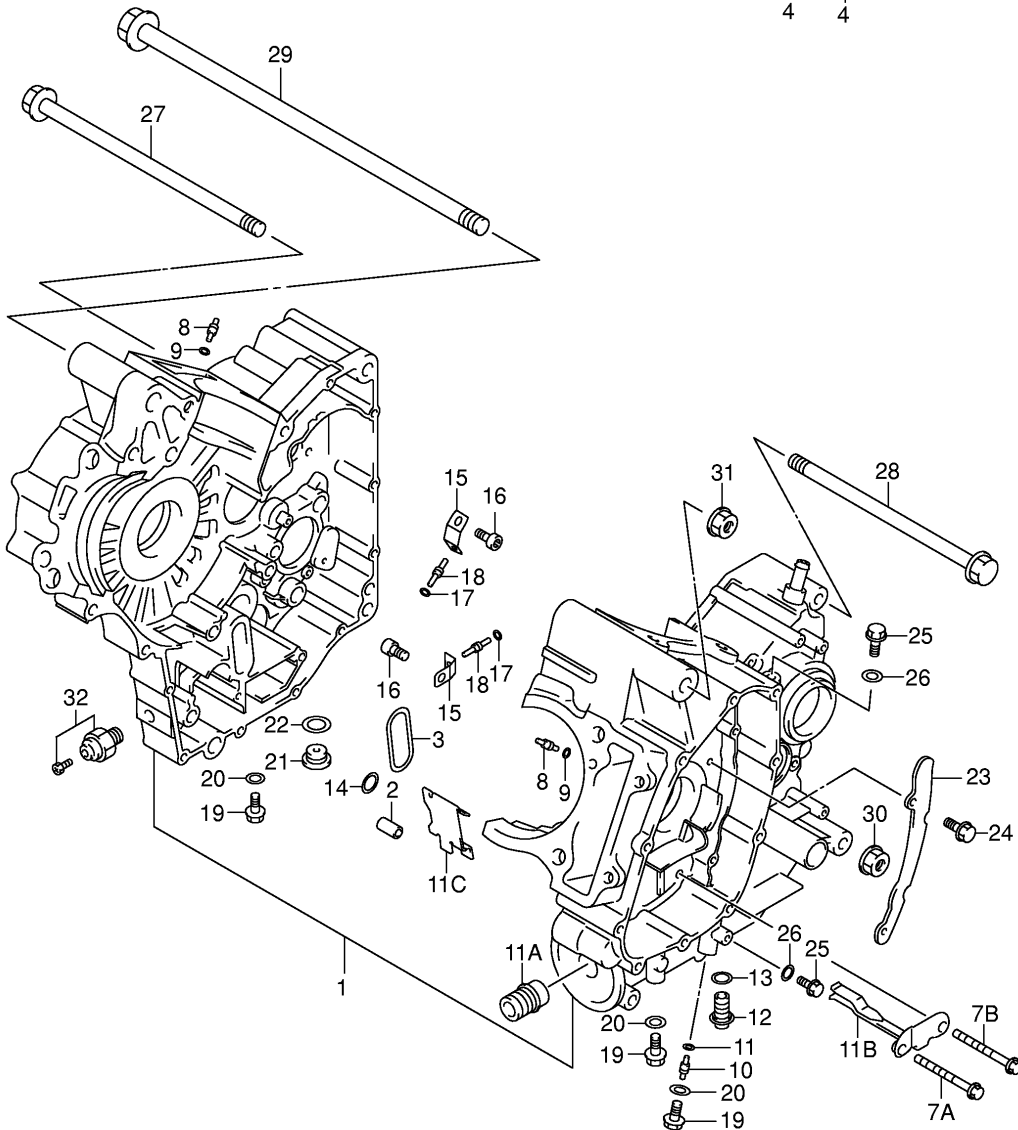
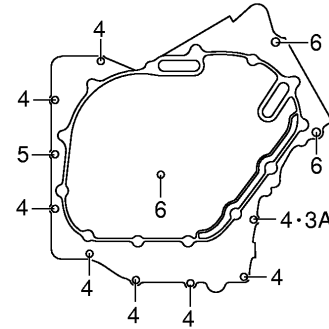
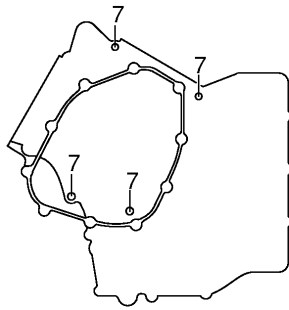


Ref No	Part No	Description
1	11103-20F00	Head Assy, Cylinder Rear
1	11103-20F10	Head Assy, Cylinder Rear
2	11115-18D72	• . Guide, Valve
3	09206-08001	• . Pin (6.2x8x11)
4	09103-06026	• . Bolt (6x39)
5	11141-20F00	Gasket, Cylinder Head
6	04211-13189	Pin
7	11161-33E00	Bolt, Cylinder Head Side Face
8	11191-13E00	Washer, Head Cover
9	09160-10082	Washer (10.5x19x2.0)
10	09103-10272	Bolt (10x160)
11	09103-06103	Bolt (6x70)
12	07120-06403	Bolt
13	01550-10557	Bolt
14	07120-06123	Bolt
15	09168-06023	Gasket (5.8x13x1.2)
16	09482-00456	Spark Plug (ngk,cr8e)
16	09482-00457	Spark Plug (denso,u24esr-n)
16	09482-00458	Spark Plug (ngk,cr9e)
16	09482-00459	Spark Plug (denso,u27esr-n)
16	09482-00460	Spark Plug (ngk,cr10e)
16	09482-00461	Spark Plug (denso,u31esr-n)
17	13102-20F00	Pipe Assy, Intake Rear
18	09280-46006	• . O Ring
19	02122-06163	Screw
20	09402-56208	Clamp
21	11172-19F00	Cover, Cylinder Head Rear
21	11172-19F20	Cover, Cylinder Head Rear
22	11173-19F00	Gasket, Cylinder Head Cover
23	09106-07009	Bolt (7x17.5)
24	09106-07010	Bolt (7x31)
25	09161-11008	Washer
26	11192-13E00	Cushion, Head Cover Bolt
27	01550-10807	Bolt

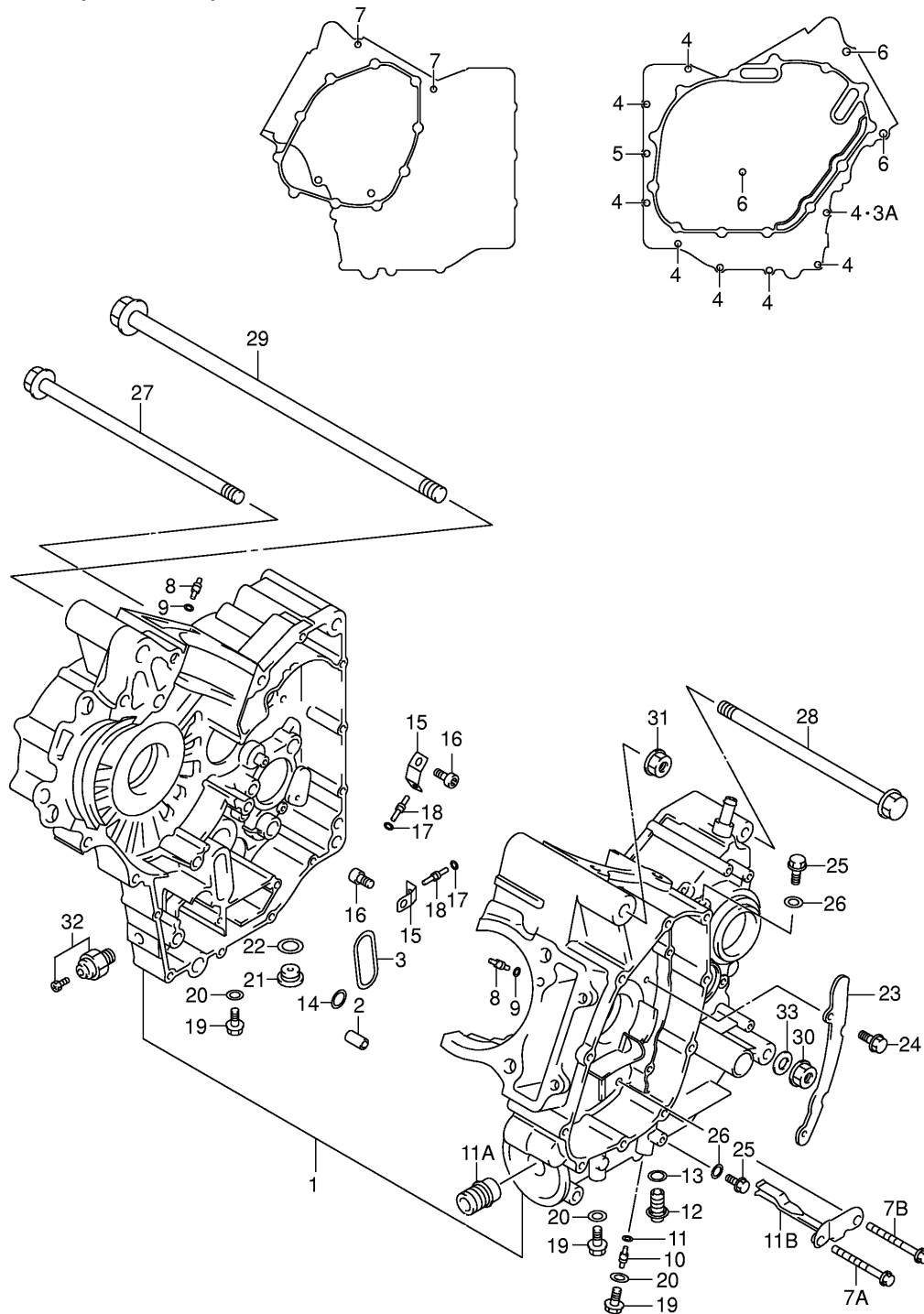


Ref No	Part No	Description
1	11210-20F00-0F0	Cylinder, Front
1	11210-20F10-0F0	Cylinder, Front
2	11220-20F00-0F0	Cylinder, Rear
2	11220-20F10-0F0	Cylinder, Rear
3	11241-19F00	Gasket, Cylinder Front
4	11242-19F00	Gasket, Cylinder Rear
5	04211-13189	Pin
6	08316-10063	Nut
7	01421-06253	Stud Bolt

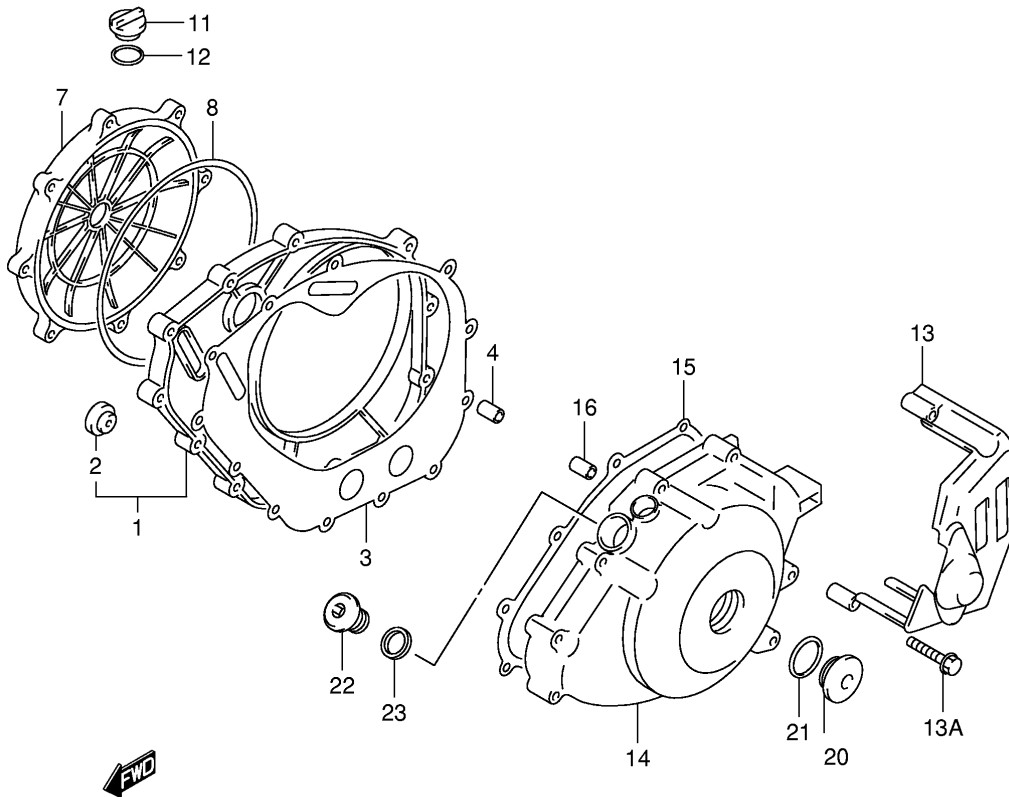
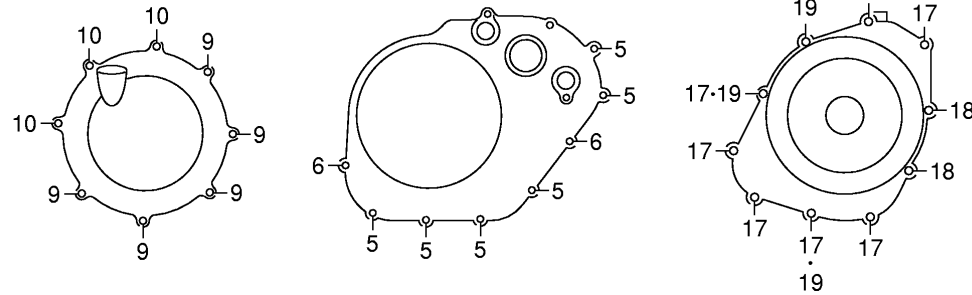




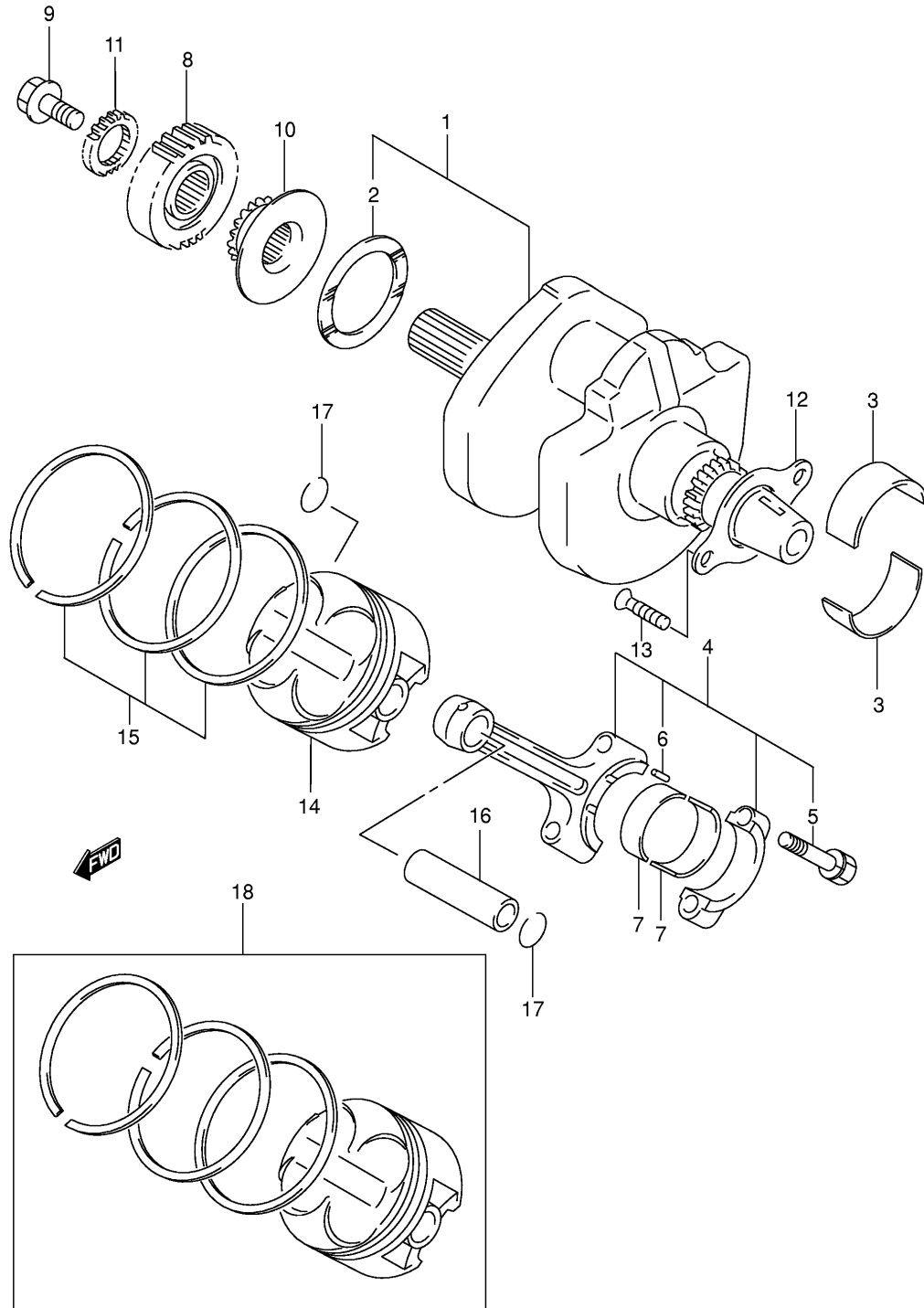
Ref No	Part No	Description
1	11301-20830	Crankcase Set
1	11301-20831	Crankcase Set
1	11301-20835	Crankcase Set
1	11301-20840	Crankcase Set
2	09206-11017	. Pin (11x20)
3	11315-19F00	. O Ring, Crankcase
3a	09168-06023	. Gasket (5.8x13x1.2)
4	01547-06503	. Bolt
5	01547-06507	. Bolt
6	07120-08553	. Bolt
7	07120-08803	. Bolt
7	07120-08803	. Bolt
7	07120-08803	. Bolt
7a	01500-08903	. Bolt
7b	09103-08066	. Bolt (8x95)
7c	11322-20F00	. Bolt (8x90)
7d	09103-08066	. Bolt (8x95)
8	09493-28010	. Jet, Oil Gallery Cylinder
9	09280-04004	. O Ring (d:1.2,id:4.0)
10	09493-28010	. Jet, Oil Gallery Mission
11	09280-04004	. O Ring (d:1.2,id:4.0)
11a	16591-06B00	. Union, Oil Filter Stand
11b	11391-20F00	. Plate, Oil
11c	11391-20F10	. Plate, Oil
11d	11391-20F20	. Plate, Oil
12	09247-12106	Plug (12x20)
13	09168-12002	Gasket (12.1x16.2x3.7)
14	09280-12009	O Ring (d:1.9,id:12.6)
15	16438-19F00	Plate, Piston Cooling Jet
16	09106-06075	Bolt (6x12)
17	09280-04004	O Ring (d:1.2,id:4.0)
18	09493-26007	Jet (130)
19	01550-08123	Bolt
20	09168-08029	Gasket
21	09248-16012	Plug
22	09168-16002	Gasket (16x22x2)
23	11323-19F00	Plate, Oil Separator
24	01547-06123	Bolt
25	01550-06123	Bolt
26	09168-06023	Gasket (5.8x13x1.2)
27	09103-10226	Bolt (10x260)
28	09103-10041	Bolt (10x215)
29	09103-12054	Bolt (12x310)
30	08319-31107	Nut
30	09159-10058	Nut
31	08319-31128	Nut
32	37820-33D00	Switch Assy, Oil Pressure
33	09160-10060	Washer (10.5x22x2.3)



Ref No	Part No	Description
1	11301-20850	Crankcase Set
2	09206-11017	. Pin (11x20)
3	11315-19F00	. O Ring, Crankcase
3a	09168-06023	. Gasket (5.8x13x1.2)
4	01547-06503	. Bolt
5	01547-06507	. Bolt
6	07120-08553	. Bolt
7	07120-08803	. Bolt
7a	11322-20F00	. Bolt (8x90)
7b	09103-08066	. Bolt (8x95)
8	09493-28010	. Jet, Oil Gallery Cylinder
9	09280-04004	. O Ring (d:1.2,id:4.0)
10	09493-28010	. Jet, Oil Gallery Mission
11	09280-04004	. O Ring (d:1.2,id:4.0)
11a	16591-06B00	. Union, Oil Filter Stand
11b	11391-20F20	. Plate, Oil
12	09247-12106	Plug (12x20)
13	09168-12002	Gasket (12.1x16.2x3.7)
14	09280-12009	O Ring (d:1.9,id:12.6)
15	16438-19F00	Plate, Piston Cooling Jet
16	09106-06075	Bolt (6x12)
17	09280-04004	O Ring (d:1.2,id:4.0)
18	09493-26007	Jet (130)
19	01550-08123	Bolt
20	09168-08029	Gasket
21	09248-16012	Plug
22	09168-16002	Gasket (16x22x2)
23	11323-19F00	Plate, Oil Separator
24	01547-06123	Bolt
25	01550-06123	Bolt
26	09168-06023	Gasket (5.8x13x1.2)
27	09103-10226	Bolt (10x260)
28	09103-10041	Bolt (10x215)
29	09103-12054	Bolt (12x310)
30	09159-10058	Nut
31	08319-31128	Nut
32	37820-33D10	Switch Assy, Oil Pressure
33	09160-10060	Washer (10.5x22x2.3)

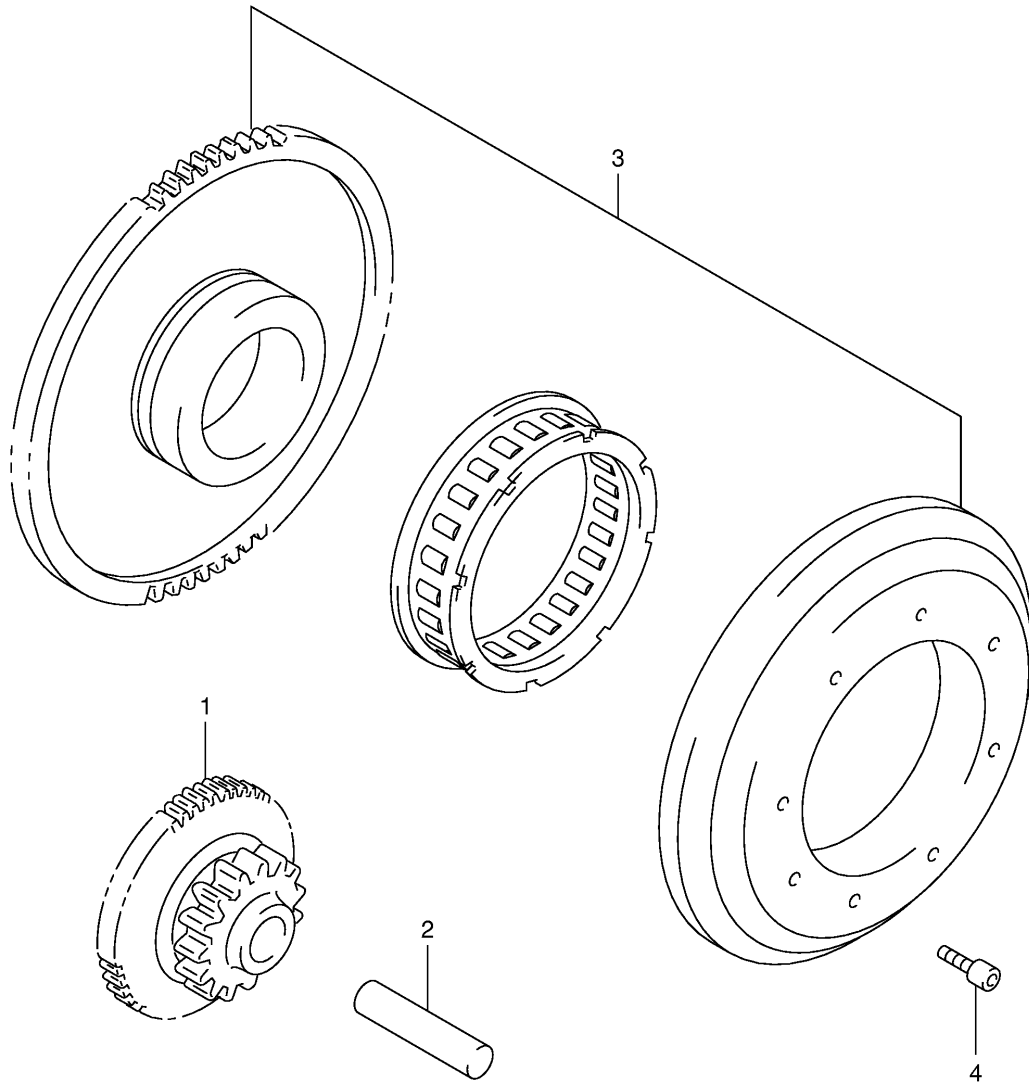


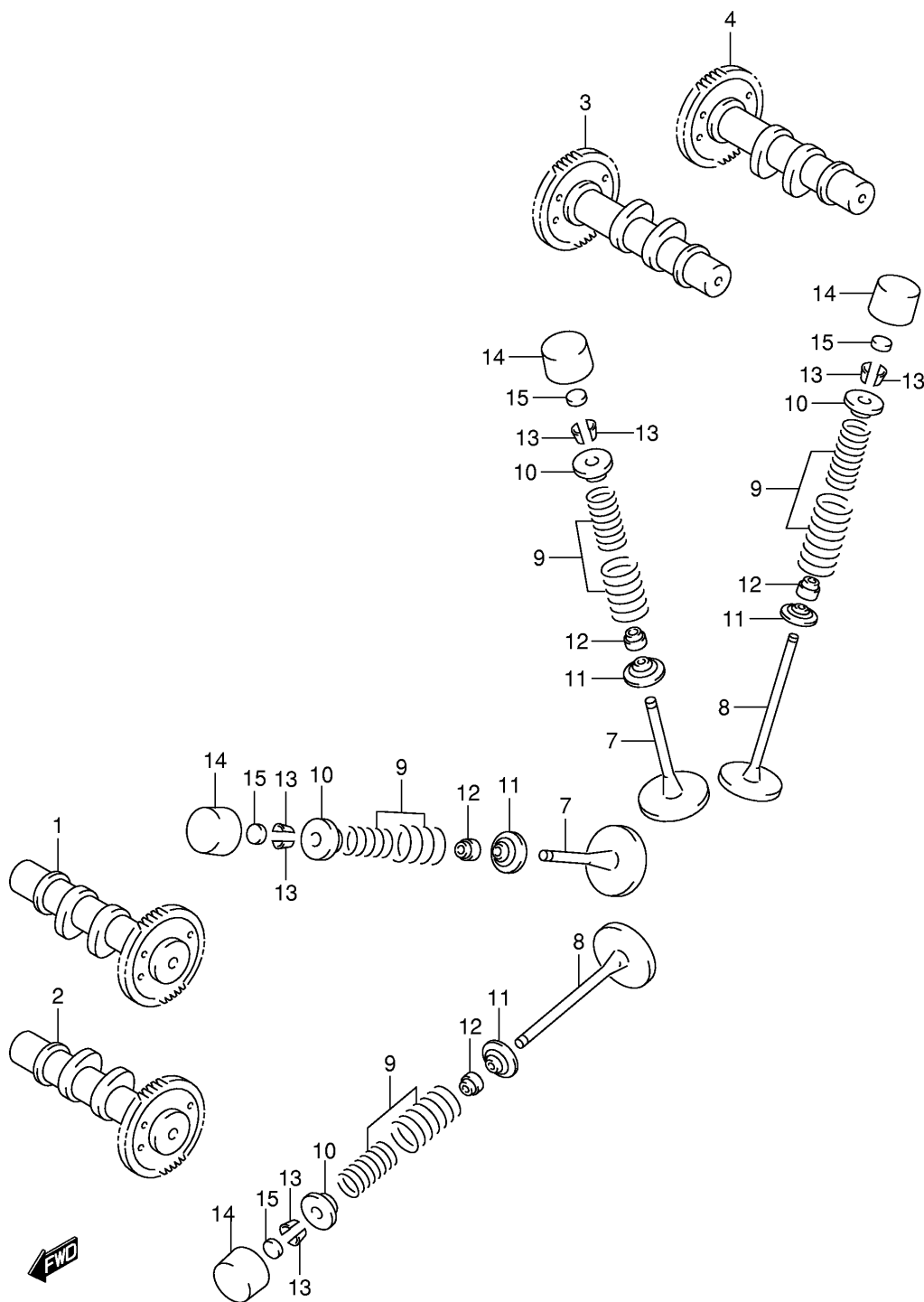
Ref No	Part No	Description
1	11340-19F00	Cover, Clutch Inner
2	11971-33210	• . Lens, Oil Level Check
3	11482-19F00	Gasket, Clutch Cover Inner
4	04211-09149	Pin
5	09103-06204	Bolt
6	09103-06205	Bolt
7	11370-19F00	Cover, Clutch Outer
8	11484-19F00	O Ring, Clutch Cover Outer
8	11484-19F01	O Ring, Clutch Cover Outer
9	09103-06180	Bolt
10	09103-06207	Bolt
11	09259-20008	Plug
12	09280-17003	O Ring (d:3.1,id:16.8)
13	11361-19F00	Cover, Engine Sprocket
13a	01547-06457	Bolt
14	11351-19F00	Cover, Magneto
15	11483-19F00	Gasket, Magneto Cover
16	04211-09149	Pin
17	01547-06357	Bolt
18	01547-06657	Bolt
19	09168-06023	Gasket (5.8x13x1.2)
19	09168-06023	Gasket (5.8x13x1.2)
20	09259-26012	Plug
21	09280-22008	O Ring (d:3.1,id:22.7)
22	09248-16012	Plug
23	09168-16002	Gasket (13.8x18.8x0.4)



Ref No	Part No	Description
1	12000-20840	Crankshaft Set
2	12228-19F00-0A0	. Washer, Thrust (t:1.925)
2	12228-19F00-0B0	. Washer, Thrust (t:1.95)
2	12228-19F00-0C0	. Washer, Thrust (t:1.975)
2	12228-19F00-0D0	. Washer, Thrust (t:2.0)
2	12228-19F00-0E0	. Washer, Thrust (t:2.025)
2	12228-19F00-0F0	. Washer, Thrust (t:2.05)
2	12228-19F00-0G0	. Washer, Thrust (t:2.075)
2	12228-19F00-0H0	. Washer, Thrust (t:2.1)
2	12228-19F00-0I0	. Washer, Thrust (t:2.125)
2	12228-19F00-0J0	. Washer, Thrust (t:2.15)
3	12229-19F10-0A0	Bearing, Crankshaft (green)
3	12229-19F10-0B0	Bearing, Crankshaft (black)
3	12229-19F10-0C0	Bearing, Crankshaft (brown)
4	12160-20F00	Connecting Rod Assy
5	12163-17C50	. Bolt, Connecting Rod
6	12165-27A50	. Pin, Connecting Rod
7	12164-46E01-0A0	Bearing, Crank Pin (green)
7	12164-46E01-0B0	Bearing, Crank Pin (black)
7	12164-46E01-0C0	Bearing, Crank Pin (brown)
7	12164-46E01-0D0	Bearing, Crank Pin (yellow)
8	21111-20F00	Gear, Primary Drive
9	21112-19F00	Bolt, Primary Drive Gear
10	12731-19F00	Sprocket, Cam Chain Drive
11	17451-19F00	Gear, Water Pump Drive
12	12541-20F00	Retainer, Crankshaft Brg Lh
13	09126-06011	Screw
14	12111-20F00-0F0	Piston
15	12140-20F00	Ring Set, Piston
16	12151-05A00	Pin, Piston
17	09381-20004	Circlip
18	12100-20F00-050	Piston Set (os:0.5)
18	12100-20F00-100	Piston Set (os:1.0)

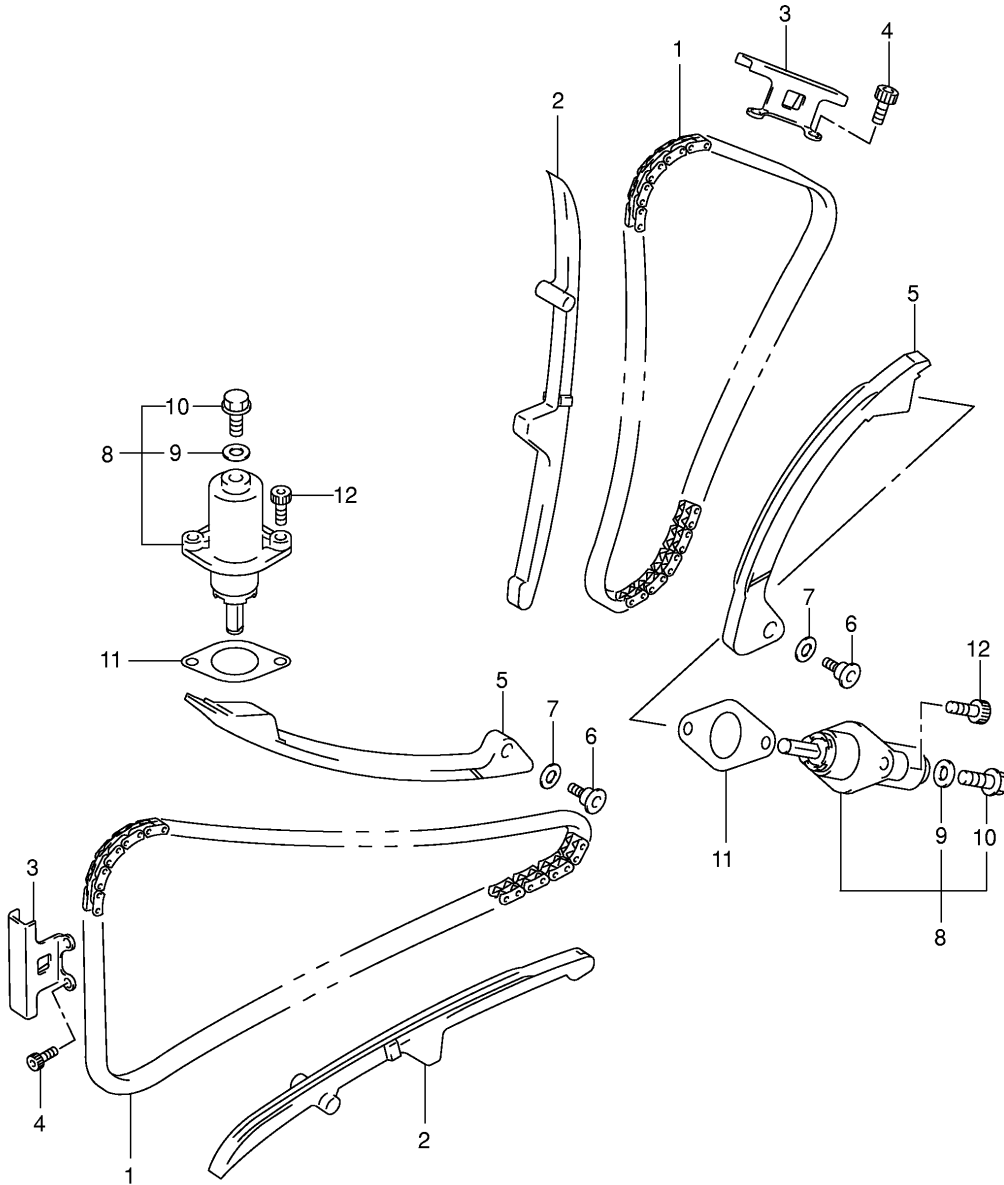
Ref No	Part No	Description
1	12611-20F01	Gear, Starter Idle
2	09206-12001	Pin
3	12600-20840	Clutch Set, Starter
4	07130-08163	Bolt

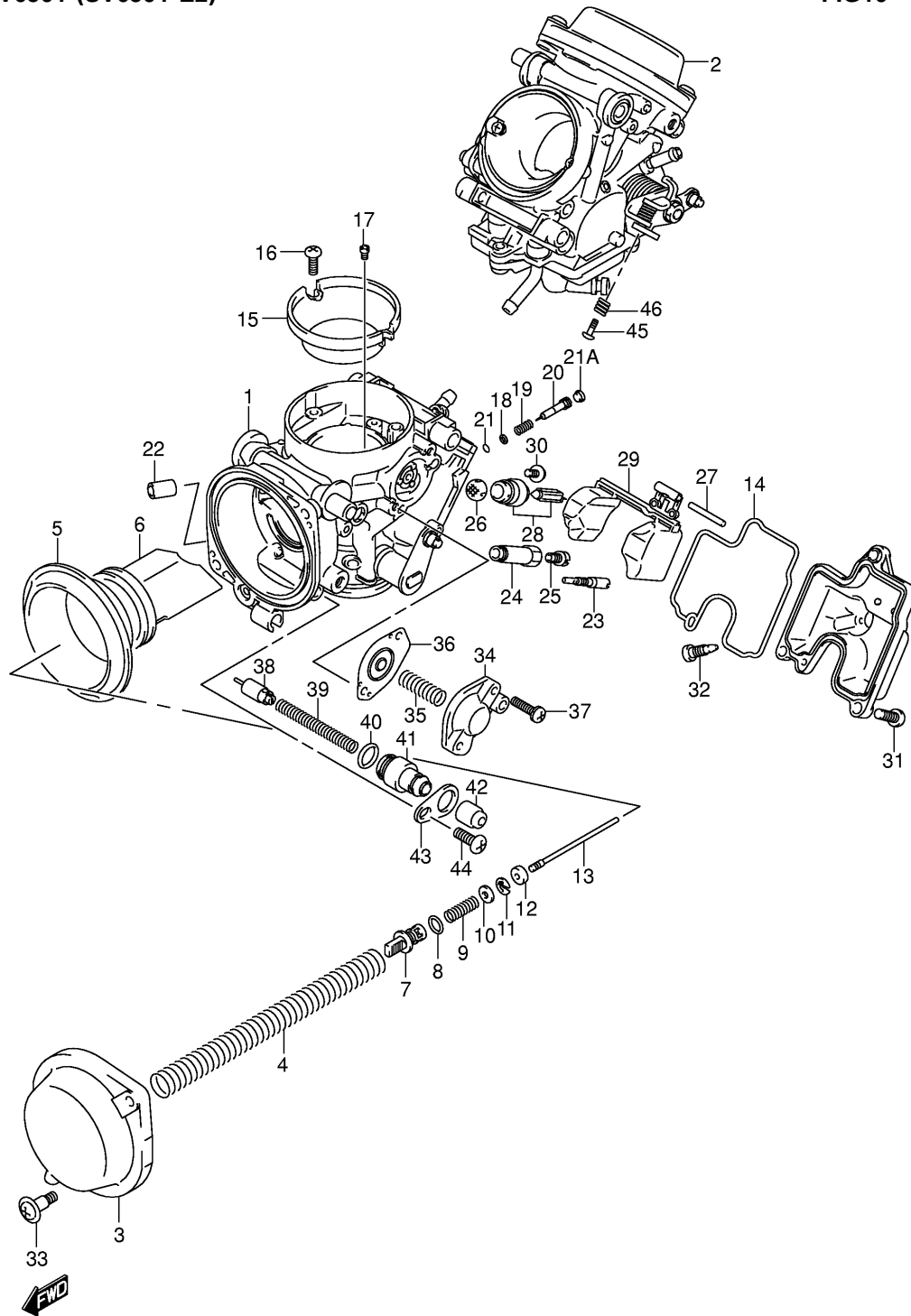




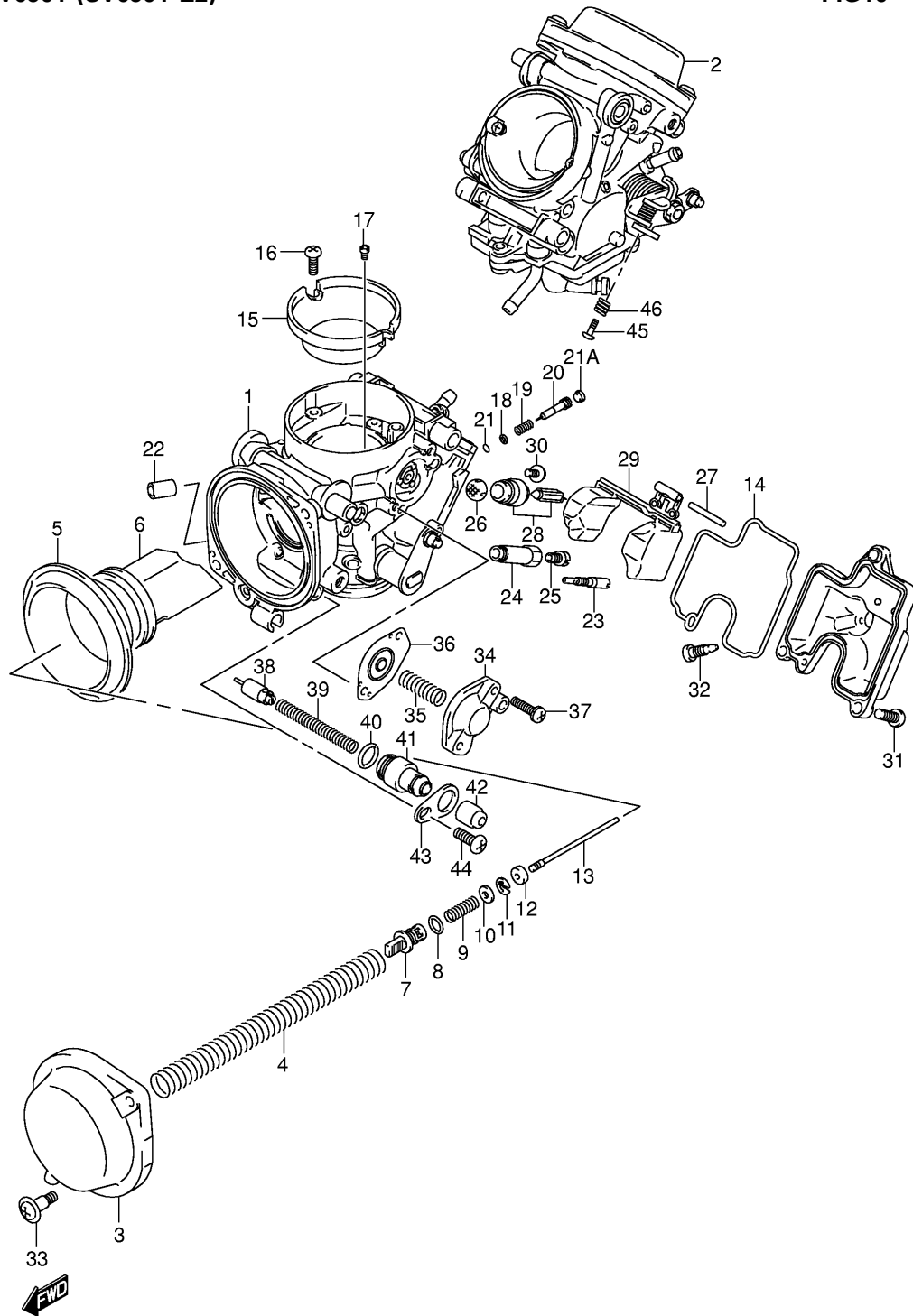
Ref No	Part No	Description
1	12710-20F00	Cam Shaft, Intake Front
2	12720-20F00	Cam Shaft, Exhaust Front
3	12730-20F00	Cam Shaft, Intake Rear
4	12740-20F00	Cam Shaft, Exhaust Rear
5	12800-05820	Shim Set, Tappet
6	99000-69491	• Case, Tappet Shim
7	12911-46E00	Valve, Intake
8	12912-20F00	Valve, Exhaust
9	12920-33E10	Spring Set, Valve
10	12931-33E10	Retainer, Valve Spring
11	12933-39E00	Seat, Valve Spring
12	09289-04002	Oil Seal (4.5x10x8)
13	12932-17E50	Cotter, Valve
14	12891-17E00	Tappet
15	12892-05C00-120	Shim, Tappet (t:1.20)
15	12892-05C00-125	Shim, Tappet (t:1.25)
15	12892-05C00-130	Shim, Tappet (t:1.30)
15	12892-05C00-135	Shim, Tappet (t:1.35)
15	12892-05C00-140	Shim, Tappet (t:1.40)
15	12892-05C00-145	Shim, Tappet (t:1.45)
15	12892-05C00-150	Shim, Tappet (t:1.50)
15	12892-05C00-155	Shim, Tappet (t:1.55)
15	12892-05C00-160	Shim, Tappet (t:1.60)
15	12892-05C00-165	Shim, Tappet (t:1.65)
15	12892-05C00-170	Shim, Tappet (t:1.70)
15	12892-05C00-175	Shim, Tappet (t:1.75)
15	12892-05C00-180	Shim, Tappet (t:1.80)
15	12892-05C00-185	Shim, Tappet (t:1.85)
15	12892-05C00-190	Shim, Tappet (t:1.90)
15	12892-05C00-195	Shim, Tappet (t:1.95)
15	12892-05C00-200	Shim, Tappet (t:2.00)
15	12892-05C00-205	Shim, Tappet (t:2.05)
15	12892-05C00-210	Shim, Tappet (t:2.10)
15	12892-05C00-215	Shim, Tappet (t:2.15)
15	12892-05C00-220	Shim, Tappet (t:2.20)

Ref No	Part No	Description
1	12760-19F00	Chain, Cam Shaft Drive
2	12771-19F00	Guide, Cam Chain No.1
3	12782-19F00	Guide, Cam Chain No.2
4	07130-06123	Bolt
5	12811-19F00	Tensioner, Cam Chain
6	12812-35C00	Bolt, Cam Chain Tensioner
7	08211-06181	Washer
8	12830-19F11	Adjuster Assy, Tensioner
9	12837-33E00	Gasket, Tensioner Adjuster
10	12834-33E00	Plug, Tensioner Adjuster
11	12837-24A10	Gasket, Tensioner Adjuster
12	07130-06253	Bolt

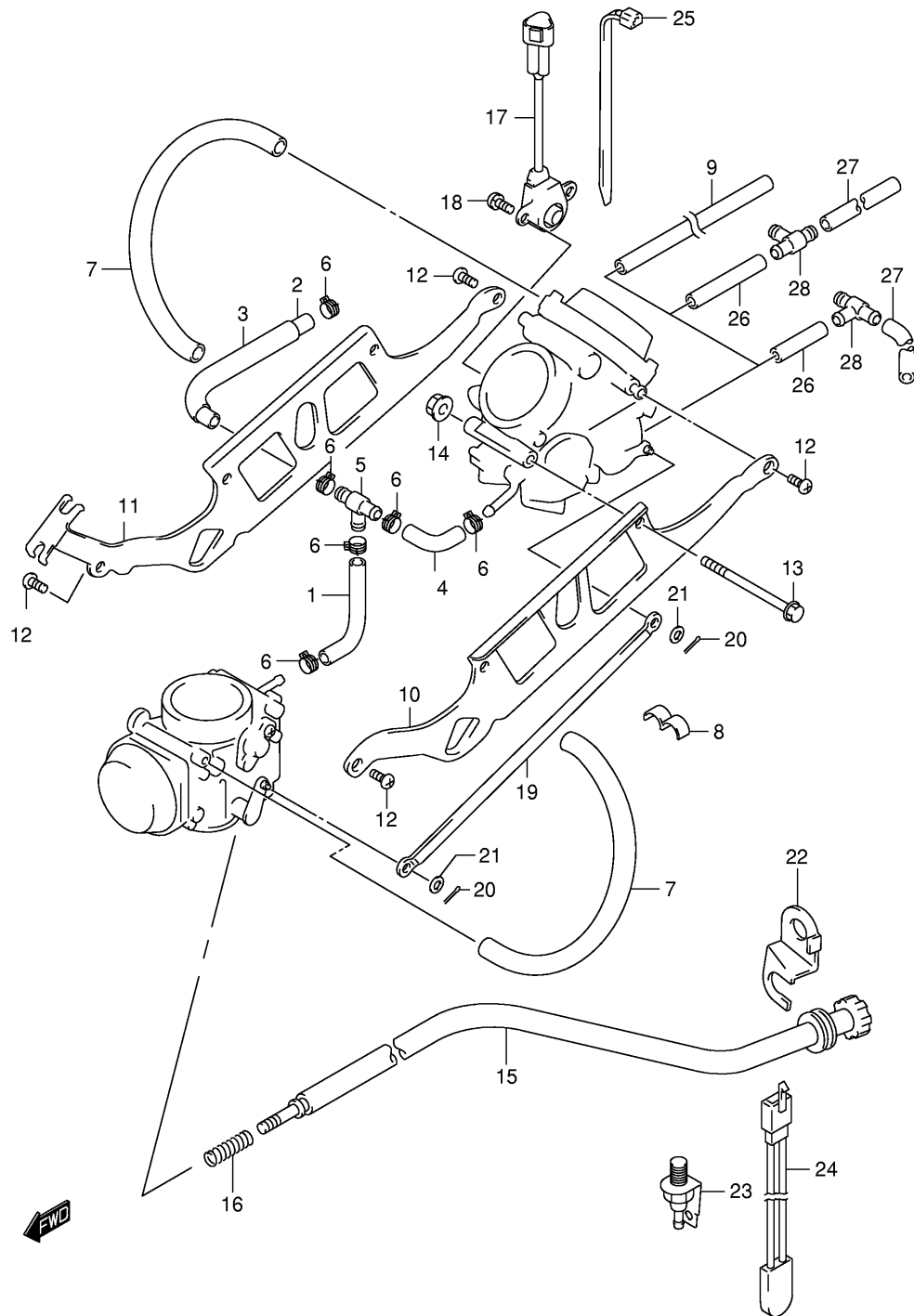




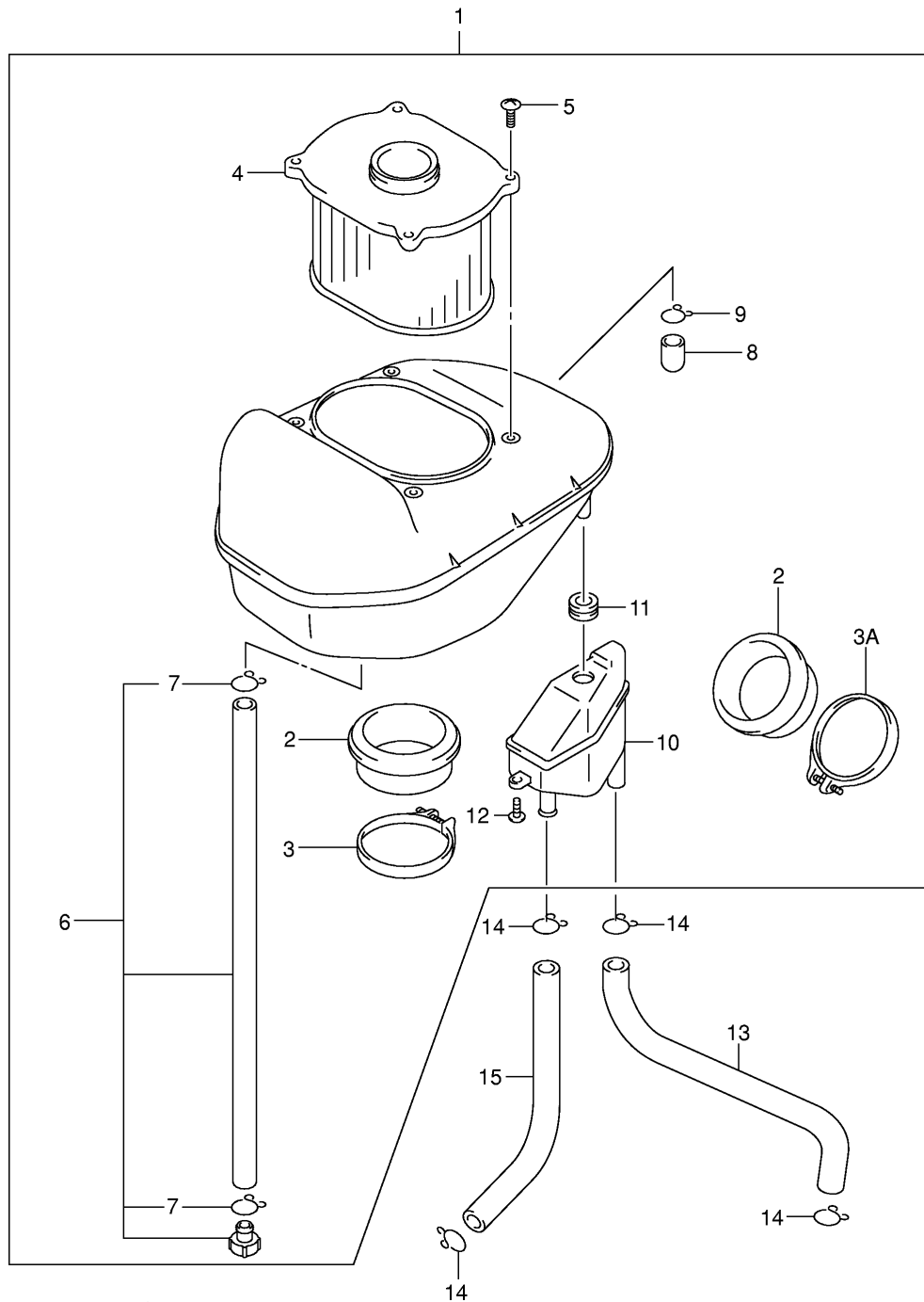
Ref No	Part No	Description
1	13201-20F00	Carburetor Assy, Front
1	13201-20F30	Carburetor Assy, Front
2	13202-20F00	Carburetor Assy, Rear
2	13202-20F30	Carburetor Assy, Rear
3	13502-07F00	. Cover Assy, Diaphragm
4	13481-19F00	. Spring
5	13507-33E00	. Diaphragm
6	13501-33E00	. Valve, Piston
7	13418-33E00	. Holder
8	09280-05004	. O Ring (d:1.9,id:4.8)
9	13481-33E00	. Spring
10	13382-44030	. Washer
11	13394-17E60	. E Ring, Multiple Jet Knzzel
12	13387-44030	. Ring
13	13383-33E00	. Needle, Jet (6e38-54-2)
14	13258-33E00	. O Ring
15	13667-20F00	. Funnel
16	02112-04123	. Screw
17	09493-34003	. Jet, Pilot Air (170)
17	09493-32007	. Jet, Pilot Air (160)
17	09492-30013	. Jet, Pilot Air (150)
18	13291-29900	. Washer
19	13268-48700	. Spring
20	13279-19F10	. Adjuster (2,1/2)
20	13279-19F10	. Adjuster (2,3/4)
20	13279-33E00	. Adjuster (3,1/2)
21	13295-29900	. O Ring
21a	13281-05A00	. Plug
22	13508-17C00	. Cap
23	09492-17016	. Jet, Pilot (17.5)
23	09492-15017	. Jet, Pilot (15)
24	13385-33E00	. Holder, Jet
25	09491-27014	. Jet, Main (137.5)
26	13376-19F00	. Filter
27	13254-92910	. Float Pin
28	13370-20F00	. Valve Assy, Needle
29	13250-33E00	. Float Assy
30	13602-05A10	. Screw
31	02112-05127	. Screw
32	13247-02340	. Screw, Drain
33	13247-33E00	. Screw
34	13502-10F00	. Cover Assy
35	13417-19F00	. Spring
36	13480-10F00	. Diaphragm Assy
37	13601-04148	. Screw
38	13411-01400	. Plunger, Starter
39	13417-07F00	. Spring
40	13278-18E20	. O Ring
41	13418-19F00	. Holder, Guide
42	13681-04010	. Cap, Carburetor
43	13421-19F00	. Plate
44	13601-05148	. Screw
45	13267-44B00	. Screw



Ref No	Part No	Description
46	13271-44B00	• . Spring



Ref No	Part No	Description
1	13684-48B10	Hose
2	13684-19F00	Hose (5.3x10.5x125)
3	13684-19F10	Hose (11x15x90)
4	13684-19F20	Hose (5.3x10.5)
5	13685-48B00	Nipple
6	13671-19F00	Clip
7	13686-19F00	Hose (7x11x250)
8	13671-19F10	Clip
9	09352-50903-600	Hose (5x9x600)
10	13482-20F00	Plate
11	13447-20F00	Plate
12	13602-05109	Screw
13	13612-19F00	Bolt
14	13324-19F00	Nut
15	13267-19F00	Adjust Screw Assy
16	13271-33C00	Spring
17	13580-19F00	Sensor Assy
18	13602-19B50	Screw
19	13553-19F00	Lever Assy
20	13563-19F00	Pin
21	13615-45010	Washer
22	13279-19F00	Plate, Idle Adjust
23	13650-25E01	Heater Assy, Carburetor
24	13655-25E00	Thermo Switch, Heater
25	09407-18402	Clamp, Thermo Switch
26	13683-10D20	Hose (5x9x60)
26	13684-20F30	Hose (5x9x40)
27	09352-50901-600	Hose (5x9x600)
28	13685-48B00	Nipple



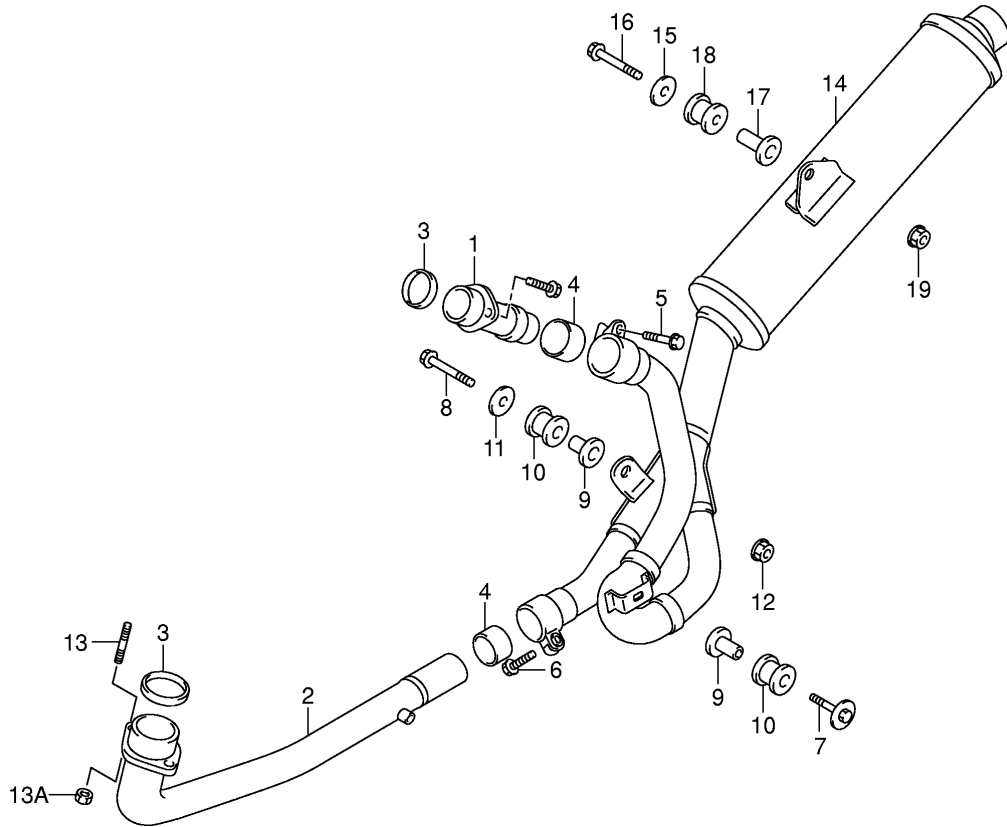
Ref No	Part No	Description
1	13700-20F00	Cleaner Assy, Air
1	13700-20F10	Cleaner Assy, Air
1	13700-20F01	Cleaner Assy, Air
1	13700-20F11	Cleaner Assy, Air
2	13881-20F00	. . Tube, Outlet
3	13170-20F10	. . Clamp, Outlet Tube Front
3a	13170-20F00	. . Clamp, Outlet Tube Rear
3a	09402-72203	. . Clamp, Outlet Tube Rear
4	13780-20F00	. . Filter, Air Cleaner
5	02142-05203	. . Screw
6	13870-19F00	. . Tube, Drain
6	13870-20F10	. . Tube, Drain
6	13870-20F11	. . Tube, Drain
7	09401-14301	•• .. Clip
8	13859-41B10	. . Plug
9	09401-14301	. . Clip
10	13840-20F00	. . Tank, Oil Return
10	13840-20F01	. . Tank, Oil Return
11	09308-13001	•• .. Grommet
12	03142-05163	. . Screw
13	13851-20F00	Tube, Breather Crankcase
13	13851-20F10	Tube, Breather Crankcase
14	09401-15101	Clip
15	09355-11165-600	Tube, Breather Cylinder

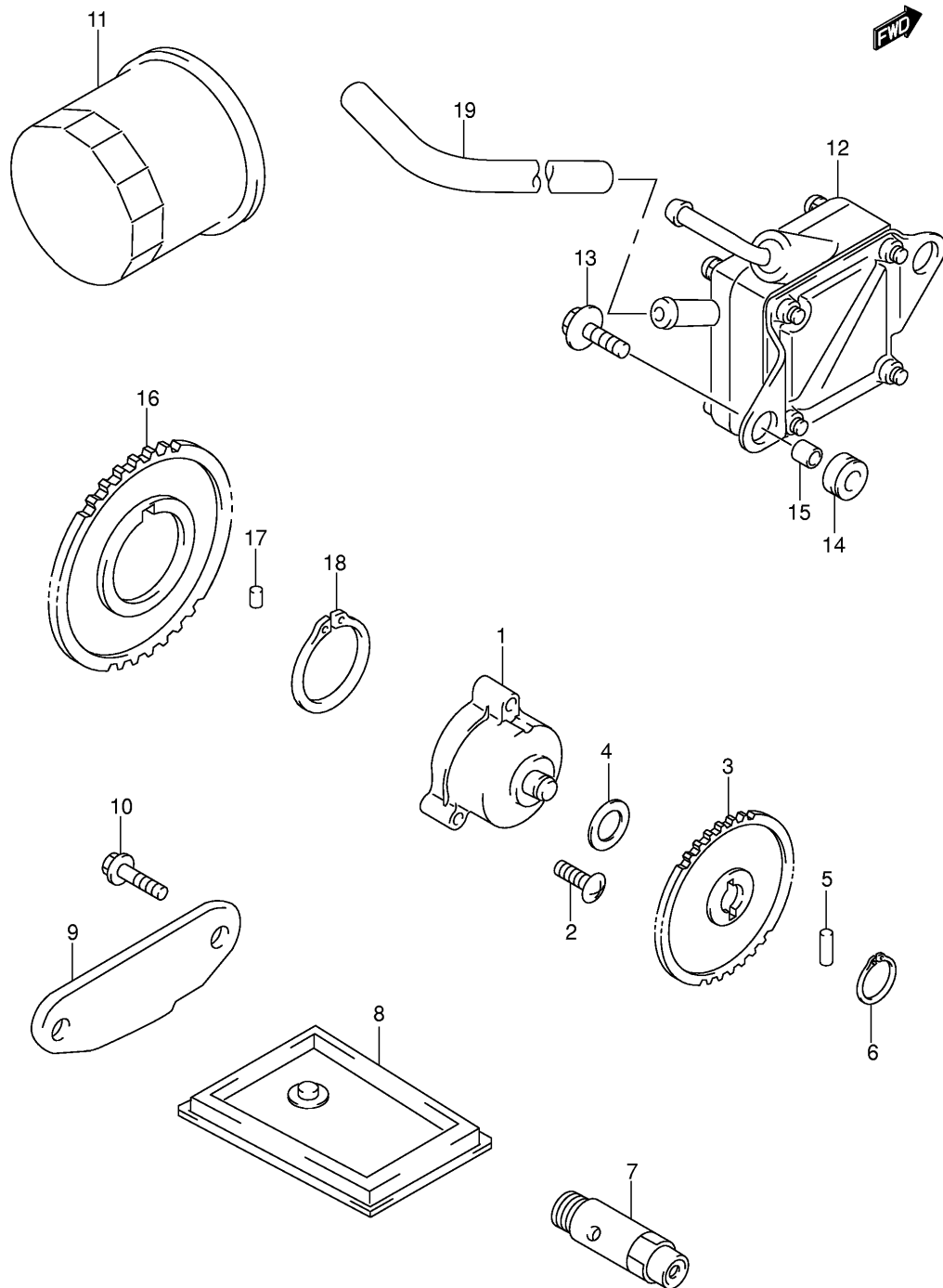
(11x16x600)



Ref No	Part No	Description
--------	---------	-------------

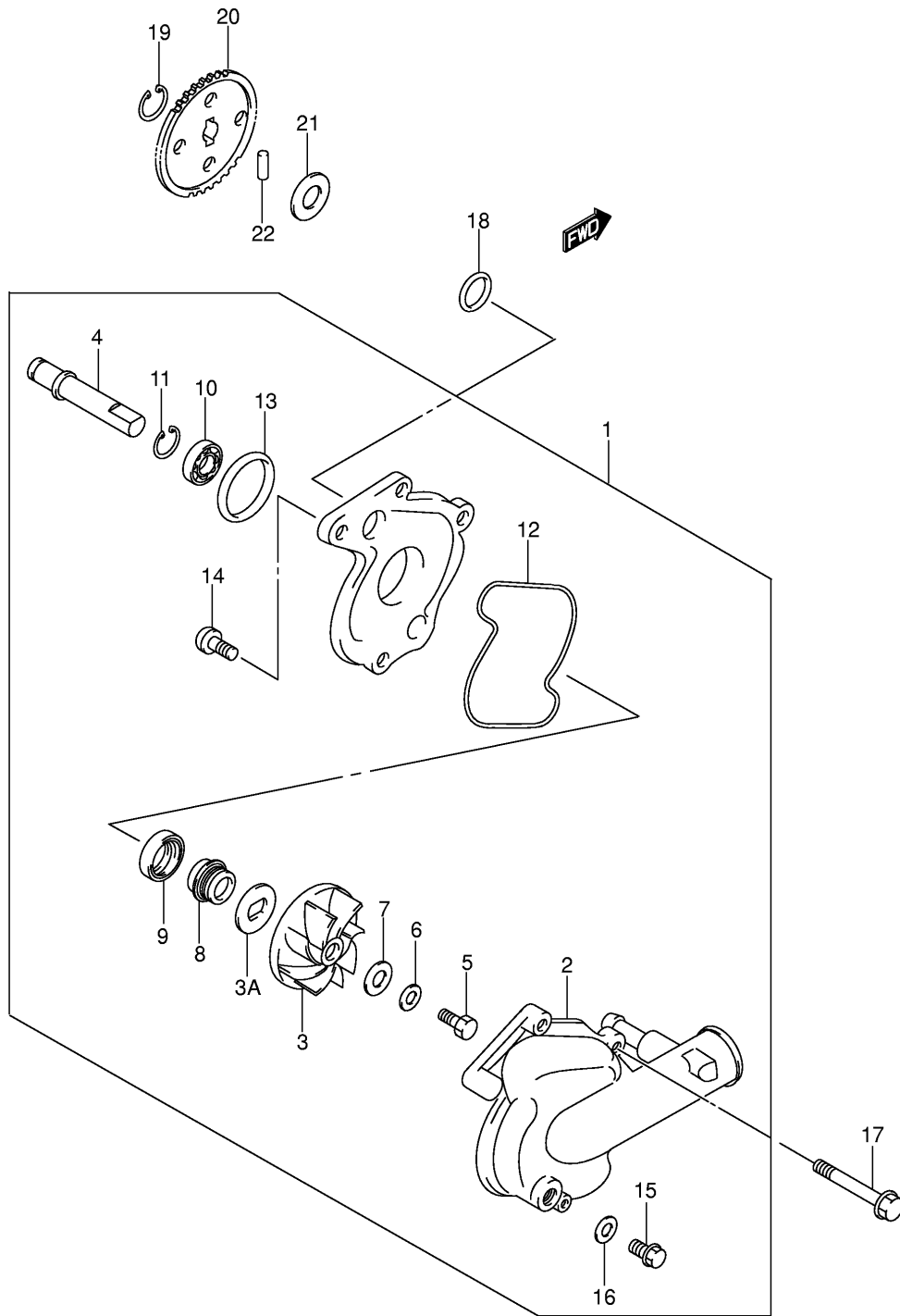
1	14150-19F00	Pipe, Exhaust Rear
2	14160-19F10	Pipe, Exhaust Front
3	14181-22D01	Gasket, Exhaust Pipe
4	14771-32E00	Connector, Muffler
5	07120-08403	Bolt
6	07120-08403	Bolt
7	09118-08068	Bolt (8x40)
8	01550-08457	Bolt
9	09180-08152	Spacer (8.6x12x24.2)
10	09320-12048	Cushion
11	09160-08138	Washer (8.5x30x2.3)
12	08361-25088	Nut
13	01421-08253	Bolt, Stud (8x25)
13a	08319-31087	Nut
14	14305-19F11-H01	Muffler
15	09160-08140	Washer (8.5x33x2.6)
16	01550-08457	Bolt
17	09180-08156	Spacer (8.6x12x25.5)
18	09320-12049	Cushion
19	08361-25088	Nut





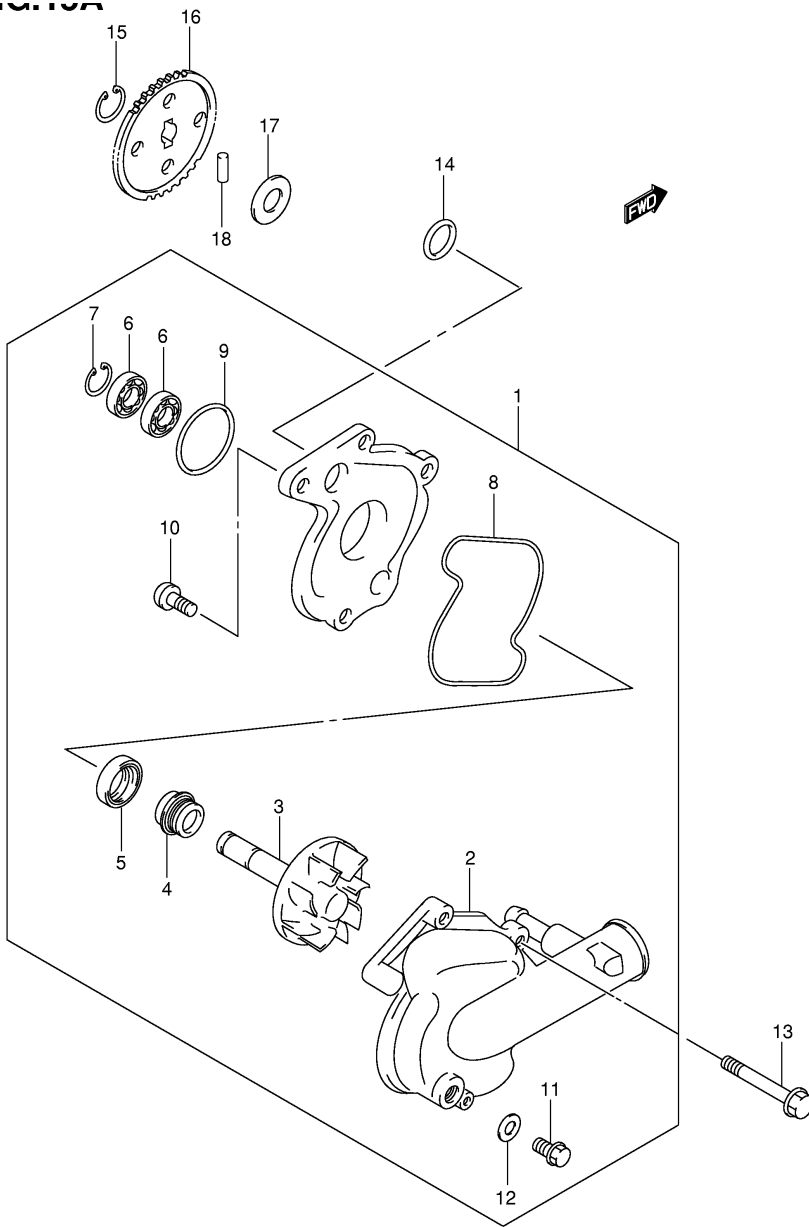
Ref No	Part No	Description
1	16400-20F00	Pump Assy, Engine Oil
2	02112-06253	Screw
3	16331-48E00	Gear, Oil Pump Driven (nt:34)
4	09181-10158	Shim
5	09261-04009	Pin (4x15.8)
6	08331-31106	Circlip
7	16440-17C20	Valve Assy, Oil Relief
8	16520-32E00	Strainer, Engine Oil
9	16523-48E00	Cap, Oil Strainer
10	01547-06123	Bolt
11	16510-34E00	Filter Assy, Engine Oil
12	15100-19F00	Pump Assy, Fuel
13	09116-06115	Bolt, Fuel Pump
14	09320-09036	Cushion, Fuel Pump
15	09180-06257	Spacer, Fuel Pump
16	16321-19F00	Gear, Engine Oil Pump Drive
17	09261-06002	Roller (od:6,l:6)
18	08331-31383	Circlip
19	09355-50105-600	Hose, Vacuum

Ref No	Part No	Description
1	17400-19F02	Pump Assy, Water
2	17411-19F00	. Case, Water Pump
3	17491-19F01	. Impeller, Water Pump
3a	17533-02F00	. Washer, Impeller
4	17511-19F00	. Shaft, Water Pump
5	09100-06162	. Bolt (6x13)
6	09164-06006	. Lock Washer
7	09168-06025	. Gasket (6x15x2.2)
8	17470-02F10	. Seal, Mechanical
9	09283-10004	. Oil Seal (10x21x5)
10	09262-10014	. Bearing (10x26x8)
11	08332-11086	. E Ring
12	17418-19F00	. O Ring
13	17435-33400	. O Ring
14	02112-06163	. Screw
15	17415-14300	. Bolt, Drain
16	09168-08008	. Gasket (8.2x14x1)
17	09103-06206	Bolt
18	09280-22001	O Ring (d:2.4,id:21.8)
19	08331-31106	Circlip
20	17461-19F00	Gear, Water Pump Driven
21	09181-10158	Shim
22	09261-04002	Roller



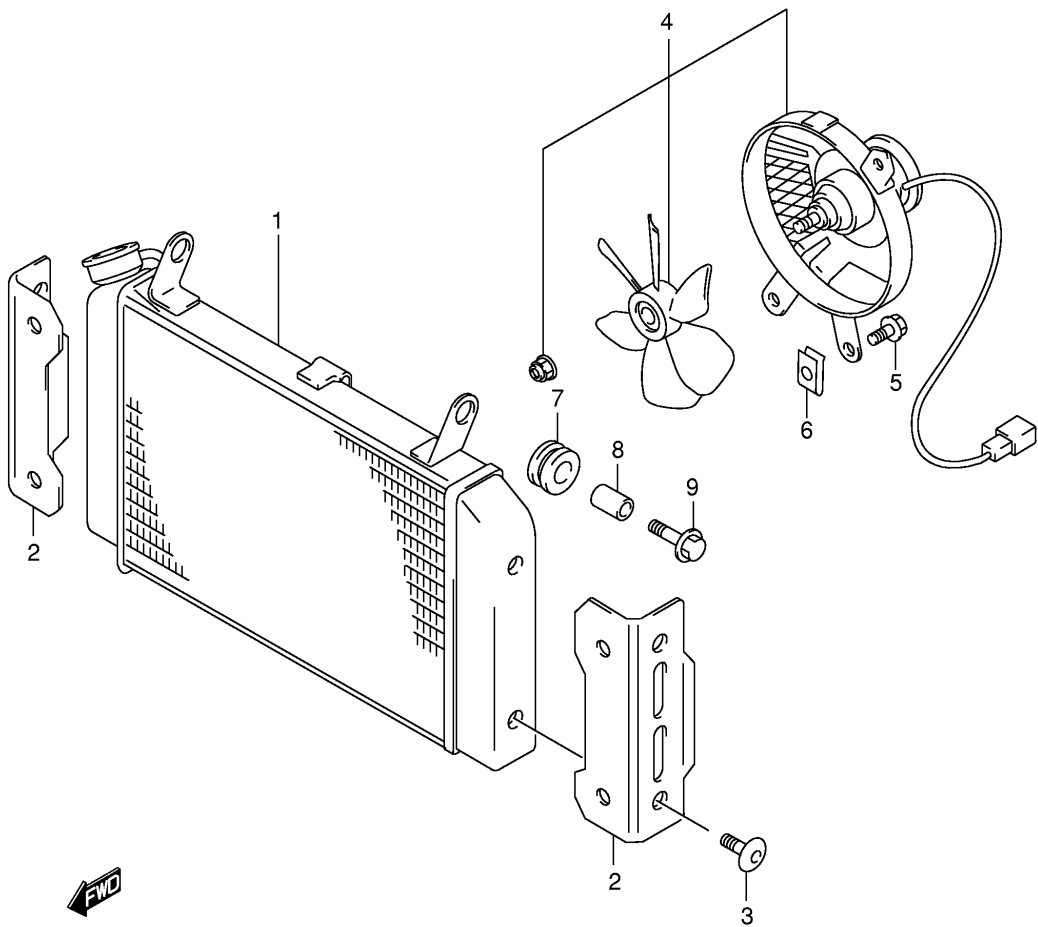
Ref No	Part No	Description
--------	---------	-------------

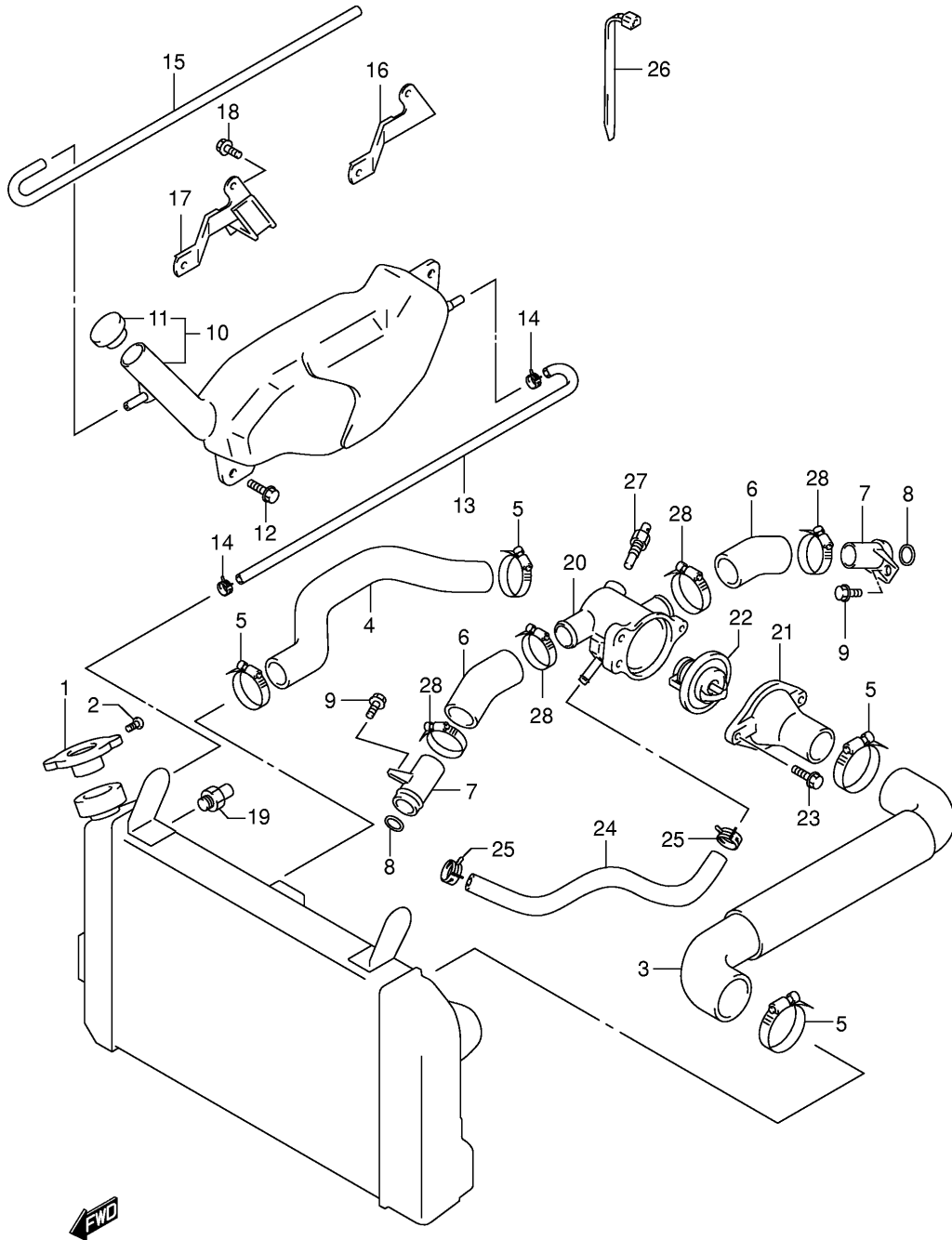
3	17491-19F10	• Impeller/shaft
4	17470-02F10	• Seal, Mechanical
5	09283-10004	• Oil Seal (10x21x5)
6	08110-69000	• Bearing
7	08332-11086	• E Ring
8	17418-19F00	• O Ring
9	17435-33400	• O Ring
10	02112-06163	• Screw
11	17415-14300	• Bolt, Drain
12	09168-08008	• Gasket (8.2x14x1)
13	09103-06206	Bolt
14	09280-22001	O Ring (d:2.4,id:21.8)
15	08331-31106	Circlip
16	17461-19F00	Gear, Water Pump Driven
17	09181-10158	Shim
18	09261-04002	Roller



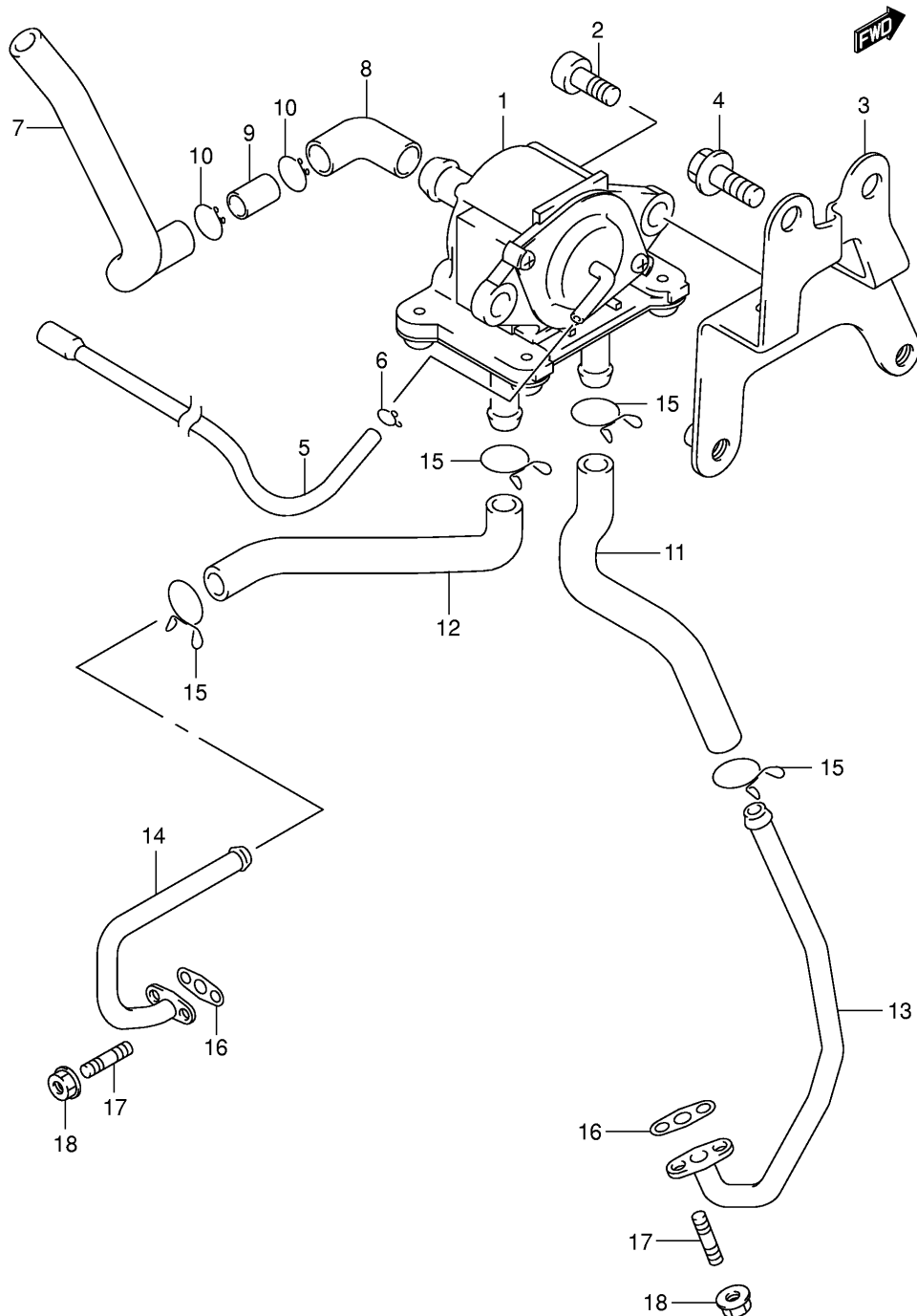
SV650Y E02_015A
 WATER PUMP

Ref No	Part No	Description
1	17710-19F00	Radiator Assy, Water
4	17800-19F10	Fan Assy, Radiator
5	01550-06103	Bolt
6	09148-06015	Nut
7	09320-10042	Cushion
8	09180-06290	Spacer (6.5x10x12)
9	09118-06097	Bolt (6x25)

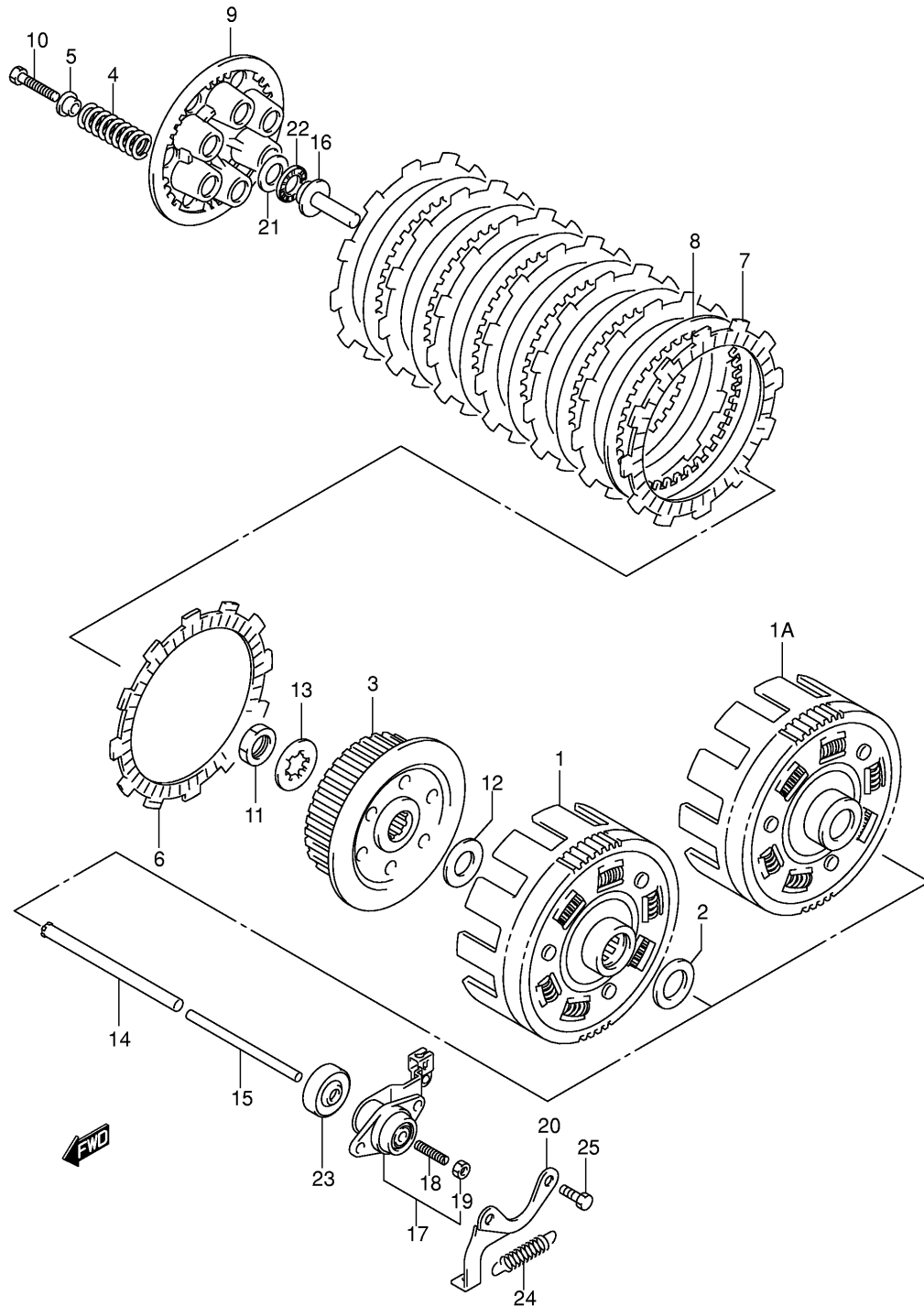




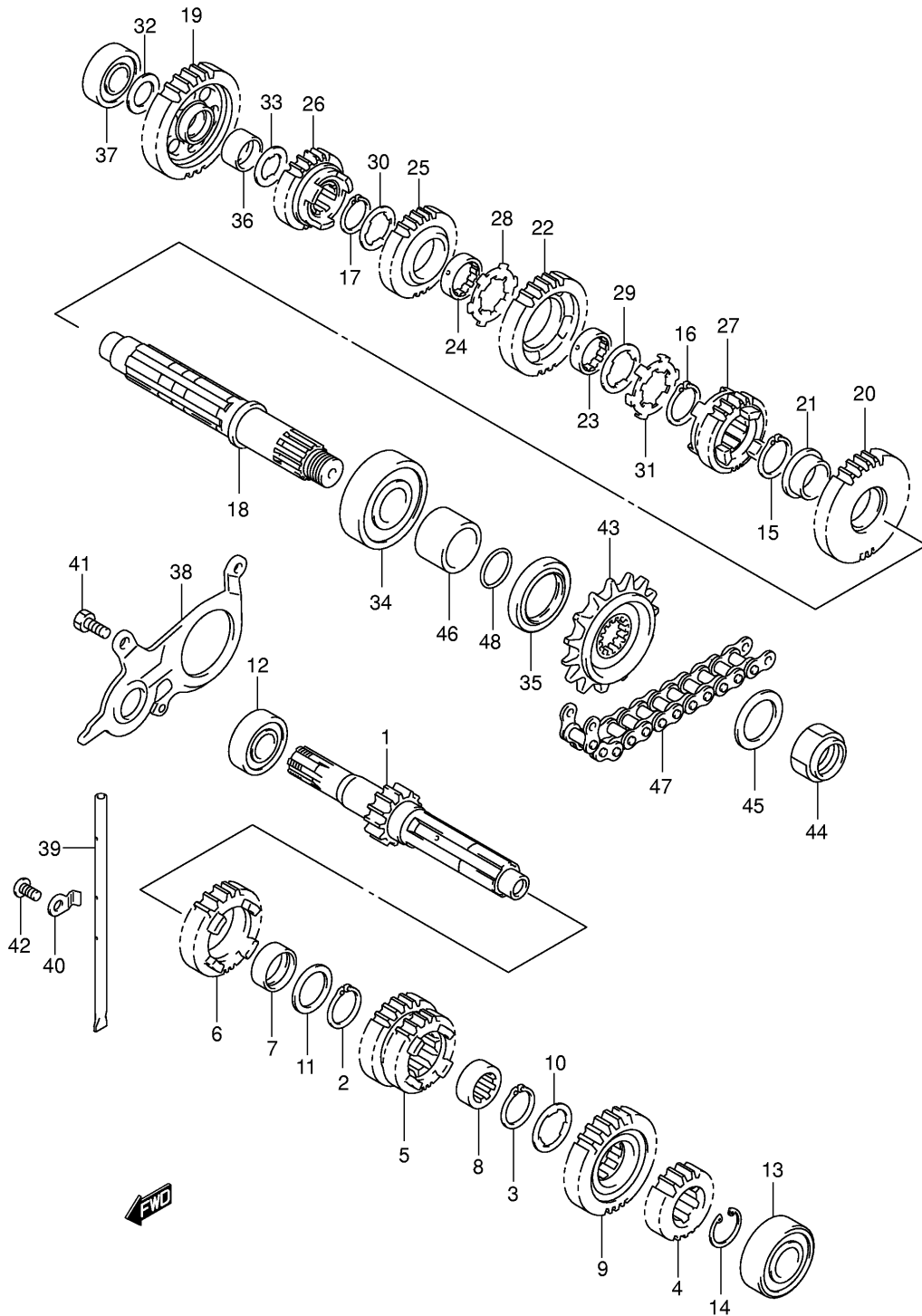
Ref No	Part No	Description
1	17730-12C20	Cap, Radiator
3	17851-19F00	Hose, Radiator Inlet
4	17852-19F00	Hose, Radiator Outlet
5	09402-38511	Clamp
6	17853-19F00	Hose, Connector Inlet
7	17890-02F00	Union, Connector Hose
8	09280-18009	O Ring
9	07130-06123	Bolt
10	17910-19F00	Tank Assy, Reservoir
11	17932-12C00	• Cap, Reservoir Tank
12	01550-06163	Bolt
13	17981-19F00	Hose, Reservoir Tank Inlet
14	09401-08411	Clip
15	09359-50901-980	Hose, Reservoir Tank Overflow (I:980)
17	17920-19F00	Bracket, Reservoir Tank
18	01550-06123	Bolt
19	17680-24A20	Switch, Radiator Fan
20	17662-19F02	Connector, Thermostat Inlet
21	17663-02FA0	Cap, Thermostat Connector
22	17670-50F00	Thermostat, Water (82Zc)
23	01550-06163	Bolt
24	17856-19F00	Hose, Connector To Water Pump
25	09401-12409	Clamp
26	09407-14403	Clamp (I:140)
27	34850-44D20	Sensor, Water Temperature
28	09402-28511	Clamp



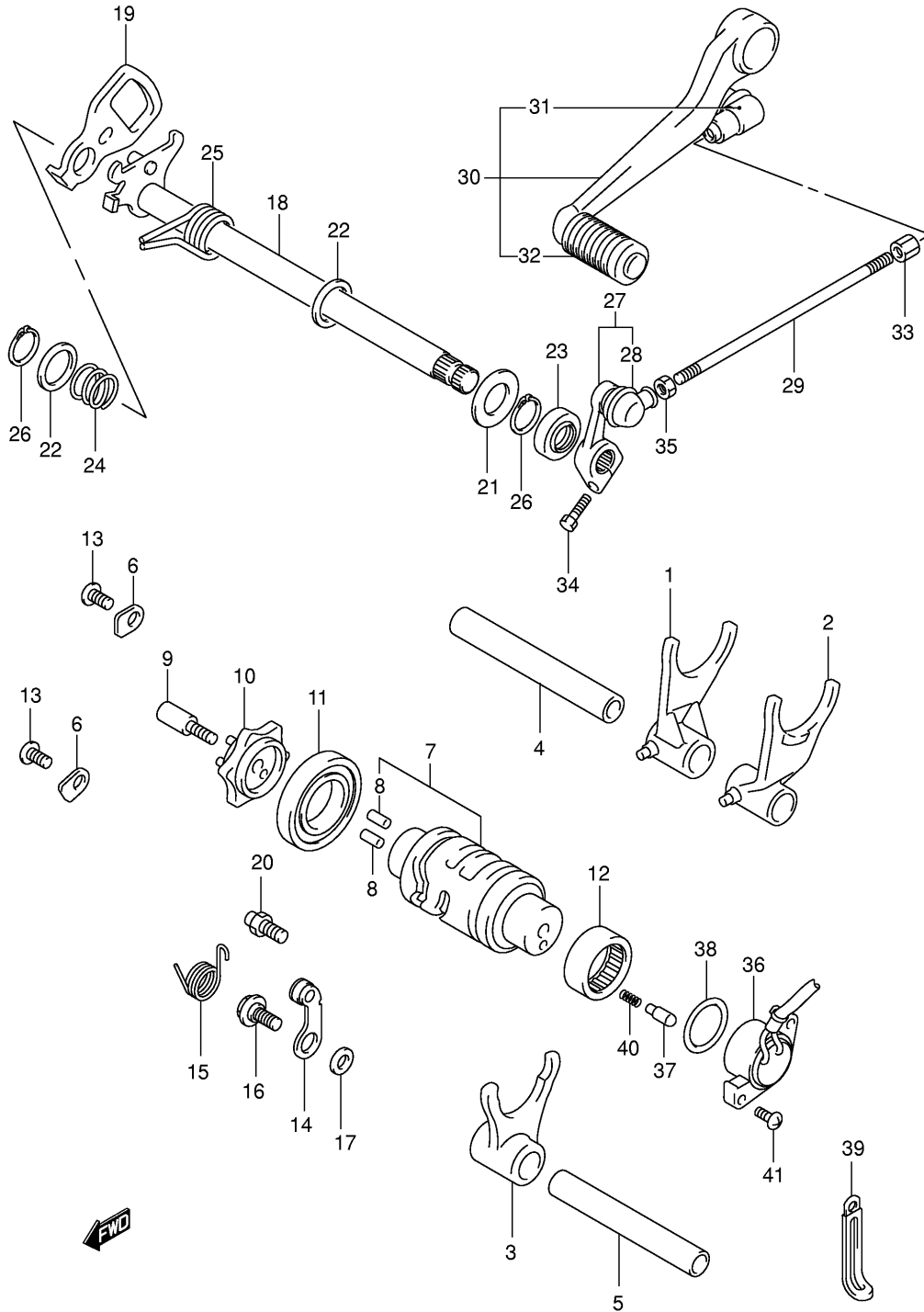
Ref No	Part No	Description
1	18450-20F01	Valve Assy, 2nd Air
2	07130-06163	Bolt, 2nd Air Valve
3	18610-20F00	Bracket, 2nd Air Valve
4	02162-06163	Bolt, 2nd Air Bracket
5	09359-40701-600	Hose, 2nd Air Vacuum
6	09401-06101	Clip
7	18711-20F00	Hose, 2nd Air Cleaner
8	18712-21F00	Hose, 2nd Air Cleaner Joint
9	13888-19B00	Joint, 2nd Air Cleaner Hose
10	09401-15101	Clip
11	18461-20F00	Hose, 2nd Air Valve Front
12	18471-20F00	Hose, 2nd Air Valve Rear
13	18410-20F00	Pipe, 2nd Air Front
14	18420-20F00	Pipe, 2nd Air Rear
15	09401-13409	Clip
16	18441-45C00	Gasket, 2nd Air Pipe
17	01421-06163	Bolt, Stud
18	08316-10063	Nut



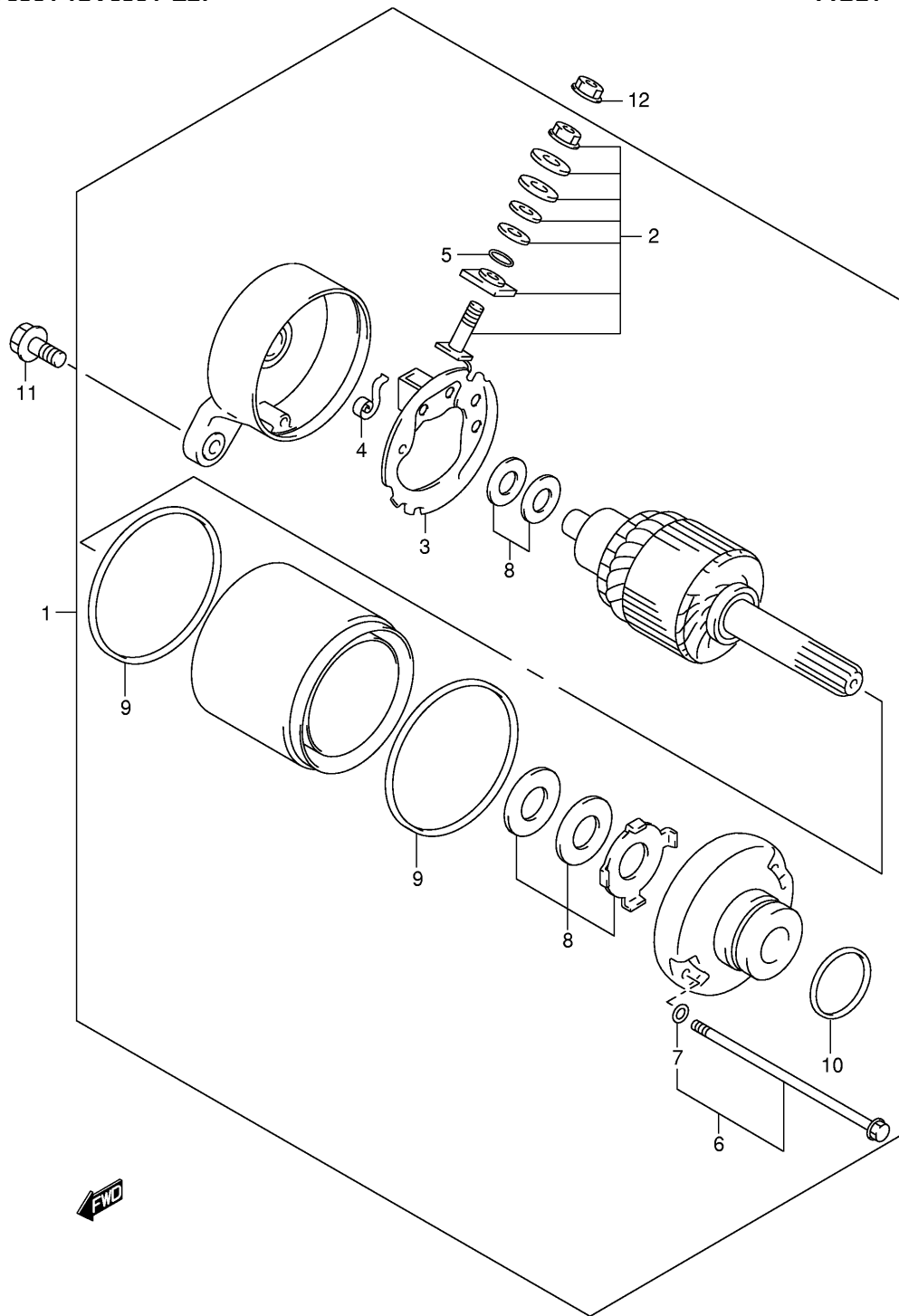
Ref No	Part No	Description
1	21200-20810	Gear Assy, Primary Driven
2	09160-20067	Washer (20x36x3)
3	21411-44101	Hub, Clutch Sleeve
4	21413-20F00	Spring, Clutch
5	21414-01D00	Spacer, Clutch Sleeve Hub
6	21440-19F00	Plate, Clutch Drive
7	21441-37440	Plate, Clutch Drive
8	21451-28C31	Plate, Clutch Driven (t:1.6)
9	21462-14301	Disc, Clutch Pressure
10	09100-06145	Bolt (6x40)
11	09140-20001	Nut
12	09160-20067	Washer (20x36x3)
13	09167-20006	Lock Washer
14	23110-44111	Rod, Push Rh
15	23111-24A01	Rod, Clutch Push Lh
16	23121-44100	Piece, Clutch Push
17	23200-11D00	Screw Assy, Clutch Release
18	09134-06010	• . Screw
19	08310-00067	• . Nut
20	23226-19F00	Support, Clutch Release
21	09160-15045	Washer (15.5x28x1)
22	09263-15003	Bearing (15x28x2)
23	09285-06015	Oil Seal (6x34x5.5)
24	09443-08001	Spring
25	01500-06163	Bolt



Ref No	Part No	Description
1	24120-19F00	Shaft, Counter (nt:13)
2	24127-19F00	Circlip, 5th Drive
3	24127-19F00	Circlip, 6th Drive
4	24221-20F00	Gear, 2nd Drive (nt:18)
5	24231-20F01	Gear, 3rd & 4th Drive
6	24251-20F01	Gear, 5th Drive (nt:26)
7	24252-19F00	Bush, 5th Drive
8	24252-38A10	Bush, 6th Drive
9	24261-20F00	Gear, 6th Drive (nt:27)
10	09167-25021	Washer, 6th Drive
11	09181-25167	Washer, 5th Drive
12	09262-17046	Bearing, Cntr Shaft Lh
13	09262-20116	Bearing, Cntr Shaft Rh
14	09380-25012	Ring, 2nd Drive
15	24127-19F00	Circlip, 2nd Driven
16	24127-19F00	Circlip, 3rd Driven
17	24127-19F00	Circlip, 4th Driven
18	24130-19F01	Shaft, Drive
19	24311-20F00	Gear, 1st Driven (nt:32)
20	24321-20F00	Gear, 2nd Driven (nt:32)
21	24322-19F00	Bush, 2nd Driven
22	24331-20F00	Gear, 3rd Driven (nt:29)
23	24332-24510	Bush, 3rd, Driven
24	24332-24510	Bush, 4th Driven
25	24341-20F00	Gear, 4th Driven (nt:27)
26	24351-20F01	Gear, 5th Drive (nt:25)
27	24361-20F00	Gear, 6th Drive (nt:23)
28	09167-25013	Lock Washer, 3rd Driven
29	09167-25021	Washer, 3rd Driven
30	09167-25021	Washer, 4th Driven
31	09169-25001	Washer, 3rd Driven Lock
32	09181-17195	Washer, 1st Driven
33	09181-20195	Washer, 1st Driven
34	09262-25125	Bearing, Drive Shaft Lh
35	09283-36003	Seal, Drive Shaft
36	09300-20032	Bush, 1st Driven
37	09262-17023	Bearing, Drive Shaft Rh
38	24751-19F00	Retainer, Drive Shaft Oil Seal
39	24881-12C20	Guide, T/m Oil
40	24885-12C10	Retainer, Transmission Oil
41	01500-06123	Bolt
42	02112-06123	Screw
43	27510-20F00	Sprocket, Engine (nt:15)
44	09159-20004	Nut, Engine Sprocket
45	09167-25019	Washer, Engine Sprocket
46	27531-19F00	Spacer, Engine Sprocket
47	27600-32C10-110	Chain Assy (did525v9,110le)
47	27600-32C10-108	Chain Assy (did525v9,108le)
48	09280-24010	O Ring (d:2.4,id:23.7)

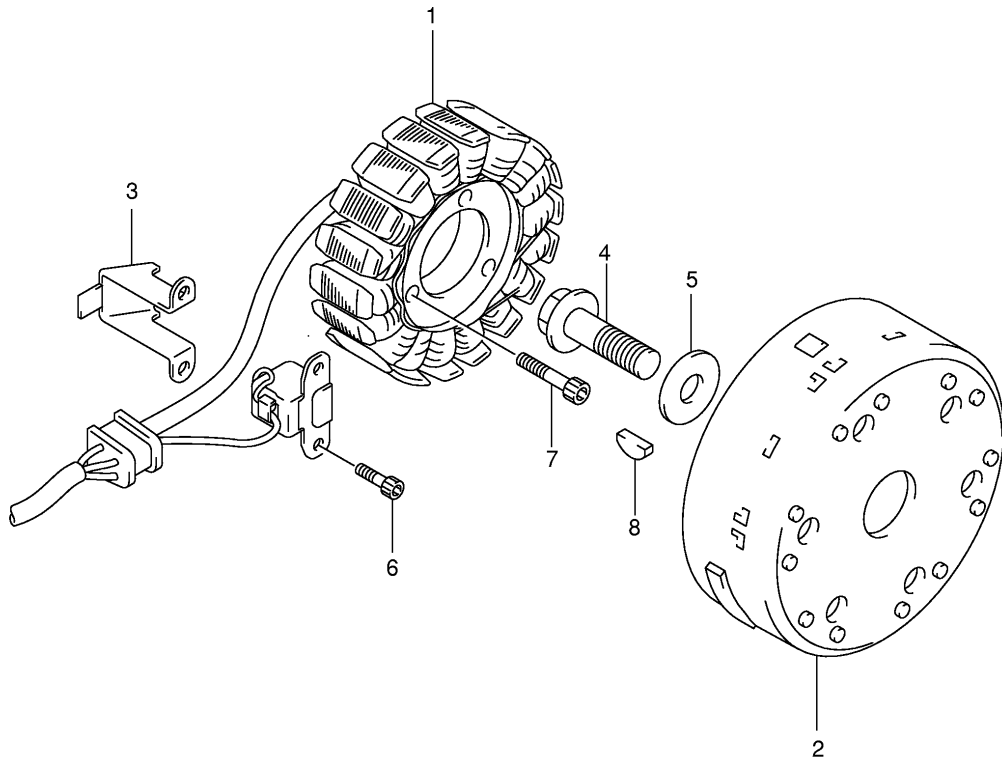


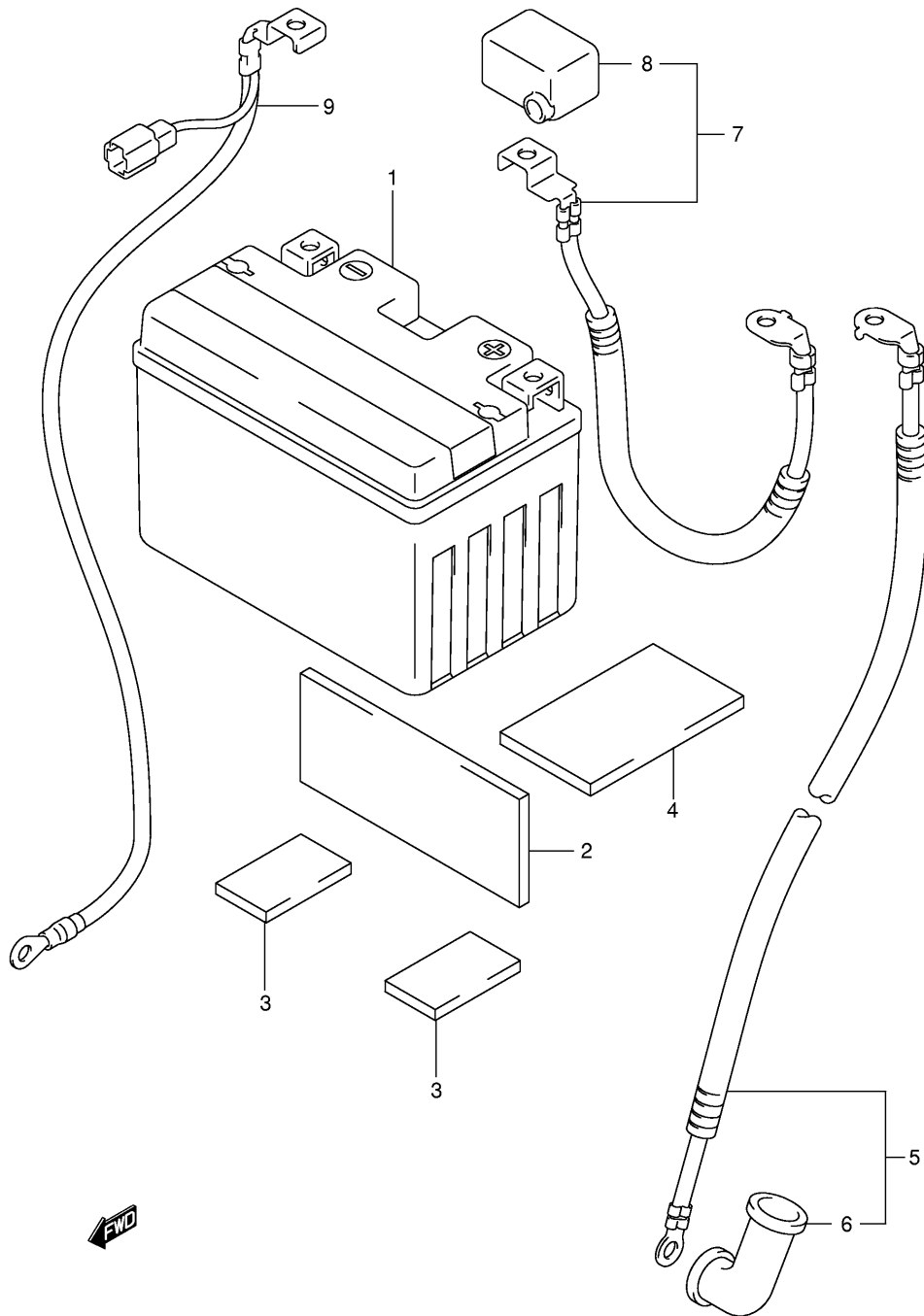
Ref No	Part No	Description
1	25211-42E10	Fork, Gear Shift No.1
2	25221-42E10	Fork, Gear Shift No.2
3	25231-42E10	Fork, Gear Shift No.3
4	25411-26D01	Shaft, Gear Shift Fork No.1
5	25411-44B00	Shaft, Gear Shift Fork No.2
6	24741-21A00	Retainer, Shift Cam Bearing
7	25310-19F00	Cam, Gear Shift
8	04221-04089	• . Knock Pin
9	25312-12C00	Pin, Shift Cam Driven Gear
10	25381-19F00	Plate, Gear Shift Cam
11	09262-25006	Bearing (25x47x8)
12	09263-25018	Bearing (25x32x12)
13	02112-06123	Screw
14	25350-24B00	Stopper, Gear Shift Cam
15	25355-20F00	Spring, Stopper Arm
16	09111-06041	Bolt (6x14.3)
17	08211-06141	Washer
18	25510-19F00	Shaft, Gear Shift
19	25512-13E11	Plate, Gear Shift Cam Drive
20	25671-01000	Stopper, Return Spring
21	09160-14016	Washer (14x29x0.8)
22	09181-14167	Shim
23	09283-14006	Oil Seal (14x22x6)
24	09440-17009	Spring
25	09444-20001	Spring
26	08331-31146	Circlip
27	25520-29B00	Arm, Gear Shift Link
28	25526-47000	• . Cover, Dust
29	25525-05A10	Rod, Gear Shift (l:175)
30	25600-33E00	Lever Assy, Gear Shift
31	25526-47000	• . Cover, Dust
32	25652-20C00	• . Rubber, Gear Shift Pedal
33	09140-06011	Nut
34	01500-06203	Bolt
35	08310-00067	Nut
36	37720-20F00	Base Assy, Gear Shift Terminal
37	09209-05011	Contact
38	09280-26007	O Ring (od:2.4,id:25.7)
39	09404-08206	Clamp (l:82)
40	09440-04010	Spring
41	02112-05163	Screw



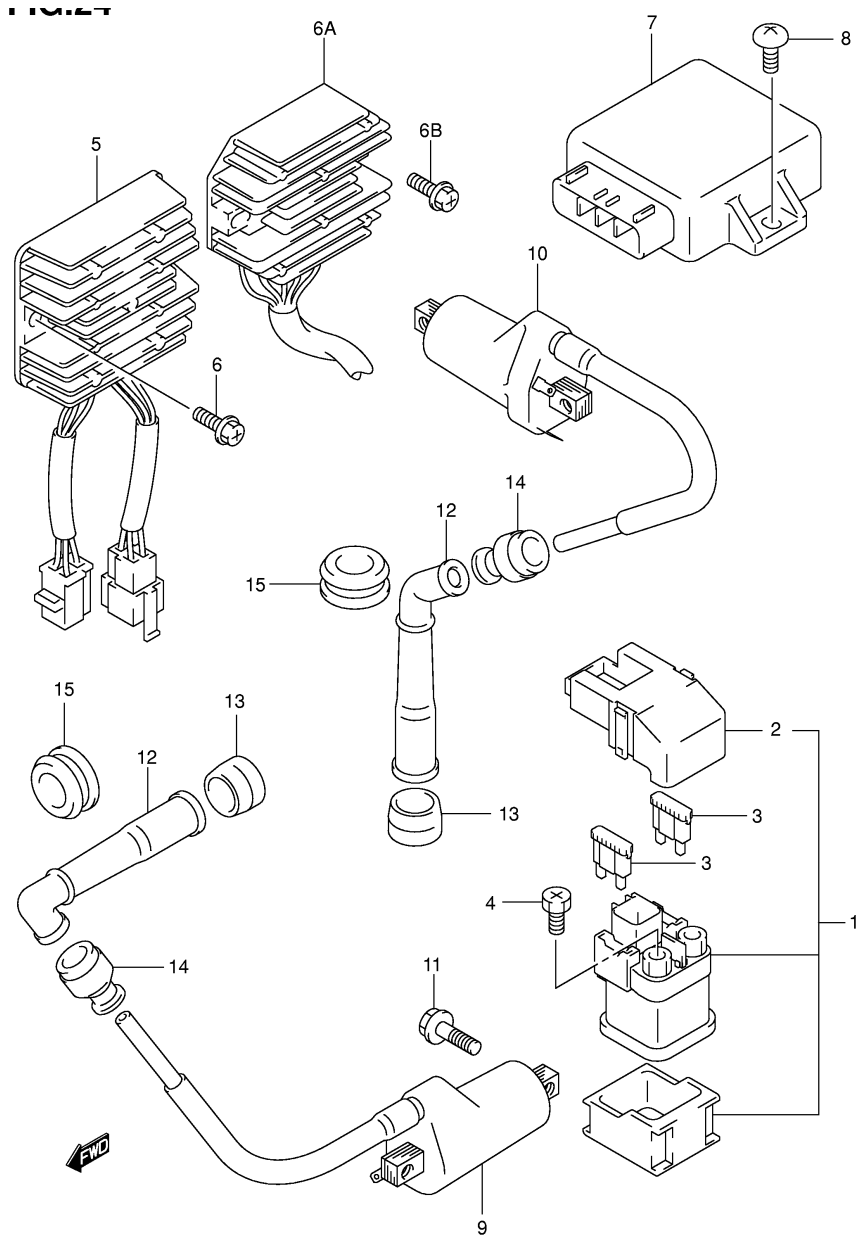
Ref No	Part No	Description
1	31100-19F00	Motor Assy, Starting
2	31130-13E00	• . Brush Terminal Set
3	31132-33E00	• . Brush Holder Set
4	31135-31300	• . Spring, Brush
5	31143-49040	• . O Ring
6	31280-19F00	• . Set Bolt Assy
7	31156-13E00	•• . O Ring
8	31170-19B10	• . Washer Set
9	31264-13E00	• . O Ring
10	09280-25002	• . O Ring (d:3.1,id:24.4)
11	01547-06253	Bolt
12	08361-35068	Nut

Ref No	Part No	Description
1	32101-19F00	Stator Assy
2	32102-20F00	Rotor Assy
3	32371-19F00	Clamp, Magneto Lead
4	09103-12004	Bolt (12x40)
5	09160-12036	Washer (12x30x3)
6	07130-05123	Bolt
7	07130-06303	Bolt
8	09420-04008	Key



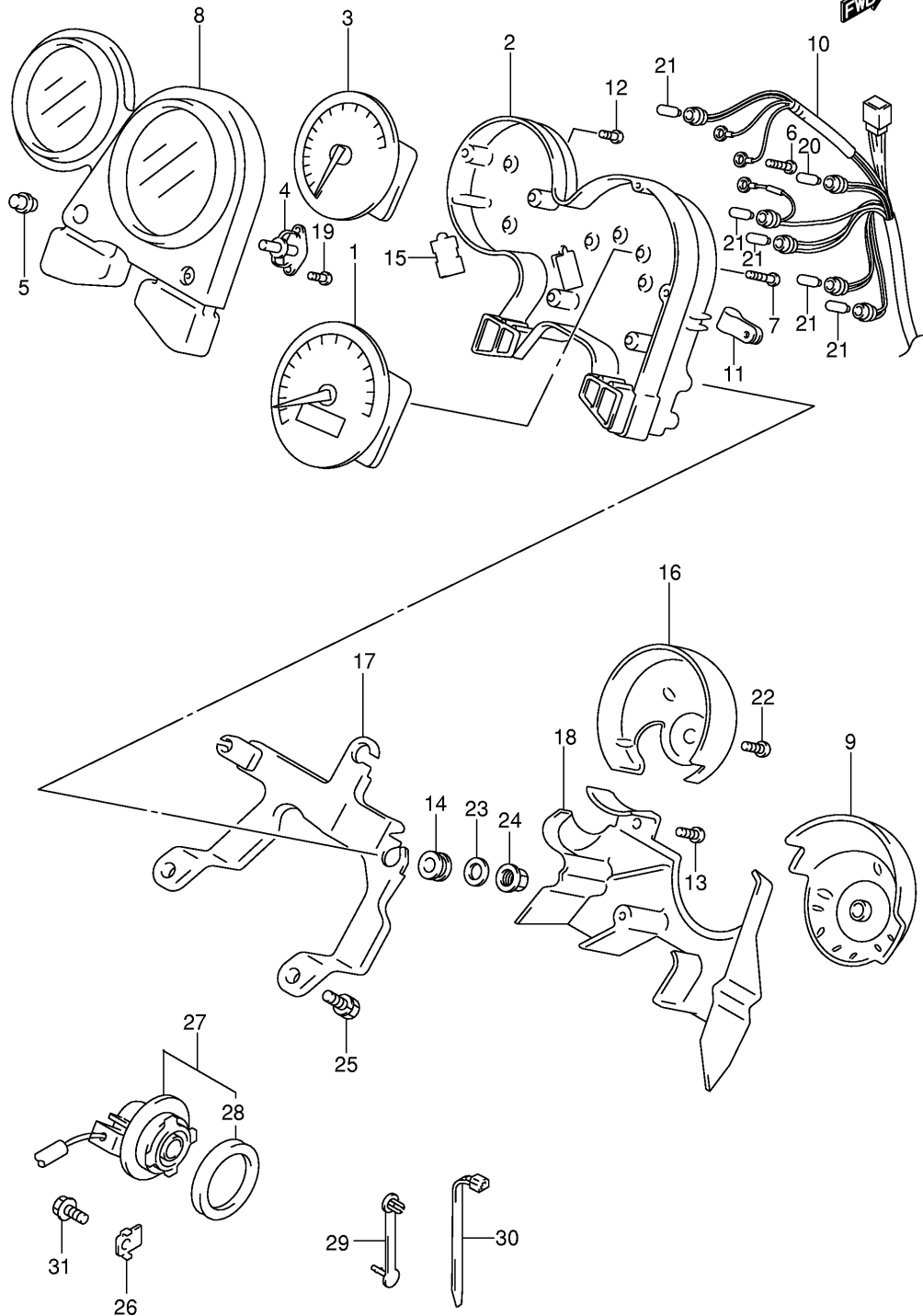


Ref No	Part No	Description
1	33610-02F01	Battery Assy (yt12a-bs,12v,10ah)
2	33651-37000	Protector (170x95x3.0)
3	33652-28000	Protector, Battery (20x45x6)
4	33652-19F00	Protector (85x40x5)
5	33810-19F00	Wire, Starter Motor Lead
6	31861-48B10	• . Cap, Starter Motor Lead
7	33820-19F00	Wire, Battery (+) Lead
8	33624-16E00	• . Cap, Battery (+)
9	33860-19F00	Wire, Battery (-) Lead

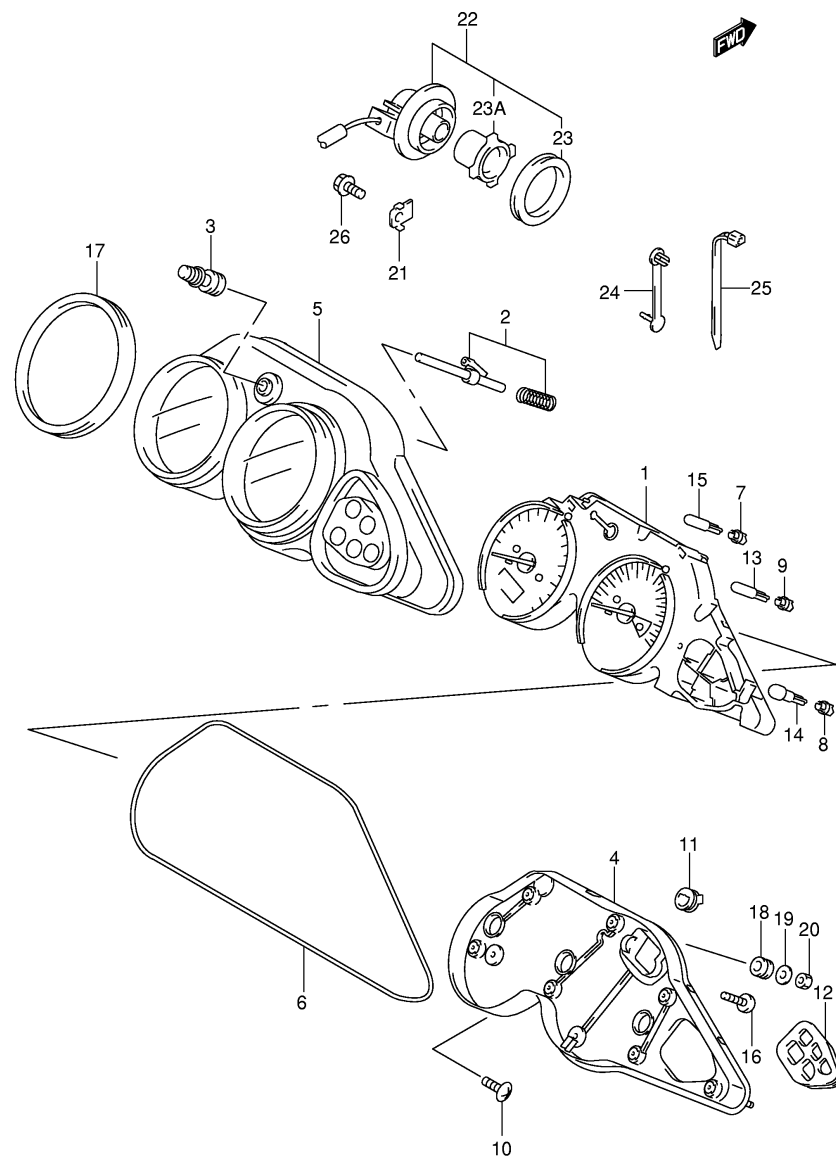


Ref No	Part No	Description
1	31800-21E20	Relay Assy, Starting Motor
2	31861-21E20	• . Cover, Relay Assy
3	09481-30101	• . Fuse (30a)
4	09128-06013	Screw (6x8)
5	32800-24B01	Rectifier Assy
6	02162-06163	Bolt
7	32900-20F00	Igniter Assy
7	32900-20F20	Igniter Assy
8	03542-06163	Screw
9	33410-19F00	Coil Assy, Ignition
10	33420-19F00	Coil Assy, Ignition
11	01500-06203	Bolt
12	33510-11D00	Cap, Spark Plug
13	33541-23E01	Seal, Spark Plug Cap
14	33542-38B00	Seal, High Tension Cord
15	33543-19F00	Cover, Spark Plug Cap

SV650Y E02_024
 ELECTRICAL

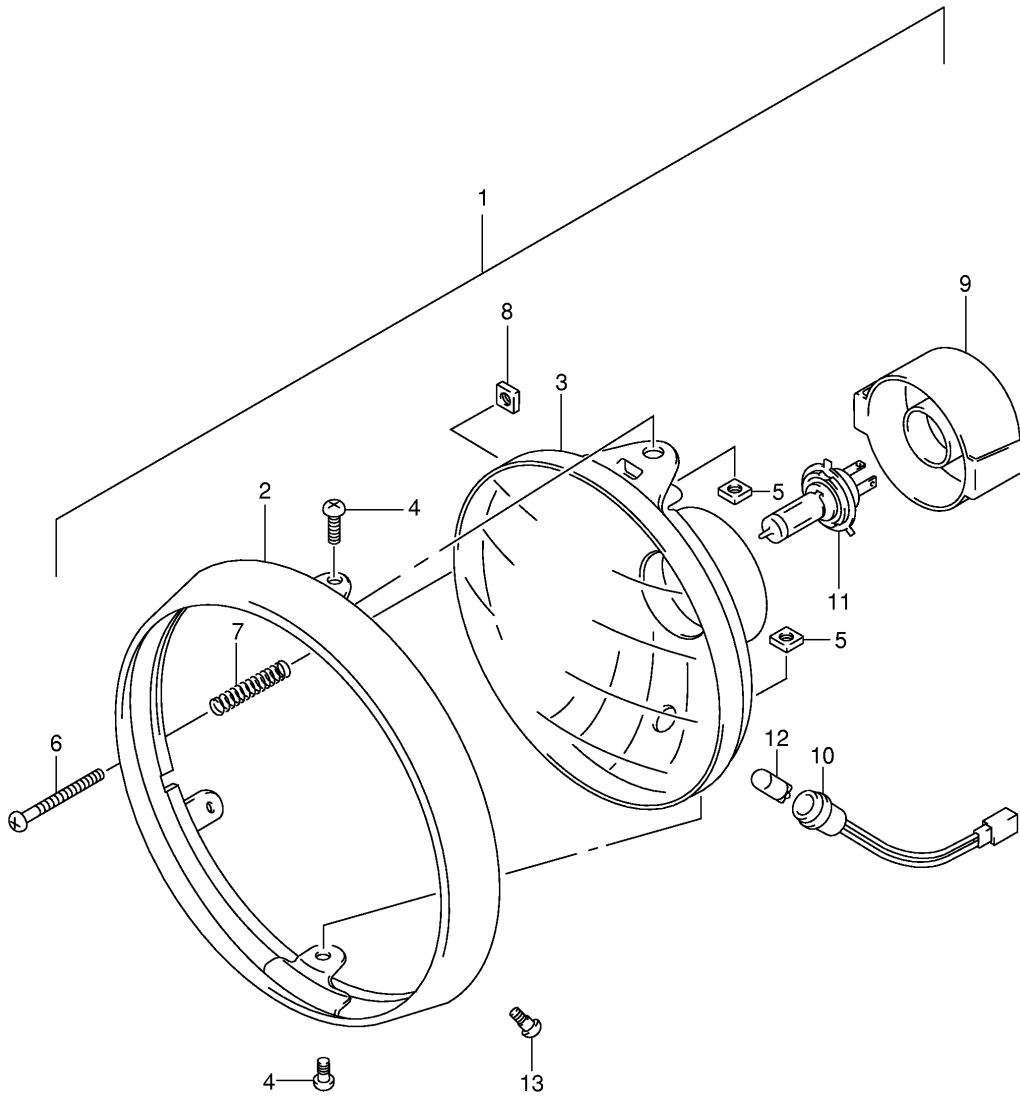


Ref No	Part No	Description
1	34110-20F10	Speedometer (mile)
1	34110-20F00	Speedometer (kilo)
2	34111-19F20	Lower Case
3	34210-20F00	Tachometer
4	34123-33E00	Attachment, Switch
5	34124-33E00	Switch, Gum
6	34147-19F20	Screw, Pan Head (3x18)
7	34149-19F20	Screw, Pan Head (3x20)
8	34150-19F20	Upper Case
9	34152-19F20	Ornament, Speedometer
10	34173-19F20	Cord Assy
11	34176-19F20	Clamp
12	34183-09F00	Screw (3x12)
13	34183-19F20	Screw, Head Tapping (4x16)
14	34188-19F20	Damper
15	34198-19F20	Grommet
16	34211-19F20	Ornament, Tachometer
17	34950-19F20	Bracket
18	36383-19F20	Cover
19	09132-03005	Screw (3x10)
20	09471-12077	Bulb (12v,1.7w,t10)
21	09471-12108	Bulb (12v,1.7w,t6.5)
22	03541-04163	Screw
23	09160-06056	Washer (6.5x18x1)
24	08310-00067	Nut
25	01550-08163	Bolt
26	34938-14F00	Guide, Sensor Lead
27	34990-21E00	Sensor, Speed
28	09286-44001	• . Seal, Sensor Oil
28a	34983-21E00	• . Rotor, Speed
29	09407-03401	Clamp
30	09407-14407	Clamp (l:145)
31	01550-08163	Bolt



Ref No	Part No	Description
1	34119-20F21	Speedometer
1	34119-20F31	Speedometer
2	34123-02F00	Lever
3	34124-02F00	Switch, Gum
4	34130-02F00	Case Assy
5	34150-19F00	Visor
6	34153-02F00	Gasket
7	34172-71E70	Socket
8	34173-19D00	Socket
9	34173-19D70	Socket
10	34183-33DC0	Screw, Speedometer (4x14)
11	34198-02F00	Blind, Cap
12	34198-02F10	Blind
13	09471-12085	Bulb (14v,3w,t7)
14	09471-12100	Bulb (12v,1.7w,t7)
15	09471-12189	Bulb (14v,0.84w,t5)
16	03211-04207	Screw
17	34188-02F00	Cushion
18	34996-43410	Cushion
19	09160-05037	Washer (5.5x16x1.20)
20	08310-00053	Nut
21	34938-14F00	Guide, Sensor Lead
22	34990-21E00	Sensor, Speed
23	09286-44001	• . Seal, Sensor
23a	34983-21E00	• . Rotor, Speed
24	09407-03401	Clamp
25	09407-14407	Clamp (l:145)
26	01550-06123	Bolt

SV650Y E02_025A
SPEEDOMETER

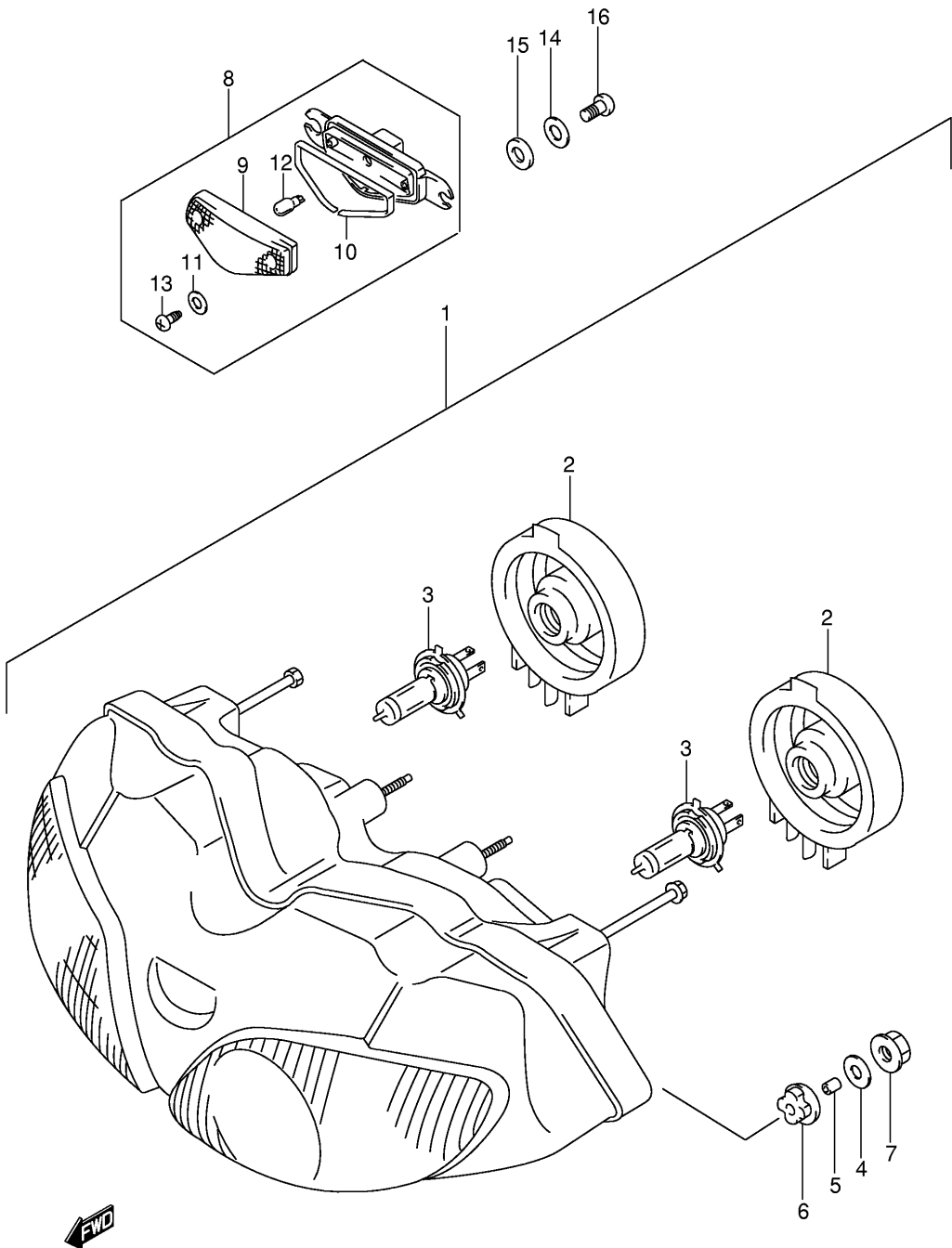


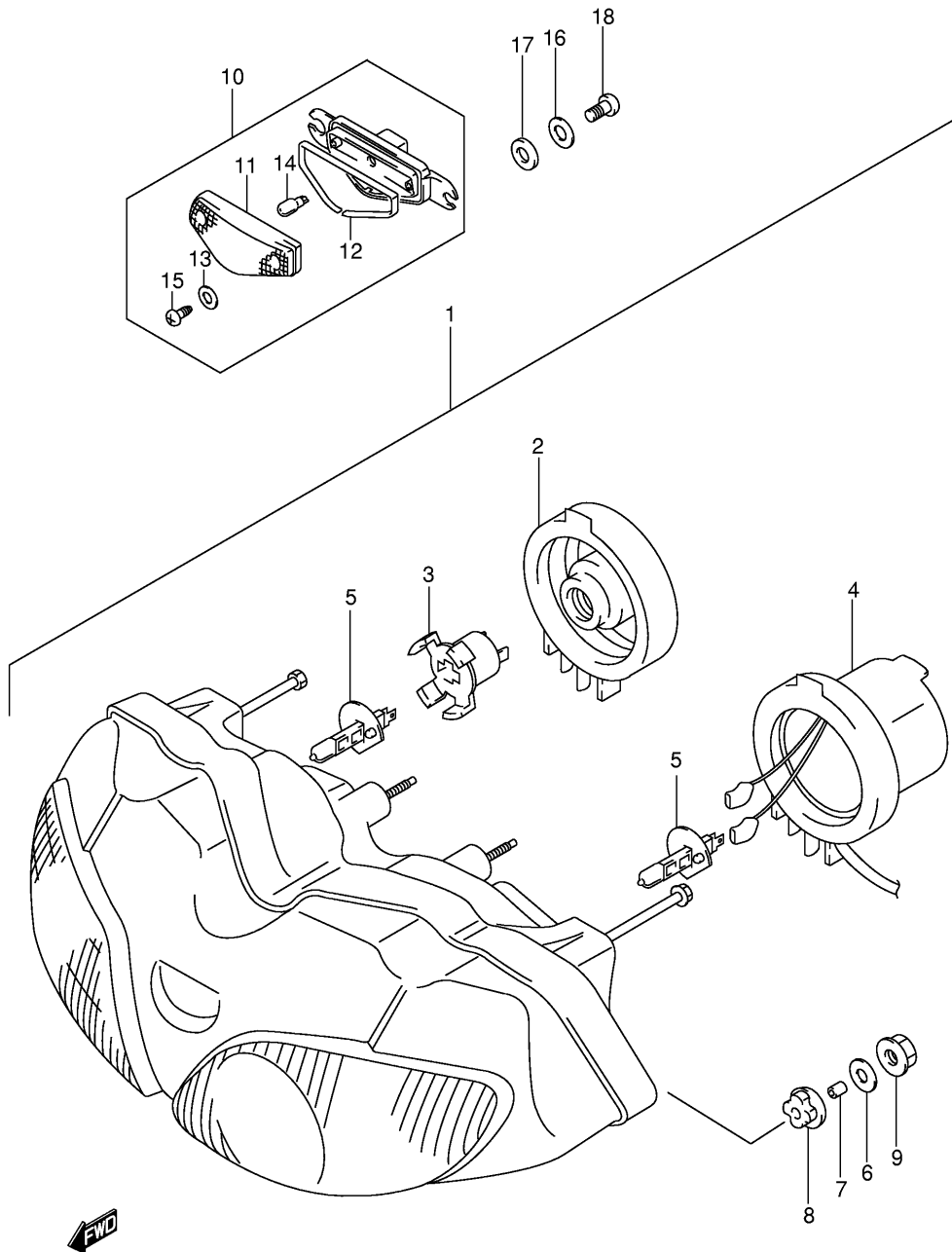
Ref No	Part No	Description
1	35100-19F20-999	Headlamp Assy
1	35100-19F50-999	Headlamp Assy
1	35100-19F00-999	Headlamp Assy
2	35111-19F00	• . Rim
3	35121-19F20	• . Lamp Unit
3	35121-19F50	• . Lamp Unit
3	35121-19F00	• . Lamp Unit
4	35181-19F00	• . Screw (5x16)
5	35135-45900	• . Nut
6	35151-19F00	• . Screw, Adjusting
7	35154-13F00	• . Spring
8	35152-45600	• . Nut
9	35174-19F00	• . Cover, Socket
10	36118-19F50	• . Cord, Position
11	09471-12185	Bulb (12v,60/55w)
12	09471-12081	Bulb (12v,5w)
13	09139-05038	Screw



Ref No	Part No	Description
--------	---------	-------------

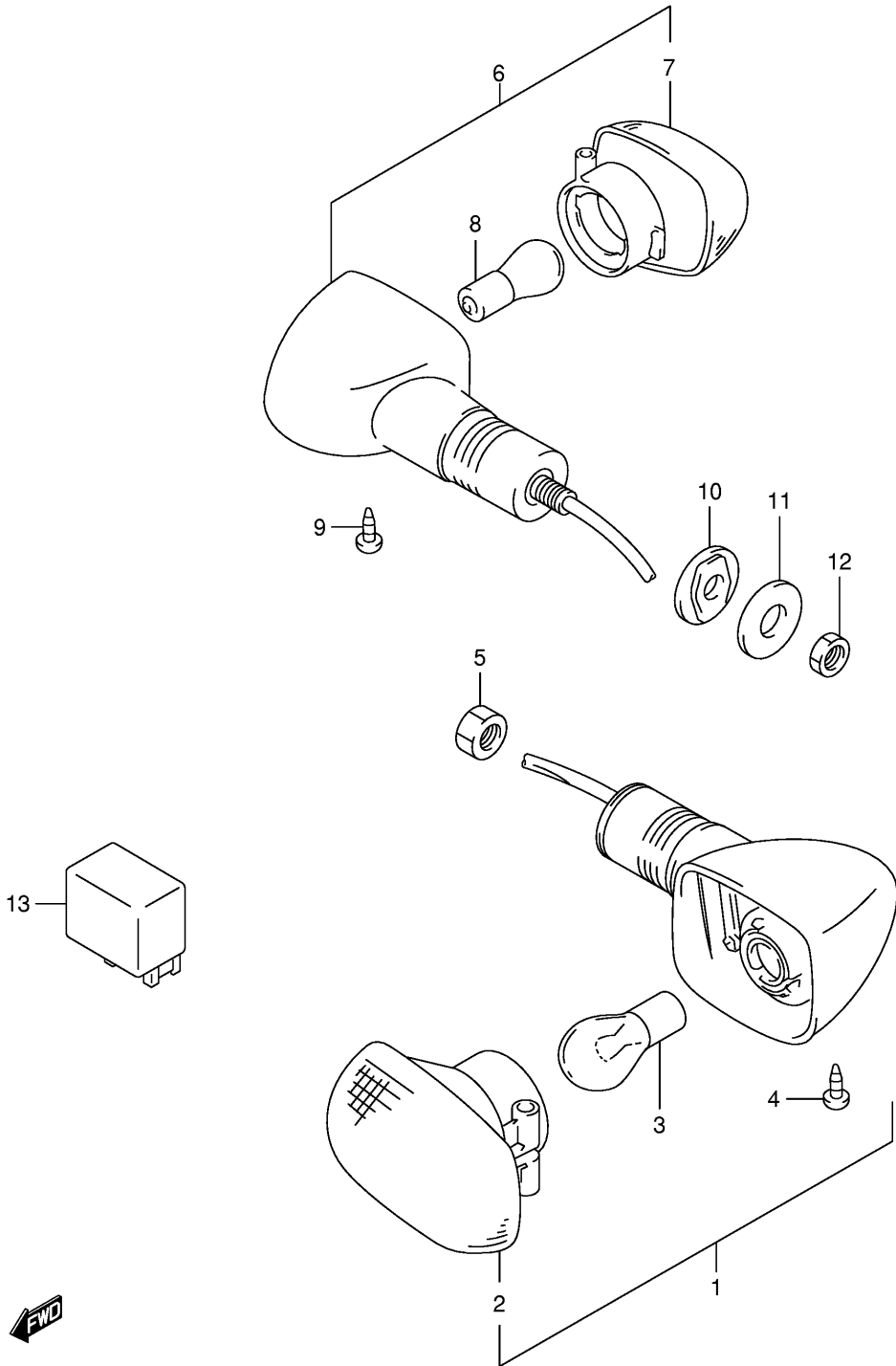
1	35100-20F30-999	Headlamp Assy
2	35125-02F00	• . Cover, Socket
3	09471-12102	Bulb (12v,445/45w)
4	09160-06088	Washer (6.5x20x1.6)
5	09180-06267	Spacer (6.5x9x12.5)
6	09320-09010	Cushion
7	08316-10063	Nut
8	36110-20F00	Lamp Assy, Front Position
9	36112-08F00	• . Lens
10	36113-20F00	• . Gasket
11	35128-37B00	• . Washer
12	09471-12081	• . Bulb (12v,5w)
13	03211-04123	• . Screw
14	09160-05045	Washer (5.5x18x1.0)
15	09320-08001	Cushion
16	03511-05103	Screw



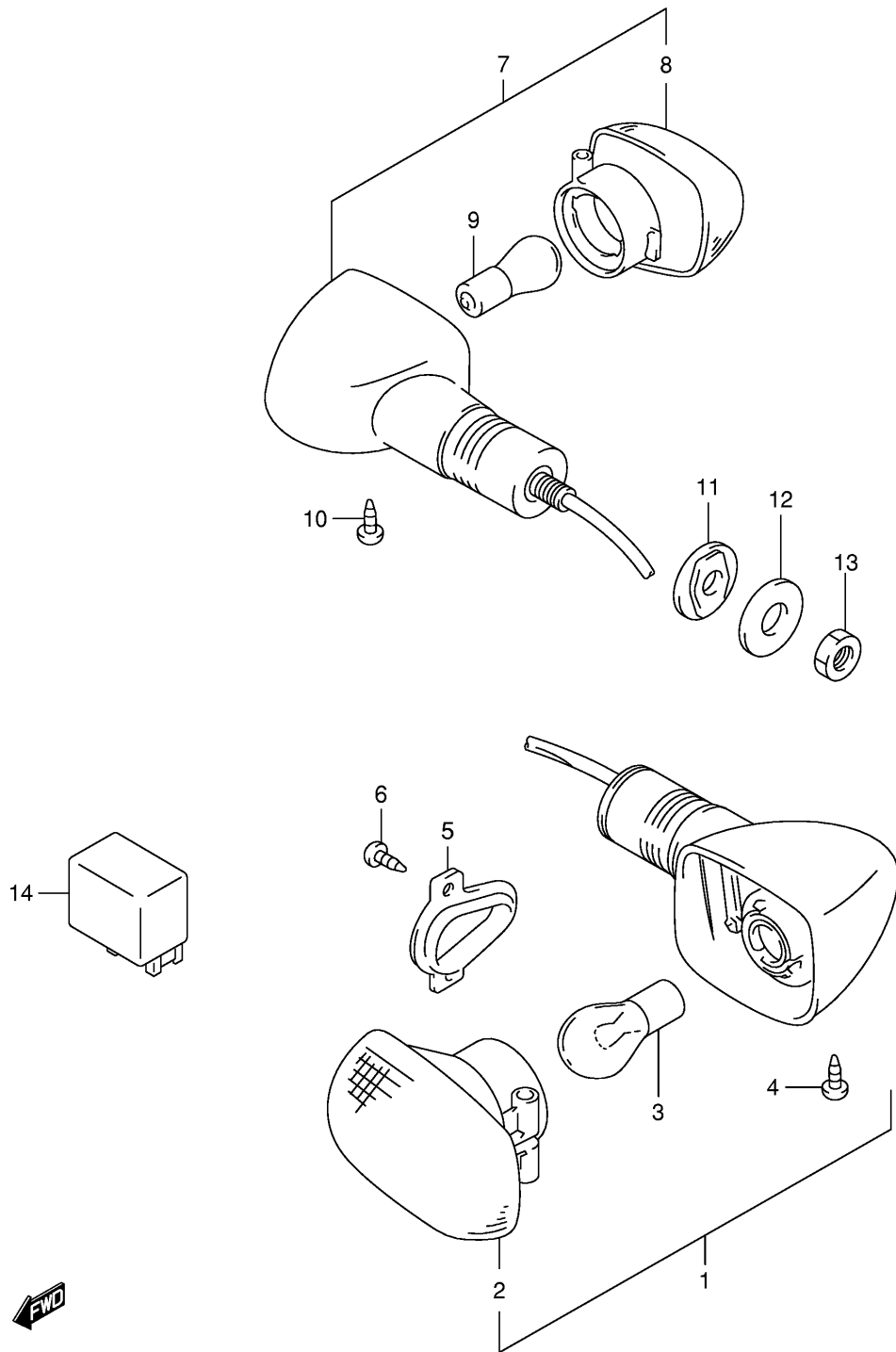


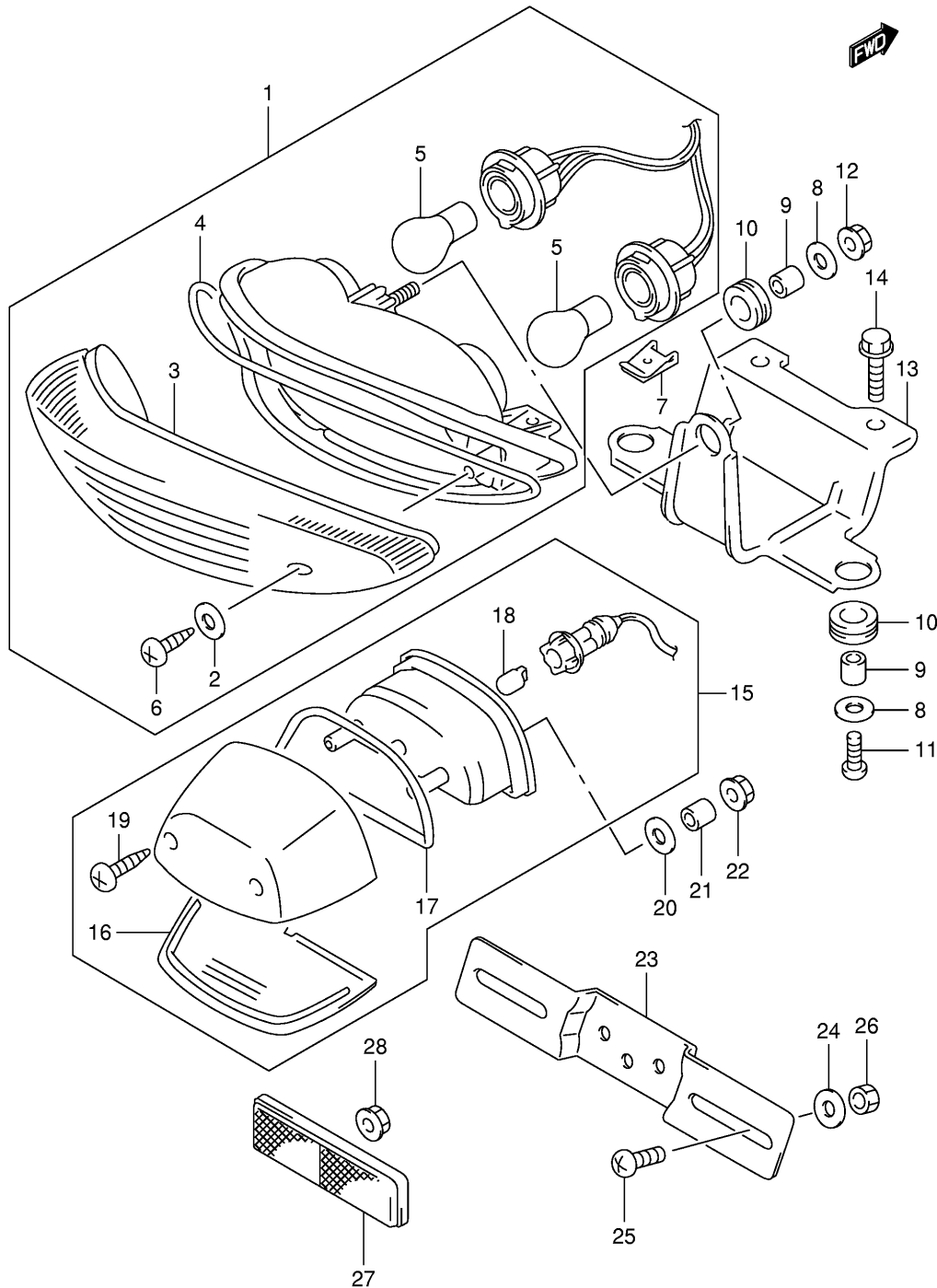
Ref No	Part No	Description
1	35100-20F50-999	Headlamp Assy
2	35125-02F00	• . Cover, Socket
3	35175-18E50	• . Adaptor Assy
4	36118-02F00	• . Cord Assy
5	09471-12122	Bulb (12v,5.5w/h1/p14.5s/osra, Phil)
6	09160-06088	Washer (6.5x20x1.6)
7	09180-06267	Spacer (6.5x9x12.5)
8	09320-09010	Cushion
9	08316-10063	Nut
10	36110-20F00	Lamp Assy, Front Position
11	36112-08F00	• . Lens
12	36113-20F00	• . Gasket
13	35128-37B00	• . Washer
14	09471-12081	• . Bulb (12v,5w)
15	03211-04123	• . Screw
16	09160-05045	Washer (5.5x18x1.0)
17	09320-08001	Cushion
18	03511-05103	Screw

Ref No	Part No	Description
1	35604-33E30	Lamp Assy, Front Turnsignal Rh
1	35601-20F30	Lamp Assy, Front Turnsignal Rh
1	35603-33E30	Lamp Assy, Front Turnsignal Lh
1	35602-20F30	Lamp Assy, Front Turnsignal Lh
2	35610-33E00	. Lamp Unit
3	09471-12045	. Bulb (12v,21w)
4	03242-04123	. Screw
5	08316-10103	Nut
6	35603-33E10	Lamp Assy, Rear Turnsignal Rh
6	35604-33E10	Lamp Assy. Rear Turnsignal Lh
7	35610-33E00	. Lamp Unit
8	09471-12045	. Bulb (12v,21w)
9	03242-04123	. Screw
10	35695-17C00	Spacer, Rear Turnsignal
11	09160-10501	Washer (10.5x30x2.3)
12	08310-00103	Nut
13	38610-03F00	Relay Assy, Turnsignal Lamp

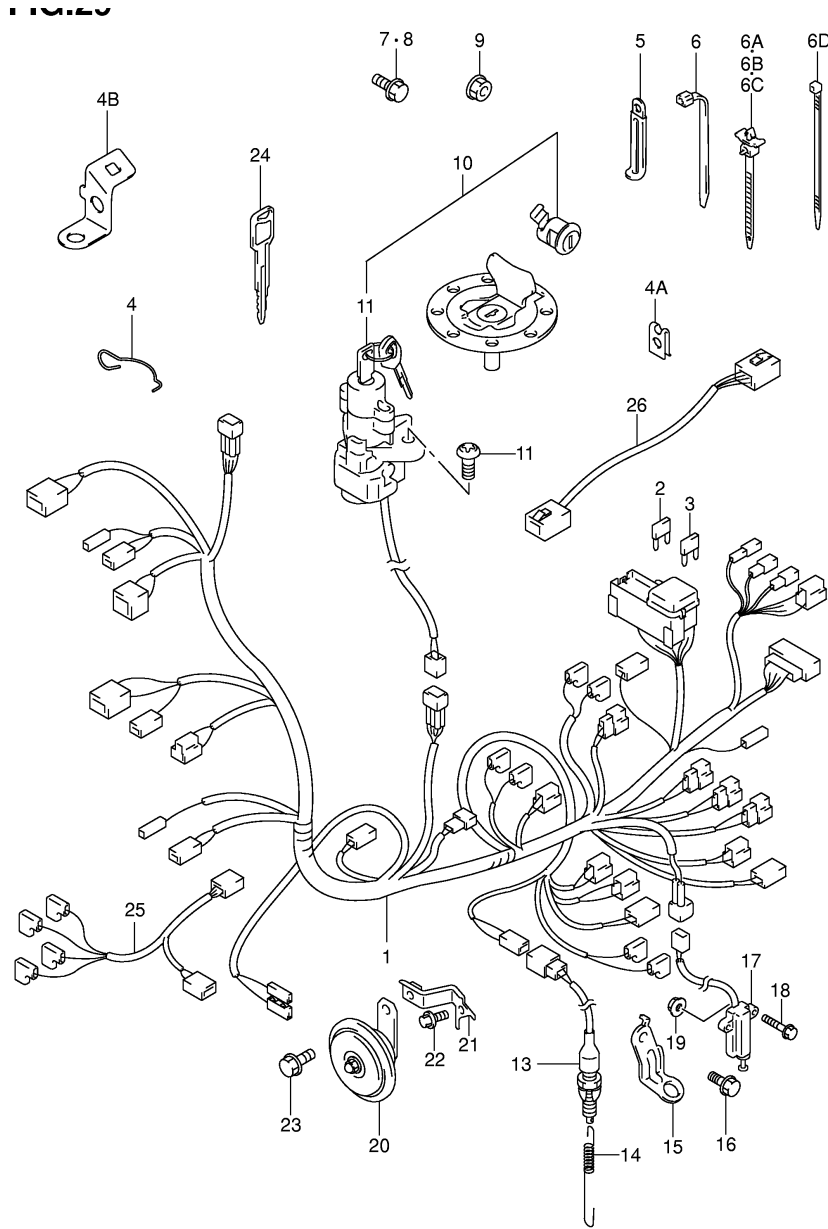


Ref No	Part No	Description
1	35601-33E30	Lamp Assy, Front Turnsignal Rh
1	35602-33E30	Lamp Assy, Front Turnsignal Lh
2	35610-33E00	. . Lamp Unit
3	09471-12045	. . Bulb (12v,21w)
4	03242-04123	. . Screw
5	35629-33E00	Plate, Front Turnsignal Lamp
6	03511-05103	Screw
7	35603-33E10	Lamp Assy, Rear Turnsignal Rh
7	35604-33E10	Lamp Assy, Rear Turnsignal Lh
8	35610-33E00	. . Lamp Unit
9	09471-12045	. . Bulb (12v,21w)
10	03242-04123	. . Screw
11	35695-17C00	Spacer, Rear Turnsignal
12	09160-10501	Washer (10.5x30x2.3)
13	08310-00103	Nut
14	38610-03F00	Relay Assy, Turnsignal Lamp



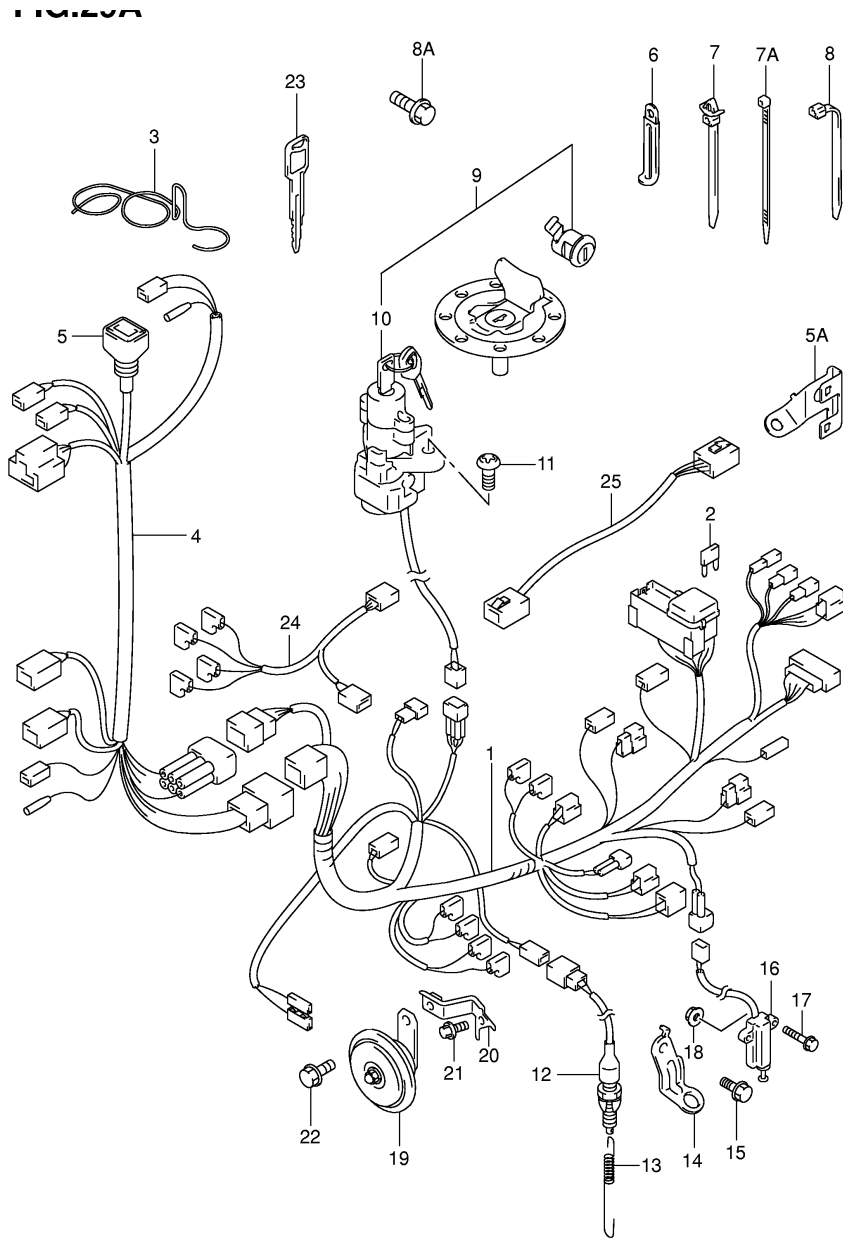


Ref No	Part No	Description
1	35710-02F00	Lamp Assy, Rear Combination
2	35627-43010	. Gasket
3	35712-02F00	. Lens
4	35713-02F00	. Gasket
5	09471-12083	. Bulb (12v,21/5w)
6	03211-04207	. Screw
7	09148-05020	Nut
8	09160-06088	Washer (6.5x20x1.6)
9	09180-06285	Spacer (6.5x10x9)
10	09320-09009	Cushion
11	03541-05203	Screw
12	08316-10063	Nut
13	35726-19F00	Bracket, Rear Combination
14	01550-06123	Bolt
15	35910-02F00	Lamp Assy, License
16	35912-02F00	. Lens
17	35913-02F00	. Gasket
18	09471-12081	. Bulb (12v,5w)
19	03211-04163	. Screw
20	09160-06088	Washer (6.5x20x1.6)
21	09180-05054	Spacer (5.5x9.5x11.5)
22	08316-10053	Nut
23	35927-00A10	Bracket, License Plate
24	09160-06088	Washer (6.5x20x1.6)
25	02142-06123	Screw
26	08316-10063	Nut
27	35970-07F00	Reflector Assy, Rear
28	08316-10053	Nut



Ref No	Part No	Description
1	36610-20F10	Harness, Wiring No.1
2	09481-10501	• . Fuse (10a)
3	09481-15501	• . Fuse (15a)
4	36619-20F00	Guide, Wiring Harness
5	09404-06432	Clamp (l:80)
5	09404-06434	Clamp (l:95)
5	09404-06435	Clamp (l:135)
5	09404-08207	Clamp (l:97)
6	09407-14403	Clamp (l:125)
6	09407-18402	Clamp (l:165)
6a	09407-11402	Clamp (l:90)
6b	09407-14408	Clamp (l:120)
6c	09407-17401	Clamp (l:150)
6d	09407-14407	Clamp (l:140)
7	01550-06123	Bolt, Wiring Harness
8	01550-08253	Bolt, Wiring Harness
9	08316-10083	Nut, Wiring Harness
10	37101-19830	Lock Set
10	37101-19820	Lock Set
11	37100-19F00	• . Lock Assy, Steering
11	37100-19F10	• . Lock Assy, Steering
12	09139-08016	Bolt (8x20)
13	37740-31D00	Switch Assy, Stop Lamp
14	09443-06005	Spring
15	43251-19F10	Bracket, Stop Lamp Switch
16	01550-06123	Bolt
17	37840-19F00	Switch Assy, Side Stand
18	37849-19F00	Bolt, Side Stand
18	09103-06248	Bolt, Side Stand
19	08316-10063	Nut
20	38500-02F60	Horn Assy
20	38500-19F00	Horn Assy
21	38590-19F00	Bracket, Horn
22	01550-06123	Bolt
23	01550-08123	Bolt
24	37146-33E00	Key, Blank
25	36855-19F00	Wire, Carb Heater
26	36854-19F00	Wire, Starter Control

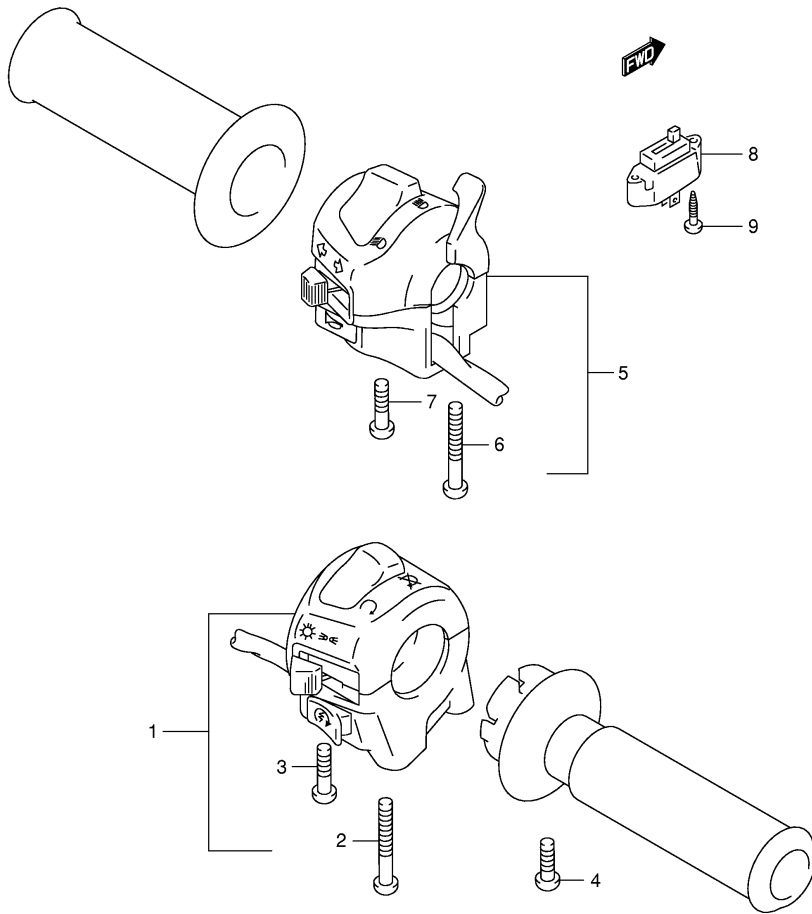
SV650Y E02_029
WIRING HARNESS



Ref No	Part No	Description
1	36610-19F00	Harness, Wiring No.1
2	09481-10501	• . Fuse (10a)
2	09481-15501	• . Fuse (15a)
3	36619-33E00	Guide, Wiring Harness
4	36620-19F10	Harness, Wiring No.2
4	36620-19F20	Harness, Wiring No.2
5	36618-33E00	• . Cover, Speedometer Coupler
5a	36687-19F00	Holder, Coupler
6	09404-06432	Clamp (l:80)
6	09404-06434	Clamp (l:95)
6	09404-06435	Clamp (l:135)
7	09407-11402	Clamp (l:90)
7	09407-14408	Clamp (l:120)
7	09407-17401	Clamp (l:150)
7a	09407-14407	Clamp (l:145)
8	09407-14403	Clamp (l:125)
8	09407-18402	Clamp (l:165)
8a	01550-06123	Bolt, Wiring Harness
9	37101-19830	Lock Set
9	37101-19820	Lock Set
10	37100-19F00	• . Lock Assy, Steering
10	37100-19F10	• . Lock Assy, Steering
11	09139-08016	Bolt (8x20)
12	37740-31D00	Switch Assy, Stop Lamp
13	09443-06005	Spring
14	43251-19F00	Bracket, Stop Lamp Switch
15	01550-06123	Bolt
16	37840-19F00	Switch Assy, Side Stand
17	37849-19F00	Bolt, Side Stand
17	09103-06248	Bolt,side Stand
18	08316-10063	Nut
19	38500-02F60	Horn Assy
19	38500-19F00	Horn Assy
20	38590-19F00	Bracket, Horn
21	01550-06123	Bolt
22	01550-08123	Bolt
23	37146-33E00	Key,blank
24	36855-19F00	Wire, Carb Heater
25	36854-19F00	Wire, Starter Control

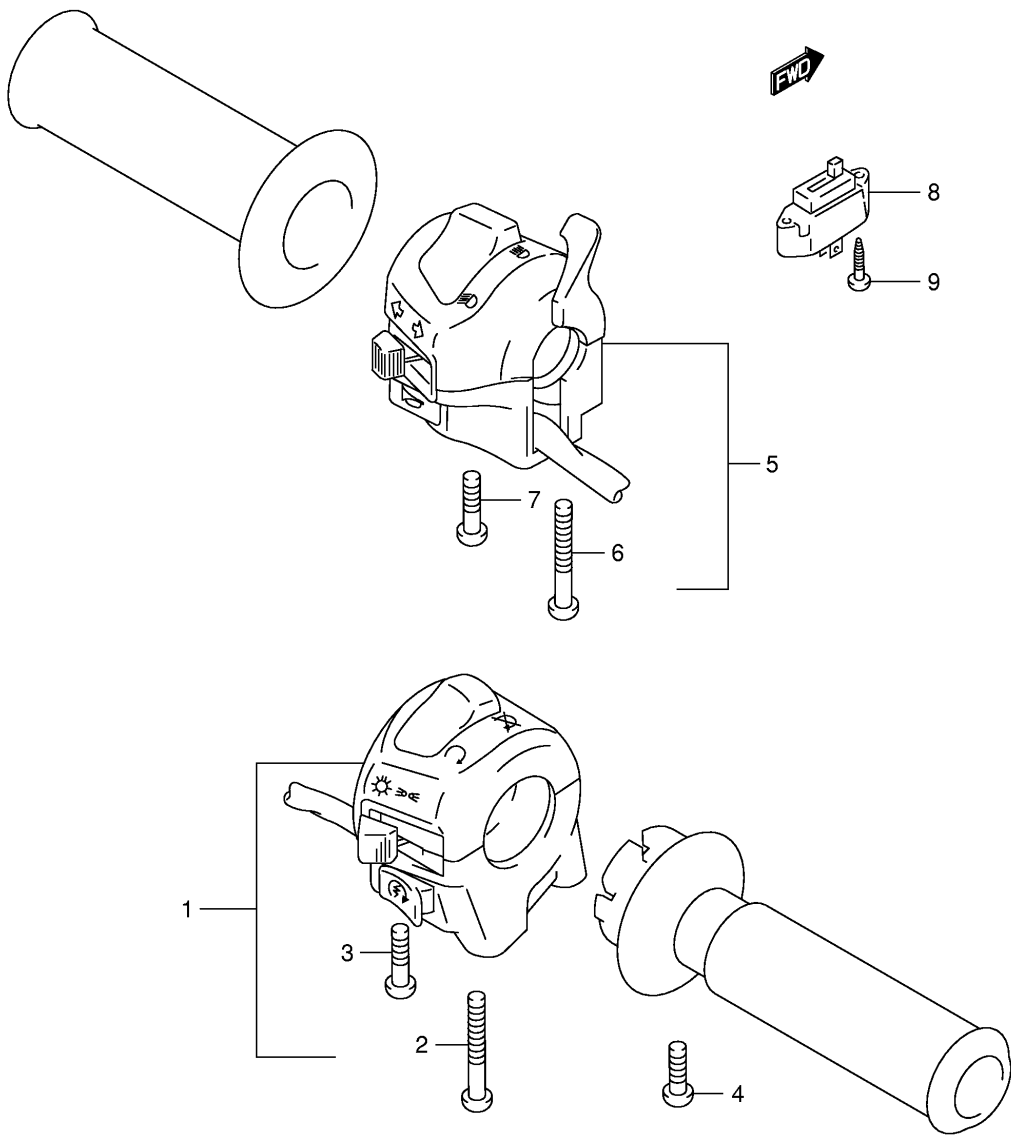
SV650Y E02_029A
WIRING HARNESS

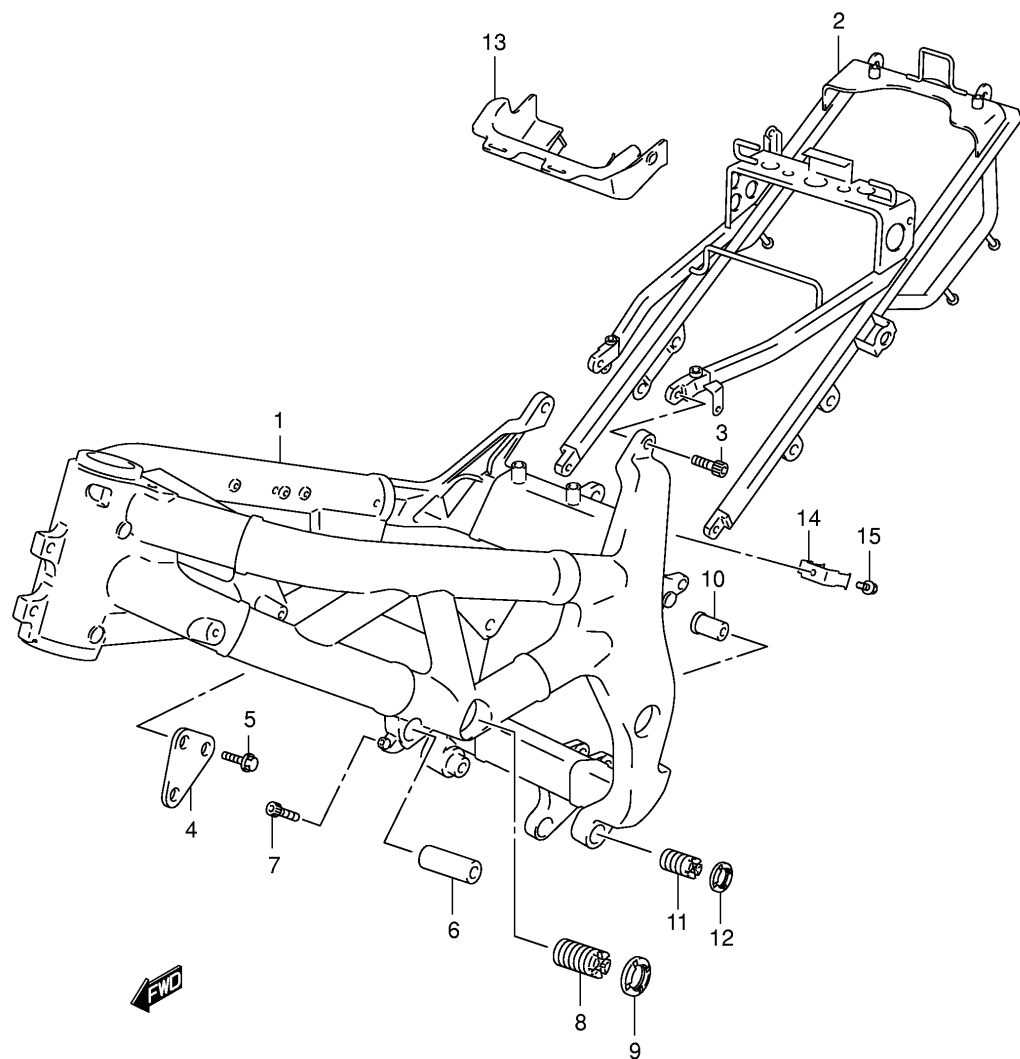
Ref No	Part No	Description
1	37200-27E11	Switch Assy, Handle Rh
1	37200-27E31	Switch Assy, Handle Rh
2	02112-05505	• . Screw
3	02112-05305	• . Screw
4	02112-05103	Screw
5	37400-23E10	Switch Assy, Handle Lh
6	02112-05455	• . Screw
7	09125-05066	• . Screw (5x25)
8	37560-38A00	Switch Assy, Clutch
9	37564-26E00	Screw



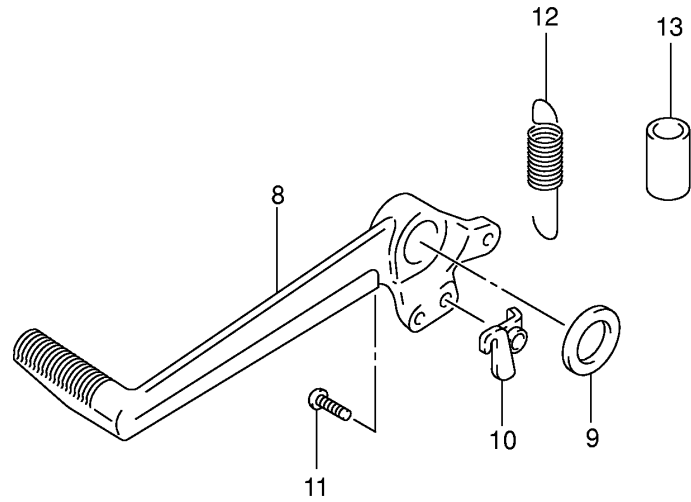
SV650Y E02_030
 HANDLE SWITCH

Ref No	Part No	Description
1	37200-33E11	Switch Assy, Handle Rh
1	37200-33E31	Switch Assy, Handle Rh
2	02112-05505	. Screw
3	02112-05305	. Screw
4	02112-05103	Screw
5	37400-26E11	Switch Assy, Handle Lh
6	02112-05455	. Screw
7	09125-05066	. Screw (5x25)
8	37560-38A00	Switch Assy, Clutch
9	37564-26E00	Screw

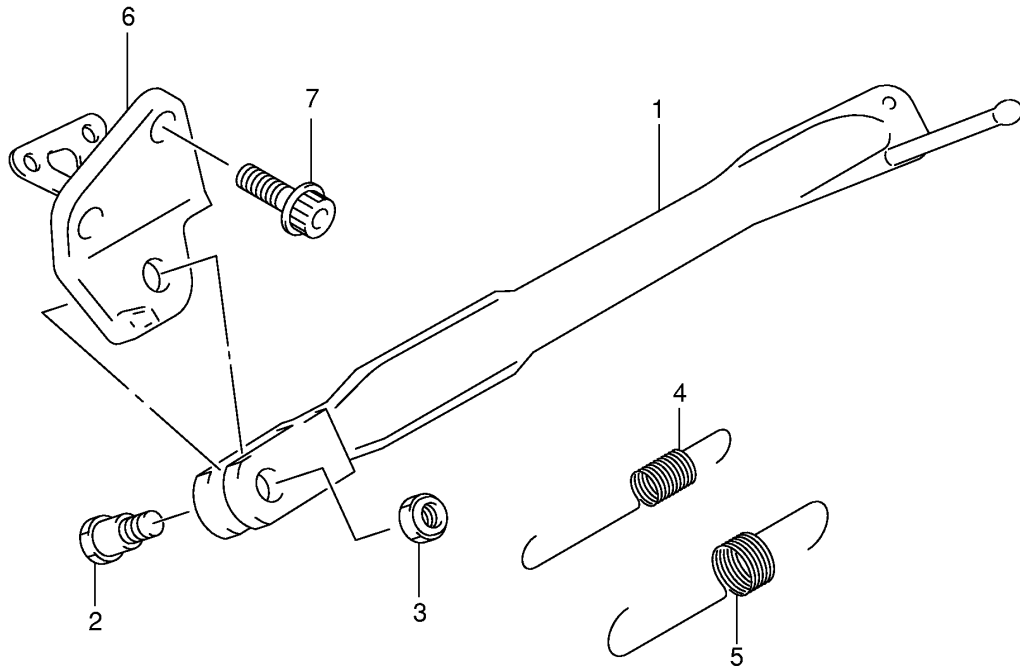


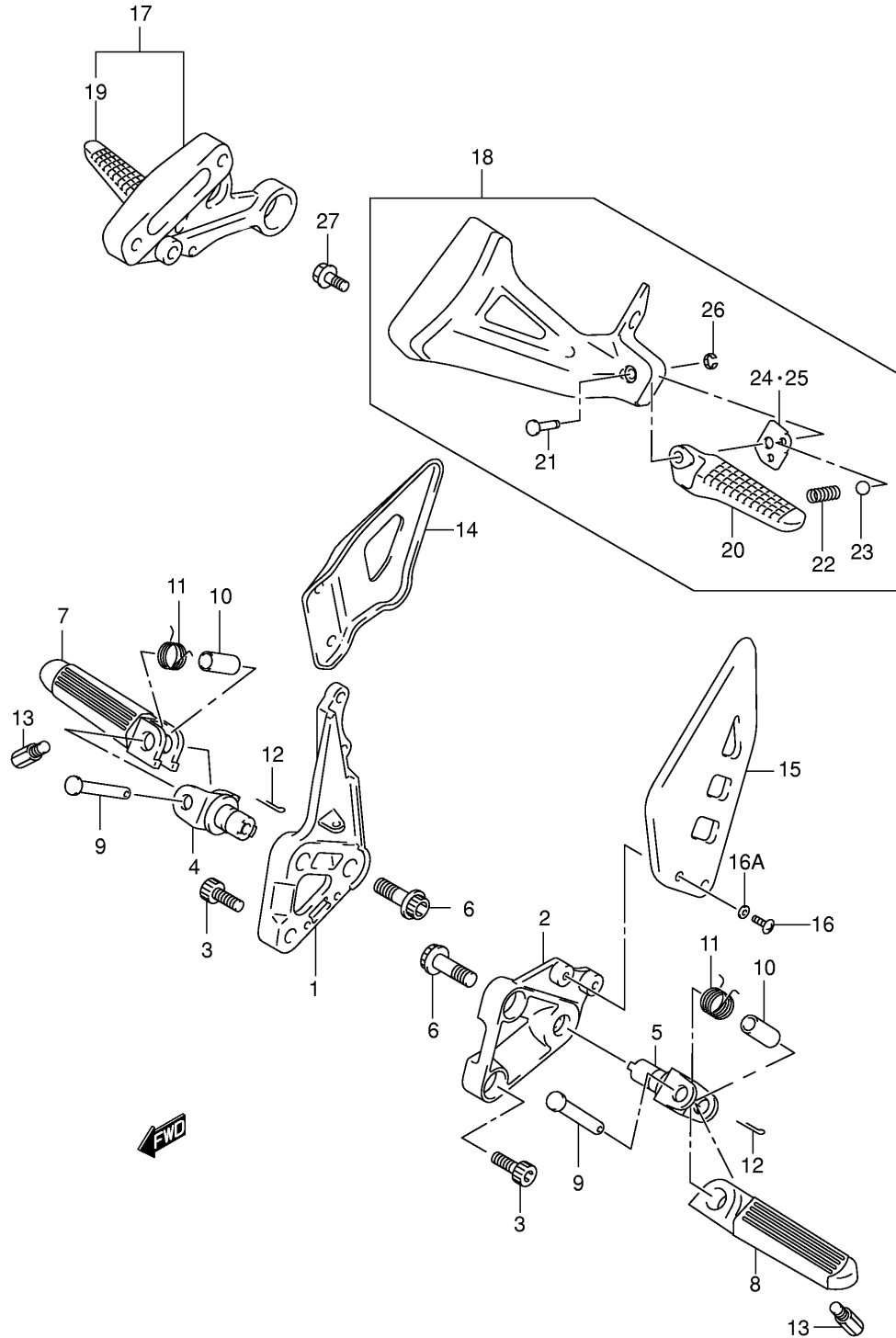


Ref No	Part No	Description
1	41100-19F02-13L	Frame (silver)
2	41200-19F01	Rail, Seat
3	07130-10303	Bolt
4	41991-19F00	Plate, Mount Front Rh
5	01550-08203	Bolt
6	41198-19F00	Spacer, Head Mount
7	07130-08307	Bolt
8	41921-19F00	Bolt, Crankcase Adjust
9	41922-19F00	Nut, Crankcase Adjust
10	41941-19F00	Spacer, Crankcase Rear Upper
11	41921-33E11	Bolt, Crankcase Adjust
12	41922-33E00	Nut, Crankcase Adjust
13	47411-19F01	Holder, Electric Part
14	47413-19F00	Plate, Relay
15	01550-06123	Bolt

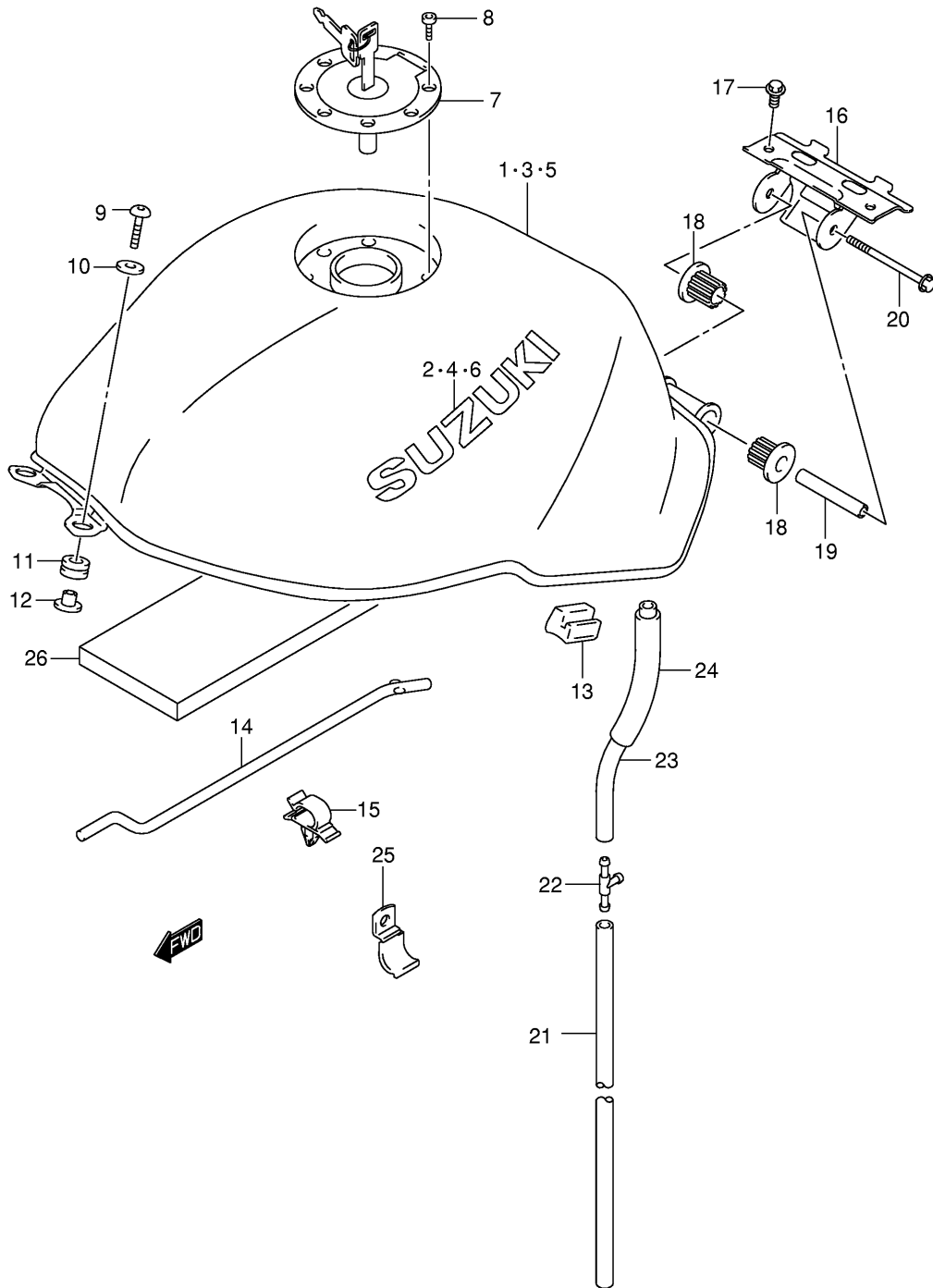


Ref No	Part No	Description
1	42310-19F00	Stand, Prop
2	09111-10027	Bolt
3	08319-21103	Nut
4	09443-14066	Spring, Inner
5	09443-19012	Spring, Outer
6	42330-19F01	Bracket, Prop Stand
7	07120-10303	Bolt
8	43111-33E00	Pedal, Brake
9	09160-18022	Washer (18x24x1)
10	43561-33E00	Hook, Return Spring
11	02112-05163	Screw
12	09443-13029	Spring
13	43261-17C00	Tube, Spring Guide

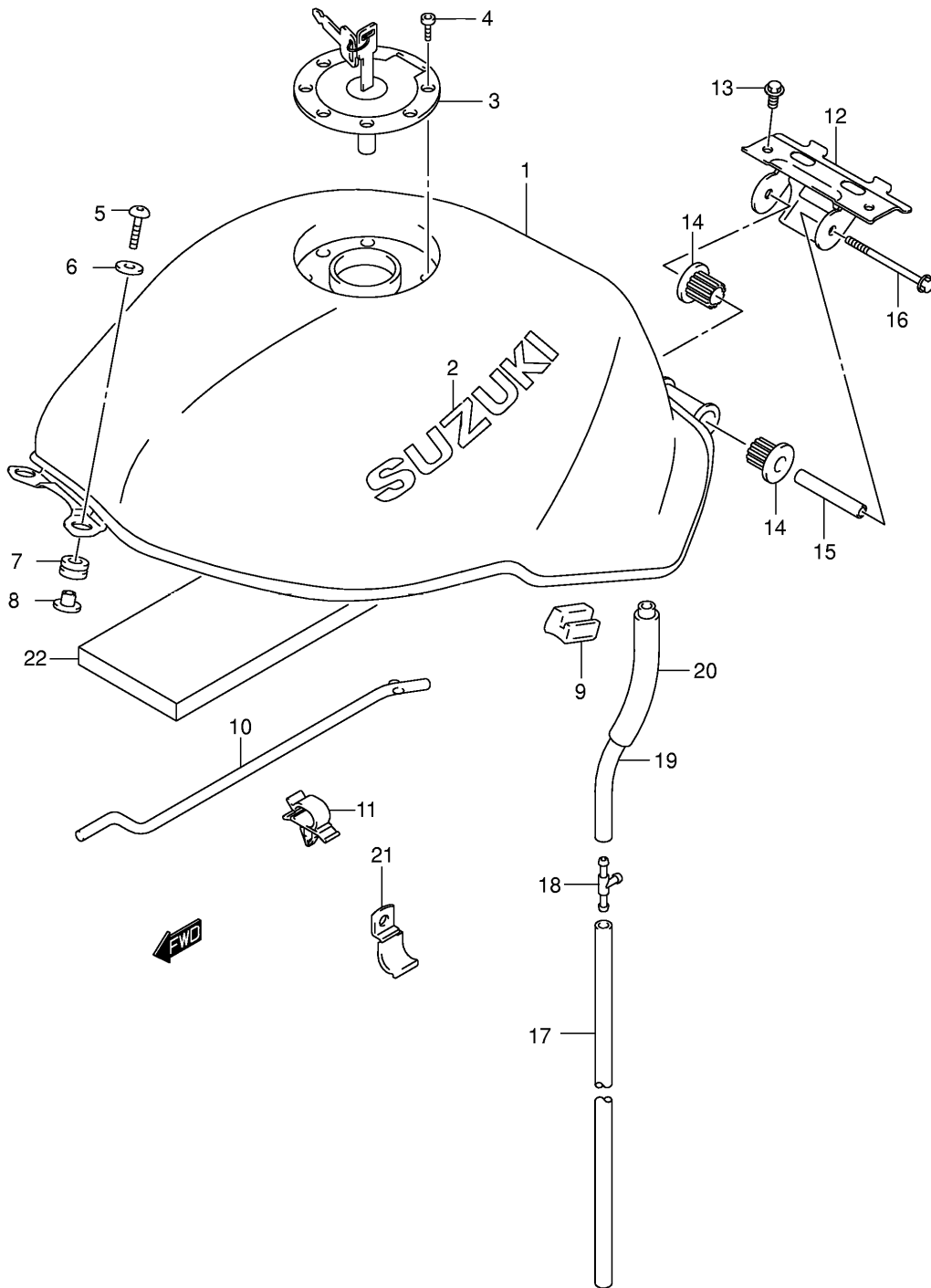




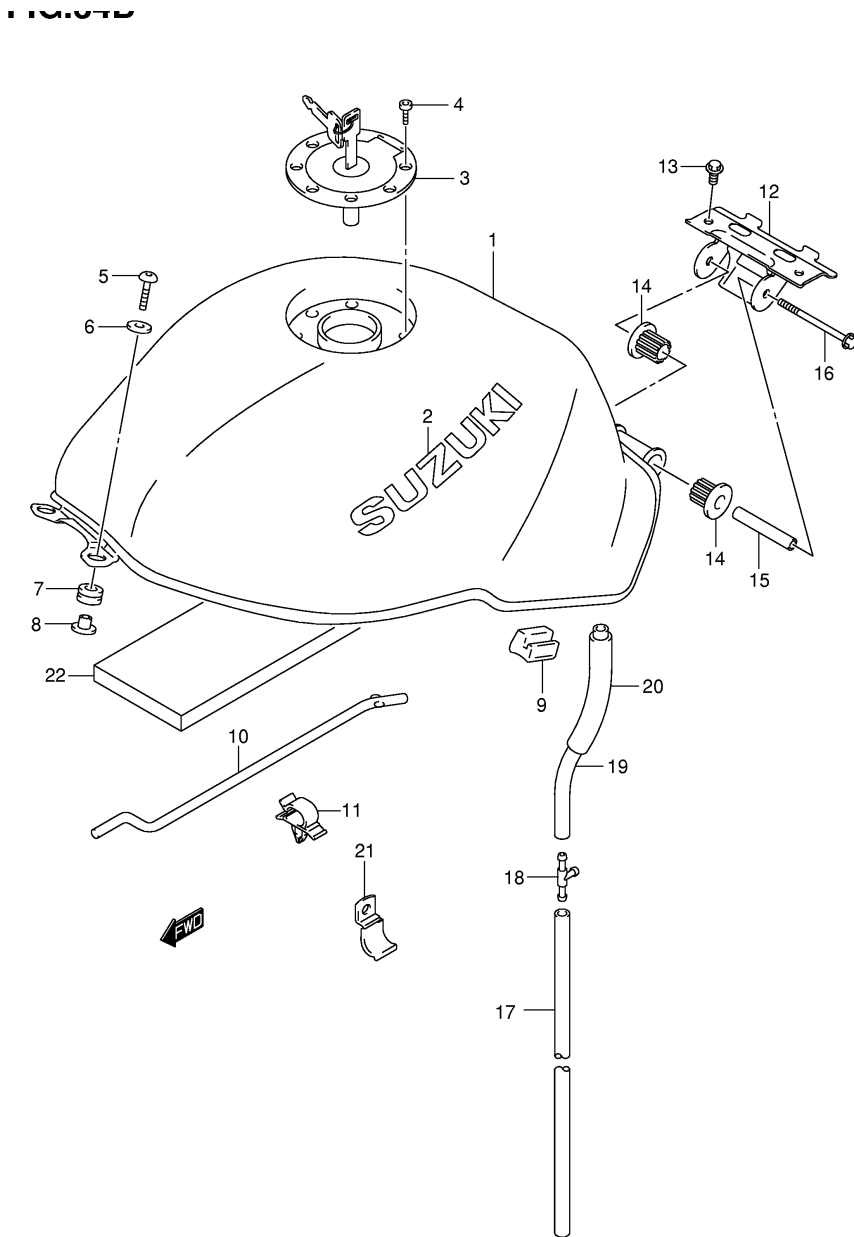
Ref No	Part No	Description
1	43511-33E10	Bracket, Front Footrest Rh
2	43521-33E00	Bracket, Front Footrest Lh
3	07130-08203	Bolt
4	43530-17E01	Holder, Footrest Rh
5	43540-17E00	Holder, Footrest Lh
6	09106-10064	Bolt
7	43510-02F11	Bar, Footrest Rh
8	43520-02F11	Bar, Footrest Lh
9	09200-08057	Pin
10	09180-08149	Spacer (8.1x12x22)
11	09448-18022	Spring
12	04111-25158	Cotter Pin
13	43576-07D01	Bolt, Bank Sensor
14	43571-33E01	Guard, Front Footrest Rh
15	43576-19F00	Guard, Front Footrest Lh
16	09139-05054	Screw (5x16)
16a	09161-08018	Washer
17	43600-19F00	Footrest Assy, Pillion Rh
18	43700-19F00	Footrest Assy, Pillion Lh
19	43611-33E10	. . Bar, Pillion Footrest Rh
20	43621-33E10	. . Bar, Pillion Footrest Lh
21	09208-06007	. . Pin
22	09440-05005	. . Spring
23	06111-07004	. . Ball
24	43816-33E21	. . Plate, Pillion Rh
25	43826-33E21	. . Plate, Pillion Lh
26	08332-11043	. . E Ring
27	01550-08163	Bolt



Ref No	Part No	Description
1	44100-19F00-Y7E	Tank Assy, Fuel (blue)
1	44100-19F00-Y7L	Tank Assy, Fuel (black)
1	44100-19F00-Y7M	Tank Assy, Fuel (red)
1	44100-19F00-Y9F	Tank Assy, Fuel (yellow)
2	68111-42E00-20G	• Emblem, Fuel Tank (gray)
2	68111-42E00-1ZY	• Emblem, Fuel Tank (gray)
7	44200-33870	Cap Set, Fuel Tank
8	09106-05017	Bolt (l:20)
9	09139-06029	Screw (6x25)
10	09160-06054	Washer (6.5x22x1.6)
11	44511-19F00	Cushion, Front
12	44512-19F00	Spacer, Front
13	44559-19F00	Cushion, Fuel Tank Side
14	44574-33E01	Stay, Fuel Tank
15	09403-05310	Clamp
16	44550-19F10	Bracket, Fuel Tank Rear
17	01550-08163	Bolt
18	44541-02F00	Cushion, Fuel Tank Rear
19	44561-19F00	Spacer, Fuel Tank Rear
20	01550-08853	Bolt
21	09352-70103-600	Hose, No.2 (l:600->80)
22	09367-08004	Joint, 3 Way
23	09352-70103-600	Hose, No.1 (l:600->60)
24	09351-14152-600	Protector (l:600->40)
25	44339-19F00	Clamp, Drain Hose
26	44194-19F00	Shield, Tank Front



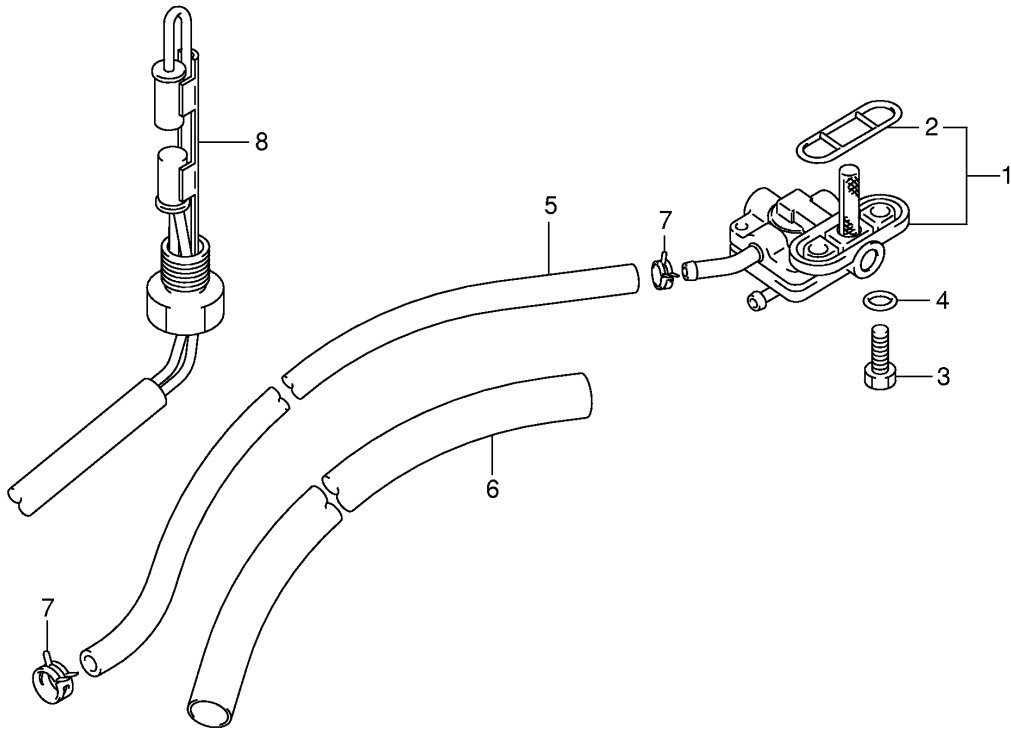
Ref No	Part No	Description
1	44100-19F40-19A	Tank Assy, Fuel (red)
1	44100-19F40-Y7L	Tank Assy, Fuel (black)
1	44100-19F40-Y9H	Tank Assy, Fuel (yellow)
1	44100-19F40-YC2	Tank Assy, Fuel (blue)
2	68111-12C00-YD8	. Emblem (silver)
2	68111-12C00-1ZY	. Emblem (gray)
2	68111-12C00-20G	. Emblem (gray)
3	44200-33870	Cap Set, Fuel Tank
4	09106-05017	Bolt (I:20)
5	09139-06029	Screw (6x25)
6	09160-06054	Washer (6.5x22x1.6)
7	44511-19F00	Cushion, Front
8	44512-19F00	Spacer, Front
9	44559-19F00	Cushion, Fuel Tank Side
10	44574-33E01	Stay, Fuel Tank
11	09403-05310	Clamp
12	44550-19F10	Bracket, Fuel Tank Rear
13	01550-08163	Bolt
14	44541-02F00	Cushion, Fuel Tank Rear
15	44561-19F00	Spaceer, Fuel Tank Rear
16	01550-08853	Bolt
17	09352-70103-600	Hose, No.2 (I:600->80)
18	09367-08004	Joint, 3 Way
19	44423-19F00	Hose, No.1
20	09351-14152-600	Protector (I:600->40)
21	44339-19F00	Clamp, Drain Hose
22	44194-19F00	Shield, Tank Front



Ref No	Part No	Description
1	44100-20F00-Y7L	Tank Assy, Fuel (black)
1	44100-20F00-Y9H	Tank Assy, Fuel (yellow)
1	44100-20F00-YC2	Tank Assy, Fuel (blue)
1	44100-20F00-YD8	Tank Assy, Fuel (silver)
2	68111-42E20-1ZY	• . Emblem (gray)
2	68111-42E20-20G	• . Emblem (gray)
3	44200-33870	Cap Set, Fuel Tank
4	09106-05017	Bolt (I:20)
5	09139-06029	Screw (6x25)
6	09160-06054	Washer (6.5x22x1.6)
7	44511-19F00	Cushion, Front
8	44512-19F00	Spacer, Front
9	44559-19F00	Cushion, Fuel Tank Side
10	44574-33E01	Stay, Fuel Tank
11	09403-05310	Clamp
12	44550-19F10	Bracket, Fuel Tank Rear
13	01550-08163	Bolt
14	44541-02F00	Cushion, Fuel Tank Rear
15	44561-19F00	Spacer, Fuel Tank Rear
16	01550-08853	Bolt
17	09352-70103-600	Hose, No.2 (l:600->80)
18	09367-08004	Joint, 3 Way
19	44423-19F00	Hose, No.1
20	09351-14152-600	Protector (l:600->40)
21	44339-19F00	Clamp, Drain Hose
22	44194-19F00	Shield, Tank Front

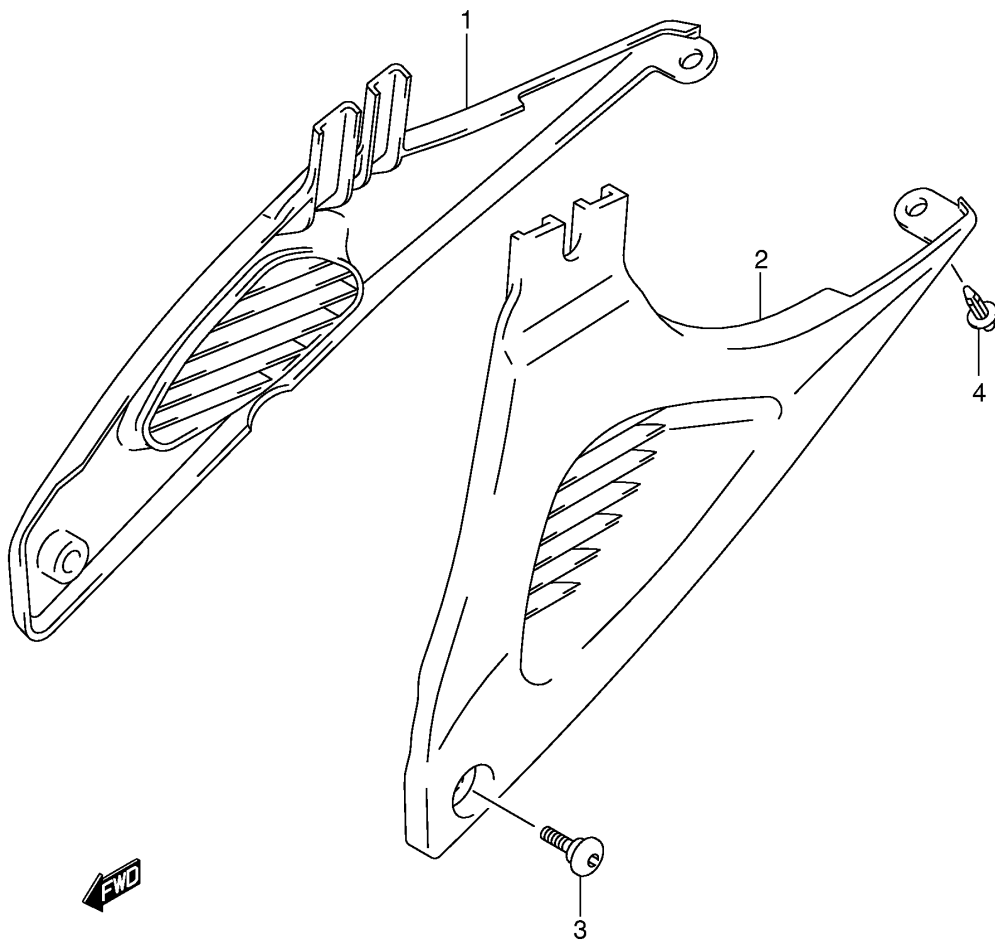
SV650Y E02_034B
FUEL TANK

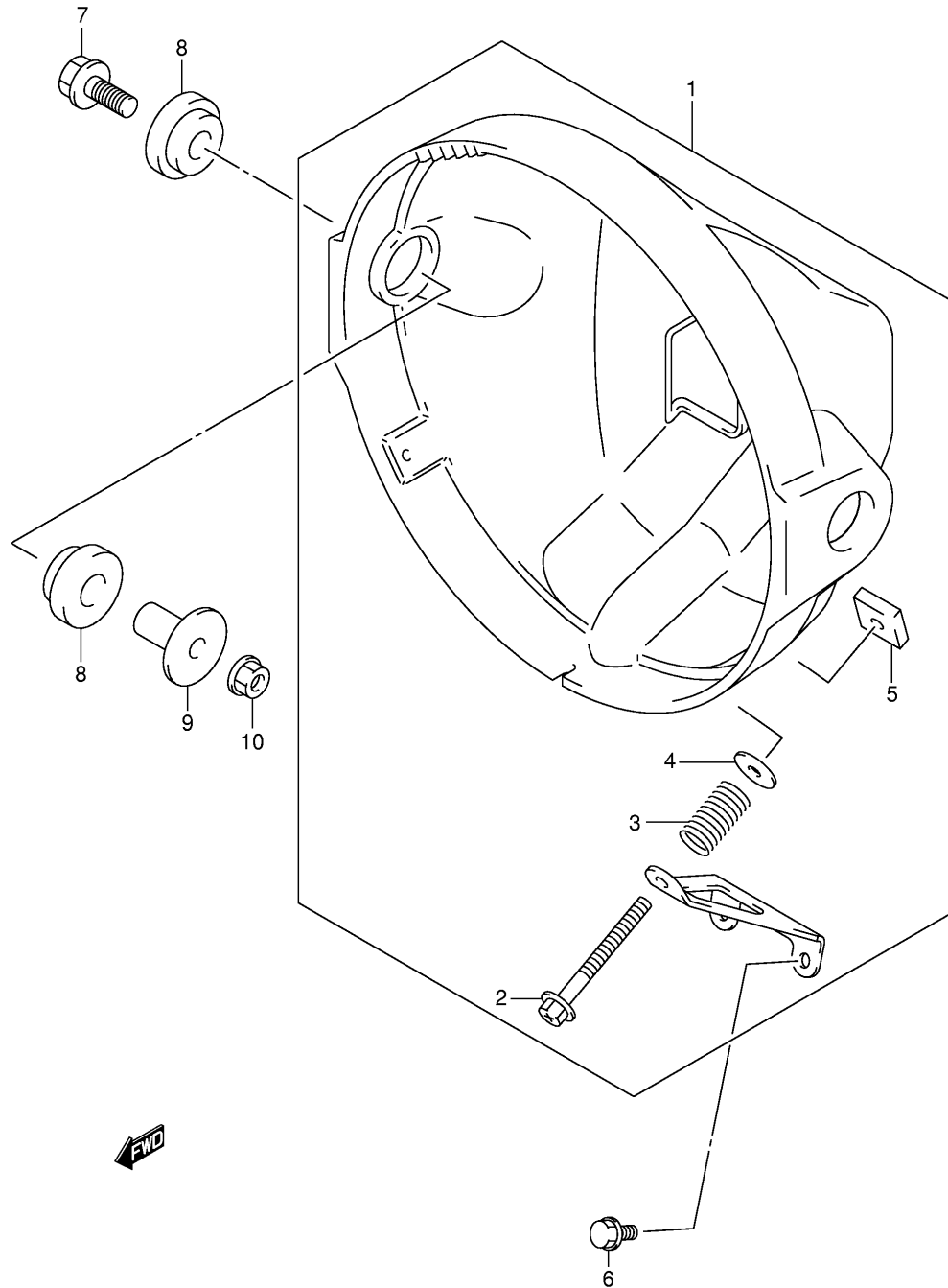
Ref No	Part No	Description
1	44300-19F00	Cock Assy, Fuel
2	44351-33E00	• O Ring, Joint
3	09128-06057	Bolt
4	09168-06026	Gasket (6.4x11.5x0.8)
5	09355-50105-600	Hose, Fuel (l:600->40)
6	09351-14152-600	Protector (l:600->80)
7	09401-09403	Clip
8	34810-19F11	Gauge Assy, Fuel Level



Ref No	Part No	Description
--------	---------	-------------

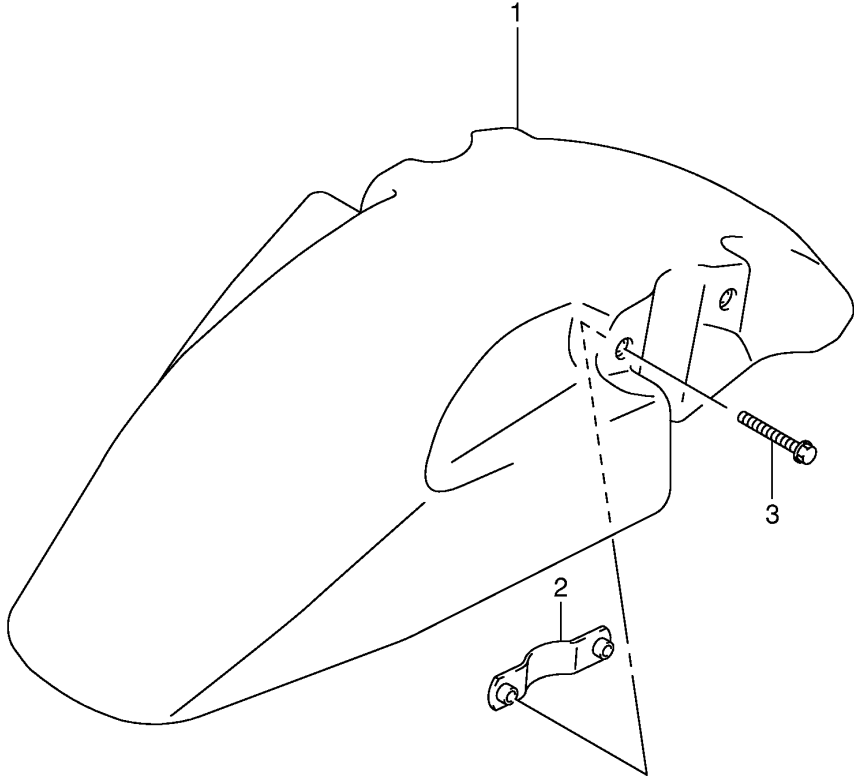
- | | | |
|---|-----------------|-----------------|
| 1 | 47111-19F00 | Cover, Frame Rh |
| 2 | 47211-19F00 | Cover, Frame Lh |
| 3 | 09139-05054 | Screw (m5x16) |
| 4 | 09409-06314-5PK | Clip (black) |

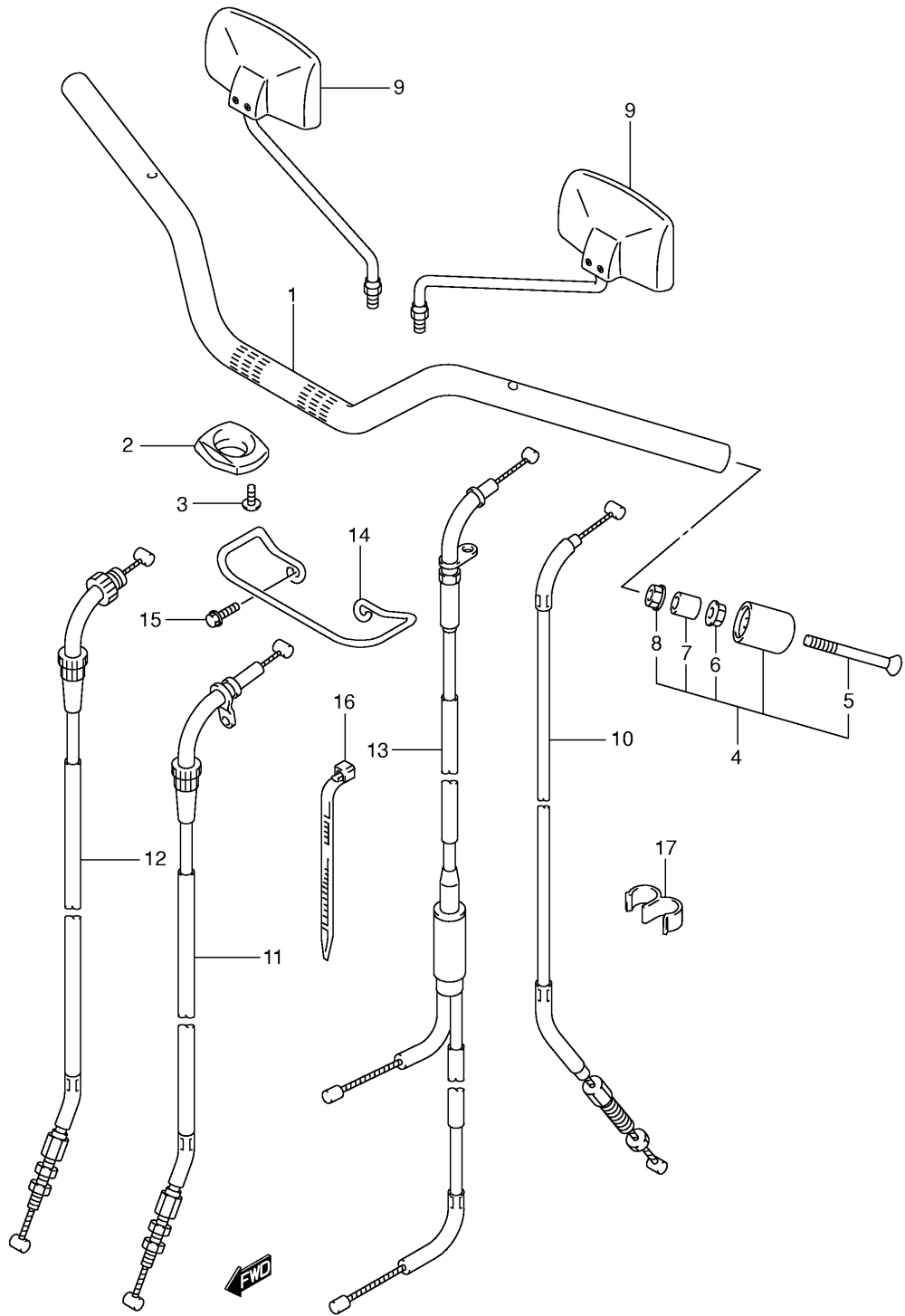




Ref No	Part No	Description
1	51800-19F00	Housing Assy, Headlamp
2	51858-25D00	. Bolt, Headlamp Adjuster
3	51837-25D00	. Spring, Headlamp Adjuster
4	08322-01053	. Washer
5	51825-25D00	. Nut, Headlamp Adjuster
6	01550-05123	Bolt
7	01244-08357	Bolt
8	09320-12065	Cushion
9	09180-08168	Spacer (8.6x12x20)
10	08316-10083	Nut

Ref No	Part No	Description
1	53109-19F00-Y7E	Fender, Front (blue)
1	53109-19F00-Y7L	Fender, Front (black)
1	53109-19F00-Y7M	Fender, Front (red)
1	53109-19F00-Y9F	Fender, Front (yellow)
2	53120-33D00	Plate, Front Fender
3	01547-06307	Bolt

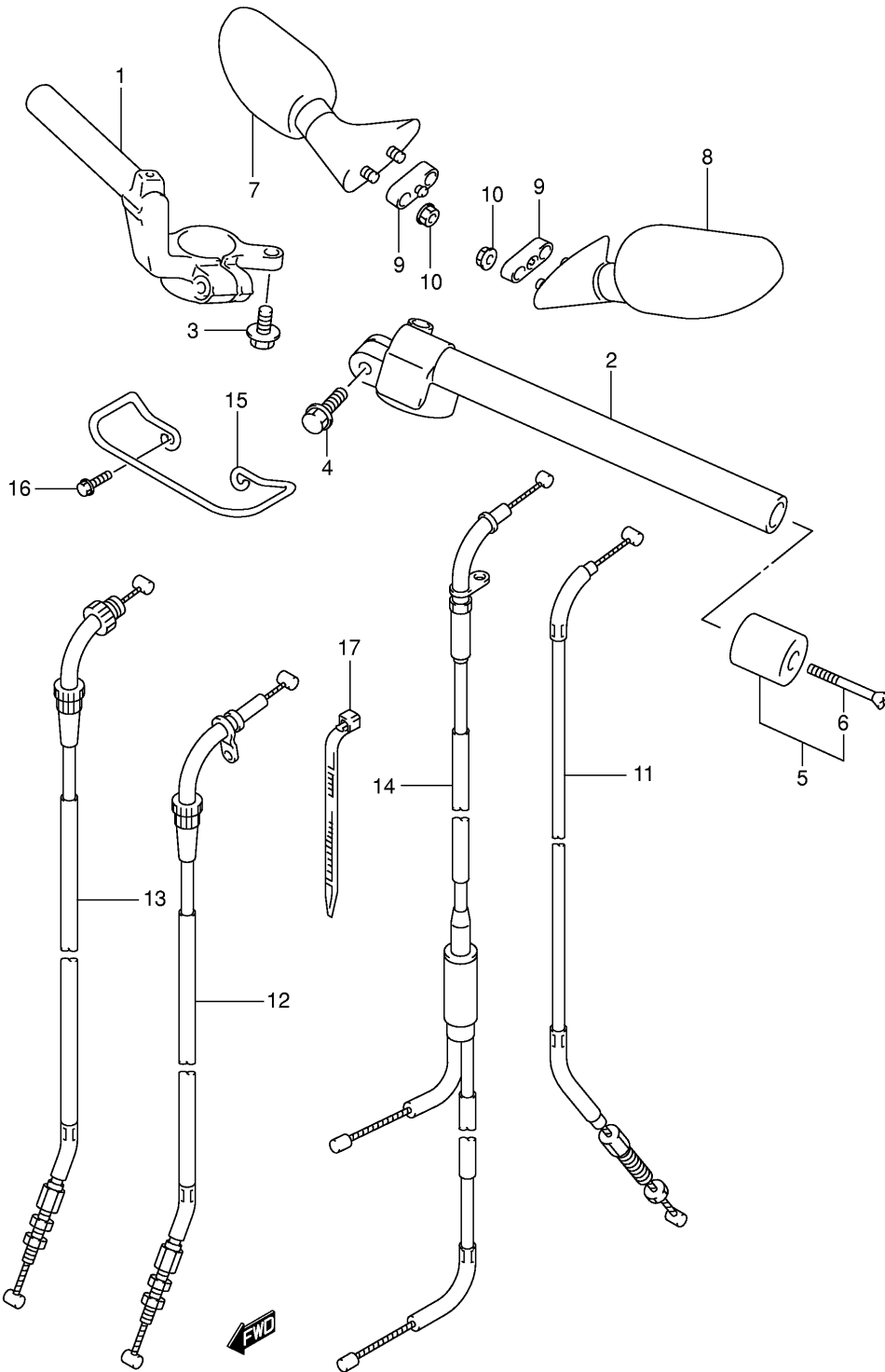




Ref No	Part No	Description
1	56111-19F20	Handle Bar
2	56170-19F00	Cover, Ignition Switch
3	02142-04123	Screw
4	56200-32821	Balancer Set, Handle Bar
5	02122-06803	. Screw
6	08316-10083	. Nut
7	56272-44500	. Expander, Handle Balancer
8	09159-06024	. Nut
9	56500-09020	Mirror Assy, Rear View
10	58200-20F00	Cable Assy, Clutch
11	58300-20F20	Cable Assy, Throttle No.1
12	58300-20F30	Cable Assy, Throttle No.2
13	58410-20F00	Cable, Starter
14	58621-19F00	Guide, Cable
15	01550-06123	Bolt
16	09407-14407	Clamp
17	09408-00033	Clip

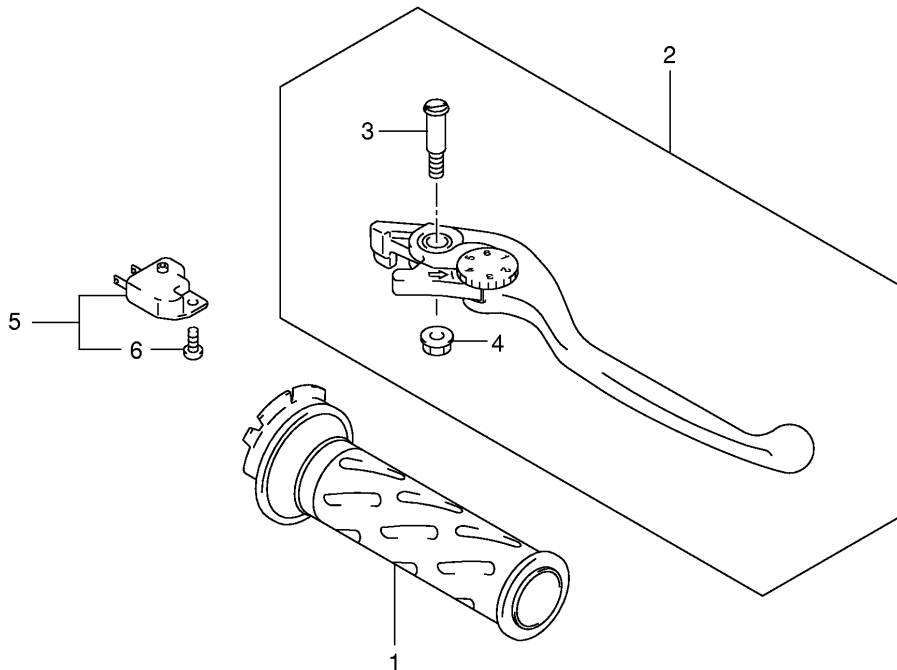
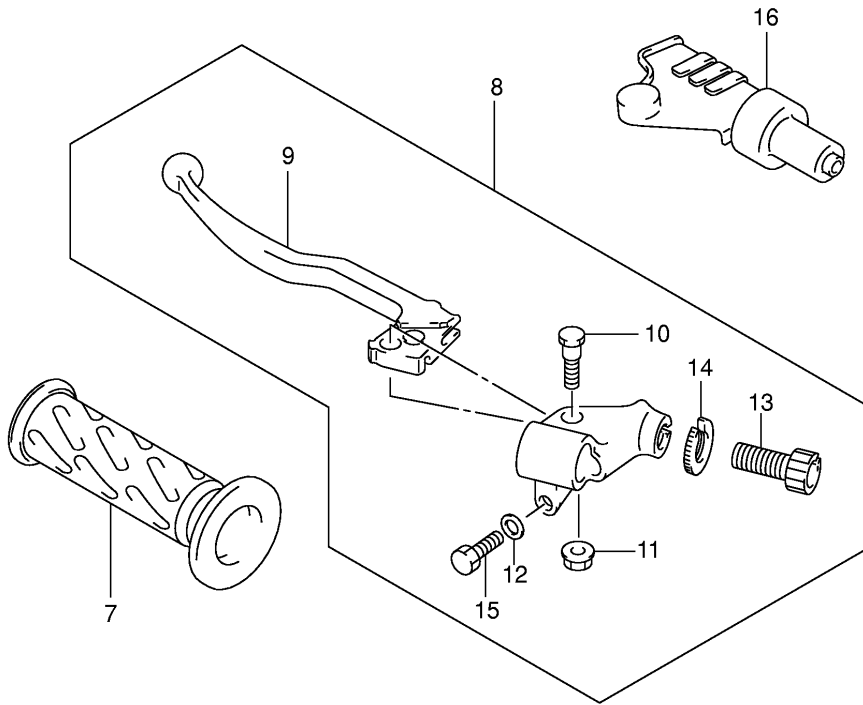
Ref No	Part No	Description
--------	---------	-------------

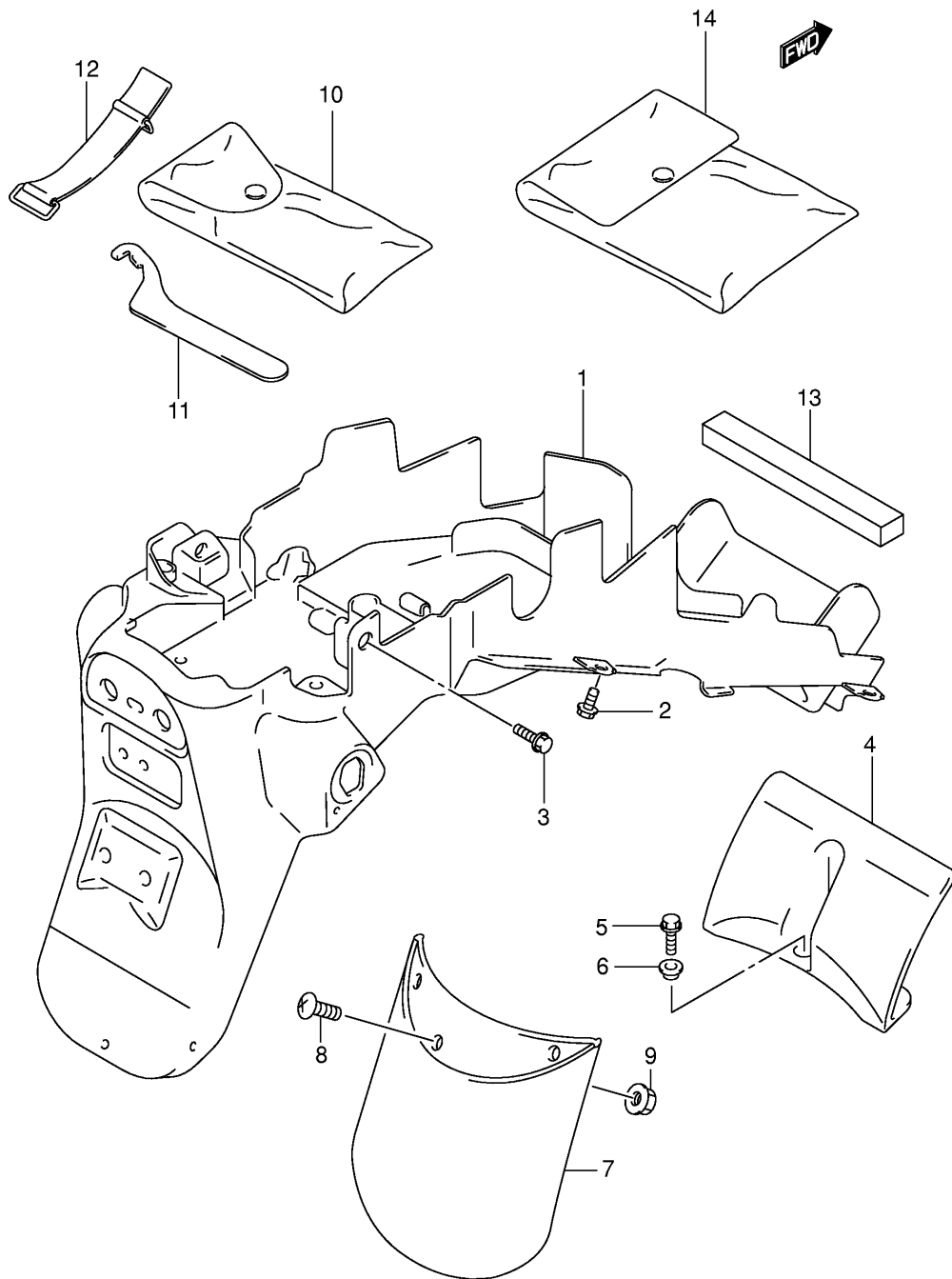
1	56111-19F00	Handle Bar, Rh
2	56151-19F00	Handle Bar, Lh
3	01550-06203	Bolt
4	09103-08269	Bolt (8x30)
5	56200-04821	Balancer Set, Handle Bar
6	02122-06603	• . Screw
7	56500-19F00	Mirror Assy, Rear View Rh
8	56600-19F00	Mirror Assy, Rear View Lh
9	94576-19F00	Cushion, Rear View Mirror
10	56619-17C00	Nut, Rear View Mirror
11	58200-19F00	Cable Assy, Clutch
12	58300-20F00	Cable Assy, Throttle No.1
13	58300-20F10	Cable Assy, Throttle No.2
14	58410-19F00	Cable, Starter
15	58621-19F00	Guide, Cable
16	01550-06123	Bolt
17	09407-14407	Clamp





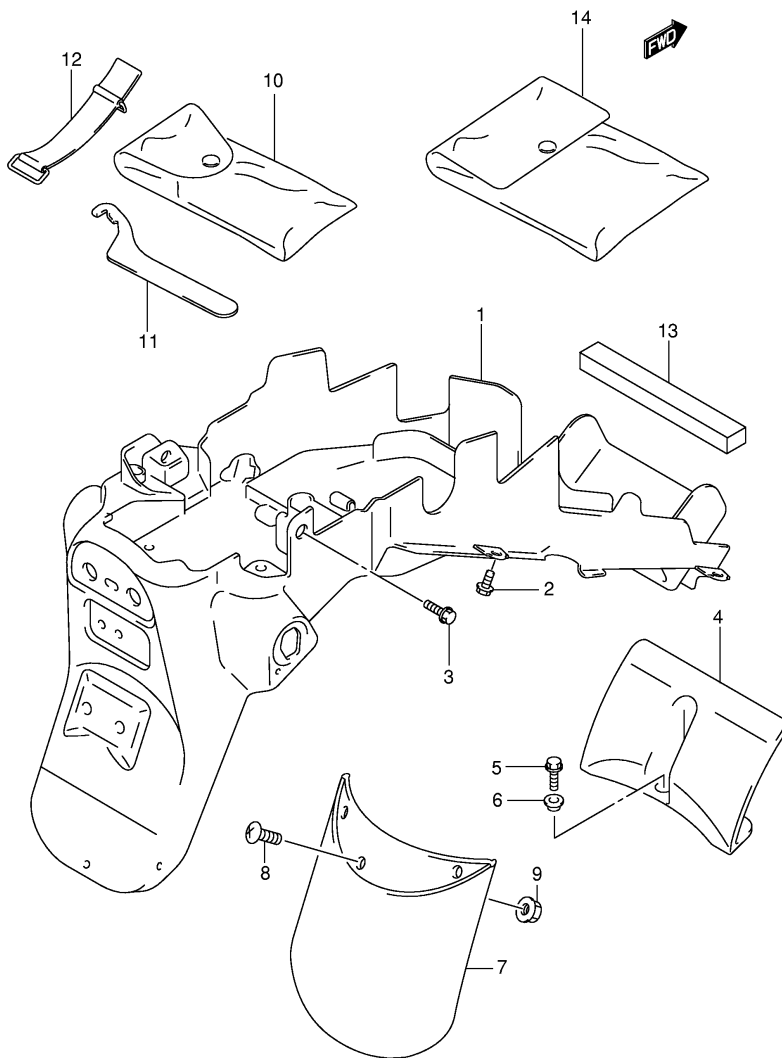
Ref No	Part No	Description
1	57110-46E01	Grip, Throttle
2	57300-33E01	Lever Assy, Brake
3	57431-17C00	• Bolt, Knocker
4	08316-10063	• Nut
5	57460-17C00	Switch Assy, Stop
6	57465-17C00	• Screw
7	57211-22D01	Grip, Lh
8	57500-10D80	Lever Assy, Clutch
9	57620-27A31	• Lever
10	57531-14A00	• Screw, Brake Lever Pivot
11	08319-21063	• Nut
12	08322-01063	• Washer
13	57441-11010	• Adjuster, Cable
14	57442-11010	• Nut, Cable Adjuster
15	01500-06203	• Bolt
16	57661-45C00	Cover, Clutch Lever





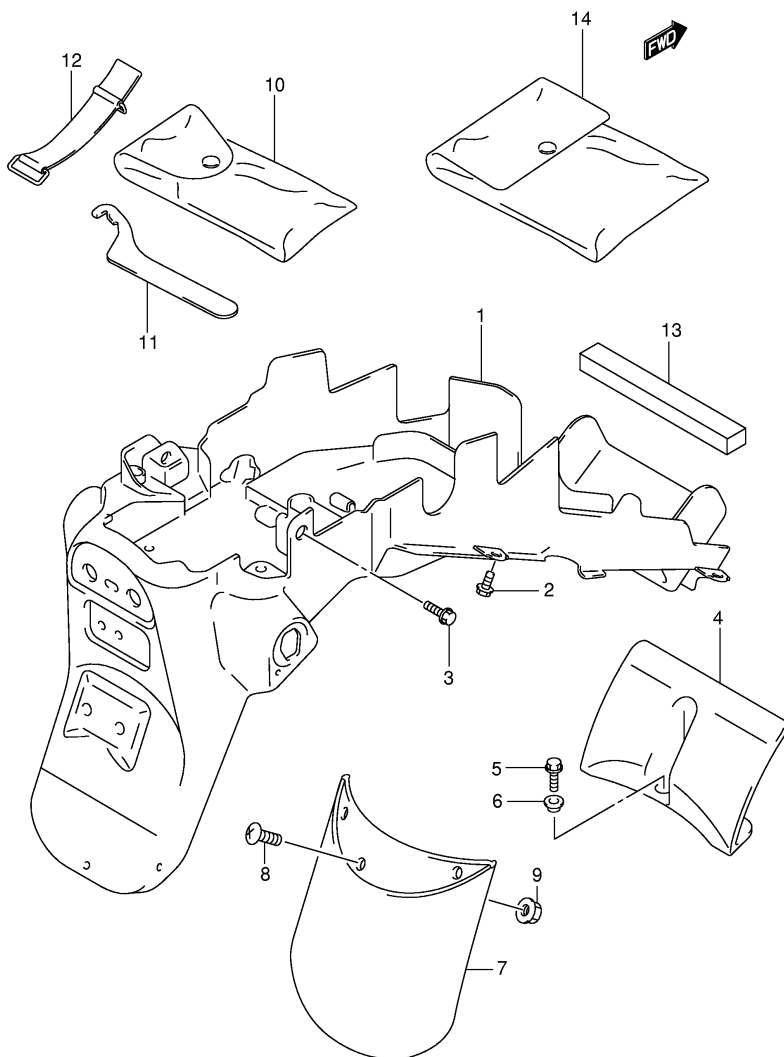
Ref No	Part No	Description
1	63111-19F00	Fender, Rear
1	63111-19F20	Fender, Rear
1	63111-19F21	Fender, Rear
2	09116-06168	Bolt
3	09111-06066	Bolt
4	63421-19F00	Mud Guard, Rear Fender Front
5	01550-06163	Bolt
6	09169-06071	Washer
7	63311-19F00	Extension, Rear Fender
8	02142-06103	Screw
9	09146-06003	Nut
10	09800-21008	Tool Assy
11	09822-00005	Clamp, Wrench
12	47435-02F00	Band, Tool
13	47161-08F00	Cushion
14	94980-42A00	Bag, Manual

Ref No	Part No	Description
1	63111-19F21	Fender, Rear
2	09116-06168	Bolt
3	09113-06001	Bolt
4	63421-19F00	Mud Guard, Rear Fender Front
5	02162-06163	Bolt
6	09169-06071	Washer
7	63311-19F00	Extension, Rear Fender
8	02142-06103	Screw
9	09146-06003	Nut
10	09800-21008	Tool Assy
11	09822-00005	Clamp, Wrench
12	47435-02F01	Band, Tool
13	47161-08F00	Cushion
14	94980-42A00	Bag, Manual



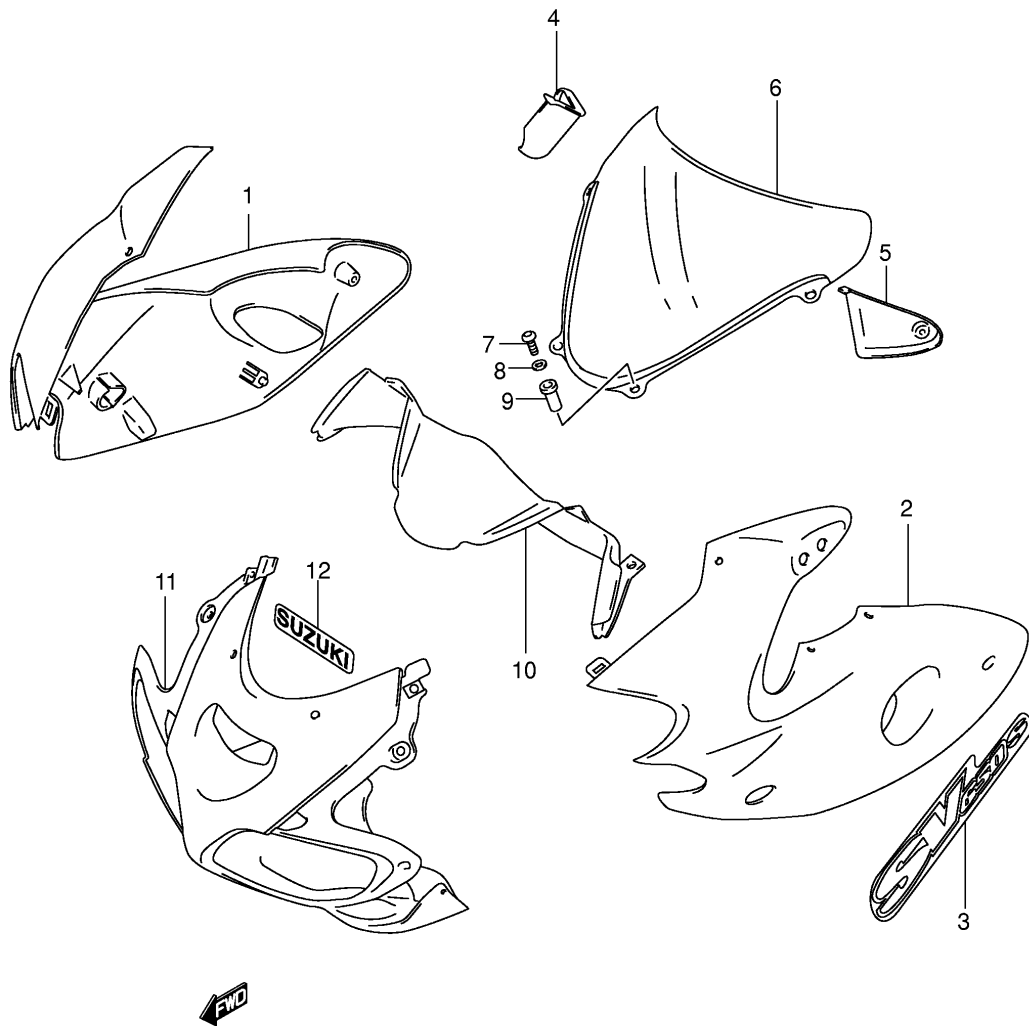
SV650Y E02_041A
 REAR FENDER

FIG41B

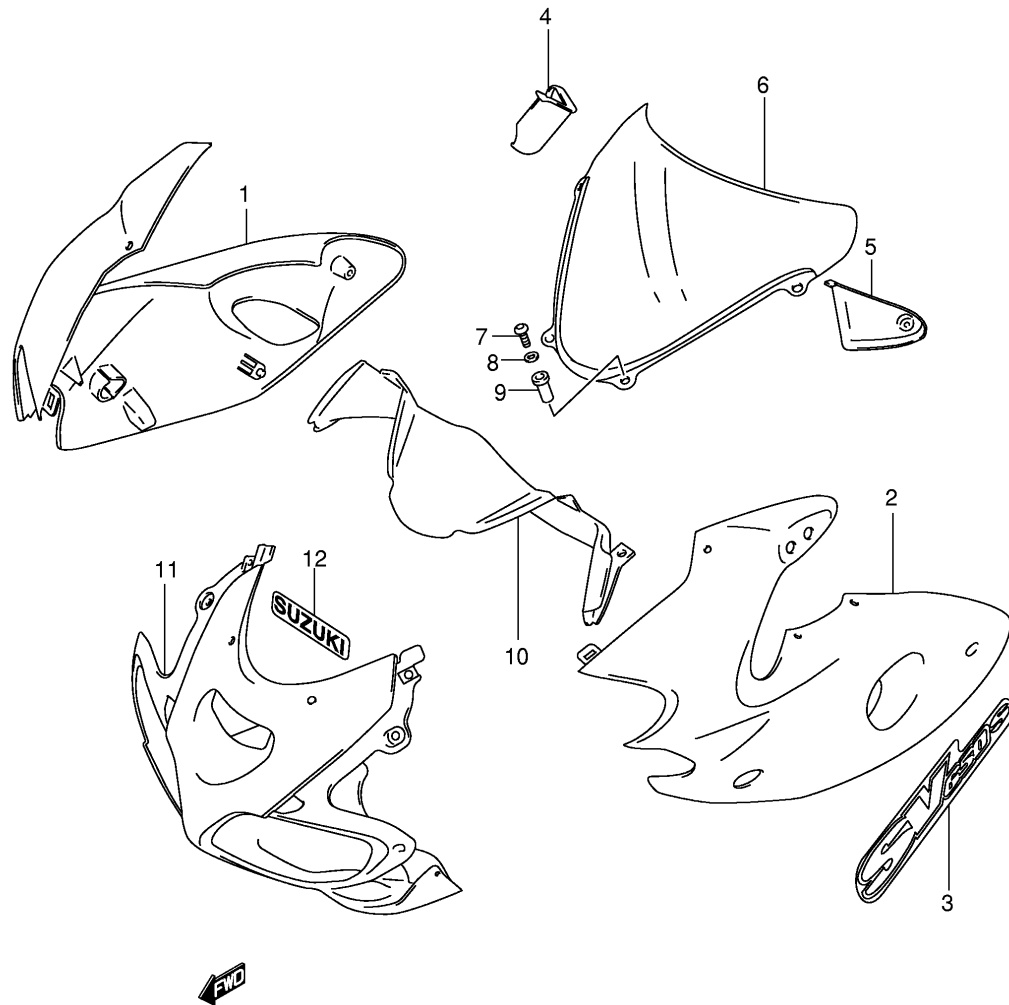


Ref No	Part No	Description
1	63111-19F10	Fender, Rear
2	09116-06168	Bolt
3	09111-06066	Bolt
4	63421-19F00	Mud Guard, Rear Fender Front
5	01550-06163	Bolt
6	09169-06071	Washer
7	63311-19F00	Extension, Rear Fender
8	02142-06103	Screw
9	09146-06003	Nut
10	09800-21008	Tool Assy
11	09822-00005	Clamp, Wrench
12	47435-02F00	Band, Tool
13	47161-08F00	Cushion
14	94980-42A00	Bag, Manual

SV650Y E02_041B
 REAR FENDER



Ref No	Part No	Description
1	94401-20F00-Y7E	Cowl Assy, Side Rh (blue)
1	94401-20F00-Y7L	Cowl Assy, Side Rh (black)
1	94401-20F00-Y7M	Cowl Assy, Side Rh (red)
1	94401-20F00-Y9F	Cowl Assy, Side Rh (yellow)
2	94402-20F00-Y7E	Cowl Assy, Side Lh (blue)
2	94402-20F00-Y7L	Cowl Assy, Side Lh (black)
2	94402-20F00-Y7M	Cowl Assy, Side Lh (red)
2	94402-20F00-Y9F	Cowl Assy, Side Lh (yellow)
3	68181-20F00-N0J	. Emblem
3	68181-20F00-N0G	. Emblem
3	68181-20F00-N0H	. Emblem
3	68181-20F00-N0K	. Emblem
4	94413-19F00	Panel, Upper Rh
5	94423-19F00	Panel, Upper Lh
6	94611-19F00	Window Screen
7	09139-05025	Screw (5x14)
8	08322-01053	Washer
9	09159-05019	Nut
10	94630-19F00	Panel, Meter
11	94403-19F00-Y7E	Cowling Assy, Center (blue)
11	94403-19F00-Y7L	Cowling Assy, Center (black)
11	94403-19F00-Y7M	Cowling Assy, Center (red)
11	94403-19F00-Y9F	Cowling Assy, Center (yellow)
12	68641-19F00-20G	. Emblem, "suzuki" (gray)
12	68641-19F00-1ZY	. Emblem, "suzuki" (gray)



Ref No	Part No	Description
1	94401-20F00-Y9X	Cowl Assy, Side Rh (black)
1	94401-20F00-Z7X	Cowl Assy, Side Rh (red)
1	94401-20F00-Z8X	Cowl Assy, Side Rh (yellow)
1	94401-20F00-YC2	Cowl Assy, Side Rh (blue)
2	94402-20F00-Y9X	Cowl Assy, Side Lh (black)
2	94402-20F00-Z7X	Cowl Assy, Side Lh (red)
2	94402-20F00-Z8X	Cowl Assy, Side Lh (yellow)
2	94402-20F00-YC2	Cowl Assy, Side Lh (blue)
3	68181-20F00-N9Y	. Emblem
3	68181-20F00-N9V	. Emblem
3	68181-20F00-N9Z	. Emblem
3	68181-20F00-N9W	. Emblem
4	94413-19F00	Panel, Upper Rh
5	94423-19F00	Panel, Upper Lh
6	94611-19F00	Window Screen
7	09139-05025	Screw (5x14)
8	08322-01053	Washer
9	09159-05019	Nut
10	94630-19F00	Panel, Meter
11	94403-19F00-Y7L	Cowling Assy, Center (black)
11	94403-19F00-Y7M	Cowling Assy, Center (red)
11	94403-19F00-Y9F	Cowling Assy, Center (yellow)
11	94403-19F00-YC2	Cowling Assy, Center (blue)
12	68641-19F00-1ZY	. Emblem, "suzuki" (gray)
12	68641-19F00-20G	. Emblem, "suzuki" (gray)

Ref No	Part No	Description
1	94401-20F01-19A	Cowl Assy, Side Rh (red)
1	94401-20F01-YFX	Cowl Assy, Side Rh (black)
1	94401-20F01-Y9H	Cowl Assy, Side Rh (yellow)
1	94401-20F01-YEX	Cowl Assy, Side Rh (blue)
2	94402-20F01-19A	Cowl Assy, Side Lh (red)
2	94402-20F01-YFX	Cowl Assy, Side Lh (black)
2	94402-20F01-Y9H	Cowl Assy, Side Lh (yellow)
2	94402-20F01-YEX	Cowl Assy, Side Lh (blue)
3	68181-20F00-ED6	. Emblem
3	68181-20F00-ED7	. Emblem
3	68181-20F00-ED8	. Emblem
3	68181-20F00-ED9	. Emblem
4	94413-19F00	Panel, Upper Rh
5	94423-19F00	Panel, Upper Lh
6	94611-19F00	Window Screen
7	09139-05025	Screw (5x14)
8	08322-01053	Washer
9	09159-05019	Nut
10	94630-19F00	Panel, Meter
11	94403-19F01-19A	Cowling Assy, Center (red)
11	94403-19F01-Y7L	Cowling Assy, Center (black)
11	94403-19F01-Y9H	Cowling Assy, Center (yellow)
11	94403-19F00-YC2	Cowling Assy, Center (blue)
12	68641-19F00-YD8	. Emblem, "suzuki" (silver)
12	68641-19F00-1ZY	. Emblem, "suzuki" (gray)
12	68641-19F00-20G	. Emblem, "suzuki" (gray)

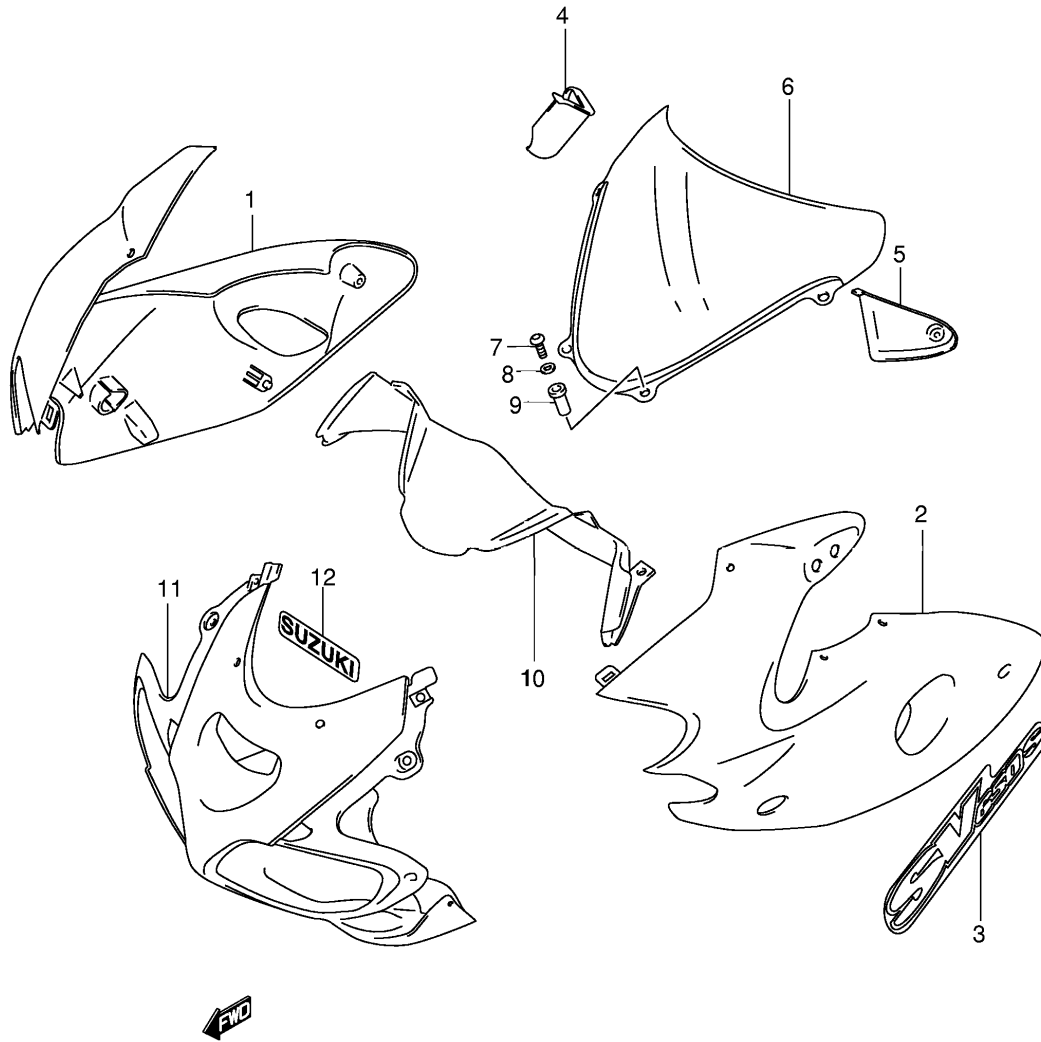
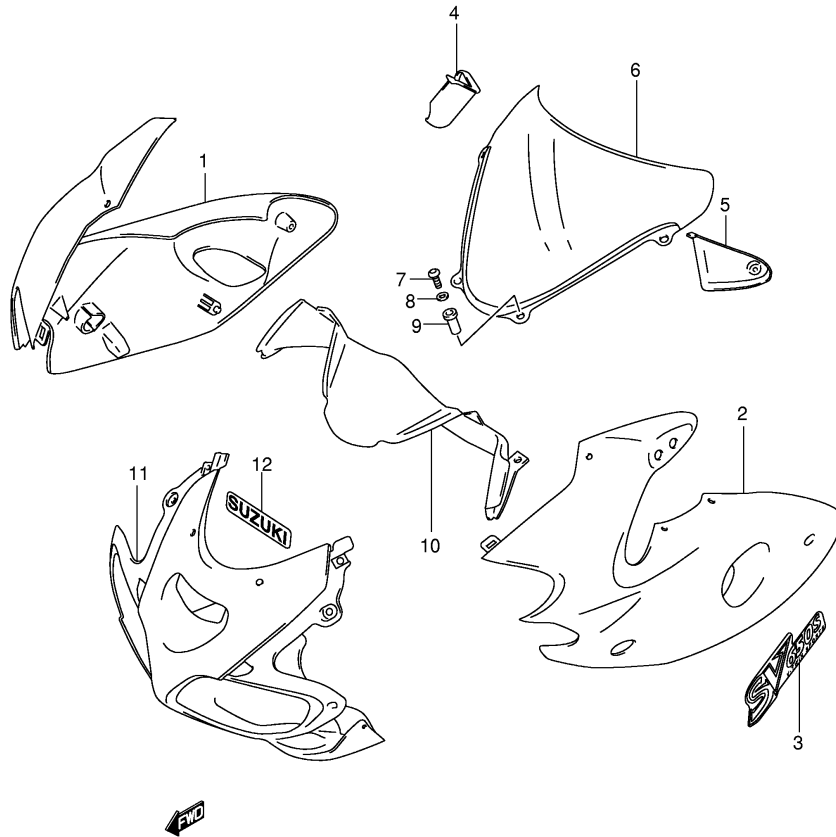
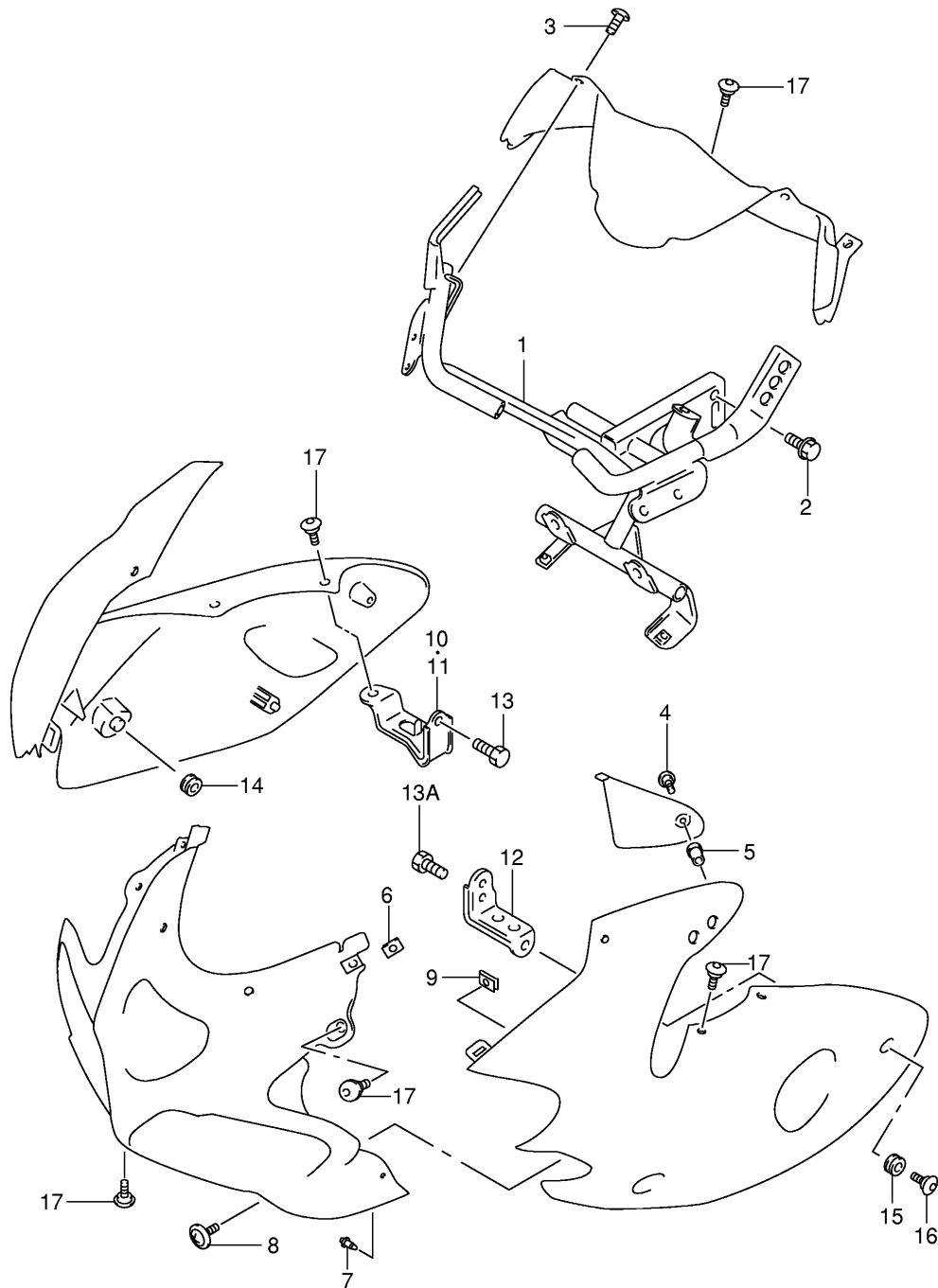


FIG.42C

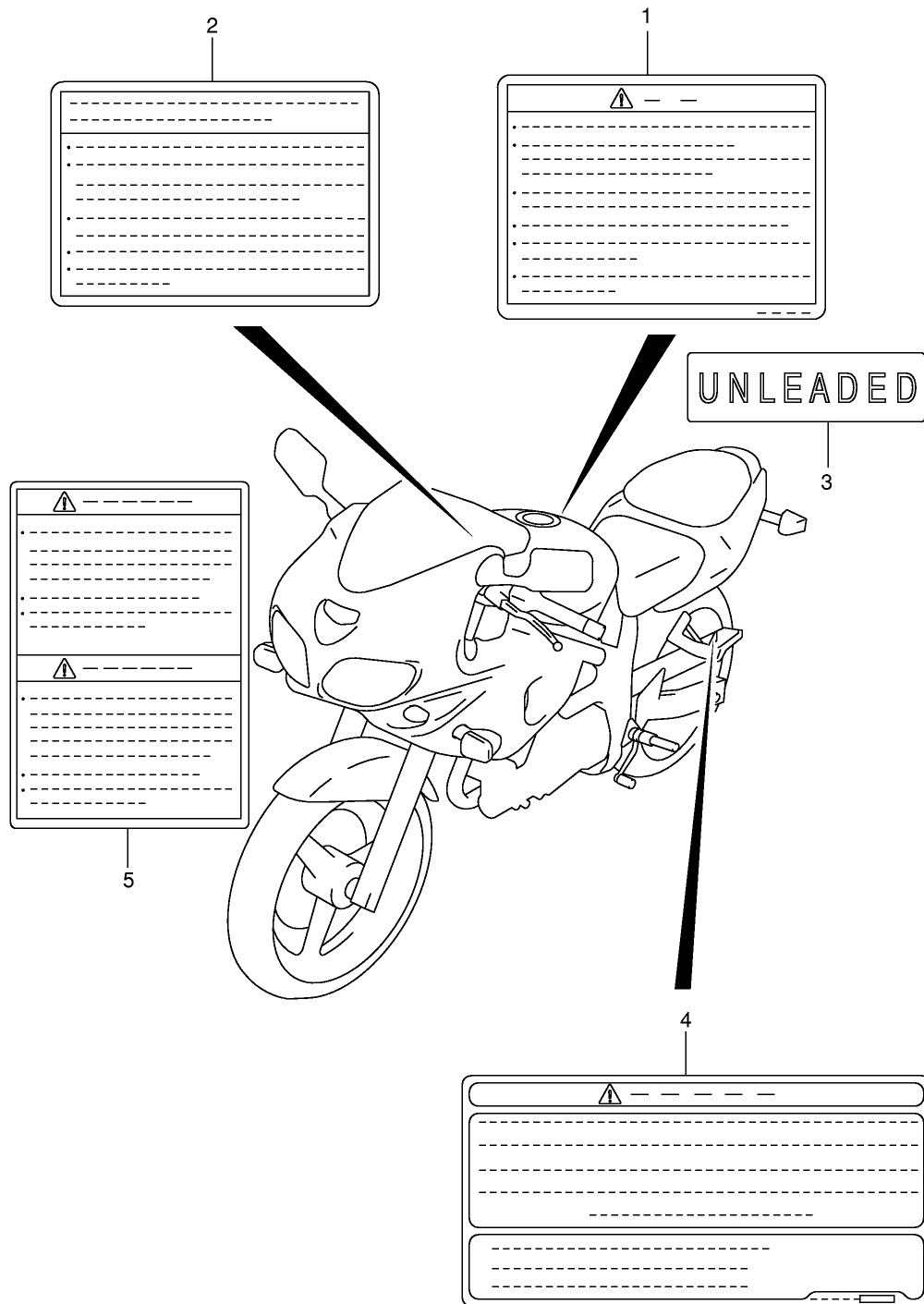


Ref No	Part No	Description
1	94401-20F10-Y7L	Cowl Assy, Side Rh (black)
1	94401-20F10-Y9H	Cowl Assy, Side Rh (yellow)
1	94401-20F10-YC2	Cowl Assy, Side Rh (blue)
1	94401-20F10-YD8	Cowl Assy, Side Rh (silver)
2	94402-20F10-Y7L	Cowl Assy, Side Lh (black)
2	94402-20F10-Y9H	Cowl Assy, Side Lh (yellow)
2	94402-20F10-YC2	Cowl Assy, Side Lh (blue)
2	94402-20F10-YD8	Cowl Assy, Side Lh (silver)
3	68181-20F10-GY1	. Emblem
3	68181-20F10-GY2	. Emblem
3	68181-20F10-GY3	. Emblem
3	68181-20F10-GY4	. Emblem
4	94413-19F00	Panel, Upper Rh
5	94423-19F00	Panel, Upper Lh
6	94611-19F00	Window Screen
7	09139-05025	Screw (5x14)
8	08322-01053	Washer
9	09159-05019	Nut
10	94630-19F00	Panel, Meter
11	94403-19F02-Y7L	Cowling Assy, Center (black)
11	94403-19F02-Y9H	Cowling Assy, Center (yellow)
11	94403-19F02-YC2	Cowling Assy, Center (blue)
11	94403-19F02-YD8	Cowling Assy, Center (silver)
12	68641-19F00-1ZY	. Emblem, "suzuki" (gray)
12	68641-19F00-20G	. Emblem, "suzuki" (gray)

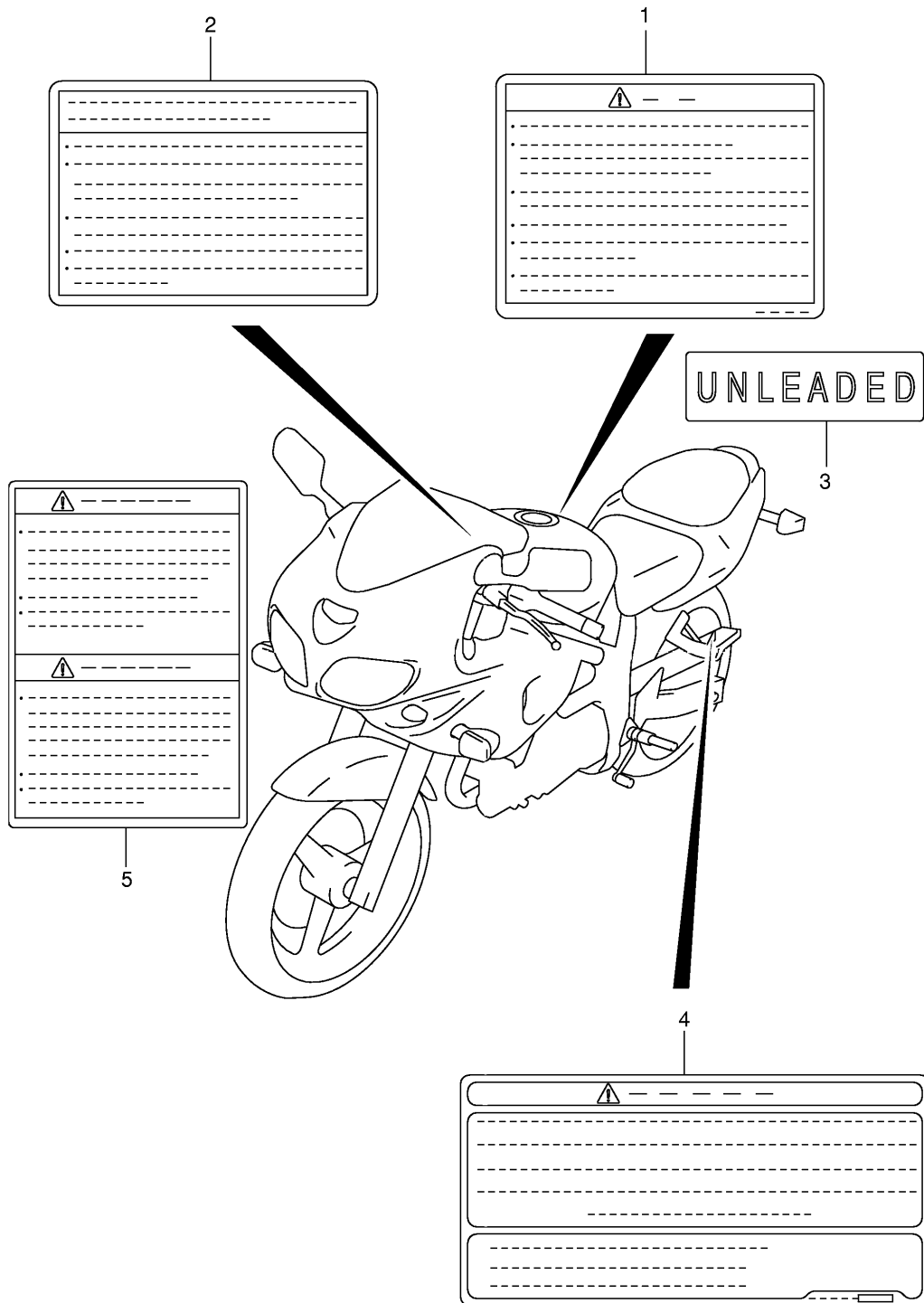


Ref No	Part No	Description
1	94510-19F00	Brace, Cowling
2	01550-08303	Bolt
3	02142-05123	Screw
4	02142-05203	Screw
5	09159-05019	Nut
6	94484-24F00	Nut, Cowling
7	09409-06314-5PK	Clip (black)
8	03241-15163	Screw
9	09148-05038	Nut
10	94521-19F00	Bracket, Side Upper Rh
11	94531-19F00	Bracket, Side Upper Lh
12	94541-19F00	Bracket, Side Rear Rh
13	01500-06123	Bolt, Upper Bracket
13a	01500-06163	Bolt, Side Rear Bracket
14	09320-08018	Cushion (8x26x7)
15	09320-09016	Cushion
16	09139-06087	Screw (m6x20)
17	09139-05054	Screw (m5x16)





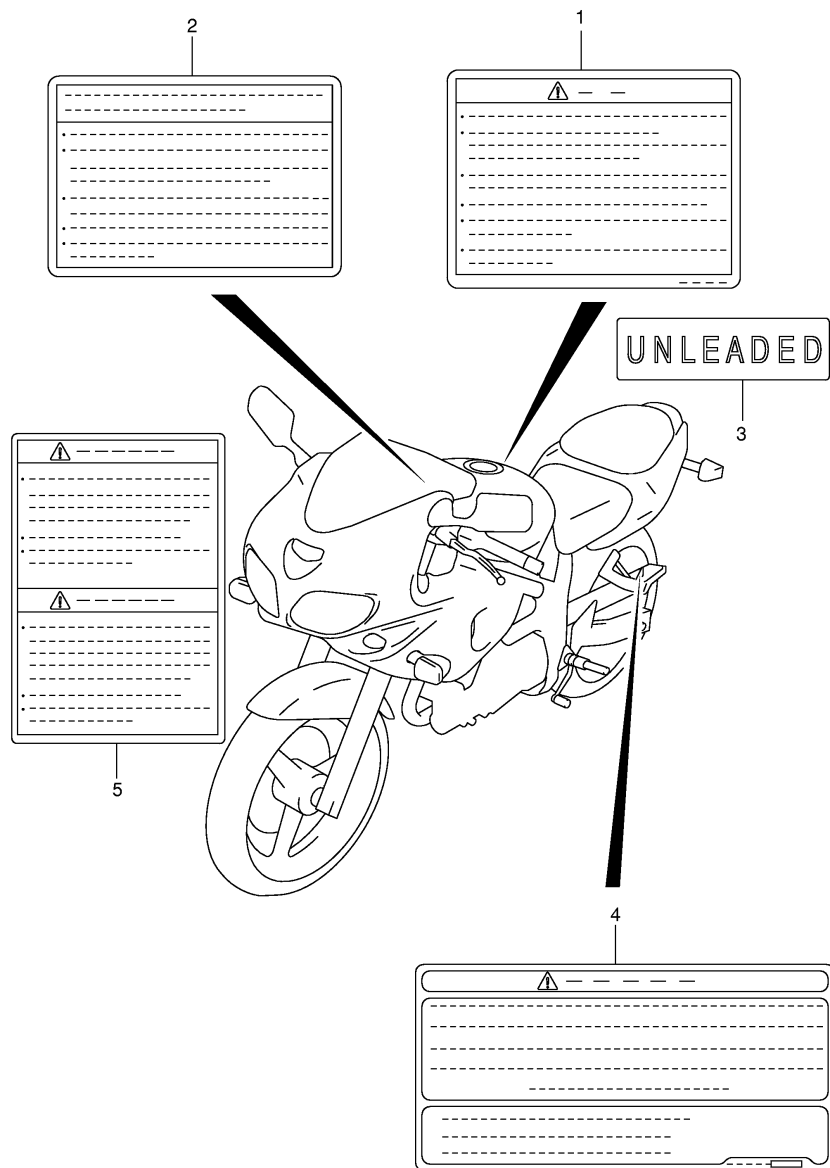
Ref No	Part No	Description
1	68319-33E01	Label, General Warning (english)
1	68319-33E21	Label, General Warning (german)
1	68319-33E31	Label, General Warning (franch)
1	68319-33E41	Label, General Warning (italian)
1	68319-33E51	Label, General Warning (spanish)
1	68319-33E71	Label, General Warning (dutch)
1	68319-33E91	Label, General Warning (swedish)
1	68319-33EA1	Label, General Warning (finnish)
1	68319-33EB1	Label, General Warning (norwegian)
1	68319-33EC1	Label, General Warning (danish)
2	68922-14F00	Label, Screen
2	68922-14F30	Label, Screen
2	68922-14F20	Label, Screen
3	68623-17D00	Label, Fuel
3	86932-73060	Label, Fuel
4	68332-20F00	Label, Tire Information
5	68613-21E10	Label, Steering
5	68613-21E00	Label, Steering
6	99011-20F50-042	Manual, Owner's



Block Title.
LABEL (MODEL K1)

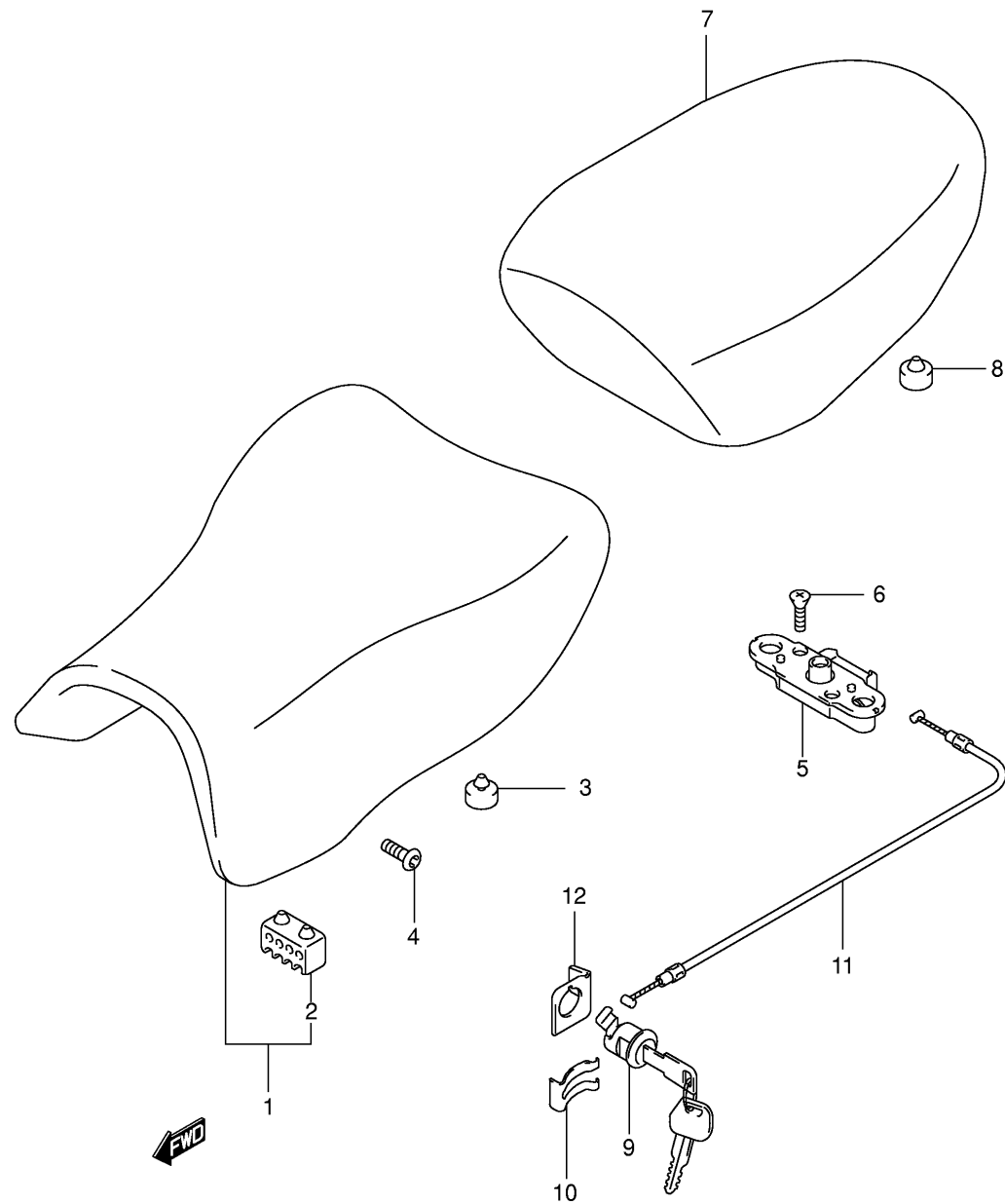
Ref No	Part No	Description
1	68319-29F00	Label, General Warning (english)
1	68319-30F00	Label, General Warning (english)
1	68319-30F20	Label, General Warning (german)
1	68319-30F30	Label, General Warning (franch)
1	68319-30F40	Label, General Warning (italian)
1	68319-30F50	Label, General Warning (spanish)
1	68319-30F70	Label, General Warning (dutch)
1	68319-30F80	Label, General Warning (potuguese)
1	68319-30F90	Label, General Warning (swedish)
1	68319-30FA0	Label, General Warning (finnish)
1	68319-30FB0	Label, General Warning (norwegian)
1	68319-30FC0	Label, General Warning (danish)
3	68623-17D00	Label, Fuel
3	86932-73060	Label, Fuel
4	68332-20F00	Label, Tire Information
6	99011-20F52-042	Manual, Owner's

FIG44B

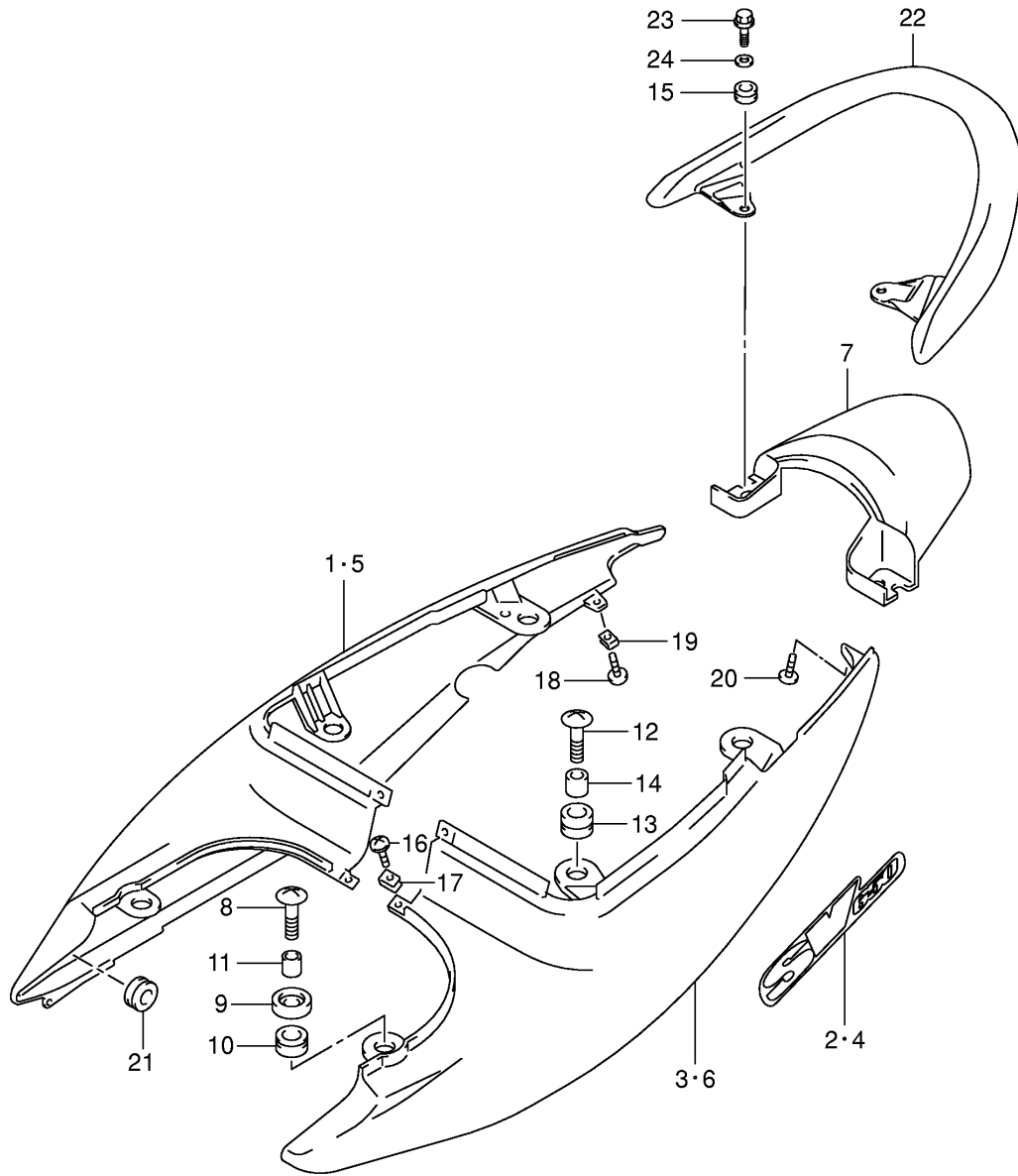


Ref No	Part No	Description
1	68319-29F00	Label, Warning (english)
1	68319-29F20	Label, Warning (german)
1	68319-29F30	Label, Warning (franch)
1	68319-29F40	Label, Warning (italian)
1	68319-29F50	Label, Warning (spanish)
1	68319-29F70	Label, Warning (dutch)
1	68319-29F80	Label, Warning (potuguese)
1	68319-29F90	Label, Warning (swedish)
1	68319-29FA0	Label, Warning (finnish)
1	68319-29FB0	Label, Warning (norwegian)
1	68319-30FC0	Label, Warning (danish)
1	68319-30F20	Label, Warning (german)
1	68319-30F40	Label, Warning (italian)
1	68319-30F90	Label, Warning (swedish)
3	68623-17D00	Label, Fuel
3	86932-73060	Label, Fuel
4	68332-20F00	Label, Tire Information
6	99011-20F53-042	Manual, Owner's

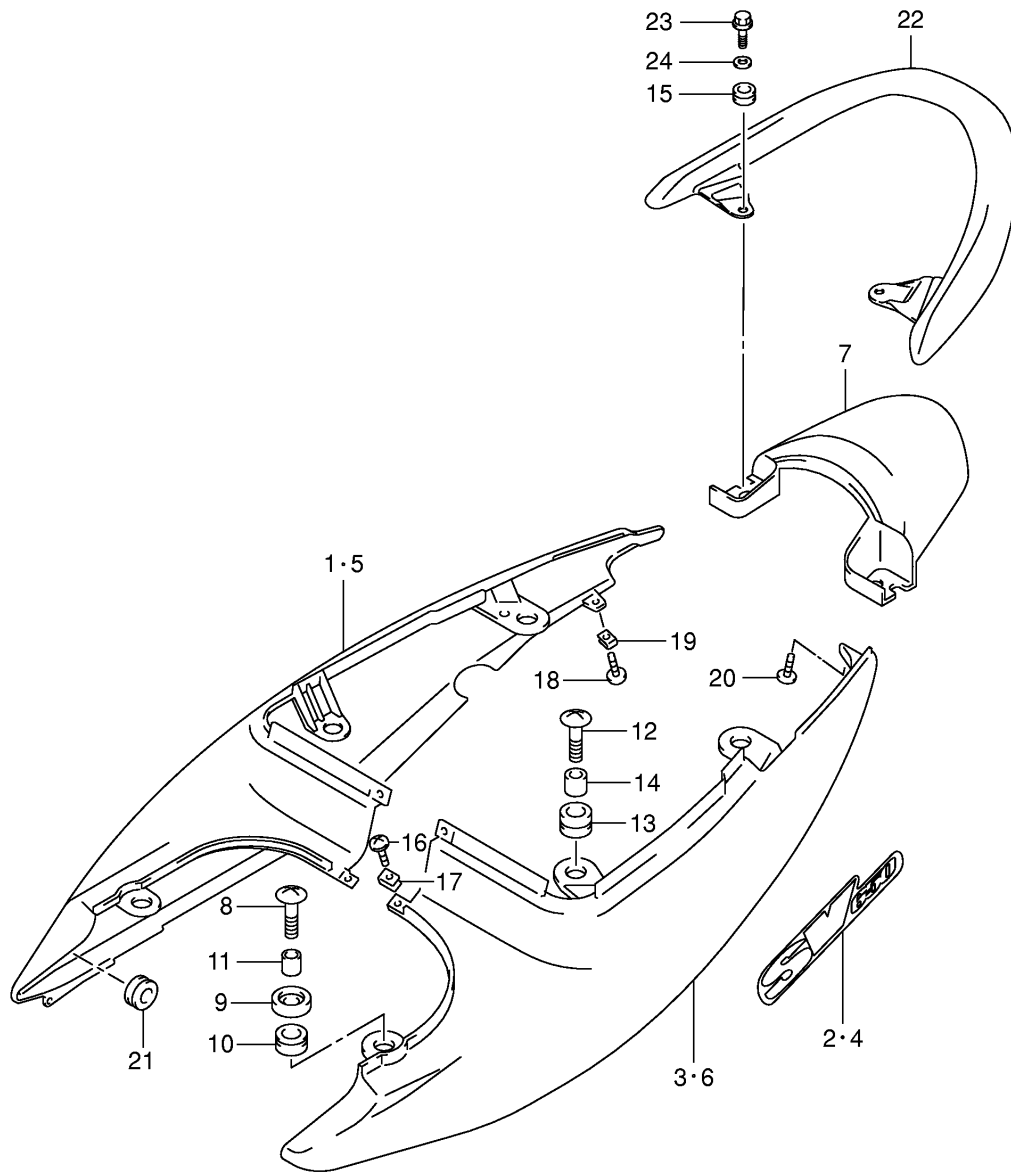
SV650Y E02_044B
 LABEL



Ref No	Part No	Description
1	45100-19F50-W05	Seat Assy (black)
2	45149-31300	• Cushion
3	09321-10002	• Cushion
4	09106-06064	Bolt (6x18)
5	45220-20A01	Bracket, Seat Support Rear
6	02122-06303	Screw
7	45300-19F50-W05	Seat Assy,pillion (black)
8	09321-10011	• Cushion
9	95700-14810	Lock Set, Seat
10	45289-11F00	Plate, Seat Lock
11	45280-38400	Cable, Seat Lock
12	45288-14F00	Guide, Seat Lock Cable

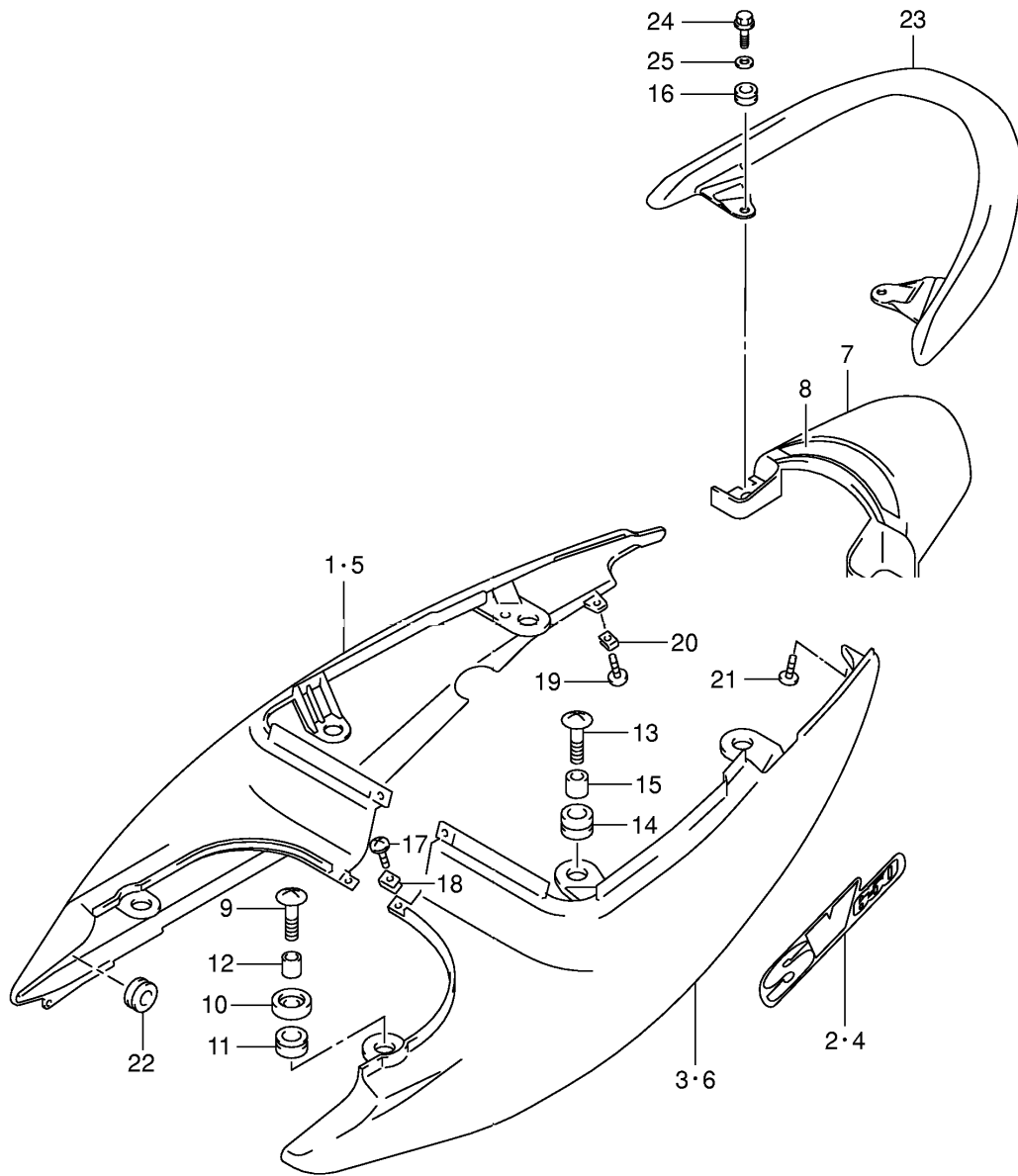


Ref No	Part No	Description
2	68165-20F00-N0J	. Emblem, Tail Cover,sv650
2	68165-20F00-N0G	. Emblem, Tail Cover,sv650
2	68165-20F00-N0H	. Emblem, Tail Cover,sv650
2	68165-20F00-N0K	. Emblem, Tail Cover,sv650
4	68165-20F00-N0J	. Emblem, Tail Cover,sv650
4	68165-20F00-N0G	. Emblem, Tail Cover,sv650
4	68165-20F00-N0H	. Emblem, Tail Cover,sv650
4	68165-20F00-N0K	. Emblem, Tail Cover,sv650
5	45501-20F10-Y7E	Cover, Seat Tail Rh (silver)
5	45501-20F10-Y7L	Cover, Seat Tail Rh (black)
5	45501-20F10-Y7M	Cover, Seat Tail Rh (red)
5	45501-20F10-Y9F	Cover, Seat Tail Rh (yellow)
6	45502-20F10-Y7E	Cover, Seat Tail Lh (silver)
6	45502-20F10-Y7L	Cover, Seat Tail Lh (black)
6	45502-20F10-Y7M	Cover, Seat Tail Lh (red)
6	45502-20F10-Y9F	Cover, Seat Tail Lh (yellow)
7	45503-19F50-35W	Cover, Seat Tail Center (gray)
7	45503-19F50-Y7L	Cover, Seat Tail Center (black)
8	09136-06083	Screw, Front (6x30)
9	47116-19F00	Cushion, Fr Upper (10x28x13)
10	47115-19F00	Cushion, Fr Lower (10x22x15)
11	09180-06294	Spacer (6.5x10x15.70)
12	09136-06105	Screw, Center (6x20)
13	09320-10045	Cushion (10x28x19)
14	09180-06286	Spacer (6.5x10x9.4)
15	47115-05F00	Cushion, Rear (15x28x12)
16	03241-15123	Screw
17	09148-05038	Nut
18	03241-15123	Screw
19	09148-05038	Nut
20	03242-04103	Screw
21	09320-08018	Cushion (8x26x7)
22	46210-19F50-291	Handle, Pillion Rider (black)
23	01551-08253	Bolt
24	09160-08126	Washer



Ref No	Part No	Description
2	68165-20F00-N9W	. Emblem, Tail Cover,sv650
2	68165-20F00-N9Y	. Emblem, Tail Cover,sv650
2	68165-20F00-N9V	. Emblem, Tail Cover,sv650
2	68165-20F00-N9Z	. Emblem, Tail Cover,sv650
4	68165-20F00-N9W	. Emblem, Tail Cover,sv650
4	68165-20F00-N9Y	. Emblem, Tail Cover,sv650
4	68165-20F00-N9V	. Emblem, Tail Cover,sv650
4	68165-20F00-N9Z	. Emblem, Tail Cover,sv650
7	45503-19F50-35W	Cover, Seat Tail Center (gray)
7	45503-19F50-Y7L	Cover, Seat Tail Center (black)
8	09136-06083	Screw, Front (6x30)
9	47116-19F00	Cushion, Fr Upper (10x28x13)
10	47115-19F00	Cushion, Fr Lower (10x22x15)
11	09180-06294	Spacer (6.5x10x15.70)
12	09136-06105	Screw, Center (6x20)
13	09320-10045	Cushion (10x28x19)
14	09180-06286	Spacer (6.5x10x9.4)
15	47115-05F00	Cushion, Rear (15x28x12)
16	03241-15123	Screw
17	09148-05038	Nut
18	03241-15123	Screw
19	09148-05038	Nut
20	03242-04103	Screw
21	09320-08018	Cushion (8x26x7)
22	46210-19F50-291	Handle, Pillion Rider (black)
23	01551-08253	Bolt
24	09160-08126	Washer

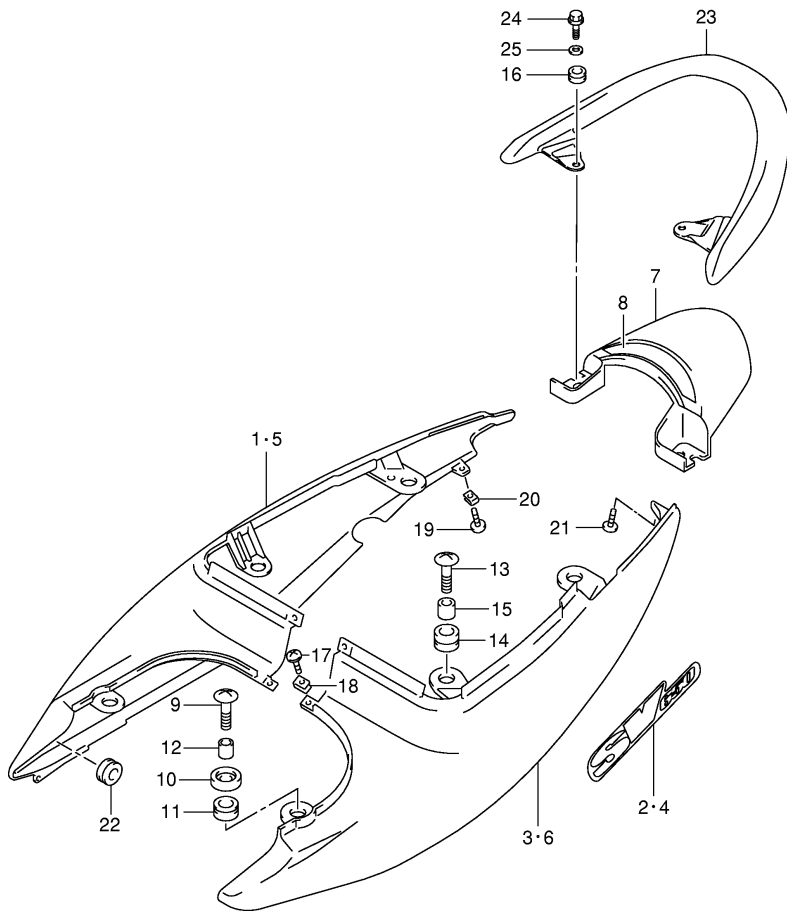




Ref No	Part No	Description
2	68165-20F00-ED9	. Emblem, Tail Cover,sv650
2	68165-20F00-ED7	. Emblem, Tail Cover,sv650
2	68165-20F00-ED6	. Emblem, Tail Cover,sv650
2	68165-20F00-ED8	. Emblem, Tail Cover,sv650
4	68165-20F00-ED9	. Emblem, Tail Cover,sv650
4	68165-20F00-ED7	. Emblem, Tail Cover,sv650
4	68165-20F00-ED6	. Emblem, Tail Cover,sv650
4	68165-20F00-ED8	. Emblem, Tail Cover,sv650
7	45503-19F50-35W	Cover, Seat Tail Center (gray)
7	45503-19F50-Y7L	Cover, Seat Tail Center (black)
8	45514-19F00	Tape, Seat Tail Cover Center
9	09136-06083	Screw, Front (6x30)
10	47116-19F00	Cushion, Fr Upper (10x28x13)
11	47115-19F00	Cushion, Fr Lower (10x22x15)
12	09180-06294	Spacer (6.5x10x15.70)
13	09136-06105	Screw, Center (6x20)
14	09320-10045	Cushion (10x28x19)
15	09180-06286	Spacer (6.5x10x9.4)
16	47115-05F00	Cushion, Rear (15x28x12)
17	03241-15123	Screw
18	09148-05038	Nut
19	03241-15123	Screw
20	09148-05038	Nut
21	03242-04103	Screw
22	09320-08018	Cushion (8x26x7)
23	46210-19F50-291	Handle, Pillion Rider (black)
24	01551-08253	Bolt
25	09160-08126	Washer



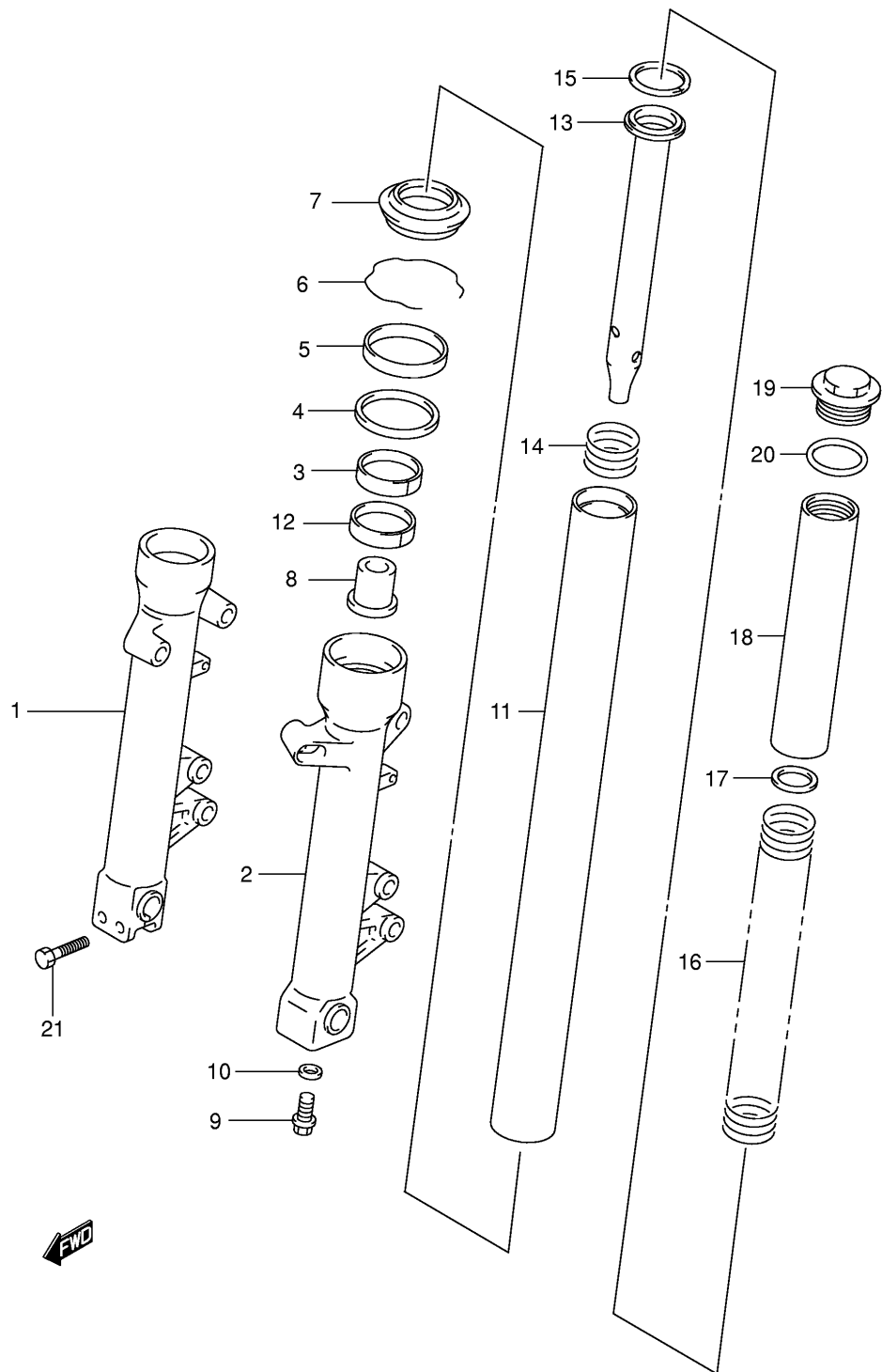
FIG47B

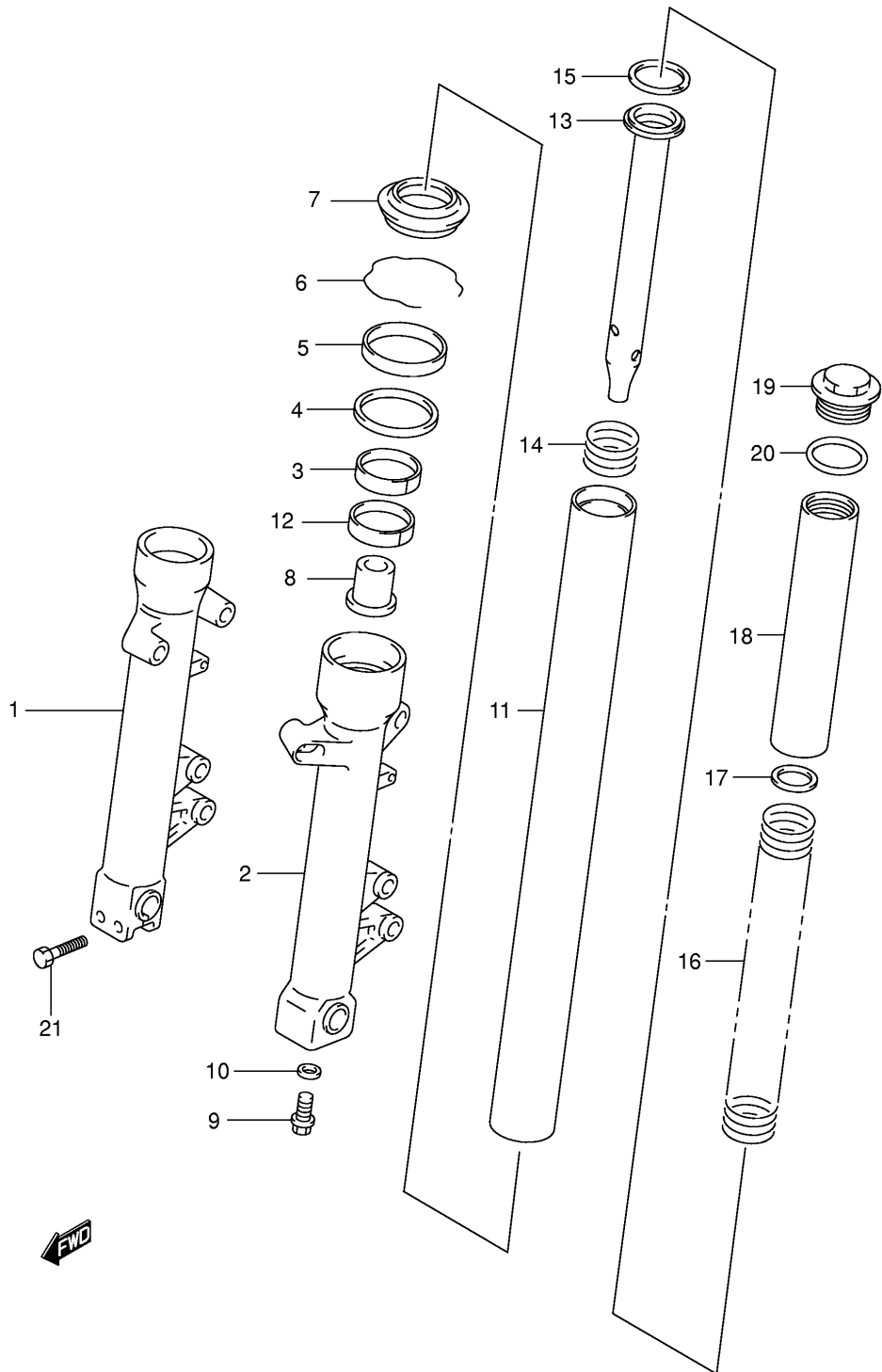


Ref No	Part No	Description
2	68161-20F00-GY3	. Emblem, Tail Cover,sv650
2	68161-20F00-GY1	. Emblem, Tail Cover,sv650
2	68161-20F00-GY4	. Emblem, Tail Cover,sv650
2	68161-20F00-GY2	. Emblem, Tail Cover,sv650
4	68161-20F00-GY3	. Emblem, Tail Cover,sv650
4	68161-20F00-GY1	. Emblem, Tail Cover,sv650
4	68161-20F00-GY4	. Emblem, Tail Cover,sv650
4	68161-20F00-GY2	. Emblem, Tail Cover,sv650
7	45503-19F50-Y7L	Cover, Seat Tail Center (black)
8	45514-19F00	Tape, Seat Tail Cover Center
9	09136-06083	Screw, Front (6x30)
10	47116-19F00	Cushion, Fr Upper (10x28x13)
11	47115-19F00	Cushion, Fr Lower (10x22x15)
12	09180-06294	Spacer (6.5x10x15.70)
13	09136-06105	Screw, Center (6x20)
14	09320-10045	Cushion (10x28x19)
15	09180-06286	Spacer (6.5x10x9.4)
16	47115-05F00	Cushion, Rear (15x28x12)
17	03241-15123	Screw
18	09148-05038	Nut
19	03241-15123	Screw
20	09148-05038	Nut
21	03242-04103	Screw
22	09320-08018	Cushion (8x26x7)
23	46210-19F50-291	Handle, Pillion Rider (black)
24	01551-08253	Bolt
25	09160-08126	Washer

SV650Y E02_047B
SEAT TAIL COVER

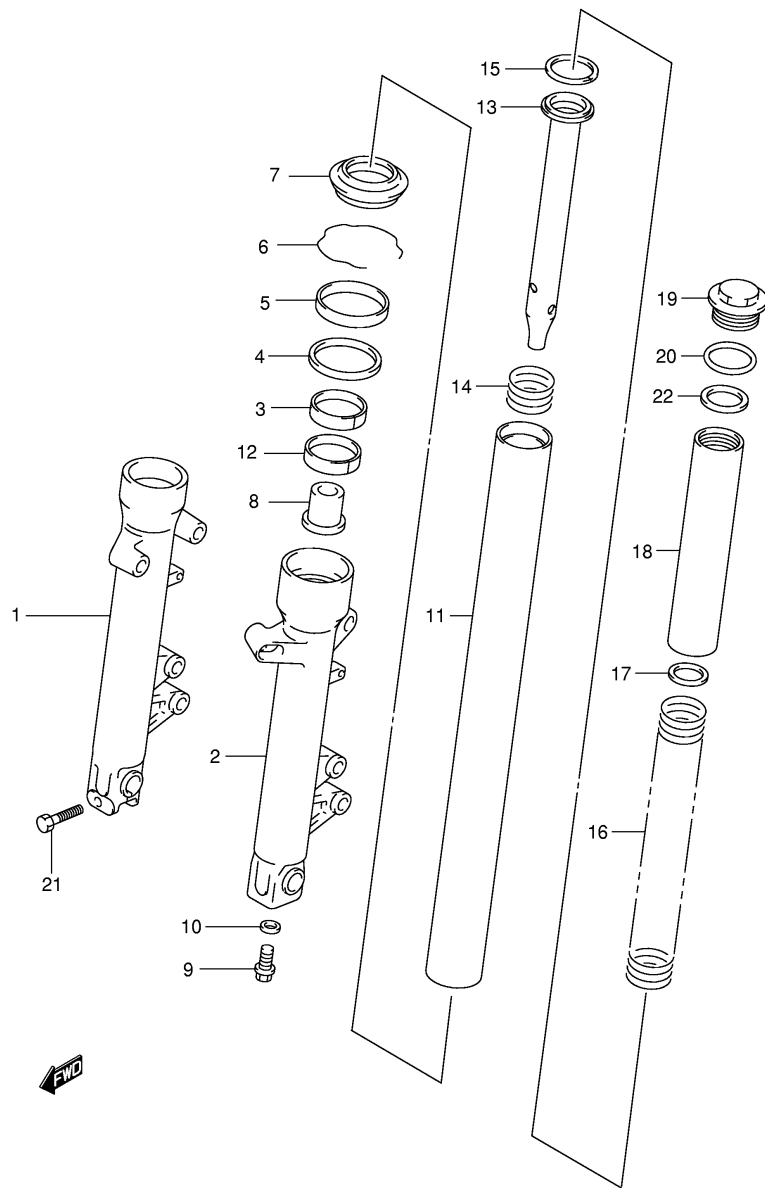
Ref No	Part No	Description
	51103-20F00	Damper Assy, Front Fork Rh
	51104-20F00	Damper Assy, Front Fork Lh
1	51130-20F00	. Tube, Outer Rh
2	51140-20F00	. Tube, Outer Lh
3	51167-26E10	. Metal, Slide
4	51158-05A00	. Washer
5	51153-14F00	. Seal, Oil
6	51156-49440	. Circlip
7	51173-14F00	. Seal, Dust
8	51195-33D10	. Piece, Oil Lock
9	51147-16510	. Bolt
10	51148-41310	. Washer
11	51110-20F00	. Tube, Inner
12	51121-33D10	. Piston
13	51146-20F00	. Cylinder
14	51177-06C00	. Spring
15	51196-33D10	. Ring, Piston
16	51171-19F00	. Spring, Front
17	51356-10D03	. Washer
18	51176-20F00	. Spacer, Spring
19	51351-33D00	. Cap
20	09280-32001	. O Ring
21	01550-08457	. Bolt, Rh



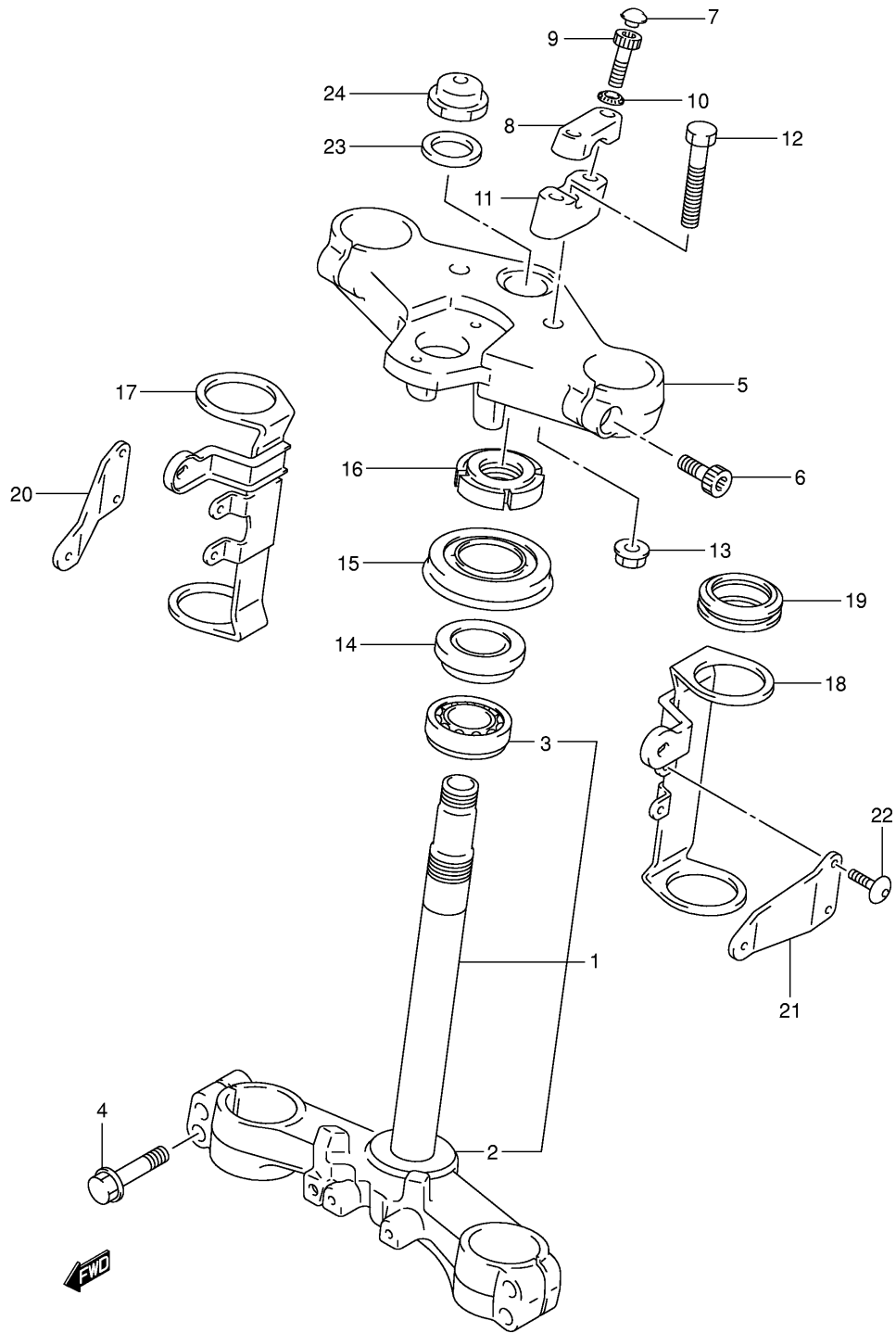


Ref No	Part No	Description
1	51130-20F30	. Tube, Outer Rh
2	51140-20F00	. Tube, Outer Lh
3	51167-26E10	. Metal, Slide
4	51158-05A00	. Washer
5	51153-14F00	. Seal, Oil
6	51156-49440	. Circlip
7	51173-14F00	. Seal, Dust
9	51147-16510	. Bolt
10	51148-41310	. Washer
11	51110-20F00	. Tube, Inner
12	51121-33D10	. Piston
14	51177-06C00	. Spring
15	51196-33D10	. Ring, Piston
17	51356-10D03	. Washer
19	51351-10D00	. Cap
20	09280-32001	. O Ring
21	01550-08457	. Bolt, Rh

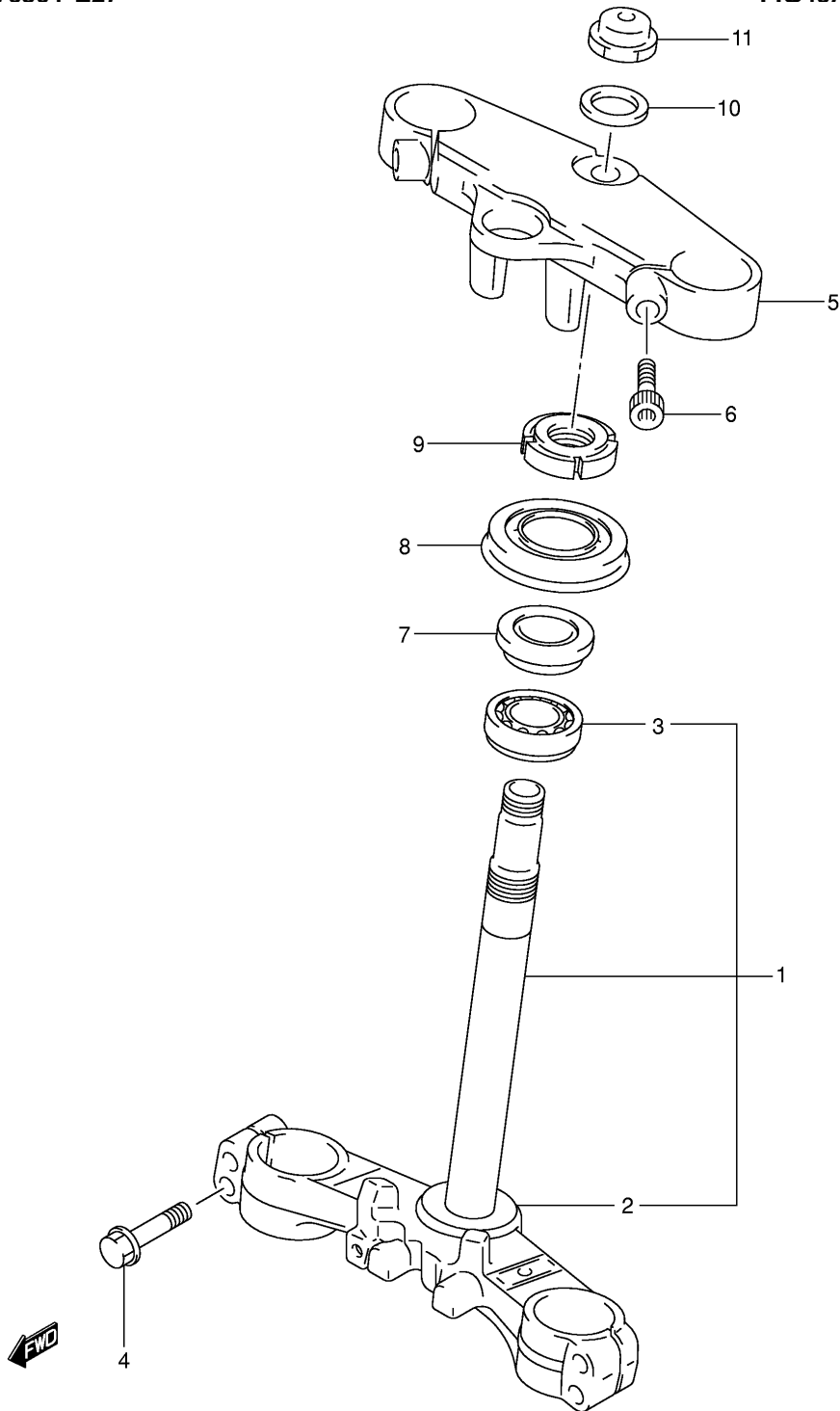
FIG. 48B



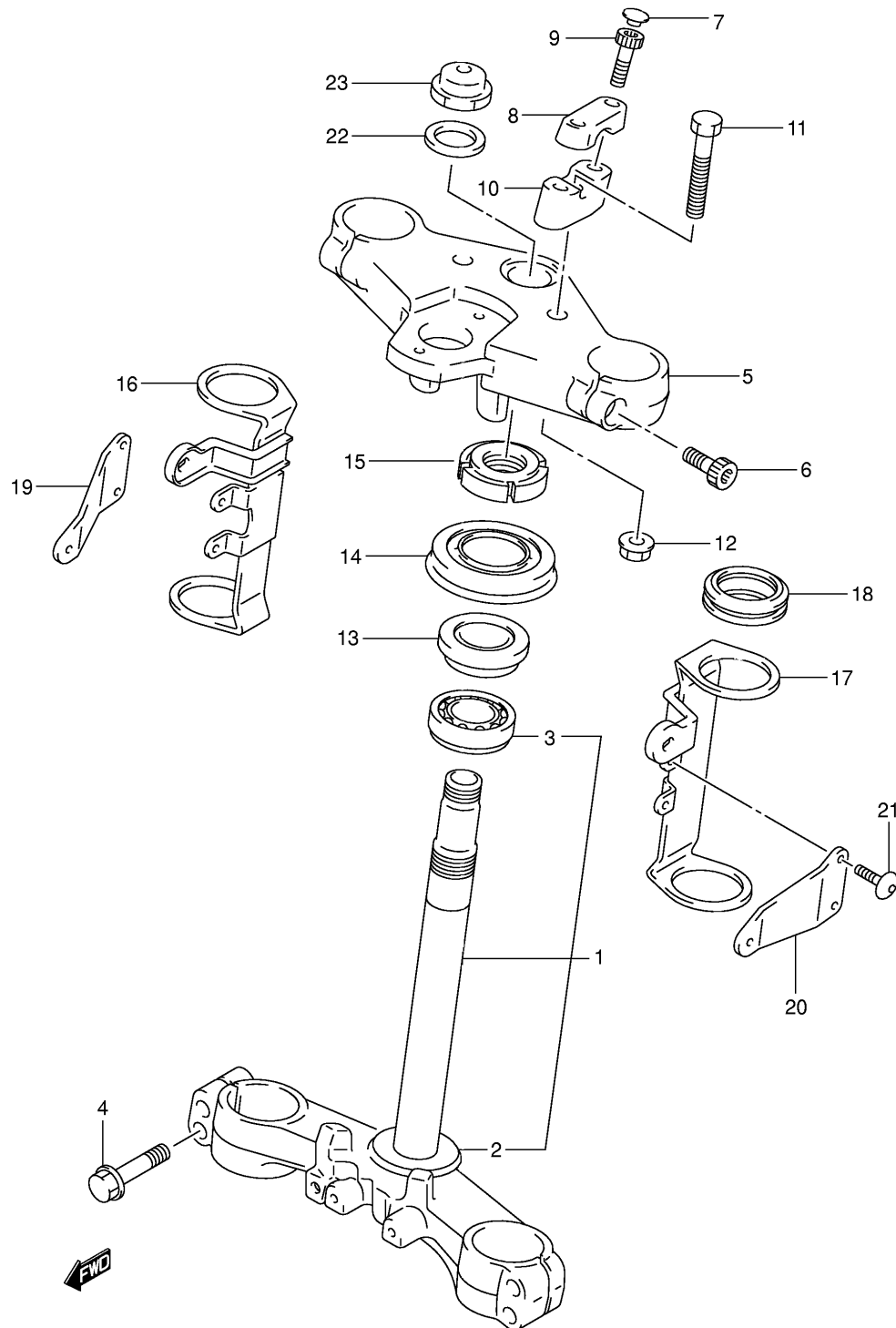
Ref No	Part No	Description
1	51130-20FA0	. Tube, Outer Rh
2	51140-20FA0	. Tube, Outer Lh
3	51167-26E10	. Metal, Slide
4	51158-05A00	. Washer
5	51153-14F00	. Seal, Oil
6	51156-49440	. Circlip
7	51173-14F00	. Seal, Dust
8	51195-33D10	. Piece, Oil Lock
9	51147-16510	. Bolt
10	51148-41310	. Washer
11	51110-20F00	. Tube, Inner
12	51121-33D10	. Piston
13	51146-20F30	. Cylinder
14	51177-06C00	. Spring
15	51196-31F00	. Ring, Piston
16	51171-20FA0	. Spring, Front
17	51356-10D03	. Washer
19	51351-10D80	. Cap
20	09280-32001	. O Ring
21	01550-08457	. Bolt, Rh
22	51192-06C00	. Washer, Upper



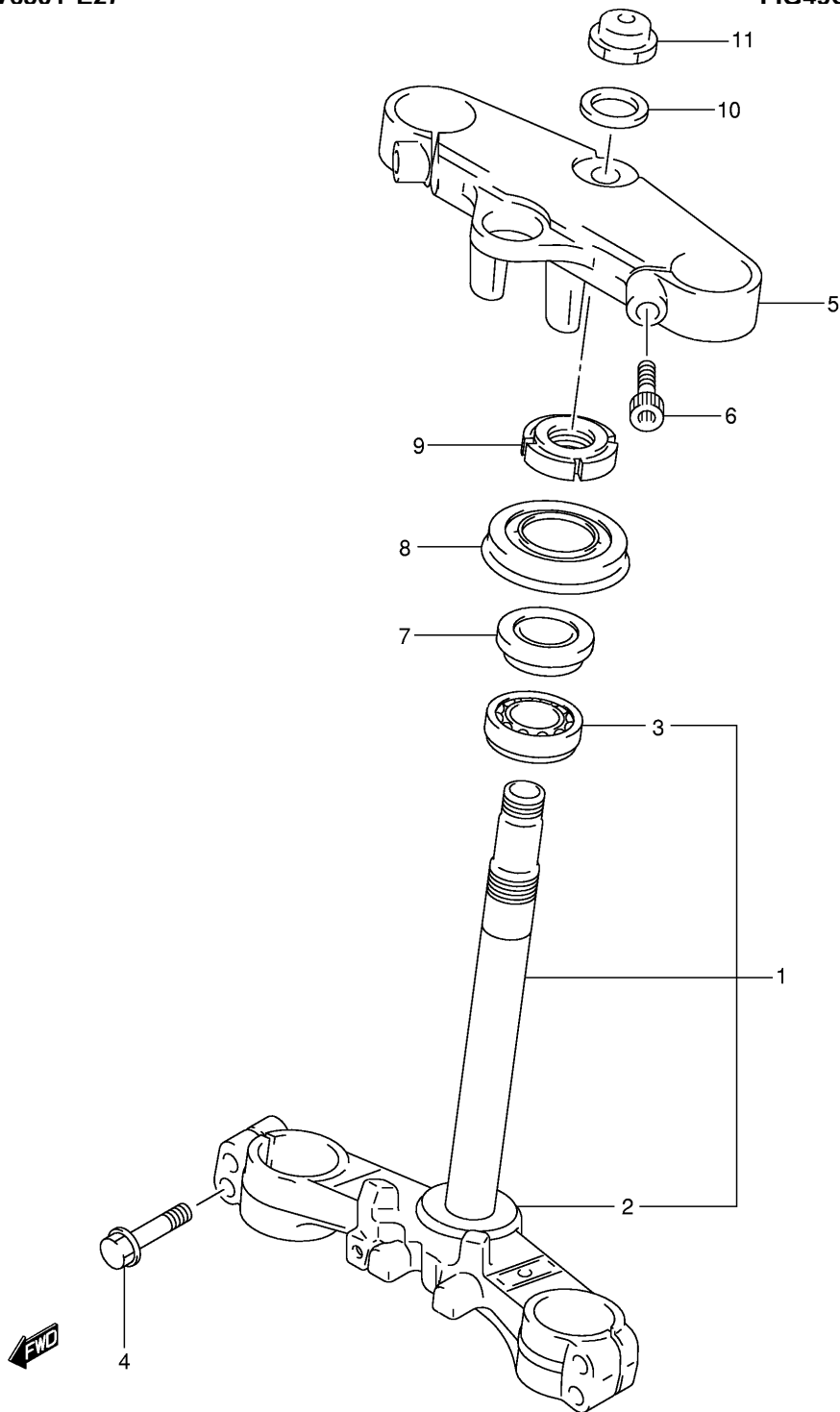
Ref No	Part No	Description
1	51410-19F10	Stem, Steering
2	51644-12C00	• Seal, Steering Lower
3	09267-30010	• Bearing (30x55x17)
4	01550-08407	Bolt
5	51311-19F10	Head, Steering Stem
6	51328-03FA0	Bolt
7	09250-06011	Cap
8	56211-45C50	Holder, Handle Upper
9	07130-08307	Bolt
10	09164-08015	Washer
11	56221-03FA0	Holder, Handle Lower
12	51321-03FA0	Bolt
13	08319-31107	Nut
14	09267-25009	Bearing (25x47x15)
15	09285-34009	Oil Seal (34x69x11.9)
16	51631-28000	Nut, Steering Stem
17	51530-19F00	Bracket, Headlamp Housing Rh
18	51540-19F00	Bracket, Headlamp Housing Lh
19	51553-38C00	Damper, Headlamp Housing Brkt
20	51851-19F00	Stay, Headlamp Housing Rh
21	51861-19F00	Stay, Headlamp Housing Lh
22	09139-06027	Screw (6x12)
23	51356-10D03	Washer
24	51353-28A10	Nut



Ref No	Part No	Description
1	51410-19F00	Stem, Steering
2	51644-12C00	• Seal, Steering Lower
3	09267-30010	• Bearing (30x55x17)
4	01550-08407	Bolt
5	51311-19F00	Head, Steering Stem
6	51328-03FA0	Bolt
7	09267-25009	Bearing (25x47x15)
8	09285-34009	Oil Seal (34x69x11.9)
9	51631-28000	Nut, Steering Stem
10	51356-10D03	Washer
11	51353-28A10	Nut

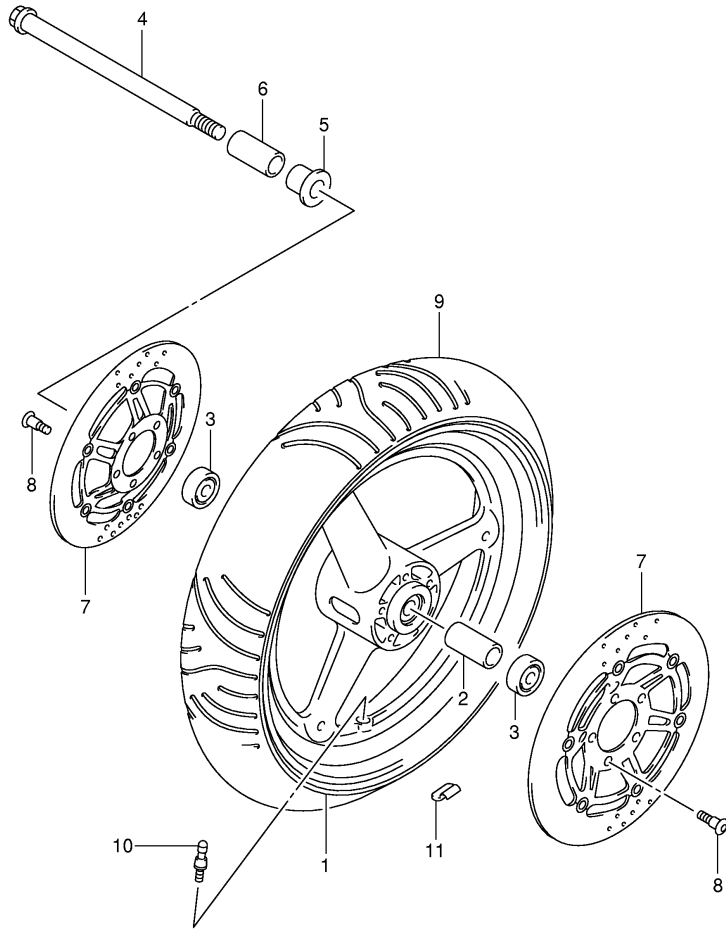


Ref No	Part No	Description
1	51410-20F40	Stem, Steering
2	51644-12C00	• Seal, Steering Lower
3	09267-30010	• Bearing (30x55x17)
4	01550-08407	Bolt
5	51311-19F10	Head, Steering Stem
6	51328-03FA0	Bolt
7	09250-06011	Cap
8	56211-42F00	Holder, Handle Upper
9	07130-08307	Bolt
10	56221-03FA0	Holder, Handle Lower
11	51321-03FA0	Bolt
12	08319-31107	Nut
13	09267-25009	Bearing (25x47x15)
14	09285-34009	Seal, Steering Dust, upper
15	51631-31F00	Nut, Steering Stem
16	51530-19F10	Bracket, Headlamp Housing Rh
17	51540-19F10	Bracket, Headlamp Housing Lh
18	51553-38C00	Damper, Headlamp Housing Brkt
19	51851-19F00	Stay, Headlamp Housing Rh
20	51861-19F00	Stay, Headlamp Housing Lh
21	09139-06027	Screw (6x12)
22	51356-10D03	Washer
23	51353-28A10	Nut



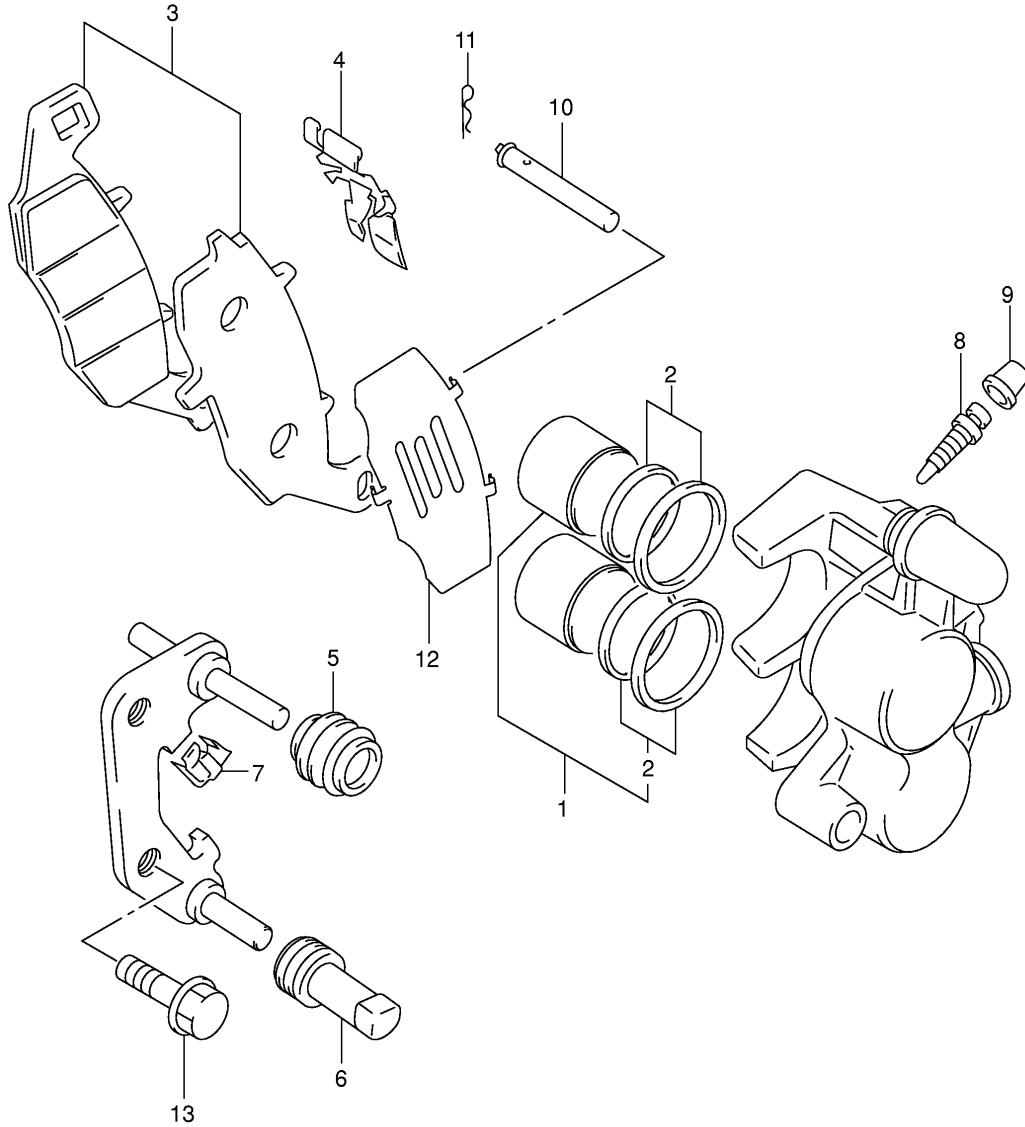
Ref No	Part No	Description
1	51410-20F30	Stem, Steering
2	51644-12C00	• Seal, Steering Lower
3	09267-30010	• Bearing (30x55x17)
4	01550-08407	Bolt
5	51311-19F00	Head, Steering Stem
6	51328-03FA0	Bolt
7	09267-25009	Bearing (25x47x15)
8	09285-34009	Oil Seal (34x69x11.9)
9	51631-28000	Nut, Steering Stem
10	51356-10D03	Washer
11	51353-28A10	Nut

FIG.50



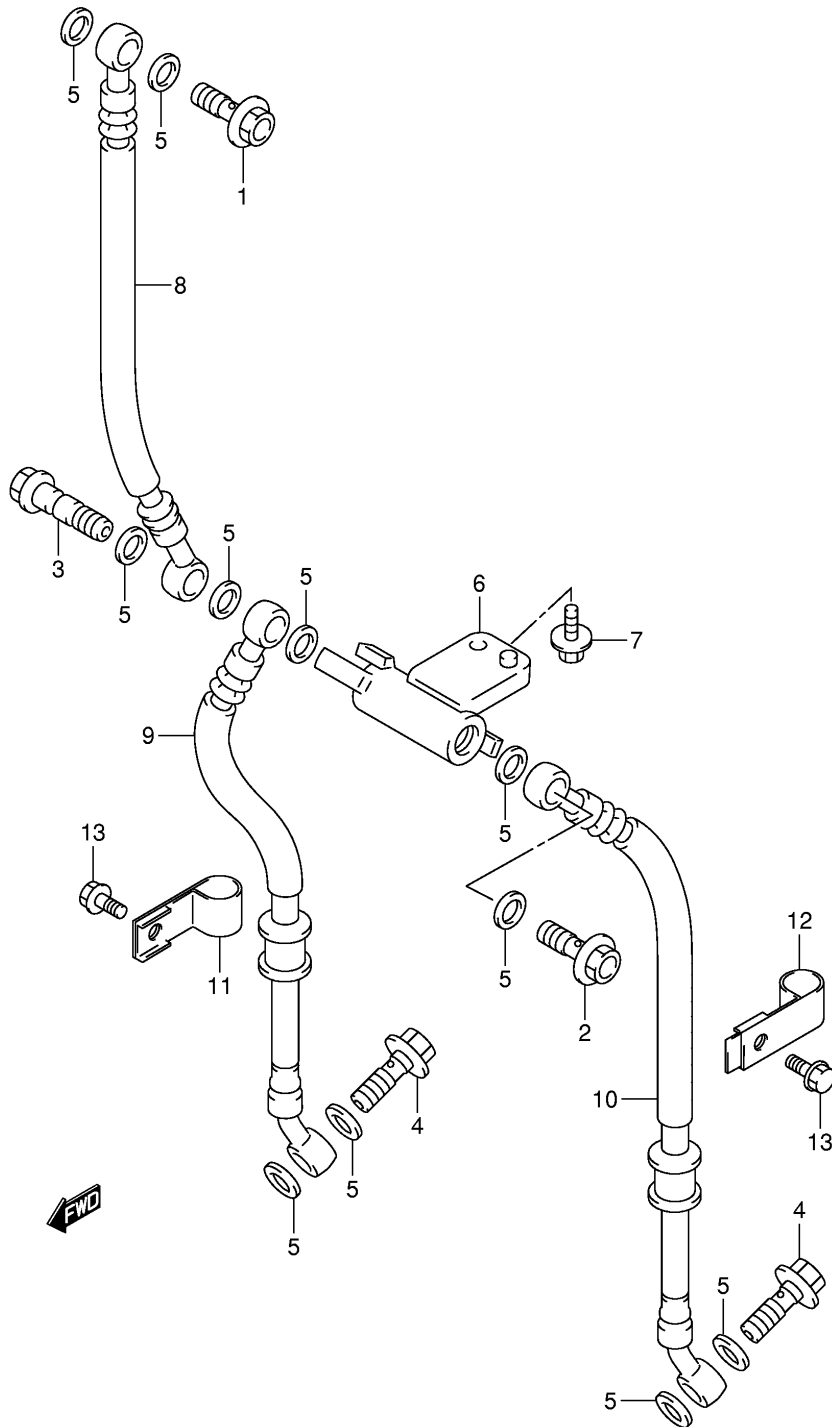
Ref No	Part No	Description
1	54111-03FA0-Y6G	Wheel, Front (17xmt3.50) (silver)
2	09180-17094	Spacer (17.5x22.5x73)
3	08133-62037	Bearing, Rh
4	54711-07F00	Axle, Front
5	54740-32C00	Spacer, Front Axle Rh
6	54741-03FA0	Spacer, Front Axle Rh
7	59210-08F00	Disc, Front Brake
8	09106-08125	Bolt (8x33)
9	55110-20F00	Tire, Front,120/60 Zr17(55w) (metzeler)
10	43130-24A00	Valve Assy, Wheel Rim (tr412)
11	55411-00A00	Balancer, Wheel (10g)
11	55412-00A01	Balancer, Wheel (20g)

SV650Y E02_050
 FRONT WHEEL

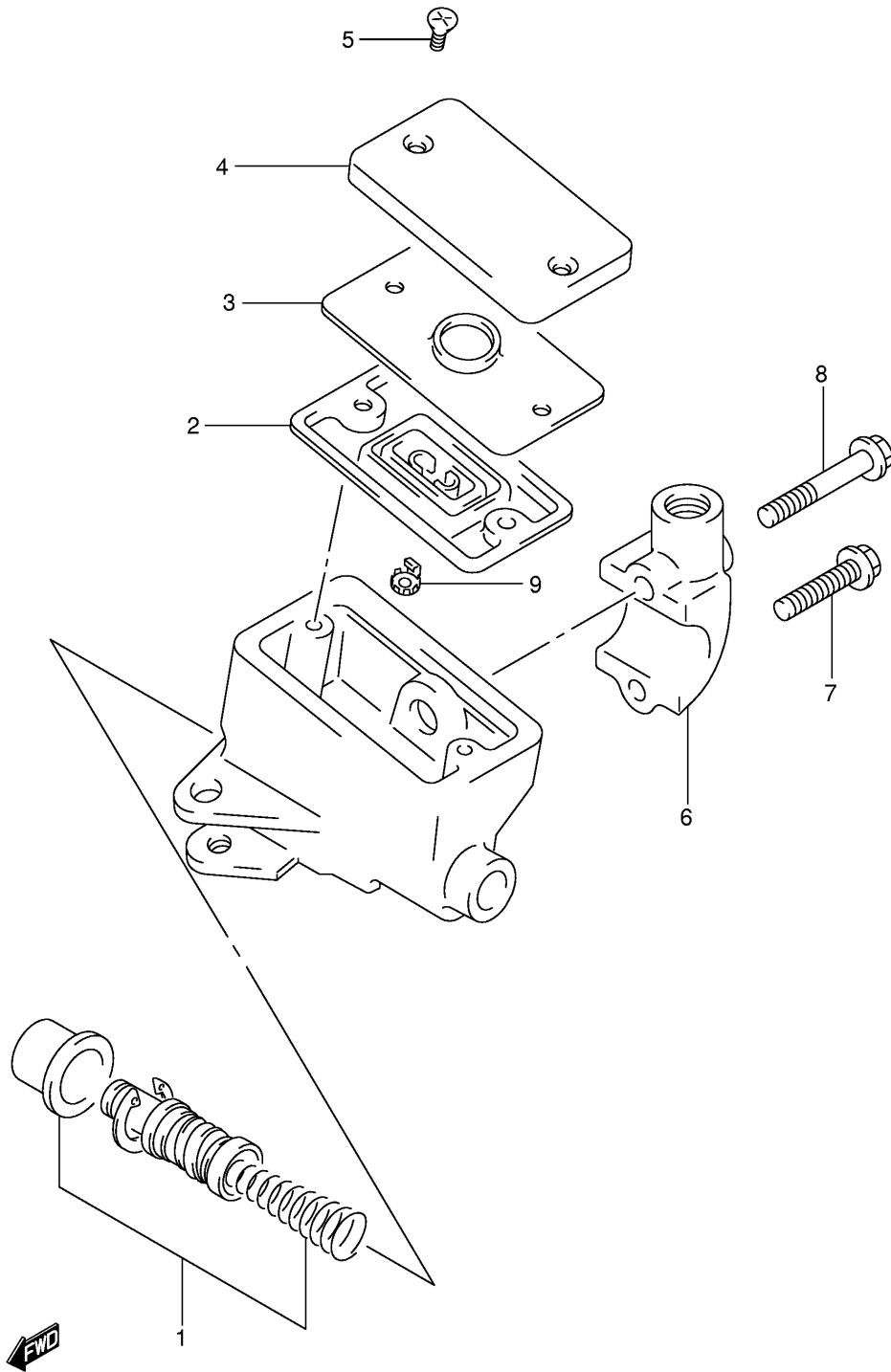


Ref No	Part No	Description
	59100-33D80	Caliper Assy, Front Rh
	59300-33D80	Caliper Assy, Front Lh
1	59300-33830	. Piston Set
2	59300-33840	••• Seal Set, Piston
3	59101-33850	. Pad Set, Rh
3	59301-33850	. Pad Set, Lh
4	59115-33D00	. Spring Rh
4	59315-33D00	. Spring Lh
5	59112-44B00	. Boot
6	59313-36500	. Insulator
7	59116-33D00	. Guide
8	59121-18410	. Bleeder
9	55156-66310	. Cap
10	59141-44B01	. Pin
11	69142-45000	. Clip
12	59171-33D00	. Shim
13	01550-10253	Bolt

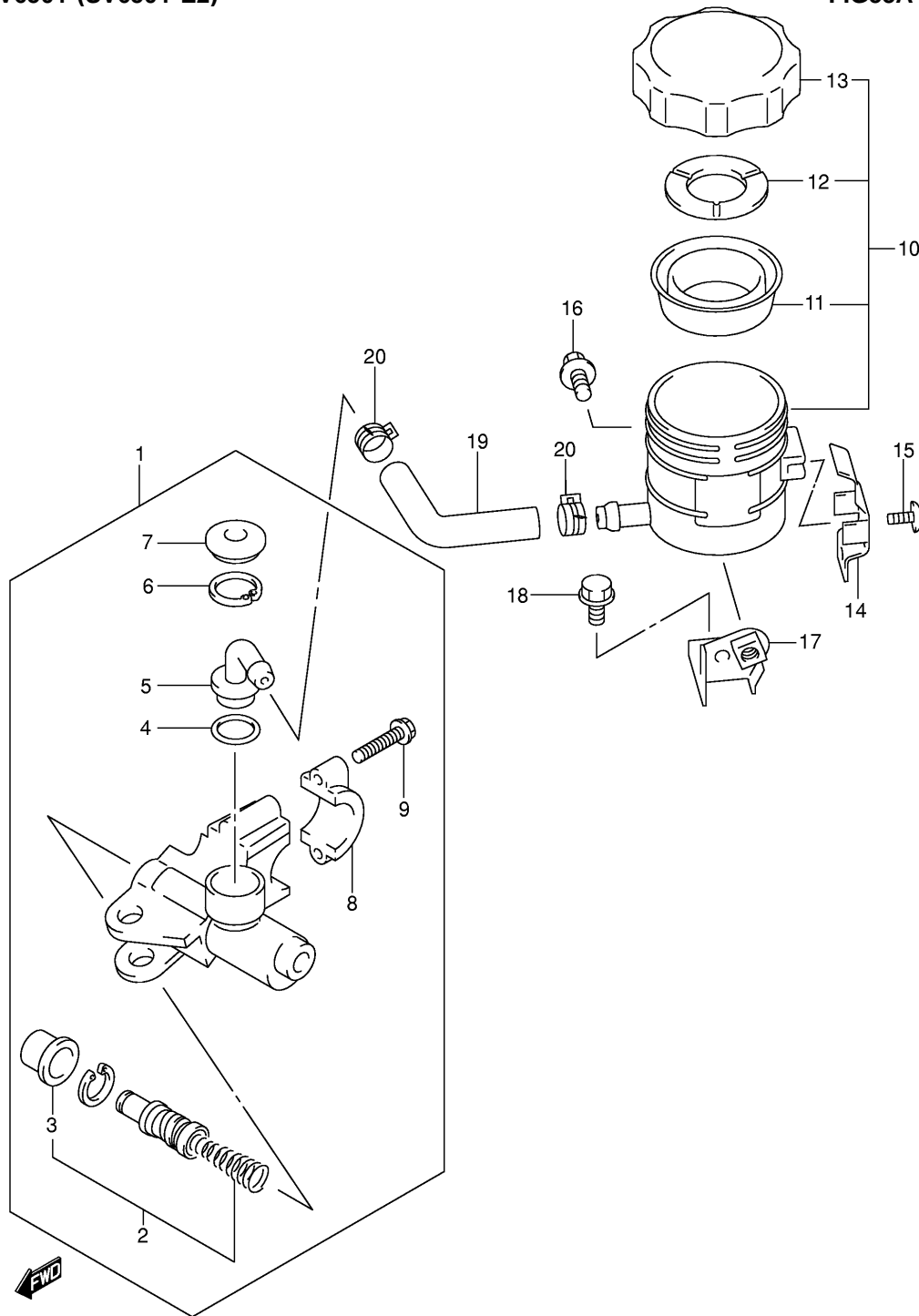




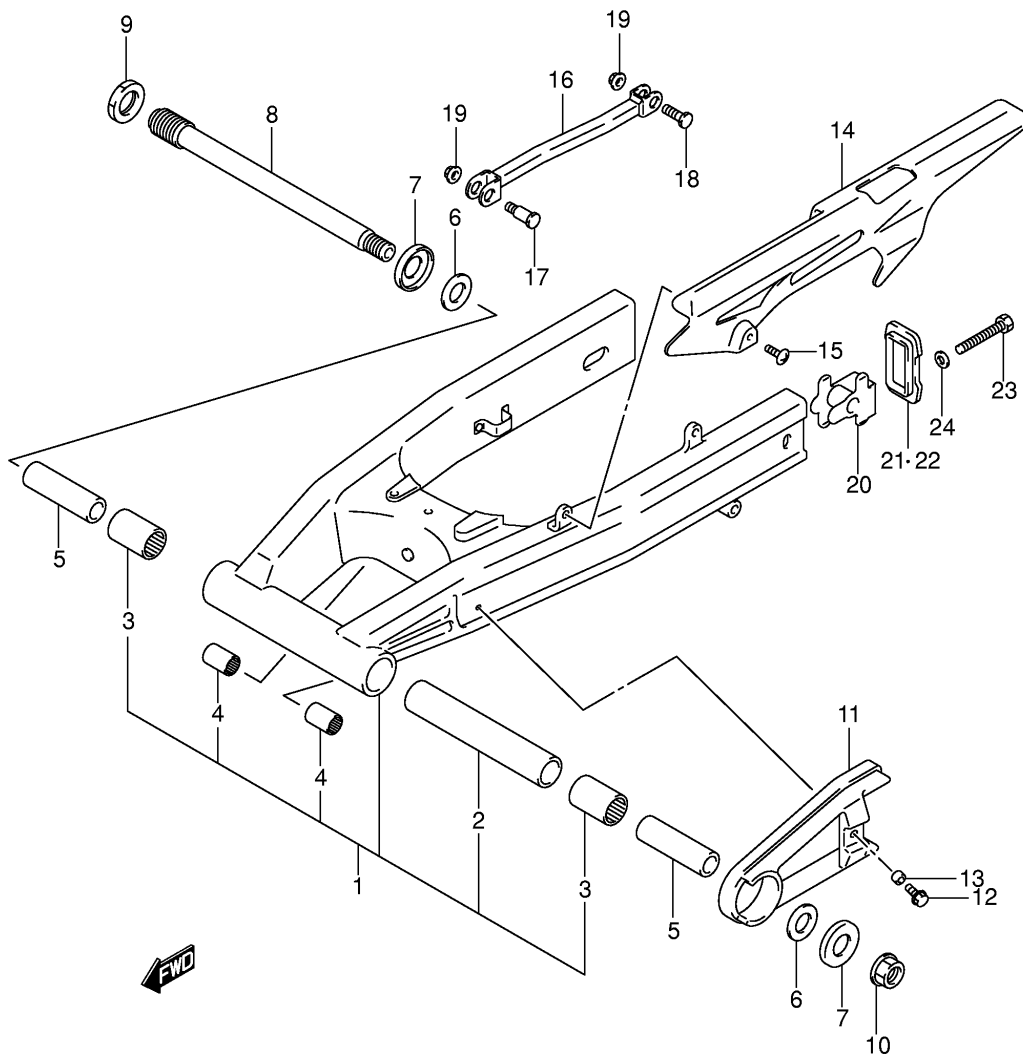
Ref No	Part No	Description
1	09360-10041	Bolt, Upper (10x1.00x22)
2	09360-10041	Bolt, Joint (10x1.00x22)
3	09360-10043	Bolt (10x1.00x36)
4	09360-10042	Bolt, Lower (10x1.25x22)
5	09161-10009	Washer (10x15x1.5)
6	59491-17E00	Joint, Brake Hose
7	01550-06163	Bolt
8	59480-20F00	Hose, Front Brake No.1
9	59240-20F00	Hose, Front Brake No.2 Rh
10	59440-20F00	Hose, Front Brake No.2 Lh
11	59268-45D00	Clamp, Brake Hose No.2 Rh
12	59269-20F00	Clamp, Brake Hose No.2 Lh
13	01550-06123	Bolt



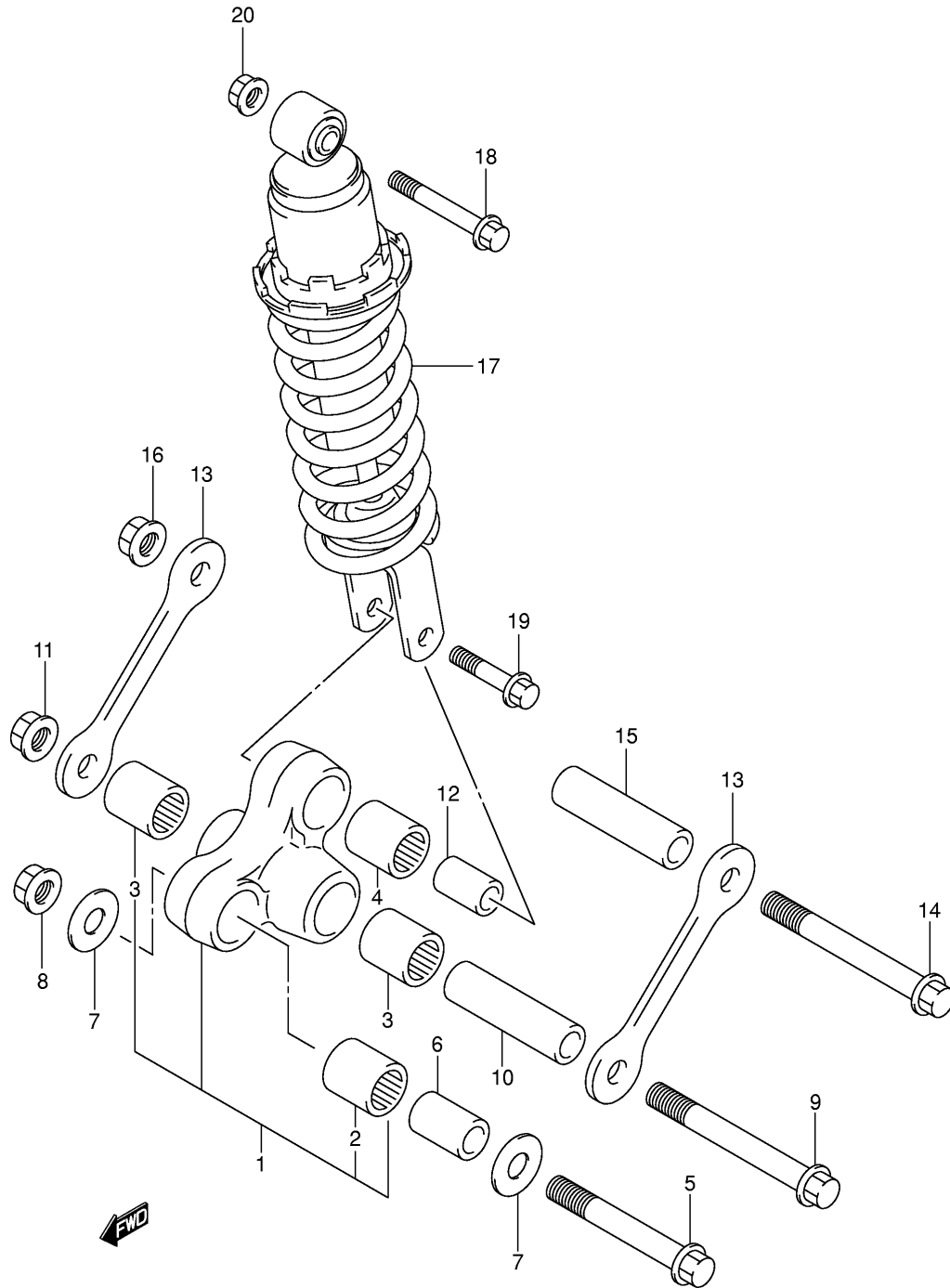
Ref No	Part No	Description
	59600-20C20	Cylinder Assy, Front Master
1	59600-45860	• Piston/cup Set
2	59667-49460	• Diaphragm
3	59668-41C00	• Plate, Diaphragm
4	59669-41C00	• Cap
5	69689-49300	• Screw
6	59671-44300	• Holder
7	59675-19C00	• Bolt, Holder (6x25)
8	59675-19C10	• Bolt, Holder (6x38)
9	59664-48B00	• Protector



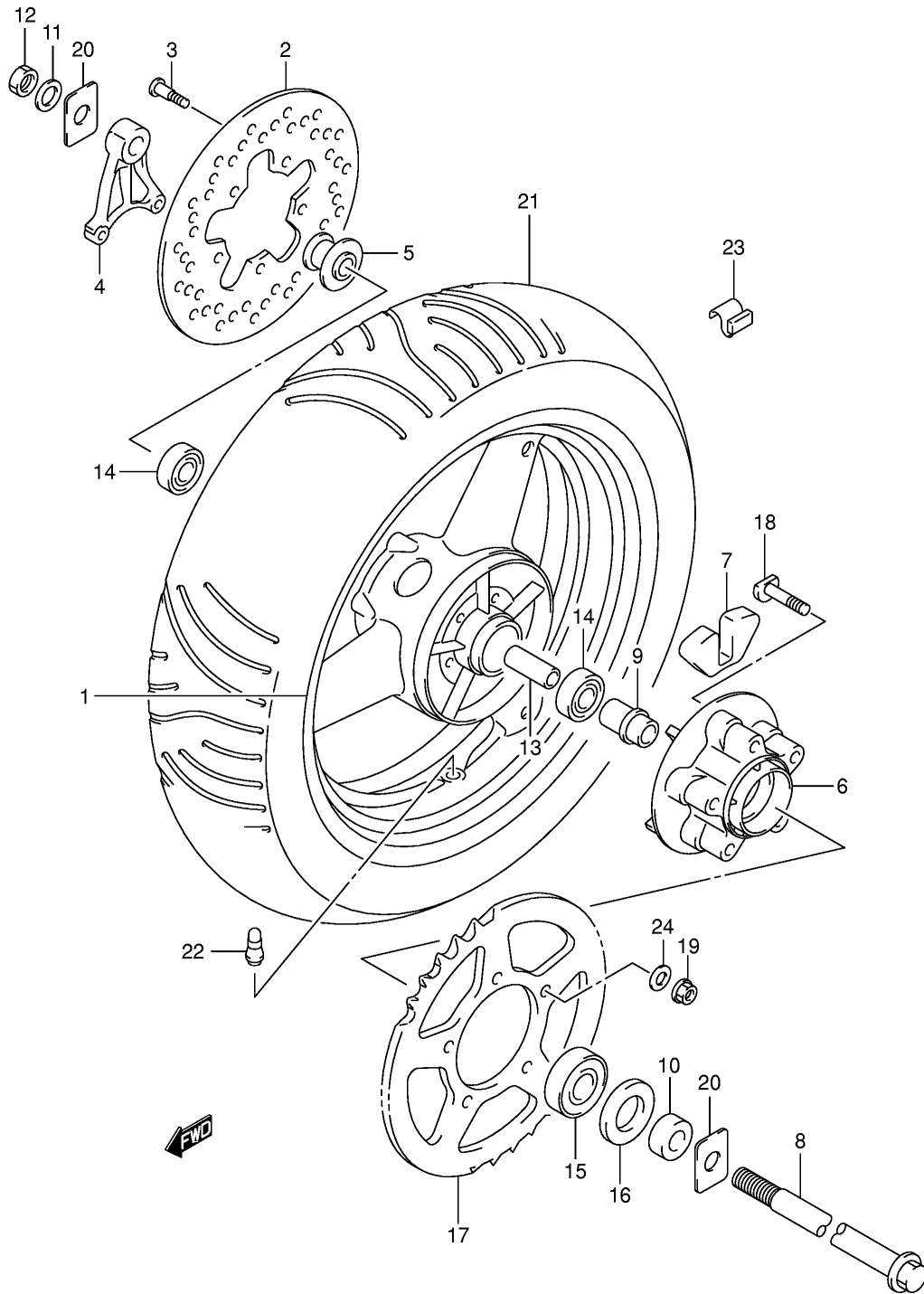
Ref No	Part No	Description
1	59600-32C01	Cylinder Assy, Front Master
2	59600-45860	. Piston/cup Set
3	59666-44300	•• . Boot
4	69686-34200	. O Ring
5	59672-17C00	. Connector
6	69674-00B20	. Circlip
7	59673-17C00	. Cover, Dust
8	59671-36500	. Holder (black)
9	59675-19C00	. Bolt, Holder (6x25)
10	59740-07D00	Tank Assy, Reservoir
11	59667-18441	. Diaphragm
12	59668-18441	. Plate, Diaphragm
13	59669-07D00	. Cap
14	59743-17C00	Plate, Reservoir Tank Cap
15	02142-04103	Screw
16	01550-06123	Bolt
17	59750-33E01	Bracket, Reservoir Tank Front
18	01550-06123	Bolt
19	59731-32C00	Hose, Front Reservoir Tank
20	59735-17C00	Clamp, Reservoir Tank



Ref No	Part No	Description
1	61000-19F01	Swinging Arm Assy, Rear
2	61281-19F00	. Spacer, Pivot Center
3	09263-25024	. Bearing, Pivot (25x33x30)
4	09263-20071	. Bearing, Rod (20x27x23.5)
5	61251-21E00	Spacer, Pivot
6	08211-20381	Thrust Washer
7	61262-17C00	Dust Seal, Pivot
8	61211-19F00	Shaft, Pivot
9	61214-19F00	Nut, Pivot Bolt
10	08319-31188	Nut
11	61273-19F00	Buffer, Chain Touch Defense
12	09116-06152	Bolt (6x20)
13	09180-06283	Spacer (6.5x10x7)
14	61310-19F00	Case, Chain
15	09139-06083	Screw (6x16)
16	64310-19F00	Torque Link, Rear
17	09111-10051	Bolt, Front (10x39)
18	09100-10187	Bolt, Rear (10x34)
19	08319-31107	Nut
20	61410-33D00	Adjuster, Chain
21	61421-33D01	Plate, Adjuster Guide Rh
22	61422-33D01	Plate, Adjuster Guide Lh
23	09106-08119	Bolt (8x50)
24	09164-08015	Washer

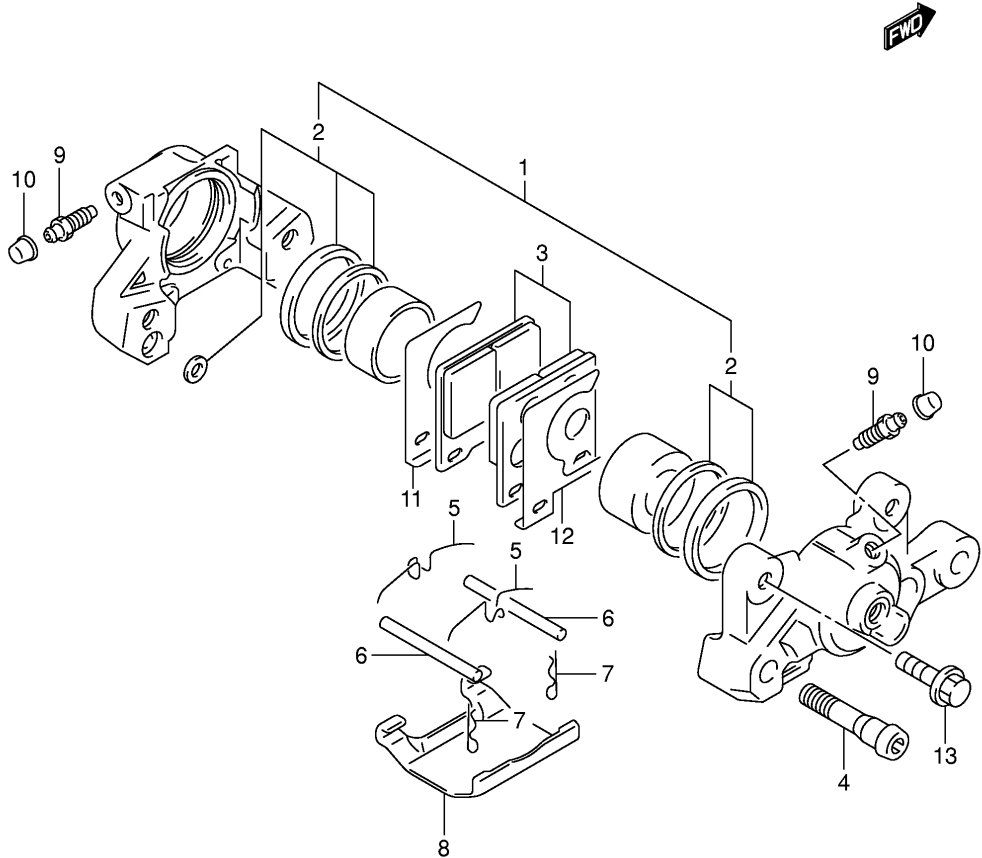


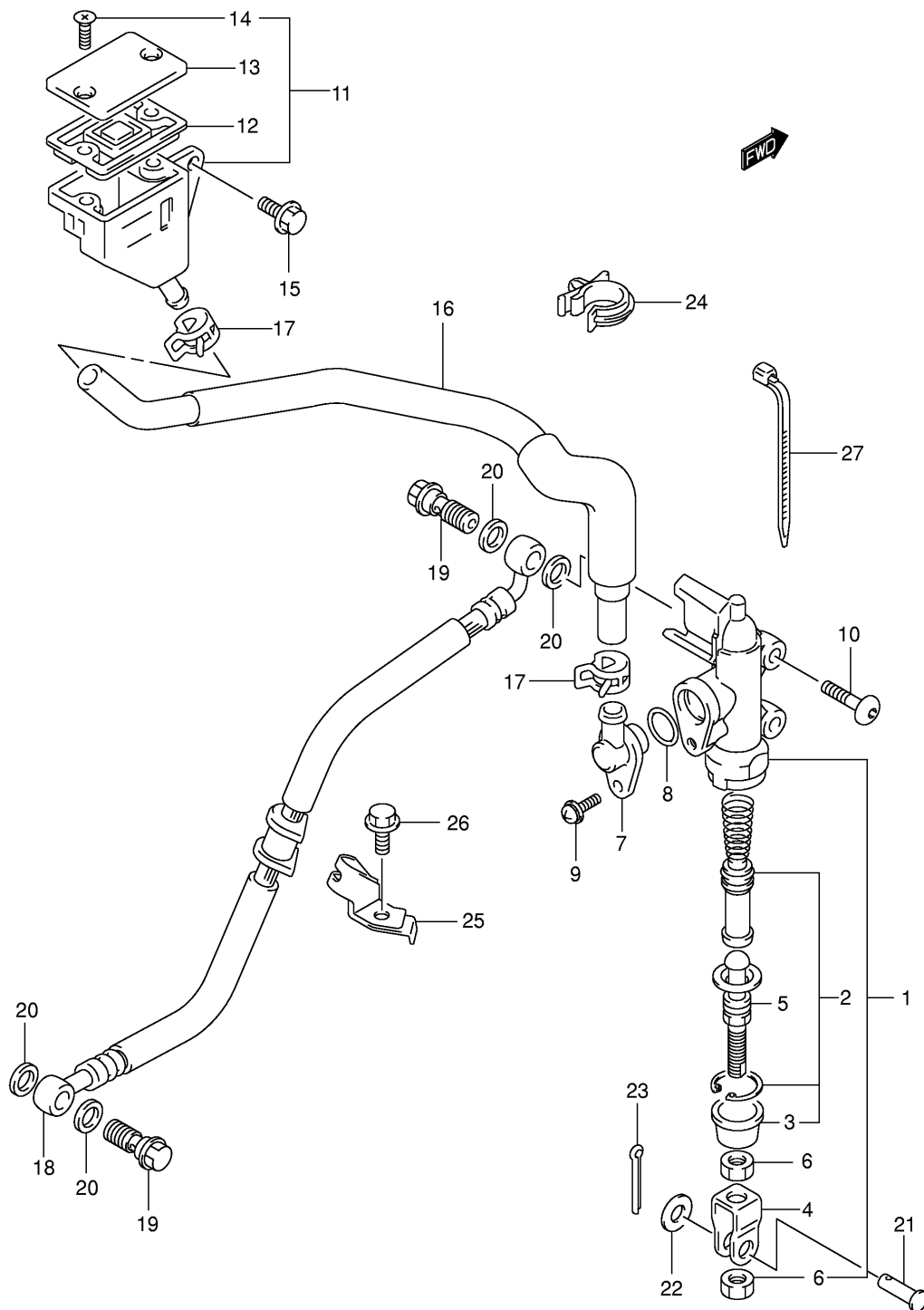
Ref No	Part No	Description
1	62600-19880	Lever Set, Rear Cushion
2	09263-20073	. . Bearing, Front (20x27x30)
3	09263-20071	. . Bearing, Center (20x27x23.5)
4	09263-17034	. . Bearing, Rear (17x24x26)
5	62658-19F00	Bolt, Front (12x78)
6	62684-12C00	Spacer, Front (12x20x32)
7	09160-12037	Washer
8	08319-31128	Nut
9	09103-12034	Bolt, Center (12x96)
10	62626-19F00	Spacer, Center (12x20x68)
11	08319-31128	Nut
12	62684-40A10	Spacer, Rear (10x17x30)
13	62641-20F00	Rod, Rear Cushion
14	09103-12034	Bolt, Rod (12x96)
15	62626-19F00	Spacer, Rod (12x20x68)
16	08319-31128	Nut
17	62100-20F00-163	Absorber Assy, Rear Shock (yellow)
18	09103-10033	Bolt, Upper (10x70)
19	09103-10126	Bolt, Lower (10x48)
20	08319-31107	Nut



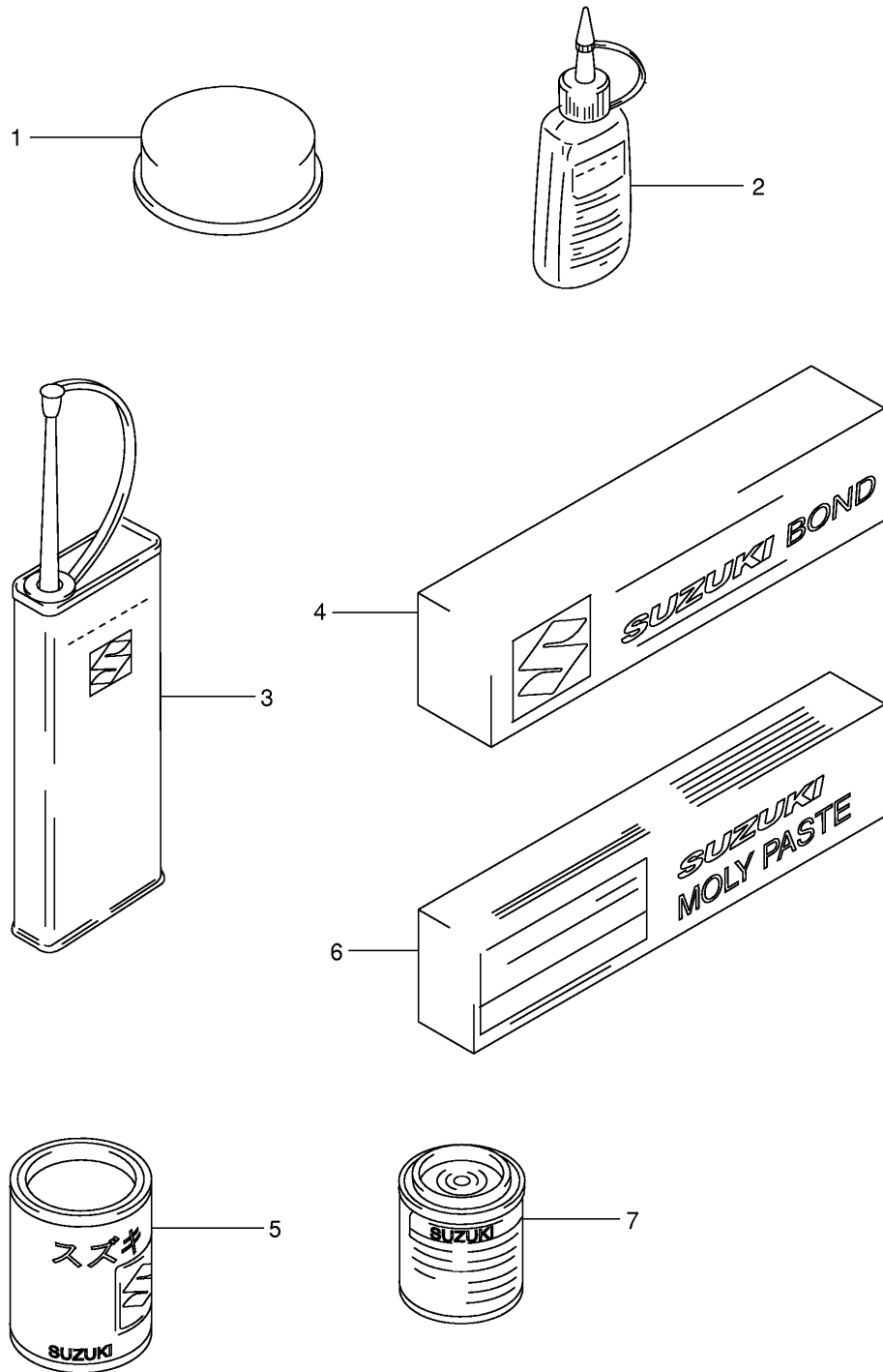
Ref No	Part No	Description	
1	64111-08F00-Y6G	Wheel, Rear (17xmt4.50)	(silver)
2	69211-21E00	Disc, Rear Brake	
3	09106-08125	Bolt (8x33)	
4	69721-33D00	Bracket, Rear Caliper	
5	64740-19C00	Spacer, Rear Axle Rh	
6	64611-19F00	Drum, Sprocket Mounting	
7	64651-27A01	Absorber, Shock Rear Hub	
8	64711-19F00	Axle, Rear	
9	64733-34C00	Retainer, Rear Sprocket Drum	
10	64741-45D00	Spacer, Rear Axle Lh	
11	09160-17050	Washer	
12	08319-21168	Nut	
13	09180-17067	Spacer (17.5x25x88)	
14	08143-63037	Bearing	
15	09262-25073	Bearing (25x62x17)	
16	09285-35001	Oil Seal (35x62x8)	
17	64511-33C01	Sprocket, Rear (nt:44-525)	
18	09119-10043	Bolt (10x47)	
19	08319-31107	Nut	
20	64712-33D00	Washer, Chain Adjuster	
21	65110-20F00	Tire, Rear,160/60 Zr17(69w)	(metzeler)
22	43130-24A00	Valve Assy, Wheel Rim (tr412)	
23	55411-00A00	Balancer, Wheel (10g)	
23	55412-00A01	Balancer, Wheel (20g)	
24	09160-10506	Washer	

Ref No	Part No	Description
	69100-05CD0	Caliper Assy, Rear
1	69100-05850	. Piston Set
2	69100-32820	• . Seal Set, Piston
3	69100-21820	. Pad Set
4	59145-05C50	. Bolt
5	59143-16700	. Spring
6	69141-45000	. Pin
7	69142-45000	. Clip
8	59151-16701	. Cover
9	59121-18410	. Bleeder
10	55156-66310	. Cap
11	59371-20C00	. Shim, Inner
12	59381-20C00	. Shim, Outer
13	01550-08303	Bolt





Ref No	Part No	Description
1	69600-33C00	Cylinder Assy, Rear Master
2	69600-04820	. Piston/cup Set
3	69691-00A00	• • Boot
4	69692-27A30	. Yoke
5	69670-48B00	. Rod, Push
6	69693-05A00	. Nut
7	69672-05A00	. Connector
8	69686-34200	. O Ring
9	02112-74123	. Screw
10	09139-06028	Screw (6x20)
11	69740-19F00	Tank Assy, Reservoir
12	59667-04700	. Diaphragm
13	59669-05D00	. Cap
14	69689-04A00	. Screw
15	01550-06123	Bolt
16	69730-19F00	Hose, Reservoir Tank
17	09401-13417	Clip
18	69480-19F00	Hose, Rear Brake
19	09360-10041	Union Bolt (10x1.00x22)
20	09161-10009	Washer (10x15x1.5)
21	09200-06037	Pin
22	08322-01063	Washer
23	04111-20158	Cotter Pin
24	09403-16307	Clamp
25	69268-19F00	Clamp, Rear Brake Hose
26	01547-06163	Bolt
27	09407-18402	Clamp



Ref No	Part No	Description
1	99000-25110	Suzuki Pbc Grease
2	99000-32020	Thread Lock Super (1333b)
2	99000-32030	Thread Lock Super (1303b)
2	99000-32050	Thread Lock Super (1342)
2	99000-32100	Thread Lock Super (1305)
2	99000-32130	Thread Lock Super (1360)
3	99000-32040	Thread Lock Cement
4	99000-31140	Suzuki Bond (1207b) Black
4	99000-31110	Suzuki Bond (1215)
5	99000-25030	Suzuki Super Grease
6	99000-25140	Suzuki Moly Paste
7	99000-10209-Y7E	Paint (candy Jay Blue)
7	99000-10209-Y7L	Paint (saturn Black Metallic)
7	99000-10209-Y7M	Paint (pearl Helios Red)
7	99000-10209-Y9F	Paint (pearl Canyon Yellow)
7	99000-10209-35W	Paint (charcoal Gray Metallic)
7	99000-10209-13L	Paint (bright Silver Metallic)
7	99000-10209-YC2	Paint (candy Grand Blue)
7	99000-10209-YEX	Paint (candy Grand Blue)
7	99000-10209-YFX	Paint (saturn Black Metallic)
7	99000-10209-19A	Paint (candy Antares Red)
7	99000-10209-Y9H	Paint (pearl Lively Yellow)
7	99000-10209-YD8	Paint (sonic Silver Metallic)

Free Manuals Download Website

<http://myh66.com>

<http://usermanuals.us>

<http://www.somanuals.com>

<http://www.4manuals.cc>

<http://www.manual-lib.com>

<http://www.404manual.com>

<http://www.luxmanual.com>

<http://aubethermostatmanual.com>

Golf course search by state

<http://golfingnear.com>

Email search by domain

<http://emailbydomain.com>

Auto manuals search

<http://auto.somanuals.com>

TV manuals search

<http://tv.somanuals.com>