

Varistors(SMD) For High-speed Differential Signal Line

Conformity to RoHS Directive

AVF16 Series

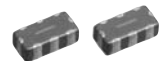
A low-voltage varistor applicable in high frequencies has been manufactured by using TDK circuit and material technology.

FEATURES

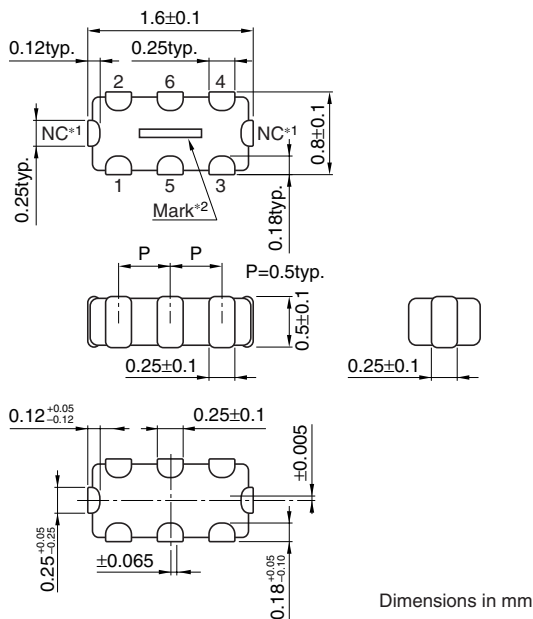
- Chip size: 1608 (L1.6×W0.8mm), applicable in 2 Line-in 1 (2in1) differential line.
- 2GHz or more of cutoff frequency in differential mode (Sdd21).
- Superior electrostatic absorption characteristics due to reduction of varistor voltage.
- Meeting Electrostatic Discharge Test IEC61000-4-2, HBM (human body model) contact 8kV.

APPLICATIONS

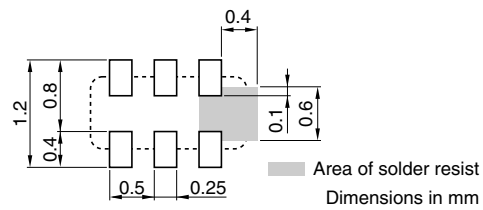
- Protective circuit for high-speed differential signal from static electricity
- HDMI, USB, IEEE1394, etc.



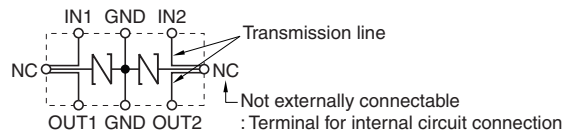
SHAPES AND DIMENSIONS



RECOMMENDED PC BOARD PATTERNS



CIRCUIT DIAGRAM



*1 Do not solder the terminal NC(not connected) with land etc.
 *2 Mark is unrelated to the polarity (directionality) of the terminal.

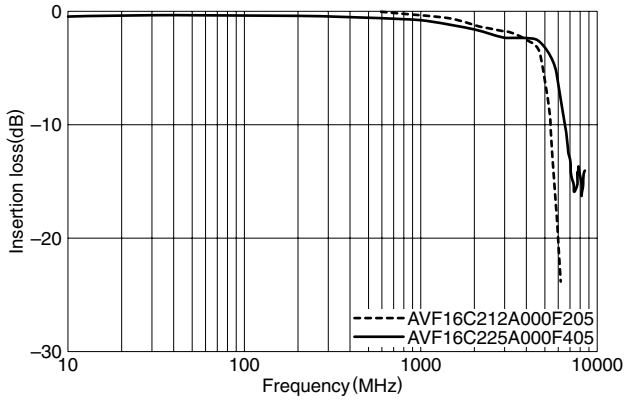
ELECTRICAL CHARACTERISTICS

Part No.	Varistor voltage V _{1mA} (V)	Maximum continuous voltage Edc(V)	Cut-off frequency [Sdd21] (GHz)
AVF16C212A000F205	12	5.5	2 min.
AVF16C225A000F405	25	5.5	4 min.

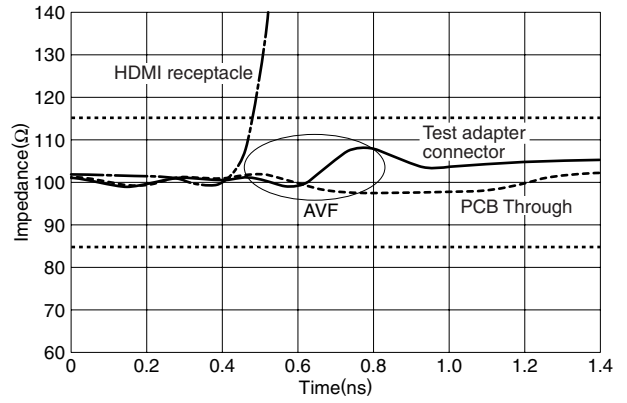
• Conformity to RoHS Directive: This means that, in conformity with EU Directive 2002/95/EC, lead, cadmium, mercury, hexavalent chromium, and specific bromine-based flame retardants, PBB and PBDE, have not been used, except for exempted applications.

• All specifications are subject to change without notice.

TYPICAL ELECTRICAL CHARACTERISTICS
DIFFERENTIAL MODE FREQUENCY CHARACTERISTICS
[Sdd21]



TDR(Leading edge of pulse: 200ps)
AVF16C225A000F405



• All specifications are subject to change without notice.

Free Manuals Download Website

<http://myh66.com>

<http://usermanuals.us>

<http://www.somanuals.com>

<http://www.4manuals.cc>

<http://www.manual-lib.com>

<http://www.404manual.com>

<http://www.luxmanual.com>

<http://aubethermostatmanual.com>

Golf course search by state

<http://golfingnear.com>

Email search by domain

<http://emailbydomain.com>

Auto manuals search

<http://auto.somanuals.com>

TV manuals search

<http://tv.somanuals.com>