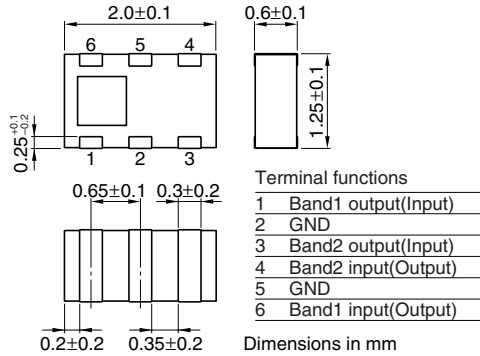


# Multilayer Chip Low Pass Filters For GSM/DCS/PCS 2in1

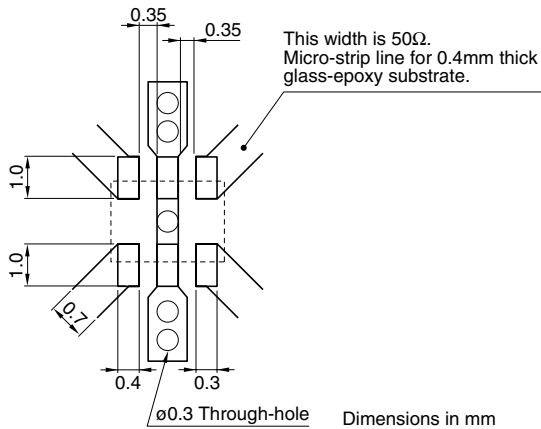
Conformity to RoHS Directive

DEA Series DEA201990LT-9003D1

## SHAPES AND DIMENSIONS



## RECOMMENDED PC BOARD PATTERNS



• Conformity to RoHS Directive: This means that, in conformity with EU Directive 2002/95/EC, lead, cadmium, mercury, hexavalent chromium, and specific bromine-based flame retardants, PBB and PBDE, have not been used, except for exempted applications.

• All specifications are subject to change without notice.

## ELECTRICAL CHARACTERISTICS

### A-GSM+E-GSM(Band1)

Item		Minimum value	Typical value	Maximum value
Frequency range	[824 to 915MHz]			
Characteristics impedance	50Ω(Nominal)			
Insertion loss	(dB)	—	0.4	1
Return loss	(dB)	10	14	—
Attenuation	[1648 to 1698MHz]	(dB)	30	—
	[1760 to 1830MHz]	(dB)	30	—
	[2472 to 2547MHz]	(dB)	35	—
	[2640 to 2745MHz]	(dB)	35	—
Temperature range	Operating	(°C)	—	+85
	Storage	(°C)	—	+85

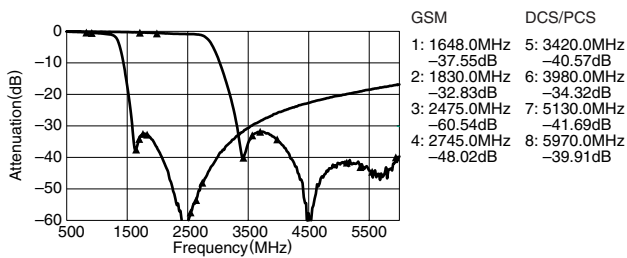
### DCS+PCS(Band2)

Item		Minimum value	Typical value	Maximum value
Frequency range	[1710 to 1990MHz]			
Characteristics impedance	50Ω(Nominal)			
Insertion loss	(dB)	—	0.48	1
Return loss	(dB)	10	12	—
Attenuation	[3420 to 3570MHz]	(dB)	30	—
	[3700 to 3980MHz]	(dB)	30	—
	[5130 to 5355MHz]	(dB)	35	—
	[5550 to 5970MHz]	(dB)	35	—
Temperature range	Operating	(°C)	—	+85
	Storage	(°C)	—	+85

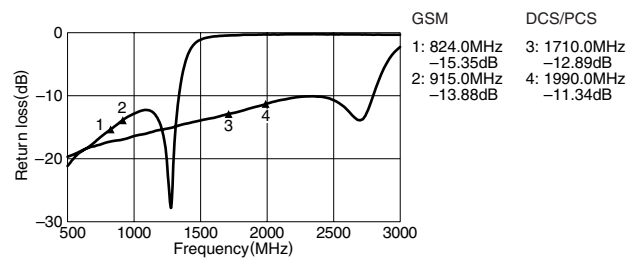
• Ta: 25±5°C

## FREQUENCY CHARACTERISTICS

### ATTENUATION



### RETURN LOSS



• All specifications are subject to change without notice.

## Free Manuals Download Website

<http://myh66.com>

<http://usermanuals.us>

<http://www.somanuals.com>

<http://www.4manuals.cc>

<http://www.manual-lib.com>

<http://www.404manual.com>

<http://www.luxmanual.com>

<http://aubethermostatmanual.com>

Golf course search by state

<http://golfingnear.com>

Email search by domain

<http://emailbydomain.com>

Auto manuals search

<http://auto.somanuals.com>

TV manuals search

<http://tv.somanuals.com>