

## Product Brief: Metamere iAA Series – Non-isolated Surface Mount Power Module

### Metamere iAA Series DC/DC Power Modules 3 and 5V Inputs, 15A Output Surface Mount Power Module



The Metamere Series offers a 50W power module in the industry's standard surface-mount footprint. The Metamere series utilizes a low component count that results in a low cost while still providing high performance. The open-frame, compact design provides flexibility by performing local voltage conversion of either a 5V or 3.3V bus. The low weight, surface mount design is well suited for almost any manufacturing environment.

#### Features

- **Size - 33mm x 13.5 mm x 8.5 mm (1.3 in. x 0.53 in. x 0.335 in.)**
- **Surface mountable**
- **Maximum weight 12g (0.42 oz)**
- **Up to 50W of output power in high ambient temperature, low airflow environments with minimal power derating**
- **Positive logic on/off**
- **Starts with pre-biased output**
- Output voltage adjustment
- Constant switching frequency
- Full, auto-recovery protection:
  - Input under voltage
  - Short circuit
  - Thermal limit
- Applying for UL 60950 (US and Canada), VDE 0805, CB scheme (IEC950) Safety markings

#### Optional Features

- On/Off (negative logic)

Base Product Code	Input Voltage	Output Voltage	Output Current	Efficiency
IAA05015A033V	4.5-5.5	3.3V	15A	95%
IAA05015A025V	3.0-5.5	2.5V	15A	93%
IAA05015A008V	3.0-5.5	0.75V-3.63V	15A	94%

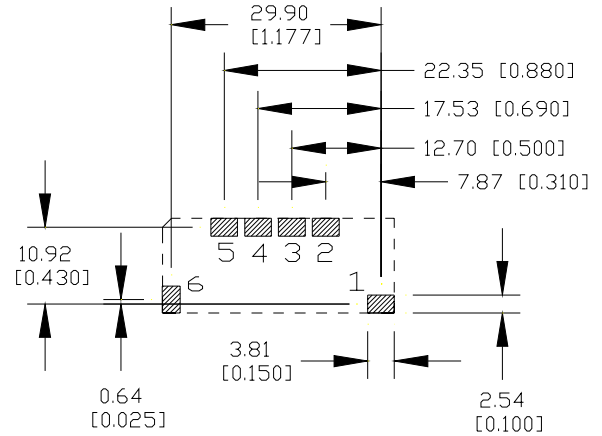
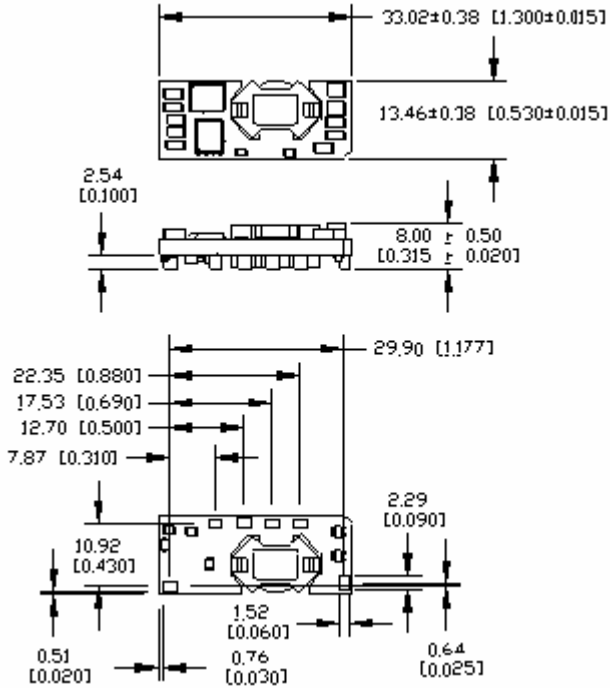
#### Typical Performance

Input Characteristics		
Operating input range	3-5.5V	Except 3.3V out (4.5-5.5)
Transient input voltage	6V	10mS max
Turn-on voltage	2.3V	
Turn-off voltage	2.1V	
Start-up time	15 mS	On/Off to 90% Vout
Maximum input current	16A	Input 0-5.5V, Io,max
Output Characteristics		
Output voltage tolerance	+/- 3.5% max	Over line, load, and temp to end of life
Efficiency	see product table	Io,max
Line regulation	2 mV	Over rated input
Load regulation	5 mV	Over rated load
Output voltage adjustment	90%-110%	%Vo,nom
Output ripple	40 mVp-p	20MHz bandwidth
Dynamic response		Load step 25% of Io,max
Transient voltage	175 mV	slew rate =2.5A/us
Recovery time	25 uS	
Ripple frequency	300 kHz	Fixed
Protection		
Current limit inception	230% of Io,rated	
Short circuit	33% of Io,rated	Auto-recovery hiccup
Environmental		
Operating temperature	-40C to 125C	Measurement point in full datasheet



## Product Brief: Metamere iAA Series – Non-isolated Surface Mount Power Module

Dimensions are in mm [inches]



Top view - Footprint

PIN	FUNCTION	PIN	FUNCTION
1	Vin	4	Trim
2	Gnd	5	Sense
3	Vout	6	On/Off

### Ordering Information

Product Identifier	Package Size	Platform	Input Voltage	Output Current/Power	Output Units	Main Output Voltage	# of Outputs	Safety Class	Feature Set
i	A	A	05	015	A	033	V	- 0	00
TDK Innoveta	33mm x 13.5 mm	Metamere SMT	3-5.5V	015 – 15	Amps	033 – 3.3V 025 – 2.5V 018 – 1.8V 015 – 1.5V 012 – 1.2V	Single		00 – Standard



3320 Matrix Drive Suite 100  
Richardson, Texas 75082

Phone (877) 498-0099 Toll Free  
(469) 916-4747  
Fax (877) 498-0143 Toll Free  
(214) 239-3101

[support@tdkinnoveta.com](mailto:support@tdkinnoveta.com)  
<http://www.tdkinnoveta.com/>

Feature Set	On/Off Logic
00	Positive
01	Negative

Information furnished by TDK Innoveta is believed to be accurate and reliable. However, TDK Innoveta assumes no responsibility for its use, nor for any infringement of patents or other rights of third parties, which may result from its use. No license is granted by implication or otherwise under any patent or patent rights of TDK Innoveta. TDK Innoveta components are not designed to be used in applications, such as life support systems, wherein failure or malfunction could result in injury or death. All sales are subject to TDK Innoveta's Terms and Conditions of Sale, which are available upon request. Specifications are subject to change without notice.

is a trademark or registered trademark of TDK Corporation.

## Free Manuals Download Website

<http://myh66.com>

<http://usermanuals.us>

<http://www.somanuals.com>

<http://www.4manuals.cc>

<http://www.manual-lib.com>

<http://www.404manual.com>

<http://www.luxmanual.com>

<http://aubethermostatmanual.com>

Golf course search by state

<http://golfingnear.com>

Email search by domain

<http://emailbydomain.com>

Auto manuals search

<http://auto.somanuals.com>

TV manuals search

<http://tv.somanuals.com>