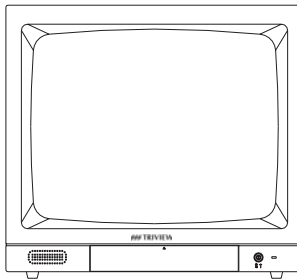


Operating Instructions

For B/W Video Monitor

TBM-0903 / TBM-1203 / TBM-1403
TBM-1503 / TBM-1703 / TBM-2003



 **TRIVIEW**

Table of Contents

1. FCC Information	- 2
2. Safety Precautions	- 2
3. General Features	- 4
4. TBM0903 Front and Rear Views	- 5
5. TBM1203 Front and Rear Views	- 6
6. TBM1403 Front and Rear Views	- 7
7. TBM1503 Front and Rear Views	- 8
8. TBM1703 Front and Rear Views	- 9
9. TBM2003 Front and Rear Views	- 10
10. Operation	- 11

FCC INFORMATION

This equipment has been tested and found to comply with the limits for a class B digital device, pursuant to Part 15 of the FCC Rules. These limits are designed to provide reasonable protection against harmful interference in a residential installation. This equipment generates, uses and can radiate radio frequency energy and, if not installed and used in accordance with the instructions, may cause harmful interference to radio communications.

However, there is no guarantee that interference will not occur in a particular installation. If this equipment does cause harmful interference to radio or television reception, which can be determined by turning the equipment off and on, the user is encouraged to try to correct the interference by one or more of the following measures:

- Reorient or relocate the receiving antenna.
- Increase the separation between the equipment and receiver.
- Connect the equipment into an outlet on a circuit different from that to which the receiver is connected.
- Consult the dealer or an experienced radio/TV technician for help.

Shielded interface cables and A.C. power cord, if any, must be used in order to comply with emission limits.

Changes or modifications not expressly approved by the party responsible for compliance could void the user's authority to operate the equipment.

SAFETY PRECAUTIONS

1. Operate this unit only from the type of power source indicated on the label.
2. Do not block or cover ventilation openings on the back or bottom of the monitor cabinet.
3. Do not place this monitor near a radiator or heating vent.
4. Do not push objects of any kind through cabinet openings. This may result in fire or electrical shock.
5. Before adding attachments always ask a service technician to perform routine safety tests to determine that equipment is in safe operating condition. Ground potential tests should be part of the routine safety check made by the service technician.
6. Do not place monitor on an unstable cart, stand, or shelf where it may fall and injure personnel or damage equipment.

7. Route power cords so that they cannot be walked upon or tripped over. Do not allow anything to rest on the power cord.
8. Do not install monitor in wet areas, or where it may be exposed to rain or water. Do not spill liquid of any kind on the unit.
9. Unplug the power cord from the unit before cleaning the display. Use only a damp cloth. Do not use alcohol, spirits, or ammonia to clean the display.
DO NOT ATTEMPT TO CLEAN THE INTERIOR OF THIS UNIT-THIS ACTION MUST BE PERFORMED BY THE SERVICE TECHNICIAN AS REQUIRED DURING NORMAL MAINTENANCE.
10. Refer all servicing to qualified service personnel. REMOVAL OF BACK COVER BY UNAUTHORIZED PERSONNEL MAY EXPOSE THE USER TO DANGEROUS VOLTAGES OR OTHER HAZARDS.
11. Unplug the unit immediately and notify the service technician.
 - A. If liquid has been spilled into the display or the display has been exposed to rain or water.
 - B. If the unit has been dropped or the cabinet damaged.
 - C. If fuses continue to blow.
 - D. If the power cord is damaged or frayed.
 - E. If a distinct change from normal operation is apparent.

When replacement parts are required, be sure that the service technician uses components specified by the manufacturer, which have the same characteristics as the original parts. Unauthorized substitutions may result in fire, electrical shock or other hazards.

Upon completion of any service or repairs, ask the technician to perform safety check to determine that the equipment is in safe operating condition.

Warning: Serious shock hazards exist within the covers of this monitor. Do not open the covers under any circumstances, there are no user serviceable components inside.

GENERAL FEATURES

1. Compatible With : EIR / CCIR
2. Scanning System : EIR 15750 /60 Hz or CCIR 15625 / 50 Hz
3. Input Signal : CVBS
4. Input Power : 100~240V AC
5. Limited twelve months warranty

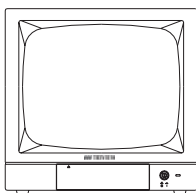
STANDARD SYSTEM COMPONENTS AND ATTACHMENTS

Monitor

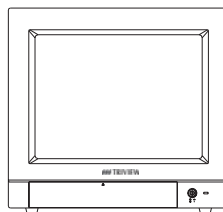
The various components and attachments are shown below:



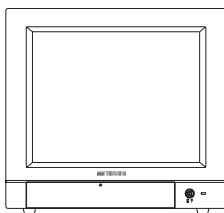
TBM-0903



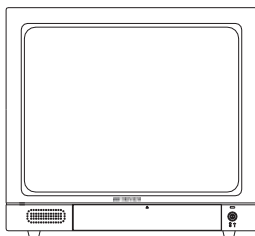
TBM-1203



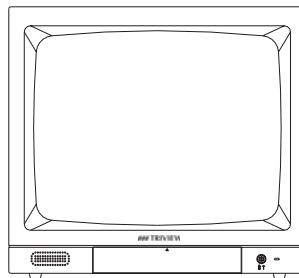
TBM-1403



TBM-1503



TBM-1703

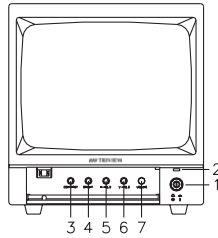


TBM-2003

TBM0903 FRONT AND REAR VIEW

Front View :

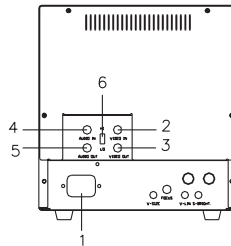
1. Power On/Off Switch
2. Power-On Indicator
3. Contrast Adjustment
4. Brightness Adjustment
5. H-HOLD Adjustment
6. V-HOLD Adjustment
7. Volume Adjustment



TBM-0903

Rear View

1. Power Inlet
2. Video Input : BNC Connector
3. Video Output : BNC Connector
4. Audio Input : RCA Jack
5. Audio Output : RCA Jack
6. Load Impedance Switch

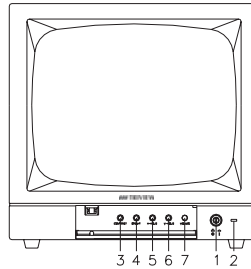


TBM-0903

TBM1203 FRONT AND REAR VIEW

Front View :

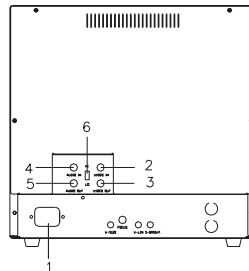
1. Power On/Off Switch
2. Power-On Indicator
3. Contrast Adjustment
4. Brightness Adjustment
5. H-HOLD Adjustment
6. V-HOLD Adjustment
7. Volume Adjustment



TBM-1203

Rear View

1. Power Inlet
2. Video Input : BNC Connector
3. Video Output : BNC Connector
4. Audio Input : RCA Jack
5. Audio Output : RCA Jack
6. Load Impedance Switch

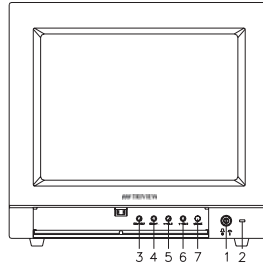


TBM-1203

TBM1403 FRONT AND REAR VIEW

Front View :

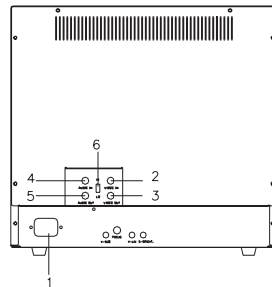
1. Power On/Off Switch
2. Power-On Indicator
3. Contrast Adjustment
4. Brightness Adjustment
5. H-HOLD Adjustment
6. V-HOLD Adjustment
7. Volume Adjustment



TBM-1403

Rear View

1. Power Inlet
2. Video Input : BNC Connector
3. Video Output : BNC Connector
4. Audio Input : RCA Jack
5. Audio Output : RCA Jack
6. Load Impedance Switch

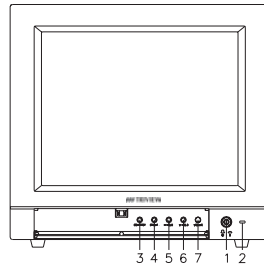


TBM-1403

TBM1503 FRONT AND REAR VIEW

Front View :

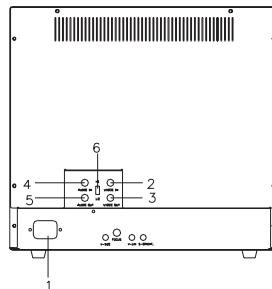
1. Power On/Off Switch
2. Power-On Indicator
3. Contrast Adjustment
4. Brightness Adjustment
5. H-HOLD Adjustment
6. V-HOLD Adjustment
7. Volume Adjustment



TBM-1503

Rear View

1. Power Inlet
2. Video Input : BNC Connector
3. Video Output : BNC Connector
4. Audio Input : RCA Jack
5. Audio Output : RCA Jack
6. Load Impedance Switch

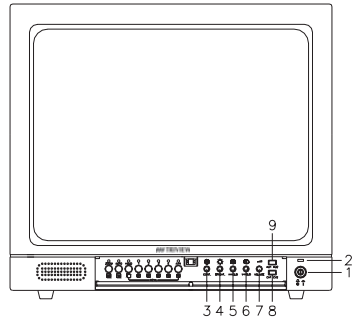


TBM-1503

TBM1703 FRONT AND REAR VIEW

Front View :

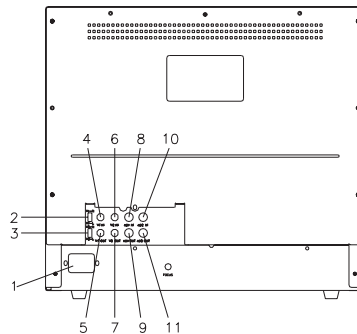
1. Power On/Off Switch
2. Power-On Indicator
3. Contrast Adjustment
4. Brightness Adjustment
5. H-HOLD Adjustment
6. V-HOLD Adjustment
7. Volume Adjustment
8. Video input Select Switch
9. Audio input Select Switch



TBM-1703

Rear View

1. Power Inlet
2. Video 1 Load Impedance Switch
3. Video 2 Load Impedance Switch
4. Video 1 Input : BNC Connector
5. Video 1 Output : BNC Connector
6. Video 2 Input : BNC Connector
7. Video 2 Output : BNC Connector
8. Audio 1 Input : RCA Jack
9. Audio 1 Output : RCA Jack
10. Audio 2 Input : RCA Jack
11. Audio 2 Output : RCA Jack

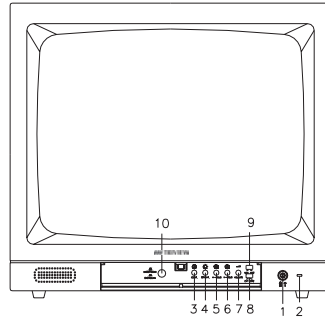


TBM-1703

TBM2003 FRONT AND REAR VIEW

Front View :

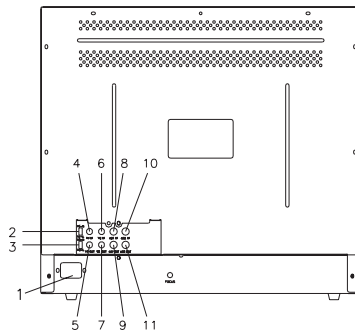
1. Power On/Off Switch
2. Power-On Indicator
3. Contrast Adjustment
4. Brightness Adjustment
5. H-HOLD Adjustment
6. V-HOLD Adjustment
7. Volume Adjustment
8. Video input Select Switch
9. Audio input Select Switch
10. Over/under-scan Select Switch



TBM-2003

Rear View

1. Power Inlet
2. Video 1 Load Impedance Switch
3. Video 2 Load Impedance Switch
4. Video 1 Input : BNC Connector
5. Video 1 Output : BNC Connector
6. Video 2 Input : BNC Connector
7. Video 2 Output : BNC Connector
8. Audio 1 Input : RCA Jack
9. Audio 1 Output : RCA Jack
10. Audio 2 Input : RCA Jack
11. Audio 2 Output : RCA Jack



TBM-2003

OPERATION

OPERATING INSTRUCTIONS

1. Place the monitor where you plan to use it.
2. This monitor can be operated between 100V_{AC} to 240V_{AC}.
3. Plug the power cord into AC RECEPTACLE on the wall.
4. Link the A/V terminal from your devices into the audio / video in (RCA / BNC) Connectors of the monitor.
5. Turn your device system power switch ON. then turn the monitor power switch ON. The power indicator will be ON at this moment.
6. Allow about 30 seconds for the display tube to warm up, then the image of the Display should appear on the screen, and power -ON LED indicator luminant.
7. The monitor will detect the frequency of the input signal automatically, and the Display image is able to be adjusted through the function VR on front control panel.

TATUNG COMPANY OF AMERICA
2850 EL PRESIDIO ST.
LONG BEACH, CA 90810

3121-0097G02

Free Manuals Download Website

<http://myh66.com>

<http://usermanuals.us>

<http://www.somanuals.com>

<http://www.4manuals.cc>

<http://www.manual-lib.com>

<http://www.404manual.com>

<http://www.luxmanual.com>

<http://aubethermostatmanual.com>

Golf course search by state

<http://golfingnear.com>

Email search by domain

<http://emailbydomain.com>

Auto manuals search

<http://auto.somanuals.com>

TV manuals search

<http://tv.somanuals.com>