

Warning: 1. At least two persons are necessary to mount the monitor on the rack.  
2. Do not use over force on the screws.

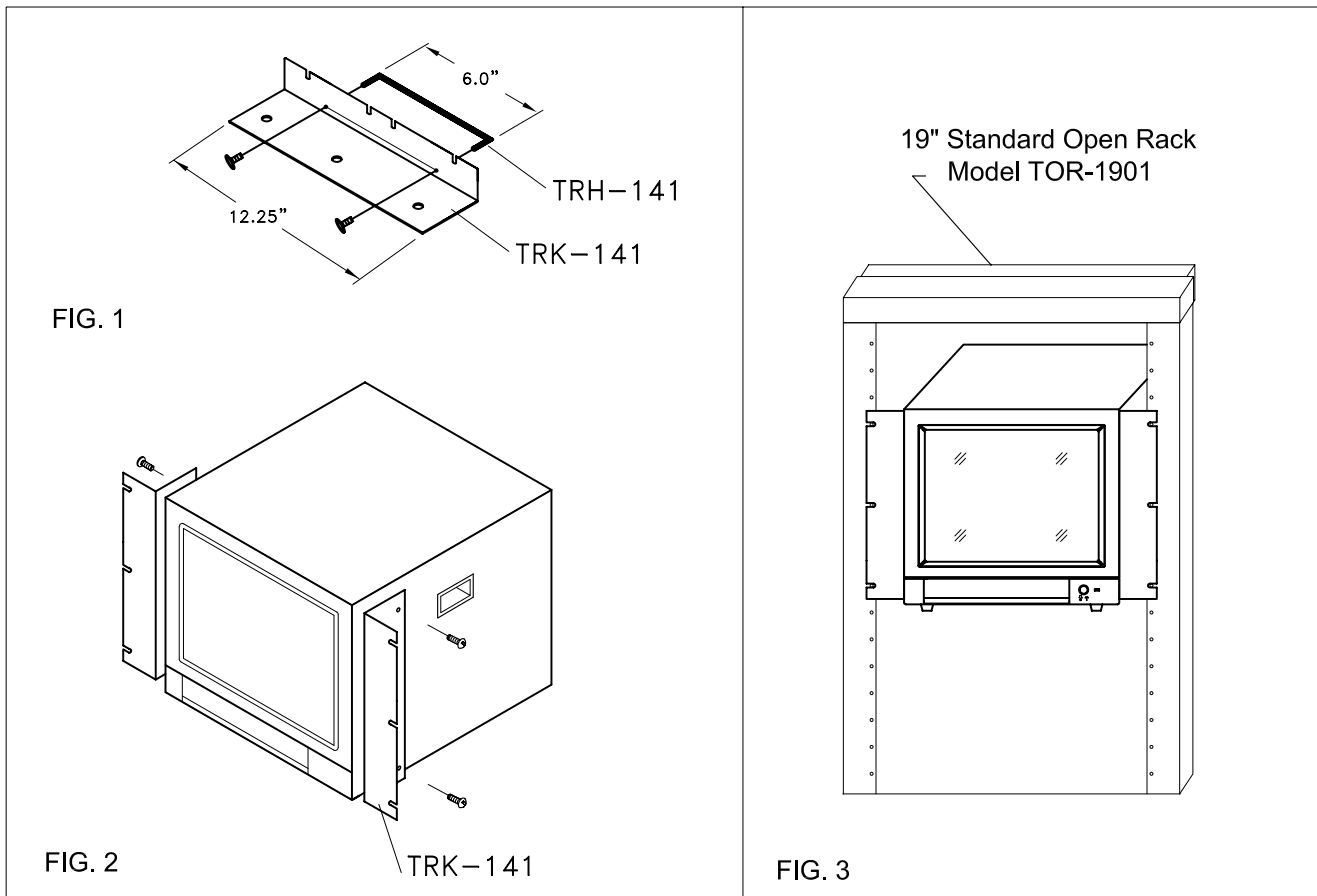
TRK-142 used for mounting 14" or 15" CRT color monitors on the 19" standard rack, compatible model including: TCM-1401, TCM-1402S and TCM-1501.

### Instructions:

1. Go to step 2 if did not purchase handle TRH-141. Secure handle TRH-141 to TRK-141 bracket with the screws (M4x12mm) provided, see Fig. 1.
2. Take off 4 screws from left and right side of the monitor, (these screws not used again).
3. Install TRK-142 bracket to left and right side of the monitor using the screws provided (M5, length 12mm, flat head, phillips) in the package, 2 each side, see FIG. 2.
4. Mount the whole set onto the rack frame by using 6 pieces screws: M5, length 10mm, pan or truss head, phillips drive. (these screws are provided by rack manufacturer), see FIG. 3 below.

### Notes:

1. Standard 19" open rack model: TOR-1901) and cabinet rack (model: TCR-1901) are available in stock.
2. The gap between monitors or other equipments can be covered by blank panel or vent panel, 1U, 2U, 3U available. (Contact salesperson for detail)



## Free Manuals Download Website

<http://myh66.com>

<http://usermanuals.us>

<http://www.somanuals.com>

<http://www.4manuals.cc>

<http://www.manual-lib.com>

<http://www.404manual.com>

<http://www.luxmanual.com>

<http://aubethermostatmanual.com>

Golf course search by state

<http://golfingnear.com>

Email search by domain

<http://emailbydomain.com>

Auto manuals search

<http://auto.somanuals.com>

TV manuals search

<http://tv.somanuals.com>