

Warning: 1. At least two persons are necessary to mount the monitor on the rack.
2. Do not use over force when fastening the screws.

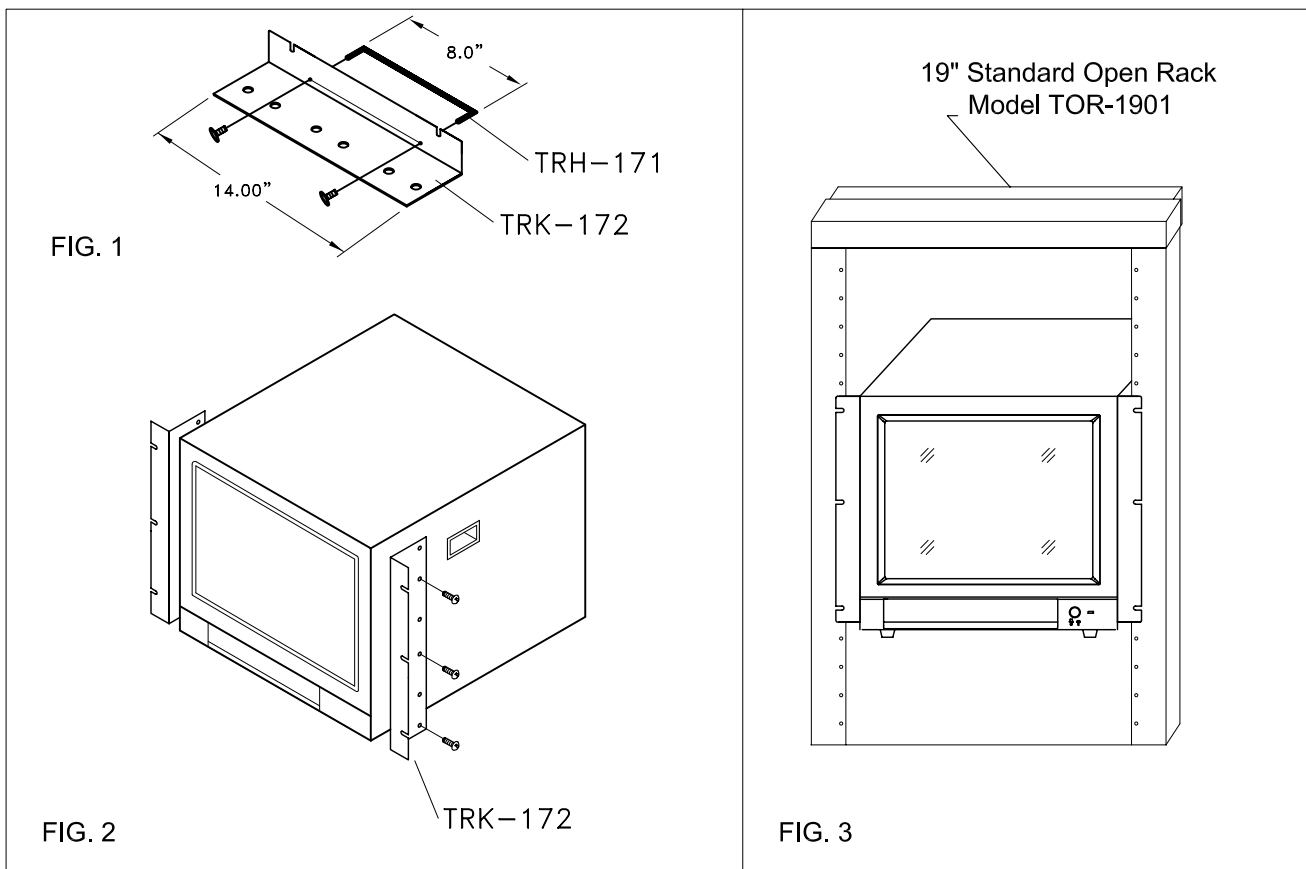
TRK-172 used for mounting 17" CRT color monitors on the 19" standard rack, compatible monitor model: TCM-1701.

Instructions:

1. Go to step 2 if did not purchase handle TRH-171. Secure the handle TRH-171 to TRK-172 bracket with the screws (M4x12mm) provided, see Fig. 1.
2. Take off 6 screws from left and right side of the monitor, (these screws not used again).
3. Install TRK-172 bracket to left and right side of the monitor using the provided screws (M6, 16mm Long, flat head, phillips) in the package, 3 each side, see FIG. 2.
4. Mount the whole set onto the rack frame by using 6 pieces screws: M5, length 10mm, pan or truss head, phillips drive. (these screws are provided by rack manufacturer), see FIG. 3 below.

Notes:

1. Standard 19" open rack model: TOR-1901) and cabinet rack (model: TCR-1901) are available in stock.
2. The gap between monitors or other equipments can be covered by blank panel or vent panel, 1U, 2U, 3U available. (Contact salesperson for detail)



Free Manuals Download Website

<http://myh66.com>

<http://usermanuals.us>

<http://www.somanuals.com>

<http://www.4manuals.cc>

<http://www.manual-lib.com>

<http://www.404manual.com>

<http://www.luxmanual.com>

<http://aubethermostatmanual.com>

Golf course search by state

<http://golfingnear.com>

Email search by domain

<http://emailbydomain.com>

Auto manuals search

<http://auto.somanuals.com>

TV manuals search

<http://tv.somanuals.com>