

Models BC10/BW11

Razzle Blender

Operating Instructions

052544-M



2/1/01

Complete this page for quick reference when service is required:

Taylor Distributor: _____

Address: _____

Phone: _____

Service: _____

Parts: _____

Date of Installation: _____

Information found on the data label:

Model Number: _____

Serial Number: _____

Electrical Specs: Voltage _____ Cycle _____

Phase _____

Maximum Fuse Size: _____ A

Minimum Wire Ampacity: _____ A

© February, 2001 Taylor
All rights reserved.
052544-M



*The word Taylor and the Crown design
are registered trademarks in the United States
of America and certain other countries.*

Taylor Company
750 N. Blackhawk Blvd.
Rockton, IL 61072

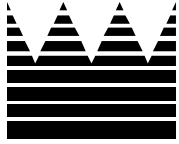


Table of Contents

Section 1	To the Installer	1
	Electrical Connections	1
	Foot Pedal Instructions	1
Section 2	To the Operator	2
	Warranty on Taylor Blenders	2
Section 3	Safety	3
Section 4	Operator Parts Identification	6
	BC10	6
	BW11	8
	Accessories	10
	Optional Dispensers	11
	Optional Large Candy Dispenser Canister Assembly (X53638-1)	17
	Optional Small Candy Dispenser Canister Assembly (X53638-2)	18
Section 5	Important: To the Operator	19
	Control Switch	19
	Foot Pedal	19
	Reset Switch	19
	Splash Guard	19
	Motor	20
	Permanent Agitator	20
Section 6	Operating Procedures	21
	Mixing Instructions	21
	Cleaning	22
	Permanent Agitator Cleaning	23
	Sanitizing	23
Section 7	Parts List	24
	Wiring Diagram	30

Note: Continuing research results in steady improvements; therefore, information in this manual is subject to change without notice.

Section 1

To the Installer

This machine is designed for indoor use only.



DO NOT install the machine in an area where a water jet could be used to clean or rinse the machine. Failure to follow this instruction may result in serious electrical shock.

Electrical Connections

Each unit requires one power supply. Check the data labels on the unit for fuse, wire ampacity and electrical specifications. Refer to the wiring diagram for proper power connections.

In the United States, this equipment is intended to be installed in accordance with the National Electrical Code (NEC), ANSI/NFPA 70-1987. The purpose of the NEC code is the practical safeguarding of persons and property from hazards arising from the use of electricity. This code contains provisions considered necessary for safety. Compliance therewith and proper maintenance will result in an installation essentially free from hazard!

In all other areas of the world, equipment should be installed in accordance with the existing local codes. Please contact your local authorities.

Stationary appliances which are not equipped with a power cord and a plug or other device to disconnect the appliance from the power source must have an all-pole disconnecting device with a contact gap of at least 3 mm installed in the external installation.



CAUTION: THIS EQUIPMENT MUST BE PROPERLY GROUNDED! FAILURE TO DO SO CAN RESULT IN SEVERE PERSONAL INJURY FROM ELECTRICAL SHOCK!

Foot Pedal Instructions

To use the momentary foot pedal to control the mixer, connect the foot pedal to a grounded wall outlet. Plug the mixer cord into the back of the foot pedal plug. In this mode, both the control switch and the foot pedal must be activated. Leave the control switch in the "ON" position when you wish to use the momentary foot control. Make sure the foot control is kept where it will not be activated accidentally. The foot guard is an additional design feature which helps prevent accidental use of the foot pedal.

Section 2

To the Operator

The mixer you have purchased has been carefully engineered and manufactured to give you dependable operation. Mixing various candies, cookies, fruits, nuts, liquid flavors, and other food items into ice cream or frozen yogurt has made unlimited flavor combinations and product textures available.

The development of counter and wall mount mixers have made this unlimited resource available to even very small retail outlets and to those facilities where counter space is limited.

The mixer, when properly operated and cared for, will produce a consistent, quality product. Like all mechanical products, it will require cleaning and maintenance. A minimum amount of care and attention is necessary if the operating procedures outlined in this manual are followed closely.

This Operator's Manual should be read before operating or performing any maintenance on your equipment.

In the event that you should require technical assistance, please contact your local authorized Taylor Distributor.

NSF approvals of the Models BC10 and BW11 were obtained by the Vita-Mix Corporation, 8615 Usher Road, Cleveland, Ohio 44138.



If the crossed out wheeled bin symbol is affixed to this product, it signifies that this product is compliant with the EU Directive as well as other similar legislation in effect after August 13, 2005. Therefore, it must be collected separately after its use is completed, and cannot be disposed as unsorted municipal waste.

The user is responsible for returning the product to the appropriate collection facility, as specified by your local code.

For additional information regarding applicable local laws, please contact the municipal facility and/or local distributor.

Warranty on Taylor Blenders

Caution: This warranty is valid **only** if required exchanges are provided by an authorized Taylor Distributor.

Warranty Terms

This warranty covers only defects in material and workmanship under normal use and service. The Taylor Distributor will replace those components that become defective as follows:

- Five years from date of installation for the blender.
- One year from date of installation for the product dispensers.

Not included are the following items:

- Labor, transportation charges, and sales or use taxes associated with the removal and return of the defective part and the installation of the replacement part.
- External power cords, and electrical grounding.
- Wear items: agitator shaft, splash shield, and foot pedal.
- Replacements required because of operator misuse as defined below, fire or other casualty, normal wear or deterioration.

Misuse includes the owner's failure to handle parts properly, resulting in breakage. Misuse is also defined as allowing unauthorized service agents to attempt repair on units.

For validation of warranty, this unit must be registered at the Taylor Company within thirty (30) days of installation.

We at Taylor Company are concerned about the safety of the operator when he or she comes in contact with the blender and its parts. Taylor has gone to extreme efforts to provide built-in safety features to protect both you and the service technician. As an example, warning labels have been attached to the unit to further point out safety precautions to the operator.



IMPORTANT - Failure to adhere to the following safety precautions may result in severe personal injury or death. Failure to comply with these warnings may damage the machine and its components. Component damage will result in part replacement expense and service repair expense. SAVE THESE INSTRUCTIONS FOR FUTURE REFERENCE

To Operate Safely:



DO NOT operate the machine without reading this operator's manual. Failure to follow this instruction may result in equipment damage, poor performance, health hazards, or personal injury.



- **DO NOT** operate the machine unless it is properly grounded.
- **DO NOT** attempt any repairs unless the main power supply to the machine has been disconnected.
- **DO NOT** operate the machine with larger fuses than specified on the data label.
- **DO NOT** operate this appliance if the power cord is damaged.
- **DO NOT** use this appliance outdoors.

Failure to follow these instructions may result in electrocution. Contact your local authorized Taylor Distributor for service.



DO NOT use a water jet to clean or rinse this unit. Failure to follow these instructions may result in serious electrical shock.



- **DO NOT** allow children or untrained personnel to operate this machine.
- **DO NOT** operate the unit unless all service panels and access doors are restrained with screws.
- **AVOID** contact with the agitator shaft and other moving parts.
- **DO NOT** disassemble or install parts unless the control switch is in the "OFF" position.
- Make sure the splash guard is installed prior to operating the appliance.
- Always use the foot pedal guard and avoid accidental use of the foot pedal. When using the foot pedal, make sure the appliance is located where accidental contact with the pedal is not likely. When the mixer is not in use, place the front switch in the "OFF" position to avoid accidental use of the pedal. **(Note: Some international units are not equipped with this feature.)**

Failure to follow these instructions may result in severe personal injury from hazardous moving parts.



DO NOT operate this appliance if it malfunctions or is damaged in any way. Failure to follow this instruction may result in injury or component damage.



Make sure the mixer is level and sitting or mounted solidly on a sturdy surface during operation. Failure to comply may result in personal injury or equipment damage.



DO NOT use attachments not recommended or sold by the Taylor Company. Doing so may cause fire, electric shock, injury, or equipment damage.



DO NOT allow the power cord to hang over the edge of the counter or touch hot surfaces. Failure to comply may result in an electrical fire.



WARNING!

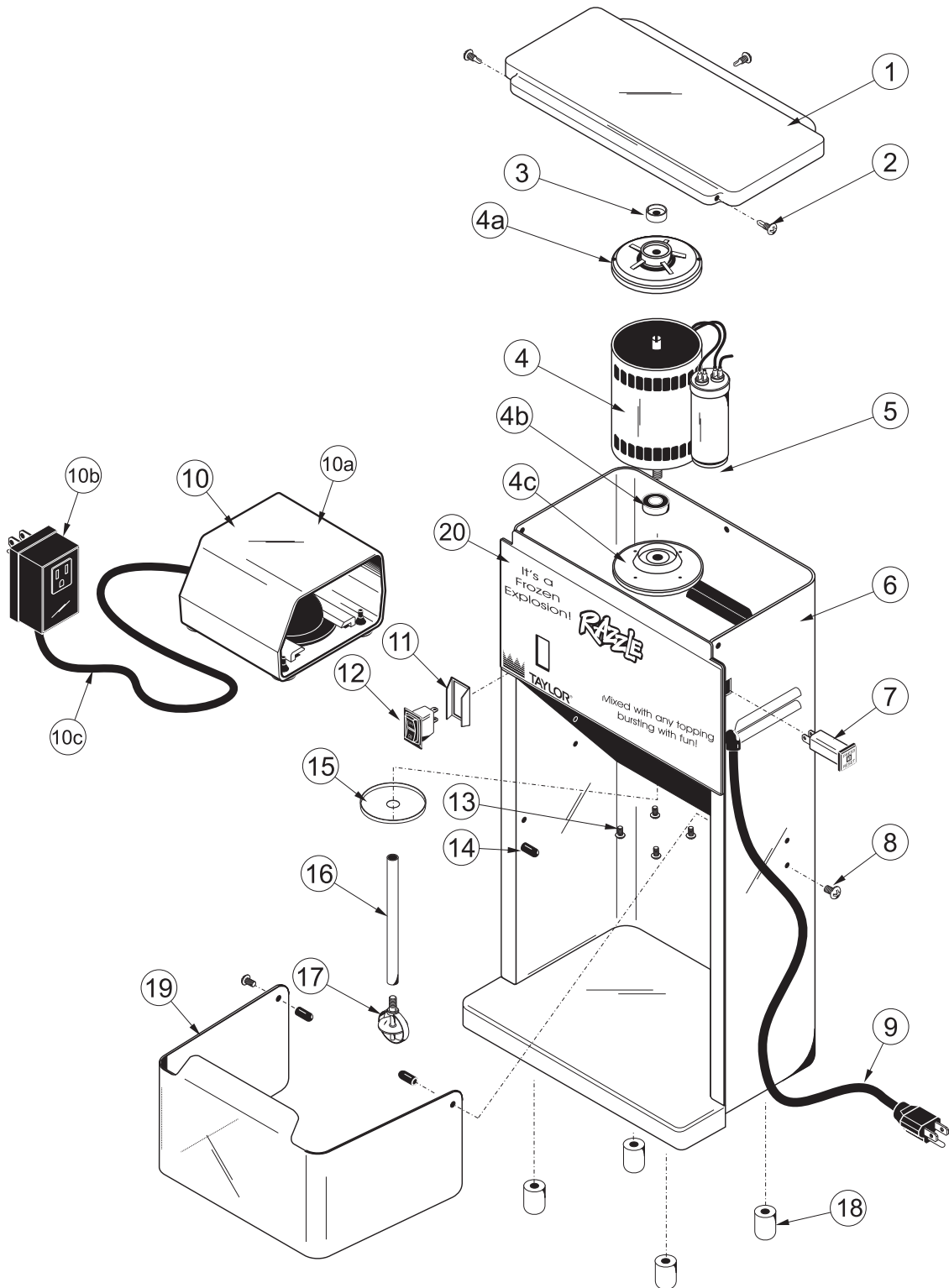
Some consumers are highly allergic to peanuts, peanut oil, and peanut dust. In some severe cases, peanut allergy reactions can cause death. When blending product with peanuts, make sure excess product is cleaned from the agitator shaft to eliminate the fear of product carryover.

NOISE LEVEL: Airborne noise emission does not exceed 78 dB(A) when measured at a distance of 1.0 meter from the surface of the machine and at a height of 1.6 meters from the floor.

Section 4

Operator Parts Identification

BC10



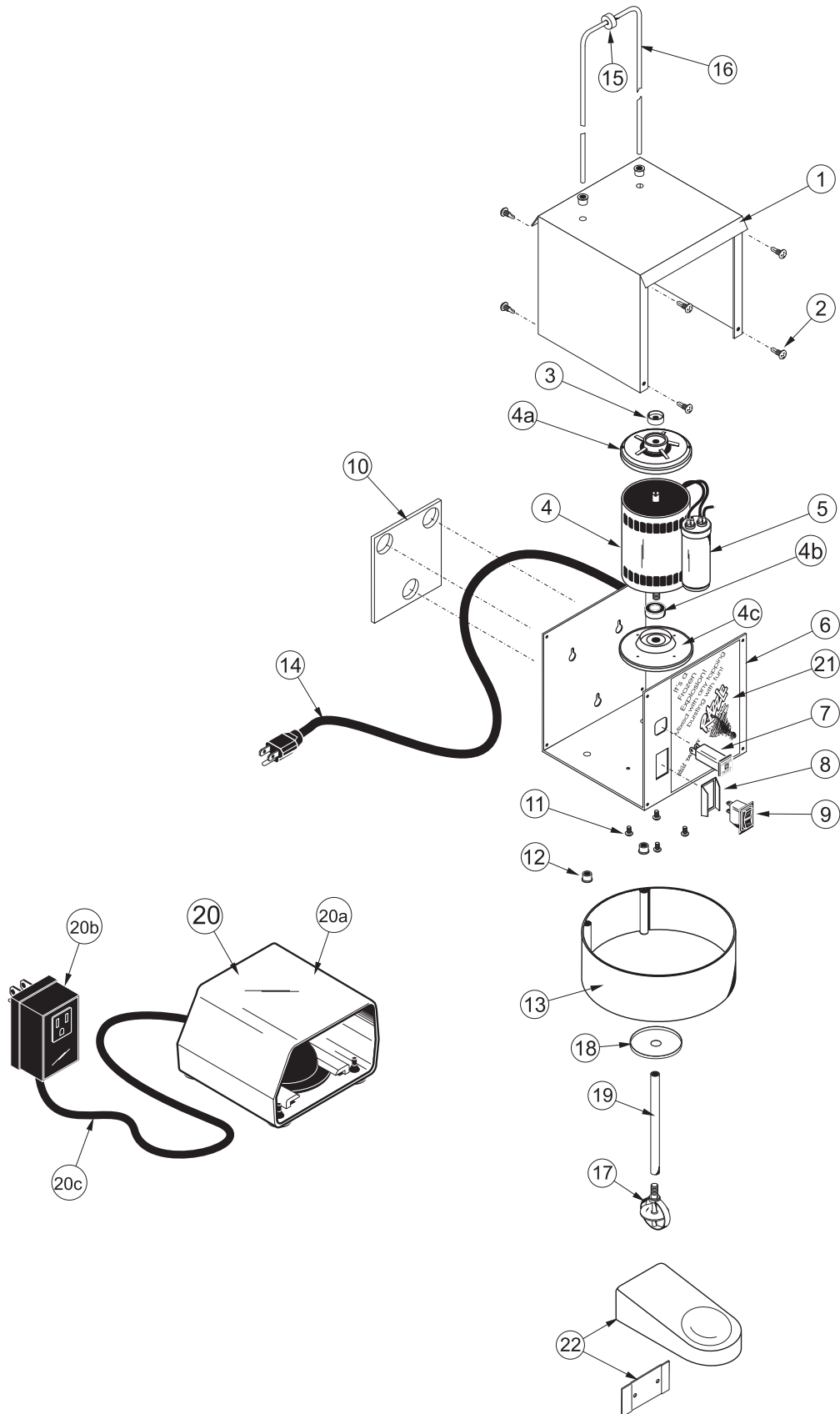
BC10 Exploded View Parts Identification

ITEM	DESCRIPTION	PART NO.
1	CAP-MIXER	051484
2	SCREW-MIXER-RETAINER CAP	051487
3	BRAKE (SEAL) MIXER	051485
4	MOTOR-MIXER (120V)	051481-12
	MOTOR-MIXER (220/240V)	051481-27
4a	PLATE-MOTOR MOUNTING TOP	051481-4
4b	BEARING-MIXER MOTOR	051481-2
4c	PLATE-MOTOR MTG. BOTTOM	051481-1
5	CAPACITOR-MIXER (220/240V)	051483
	CAPACITOR-MIXER (120V)	051482
6	FRAME-MIXER-STAINLESS STL	051480
7	BREAKER-CIRCUIT-MIXER-3A-120V	051490
	BREAKER-CIRCUIT-MIXER-5A-220/ 240V	051489
8	SCREW-MIXER-MTG PIVOT PIN	051508
9	CORD-MIXER-18/3 GROUNDED	051491
10	PEDAL-FOOT-MIXER-115V	052451
10*	PEDAL-FOOT-MIXER-220V	053192
10a	TRANSMITTER FOOT PEDAL	052451-1
10b	CONTROLLER-FOOT PEDAL-115V	052451-2

ITEM	DESCRIPTION	PART NO.
10b*	SWITCH-PRESS.-FOOT PEDAL-220V	053192-1
10c	TUBE-AIR-FOOT PEDAL	052451-3
11	GUARD-SWITCH-MIXER	051505
12	SWITCH-ROCKER-MIXER	051488
13	SCREW-MIXER-MOTOR MTG	051493
14	PIN PIVOT-MIXER	051507
15	SLINGER-MIXER	051494
16	SHAFT-MIXER-AGITATOR-EXT	051495
17	AGITATOR-MIXER-PERM SOFT	051497
18	FOOT A.-MIXER-PLUGGED	051500
19	GUARD-SPLASH-MIXER	051499
20	LABEL-MIXER-COUNTER-RAZZLE	052250
*	CAP-CRIMP-MIXER	051504
*	JUMPER WIRES-MIXER	051486
*	MANUAL-OPERATOR-MIXER	052544-M
*	RELIEF-STRAIN-MIXER-R ANGLE	051492
*	TAB INSULATOR-MIXER (CAPACITOR)	051509
*	TIES-CABLE-MIXER (CAPACITOR)	051502

* NOT SHOWN

BW11



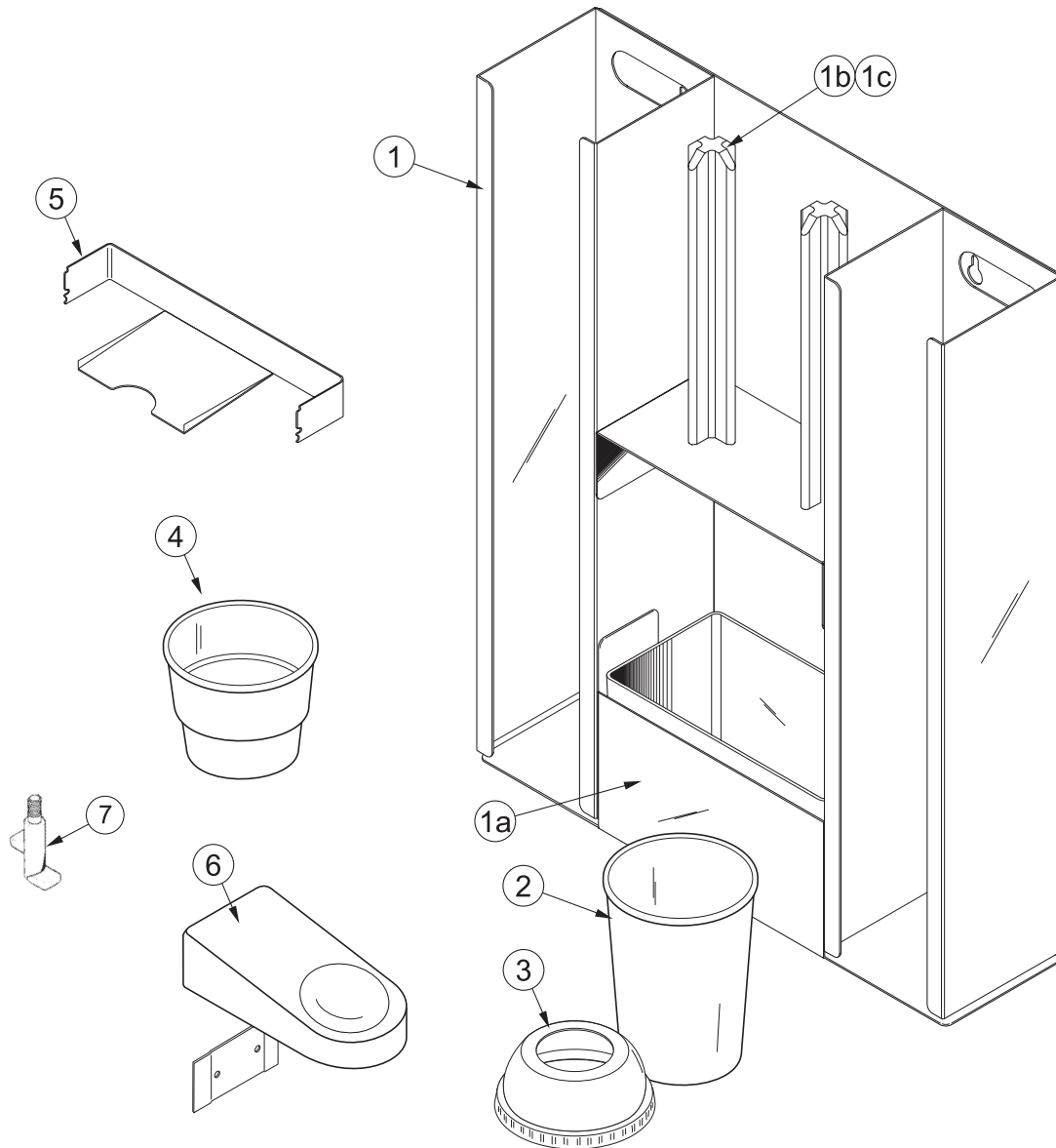
BW11 Exploded View Parts Identification

ITEM	DESCRIPTION	PART NO.
1	COVER-MIXER-TOP WALL MT	051516
2	FASTENER-MIXER (BASE & CVR)	051515
3	BRAKE (SEAL) MIXER	051485
4	MOTOR-MIXER (120V)	051481-12
	MOTOR-MIXER (220/240V)	051481-27
4a	PLATE-MOTOR MTG TOP	051481-4
4b	BEARING-MIXER MOTOR	051481-2
4c	PLATE-MOTOR MTG BOTTOM	051481-1
5	CAPACITOR-MIXER (220/240V)	051483
	CAPACITOR-MIXER (120V)	051482
6	BASE-MIXER-WALL MOUNT	051517
7	BREAKER-CIRCUIT-MIXER-3AP-120V	051490
	BREAKER-CIRCUIT-MIXER-5A-220/ 240V	051489
8	GUARD-SWITCH-MIXER	051505
9	SWITCH-ROCKER-MIXER	051488
10	PAD VIBRATION DAMPNER MIXER	051521
11	SCREW-MIXER-MOTOR MTG.	051493
12	BUSHING-MIXER-TRAVEL ROD	051522
13	GUARD-SPLASH-MIXER-CUP-WALL MOUNT	051518
14	CORD-MIXER-18/3 GROUNDED W/PLUG	051491

ITEM	DESCRIPTION	PART NO.
15	BUMPER-MIXER-TRAVEL ROD-WALL MOUNT	051514
16	ROD TRAVEL-MIXER-WALL MT	051513
17	AGITATOR-MIXER-PERM-SOFT	051497
18	SLINGER-MIXER	051494
19	SHAFT-MIXER-AGITATOR-EXT	051520
20	PEDAL-FOOT MIXER-115V	052451
*20	PEDAL-FOOT MIXER-220V	053192
20a	TRANSMITTER-FOOT PEDAL W/SHROUD	052451-1
20b	CONTROLLER-FOOT PEDAL-115V	052451-2
*20b	SWITCH-PRESS.-FOOT PEDAL-220V	053192-1
20c	TUBE-AIR-FOOT PEDAL	052451-3
21	LABEL-MIXER-WALL-FRNT/SIDE	052251
22	KIT-DRIP PAN (INCLUDES BRACKET)	052429
*	JUMPER WIRES-MIXER-WALL MT	051525
*	MANUAL-OPERATOR-MIXER	052544-M
*	RELIEF STRAIN-MIXER-WALL MT	051524
*	TAB INSULATOR-MIXER (CAPACITOR)	051509
*	TIES-CABLE-MIXER (CAPACITOR)	051502
*	KIT-MOUNTING	052428

* NOT SHOWN

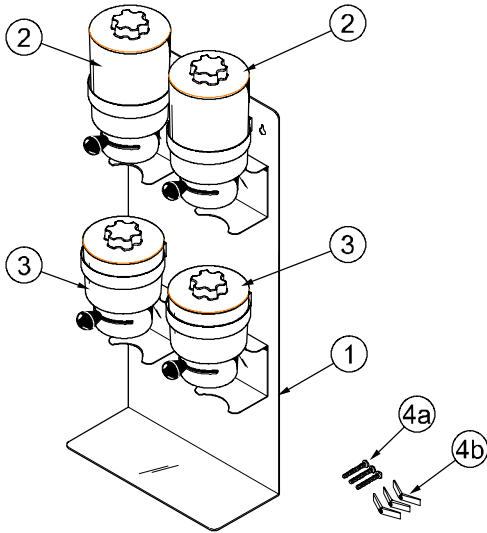
Accessories



ITEM	DESCRIPTION	PART NO.
1	ORGANIZER A.-FLURRY CUP/LID	X52080
1a	INSERT-SPOON BIN	052113
1b	COLUMN-LID	052084
1c	SCREW-1/4-15 X 1 HEX HEAD	052139
2	RAZZLE CUP 12 OZ. 1000/CS	051967
	RAZZLE CUP 16 OZ 1000/CS	051968

ITEM	DESCRIPTION	PART NO.
3	LID RAZZLE-CLEAR DOME 1000/CS	051969
4	COLLAR-BLUE PLASTIC	051750
5	LIMITER-CUP-STD. MIXER	051526
6	KIT-DRIP PAN (BW11)	052429
7	AGITATOR-MIXER-PERM HARD	051498

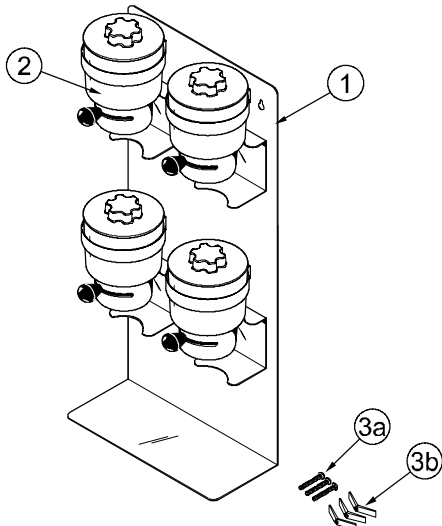
Optional Dispensers



X52037-1

Item	Description	Part No.
	Dispenser A.-2 Large - 2 Small	X52037-1
1	Bracket A.-Wall Mount	X52035
2	Canister A.-Large (2)	X53638-1
3	Canister A.-Small (2)	X53638-2
4	Kit A.-Dispenser-Wall Mount	X52039
4a	Screw-10-24 x 2 Sltd Pan Hd SS	051443
4b	Anchor-Toggle Wing Zinc Plated	051444
4c*	Template-Dispenser-Wall Mount	052041-T

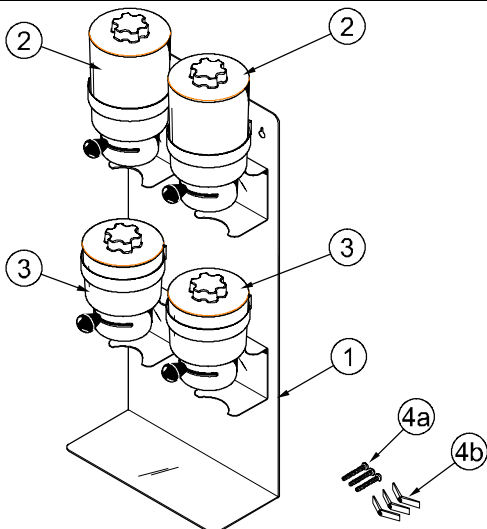
*Not Shown



X52037-2

Item	Description	Part No.
	Dispenser A.-4 Small (Wall Mt.)	X52037-2
1	Bracket A.-Wall Mount	X52035
2	Canister A.-Small (4)	X53638-2
3	Kit A.-Dispenser-Wall Mount	X52039
3a	Screw-10-24 x 2 Sltd Pan Hd SS	051443
3b	Anchor-Toggle Wing Zinc Plated	051444
3c*	Template-Dispenser-Wall Mount	052041-T

*Not Shown



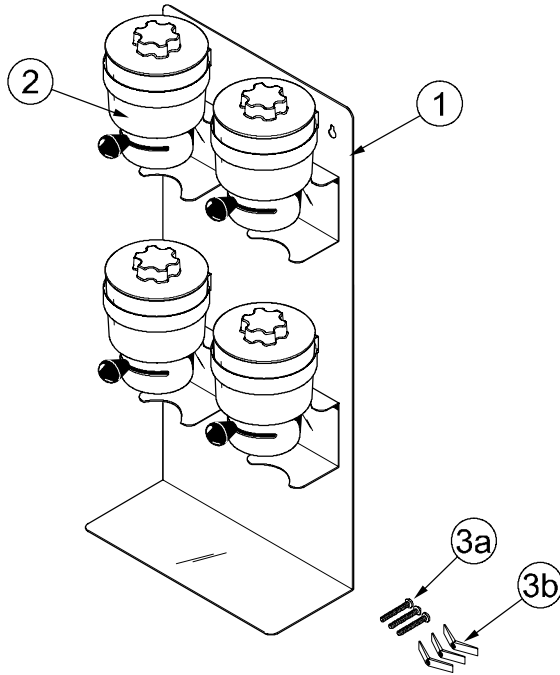
X52037-3

Item	Description	Part No.
	Dispenser A.-2 Lg, 2 Sm	X52037-3
1	Bracket A.-Wall Mount	X52035
2	Canister A.-Large (2)	X53638-3
3	Canister A.-Small (2)	X53638-4
4	Kit A.-Dispenser-Wall Mount	X52039
4a	Screw-10-24 x 2 Sltd Pan Hd SS	051443
4b	Anchor-Toggle Wing Zinc Plated	051444
4c*	Template-Dispenser-Wall Mount	052041-T

*Not Shown

Optional Dispensers (Cont'd.)

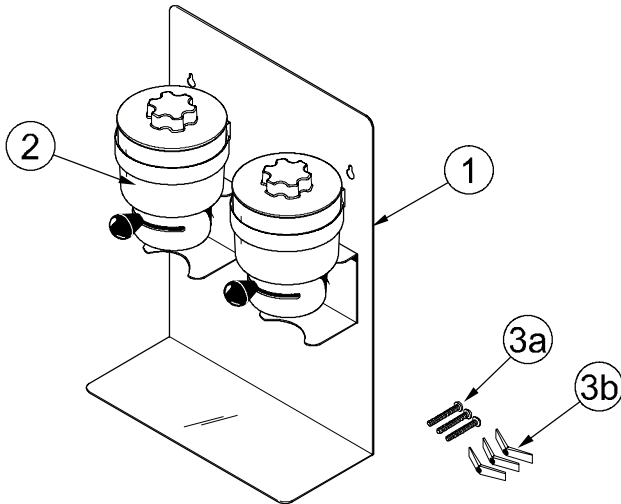
X52037-4



Item	Description	Part No.
	Dispenser A.-4 Small (Wall Mt.)	X52037-4
1	Bracket A.-Wall Mount	X52035
2	Canister A.-Small (4)	X53638-4
3	Kit A.-Dispenser-Wall Mount	X52039
3a	Screw-10-24 x 2 Slt'd Pan Hd SS	051443
3b	Anchor-Toggle Wing Zinc Plated	051444
3c*	Template-Dispenser-Wall Mount	052041-T

*Not Shown

X52078-1

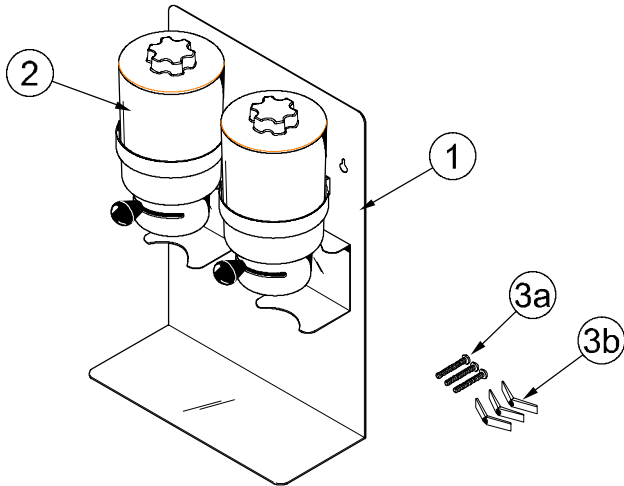


Item	Description	Part No.
	Dispenser A.-2 Small (Wall/Counter Mount)	X52078-1
1	Bracket A.-Wall/Counter Mt.	X51414
2	Canister A.-Small (2)	X53638-2
3	Kit A.-Dispenser-Wall/Counter Mt.	X51441
3a	Screw-10-24 x 2 Slt'd Pan Hd (3)	051443
3b	Anchor-Toggle Wing Zinc (3)	051444
3c*	Template-Dispenser-Wall Mt.	051415-T

*Not Shown

Optional Dispensers (Cont'd.)

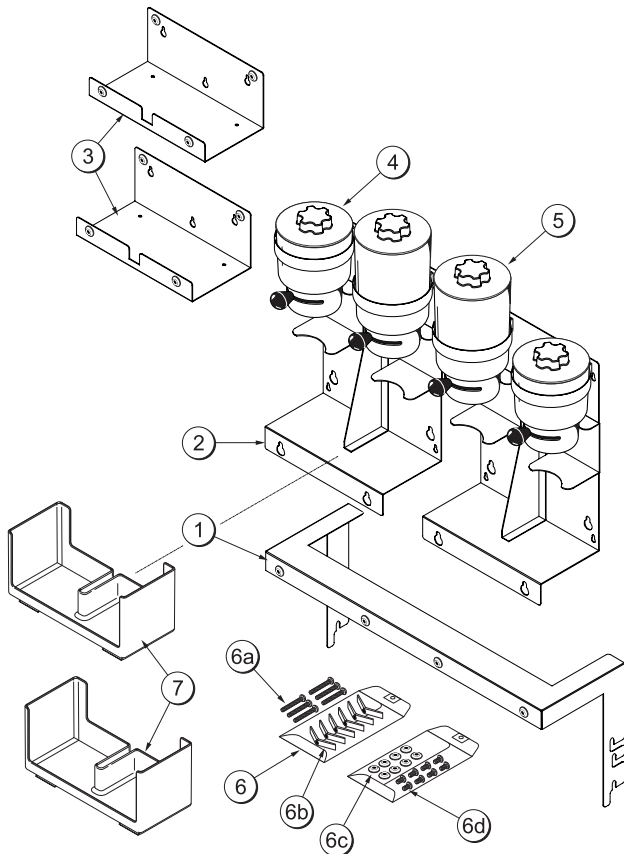
X52078-2



Item	Description	Part No.
	Dispenser A.-2 Large (Wall/Counter Mount)	X52078-2
1	Bracket A.-Wall/Counter Mt.	X51414
2	Canister A.-Large (2)	X53638-1
3	Kit A.-Dispenser-Wall/Counter Mt.	X51441
3a	Screw-10-24 x 2 Slt'd Pan Hd (3)	051443
3b	Anchor-Toggle Wing Zinc (3)	051444
3c*	Template-Dispenser-Wall Mt.	051415-T

*Not Shown

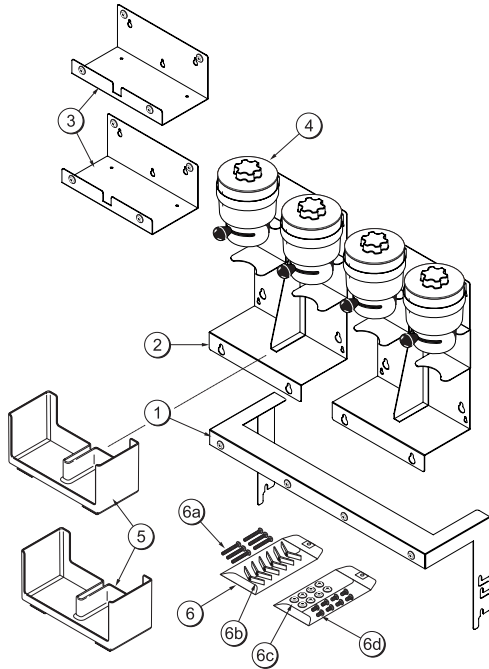
X52566-1



Item	Description	Part No.
	Dispenser A.-2 Large - 2 Small (Hood/Counter/Wall Mount)	X52566-1
1	Bracket A.-Hood Mount	X52559
2	Bracket A.-Splitback	X52556
3	Bracket A.-Counter/Wall Mt. (2)	X52618
4	Canister A.-Small (2)	X53638-1
5	Canister A.-Large (2)	X53638-2
6	Kit A.-Dispenser-Counter/Wall Mt	X52567
6a	Screw-10-24 x 2 Slt'd Pan Hd (6)	051443
6b	Anchor-Toggle Wing Zinc (6)	051444
6c	Collar-Holding (8)	046551
6d	Screw-10-32 x 1/2 Oval Hd (8)	001251
7	Tray A.-Hood Mount (2)	X53773
8*	Instruction-Dispenser	X52566-INS

*Not Shown

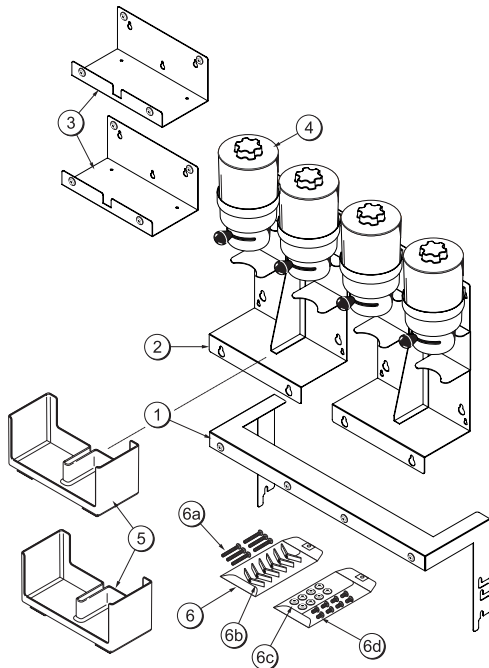
Optional Dispensers (Cont'd.)



X52566-2

Item	Description	Part No.
	Dispenser A.-4 Small (Hood/Counter/Wall Mount)	X52566-2
1	Bracket A.-Hood Mount	X52559
2	Bracket A.-Splitback (2)	X52556
3	Bracket A.-Counter/Wall Mt (2)	X52618
4	Canister A.-Small (4)	X53638-2
5	Tray A.-Hood Mount (2)	X53773
6	Kit A.-Dispenser-Counter/Wall Mt	X52567
6a	Screw-10-24 x 2 Sltd Pan Hd (6)	051443
6b	Anchor-Toggle Wing Zinc (6)	051444
6c	Collar-Holding (8)	046551
6d	Screw-10-32 x 1/2 Oval Hd-NP (8)	001251
7*	Instruction-Dispenser	X52566-INS

*Not Shown

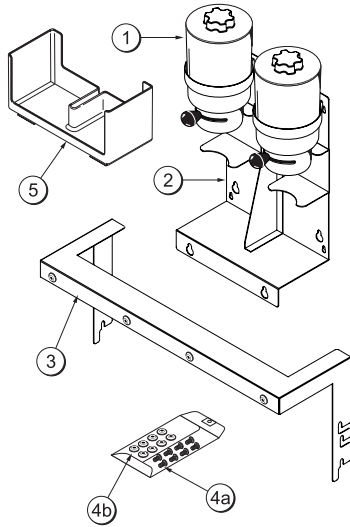


X52566-3

Item	Description	Part No.
	Dispenser A.-4 Large (Hood/Counter/Wall Mount)	X52566-3
1	Bracket A.-Hood Mount	X52559
2	Bracket A.-Splitback (2)	X52556
3	Bracket A.-Counter/Wall Mt (2)	X52618
4	Canister A.-Large (4)	X53638-1
5	Tray A.-Hood Mount (2)	X53773
6	Kit A.-Dispenser-Counter/Wall Mt	X52567
6a	Screw-10-24 x 2 Sltd Pan Hd (6)	051443
6b	Anchor-Toggle Wing Zinc (6)	051444
6c	Collar-Holding (8)	046551
6d	Screw-10-32 x 1/2 Oval Hd (8)	001251
7*	Instruction-Dispenser	X52566-INS

*Not Shown

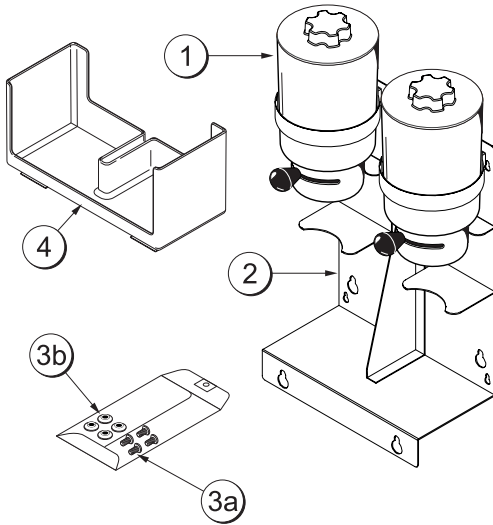
Optional Dispensers (Cont'd.)



X52566-5

Item	Description	Part No.
	Dispenser A.-2 Large (Hood Mount Only)	X52566-5
1	Canister A.-Large (2)	X53638-1
2	Bracket A.-Splitback (1)	X52556
3	Bracket A.-Hood Mount	X52559
4	Kit A.-Dispenser-Counter/Wall Mt	X52567-4
4a	Screw-10-32 x 1/2 Oval Hd (8)	001251
4b	Collar-Holding (8)	046551
5	Tray A.-Hood Mount	X53773
6*	Instruction-Dispenser	X52566-INS

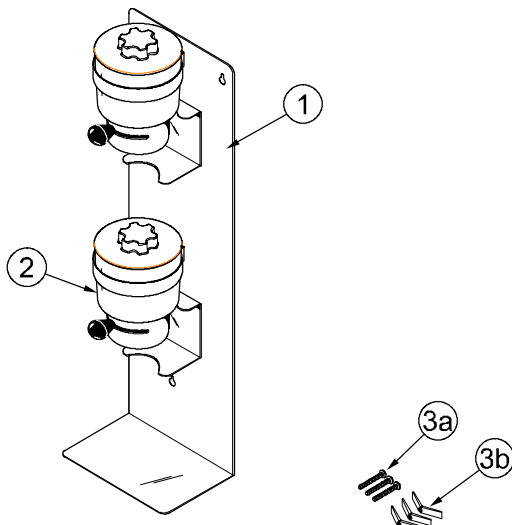
*Not Shown



X52566-6

Item	Description	Part No.
	Dispenser A.-2 Large (Without Hood Mt. Brkt.)	X52566-6
1	Canister A.-Large (2)	X53638-1
2	Bracket A.-Splitback (1)	X52556
3	Kit A.-Dispenser-2 Canister	X52567-2
3a	Screw-10-32 x 1/2 Oval Hd (4)	001251
3b	Collar-Holding (4)	046551
4	Tray A.-Hood Mount	X53773
5*	Instruction-Dispenser	X52566-INS

*Not Shown

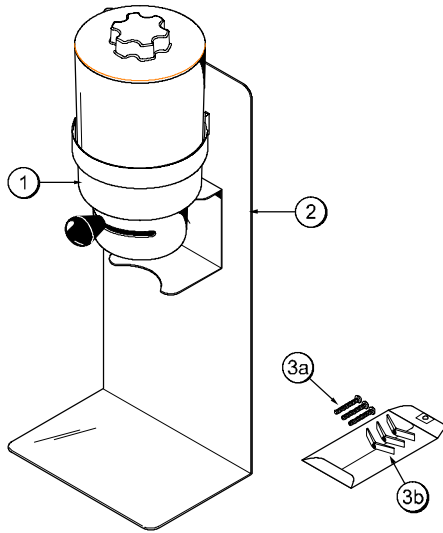


X53407-1

Item	Description	Part No.
	Dispenser A.-2 Small -Vertical (Wall Mount Only)	X53407-1
1	Kit A.-Vertical Wall Mount	X53460
2	Canister A.-Small (2)	X53638-2
3	Kit A.-Vertical Wall Mount	X53461
3a	Screw-10-24 x 2 Sltd Pan Hd (3)	051443
3b	Anchor-Toggle Wing Zinc (3)	051444
3c*	Template-Dispenser-Wall Mt.	053462-T

*Not Shown

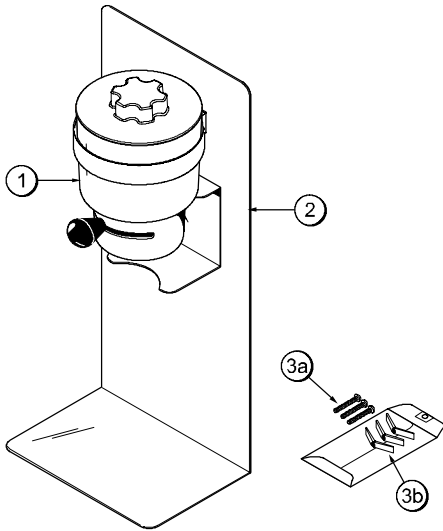
Optional Dispensers (Cont'd.)



X53492-1

Item	Description	Part No.
	Dispenser A.-1 Large - Vertical (Wall Mount Only)	X53492-1
1	Canister A.-Large (1)	X53638-1
2	Bracket A.-Vertical Wall Mount	X53488
3	Kit A.-Dispenser-Wall Mount	X53490
3a	Screw-10-24 x 2 Sltd Pan Hd (3)	051443
3b	Anchor-Toggle Wing Zinc (3)	051444
3c*	Template-Single Canister-Wall Mt	053491-T

*Not Shown

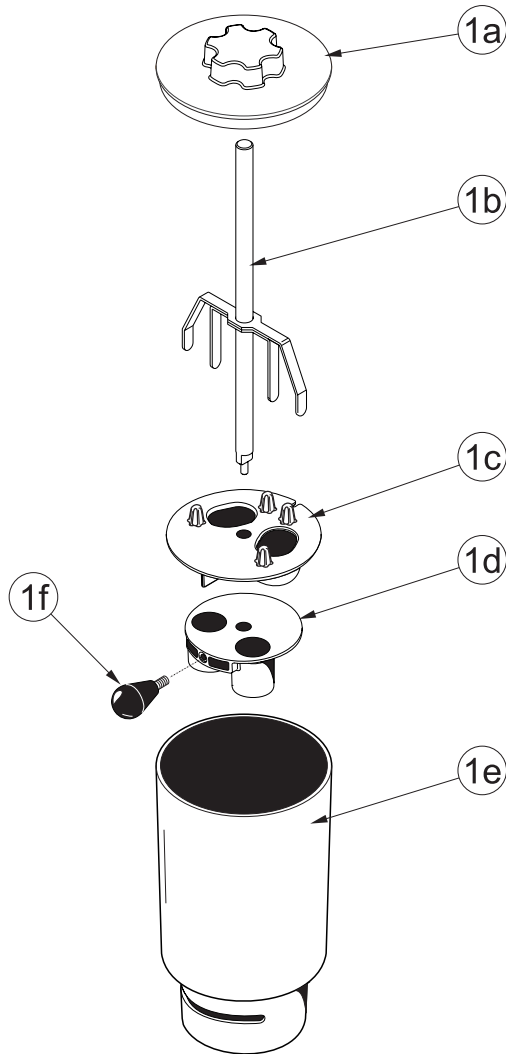


X53492-2

Item	Description	Part No.
	Dispenser A.-1 Small - Vertical (Wall Mount Only)	X53492-2
1	Canister A.-Small (1)	X53638-2
2	Bracket A.-Vertical Wall Mount	X53488
3	Kit A.-Dispenser-Wall Mount	X53490
3a	Screw-10-24 x 2 Sltd Pan Hd (3)	051443
3b	Anchor-Toggle Wing Zinc (3)	051444
3c*	Template-Single Canister-Wall Mt	053491-T

*Not Shown

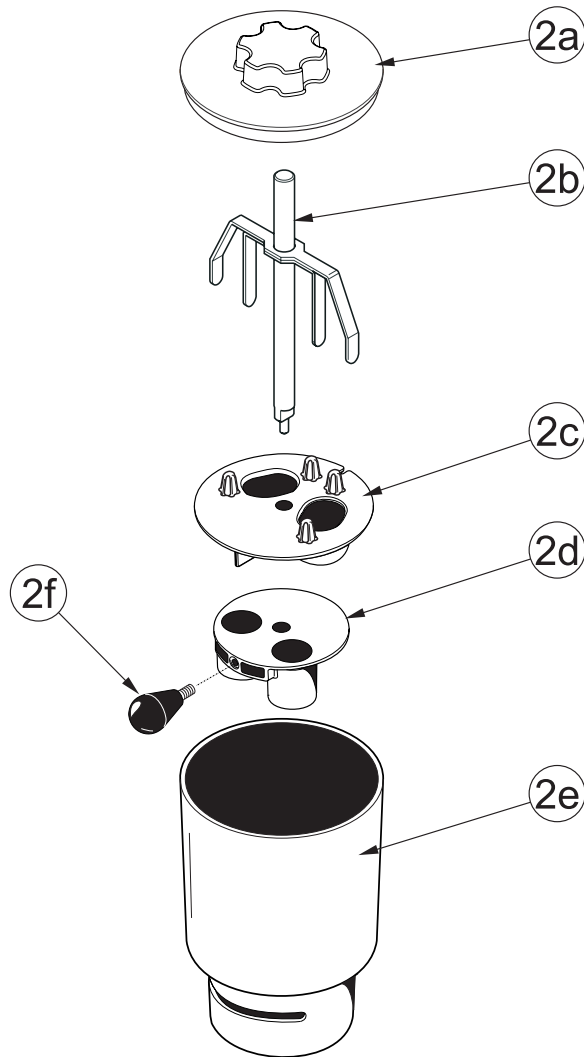
Optional Large Candy Dispenser Canister Assembly (X53638-1)



ITEM	DESCRIPTION	PART NO.
1	CANISTER A.-LARGE CANDY DISP.	X53638-1
1a	COVER-CANDY DISPENSER-LARGE	052032-1
1b	SHAFT A.-LONG W/AGITATORS	X53530-1
1c	PLATE-ANTI-ROTATION INS. W/POST	053581

ITEM	DESCRIPTION	PART NO.
1d	PUCK A.-CANDY DISPENSER	X52027
1e	CANISTER-CANDY DISPENSER-LG.	052033-1
1f	KNOB A.-CANDY DISPENSER	X51564

Optional Small Candy Dispenser Canister Assembly (X53638-2)



ITEM	DESCRIPTION	PART NO.
2	CANISTER A.-SM. CANDY DISP. (2)	X53638-2
2a	COVER-CANDY DISPENSER- SMALL	052032-2
2b	SHAFT A.-SHORT W/AGITATORS	X53530-2
2c	PLATE-ANTI-ROTATION INS. W/POST	053581

ITEM	DESCRIPTION	PART NO.
2d	PUCK A.-CANDY DISPENSER	X52027
2e	CANISTER-CANDY DISPENSER- SM.	052033-2
2f	KNOB A.-CANDY DISPENSER	X51564

Section 5

Important: To the Operator

Control Switch

When placed in the "ON" position, the agitator activates to blend product.

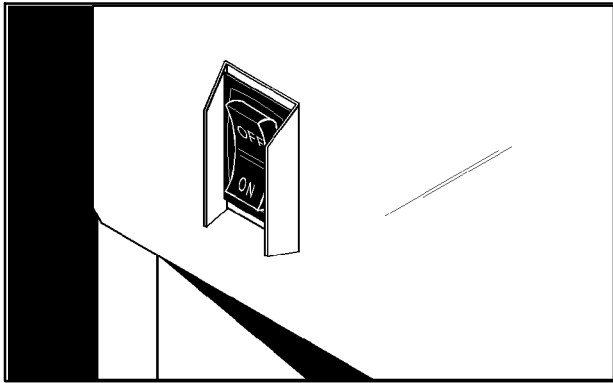


Figure 1

Reset Switch

The reset switch is located above the control switch on the front panel. The reset switch protects the motor from an overload condition. If an overload occurs, the reset mechanism will trip. To properly reset the unit, make sure the control switch is in the "OFF" position. Press the reset switch and resume operation.

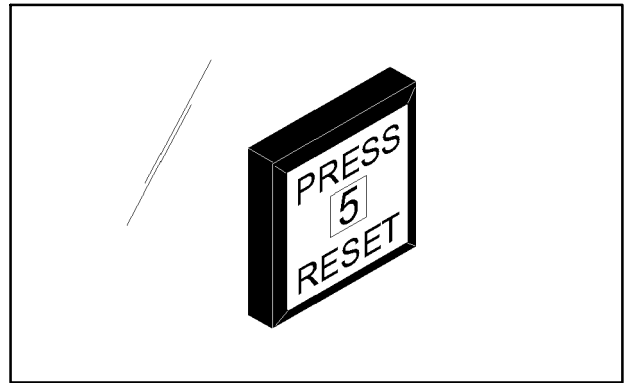


Figure 3

Foot Pedal

A grounded foot pedal allows the operator to use both hands to mix product.

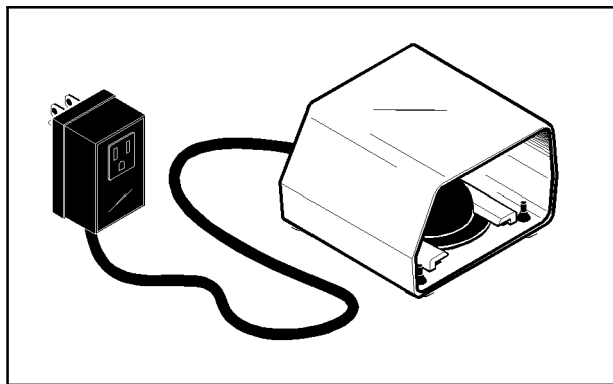


Figure 2

Note: Some International units are not equipped with this feature.

Splash Guard

The splash guard functions as a built-in cup limiter which prevents the cups from agitator penetration. The splash guard also helps keep the inside of the housing clean.

The splash guard for the Model BC10 (counter-top) slides up and down on stainless steel rods. The splash guard for the Model BW11 (wall mount) rotates upward for easy operation.

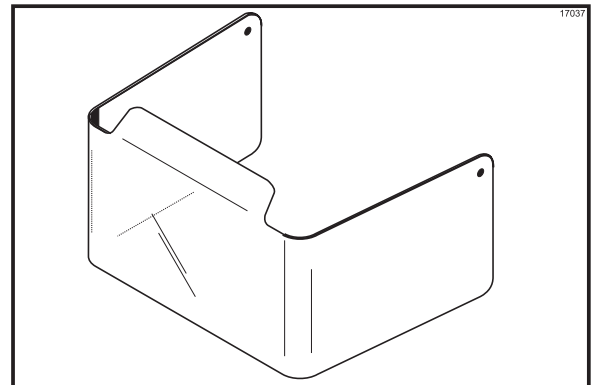


Figure 4

Motor

The motor features a heavy duty, ball bearing induction motor and does not use brushes, belts, couplings, or gears. This design reduces power consumption, heat, noise, and wear. The motor maintains an optimal speed of 3,485 RPM to maintain product consistency.

Permanent Agitator

The permanent agitator is manufactured from FDA and NSF approved, food safe material. **The shaft must be cleaned between servings** as product carryover will occur. (See page 23.)

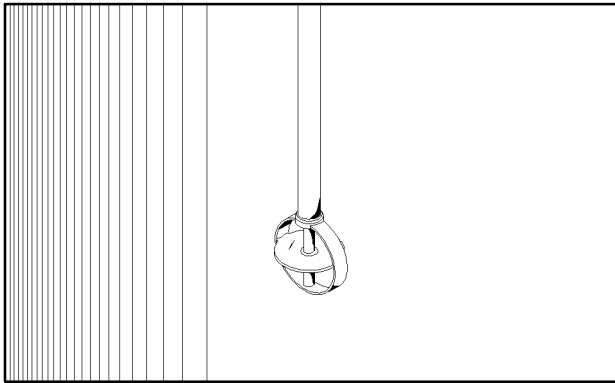


Figure 5

Candy Dispenser Canisters

The canisters contain the candy toppings. The operator dispenses the toppings by use of the dispenser handle.

Candy Care

Most candies have a tendency to “lump” or “cluster” under various conditions. This can lead to broken dispensing pucks if excessive pressure is required to move the handle.

- Store candies in the proper ambient conditions according to the manufacturer’s directions. Avoid excessively hot and humid locations.

- Avoid opening a bag of candy if the entire contents cannot be poured into the canister. If this cannot be avoided, be sure to fold the bag opening over and reseal it with a bag clip. Store it in a cool, dry place until needed again.
- Rotate the candy stock to use the oldest candy first (First in–First–out).
- Before opening a new bag of candy, check to see if it contains large lumps by slightly squeezing the bag. If lumps exist, gently break them apart with your fingers prior to opening the bag.

Canister Care and Location

- Avoid mounting canisters near heat, humidity, or hot air discharges. These conditions can promote lumping and difficult dispensing of candies.
- Always keep candies protected from the open ambience by having the lids properly installed on top of the canisters when candies are present.
- When canisters are not cleaned daily, candy dust and powers begin to congeal and will cause excessive pressure to be exerted in order to dispense candies. This additional pressure can cause the pucks to break.
- Avoid “slamming” the dispensing handle back and forth when dispensing candies. This can cause the puck to break.
- Do not apply undue force on the handle to make the puck move. If a “lock up” condition occurs, empty the dispenser of candies. Disassemble, clean and thoroughly dry the dispenser according to cleaning instructions. Eliminate clusters and lumps before refilling the canister.
- When reassembling the canister, take care not to over-tighten the handle into the “puck bushing”. After the handle has been screwed into the puck bushing, check tightness by unscrewing it slightly to be sure it requires little effort to unscrew. Then reset it.

Section 6

Operating Procedures

Mixing Instructions

Make sure your hands are clean and sanitized before performing these steps.

Step 1

Fill a serving cup with soft serve product and install the plastic domed lid.

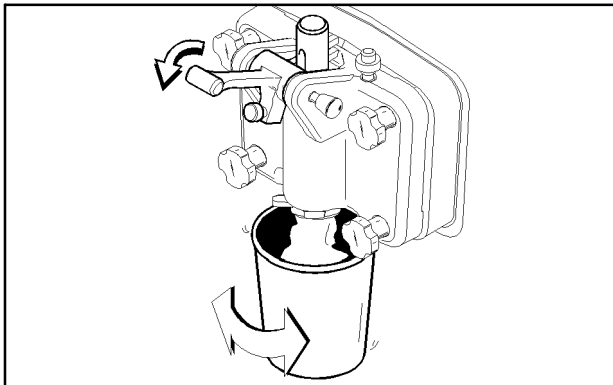


Figure 6

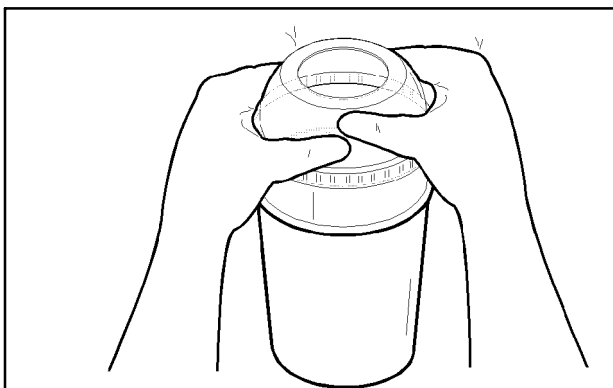


Figure 7

Step 2

Add “mix-in” ingredients such as liquid flavoring, candy, cookies, fruit, or other condiments.

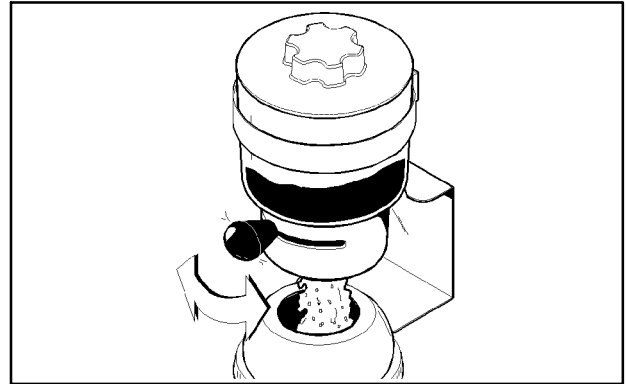


Figure 8

Step 3

Place the control switch in the “ON” position.

Step 4

Hold the cup securely in place beneath the agitator, and step on the foot pedal. Using a circular motion, work the cup upward and over the spinning agitator.

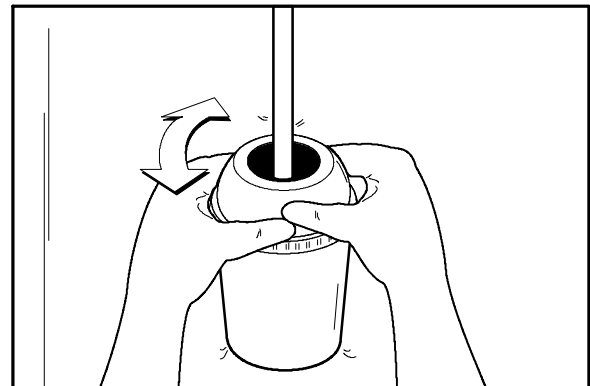


Figure 9

Select International Units: For select International units which are not equipped with a foot pedal, the control switch must be pressed during agitation.

Note: Agitation will chip and break down solids. It is not intended to completely pulverize ingredients because solid chunks should be evident in the finished product.

CAUTION: The permanent agitator is designed to withstand reasonable contact with the spinning agitator shaft. However, it should not be forced or held solidly against the side or bottom of the cup. This may cause damage to the cup or components.

Step 5

After about 10 seconds have elapsed, slowly remove the cup by “swirling” it around the agitator. This will create an effect that is pleasing to the eye, and avoids leaving a hole in the center of the product.

Step 6

Before removing the cup completely, hold the top edge of the cup near the spinning agitator to allow excess mixture to be projected into the cup or the mix-through collar.

Step 7

Release the foot pedal or place the control switch in the “OFF” position.

Step 8

Prepare a durable container with an approved cleaning solution (example: Kay-5®). USE HOT WATER (110°F/43°C) AND FOLLOW THE MANUFACTURER’S SPECIFICATIONS. If another approved cleaner is used, dilute according to label instructions. (**IMPORTANT:** Follow label directions, as too STRONG of a solution can cause parts damage, while too MILD of a solution will not provide adequate cleaning.) Make sure all brushes provided with the freezer are available for brush cleaning. **Do not use a solution that contains ammonia.**

Note: The container must be deep enough to submerge the entire agitator and shaft.

Step 9

Submerge the agitator in the cleaning solution, all the way to the bottom of the motor chamber. Step on the foot pedal or place the control switch in the “ON” position. Allow the agitator to run for about 15 seconds. Repeat this step several times, making certain all portions of the agitator and shaft have been submerged in the cleaning solution.



WARNING: Never try to wipe clean the agitator while it is active. Failure to follow these instructions can lead to severe personal injury from hazardous moving parts, or damage to the unit.

Cleaning

The Taylor Company recommends daily cleaning.



Step 1

Prepare a sink with an approved cleaning solution (example: Kay-5®). USE HOT WATER (110°F/43°C) AND FOLLOW THE MANUFACTURER’S SPECIFICATIONS. Do not use a solution that contains ammonia, and avoid placing components in a dishwasher.

Step 2



Disconnect power from the wall receptacle. Failure to comply may result in electrical shock.

Step 3

Remove the splash guard.

Wall mount units only (BW11):

Remove the sliding splash guard cup by squeezing the travel rods together and sliding the guard downward. Take the cup to the sink for cleaning.

Step 4

Wash the splash guard in the approved cleaning solution.

Step 5

Using a single service towel (moistened with the cleaning solution), wipe clean the travel rods and the agitator shaft.

CAUTION: DO NOT REMOVE THE TRAVEL RODS FROM THE UNIT.

Step 6

Remove the dispenser from the bracket by tilting it toward you and lifting upward.

Step 7

Discard any remaining topping.

Step 8

Remove the cover, shaft, dispensing plate, and dispensing puck. Unscrew the handle from the dispensing puck.

Step 9

Check all parts for cracks and damage, especially the puck. Replace damaged parts immediately.

Step 10

Wash all plastic parts in the approved cleaning solution. **CAUTION: PLASTIC PARTS ARE NOT DISHWASHER SAFE! HAND WASH ONLY!**

Step 11

Re-assemble the dispenser. Make sure the dispensing puck is placed in the canister with the counterbore face down and with the threaded insert facing the slot.

Note: Parts must be dry prior to assembling and refilling them with mix ingredients.

Step 12

Screw the handle through the slot and into the metal insert in the dispensing puck. Place the dispensing plate on top of the dispensing puck.

Step 13

Position the shaft through the plate and into the slot in the dispensing puck. Make certain the shaft is properly seated.

Step 14

Install the dispenser. Place the dispenser on the wall bracket with the locating pin facing the holding bracket. The dispenser must be tilted toward the operator to clear the handle. Insert the pin into the hole in the bracket.

Note: When loading the dispenser with product, keep powder away from the top of the shaft. Fill the canister only within one inch of the top. **Do not overfill the canister.**

Step 15

Wipe clean all stainless steel surfaces with an approved, non-abrasive commercial cleaner. This includes the mixer, dispenser, and organizer surfaces.



WARNING: Do not spray water or other liquid around the motor chamber. Do not use excess liquid around the switch, motor protector, power cords, or cord entry orifice. Make certain all areas in and around the motor are dry before connecting power to the wall receptacle. Failure to comply may cause equipment damage or personal injury due to electric shock.

Step 16

When foot pedal cleaning is required, disconnect it and wipe it with a damp single service towel. Make sure the foot pedal is thoroughly dry before re-connecting it to the unit.



CAUTION: The foot pedal should be kept dry. Do not leave it on the floor during mopping. Failure to comply may result in electrical shock.

Permanent Agitator Cleaning

Step 1

Prepare a durable container with an approved cleaning solution (example: Kay-5®). **USE HOT WATER (110°F/43°C) AND FOLLOW THE MANUFACTURER'S SPECIFICATIONS.** Do not use a solution that contains ammonia.

Note: The container must be deep enough to submerge the entire agitator and shaft.

Step 2

Submerge the agitator in the cleaning solution, all the way to the bottom of the motor chamber. Step on the foot pedal or place the control switch in the "ON" position. Allow the agitator to run for about 15 seconds. Repeat this step several times, making certain all portions of the agitator and shaft have been submerged in the cleaning solution.



WARNING: Never try to wipe clean the agitator while it is active. Failure to follow these instructions can lead to severe personal injury from hazardous moving parts, or damage to the unit.

Step 3

Repeat Step 2 using cool, clean water in lieu of cleaning solution.

Sanitizing

Step 1

Repeat all steps of the cleaning procedure using an approved 100 PPM sanitizing solution (example: Kay-5®). **USE WARM WATER AND FOLLOW THE MANUFACTURER'S SPECIFICATIONS.**

Step 2

Reinstall the splash guard.

Step 3

Repeat the sanitizing procedures at the start of the day.



ALWAYS FOLLOW LOCAL HEALTH CODES

BC10 / BW11 Razzle Blenders

DESCRIPTION	PART NUMBER	BC10 QTY.	BW11 QTY.	WARR. CLASS	REMARKS	PARTS UPDATE
AGITATOR-MIXER-PERM SOFT SERVE	051497	1	1	000	SOFT SERVE ONLY	
AGITATOR-MIXER-PERM HARD SERVE	051498	1	1	000	HARD SERVE ONLY	
BASE-MIXER-WALL MOUNT	051517		1	000		
BRAKE (SEAL) MIXER	051485	1	1	000		
BREAKER-CIRCUIT-3 AMP (120V)	051490	1	1	000		
BREAKER-CIRCUIT-5 AMP (220/240V)	051489	1	1	000		
BUMPER-TRAVEL ROD	051514		1	000		
BUSHING-TRAVEL ROD	051522		4	000		
CAP-MIXER	051484	1		000		
CAP-CRIMP-MIXER	051504	2		000		
CAPACITOR-MIXER (120V)	051482	1	1	000		
CAPACITOR-MIXER (220/240V)	051483	1	1	000		
CORD-MIXER-18/3 GROUNDED	051491	1	1	000		
COVER-MIXER-TOP-WALL MOUNT	051516		1	000		
FASTENER-MIXER	051515		8	000		
FOOT A.-MIXER-PLUGGED	051500	4		000		
GUARD-SPLASH-MIXER	051499	1		000		
GUARD-SPLASH-MIXER-CUP	051518		1	000		
GUARD-SWITCH-MIXER	051505	1	1	000		
JUMPER WIRES-MIXER	051486	2		000		
JUMPER WIRES-WALL MOUNT	051525		2	000		
KIT-DRIP PAN *BW11*	052429		1	000		
KIT-MOUNTING *BW11* (BRACKET)	052428		1	000		
LABEL-MIXER-COUNTER-RAZZLE	052250	1		000		
LABEL-MIXER-WALL MOUNT-RAZZLE	052251		3	000		
LIMITER-CUP	051526	1		000		
MAN-OPER-MIXER-RAZZLE	052544-M	1	1	000		
MOTOR-MIXER (120V)	051481-12	1	1	000	INCLUDES CAPACITOR	130
PLATE-MOTOR-MOUNTING	051481-1	1	1	000		
BEARING-MIXER MOTOR	051481-2	1	1	000		
SCREW-MOTOR MOUNTING	051481-3	4	4	000		
MOTOR-MIXER (220/240V)	051481-27	1	1	000	INCLUDES CAPACITOR	130
PLATE-MOTOR-MOUNTING	051481-1	1	1	000		
BEARING-MIXER MOTOR	051481-2	1	1	000		
SCREW-MOTOR MOUNTING	051481-3	4	4	000		
PAD-VIBRATION DAMPNER	051521		1	000		

+ Available Separately

DESCRIPTION	PART NUMBER	BC10 QTY.	BW11 QTY.	WARR. CLASS	REMARKS	PARTS UPDATE
PEDAL-FOOT-MIXER-115 VOLT	052451	1	1	000	NEW STYLE (REPLACES 051501)	
TRANSMITTER-FOOT PEDAL	052451-1	1	1	000	INCLUDES SHROUD	131
CONTROLLER-FOOT PEDAL-115VOLT	052451-2	1	1	000		131
TUBE-AIR-FOOT PEDAL	052451-3	1	1	000		131
PEDAL-FOOT-MIXER-220 VOLT	053192	1	1	000	S/N 912480000/LJP (5/4/98) - 50HZ	136
TRANSMITTER-FOOT PEDAL	052451-1	1	1	000		136
SWITCH-PRESSURE-220V	053192-1	1	1	000		136
TUBE-AIR-FOOT PEDAL	052451-3	1	1	000		136
PIN-PIVOT	051507	4		000	FOR SPLASH GUARD-051499	
RELIEF STRAIN-MIXER-WALL MOUNT	051524		1	000		
RELIEF STRAIN-MIXER-RIGHT ANGLE	051492	3		000		
ROD-TRAVEL	051513		1	000		
SCREW-MIXER-RETAINER CAP	051487	3		000		
SCREW-MIXER-MOUNTING PIVOT PIN	051508	4		000	FOR PIVOT PIN-051507	
SCREW-MIXER-MOTOR MOUNTING	051493	4	4	000		
SHAFT-MIXER-AGITATOR EXTENSION	051495	1		000		
SHAFT-MIXER-AGITATOR EXTENSION	051520		1	000		
SPACER-TUBE-12 OZ CUP	051523		2	000		
SLINGER-MIXER	051494	1	1	000	4/00 / PRIOR	
SWITCH-ROCKER	051488	1	1	000		
TAB-INSULATOR	051509	1	1	000		
TIES-CABLE	051502	3	3	000		
TEMPLATE-DISP. WALL MOUNT	051415-T		1	000		

+ Available Separately

Candy Dispenser Blender Accessories

DESCRIPTION	PART NUMBER	QTY.	WARR. CLASS	REMARKS	PARTS UPDATE
DISPENSER A.-2 LARGE & 2 SMALL CAN.	X52037-1				
BRACKET A.-CANDY DISP.WALL MNT	X52035	1	000		
CANISTER A.-LARGE CANDY DISP.	X53638-1	2	000		
CANISTER-CANDY TOP. DISP.LARGE	052033-1	1	000		
COVER-CANDY TOP. DISP.-LARGE	052032-1	1	000		
KNOB A.-CANDY TOPPING DISP.	X51564	1	000		
KNOB-CANDY TOPPING DISP.	051412	1	000		
STUD-CANDY DISPENSER 1/4-20	051413	1	000		
PLATE-INSERT CAN. TOP. DISP.	053581	1	000		
PUCK A.-CANDY TOPPING DISP.	X52027	1	000		
SHAFT A.-LARGE CANDY TOPPING	X53530-1	1	000		
CANISTER A.-SMALL CANDY DISP	X53638-2	2	000		
CANISTER-CANDY TOP. DISP.SMALL	052033-2	1	000		
COVER-CANDY TOP. DISP.-SMALL	052032-2	1	000		
KNOB A.-CANDY TOPPING DISP.	X51564	1	000	SEE BREAKDOWN ABOVE	
PLATE-INSERT CAN. TOP. DISP.	053581	1	000		
PUCK A.-CANDY TOPPING DISP.	X52027	1	000		
SHAFT A.-SMALL CANDY TOPPING	X53530-2	1	000		
KIT A.-DISPENSER WALL MOUNT	X52039	1	000		
ANCHOR-TOGGLE WING ZINC PLAT	051444	3	000		
SCREW-10-24X2 SLTD PAN HD SS	051443	3	000		
TEMPLATE-DISPENSER WALL MOUNT	052041-T	1	000		
DISPENSER A.-4 SMALL CAN.	X52037-2				
BRACKET A.-CANDY DISP.WALL MNT	X52035	1	000		
CANISTER A.-SMALL CANDY DISP	X53638-2	2	000	SEE BREAKDOWN ABOVE	
KIT A.-DISPENSER WALL MOUNT	X52039	1	000	SEE BREAKDOWN ABOVE	
DISPENSER A.-2 LG/ 2SM*LG PUCKS	X52037-3				
BRACKET A.-CANDY DISP.WALL MNT	X52035	1	000		
CANISTER A.-LARGE W/LARGE PUCK	X53638-3	2	000		
CANISTER-CANDY TOP. DISP.LARGE	052033-1	1	000		
COVER-CANDY TOP. DISP.-LARGE	052032-1	1	000		
KNOB A.-CANDY TOPPING DISP.	X51564	1	000	SEE BREAKDOWN ABOVE	
PLATE-INSERT*W/POSTS*LG PUCK*	053582	1	000		
PUCK A.-LARGE CANDY DISPENSER	X51404	1	000		
SHAFT A.-LARGE CANDY TOPPING	X53530-1	1	000		

+ Available Separately

DESCRIPTION	PART NUMBER	QTY.	WARR. CLASS	REMARKS	PARTS UPDATE
CANISTER A.-SMALL W/LARGE PUCK	X53638-4	2	000		
CANISTER-CANDY TOP. DISP.SMALL	052033-2	1	000		
COVER-CANDY TOP. DISP.-SMALL	052032-2	1	000		
KNOB A.-CANDY TOPPING DISP.	X51564	1	000	SEE BREAKDOWN ABOVE	
PLATE-INSERT*W/POSTS*LG PUCK*	053582	1	000		
PUCK A.-LARGE CANDY DISPENSER	X51404	1	000		
SHAFT A.-SHORT W. AGITATORS	X53530-2	1	000		
KIT A.-DISPENSER WALL MOUNT	X52039	1	000	SEE BREAKDOWN ABOVE	
DISPENSER A.- 4 SMALL LG. PUCK	X52037-4				
BRACKET A.-CANDY DISP.WALL MNT	X52035	1	000		
KIT A.-DISPENSER WALL MOUNT	X52039	1	000	SEE BREAKDOWN ABOVE	
CANISTER A.-SMALL W/LARGE PUCK	X53638-4	4	000	SEE BREAKDOWN ABOVE	
DISPENSER A.-2 SMALL CAN.	X52078-1				
BRACKET A.-2 CANISTERS	X51414	1	000		
CANISTER A.-SMALL CANDY DISP.	X53638-2	2	000	SEE BREAKDOWN ABOVE	
KIT A.-DISPENSER-2 CANISTER MOUNT	X51441	1	000		
ANCHOR-TOGGLE WING ZINC PLAT	051444	3	000		
SCREW-10-24X2 SLTD PAN HD SS	051443	3	000		
TEMPLATE-DISP. WALL MOUNT	051415-T	1	000		
DISPENSER A.-2 LARGE CAN.	X52078-2				
BRACKET A.-2 CANISTERS	X51414	1	000		
CANISTER A.-LARGE CANDY DISP.	X53638-1	2	000	SEE BREAKDOWN ABOVE	
KIT A.-DISPENSER-2 CANISTER MOUNT	X51441	1	000	SEE BREAKDOWN ABOVE	
DISPENSER A.-HOOD/COUNTER MOUNT	X52566-1				
BRACKET A.-SPLITBACK DISP.	X52556	2	000	2 SMALL, 2 LARGE CANISTERS	
BRACKET A.-HOOD*8634*8784*	X52559	1	000		
CANISTER A.-LARGE CANDY DISP.	X53638-1	2	000	SEE BREAKDOWN ABOVE	
CANISTER A.-SMALL CANDY DISP.	X53638-2	2	000	SEE BREAKDOWN ABOVE	
INSTRUCTION-CANDY DISP.	X52566-INS	1	000		
KIT A.-HOOD/COUNTER/WALL MNT	X52567	1	000		
SCREW-10-32X1/2 OVAL HD-NP	001251	8	000		
COLLAR-HOLDING	046551	8	000		
SCREW-10-24X2 SLTD PAN HD SS	051443	6	000		
ANCHOR-TOGGLE WING ZINC PLAT	051444	6	000		
BRACKET A.-COUNTERTOP/WALL MT	X52618	2	000		

+ Available Separately

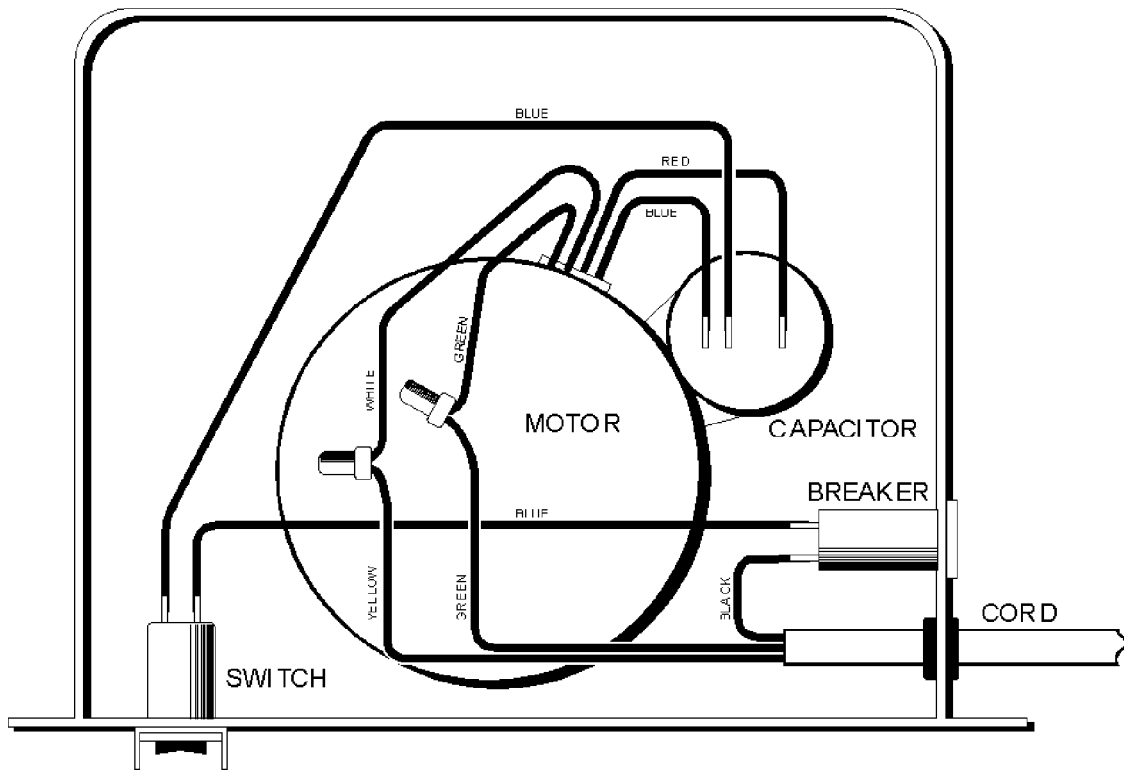
DESCRIPTION	PART NUMBER	QTY.	WARR. CLASS	REMARKS	PARTS UPDATE
TRAY A.-HOOD MOUNT	X53773	2	000		152
STRIP-MAGNETIC 2" L	042814-2	4	000		152
DISPENSER A.-HOOD/COUNTER MOUNT	X52566-2			4 SMALL	
BRACKET A.-SPLITBACK DISPENSER	X52556	2	000		
BRACKET A.-HOOD*8634*8784*	X52559	1	000		
CANISTER A.-SMALL CANDY DISP	X53638-2	2	000	SEE BREAKDOWN ABOVE	
INSTRUCTION-CANDY DISPENSER	X52566-INS	1	000		
KIT A.-HOOD/COUNTER/WALL MNT	X52567	1	000	SEE BREAKDOWN ABOVE	
TRAY A.-HOOD MOUNT	X53773	2	000	SEE BREAKDOWN ABOVE	152
DISPENSER A.-HOOD MNT. 4 LARGE	X52566-3				
BRACKET A.-SPLITBACK DISPENSER	X52556	2	000		
BRACKET A.-HOOD*8634*8784*	X52559	1	000		
CANISTER A.-LARGE CANDY DISP	X53638-1	2	000	SEE BREAKDOWN ABOVE	
INSTRUCTION-CANDY DISPENSER	X52566-INS	1	000		
KIT A.-HOOD/COUNTER/WALL MNT	X52567	1	000	SEE BREAKDOWN ABOVE	
TRAY A.-HOOD MOUNT	X53773	2	000	SEE BREAKDOWN ABOVE	
KIT A. HOOD MOUNT BRK'S ONLY	X52566-4			LESS CANISTERS	
BRACKET A.-SPLIT BACK DISPENSER	X52556	2	000		
BRACKET A.-HOOD	X52559	1	000		
KIT A.-HARDWARE FOR HD MNT BKT	X52567-4	1	000		
SCREW-10-32X1/2 OVAL HD-NP	001251	8	000		
COLLAR-HOLDING	046551	8	000		
TRAY A.-HOOD MOUNT	X53773	2	000	SEE BREAKDOWN ABOVE	152
DISPENSER A.-HOOD MNT/ONLY 2LG	X52566-5				
BRACKET A.-SPLIT BACK DISPENSER	X52556	1	000		
BRACKET A.-HOOD	X52559	1	000		
CANISTER A.-LARGE CANDY DISP	X53638-1	2	000	SEE BREAKDOWN ABOVE	
INSTRUCTION-CANDY DISPENSER	X52566-INS	1	000		
KIT A.-HARDWARE FOR HD MNT BKT	X52567-4	1	000		
TRAY A.-HOOD MOUNT	X53773	1	000	SEE BREAKDOWN ABOVE	152
DISPENSER A.-2LG CAN. W. BRKT	X52566-6				
BRACKET A.-SPLIT BACK DISPENSER	X52556	1	000		
CANISTER A.-LARGE CANDY DISP	X53638-1	2	000	SEE BREAKDOWN ABOVE	
INSTRUCTION-CANDY DISPENSER	X52566-INS	1	000		

+ Available Separately

DESCRIPTION	PART NUMBER	QTY.	WARR. CLASS	REMARKS	PARTS UPDATE
KIT A.-2 CAN./DISP. HARDWARE	X52567-2	1	000		
SCREW-10-32X1/2 OVAL HD-NP	001251	4	000		
COLLAR-HOLDING	046551	4	000		
TRAY A.-HOOD MOUNT	X53773	1	000	SEE BREAKDOWN ABOVE	152
DISPENSER A.-2 SMALL*VERTICAL	X53407-1				
BRACKET A.-2 VERTICAL WALL MNT	X53460	1	000		
CANISTER A.-SMALL CANDY DISP	X53638-2	2	000	SEE BREAKDOWN ABOVE	
KIT A. 2 VERTICAL WALL MOUNT	X53461	1	000		
DISPENSER A.- LG - SNGL WALL MNT	X53492-1				
BRACKET A.-SINGLE CAN. WALL MNT	X53448	1	000		
CANISTER A.-LARGE CANDY DISP	X53638-1	1	000	SEE BREAKDOWN ABOVE	
KIT A.- SINGLE CAN. WALL MOUNT	X53490	1	000		
SCREW-10-32X1/2 OVAL HD-NP	001251	3	000		
COLLAR-HOLDING	046551	3	000		
DISPENSER A.- SM - SNGL WALL MNT	X53492-2				
BRACKET A.-SINGLE CAN. WALL MNT	X53448	1	000		
CANISTER A.-SMALL CANDY DISP	X53638-2	1	000	SEE BREAKDOWN ABOVE	
KIT A.- SINGLE CAN. WALL MOUNT	X53490	1	000	SEE BREAKDOWN ABOVE	
ACCESSORIES					
COLLAR-BLUE PLASTIC	051750		000		
CUP-12 OZ RAZZLE (1000/CASE)	051967		000		
CUP-16 OZ RAZZLE (1000/CASE)	051968		000		
LID- RAZZLE (1000/CASE)	051969		000		
ORGANIZER A.-CUP/LID	X52080		000		
SCREW-10-24 X 2 SLTD PAN HD	051444		000		
ANCHOR-TOGGLE WING ZINC PLATED	051443		000		
TEMPLA TE-ORGANIZER MOUNT	052177-T		000		
COLUMN-LID ORGANIZER	052084		000		
SCREW-1/4-15 X 1 HEX (COLUMN)	052139		000		
INSERT-SPOON BIN	052113		000		

+ Available Separately

Wiring Diagram



Free Manuals Download Website

<http://myh66.com>

<http://usermanuals.us>

<http://www.somanuals.com>

<http://www.4manuals.cc>

<http://www.manual-lib.com>

<http://www.404manual.com>

<http://www.luxmanual.com>

<http://aubethermostatmanual.com>

Golf course search by state

<http://golfingnear.com>

Email search by domain

<http://emailbydomain.com>

Auto manuals search

<http://auto.somanuals.com>

TV manuals search

<http://tv.somanuals.com>