

Models 8752 & 8756

Horizon® Pump Soft Serve Freezers

Original Operating Instructions

028752HPM



**11/17/09 (Original Publication)
(Updated 11/29/11)**

Complete this page for quick reference when service is required:

Taylor Distributor: _____

Address: _____

Phone: _____

Service: _____

Parts: _____

Date of Installation: _____

Information found on the data label:

Model Number: _____

Serial Number: _____

Electrical Specs: Voltage _____ Cycle _____

Phase _____

Maximum Fuse Size: _____ Amps

Minimum Wire Ampacity: _____ Amps

Part Number: _____

© November, 2009 Taylor
All rights reserved.
028752HPM



*The word Taylor and the Crown design
are registered trademarks in the United States
of America and certain other countries.*

Taylor Company
750 N. Blackhawk Blvd.
Rockton, IL 61072



Table of Contents

| | | |
|------------------|---|----|
| Section 1 | To the Installer | 1 |
| | Installer Safety | 1 |
| | Site Preparation | 1 |
| | Air Cooled Units | 1 |
| | Water Connections (Water Cooled Units Only) | 2 |
| | Electrical Connections | 2 |
| | Beater Rotation | 3 |
| | Refrigerant | 3 |
| Section 2 | To the Operator | 4 |
| | Compressor Warranty Disclaimer | 4 |
| Section 3 | Safety | 5 |
| Section 4 | Operator Parts Identification | 7 |
| | Model 8752 | 7 |
| | 8752 Beater Door Assembly | 9 |
| | Model 8756 | 10 |
| | 8756 Beater Door Assembly | 12 |
| | Horizon® Mix Delivery Pump | 13 |
| | Accessories | 14 |
| Section 5 | Important: To the Operator | 15 |
| | Symbol Definitions | 15 |
| | Power Switch | 16 |
| | Indicator Lights - “Mix Low” and “Mix Out” | 16 |
| | Reset Button | 16 |
| | “Softech” Control Operation | 16 |
| | Mix Ref | 16 |
| | Standby | 16 |
| | Wash | 16 |
| | Auto | 17 |
| | Pump | 17 |
| | Adjustable Draw Handle | 17 |
| | Air Flow Adjustment | 17 |

| | | |
|-------------------|---|----|
| Section 6 | Operating Procedures | 18 |
| | Assembly | 18 |
| | Horizon® Pump Assembly | 22 |
| | Sanitizing | 27 |
| | Air Flow Adjustment | 28 |
| | Priming | 29 |
| | Closing Procedure | 30 |
| | Draining Product From the Freezing Cylinder | 31 |
| | Rinsing | 31 |
| | Cleaning | 32 |
| | Disassembly | 33 |
| | Brush Cleaning | 33 |
| Section 7 | Important: Operator Checklist | 35 |
| | During Cleaning and Sanitizing | 35 |
| | Troubleshooting Bacterial Count | 35 |
| | Regular Maintenance Checks | 35 |
| | The Horizon® Pump | 36 |
| | Winter Storage | 36 |
| Section 8 | Troubleshooting Guide | 37 |
| Section 9 | Parts Replacement Schedule | 42 |
| Section 10 | Parts List | 43 |
| | Wiring Diagrams | 59 |

Note: Continuing research results in steady improvements; therefore, information in this manual is subject to change without notice.

Note: Only instructions originating from the factory or its authorized translation representative(s) are considered to be the original set of instructions.

© November, 2009 Taylor (Original Publication)
(Updated November, 2011)
All rights reserved
028752HPM



*The word Taylor and the Crown design
are registered trademarks in the United States
of America and certain other countries.*

Taylor Company
750 N. Blackhawk Blvd.
Rockton, IL 61072

Section 1

To the Installer

The following are general installation instructions. For complete installation details, please see the checkout card.

Installer Safety



In all areas of the world, equipment should be installed in accordance with existing local codes. Please contact your local authorities if you have any questions.

Care should be taken to ensure that all basic safety practices are followed during the installation and servicing activities related to the installation and service of Taylor equipment.

- Only authorized Taylor service personnel should perform installation and repairs on the equipment.
- Authorized service personnel should consult OSHA Standard 29CFR1910.147 or the applicable code of the local area for the industry standards on lockout/tagout procedures before beginning any installation or repairs.
- Authorized service personnel must ensure that the proper PPE is available and worn when required during installation and service.
- Authorized service personnel must remove all metal jewelry, rings, and watches before working on electrical equipment.



The main power supply(s) to the freezer must be disconnected prior to performing any repairs. Failure to follow this instruction may result in personal injury or death from electrical shock or hazardous moving parts as well as poor performance or damage to the equipment.

Note: All repairs must be performed by an authorized Taylor Service Technician.



This unit has many sharp edges that can cause severe injuries.

Site Preparation

Review the area the unit is to be installed in before uncrating the unit making sure that all possible hazards the user or equipment may come into have been addressed.

For Indoor Use Only: This unit is designed to operate indoors, under normal ambient temperatures of 70° - 75°F (21° - 24°C). The freezer has successfully performed in high ambient temperatures of 104°F (40°C) at reduced capacities.



This unit must **NOT** be installed in an area where a water jet or hose can be used. **NEVER** use a water jet or hose to rinse or clean the unit. Failure to follow this instruction may result in electrocution.



This unit must be installed on a level surface to avoid the hazard of tipping. Extreme care should be taken in moving this equipment for any reason. Two or more persons are required to safely move this unit. Failure to comply may result in personal injury or equipment damage.

Uncrate the unit and inspect it for damage. Report any damage to your Taylor Distributor.

This piece of equipment is made in the USA and has USA sizes of hardware. All metric conversions are approximate and vary in size.

Air Cooled Units

DO NOT obstruct air intake and discharge openings:

Air cooled units require a minimum of 3" (76 mm) of clearance around **all** sides of the freezer and 12" (305 mm) on top to allow for adequate air flow across the condenser(s). Failure to allow adequate clearance can reduce the refrigeration capacity of the freezer and possibly cause permanent damage to the compressor.

Water Connections (Water Cooled Units Only)

An adequate cold water supply must be provided with a hand shut-off valve. On the underside rear of the base pan, two 3/8" I.P.S. (for single-head units) or two 1/2" I.P.S. (for double-head units) water connections for inlet and outlet have been provided for easy hook-up. 1/2" inside diameter water lines should be connected to the machine. (Flexible lines are recommended, if local codes permit.) Depending on local water conditions, it may be advisable to install a water strainer to prevent foreign substances from clogging the automatic water valve. There will be only one water "in" and one water "out" connection for both single-head and double-head units. **DO NOT** install a hand shut-off valve on the water "out" line! Water should always flow in this order: first, through the automatic water valve; second, through the condenser; and third, through the outlet fitting to an **open trap drain**.



A back flow prevention device is required on the incoming water connection side. Please refer to the applicable National, State, and local codes for determining the proper configuration.

Electrical Connections

In the United States, this equipment is intended to be installed in accordance with the National Electrical Code (NEC), ANSI/NFPA 70-1987. The purpose of the NEC code is the practical safeguarding of persons and property from hazards arising from the use of electricity. This code contains provisions considered necessary for safety. Compliance therewith and proper maintenance will result in an installation essentially free from hazard!

In all other areas of the world, equipment should be installed in accordance with the existing local codes. Please contact your local authorities.



FOLLOW YOUR LOCAL ELECTRICAL CODES!

Each freezer requires one power supply for each data label. Check the data label(s) on the freezer for branch circuit overcurrent protection or fuse, circuit ampacity, and electrical specifications. Refer to the wiring diagram provided inside the control box for proper power connections.



CAUTION: THIS EQUIPMENT MUST BE PROPERLY GROUNDED! FAILURE TO DO SO CAN RESULT IN SEVERE PERSONAL INJURY FROM ELECTRICAL SHOCK!



This unit is provided with an equipotential grounding lug that is to be properly attached to the rear of the frame by the authorized installer. The installation location is marked by the equipotential bonding symbol (5021 of IEC 60417-1) on both the removable panel and the equipment's frame.



- Stationary appliances which are not equipped with a power cord and a plug or another device to disconnect the appliance from the power source must have an all-pole disconnecting device with a contact gap of at least 3 mm installed in the external installation.
- Appliances that are permanently connected to fixed wiring and for which leakage currents may exceed 10 mA, particularly when disconnected or not used for long periods, or during initial installation, shall have protective devices such as a GFI, to protect against the leakage of current and be installed by the authorized personnel to the local codes.
- Supply cords used with this unit shall be oil-resistant, sheathed flexible cable not lighter than ordinary polychloroprene or other equivalent synthetic elastomer-sheathed cord (Code designation 60245 IEC 57) installed with the proper cord anchorage to relieve conductors from strain, including twisting, at the terminals and protect the insulation of the conductors from abrasion.

Beater Rotation



Beater rotation must be clockwise as viewed looking into the freezing cylinder.

Note: The following procedures must be performed by an authorized Taylor service technician.

To correct the rotation on a three-phase unit, interchange any two incoming power supply lines at freezer main terminal block only.

To correct rotation on a single-phase unit, change the leads inside the beater motor. (Follow the diagram printed on the motor.)

Electrical connections are made directly to the terminal block provided in the splice box which is mounted on the base pan on the right side of the freezer for the Model 8752 and located in the splice boxes which are mounted mid-level on the frame channel on the right and left sides for the Model 8756.

Refrigerant



In consideration of our environment, Taylor proudly uses only earth friendly HFC refrigerants. The HFC refrigerant used in this unit is R404A. This refrigerant is generally considered non-toxic and non-flammable, with an Ozone Depleting Potential (ODP) of zero (0).

However, any gas under pressure is potentially hazardous and must be handled with caution.

NEVER fill any refrigerant cylinder completely with liquid. Filling the cylinder to approximately 80% will allow for normal expansion.



Refrigerant liquid sprayed onto the skin may cause serious damage to tissue. Keep eyes and skin protected. If refrigerant burns should occur, flush immediately with cold water. If burns are severe, apply ice packs and contact a physician immediately.



Taylor reminds technicians to be cautious of government laws regarding refrigerant recovery, recycling, and reclaiming systems. If you have any questions regarding these laws, please contact the factory Service Department.



WARNING: R404A refrigerant used in conjunction with polyolester oils is extremely moisture absorbent. When opening a refrigeration system, the maximum time the system is open must not exceed 15 minutes. Cap all open tubing to prevent humid air or water from being absorbed by the oil.

Section 2

To the Operator

The freezer you have purchased has been carefully engineered and manufactured to give you dependable operation. The Taylor Models 8752 and 8756 are highly sophisticated pieces of equipment, and when properly operated and cared for, will produce a consistent quality product. Like all mechanical products, they will require cleaning and maintenance. A minimum amount of care and attention is necessary if the operating procedures outlined in this manual are followed closely.

This Operator's Manual should be read before operating or performing any maintenance on your equipment.

Your freezer will NOT eventually compensate and correct for any errors during the set-up or filling operations. Thus, the initial assembly and priming procedures are of extreme importance. It is strongly recommended that all personnel responsible for the equipment's operation study these procedures together in order to be properly trained and to make sure that no misunderstandings exist.

In the event you should require technical assistance, please contact your local authorized Taylor Distributor.

Note: Warranty is valid only if the parts are authorized Taylor parts, purchased from an authorized Taylor Distributor, and the required service work is provided by an authorized Taylor service technician. Taylor reserves the right to deny warranty claims on equipment or parts if non-approved parts or refrigerant were installed in the machine, system modifications were performed beyond factory recommendations, or it is determined that the failure was caused by neglect or abuse.

Note: Constant research results in steady improvements; therefore, information in this manual is subject to change without notice.



If the crossed out wheeled bin symbol is affixed to this product, it signifies that this product is compliant with the EU Directive as well as other similar legislation in effect after August 13, 2005. Therefore, it must be collected separately after its use is completed, and cannot be disposed as unsorted municipal waste.

The user is responsible for returning the product to the appropriate collection facility, as specified by your local code.

For additional information regarding applicable local laws, please contact the municipal facility and/or local distributor.

Compressor Warranty Disclaimer

The refrigeration compressor(s) on this machine are warranted for the term indicated on the warranty card accompanying this machine. However, due to the Montreal Protocol and the U.S. Clean Air Act Amendments of 1990, many new refrigerants are being tested and developed, thus seeking their way into the service industry. Some of these new refrigerants are being advertised as drop-in replacements for numerous applications. It should be noted that, in the event of ordinary service to this machine's refrigeration system, **only the refrigerant specified on the affixed data label should be used.** The unauthorized use of alternate refrigerants will void your compressor warranty. It will be the owner's responsibility to make this fact known to any technician he employs.

It should also be noted that Taylor does not warrant the refrigerant used in its equipment. For example, if the refrigerant is lost during the course of ordinary service to this machine, Taylor has no obligation to either supply or provide its replacement either at billable or unbillable terms. Taylor does have the obligation to recommend a suitable replacement if the original refrigerant is banned, obsoleted, or no longer available during the five year warranty of the compressor.

The Taylor Company will continue to monitor the industry and test new alternates as they are being developed. Should a new alternate prove, through our testing, that it would be accepted as a drop-in replacement, then the above disclaimer would become null and void. To find out the current status of an alternate refrigerant as it relates to your compressor warranty, call the local Taylor Distributor or the Taylor Factory. Be prepared to provide the Model/Serial Number of the unit in question.

Section 3

Safety

We, at Taylor Company, are concerned about the safety of the operator when he or she comes in contact with the freezer and its parts. Taylor has gone to extreme efforts to design and manufacture built-in safety features to protect both you and the service technician. As an example, warning labels have been attached to the freezer to further point out safety precautions to the operator.



IMPORTANT - Failure to adhere to the following safety precautions may result in severe personal injury or death. Failure to comply with these warnings may damage the machine and its components. Component damage will result in part replacement expense and service repair expense.



DO NOT operate the freezer without reading this Operator Manual. Failure to follow this instruction may result in equipment damage, poor freezer performance, health hazards, or personal injury.

Per IEC 60335-1 and its part 2 standards, "This appliance is to be used only by trained personnel. It is not intended for use by children or people with reduced physical, sensory, or mental capabilities, or lack of experience and knowledge, unless given supervision or instruction concerning the use of the appliance by a person responsible for their safety."



This unit is provided with an equipotential grounding lug that is to be properly attached to the rear of the frame by the authorized installer. The installation location is marked by the equipotential bonding symbol (5021 of IEC 60417-1) on both the removable panel and the equipment's frame.



DO NOT use a water jet to clean or rinse the freezer. Failure to follow these instructions may result in serious electrical shock.



- **DO NOT** operate the freezer unless it is properly grounded.
- **DO NOT** operate the freezer with larger fuses than specified on the freezer data label.
- All repairs must be performed by an authorized Taylor service technician. The main power supplies to the machine must be disconnected prior to performing any repairs.
- Cord Connected Units: Only Taylor authorized service technicians may install a plug on this unit.
- Stationary appliances which are not equipped with a power cord and a plug or another device to disconnect the appliance from the power source must have an all-pole disconnecting device with a contact gap of at least 3 mm installed in the external installation.
- Appliances that are permanently connected to fixed wiring and for which leakage currents may exceed 10 mA, particularly when disconnected or not used for long periods, or during initial installation, shall have protective devices such as a GFI, to protect against the leakage of current and be installed by the authorized personnel to the local codes.
- Supply cords used with this unit shall be oil-resistant, sheathed flexible cable not lighter than ordinary polychloroprene or other equivalent synthetic elastomer-sheathed cord (Code designation 60245 IEC 57) installed with the proper cord anchorage to relieve conductors from strain, including twisting, at the terminals and protect the insulation of the conductors from abrasion.

Failure to follow these instructions may result in electrocution. Contact your local authorized Taylor Distributor for service.



- **DO NOT** allow untrained personnel to operate this machine.
- **DO NOT** operate the freezer unless all service panels and access doors are restrained with screws.
- **DO NOT** remove any internal operating parts (examples: freezer door, beater, scraper blades, etc.) unless all control switches are in the OFF position.

Failure to follow these instructions may result in severe personal injury to fingers or hands from hazardous moving parts.



This unit has many sharp edges that can cause severe injuries.

- **DO NOT** put objects or fingers in the door spout. This may contaminate the product and cause severe personal injury from blade contact.
- **USE EXTREME CAUTION** when removing the beater assembly. The scraper blades are very sharp.



This freezer must be placed on a level surface. Failure to comply may result in personal injury or equipment damage.



Cleaning and sanitizing schedules are governed by your state or local regulatory agencies and must be followed accordingly. Please refer to the cleaning section of this manual for the proper procedure to clean this unit.

DO NOT obstruct air intake and discharge openings: 3" (76 mm) minimum air space on sides and rear, and 12" (305 mm) minimum on top. Failure to follow this instruction may cause poor freezer performance and damage to the machine.

For Indoor Use Only: This unit is designed to operate indoors, under normal ambient temperatures of 70° - 75°F (21° - 24°C). The freezer has successfully performed in high ambient temperatures of 104° (40°C) at reduced capacities.

NOISE LEVEL: Airborne noise emission does not exceed 78 dB(A) when measured at a distance of 1.0 meter from the surface of the machine and at a height of 1.6 meters from the floor.

Section 4

Operator Parts Identification

Model 8752

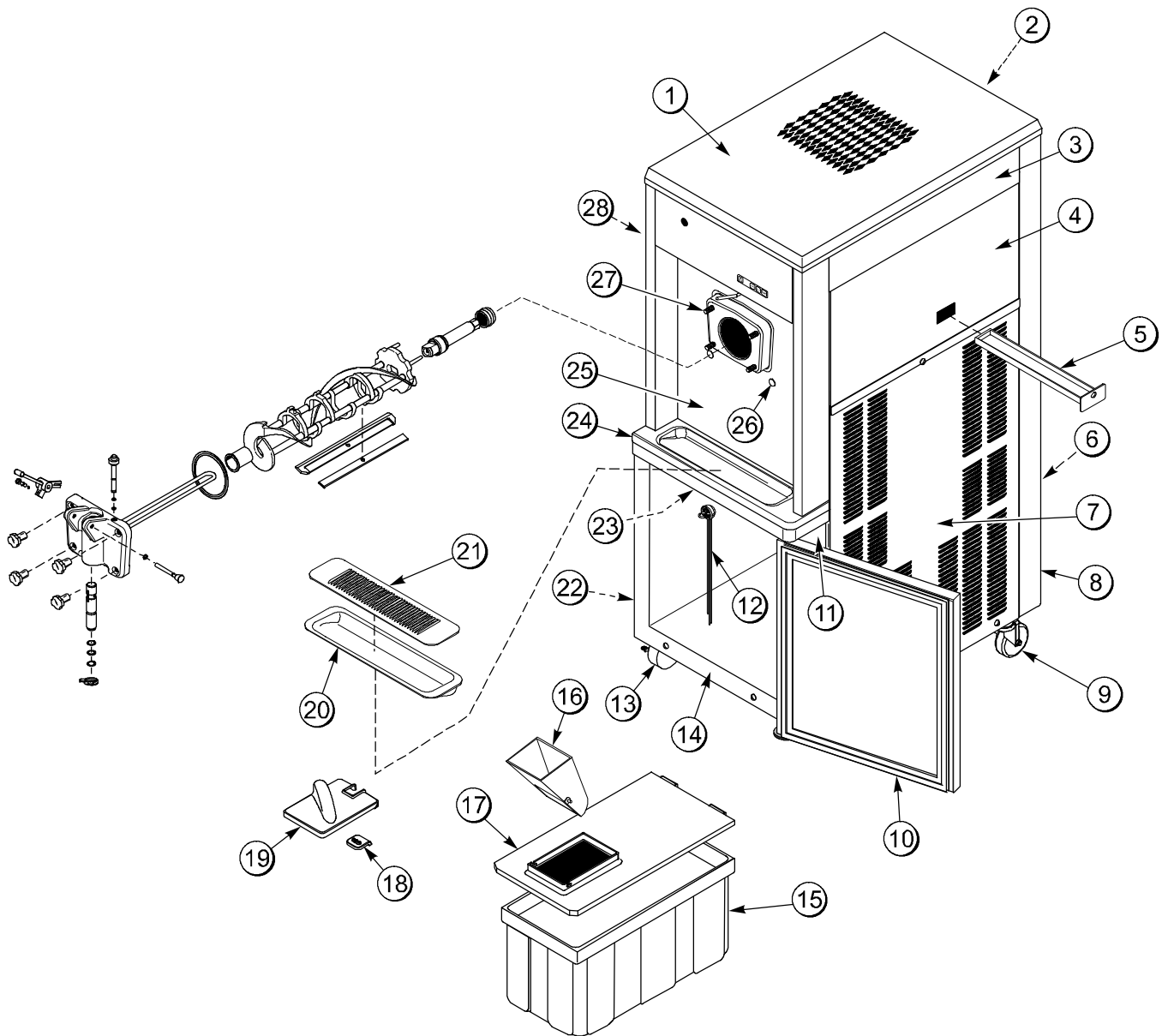


Figure 1

Model 8752 Parts Identification

| ITEM | DESCRIPTION | PART NO. |
|------|-----------------------------------|------------|
| 1 | HOOD | 050464 |
| 2 | PANEL-UPPER REAR | 022074 |
| 3 | TRIM A.-UPPER SIDE | X22423 |
| 4 | PANEL-UPPER SIDE RIGHT | 028600 |
| 5 | PAN-DRIP | 027503 |
| 6 | PANEL-LOWER REAR | 025128 |
| 7 | PANEL A.-LOWER SIDE | X23956-SER |
| 8 | TRIM-REAR CORNER | 022071 |
| 9 | CASTER-SWV-3/4-10 ST. 3IN WHEEL | 021279 |
| 10 | GASKET-CAB MIX DOOR | 020134 |
| 11 | TRIM-FRONT RIGHT | 024825 |
| 12 | PROBE A.-MIX | X35981 |
| 13 | CASTER-3" SWV 3/4-10 STEM W/BRAKE | 030307 |
| 14 | TRIM-BOTTOM MIX DOOR | 024974 |

| ITEM | DESCRIPTION | PART NO. |
|------|---------------------------------|-----------|
| 15 | TANK - MIX | 020275 |
| 16 | FUNNEL-MIX | 036637 |
| 17 | COVER-MIX TANK | X38726 |
| 18 | BOOT-MIX COVER | 037200 |
| 19 | COVER-MIX STORAGE-CENTER SINGLE | 038827 |
| 20 | TRAY-DRIP | 020157 |
| 21 | SHIELD-SPLASH 23" LONG | 022765 |
| 22 | TRIM-FRONT L. | 024824-SP |
| 23 | TRIM-MIX DOOR | 024976 |
| 24 | TRIM A.-SHELF | X20426 |
| 25 | PANEL A.-FRONT | X22997 |
| 26 | BOLT-CARRIAGE 1/4-20 X 3/4ST | 012347 |
| 27 | STUD-NOSE CONE | 022822 |
| 28 | PANEL-UPPER SIDE LEFT | 028599 |

8752 Beater Door Assembly

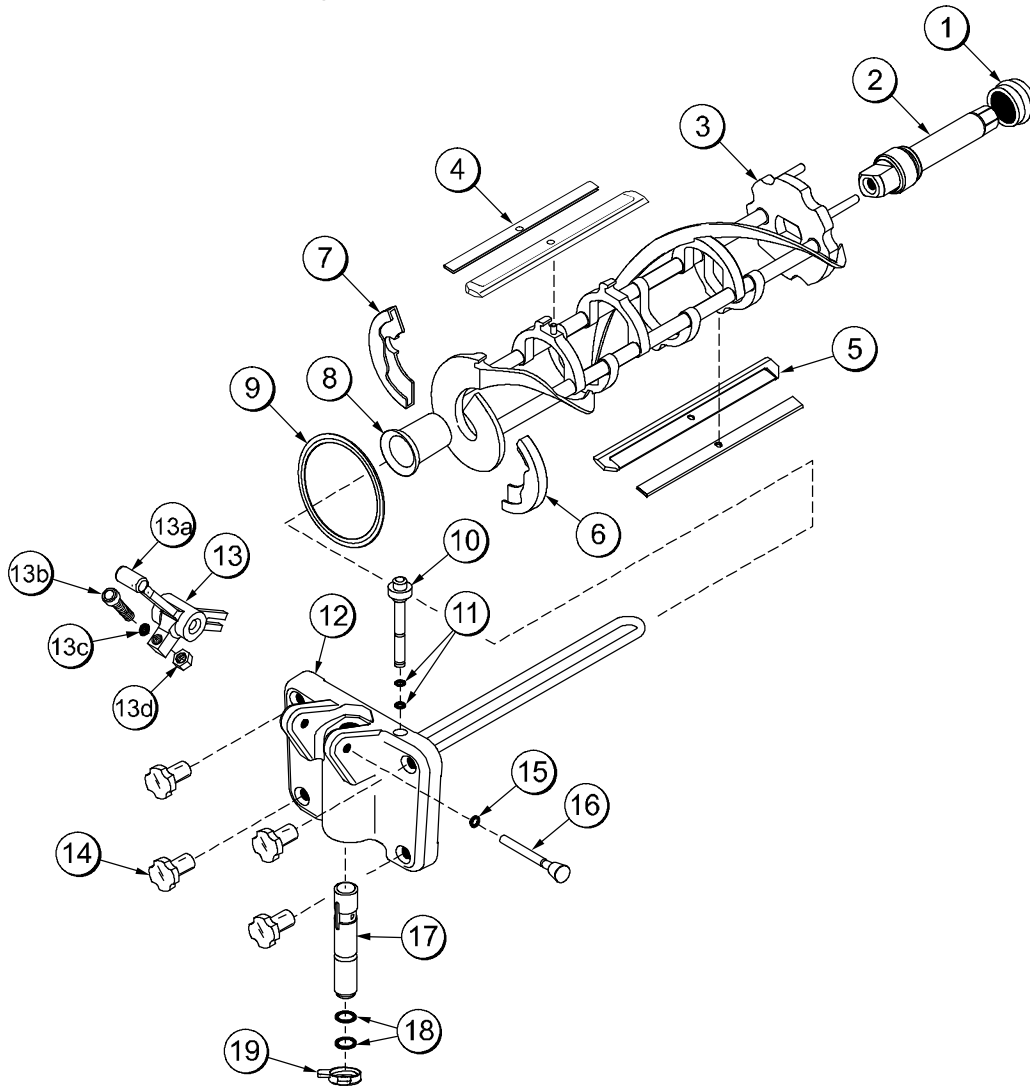


Figure 2

| ITEM | DESCRIPTION | PART NO. |
|------|-------------------------|----------|
| 1 | SEAL-DRIVE SHAFT | 032560 |
| 2 | SHAFT-BEATER | 032564 |
| 3 | BEATER A.-3.4QT-1 PIN | X46231 |
| 4 | CLIP-SCRAPER-BLADE*7.00 | 046236 |
| 5 | BLADE-SCRAPER-PLASTIC | 046235 |
| 6 | SHOE-FRONT HELIX-FRONT | 050347 |
| 7 | SHOE-FRONT HELIX-REAR | 050346 |
| 8 | BEARING-FRONT-SHOE | 050348 |
| 9 | GASKET-DOOR HT 4\"-DBL | 048926 |
| 10 | PLUG-PRIME | 028805 |
| 11 | O-RING-3/8 OD X .070W | 016137 |
| 12 | DOOR A.-1 SPOUT | X49460-3 |

| ITEM | DESCRIPTION | PART NO. |
|------|---------------------------|------------|
| 13 | HANDLE A.-DRAW-ADJ. | X55096 |
| 13a | HANDLE-ADJUSTABLE | 028804 |
| 13b | SCREW-ADJUSTMENT | 055092 |
| 13c | O-RING-1/4 OD X .070W 50 | 015872 |
| 13d | NUT-JAM | 029639-BLK |
| 14 | NUT-STUD | 021508 |
| 15 | O-RING-5/16 OD X .070W | 016272 |
| 16 | PIN A.-PIVOT | X22820 |
| 17 | VALVE A.-DRAW | X18303 |
| 18 | O-RING-7/8 OD X .103W | 014402 |
| 19 | CAP-DESIGN-1.010\"ID-6 PT | 014218 |

Model 8756

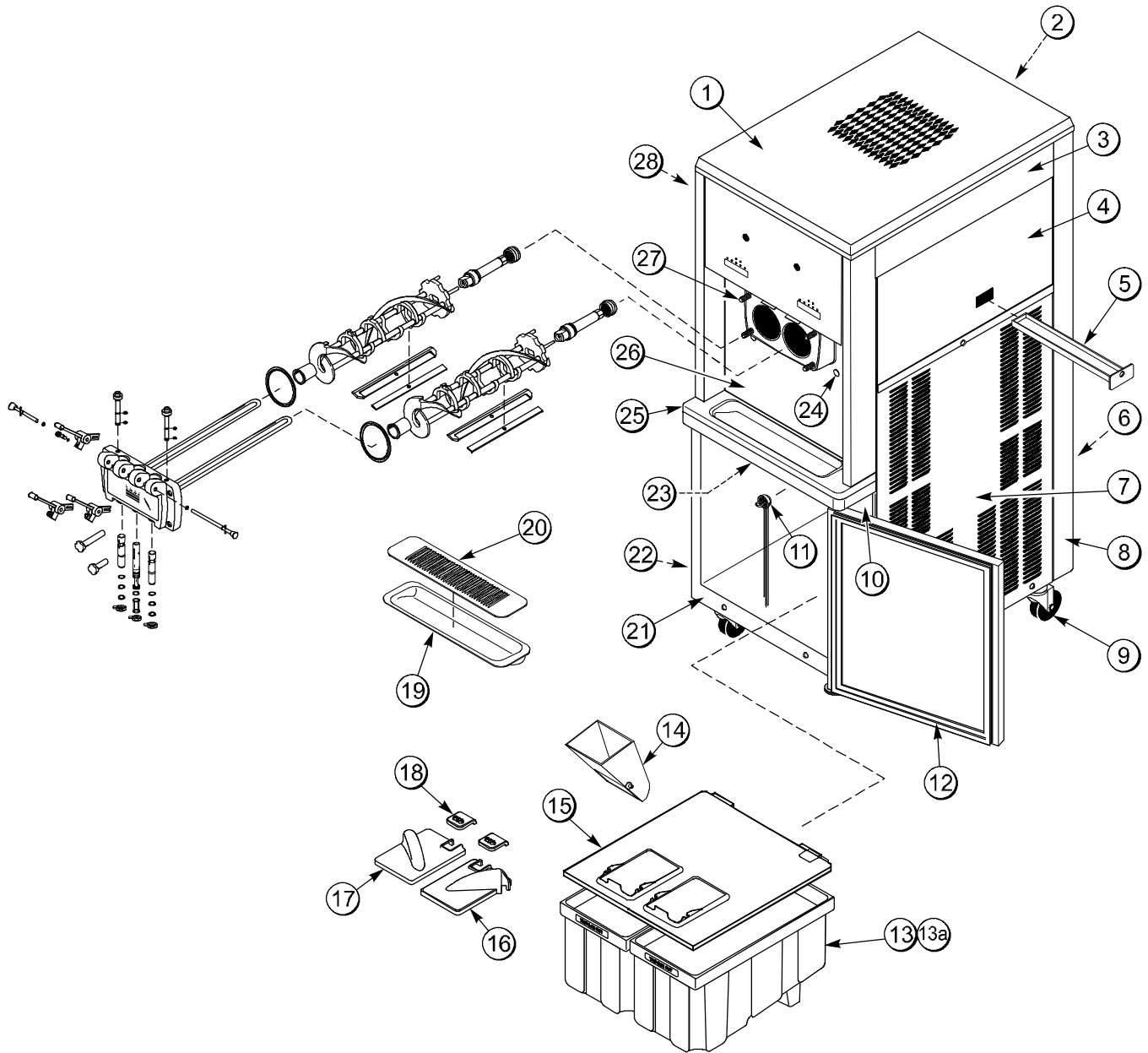


Figure 3

Model 8756 Parts Identification

| ITEM | DESCRIPTION | PART NO. |
|------|---------------------------------|------------|
| 1 | HOOD | 048526 |
| 2 | PANEL-UPPER REAR | 022015 |
| 3 | TRIM A.-SIDE | X22424 |
| 4 | PANEL-UPPER SIDE RIGHT | 028600 |
| 5 | PAN-DRIP | 027504 |
| 6 | PANEL-LOWER REAR | 023598 |
| 7 | PANEL A.-LOWER SIDE | X23956-SER |
| 8 | TRIM-REAR CORNER | 022013 |
| 9 | CASTER-SWV-3/4-10 ST. 3IN WHEEL | 021279 |
| 10 | TRIM-FRONT-RIGHT | 024825 |
| 11 | PROBE A.-MIX | X35981 |
| 12 | GASKET-CAB MIX DOOR | 024629 |
| 13 | TANK A.-MIX W/DECALS | X38755-SER |
| 13a | TANK-MIX 9-GALLON TAPERED BTM | 034928 |

| ITEM | DESCRIPTION | PART NO. |
|------|----------------------------|-----------|
| 14 | FUNNEL-MIX | 036637 |
| 15 | COVER-MIX TANK | 024590 |
| 16 | COVER-MIX STORAGE RIGHT | 037139 |
| 17 | COVER-MIX STORAGE LEFT | 037138 |
| 18 | BOOT-MIX COVER | 037200 |
| 19 | TRAY-DRIP | 014533 |
| 20 | SHIELD-SPLASH 23" LONG | 022766 |
| 21 | TRIM-BOTTOM CABINET | 024826 |
| 22 | TRIM-FRONT-LEFT | 024824-SP |
| 23 | STRIP-TOP TRIM | 024827 |
| 24 | BOLT-CARRIAGE 1/4-20 X 3/4 | 012347 |
| 25 | TRIM A.-SHELF | X24813 |
| 26 | PANEL A.-FRONT | X22879 |
| 27 | STUD-NOSE CONE | 022822 |
| 28 | PANEL-UPPER SIDE LEFT | 028599 |

8756 Beater Door Assembly

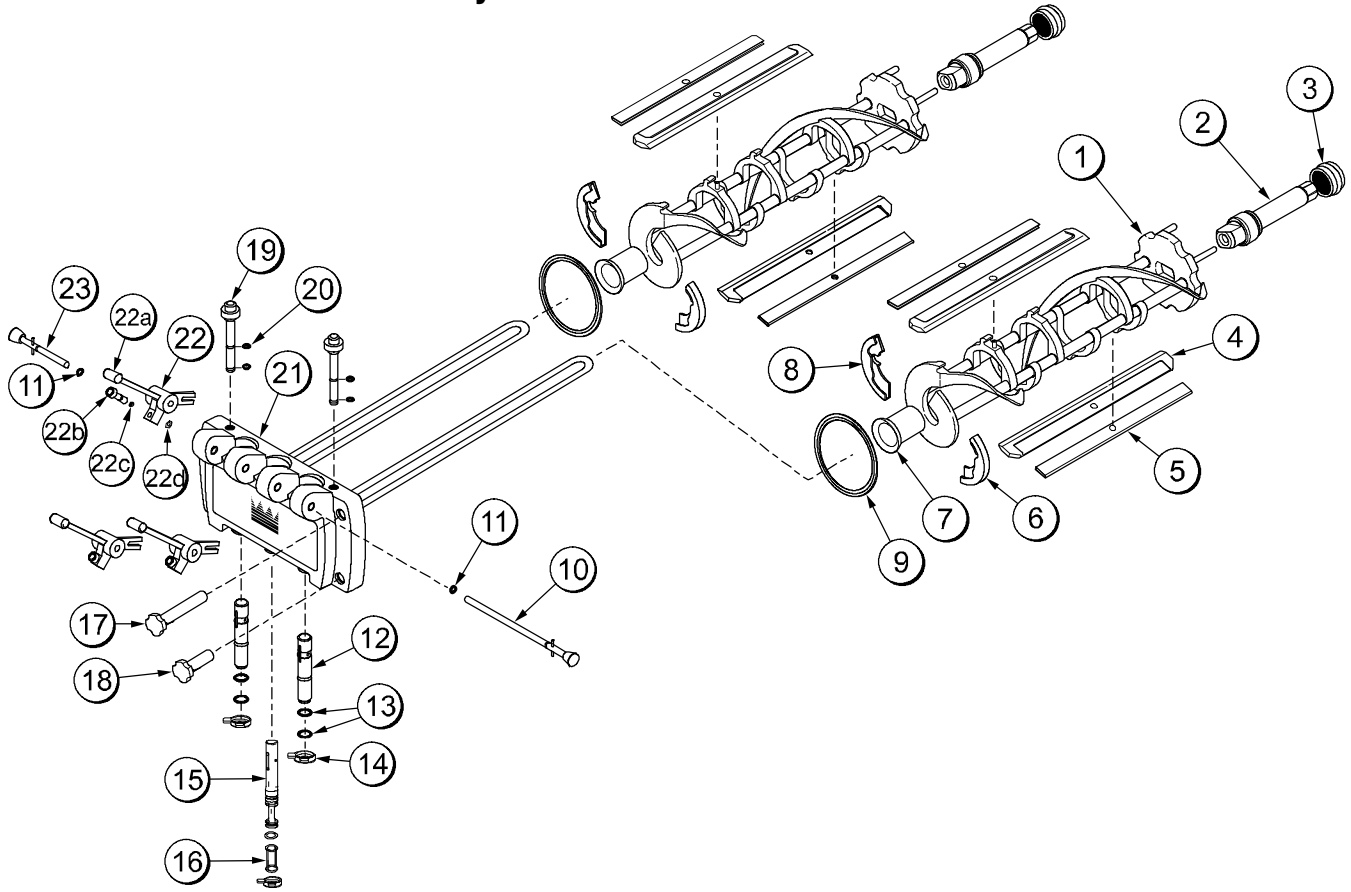


Figure 4

| ITEM | DESCRIPTION | PART NO. |
|------|--------------------------|----------|
| 1 | BEATER A.-3.4QT-1 PIN | X46231 |
| 2 | SHAFT-BEATER | 032564 |
| 3 | SEAL-DRIVE SHAFT | 032560 |
| 4 | BLADE-SCRAPER-PLASTIC | 046235 |
| 5 | CLIP-SCRAPER-BLADE-7.00" | 046236 |
| 6 | SHOE-FRONT HELIX-FRONT | 050347 |
| 7 | BEARING-FRONT-SHOE | 050348 |
| 8 | SHOE-FRONT HELIX-REAR | 050346 |
| 9 | GASKET-DOOR HT 4"-DBL | 048926 |
| 10 | ROD A.-PIVOT-LONG | X22387 |
| 11 | O-RING-5/16 OD X .070W | 016272 |
| 12 | VALVE A.-DRAW | X18303 |
| 13 | O-RING-7/8 OD X .103W | 014402 |
| 14 | CAP-DESIGN-1.010"ID-6 PT | 014218 |

| ITEM | DESCRIPTION | PART NO. |
|------|--------------------------|------------|
| 15 | VALVE A.-DRAW CENTER | X37376 |
| 16 | SEAL-DRAW VALVE | 034698 |
| 17 | NUT-STUD-LONG | 034382 |
| 18 | NUT-STUD-SHORT | 034383 |
| 19 | PLUG-PRIME | 028805 |
| 20 | O-RING-3/8 OD X .070W | 016137 |
| 21 | DOOR A.-3SPT-LG BAF | X49461-10 |
| 22 | HANDLE A.-DRAW ADJ. | X55096 |
| 22a | HANDLE-ADJUSTABLE | 028804 |
| 22b | SCREW-ADJUSTMENT | 055092 |
| 22c | O-RING-1/4 OD X .070W 50 | 015872 |
| 22d | NUT-JAM | 029639-BLK |
| 23 | ROD A.-PIVOT-SHORT | X22388 |

Horizon® Mix Delivery Pump

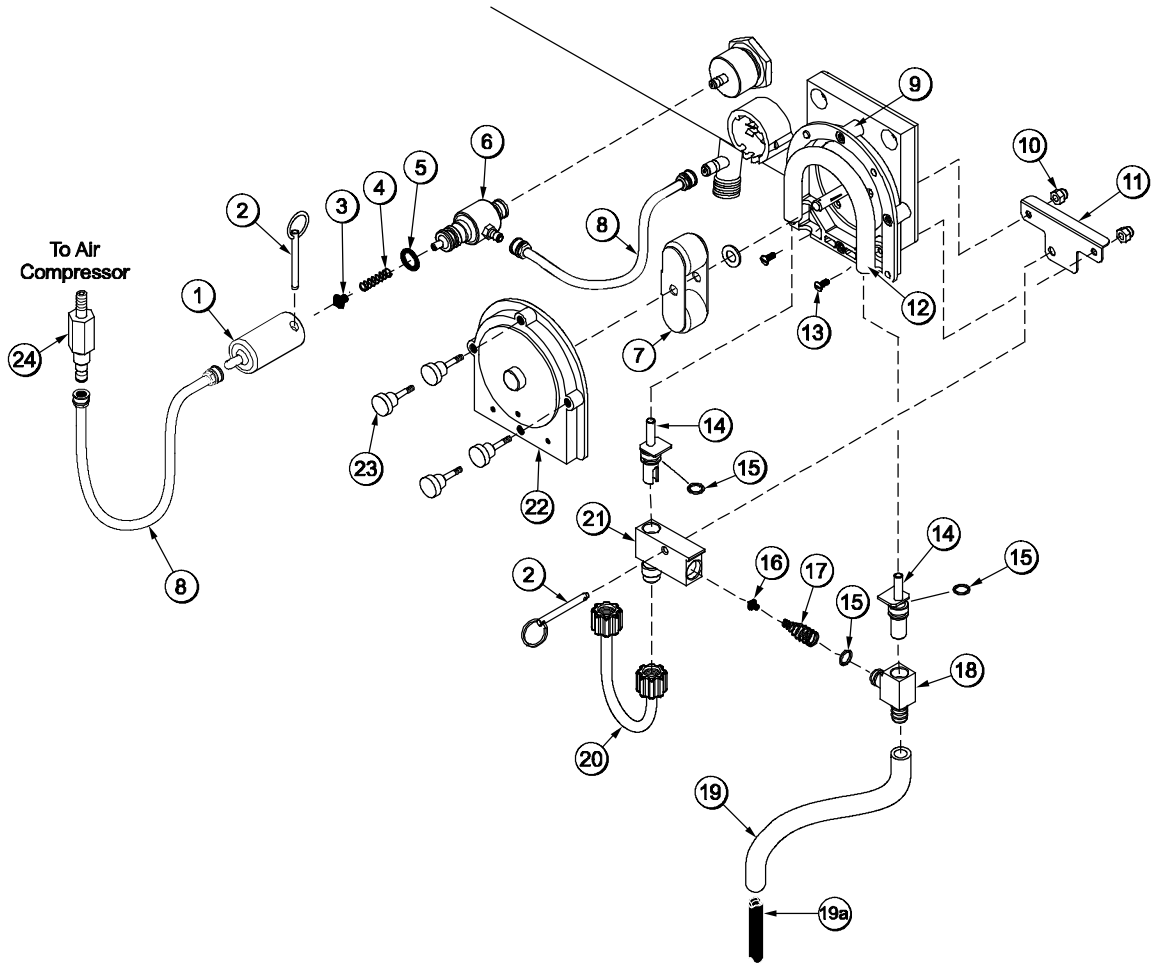


Figure 5

| ITEM | DESCRIPTION | PART NO. |
|------|-----------------------------|------------|
| 1 | CAP-VALVE-CHECK-PERIS. | 051946 |
| 2 | PIN-RETAINING 1/4 OD x 2" L | 042306 |
| 3 | POPPET-RUBBER-BLACK | 022473 |
| 4 | SPRING-COMP 300x.022x1.25 | 051941 |
| 5 | O-RING 13/16 OD x .139 W | 021278 |
| 6 | BODY A.-CHECK VALVE | X51945-SER |
| 7 | ROLLER-PUMP-PERISTALTIC | 051887 |
| 8 | LINE A.-AIR SUPPLY 24" | X34654 |
| 9 | HOUSING-REAR PUMP | 051886 |
| 10 | NUT-10-32 ACORN CUP NUT | 035251 |
| 11 | PLATE-RETAINING PIN | 066483 |
| 12 | TUBE-PUMP-PERISTALTIC | 053891 |
| 13 | SCREW-10-32 x 1/2 SLTD | 001251 |

| ITEM | DESCRIPTION | PART NO. |
|------|---------------------------|----------|
| 14 | FITTING-PUMP TUBE | 066482 |
| 15 | O-RING 3/4 OD x .103 W | 015835 |
| 16 | POPPET-RUBBER-BLACK | 022473 |
| 17 | SPRING-TAPERED 1-7/8 L | 022456 |
| 18 | FITTING-INLET-PRESS VALVE | 066481 |
| 19 | TUBE A.-SUCTION | X20450 |
| 19a | COUNTERWT-SUCTION TUBE | 020452 |
| 20 | LINE A.-FLARE 15" | 038299 |
| 21 | FITTING-OUTLET-PRESS VLV | 066480 |
| 22 | HOUSING-FRONT-PUMP | 051885 |
| 23 | SCREW-THUMB #10-32 | 052016 |
| 24 | FITTING-AIR INJECTION | 051862 |

Accessories

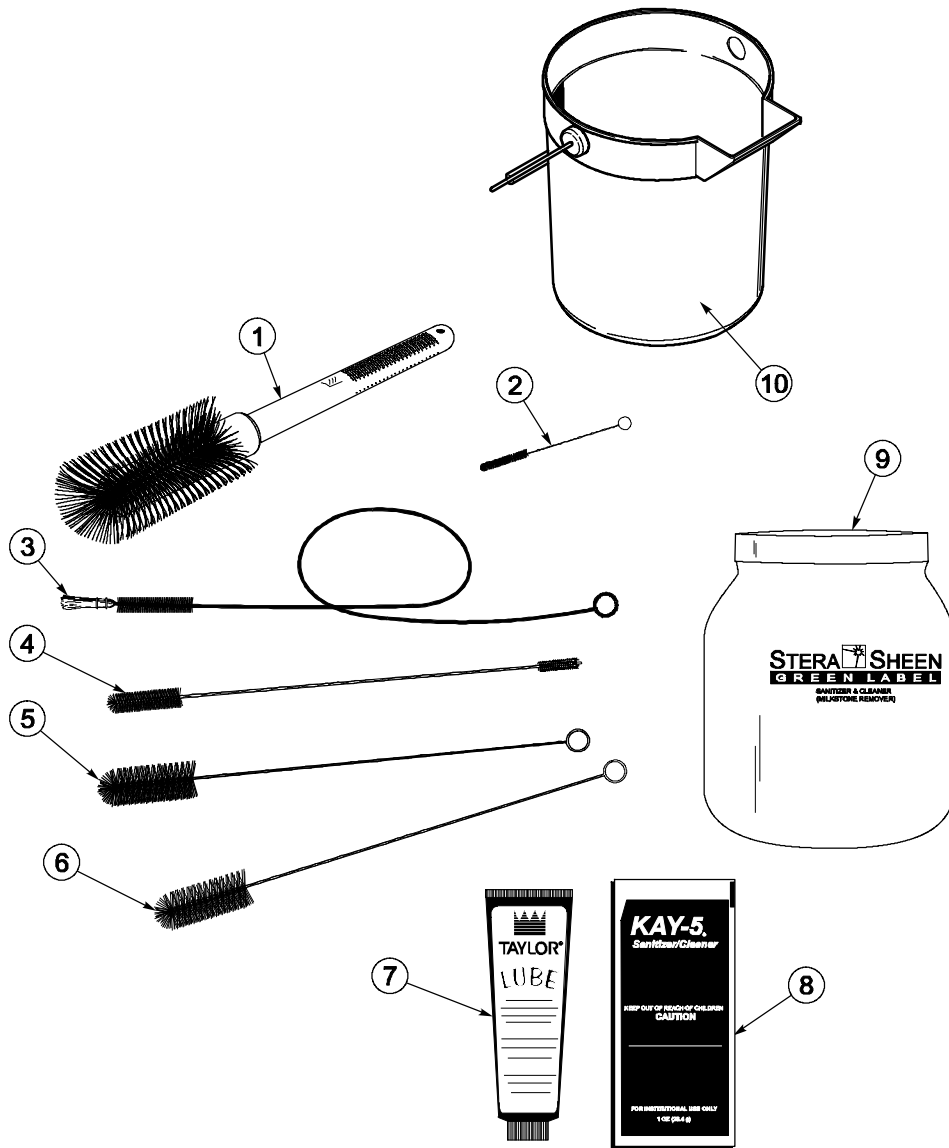


Figure 6

| ITEM | DESCRIPTION | PART NO. |
|------|-----------------------------|----------|
| 1 | BRUSH-MIX PUMP BODY | 023316 |
| 2 | BRUSH-PRESSURE SWITCH | 027647 |
| 3 | BRUSH-FEED TUBE | 021101 |
| 4 | BRUSH-DOUBLE ENDED | 013072 |
| 5 | BRUSH-REAR BEARING | 013071 |
| 6 | BRUSH-DRAW VALVE | 013073 |
| 7 | LUBRICANT-TAYLOR 4 OZ | 047518 |
| 8 | SANITIZER-KAY-5® (125 PKTS) | 041082 |

| ITEM | DESCRIPTION | PART NO. |
|------|----------------------------|-----------|
| 9 | SANITIZER-STERA SHEEN | 065293 |
| 10 | PAIL-MIX 10 QT. | 013163 |
| * | KIT A.-TUNE UP (8752) | X49463-37 |
| | KIT A.-TUNE UP (8756) | X49463-36 |
| | KIT A.-TUNE UP-PUMP (8752) | X53079-4 |
| | KIT A.-TUNE UP-PUMP (8756) | X53079-5 |

*Not Shown

Note: A sample container of sanitizer is sent with the unit. For reorders, order Stera Sheen part no. 055492 (100 2 oz. packs) or Kay-5 part no. 041082 (200 packs).

Section 5

Important: To the Operator

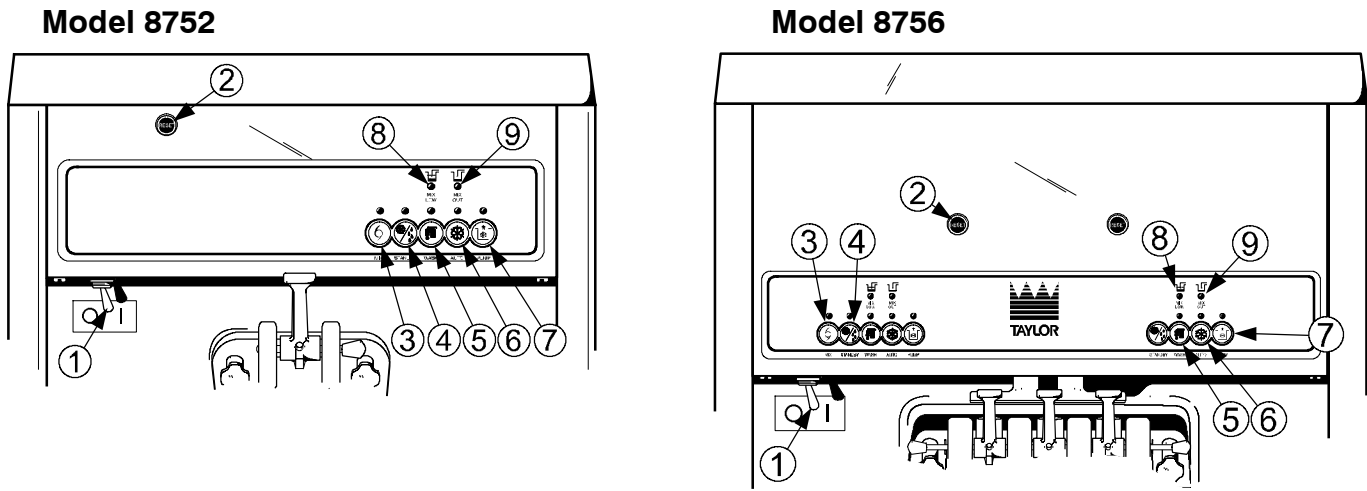







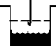



Figure 7

Symbol Definitions

To better communicate in the International arena, the words on many of our operator switches and buttons have symbols to indicate their functions. Your Taylor equipment is designed with these International symbols.

| Item | Description |
|------|---------------------------|
| 1 | Power Switch (Toggle) |
| 2 | Reset Switch |
| 3 | Mix Refrigeration Control |
| 4 | STANDBY Key |
| 5 | WASH Key |
| 6 | AUTO Key |
| 7 | PUMP Key |
| 8 | Mix Low Indicator |
| 9 | Mix Out Indicator |

-  = AUTO
-  = ON
-  = OFF
-  = MIX REF
-  = WASH
-  = PUMP
-  = STANDBY
-  = MIX LOW
-  = MIX OUT

Power Switch

When placed in the ON position, the power switch allows "SOFTECH" control panel operation.

Indicator Lights - "Mix Low" and "Mix Out"

When the MIX LOW light begins to flash, it indicates the mix tank has a low supply of mix and should be refilled as soon as possible. When the MIX OUT light begins to flash, it indicates the mix tank has been almost completely exhausted and has an insufficient supply of mix to operate the freezer. At this time, the STANDBY and AUTO modes are locked out and the freezer shuts down. To initiate the refrigeration system, add mix to the tank and press the AUTO key. The freezer will automatically begin operation.

Reset Button

The reset button is located in the decorative plate above the "SOFTECH" controls. The reset protects the beater motor from an overload condition. Should an overload occur, the reset mechanism will trip.

To properly reset the freezer, press the AUTO key to cancel the cycle. Turn the power switch to the OFF position. Press the reset button firmly. Turn the power switch to the ON position. Press the AUTO key to resume normal operation. (For the Model 8756, press the AUTO key on both sides to resume normal operation.)



WARNING: Do not use metal objects to press the reset button. Failure to follow this instruction may result in serious electrical shock.

If the freezer shuts down again, contact your authorized service technician.

"Softech" Control Operation

Mix Ref

When the MIX REF key is pressed, the light comes on, indicating the mix cabinet refrigeration system is operating. (For the Model 8756, there are two touch-tone panels, one for each freezing cylinder. The mix refrigeration system is controlled by the MIX REF key found on the left panel. By pressing the AUTO key on either side of the freezer, the MIX REF function is automatically turned on.) The MIX REF function cannot be cancelled unless the AUTO or STANDBY mode is cancelled first.

Standby

During long "No Sale" periods it becomes necessary to warm the product in the freezing cylinder to approximately 35° to 40°F (1.7° to 4.4°C) to prevent overheating and product breakdown.

When the STANDBY key is pressed, the light comes on, indicating the CTR (Cylinder Temperature Retention System) has been activated. In the STANDBY mode, the WASH, PUMP, and AUTO functions are automatically cancelled. The MIX REF function is automatically locked in to maintain the mix in the cabinet.

To resume normal operation, press the STANDBY key to cancel the cycle, and then press the AUTO key. When the unit cycles off, the product in the freezing cylinder will be at serving viscosity.

Wash

When the WASH key is pressed, the light comes on, indicating beater motor operation. The STANDBY key or AUTO modes must be cancelled first to activate the WASH mode.

Auto

When the AUTO key is pressed, the light comes on indicating the main refrigeration system has been activated. In the AUTO mode, the WASH or STANDBY key functions are automatically cancelled. The MIX REF function is automatically locked in to maintain the mix in the cabinet and the PUMP function is locked in to allow mix pump operation as required.

Pump

When the PUMP key is pressed, the light comes on indicating that the mix pump will operate.

Note: An indicating light and an audible tone will sound whenever a mode of operation has been pressed. To cancel any function, press the key again and the light and mode of operation will shut off.

Adjustable Draw Handle

These units feature an adjustable draw handle to provide the best portion control, giving a better, consistent quality to your product and controlling costs. The draw handle should be adjusted to provide a flow rate of 5 to 7-1/2 oz. of product by weight per 10 seconds. To **increase** the flow rate, turn the screw **counterclockwise**. To **decrease** the flow rate, turn the screw **clockwise**.

IMPORTANT! When dispensing product, pull only one draw handle at a time.

Air Flow Adjustment

Adjust air flow prior to priming the unit with mix.

Step 1

Open the prime plug.

Step 2

Make sure the suction line is open to air flow and is not inserted in liquid.

Step 3

Press the PUMP key.

Step 4

Adjust the air flow to the desired setting. The flow rate is factory set at 1.0 – 1.4.

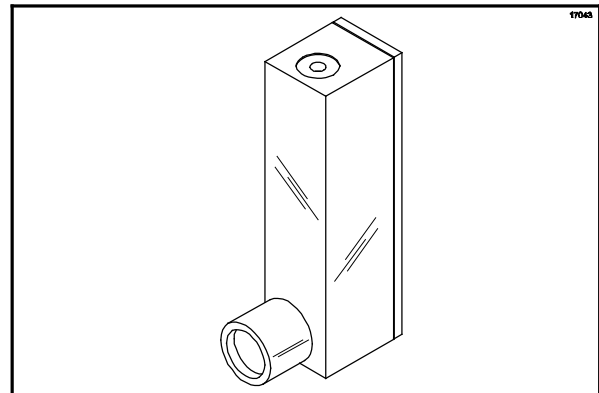


Figure 8

Step 5

Press the PUMP key to cancel operation.

Step 6

Prime the unit according to the operating instructions. Make sure the mix has stopped flowing from the purge hole before closing the prime plug.

Section 6

Operating Procedures

The Model 8752 has been selected to show you the pictured step-by-step operating procedures for both models contained in this manual. These models, for all practical purposes of operation, are the same.

The size of the freezing cylinder(s) is 3.4 quarts (3.2 liters). The Model 8752 has one freezing cylinder and the Model 8756 has two freezing cylinders. Mix is stored in the lower front refrigerated compartment and is pumped up to the freezing cylinder by a Horizon® pump.

Duplicate the following procedures, where they apply, for the second freezing cylinder on the Model 8756.

We begin our instructions at the point where we enter the store in the morning and find the parts laid out to air dry from the previous night's brush cleaning.

If you are disassembling the machine for the first time or need information to get to this starting point in our instructions, turn to page 33, "Disassembly" and start there.

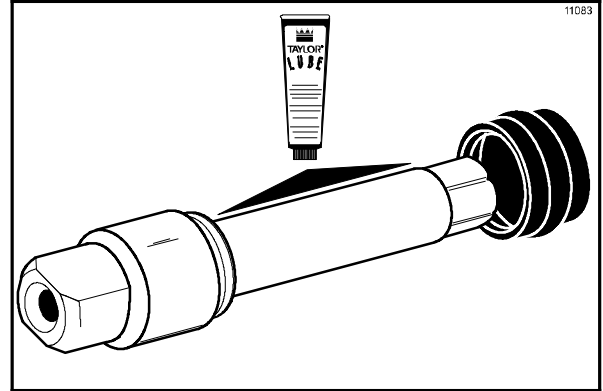


Figure 9

Install the drive shaft through the rear shell bearing in the freezing cylinder and engage the hex end firmly into the gear box coupling. Be sure the drive shaft fits into the drive coupling without binding.

Assembly



MAKE SURE CONTROL SWITCH IS IN THE "OFF" POSITION.

Step 1

To install the drive shaft, lubricate the groove and shaft portion that comes in contact with the bearing on the beater drive shaft. Slide the seal over the shaft and groove until it snaps into place. DO NOT lubricate the hex end of the drive shaft. Fill the inside portion of the seal with 1/4" more lubricant and evenly lubricate the end of the seal that fits onto the rear shell bearing.

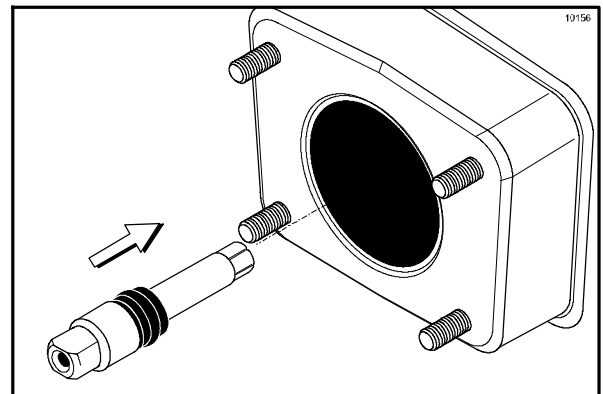


Figure 10

Step 2

Install the beater assembly. First check the scraper blades for any nicks or signs of wear. If any nicks are present, replace both blades. If the blades are in good condition, install the scraper blade clips on the scraper blades. Place the rear scraper blade over the rear holding pin on the beater.

Note: The hole on the scraper blade must fit securely over the pin to prevent costly damage.

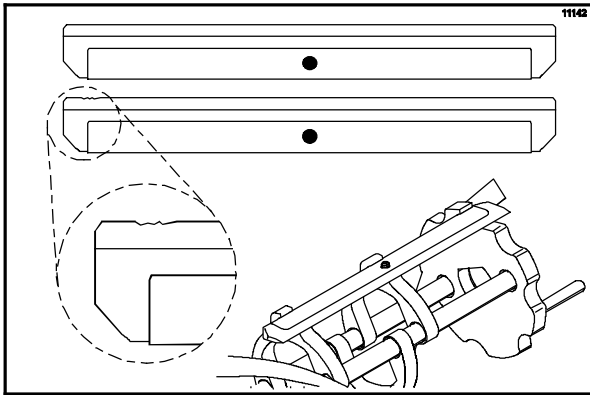


Figure 11

Holding the rear blade on the beater, slide it into the freezing cylinder half way. Install the front scraper blade over the front holding pin.

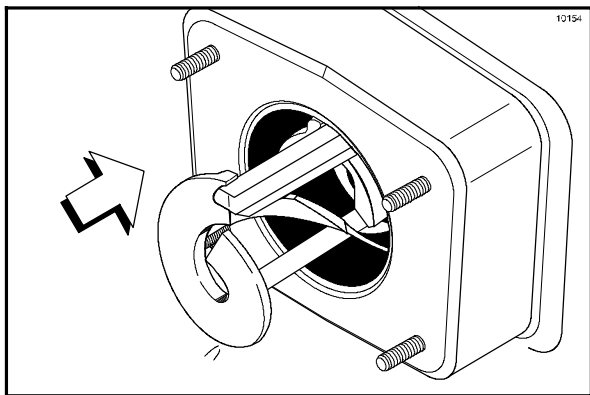


Figure 12

Install the beater shoes.

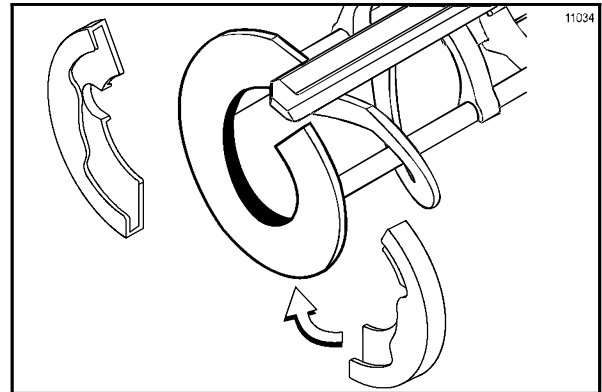


Figure 13

Make sure the beater assembly is in position over the drive shaft. Turn the beater slightly to be certain that the beater is properly seated. When in position, the beater **will not** protrude beyond the front of the freezing cylinder.

Repeat Steps 1 and 2 for the other side of the freezer on the Model 8756.

Step 3

Assemble the freezer door. Place the large rubber gasket(s) in the groove(s) on the back side of the freezer door.

Slide the white plastic front bearing(s) over the baffle rod(s), making certain that the flanged end of the bearing is resting against the freezer door. **DO NOT** lubricate the gasket(s) or front bearing(s).

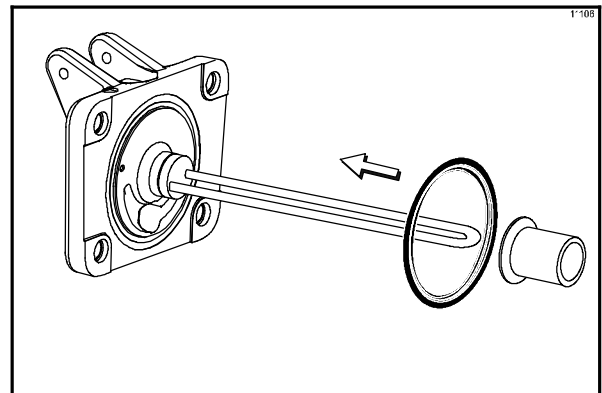


Figure 14

Note: There are two gaskets and two front bearings for the Model 8756 door, one for each freezing cylinder.

Slide the o-rings into the grooves on the prime plug(s). Apply an even coat of lubricant to the o-rings and shaft(s).

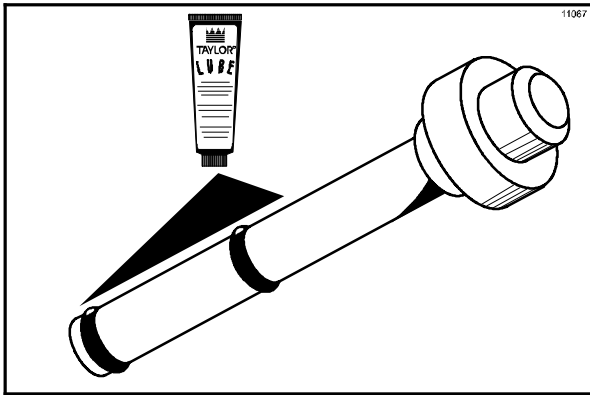


Figure 15

Note: There are two prime plugs for the Model 8756 door, one for each freezing cylinder.

Insert the prime plug(s) into the hole(s) at the top of the freezer door(s) and push down.

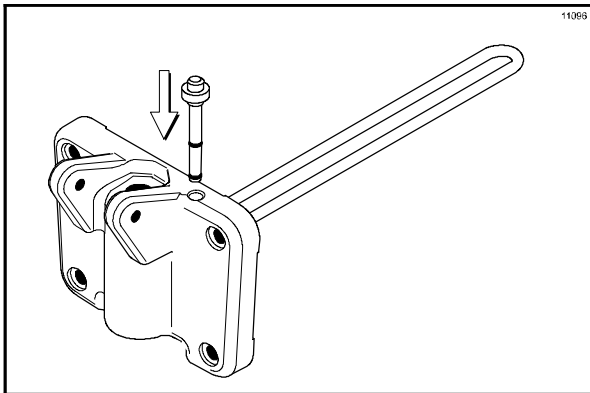


Figure 16

Step 4

Install the freezer door(s). Insert the baffle rod(s) through the beater(s) in the freezing cylinder(s). With the door seated on the freezer studs, install the handscrews. Tighten equally in a criss-cross pattern to insure the door is snug.

Note: On the Model 8756, the short handscrews go on the bottom and the long handscrews go on the top.

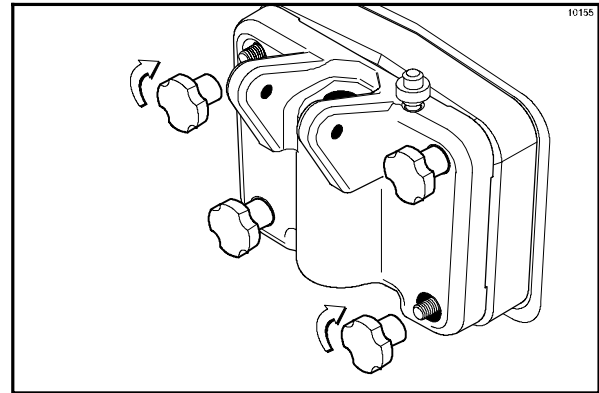


Figure 17

Step 5

Install the draw valve(s). Slide the two o-rings into the grooves on the draw valve(s).

(Model 8756 Only: Slide the o-ring and the “H” ring into the grooves on the center draw valve.)

Lubricate the o-rings.

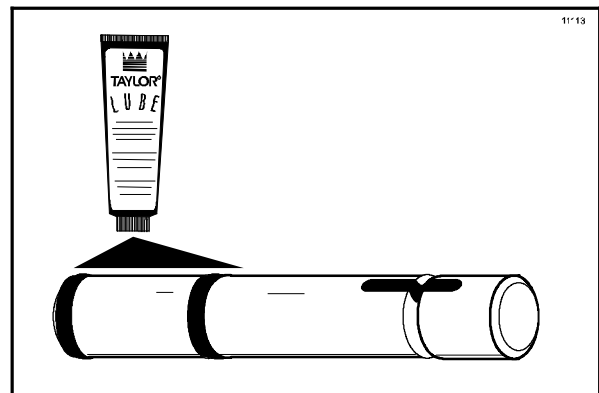


Figure 18

Step 6

Lubricate the inside of the freezer door spout(s), top and bottom, and insert the draw valve(s) from the **bottom** until the slot in the draw valve(s) comes into view.

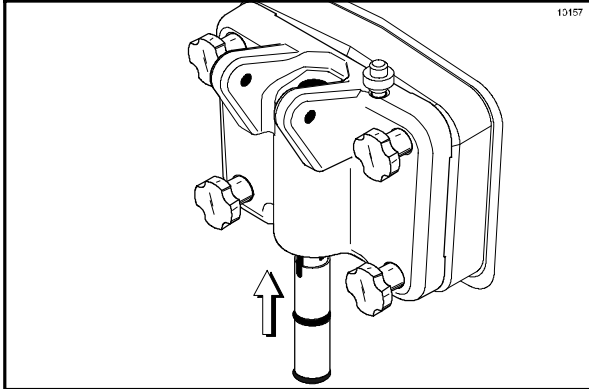


Figure 19

Step 7

Install the adjustable draw handle(s). Slide the o-ring(s) into the groove(s) on the pivot pin(s) and lubricate.

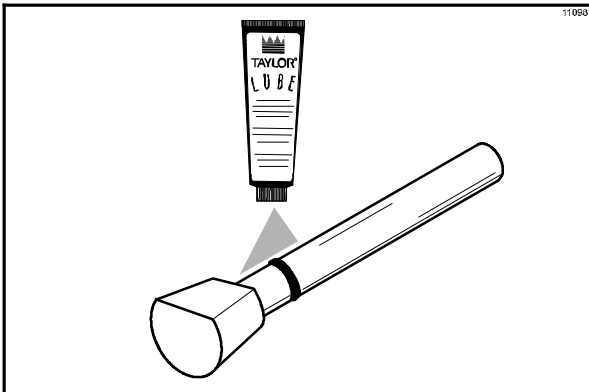


Figure 20

Slide the fork of the draw handle(s) in the slot of the draw valve(s). Secure with pivot pin.

Note: The Model 8756 has three draw handles and two pivot pins. Slide the fork of the draw handle in the slot of the draw valve, starting from the right. Slide the long pivot pin through the right and middle draw handles. Secure the left draw handle with the short pivot pin. The draw handles have a color identifier for vanilla, twist, and chocolate. Be sure to install the appropriate handle in the correct position.

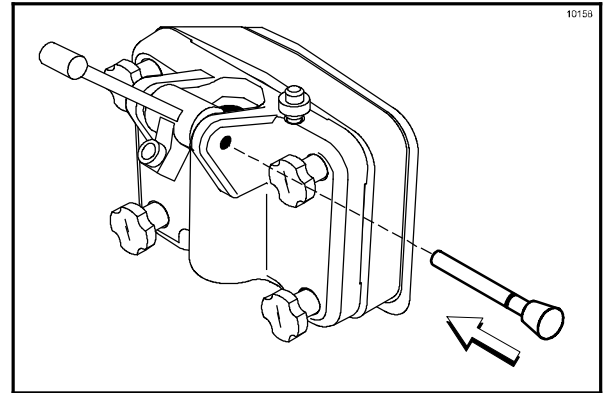


Figure 21

Note: These units feature adjustable draw handles to provide the best portion control, giving a better consistency quality to your product, and controlling costs. The draw handles can be adjusted for different flow rates. See page 17 for more information on adjusting these handles.

Step 8

Snap the design cap over the bottom of each door spout.

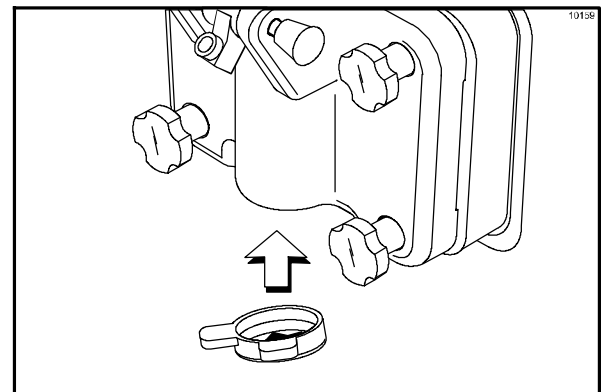


Figure 22

Step 9

Install the rear drip pan. Slide the rear drip pan into the hole in the side panel.

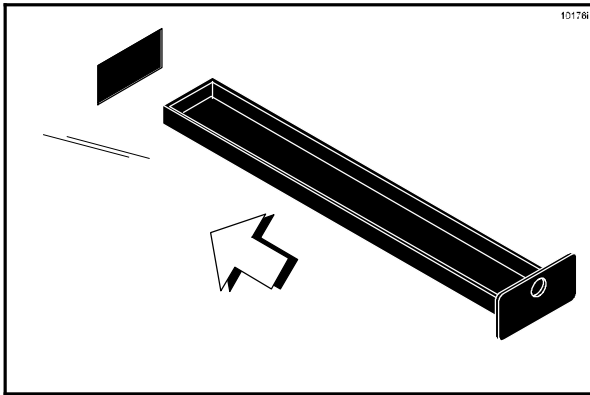


Figure 23

Step 10

Install the front drip tray and the splash shield beneath the door spout(s).

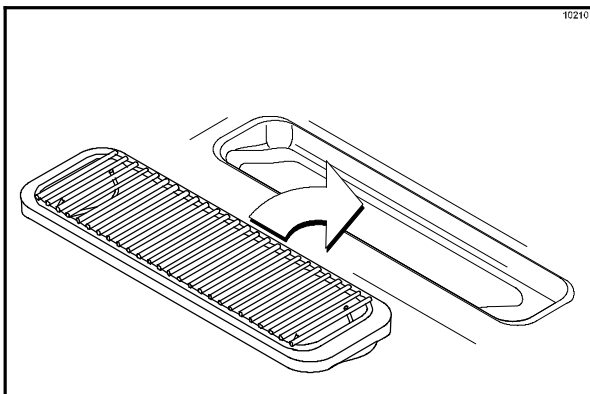


Figure 24

Horizon® Pump Assembly

The purpose of the Horizon® pump is to meter a specific amount of air and mix, and transfer this combination to the freezing cylinder.

Refer to the illustration on page 13 for identification of parts during assembly.

Step 1

Lightly lubricate both sides of the pressure switch diaphragm.

Note: Do not place the diaphragm in the pressure switch cap.

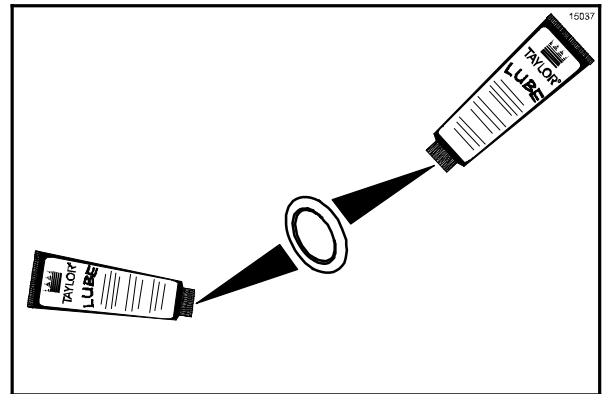


Figure 25

Step 2

Place the diaphragm on the front (face) of the pressure switch housing and then screw the pressure switch cap onto the pressure switch housing.

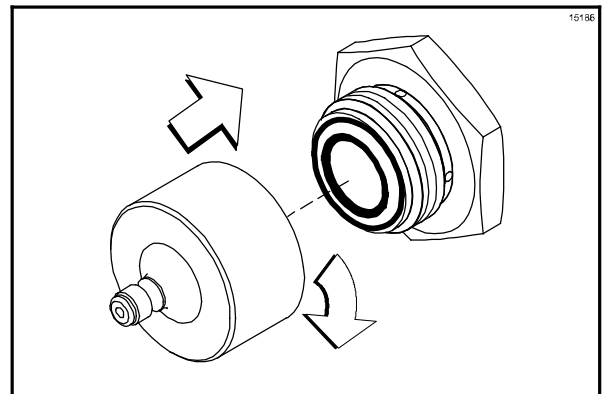


Figure 26

Note: The lubricant will act as an adhesive to place the diaphragm on the end of the pressure switch housing.

Step 3

Assemble the check valve.

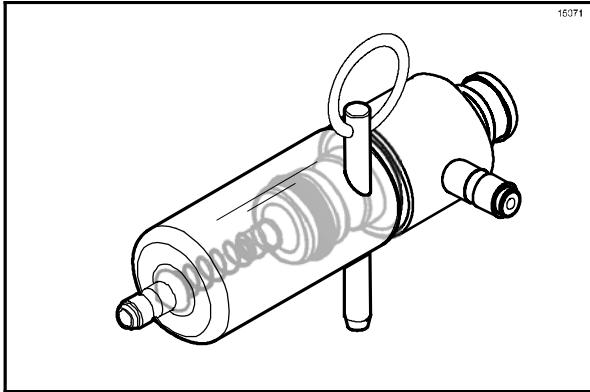


Figure 27

Step 4

Place the o-ring onto the body of the check valve and lubricate.

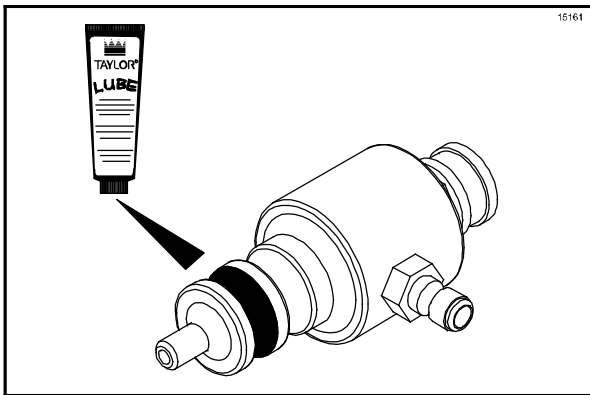


Figure 28

Step 5

Place the rubber poppet in one end of the spring. Do not lubricate the rubber poppet.

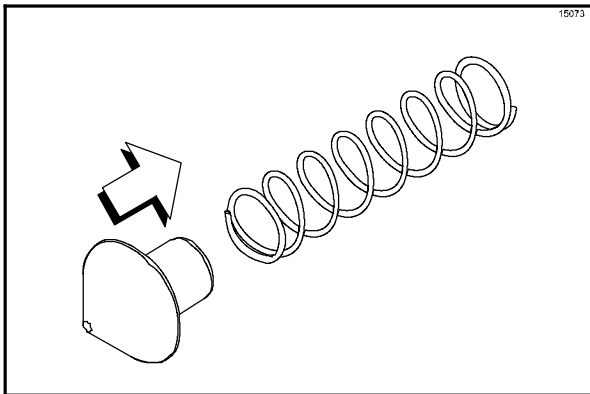


Figure 29

Step 6

Attach the opposite end of the spring onto the inlet fitting of the check valve body.

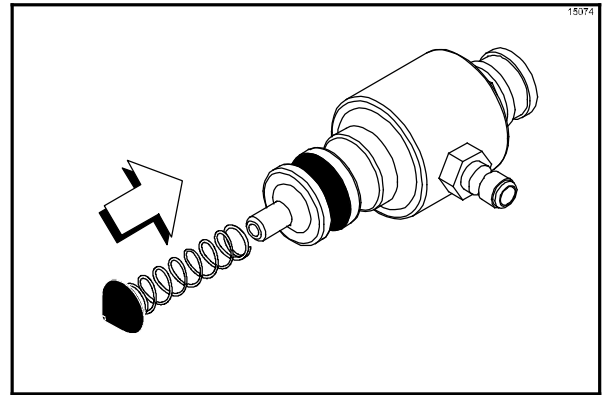


Figure 30

Step 7

Place the cap over the spring and poppet. Secure the cap to the check valve body by inserting the locking pin.

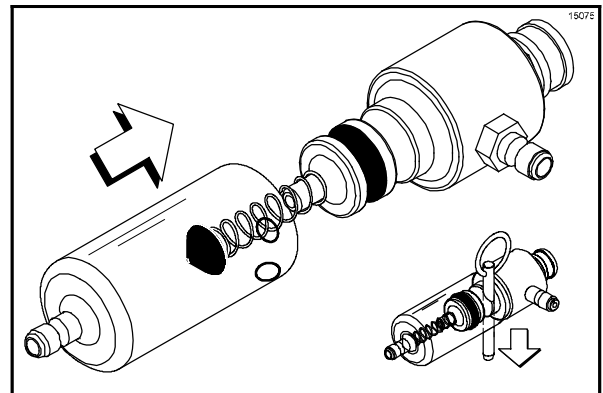


Figure 31

Step 8

Attach the check valve assembly to the pressure switch cap. **(Note:** Be sure the quick disconnect is firmly locked into position.)

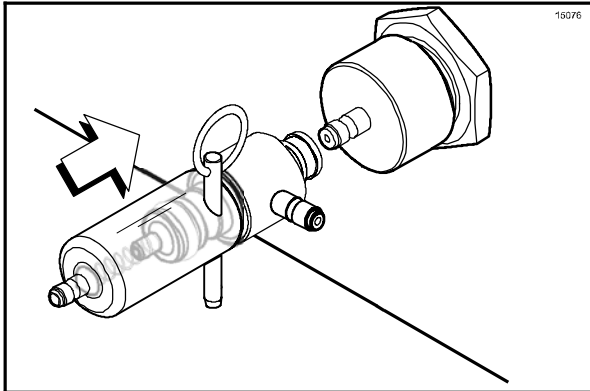


Figure 32

Step 9

Attach one end of the air line to the air compressor fitting and the other end to the air inlet fitting of the check valve assembly.

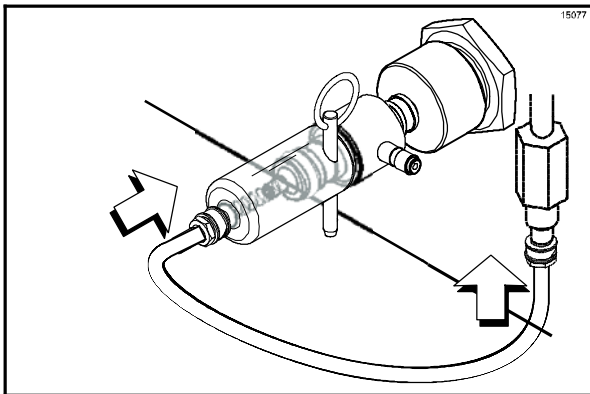


Figure 33

Step 10

Install the o-ring on both of the pump tube fittings and lightly lubricate.

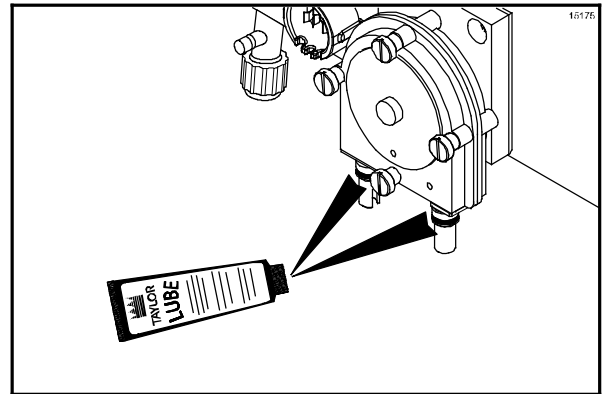


Figure 34

Step 11

Place an o-ring on the valve inlet fitting and lightly lubricate.

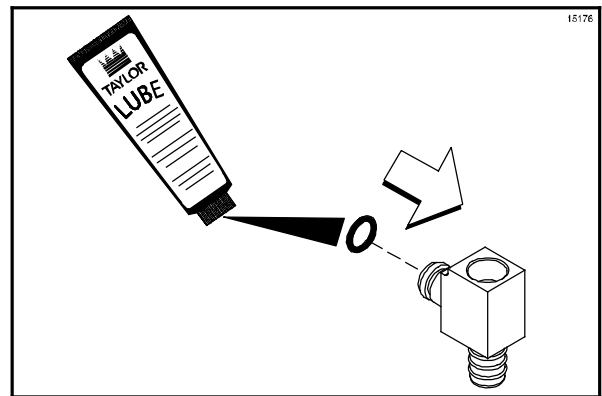


Figure 35

Step 12

Place the black rubber poppet into the small end of the tapered spring and assemble the spring onto the valve inlet fitting.

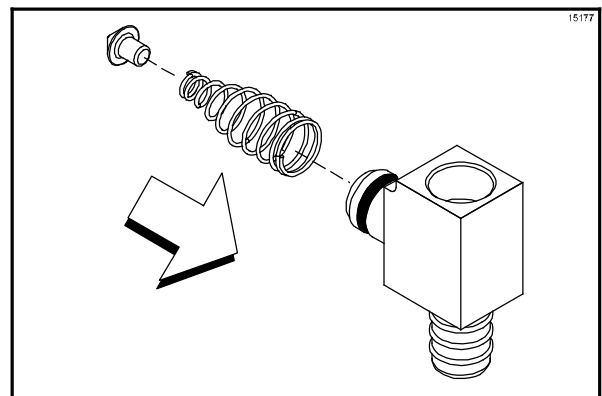


Figure 36

Step 13

Insert the parts assembled in Step 12 into the valve outlet fitting.

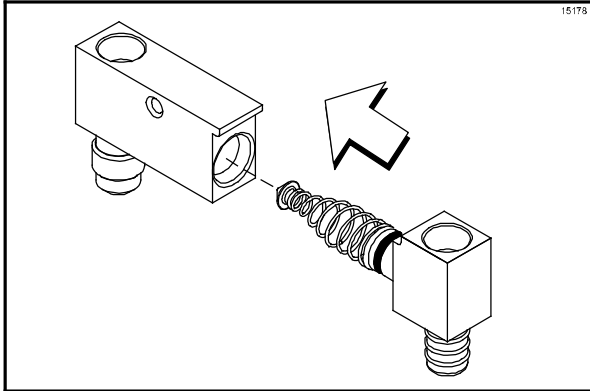


Figure 37

Step 14

Slide the pressure relief valve onto the main pump assembly.

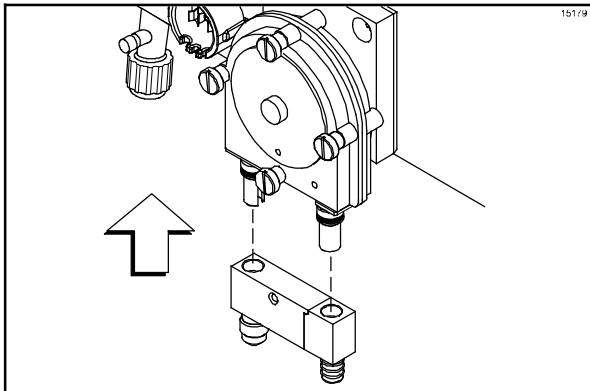


Figure 38

Step 15

Secure the pressure relief assembly by installing the retaining pin into the rear retaining pin plate.

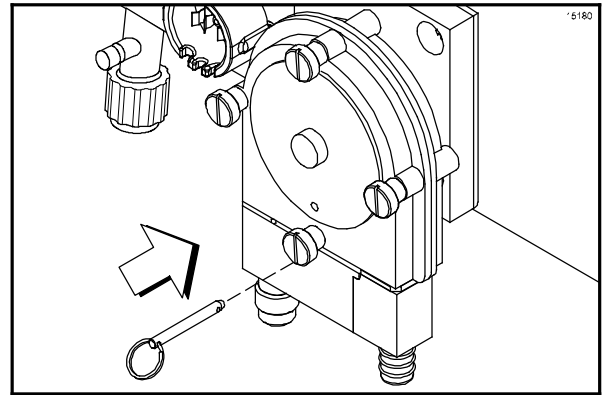


Figure 39

Note: The assembled parts must align with the matching hole in the mounting plate.

Step 16

Attach one end of the flare line to the pressure relief valve outlet fitting of the Horizon® pump. Attach the other end to the mix feed tube.

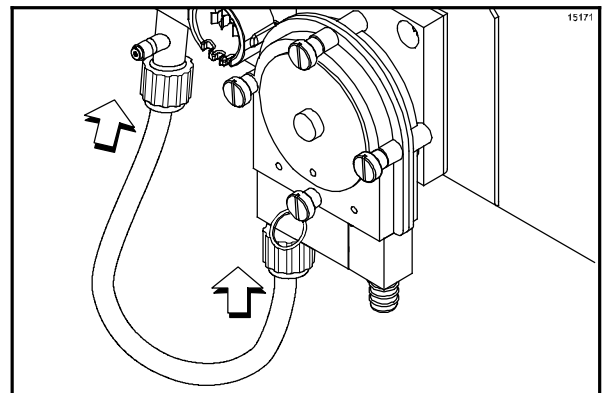


Figure 40

Step 17

Install the pressure line. Attach the quick disconnect fitting of the pressure line to the other fitting on the mix inlet tube, just above the flare line. Allow the other end to hang free.

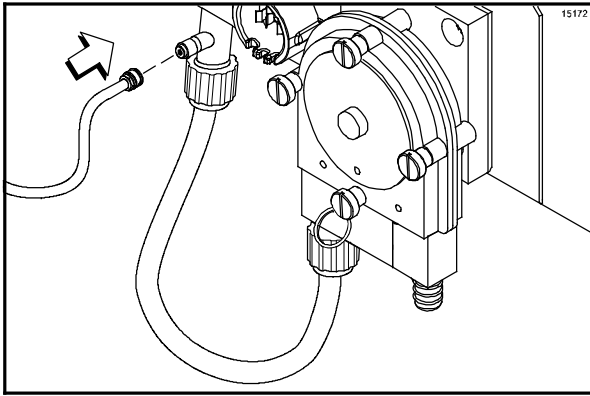


Figure 41

Step 18

Assemble the mix suction line. Attach the “weighted end” to one opening of the suction tube.

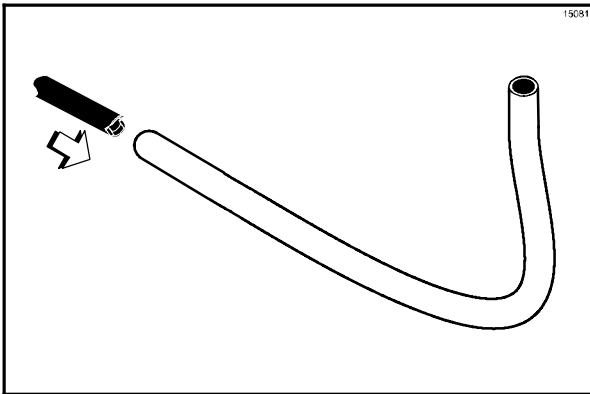


Figure 42

Step 19

Attach the open end of the mix suction tube to the pressure relief inlet fitting of the Horizon® pump.

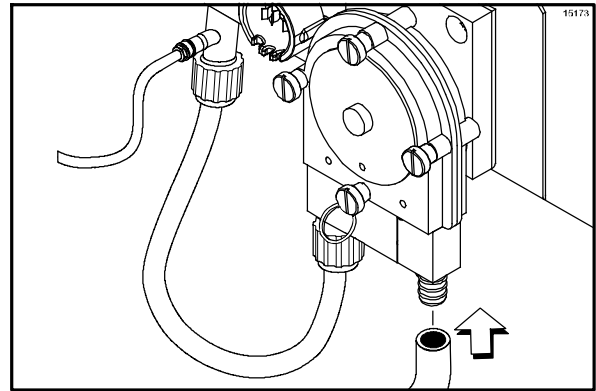


Figure 43

Step 20

Insert the free end of the suction line and the pressure line into the pail of sanitizing solution.

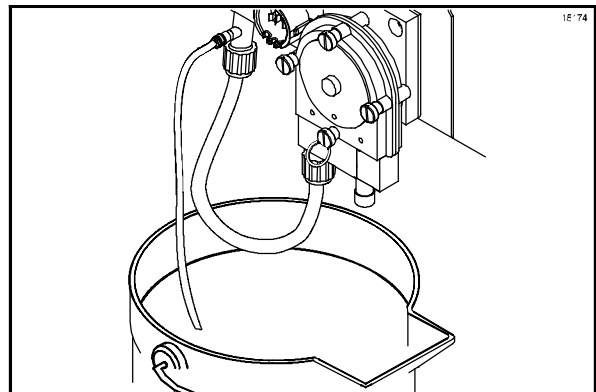


Figure 44

Repeat Steps 1 through 20 for the other side of the freezer on the Model 8756.

Sanitizing

Step 1

Prepare a pail of approved 100 PPM sanitizing solution (examples: 2-1/2 gal. [9.5 liters] of Kay-5® or 2 gal. [7.6 liters] of Stera-Sheen®). USE WARM WATER AND FOLLOW THE MANUFACTURER'S SPECIFICATIONS. Place the pail of sanitizing solution inside the mix cabinet.

Step 2

Place the power switch in the ON position.

Step 3

Press the PUMP key. An indicator will light, indicating the Horizon® pump is operating. This action will cause the sanitizing solution to be pumped through the pump and out through the pressure line. After approximately 15 seconds, press the PUMP key. The light will go out and the pump will stop operation.

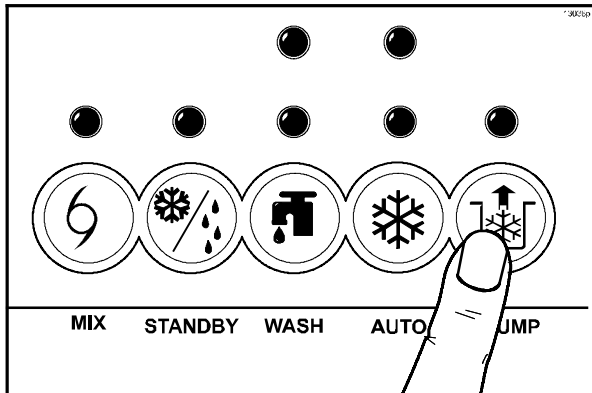


Figure 45

Step 4

Drain and connect the free end of the pressure line to the check valve.

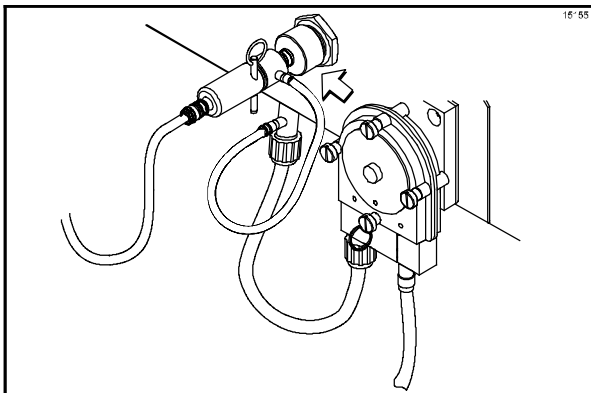


Figure 46

Step 5

Place an empty pail beneath the door spout and raise the prime plug.

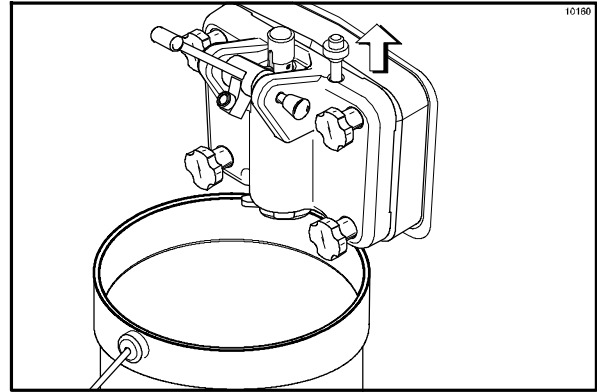


Figure 47

Press the WASH and PUMP keys. The lights will come on, indicating the pump and beater motor are operating. When a **steady** stream of sanitizing solution is flowing from the prime plug hole in the bottom of the freezer door, press the PUMP key, stopping pump operation. Push down the prime plug and allow beater agitation for 5 minutes.

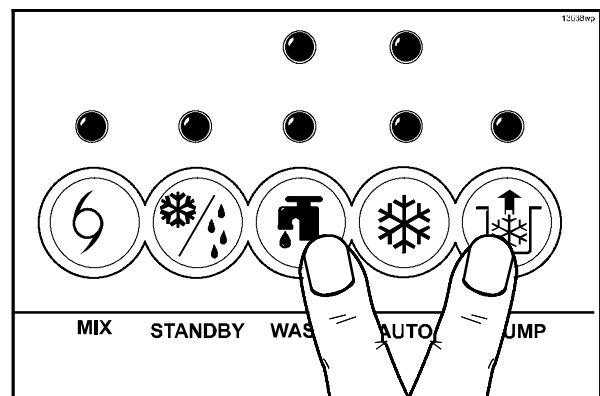


Figure 48

Step 6

After 5 minutes, open the prime plug. Press the PUMP key. Pull the draw handle down and draw off the remaining sanitizer.

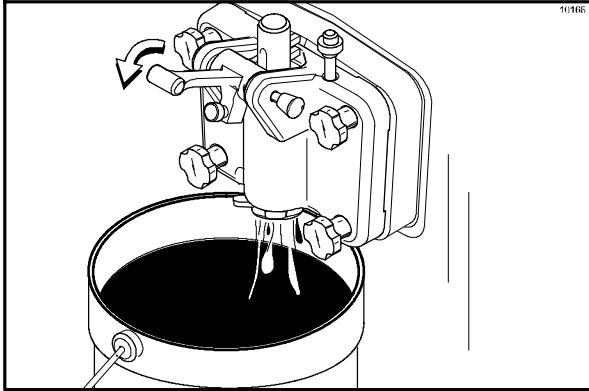


Figure 49

Note: On the Model 8756, momentarily pull down the center draw handle to sanitize the center door spout.

Step 7

Once the sanitizer stops flowing from the door spout, close the draw valve. Press the PUMP and WASH keys to stop operation.

Step 8

Disconnect the pressure line from the check valve. Drain the sanitizer. Reconnect the pressure line to the check valve.

Repeat Steps 1 through 8 for the second freezing cylinder on the Model 8756.

Air Flow Adjustment

Adjust air flow prior to priming the unit with mix.

Step 1

Open the prime plug.

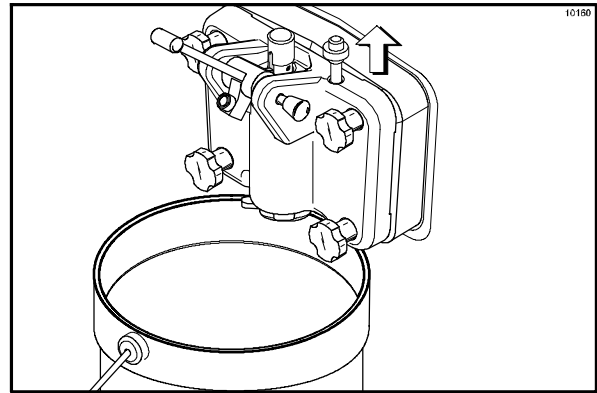


Figure 50

Step 2

Make sure the suction line is open to air flow and is not inserted in liquid.

Step 3

Press the PUMP key.

Step 4

Adjust the air flow to the desired setting. The flow rate is factory set at 1.0 - 1.4.

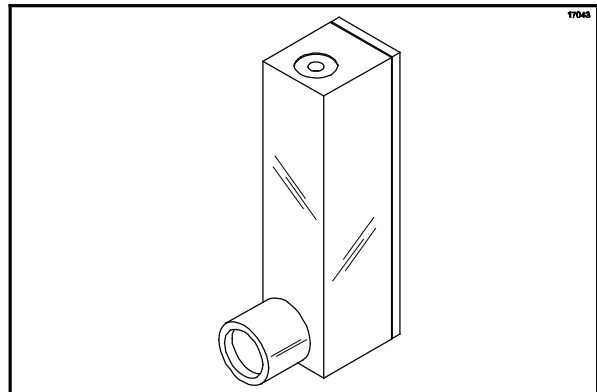


Figure 51

Step 5

Press the PUMP key to cancel operation.

Step 6

Prime the unit according to the operating instructions. Make sure the air has stopped flowing from the prime plug before closing the prime plug.

Priming

Step 1

Sanitize the mix tank, mix tank cover, mix probe, mix storage cover and the funnel. Place the mix tank and the cover in the mix cabinet.

Step 2

Insert the prongs of the mix probe inside the mix tank and connect the mix probe in the socket receptacle.

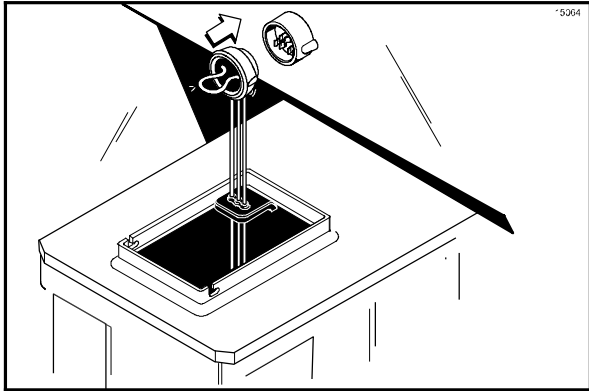


Figure 52

Step 3

Place the free end of the suction line down in the mix tank.

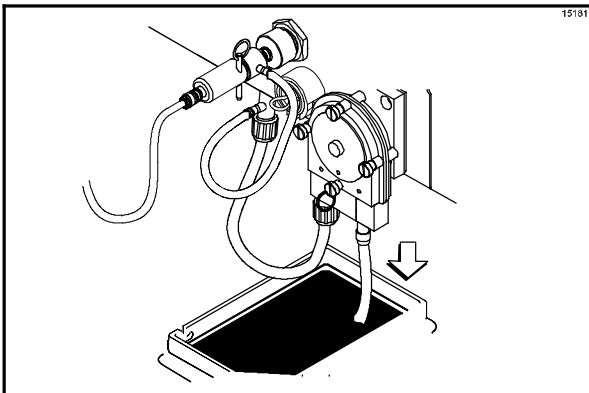


Figure 53

Step 4

Install the funnel. Fill the mix tank with **fresh** mix.

Note: Use only **fresh** mix when priming the freezer.

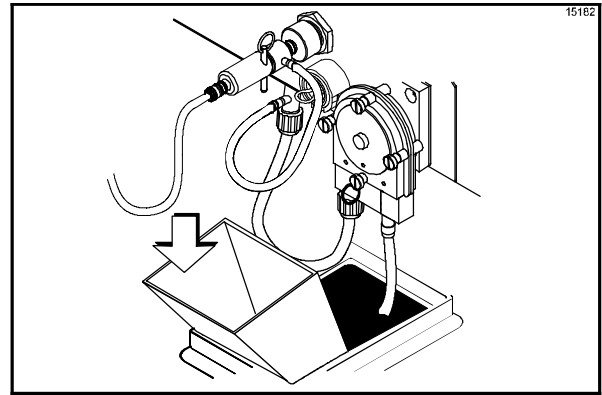


Figure 54

Step 5

Remove the funnel and install the mix storage cover. Close the mix cabinet door.

Step 6

Place an empty pail beneath the door spout. Open the draw valve and pull the prime plug up.

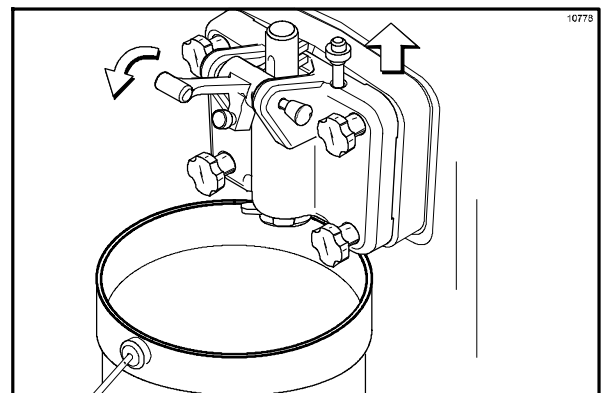


Figure 55

Step 7

Press the PUMP key. This will allow the mix to be pumped through the freezing cylinder and force out any remaining sanitizer. When full strength mix is flowing from the door spout, close the draw valve.

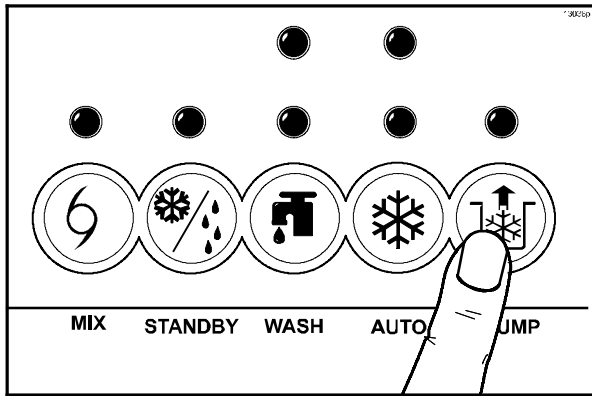


Figure 56

Step 8

When a steady stream of mix is flowing from the prime plug hole in the bottom of the freezer door, press the PUMP key to stop operation.

Step 9

Once the stream of mix stops flowing from the prime plug hole, push the prime plug down. Rinse the prime plug hole area with water. Remove the pail and discard the mix and the sanitizer.

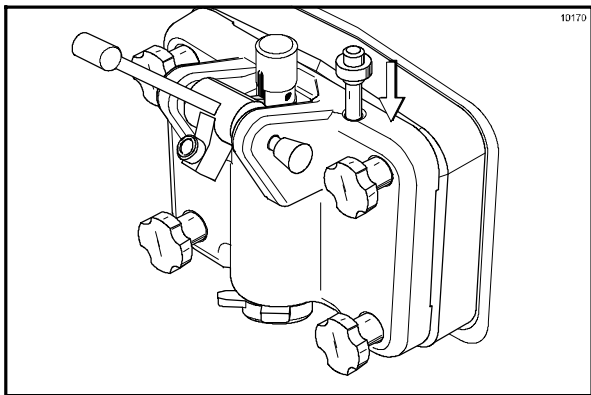


Figure 57

Step 10

Press the AUTO key. The MIX REF light will come on indicating the mix refrigeration system is operating, the AUTO light will come on indicating the main refrigeration system is operating, and the PUMP light will come on indicating the Horizon® pump will operate whenever mix is needed in the freezing cylinder.

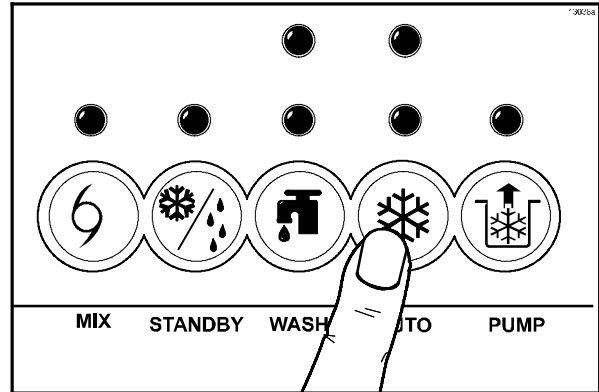


Figure 58

Repeat Steps 1 through 8 for the other side of the freezer on the Model 8756.

When the unit cycles off, the product will be at the correct viscosity.

Note: Keep the mix cabinet door closed except when filling the mix tank and during the cleaning and sanitizing procedures. Leaving the door open with the mix refrigeration system on may cause the evaporator to ice up and impair the mix cabinet refrigeration.

Closing Procedure

To disassemble the Models 8752 and 8756, the following items will be needed:

- Two cleaning and sanitizing pails
- Sanitized stainless steel rerun can with lid
- Necessary brushes (provided with freezer)
- Cleaner
- Single service towels

Draining Product From the Freezing Cylinder

Step 1

Press the AUTO and MIX REF keys to cancel freezer operation.

Step 2

Open the mix cabinet door and remove the mix storage cover(s), mix tank cover(s), mix tank(s), and mix probe(s). Empty the mix from the mix tank(s) into a sanitized stainless steel rerun can.

Step 3

Place the suction line in an empty pail in the mix cabinet.

Step 4

If local health codes permit the use of rerun, place a sanitized, NSF approved stainless steel rerun container beneath the door spout.

- Open the draw valve and press the WASH and PUMP keys.
- Drain all the mix from the freezing cylinder.
- When all the product stops flowing from the door spout, close the draw valve and press the WASH and PUMP keys to stop operation.
- Place a sanitized lid on the rerun container and place it in the walk-in cooler.

Note: If local health codes DO NOT permit the use of rerun, the product must be discarded. Follow the instructions in the previous step, except drain the product into a mix pail and properly discard the mix.

Repeat Steps 3 through 4 for the second freezing cylinder on the Model 8756.



ALWAYS FOLLOW LOCAL HEALTH CODES.

Rinsing

Step 1

Fill the empty pail in the mix cabinet with 2 gallons (7.6 liters) of **cool**, clean water. Place the free end of the suction line in the pail of water.

Step 2

Disconnect the pressure line from the check valve and place it in the pail of water.

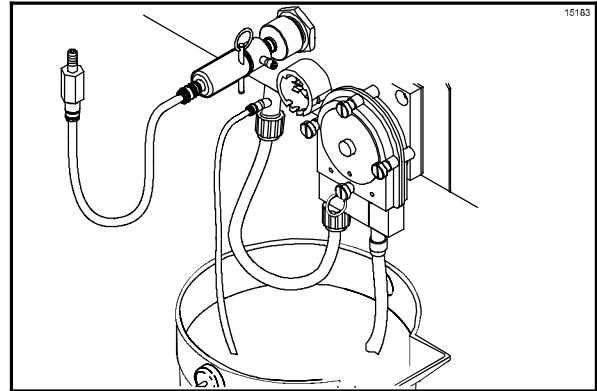


Figure 59

Step 3

Press the PUMP key. This action will cause the rinse water to be pumped through the Horizon® pump and out through the pressure line. After approximately 15 seconds, press the PUMP key to stop operation.

Step 4

Drain and connect the free end of the pressure line to the check valve.

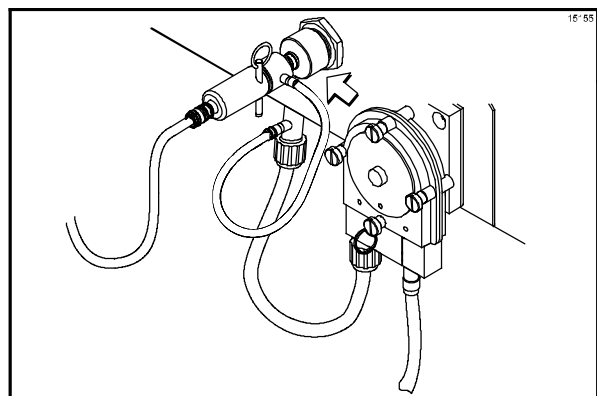


Figure 60

Step 5

Place an empty pail beneath the door spout. Raise the prime plug and press the WASH and PUMP keys.

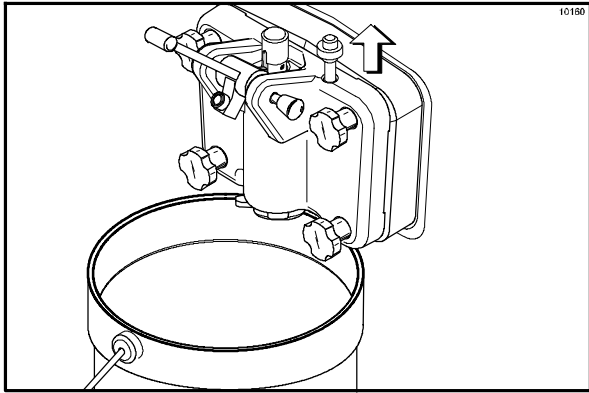


Figure 61

Step 6

When a steady stream of rinse water is flowing from the prime plug hole in the bottom of the freezer door, open the draw valve and drain all the rinse water.

Step 7

Once the rinse water stops flowing from the door spout, close the draw valve and press the WASH and PUMP keys to stop operation.

Step 8

Disconnect the pressure line from the check valve. Drain the water and then reconnect.

Step 9

Repeat this procedure using clean warm water, until the water being discharged is clear.

Repeat Steps 1 through 9 for the second freezing cylinder on the Model 8756.

Cleaning

Step 1

Prepare a pail of approved 100 PPM cleaning solution (examples: 2-1/2 gal. [9.5 liters] of Kay-5® or 2 gal. [7.6 liters] of Stera-Sheen®). USE WARM WATER AND FOLLOW THE MANUFACTURER'S SPECIFICATIONS. Place the pail of cleaning solution inside the mix cabinet and insert the suction line.

Step 2

Disconnect the pressure line from the check valve and place it in the pail of cleaning solution.

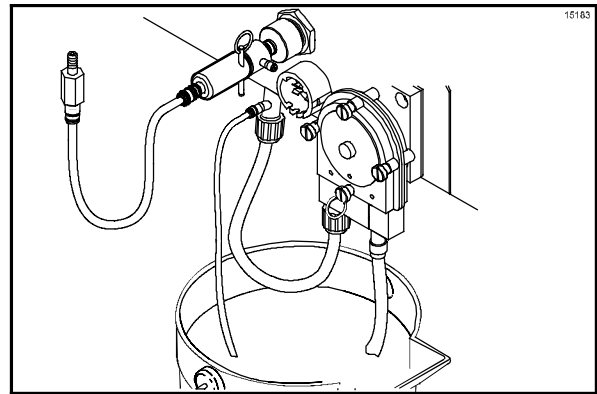


Figure 62

Step 3

Press the PUMP key. This action will cause the cleaning solution to be pumped through the Horizon® pump and out through the pressure line. After approximately 15 seconds, press the PUMP key to stop operation.

Step 4

Drain and connect the free end of the pressure line to the check valve.

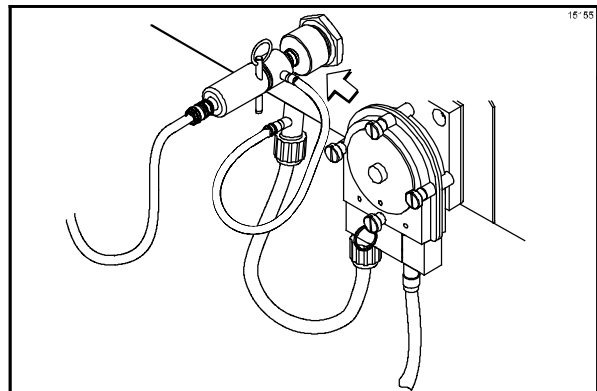


Figure 63

Step 5

Place an empty pail beneath the door spout, raise the prime plug, and press the WASH and PUMP keys.

Step 6

When a steady stream of solution is flowing from the prime plug hole in the bottom of the freezer door, pull down the draw handle and draw off the remaining cleaning solution.

Step 7

Once the solution stops flowing from the door spout, close the draw valve and press the WASH and PUMP keys to stop operation.

Repeat Steps 1 through 7 for the other side of the freezer on the Model 8756.

Step 8

Place the power switch in the OFF position before disassembling the machine.

Disassembly

Step 1

BE SURE THE POWER SWITCH IS IN THE “OFF” POSITION. CHECK TO MAKE SURE NO LIGHTS ARE ILLUMINATED ON THE CONTROL PANEL.

Step 2

Remove the handscrews, freezer door, beater, shoes, scraper blades and drive shaft from the freezing cylinder, and take them to the sink for cleaning.

Step 3

Remove the air line and the pressure line from their connections.

Step 4

Remove the check valve assembly from the pressure switch cap.

Step 5

Remove the pressure switch cap from the mix cabinet and the remove the diaphragm from the cap.

Step 6

Disassemble the check valve.

Step 7

Remove the pressure relief valve and disassemble.

Repeat Steps 2 through 7 for the other side of the freezer on the Model 8756.

Step 8

Remove the front drip tray and splash shield.

Brush Cleaning

Step 1

Prepare a sink with an approved cleaning solution (examples: Kay-5® or Stera-Sheen®). USE WARM WATER AND FOLLOW THE MANUFACTURER'S SPECIFICATIONS.

IMPORTANT: Follow the label directions. Too STRONG of a solution can cause parts damage, while too MILD of a solution will not provide adequate cleaning. Make sure all brushes provided with the freezer are available for brush cleaning.

Step 2

Remove the seal(s) from the drive shaft(s).

Step 3

Remove the scraper blade clips from the scraper blades.

Step 4

From the freezer door(s) remove the gasket(s), front bearing(s), pivot pin(s), draw handle(s), draw valve(s), prime plug(s), and the design cap(s).

Step 5

Remove the flare line(s), suction line(s), air line(s) pressure line(s), relief assembly(s), and check valve(s).

Step 6

Disassemble all parts and remove the o-rings.

Note: To remove o-rings, use a single service towel to grasp the o-ring. Apply pressure in an upward direction until the o-ring pops out of its groove. With the other hand, push the top of the o-ring forward. It will roll out of the groove and can be easily removed. If there is more than one o-ring to be removed, always remove the rear o-ring first. This will allow the o-ring to slide over the forward rings without falling into the open grooves.

Step 7

Return to the freezer with a small amount of cleaning solution. With the black bristle brush, brush clean the rear shell bearing(s) at the back of the freezing cylinder(s).

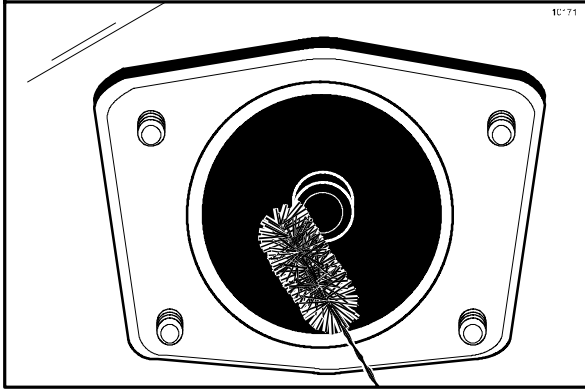


Figure 64

Step 8

Using the long, flexible brush and the cleaning solution, clean the mix inlet tube(s) located in the mix cabinet. Thoroughly clean the tube(s) all the way up to the freezing cylinder. This area needs special attention because bacteria and milkstone can build up here.

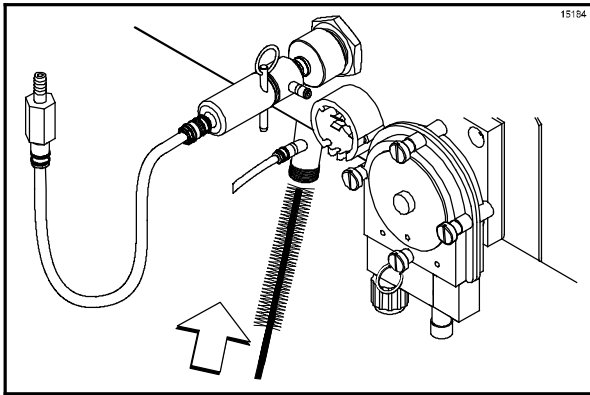


Figure 65

IMPORTANT:

- **DO NOT insert a brush into the pump tube.**
- **DO NOT remove the pump tube when cleaning the unit.**

Note: The pump tube is located inside of the Horizon® pump. (See illustration on page 13.)

Step 9

Remove the rear drip pan from the side panel and take it to the sink for cleaning.

Note: If the rear drip pan is filled with an excessive amount of mix, refer to the Troubleshooting Guide.

Step 10

Thoroughly brush clean all disassembled parts in the cleaning solution, making sure all lubricant and mix film is removed. Take particular care to brush clean the draw valve core(s) in the freezer door. Place all the cleaned parts on a clean dry surface to air dry overnight.

Step 11

Wipe clean all exterior surfaces of the freezer and the mix cabinet.

Section 7 Important: Operator Checklist

During Cleaning and Sanitizing

Cleaning and sanitizing schedules are governed by federal, state, or local regulatory agencies, and must be followed accordingly. If the unit has a “Standby mode”, it must not be used in lieu of proper cleaning and sanitizing procedures and frequencies set forth by the ruling health authority. The following check points should be stressed during the cleaning and sanitizing operations.



CLEANING AND SANITIZING MUST BE PERFORMED DAILY.



ALWAYS FOLLOW LOCAL HEALTH CODES.

Troubleshooting Bacterial Count

- 1. Thoroughly clean and sanitize the machine regularly, including complete disassembly and brush cleaning.
 - 2. Use all brushes supplied for thorough cleaning. The brushes are specially designed to reach all mix passageways.
 - 3. Use the long (38”) white bristle brush to clean the mix feed tube which extends from the mix reservoir to the rear of the freezing cylinder.
 - 4. Use the black bristle brush to thoroughly clean the rear shell bearing located at the rear of the freezing cylinder. Be sure there is a generous amount of cleaning solution on the brush.
 - 5. IF LOCAL HEALTH CODES PERMIT THE USE OF RERUN, make sure the mix rerun is stored in a sanitized, covered stainless steel container and is used the following day. DO NOT prime the machine with rerun. When using rerun, skim off the foam and discard, then mix the rerun with fresh mix in a ratio of 50/50 during the day’s operation.
- 6. On a designated day of the week, run the mix as low as feasible and discard after closing. This will break the rerun cycle and reduce the possibility of high bacteria and coliform counts.
 - 7. Properly prepare the cleaning and sanitizing solutions. Read and follow the label directions carefully. Too strong of a solution may damage the parts and too weak of a solution will not do an adequate job of cleaning or sanitizing. Sanitize the freezing cylinder for 5 minutes.
 - 8. The temperature of the mix in the mix storage cabinet and the walk-in cooler should be below 40°F. (4.4°C.).

Regular Maintenance Checks

- 1. Replace scraper blades that are bent, damaged or worn.
- 2. Before installing the beater, be certain that the scraper blades are properly attached over the pins and the beater assembly is straight.
- 3. Check the rear shell bearing for signs of wear (excessive mix leakage in the rear drip pan) and be certain it is properly cleaned.
- 4. Using a screwdriver and cloth towel, keep the rear shell bearing and the female hex drive socket clean and free of lubricant and mix deposits.
- 5. Dispose of o-rings and seals if they are worn, torn, or fit too loosely, and replace with new ones.
- 6. Follow all lubricating procedures as outlined in “Assembly”.

- 7. If your machine is air cooled, check the condensers for accumulation of dirt and lint. Dirty condensers will reduce the efficiency and capacity of the machine. Condensers should be cleaned **monthly** with a soft brush.

Note: For machines equipped with an air filter, it will be necessary to vacuum clean the filters on a monthly schedule.



Never use screwdrivers or other metal probes to clean between the fins.

- 8. On water cooled units, check the water lines for kinks or leaks. Kinks can occur when the machine is moved back and forth for cleaning or maintenance purposes. Deteriorated or cracked water lines should be replaced only by an authorized Taylor technician.
- 9. Your machine is equipped with an auxiliary refrigeration system. Check the auxiliary condenser for accumulation of dirt and lint. Dirty condensers will reduce the refrigeration capacity of the mix cabinet. Condensers must be cleaned **monthly** with a soft brush. **Never** use screwdrivers or other metal probes to clean between the fins.

Winter Storage

If the place of business is to be closed during the winter months, it is important to protect the freezer by following certain precautions, particularly if the building is subject to freezing conditions.

Disconnect the freezer from the main power source to prevent possible electrical damage.

On water cooled freezers, disconnect the water supply. Relieve pressure on the spring in the water valve. Use air pressure on the outlet side to blow out any water remaining in the condenser. **This is extremely important.** Failure to follow this procedure may cause severe and costly damage to the refrigeration system.

Your local Taylor Distributor can perform this service for you.

Wrap detachable parts of the freezer such as the beater, blades, drive shaft, and freezer door. Place these parts in a protected, dry place. Rubber trim parts and gaskets can be protected by wrapping them with moisture-proof paper. All parts should be thoroughly cleaned of dried mix or lubrication which attract mice and other vermin.

The Horizon® Pump

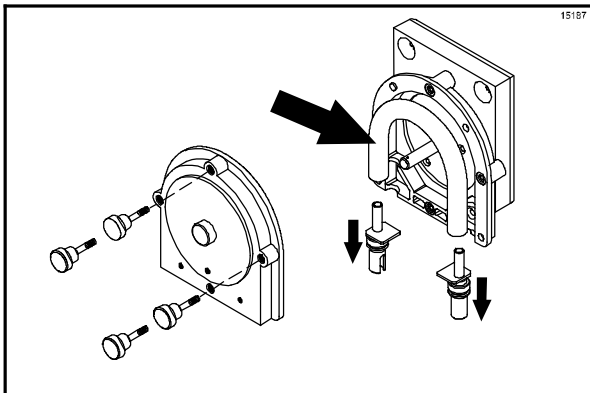


Figure 66

Replace the Horizon® pump tubing every three months.

Section 8

Troubleshooting Guide

| PROBLEM | PROBABLE CAUSE | REMEDY | PAGE REF. |
|---|--|--|-----------|
| 1. No product is being dispensed. | a. Low on mix. The "MIX OUT" light is on. | a. Add mix to the mix tank and press the AUTO key. | 15 |
| | b. The power switch is in the OFF position. | b. Place the power switch in the ON position and press the AUTO key. | - - - |
| | c. The beater motor is out on reset. | c. Reset the freezer. | 15 |
| | d. The beater assembly is rotating counterclockwise. | d. Contact service technician to correct rotation to clockwise. | - - - |
| | e. Insufficient mix in the freezing cylinder. | e. Refer to problem #2. | - - - |
| | f. Restriction in the door spout. | f. Remove the draw handle and raise the draw valve all the way up to remove restriction. Never put objects or fingers in door spout. | - - - |
| | g. Machine is unplugged. | g. Plug machine into the wall receptacle. | - - - |
| | h. Circuit breaker is off or the fuse is blown. | h. Turn the breaker on or replace the fuse. | - - - |
| | i. The mix probe was not installed properly, or was damaged. | i. Check the mix probe installation. | 29 |
| 2. Insufficient mix in the freezing cylinder. | a. Suction line is not fully submerged in the mix. | a. Arrange the suction line so the weighted end is fully submerged. | 29 |
| | b. The suction tube is kinked. | b. Be certain the tube is not obstructed. | - - - |
| | c. The draw rate is set incorrectly. | c. Set the draw rate to deliver 1/2 oz. per second. | 17 |

| PROBLEM | PROBABLE CAUSE | REMEDY | PAGE REF. |
|--|--|--|---------------|
| <p>2. Insufficient mix in the freezing cylinder. (Cont'd.)</p> | <p>d. The pump motor is not activated.</p> | <p>d. Place the power switch in the OFF position. Push the reset button on pump drive motor. Return the power switch to the ON position. Press the AUTO key. (For the Model 8756, press the AUTO key for the opposite freezing cylinder also.)</p> | <p>- - -</p> |
| | <p>e. The mix inlet tube is frozen or clogged.</p> | <p>e. Use the long flexible brush and sanitizing solution to clear the restriction in the mix inlet tube. Contact a service technician to correct the cause of over-refrigeration in the mix cabinet.</p> | <p>- - -</p> |
| | <p>f. The mix pump is pumping foam.</p> | <p>f. Incorrect handling of rerun. Must remove all foam.</p> | <p>35</p> |
| <p>3. Product is too stiff.</p> | <p>a. Viscosity control is set too cold.</p> | <p>a. Contact a service technician.</p> | <p>- - -</p> |
| | <p>b. Insufficient mix in the freezing cylinder.</p> | <p>b. Refer to problem #2.</p> | <p>- - -</p> |
| | <p>c. Improper priming procedures.</p> | <p>c. Drain the freezing cylinder and reprime the machine.</p> | <p>29</p> |
| | <p>d. Out-of-date mix.</p> | <p>d. Use fresh mix. When using rerun, skim off the foam and mix 50% rerun with 50% fresh mix during heavy draw periods.</p> | <p>29/ 42</p> |

| PROBLEM | PROBABLE CAUSE | REMEDY | PAGE REF. |
|---|--|--|------------------|
| 4. Product is too soft. | a. Viscosity control is set too warm. | a. Contact a service technician. | - - - |
| | b. Worn scraper blades. | b. Replace scraper blades regularly. | 42 |
| | c. Dirty condensers or air filters on air cooled units. | c. Clean monthly. | 36 |
| | d. Inadequate water supply on water cooled units. | d. Check the water supply. Check water lines for leaks or kinks. | 1/ 36 |
| | e. Inadequate air space around air cooled units. | e. Allow adequate room for air flow across the condensers. Minimum of 3" (7.6 cm) clearance on all sides. Do not obstruct air discharge on top. 12" (30.5 cm) clearance on top of freezer. | 1 |
| 5. Mix in the mix cabinet is too warm. | a. Warm mix was placed in the tank. | a. Mix added to the mix tank should be below 40° F (4.4° C). | 35 |
| | b. The mix cabinet door was left open. | b. The door must be kept closed. | 29 |
| | c. The mix cabinet refrigeration system needs adjustment. | c. Contact a service technician. | - - - |
| | d. The mix cabinet door gasket is not sealing. | d. Repair or replace gasket. | - - - |
| | e. Dirty mix cabinet condenser or air filter. | e. Clean monthly. | 36 |
| 6. Mix in the mix cabinet is too cold. | a. The mix cabinet refrigeration system needs adjustment. | a. Contact a service technician. | - - - |
| 7. Excessive mix leakage from the bottom of the door spout. | b. Worn, missing or incorrect o-ring is on the draw valve. | b. Check the o-rings. (Replace every 3 months.) | 42 |
| | c. Improper lubrication on the draw valve o-rings. | c. Lubricate properly. | 20 |

| PROBLEM | PROBABLE CAUSE | REMEDY | PAGE REF. |
|---|--|--|------------------|
| 8. Excessive mix leakage into the rear drip pan. | a. Worn or missing drive shaft seal. | a. Install or replace the seal. | 18/ 42 |
| | b. Improper lubrication of the drive shaft. | b. Lubricate properly. | 18 |
| | c. Worn rear shell bearing. | c. Contact a service technician to replace the rear shell bearing. | - - - |
| | d. The gear box is out of alignment. | d. Contact a service technician to align the gear box. | - - - |
| 9. The drive shaft is stuck in the gear box coupling. | a. The gear box is out of alignment. | a. Contact a service technician to align the gear box. | - - - |
| | b. Rounded corners on hex end of drive shaft or gear coupling. | b. Replace damaged component. | - - - |
| 10. Freezing cylinder walls are scored. | a. Broken pins on beater assembly. | a. Repair or replace the beater assembly. Be sure the scraper blades are properly seated on pins. | 19 |
| | b. The beater assembly is bent. | b. Repair or replace the beater assembly. Contact a service technician to correct the cause of insufficient mix in freezing cylinder. | - - - |
| | c. Missing front bearing. | c. Install the front bearing on the back of the freezer door. | 19 |
| 11. The Horizon® pump does not operate. | a. The pump motor is not activated. | a. Place the power switch in the OFF position. Push the reset button on the pump drive motor. Return the power switch to the ON position. (On the Model 8756, press the AUTO key for the opposite freezing cylinder also.) | - - - |

| PROBLEM | PROBABLE CAUSE | REMEDY | PAGE REF. |
|--|---|---|-----------|
| 12. The machine will not operate in the AUTO mode. | a. The machine is unplugged. | a. Plug the machine into the wall receptacle. | - - - |
| | b. The circuit breaker is off or the fuse is blown. | b. Turn the breaker on or replace the fuse. | - - - |
| | c. Low on mix. The "MIX OUT" light is flashing. | c. Add mix to the mix tank and press the AUTO key. | 15 |
| | d. The mix probe is not installed properly or is damaged. | d. Check the mix probe installation. | 29 |
| | e. The beater motor is out on reset. | e. Reset the freezer. | 15 |
| | f. The unit is off on high head pressure. | f. Air cooled: clean the condenser. Water cooled: check the water supply. Contact a service technician. | 36 |
| | g. The power switch is in the OFF position. | g. Place the power switch in the ON position and press the AUTO key. | 27 |

Section 9

Parts Replacement Schedule

| PART DESCRIPTION | EVERY 3 MONTHS | EVERY 4 MONTHS | EVERY 6 MONTHS | ANNUALLY | QTY. |
|----------------------------------|----------------|----------------|--------------------------------|----------|------|
| Scraper Blades | X | | | | 2* |
| Drive Shaft Seal | X | | | | 1* |
| Freezer Door Gasket | X | | | | 1* |
| Front Bearing | X | | | | 1* |
| Beater Shoes | X | | | | 2* |
| Draw Valve O-Ring | X | | | | 2** |
| Prime Plug O-Ring | X | | | | 2* |
| Pivot Pin O-Ring | X | | | | 1* |
| Design Cap | X | | | | 1** |
| Horizon® Pump Tube | X | | | | |
| White Bristle Brush, 9/16" x 44" | | | Inspect & Replace if Necessary | Minimum | 1 |
| White Bristle Brush, 1" x 2" | | | Inspect & Replace if Necessary | Minimum | 1 |
| White Bristle Brush, 3" x 7" | | | Inspect & Replace if Necessary | Minimum | 1 |
| White Bristle Brush, 3" x 1/2" | | | Inspect & Replace if Necessary | Minimum | 1 |
| Small White Bristle Brush | | | Inspect & Replace if Necessary | Minimum | 1 |
| Double Ended Brush | | | Inspect & Replace if Necessary | Minimum | 1 |
| Black Bristle Brush, 1" x 2" | | | Inspect & Replace if Necessary | Minimum | 1 |

* Double quantity for Model 8756.

** Triple quantity for Model 8756.

Section 10

Parts List

| DESCRIPTION | PART NUMBER | 8752 QTY. | 8756 QTY. | WARR. CLASS | REMARKS | PARTS UPDATE |
|----------------------------------|-------------|-----------|-----------|-------------|---------------------------|--------------|
| ADAPTOR-PUMP-CABINET-PERISTALTIC | 051947 | 1 | 2 | 103 | | |
| BEARING-REAR SHELL *NICK.PLATE | 031324 | 1 | 2 | 000 | | |
| +GUIDE-DRIP SEAL | 028992 | 1 | 2 | 000 | | |
| +NUT-BRASS BEARING | 028991 | 1 | 2 | 000 | | |
| +WASHER-BEARING LOCK | 012864 | 1 | 2 | 000 | | |
| BEATER A.-3.4QT-1 PIN-SUPPORT | X46231 | 1 | 2 | 103 | | |
| +BLADE-SCRAPER-PLASTIC 8-1/8L | 046235 | 2 | 4 | 000 | | |
| +CLIP-SCRAPER BLADE | 046236 | 2 | 4 | 103 | | |
| BEARING-FRONT-SHOE | 050348 | 1 | 2 | 000 | ORDER X50350 SHOE KIT | |
| BELT-AX35 | 022848 | 2 | | 000 | | |
| BELT-AX36 | 022849 | | 4 | 000 | | |
| BLOCK-TERMINAL 2P | 039422 | 2 | 4 | 103 | 208-230V 60HZ 1PH | |
| BLOCK-TERMINAL 3P | 039423 | 2 | 4 | 103 | 208-230V 60HZ 3PH | |
| BLOCK-TERMINAL 5P 20A, 300V | 024329 | | 1 | 103 | | |
| BLOCK-TERMINAL 3P .25 SPADE | 057201 | | 1 | 103 | | |
| BLOWER A.-STANDARD OUTPUT | X53725-27 | | 1 | 103 | | |
| CAPACITOR-RUN 7.5UF/370V | 034749 | | 1 | 103 | | |
| BOOT-CAPACITOR-INSULATING | 031314 | | 1 | 000 | | |
| MOTOR-FAN 208-230V 50/60 HZ | 053481-27 | | 1 | 103 | | |
| SCREEN-BLOWER | 053729 | | 1 | 103 | | |
| BOARD-LOGIC-GEN 2.10-W/SEL D | X36641SER2 | | 2 | 212 | 8756 S/N K9012374 & UP | |
| BOARD-LOGIC-GEN 2.9-HOPR PMP | X42002SERP | 1 | * | 212 | 8756 S/N K9012373 & PRIOR | |
| BOARD-POWER-GEN 1 & 2 | X32326-SER | 1 | 2 | 212 | | |
| BOOT-PRESSURE SWITCH | 032624 | | 2 | 000 | | |
| BRACKET A.-RESET BUTTON | X22004 | | 2 | 103 | | |
| +PIN-PIVOT | 013592 | | 2 | 103 | | |
| +EYELET-RESET BUTTON | 013739 | | 2 | 103 | | |
| BRUSH-REAR BRG 1IN.DX2IN.LGX14 | 013071 | 1 | 1 | 000 | | |
| BRUSH-DOUBLE ENDED-PUMP&FEED T | 013072 | 1 | 1 | 000 | | |
| BRUSH-DRAW VALVE 1"ODX2"X17"L | 013073 | 1 | 1 | 000 | | |
| BRUSH-FEED TUBE 9/16ODX44 DA | 021101 | 1 | 1 | 000 | | |
| BRUSH-MIX PUMP BODY-3"X7"WHITE | 023316 | 1 | 1 | 000 | | |
| BRUSH-PRESSURE SWITCH-1/8"DIA | 027647 | 1 | 2 | 000 | | |

+ Available Separately

| DESCRIPTION | PART NUMBER | 8752 QTY. | 8756 QTY. | WARR. CLASS | REMARKS | PARTS UPDATE |
|--------------------------------------|-------------|-----------|-----------|-------------|--|--------------|
| CABLE-RIBBON-PWR/RELAY-18 IN | 032444 | 1 | 2 | 103 | | |
| CAP-DESIGN-1.010"ID-6 POINT | 014218 | 1 | 3 | 000 | | |
| CASTER-SWV-3/4-10 ST. 3IN WHL | 021279 | 4 | 4 | 103 | | |
| COMPRESSOR-AIR | 032129SER2 | 1 | 1 | 103 | | |
| +CROSS-1/4 FPT | 077339 | | 1 | 103 | | |
| +FILTER-1/4 FPT - AUTO DRAIN | 077017 | 1 | 1 | 000 | | |
| +LINE A.-AIR SUPPLY - 24 INCH | X34654 | 1 | 2 | 103 | | |
| ADAPTOR-SWIVEL 1/4F X 1/4BARB | 016715 | 2 | 4 | 103 | | |
| TUBE-NYLOGRADE 1/4 ID X 7/16 OD | 020568-24 | 1 | 2 | 000 | BULK - R30317 | |
| FERRULE .475 ID NP BRASS | 021082 | 2 | 4 | 000 | | |
| +LINE A.-AIR INJECTION | X51861 | 1 | 2 | 103 | | |
| ADAPTOR-SWIVEL 1/4F X 1/4BARB | 016715 | 1 | 2 | 103 | | |
| HOSE-BEV. -.250IDX.438OD-100' | R30317 | 2' | 4' | 000 | BULK - R30317 | |
| FERRULE .475 ID NP BRASS | 021082 | 2 | 4 | 000 | | |
| FITTING-AIR INJECTION | 051862 | 1 | 2 | 103 | | |
| +FLOWMETER *PERISTALTIC PUMP* | 055404 | 1 | 2 | 103 | | |
| +TUBE-VINYL 1/8 ID X 1/4 OD | R30301 | 5' | 5' | 000 | BULK - R30301 (DRAIN) | |
| +VALVE-RELIEF 30 PSI 1/8 MPT | 039365 | 1 | 1 | 103 | | |
| +VALVE-SOLENOID 7/32ORF X 1/4FP | 065375-27 | | 2 | 103 | S/N K7033294 AND UP | |
| +VALVE-SOLENOID 7/32 ORF X 1/4 FP | 047496-27 | | * | 103 | S/N K7033293 & PRIOR | |
| COMPRESSOR L64A113BBCA -BRISTOL | 048259-27E | 1 | 2 | 512 | 208-230V 60HZ 1PH | |
| +CAPACITOR-RUN 25UF/440V | 037431 | 1 | 2 | 103 | | |
| +CAPACITOR-START 189-227UF/33 | 033044-1 | 1 | 2 | 103 | | |
| +RELAY-START-COMPRESSOR | 062363 | 1 | 2 | 103 | | |
| COMPRESSOR L63A113DBLA | 048259-33 | 1 | 2 | 512 | 208-230V 60HZ 3PH - 3 | |
| COMPRESSOR AEA0415ZXD-AE580ET | 048627-27 | 1 | 1 | 512 | MIX CABINET 208-230V 60HZ 1PH & 208-230V 60HZ 3PH | |
| +RELAY-START-COMPRESSOR | 050106-27 | 1 | 1 | 103 | 230-60-1 | |
| COMPRESSOR L63A113BBC2 (BRISTOL-OLD) | 048259-27 | | * | 512 | MAIN - 8752-PRIOR TO J9066372 | 138/143 |
| +CAPACITOR-RUN 20UF/440V | 012906 | | * | 103 | 8756-PRIOR TO J9013732 - 230-60-1 | |
| +CAPACITOR-START - 161-193UF/250V | 031790 | | * | 103 | 230-60-1 - BRISTOL | |
| +RELAY-START COMPRESSOR | 038145 | | * | 103 | 230-60-1 - BRISTOL | |
| COMPRESSOR CS18K6E-PFV (COPELAND) | 052397- | | * | 512 | MAIN-8752-J9066372/UP, 8756-J9013732/UP | 138/143 |

+ Available Separately

| DESCRIPTION | PART NUMBER | 8752 QTY. | 8756 QTY. | WARR. CLASS | REMARKS | PARTS UPDATE |
|---------------------------------|-------------|-----------|-----------|-------------|--|--------------|
| +CAPACITOR-RUN-35UF-370V | 029439 | | * | 103 | 230-60-1 | |
| +CAPACITOR-START-216-259UF-250V | 031304 | | * | 103 | 230-60-1 | |
| +RELAY-START-COMPRESSOR | 052401-27 | | * | 103 | 230-60-1 | |
| +KIT-MOUNTING-COMPRESSOR | 052197 | | * | 000 | | |
| CONTROL A.-LOW VOLTAGE PUMP | X65954-40P | | 2 | 103 | | |
| +RELAY-DPDT-24VAC-30A@277V | 054703-03 | | 2 | 103 | | |
| CONDENSER-AC-18LX14H-3ROW - OLD | 048629 | 1 | | 103 | | |
| CONDENSER-AC-18LX14H-4ROW - NEW | 050104 | | 2 | 103 | MAIN - 8756 - K5060000 & UP | 138 |
| CONDENSER-AC-9X8 -2 ROW | 029797 | 1 | 1 | 103 | MIX CABINET | |
| COUPLING-DRIVE 3/4 HEX X 1-7/8 | 012721 | 1 | 2 | 103 | | |
| +SCREW-5/16-18 X 5/16 ALLEN SET | 042511 | 2 | 4 | 000 | | |
| COVER A.-MIX TANK-SINGLE | X38726 | 1 | | 103 | | |
| COVER-MIX STORAGE-CENTER | 038827 | 1 | | 103 | | |
| +BOOT-MIX COVER | 037200 | 1 | | 000 | | |
| COVER A.-MIX TANK-SINGLE - NEW | X53266 | | 1 | 103 | RIGHT SIDE - 8756-J9013732/UP | 138 |
| COVER A.-MIX TANK-SINGLE - NEW | X53268 | | 1 | 103 | LEFT SIDE - 8756-J9013732/UP | 138 |
| COVER-MIX TANK | 024590 | | * | 103 | 8756 PRIOR TO J9013732 | |
| COVER-MIX STORAGE-LEFT | 037138 | | 1 | 103 | | |
| COVER- MIX STORAGE-RIGHT | 037139 | | 1 | 103 | | |
| +BOOT-MIX COVER | 037200 | | 2 | 000 | | |
| DECAL-INST-CLN-CAB-PERISTAL | 053339 | 1 | 1 | 000 | REPLACES 024735 | 141 |
| DECAL-DEC-TAYLOR | 033227 | 1 | | 000 | | |
| DECAL-DEC-TAYLOR | 032424 | | 1 | 000 | | |
| DECAL-DOOR-HORIZON | 052392 | 1 | 1 | 000 | MIX CABINET DOOR | |
| DECAL-TROUBLESHOOTING | 038374 | 1 | 1 | 000 | | |
| DIAGRAM-WIRING*8752*PERISTALIC | 062336-27 | 1 | | 000 | 208-230V 60HZ 1PH K412 & UP | |
| DIAGRAM-WIRING*8752*PERISTALIC | 062336-33 | 1 | | 000 | 208-230V 60HZ 3PH - 3 WIRE | |
| DIAGRAM-WIRING | 052127-27 | * | | 000 | 208-230V 60HZ 1PH 6/30/98 to 11/14/04 | |
| DIAGRAM-WIRING | 052127-33 | * | | 000 | 208-230V 60HZ 3PH 6/30/98 to 11/14/04 | |
| DIAGRAM-WIRING *8756* PERIST | 051900-27 | | 1 | 000 | S/N K9012374 & UP - 208-230V 60HZ 1PH | |
| DIAGRAM-WIRING | 051900-33 | | 1 | 000 | S/N K9012374 & UP - 208-230V 60HZ 3PH | |
| DIAGRAM-WIRING *8756* PERISTAL | 062348-27 | | * | 000 | S/N K9012373 & PRIOR - 208-230V 60HZ 1PH | |
| DIAGRAM-WIRING *8756* PERISTAL | 062348-33 | | * | 000 | S/N K9012373 & PRIOR - 208-230V 60HZ 3PH | |

+ Available Separately

| DESCRIPTION | PART NUMBER | 8752 QTY. | 8756 QTY. | WARR. CLASS | REMARKS | PARTS UPDATE |
|--------------------------------|-------------|-----------|-----------|-------------|-------------------------|--------------|
| DOOR A.-1 SPOUT | X51531-10 | 1 | | 103 | | |
| +GASKET-DOOR HT 4"-DOUBLE | 048926 | 1 | | 000 | | |
| +HANDLE A.-DRAW ADJUSTABLE | X55096 | 1 | | 103 | | |
| +HANDLE-ADJUSTABLE | 028804 | 1 | | 103 | | |
| +NUT-5/16-24 18-8 SS JAM | 029639-BLK | 1 | 3 | 000 | | |
| +O-RING-1/4 OD X .070W 50 DURO | 015872 | 1 | 3 | 000 | | |
| +SCREW-ADJUSTABLE-PLASTIC | 026592 | 1 | | 000 | | |
| +PIN A.-PIVOT | X22820 | 1 | | 103 | | |
| +O-RING-5/16 OD X .070W | 016272 | 2 | | 000 | | |
| +PLUG-PRIME | 028805 | 1 | | 103 | | |
| +O-RING-3/8 OD X .070W | 016137 | 2 | | 000 | | |
| +VALVE A.-DRAW | X18303 | 1 | | 103 | | |
| +O-RING-7/8 OD X .103W | 014402 | 2 | | 000 | | |
| +KIT A.-BEATER-FRONT SHOES | X50350 | 1 | | 000 | | |
| DOOR A.-3 SPOUT | X51532-12 | 1 | 1 | 103 | INCLUDES DECAL - 021521 | |
| +BEARING-FRONT-SHOE | 050348 | | 2 | 000 | | |
| +GASKET-DOOR-4" SHELL | 048926 | | 2 | 000 | | |
| +HANDLE A.-DRAW ADJUSTABLE | X55096 | | 3 | 103 | | |
| +O-RING-1/4 OD X .070W 50 DURO | 015872 | | 3 | 000 | | |
| +SCREW-ADJUSTMENT-STAINLESS | 033662 | | 3 | 000 | | |
| +NUT-5/16-24 18-8 SS JAM | 029639-BLK | | 3 | 000 | | |
| +PLUG-PRIME | 028805 | | 2 | 103 | | |
| +O-RING-3/8 OD X .070W | 016137 | | 4 | 000 | PRIME PLUG | |
| +ROD A.-PIVOT | X22388 | | 1 | 103 | SHORT | |
| +O-RING-5/16 OD X .070W | 016272 | | 2 | 000 | PIVOT ROD | |
| +ROD A.-PIVOT | X22387 | | 1 | 103 | LONG | |
| +O-RING-5/16 OD X .070W | 016272 | | 2 | 000 | PIVOT ROD | |
| +VALVE A.-DRAW | X18303 | | 2 | 103 | | |
| +O-RING-7/8 OD X .103W | 014402 | | 5 | 000 | DRAW VALVE | |
| +VALVE A.-DRAW | X37376 | | 1 | 103 | CENTER | |
| +SEAL-DRAW VALVE | 034698 | | 1 | 000 | CENTER DRAW VALVE | |
| DOOR A.-INS.MIX-5450-1-5454 | X22178 | 1 | | 103 | | |
| DOOR A.-INS.MIX-8657/8756/8757 | X24816 | | 1 | 103 | | |

+ Available Separately

| DESCRIPTION | PART NUMBER | 8752 QTY. | 8756 QTY. | WARR. CLASS | REMARKS | PARTS UPDATE |
|--------------------------------|-------------|-----------|-----------|-------------|---------------------------------|--------------|
| DRYER-CAP. TUBE-HP62 {DUAL} | 049346 | 1 | 1 | 000 | MIX CABINET | |
| DRYER-FILTER-HP62-3/8 X 1/4S | 048901 | 1 | 2 | 000 | MAIN | |
| DVD-OPS TRAIN VID*8756 HORIZON | 053101-DVD | 1 | 1 | 000 | | |
| EVAPORATOR-12L X 4H X 1-7/8T | X30939 | 1 | 1 | 103 | MIX CABINET | |
| FAN-EVAPORATOR 2900RPM-18W/60H | 028534-27 | 6 | 2 | 103 | MIX CABINET - 208-230V 60HZ 3PH | |
| FASTENER-CLIP 1/4-20 U TYPE 8 | 045865 | 1 | 8 | 000 | PANELS | |
| FILTER-1/4 FPT-AUTODRAIN | 077017 | 1 | 1 | 000 | | |
| FITTING-PUMP INLET 5/16 | 053691 | 1 | | 103 | | |
| FITTING-INLET-PRESSURE VALVE | 066481 | | 2 | 103 | S/N K9012374 & UP | |
| FITTING-OUTLET-PRESSURE VALV | 066480 | | 2 | 103 | S/N K9012374 & UP | |
| FITTING-PUMP TUBE-HORIZON | 066482 | | 4 | 103 | S/N K9012374 & UP | |
| FITTING-PUMP INLET | 053242 | | * | 103 | 8756 - PRIOR TO J9013732 | |
| FITTING-PUMP-OUTLET | 051944 | | * | 103 | 8756 - PRIOR TO J9013732 | |
| FLOWMETER *PERISTALTIC PUMP* | 055404 | 1 | 2 | 103 | | |
| FUNNEL-MIX | 036637 | 1 | 2 | 103 | | |
| FUSE-15 AMP CARTRIDGE | 027582 | 2 | 4 | 000 | | |
| GASKET-CAB MIX DOOR | 020134 | 1 | | 000 | | |
| GASKET-CAB MIX DOOR | 024629 | | 1 | 000 | | |
| GEAR A.*REDUCER | 021286-SER | 1 | 2 | 212 | | |
| GUARD-FAN | 028534-1 | 2 | 2 | 103 | MIX CABINET | |
| GUIDE A.-DRIP PAN *8752* | X28603 | 1 | | 103 | | |
| GUIDE A.-DRIP PAN *8756* | X28628 | | 1 | 103 | | |
| HINGE-SELF CLOSING DOOR | 020143 | 1 | 1 | 103 | | |
| +BEARING A.-HINGE | X20305 | 1 | 1 | 000 | | |
| +CAP-DOOR | 032934 | 1 | 1 | 000 | | |
| +PIN A.-UPPER HINGE | X20315 | 1 | 1 | 103 | | |
| +PLATE-LOWER HINGE | 020323 | 1 | 1 | 103 | | |
| +SPACER-HINGE | 020741 | 1 | 2 | 000 | | |
| +SHIM-DOOR | 036023 | 2 | 2 | 103 | | |
| +SUPPORT A.-HINGE | X32521 | 1 | 1 | 103 | | |
| HOLDER-FUSE 300 VOLT PANEL MT. | 027581 | 2 | 4 | 103 | | |
| HOOD | 050464 | 1 | | 103 | | |
| HOOD | 048526 | | 1 | 103 | | |

+ Available Separately

| DESCRIPTION | PART NUMBER | 8752 QTY. | 8756 QTY. | WARR. CLASS | REMARKS | PARTS UPDATE |
|----------------------------------|-------------|-----------|-----------|-------------|-------------------|--------------|
| HOUSING-FRONT-PUMP *PERISTALTIC* | 051885 | 1 | 2 | 103 | | |
| HOUSING-REAR-PUMP *PERISTALTIC* | 051886 | 1 | 2 | 103 | | |
| KIT A.-MOTOR-FAN | X62253-27 | 1 | 2 | 103 | MIX CABINET | |
| KIT A.-BEATER-FRONT SHOES | X50350 | 1 | | 000 | | |
| KIT A.-TUNE UP-1 SPOUT-NON HT | X49463-37 | 1 | | 000 | | |
| CAP-DESIGN 1.010"ID-6 POINT | 014218 | 1 | | 000 | | |
| GASKET-DOOR HT 4"-DOUBLE | 048926 | 1 | | 000 | | |
| KIT A.-BEATER-FRONT SHOES | X50350 | 1 | | 000 | | |
| O-RING-3/8 OD X .070W | 016137 | 2 | | 000 | | |
| O-RING-5/16 OD X .070W | 016272 | 1 | | 000 | | |
| O-RING-7/8 OD X .103W | 014402 | 2 | | 000 | | |
| SEAL-DRIVE SHAFT | 032560 | 1 | | 000 | | |
| TOOL-O-RING REMOVAL-FREEZER | 048260-WHT | 1 | | 000 | | |
| KIT A.-TUNE UP *HORIZON PUMP* | X53079-4 | 1 | | 000 | | |
| DIAPHRAGM-PRESSURE SWITCH | 020249 | 1 | | 000 | | |
| O-RING-13/16 OD X .139W | 021278 | 1 | | 000 | | |
| POPPET-RUBBER-BLACK | 022473 | 1 | | 000 | | |
| SPRING-COMP.300X.022X1.25 SS | 051941 | 1 | | 000 | | |
| TUBE-PUMP-PERISTALTIC | 053891 | 1 | | 000 | | |
| KIT A.-TUNE UP-3 SPOUT-NON HT | X49463-36 | | 1 | 000 | DRAW VALVE/DOOR | |
| O-RING-3/8 OD X .070W | 016137 | | 4 | 000 | PRIME PLUG | |
| TOOL- O-RING REMOVAL | 048260-WHT | | 1 | 000 | | |
| KIT A.-DRAW VALVE *TWIN SS* | X56200-3 | | 1 | 000 | | |
| CAP-DESIGN-1.010"ID-6 POINT | 014218 | | 3 | 000 | | |
| O-RING-7/8 OD X .103W | 014402 | | 7 | 000 | DRAW VALVE | |
| O-RING-5/16 OD X .070W | 016272 | | 2 | 000 | PIVOT PIN | |
| SEAL-DRAW VALVE | 034698 | | 1 | 000 | CENTER DRAW VALVE | |
| KIT A.-BARREL *TWIN SS*8784* | X56200-6 | | 1 | 000 | | |
| SEAL-DRIVE SHAFT | 032560 | | 2 | 000 | | |
| GASKET-DOOR HT 4"-DOUBLE | 048926 | | 2 | 000 | | |
| KIT A.-BEATER-FRONT SHOES | X50350 | | 2 | 000 | | |
| BEARING-FRONT-SHOE | 050348 | | 2 | 000 | | |
| SHOE-FRONT HELIX *REAR* | 050346 | | 2 | 000 | | |

+ Available Separately

| DESCRIPTION | PART NUMBER | 8752 QTY. | 8756 QTY. | WARR. CLASS | REMARKS | PARTS UPDATE |
|--------------------------------|-------------|-----------|-----------|-------------|--|--------------|
| SHOE-FRONT HELIX *FRONT* | 050347 | | 2 | 000 | | |
| KIT A.-TUNE UP HORIZON PUMP | X53079-5 | | 2 | 000 | K9012374 & UP PUMP - REPLACES X53079-4 | |
| DIAPHRAGM-PRESSURE SWITCH | 020249 | | 2 | 000 | | |
| O-RING-13/16 OD X .139W | 021278 | | 2 | 000 | | |
| O-RING-3/4 OD X .103W | 015835 | | 6 | 000 | | |
| POPET-RUBBER-BLACK | 022473 | | 4 | 000 | | |
| SPRING-COMP.300X.022X1.25 SS | 051941 | | 2 | 000 | | |
| SPRING-TAPERED 1-7/8L | 022456 | | 2 | 000 | | |
| TUBE-PUMP-PERISTALTIC | 053891 | | 2 | 000 | | |
| KIT A.-TUNE UP *HORIZON PUMP* | X53079-4 | | * | 000 | S/N K9012373 & PRIOR | |
| LABEL-3PH MTR PROT/1PH C-ENG/S | 025949 | 1 | 1 | 000 | 208-230V 60HZ 3PH | |
| LABEL-AIR DISCHARGE | 023848 | 2 | 2 | 000 | | |
| LABEL-CK MTR ROTATE-CW-ENG/SPN | 020090 | | 2 | 000 | 208-230V 60HZ 3PH | |
| LABEL-DOOR-WARN-MOVE PARTS | 032749 | 1 | 1 | 000 | | |
| LABEL-WARN-MOVE PARTS | 052180-SYM | 1 | 2 | 000 | | |
| LABEL-WARN-COVER | 051433 | 7 | 7 | 000 | | |
| LABEL-SW-POWER-OFF/ON-SYMBOLS | 052632 | 1 | 1 | 000 | | |
| LINE A.-AIR INJECTION*PERISTAL | X51861 | 1 | 2 | 103 | | |
| ADAPTOR-SWV 1/4FFLX1/4 BARB- | 016715 | 1 | 2 | 103 | | |
| FERRULE-.475 ID NP BRASS | 021082 | 2 | 4 | 000 | | |
| FITTING-AIR INJECTION | 051862 | 1 | 1 | 103 | | |
| TUBE-NYLOBRADE 1/4ID X 7/16O | 020568-25 | 1 | 2 | 000 | R30317 HOSE-BEV.-.250IDX.438OD-100' | |
| LINE A.-AIR SUPPLY-24 INCH | X34654 | 1 | 2 | 103 | | |
| ADAPTOR-SWV 1/4FFLX1/4 BARB- | 016715 | 2 | 4 | 103 | | |
| FERRULE-.475 ID NP BRASS | 021082 | 2 | 4 | 000 | | |
| TUBE-NYLOBRADE 1/4ID X 7/16O | 020568-24 | 1 | 2 | 000 | R30317 HOSE-BEV.-.250IDX.438OD-100' | |
| LINE A.-PRESSURE-VENT | X20023 | 1 | | 103 | | |
| FERRULE-3/8 OD BRASS | 030553 | 1 | | 000 | | |
| SOCKET-QD. 3/16 BARB | 020021 | 1 | | 103 | | |
| TUBE-VINYL 3/16ID X 1/16 WAL | 020940-16 | 1 | | 000 | R30314 TUBE-VINYL 3/16IDX5/16OD-100'R | |
| LINE A.-PRESSURE *752-6-7-81 | X22739 | 1 | | 103 | | |
| FERRULE-3/8 OD BRASS | 030553 | 1 | | 000 | | |

+ Available Separately

| DESCRIPTION | PART NUMBER | 8752 QTY. | 8756 QTY. | WARR. CLASS | REMARKS | PARTS UPDATE |
|-------------------------------------|-------------|-----------|-----------|-------------|--------------------------------------|--------------|
| SOCKET-QD. 3/16 BARB | 020021 | 1 | | 103 | | |
| TUBE-VINYL 3/16ID X 1/16 WAL | 020940-24 | 1 | | 000 | R30314 TUBE-VINYL 3/16IDX5/16OD-100R | |
| LINE A.-PUMP PRESSURE | X27139 | | 4 | 103 | | |
| FERRULE-3/8 OD BRASS | 030553 | | 8 | 000 | | |
| SOCKET-QD. 3/16 BARB | 020021 | | 8 | 103 | | |
| TUBE-VINYL 3/16ID X 1/16 WAL | 020940-16 | | 2 | 000 | R30314 TUBE-VINYL 3/16IDX5/16OD-100R | |
| LINE A.-FLARE 15" | 038299 | | 2 | 103 | | |
| LUBRICANT-TAYLOR 4 OZ. | 047518 | | 1 | 000 | 36 TUBES PER CASE | |
| MAN-OPER 8752/8756 HORIZON PUMP | 028752HPM | | 1 | 000 | J9041639/UP | 140 |
| MOTOR-FAN 95.3 CFM 2700 RPM | **SEE KIT | | | | X62253-27 KIT A.-MOTOR-FAN | |
| MOTOR-FAN 9 WATT | 012768-27 | | 1 | 103 | MIX CABINET | |
| +FAN-5 BLADE 7" PUSH | 016289 | | 1 | 103 | | |
| MOTOR-FAN 80 WATT 1550 RPM CW - NEW | 051744-27 | | 1 | 103 | MAIN SYSTEM-8752-J9066372/UP | 143 |
| +FAN-5 BLADE 12" PUSH 32DEG | 047279 | | 1 | 103 | | |
| +CAPACITOR-RUN 4UF/440V | 051785 | | 1 | 103 | 8752-J9066372/UP | 143 |
| +BOOT-CAPACITOR | 031314 | | 1 | 000 | | |
| MOTOR-FAN 95.3 CFM 2700 RPM | | | 1 | 103 | USE X62253-27 KIT A.-MOTOR-FAN | |
| MOTOR-1.5 HP | 021522-27 | | 2 | 212 | 208-230V 60HZ 1PH | |
| MOTOR-1.5 HP | 021522-33 | | 2 | 212 | 208-230V 60HZ 3PH | |
| MOTOR-REDUCER-SERVICE | 051874-27S | | 2 | 103 | 208-230V 60HZ 1PH | |
| +WASHER-.406 ID X 1.00 OD X .031 | 053420 | | 1 | 000 | ADDED 3/19/99 | 140 |
| NUT-STUD | 021508 | | 4 | 103 | | |
| NUT-STUD *460-664-754-56*LONG | 034382 | | 2 | 103 | | |
| NUT-STUD *460-664-754-56*SHORT | 034383 | | 2 | 103 | | |
| PAIL-MIX 10 QT. | 013163 | | 2 | 000 | | |
| PAN A.-DRIP *8752* | X23008 | | 1 | 103 | EXPANSION VALVE | |
| PAN A.-DRIP *8756* | X22811 | | 1 | 103 | EXPANSION VALVE | |
| PAN-DRIP 11-5/8"LONG | 027503 | | 1 | 103 | | |
| PAN-DRIP 17-1/4"LONG | 027504 | | 1 | 103 | | |
| PANEL A.-FRONT *8752* | X22997 | | 1 | 103 | | |
| PANEL A.-FRONT *8756* | X22879 | | 1 | 103 | | |
| PANEL A.-LOWER SIDE | X23956 | | 2 | 103 | RIGHT & LEFT | |
| PANEL-LOWER REAR | 025128 | | 1 | 103 | | |

+ Available Separately

| DESCRIPTION | PART NUMBER | 8752 QTY. | 8756 QTY. | WARR. CLASS | REMARKS | PARTS UPDATE |
|----------------------------------|-------------|-----------|-----------|-------------|-------------------|--------------|
| PANEL-LOWER REAR *657-756* | 023598 | | 1 | 103 | | |
| PANEL-UPPER REAR | 022074 | 1 | | 103 | | |
| PANEL-UPPER REAR *657-756* | 022015 | | 1 | 103 | | |
| PANEL-UPPER SIDE LEFT | 028599 | 1 | 1 | 103 | HINGED | |
| PANEL-UPPER SIDE RIGHT | 028600 | 1 | 1 | 103 | HINGED | |
| +WASHER-PLASTIC PIVOT | 013808 | 4 | 4 | 000 | | |
| PIN-RETAINING 1/4 OD X 2" | 042306 | 2 | 2 | 103 | | |
| PLATE-DEC | 033347 | 1 | | 103 | | |
| PLATE A.-DEC-756* M.C. | X32138 | | 1 | 103 | | |
| PLUG-DRIP TRAY HOLE | 029595 | 1 | 1 | 000 | | |
| PROBE A.-MIX-W/BALL CONNECTORS | X35981 | 1 | 2 | 103 | MIX CABINET | |
| PROBE A.-THERMISTOR | X31602 | 1 | 2 | 103 | BARREL | |
| PROBE A.-THERMISTOR *SHORT* | X36267 | 1 | 1 | 103 | MIX CABINET | |
| +BRACKET-THERMISTOR PROBE | 033745 | 1 | 1 | 103 | MIX CABINET | |
| PULLEY-2AK25 X .625 | 021076 | 1 | 2 | 103 | BEATER MOTOR | |
| PULLEY-2AK74-5/8 | 027822 | 1 | 2 | 103 | GEAR | |
| PUMP PERISTALTIC | | | | | | |
| ADAPTOR-PUMP-CABINET-PERISTALTIC | 051947 | 1 | 2 | 103 | | |
| FITTING-PUMP INLET 5/16 | 053691 | 1 | | 103 | | |
| FITTING-INLET-PRESSURE VALVE | 066481 | | 2 | 103 | S/N K9012374 & UP | |
| FITTING-OUTLET-PRESS.VALVE | 064007 | 1 | | 103 | | |
| FITTING-OUTLET-PRESSURE VALV | 066480 | | 2 | 103 | S/N K9012374 & UP | |
| FITTING-PUMP INLET 5/16 | 053691 | 1 | | 103 | | |
| FITTING-PUMP TUBE-HORIZON | 066482 | | 4 | 103 | S/N K9012374 & UP | |
| HOUSING-FRONT-PUMP *PERISTALTIC* | 051885 | 1 | 2 | 103 | | |
| HOUSING-REAR-PUMP *PERISTALTIC* | 051886 | 1 | 2 | 103 | | |
| INSTRUCTION-HORIZON PUMP | 063047-INS | 1 | 1 | 000 | | |
| PIN-RETAINING 1/4 OD X 2" | 042306 | 2 | 2 | 103 | | |
| ROLLER-PUMP *PERISTALTIC* | 051887 | 1 | 2 | 103 | | |
| +SCREW-1/4-20 X 3/4 SET - NEW | 051887-1 | 1 | 2 | 000 | S/N J9072394 & UP | 143 |
| +NUT-1/4-20 HEX LOCKING - NEW | 051887-2 | 1 | 2 | 000 | S/N J9072394 & UP | 143 |
| SPRING-TAPERED 1-7/8L | 022456 | 1 | 2 | 103 | | |
| +POPPET-RUBBER-BLACK | 022473 | 3 | 2 | 000 | | |

+ Available Separately

| DESCRIPTION | PART NUMBER | 8752 QTY. | 8756 QTY. | WARR. CLASS | REMARKS | PARTS UPDATE |
|--------------------------------|-------------|-----------|-----------|-------------|--|--------------|
| TUBE-PUMP *PERISTALTIC* | 053891 | 1 | 2 | 000 | | |
| RELAY-3 POLE-20A-208/240 50/60 | 066795-33 | 1 | 2 | 103 | REPLACES 012725-33 8/17/09 | |
| RELAY-DPDT-24VAC-30A@277V | 054703-03 | | 2 | 103 | CONTROL A.-LOW VOLTAGE | |
| RELAY-OVRD-1 PHASE 4 TO6.5AMP | 066843-27J | 1 | | 103 | 208-230V 60HZ 1 PH - S/N K6090000 & UP | |
| RELAY-OVRD-3PHASE-4-6.5 AMP | 066843-33J | 1 | | 103 | 208-230V 60HZ 3 PH | |
| RELAY-OVERLOAD | 049651-27K | * | | 103 | *S/N K5090000 & PRIOR | |
| RELAY-SPST-240V 50/60HZ - NEW | 053732-27 | | 2 | 103 | AIR COMPRESSOR - J9114884 - SEE VARISTOR | 148 |
| RELAY-SPDT-30 A-240 V - NEW | 032607-27 | | 1 | 103 | BLOWER - J9114884/UP | 148 |
| ROLLER-PUMP *PERISTALTIC* | 051887 | 1 | 2 | 103 | | |
| +SCREW-1/4-20 X 3/4 SET - NEW | 051887-1 | 1 | 2 | 000 | S/N J9072394 & UP | 143 |
| +NUT-1/4-20 HEX LOCKING - NEW | 051887-2 | 1 | 2 | 000 | S/N J9072394 & UP | 143 |
| SANITIZER-STERA SHEEN -GREEN | 055492 | | 1 | 000 | 100/2OZ. PACKETS/CS | |
| SANITIZER-STERA SHEEN GR. | 010425 | | 1 | 000 | 64 OZ PER JAR | |
| SANITIZER KAY-5 | 041082 | 1 | | 000 | CASE OF 125 PACKETS | |
| SCREW-THUMB #10-32 | 052016 | 4 | 8 | 000 | PUMP HOUSING | |
| SHAFT-BEATER | 032564 | 1 | 2 | 103 | | |
| +SEAL-DRIVE SHAFT | 032560 | 1 | 2 | 000 | | |
| SHELL A.-INSULATED *8752* | X24369-SER | 1 | | 512 | | |
| +STUD-NOSE CONE | 022822 | 4 | | 103 | | |
| SHELL A.-INSULATED *8756* | X24347-SER | | 1 | 512 | | |
| STUD-NOSE CONE | 022822 | | 4 | 103 | | |
| SHIELD-SPLASH | 022765 | 1 | | 103 | | |
| SHIELD-SPLASH 23 INCH | 022766 | | 1 | 103 | | |
| SHROUD A.-EVAPORATOR | X53295 | | 1 | 103 | MIX CABINET -8756- J9013732/UP | 138 |
| SHROUD A.-EVAPORATOR | X49124 | * | | 103 | MIX CABINET -8756 - PRIOR TO J9013732 | 138 |
| SPRING-TAPERED 1-7/8L | 022456 | 1 | 2 | 103 | | |
| +POPET-RUBBER-BLACK | 022473 | 3 | 2 | 000 | | |
| SOCKET A.-PROBE*BALL&SOCK*60IN | X36615 | 1 | 2 | 103 | | |
| CLIP-BALL CONNECTOR | 035813 | 3 | 6 | 000 | | |
| SCREW-5-40 X 1/4 SOCKET CAP SS | 037843 | 3 | 6 | 000 | | |
| STARTER-1 PHASE 6.3 TO 10 AMP | 066794-27K | | 2 | 103 | 208-230V 60HZ 1PH - REPLACES 041950-27K 10/14/09 | |

+ Available Separately

| DESCRIPTION | PART NUMBER | 8752 QTY. | 8756 QTY. | WARR. CLASS | REMARKS | PARTS UPDATE |
|---------------------------------|-------------|-----------|-----------|-------------|---|--------------|
| OVERLOAD-THERMAL-1P-6.3/10A | 067461-1K | | 2 | 103 | | |
| STARTER-3 PHASE 4 TO 6.5 AMP | 066794-33J | | 2 | 103 | 208-230V 60HZ 3PH - REPLACES 041950-33J 10/14/09 | |
| OVERLOAD-THERMAL-3P-4.0/6.5A | 067461-3J | | 2 | 103 | | |
| STRIP-TOP TRIM | 024827 | | 1 | 103 | | |
| SWITCH-TOGGLE-DPDT*ON-NONE-ON | 024295 | 1 | | 103 | POWER | |
| SWITCH-TOGGLE-DPDT*ON-NONE-ON | 037394 | | 1 | 103 | POWER | |
| SWITCH A.-DRAW | X33322 | 1 | | 103 | | |
| ARM A.-DRAW | X33326 | 1 | | 103 | | |
| BRACKET A.-SWITCH | X33323 | 1 | | 103 | | |
| E-RING 3/16 .335 OD | 049178 | 2 | | 000 | | |
| PIN-PIVOT | 015478 | 1 | | 103 | | |
| SPRING-RETURN | 023488 | 1 | | 103 | | |
| SWITCH-LEVER-SPDT-10A-125-250V | 028889 | 1 | | 103 | | |
| SWITCH A.-DRAW *TWIN TWIST | X38921 | | 1 | 103 | | |
| ARM-SWITCH-DRAW-LEFT | 038649 | | 1 | 103 | | |
| ARM-SWITCH-DRAW-RIGHT | 038650 | | 1 | 103 | | |
| BRACKET A.-SWITCH *338-39-754 | X38252 | | 1 | 103 | | |
| E-RING 1/4 | 032190 | | 2 | 000 | | |
| PIN-PIVOT-DRAW SWITCH | 038484 | | 1 | 103 | | |
| SPRING-RETURN L. | 023487 | | 1 | 103 | | |
| SPRING-RETURN R. | 023488 | | 1 | 103 | | |
| SWITCH A.-DRAW-TWIN TWIST | X39269 | | 1 | 103 | | |
| BRACKET-DRAW SWITCH-TWIN TWIST | 039264 | | 1 | 103 | | |
| SWITCH-LEVER-SPDT-11A-125-277V | 039252 | | 2 | 103 | | |
| SWITCH-PRESSURE 440 PSI-SOLDER | 048230 | 1 | 2 | 103 | | |
| SWITCH A.-PRESSURE*DELTRIN CAP* | X32660 | | 2 | 103 | MIX CABINET -8756-P J9013732/UP | |
| ACTUATOR-LEAF TYPE | 032653 | | 2 | 000 | | |
| BODY-PRESSURE SWITCH-DELTRIN | 032633 | | 2 | 103 | | |
| CAP-SWITCH-PRESSURE | 032635 | | 2 | 103 | | |
| DIAPHRAGM-PRESSURE SWITCH | 020249 | | 2 | 103 | | |
| O-RING-1/2ID X 5/8 OD | 017998 | | 2 | 000 | | |
| PISTON-PRESSURE SWITCH*DELTRIN | 032634 | | 2 | 103 | | |

+ Available Separately

| DESCRIPTION | PART NUMBER | 8752 QTY. | 8756 QTY. | WARR. CLASS | REMARKS | PARTS UPDATE |
|------------------------------------|-------------|-----------|-----------|-------------|---|--------------|
| SPRING-COMP.480X.047X1.00 | 032651 | | 2 | 103 | | |
| SWITCH-PLUNGER-SPDT15A125-25 | 032260 | | 2 | 103 | | |
| SWITCH A.-PRESSURE *STAINLESS CAP* | X51985 | | | 103 | MIX CABINET - 8756P - PRIOR TO J9013732 | |
| BODY-PRESSURE SWITCH*STAINLESS* | 032658 | | | 103 | | |
| CAP-PRESSURE SWITCH | 032657 | | | 000 | | |
| DIAPHRAGM-PRESSURE SWITCH | 020249 | | | 000 | | |
| O-RING-1/2ID X 5/8 OD | 017998 | | | 000 | | |
| PISTON-PRESSURE SWITCH*DELRIN | 032634 | | | 103 | | |
| SPRING-COMP.480X.047X.875 | 051942 | | | 103 | | |
| SWITCH-PLUNGER-SPDT15A125-250V | 032260 | | | 103 | | |
| TANK-MIX - 15 GALLON-PLASTIC | 020275 | 1 | | 103 | | |
| TANK A.-MIX W/DECALS | X38755 | | 2 | 103 | | |
| DECAL-MIX TANK-WRONG SIDE OUT | 038750 | | 2 | 000 | | |
| TANK-MIX 9-GALLON TAPERED BTM | 034928 | | 2 | 103 | | |
| TRAY-DRIP 16-7/8L X 5-1/8W | 020157 | 1 | | 103 | | |
| TRAY-DRIP 22-7/8L X 5-1/8W | 014533 | | 1 | 103 | | |
| TRAY-PARTS *PERISTALTIC PUMP | 063800 | 1 | 1 | 000 | S/N J9013732 & UP -REPLACES 053269 | |
| TRAY-PARTS-BARREL-3.4 QT. | 025468 | | 1 | 000 | S/N J9013732 & UP | |
| TRIM A.-SHELF | X20426 | 1 | | 103 | | |
| TRIM A.-SHELF *657-756* | X24813 | | 1 | 103 | BELOW DRIP TRAY | |
| TRIM A.-SIDE-UPPER | X22423 | 2 | | 103 | | |
| TRIM A.-SIDE *657-756* | X22424 | | 2 | 103 | | |
| TRIM-BOTTOM MIX DOOR | 024974 | 1 | | 103 | | |
| TRIM-BOTTOM MIX DOOR | 024826 | | 1 | 103 | | |
| TRIM-MIX DOOR | 024976 | 1 | | 103 | | |
| TRIM-REAR CORNER | 022071 | 2 | | 103 | RIGHT & LEFT | |
| TRIM-REAR CORNER *657-756* | 022013 | | 2 | 103 | RIGHT & LEFT | |
| TRIM-FRONT LEFT | 024824-SP | 1 | 1 | 103 | | |
| TRIM-FRONT RIGHT | 024825 | 1 | 1 | 103 | | |
| TUBE A.-MIX INLET-SOFT SERVE | X23124 | 1 | 2 | 103 | | |
| +O-RING-13/16 OD X .103W | 019330 | 1 | 2 | 000 | | |
| +SEAL-INLET TUBE | 032886 | 1 | 2 | 000 | | |
| TUBE A.-SUCTION *22 INCH* | X20450 | 1 | 2 | 103 | | |

+ Available Separately

| DESCRIPTION | PART NUMBER | 8752 QTY. | 8756 QTY. | WARR. CLASS | REMARKS | PARTS UPDATE |
|--------------------------------|-------------|-----------|-----------|-------------|---|--------------|
| COUNTERWEIGHT-SUCTION TUBE | 020452 | 1 | 2 | 103 | | |
| TUBE-VINYL 5/8 ID X 1/8 WALL | 020945-22 | 1 | 2 | 000 | BULK P/N R30326 | |
| TUBE-PUMP *PERISTALTIC* | 053891 | 1 | 2 | 000 | | |
| TUBE-VINYL 1/4ID X 1/16WALL | 020941- | 1 | 1 | 000 | BULK P/N R30312, MIX CAB SHROUD AXV DRAIN | |
| TUBE-VINYL 1/8 ID X 1/4 OD | R30301 | 5' | 5' | 000 | BULK - R30301 (DRAIN) - AIR COMPRESSOR | |
| VALVE A.-ACCESS *5454*CABINET | X49653 | 1 | 1 | 103 | | |
| VALVE A.-CHECK *PERISTALTIC* | X51938-SP | 1 | | 103 | | |
| BODY-CHECK VALVE *PERISTALTI | 051945-SP | 1 | | 103 | | |
| CAP-VALVE-CHECK-PERISTALTIC | 051946 | 1 | | 103 | | |
| O-RING-13/16 OD X .139W | 021278 | 1 | | 000 | | |
| PIN-RETAINING 1/4 OD X 2" L | 042306 | 1 | | 103 | | |
| POPPET-RUBBER-BLACK | 022473 | 1 | | 000 | | |
| SOCKET-Q.D. LIQ. 1/8 MPT | 022159 | 1 | | 103 | | |
| SPRING-COMP.300X.022X1.25 SS | 051941 | 1 | | 000 | | |
| VALVE A.-CHECK *PERISTALTIC* | X51938 | | 2 | 103 | 8756 - S/N K9012374 & UP | |
| BODY-CHECK VALVE *PERISTALTI | 051945 | | 2 | 103 | | |
| CAP-VALVE-CHECK-PERISTALTIC | 051946 | | 2 | 103 | | |
| O-RING-13/16 OD X .139W | 021278 | | 2 | 000 | | |
| PIN-RETAINING 1/4 OD X 2" L | 042306 | | 2 | 103 | | |
| PLUG-Q.D. LIQ. 1/8 MPT | 022134 | | 2 | 103 | | |
| POPPET-RUBBER-BLACK | 022473 | | 2 | 000 | | |
| SOCKET-Q.D. LIQ. 1/8 MPT | 022159 | | 2 | 103 | | |
| SPRING-COMP.300X.022X1.25 SS | 051941 | | 2 | 000 | | |
| VALVE A.-CHECK | X51938-SP | | | 103 | 8756 - S/N K9012373 & PRIOR | |
| BODY A.-CHECK VALVE | 051945-SP | | | 103 | | |
| CAP-CHECK VALVE | 051946 | | | 103 | | |
| O-RING-13/16 OD X .139W | 021278 | | | 000 | | |
| PIN-RETAINING 1/4 OD X 2" LONG | 042306 | | | 103 | | |
| POPPET-RUBBER-BLACK | 022473 | | | 000 | | |
| SOCKET-Q.D. LIQ. 1/8 MPT | 022159 | | | 103 | | |
| SPRING-COMP.300X.022X1.25 SS | 051941 | | | 000 | | |
| VALVE A.-RELIEF | X64006 | 1 | 2 | 103 | 8756 K6052016 & UP 8752 K6053032 & UP | PTS09805 |

+ Available Separately

| DESCRIPTION | PART NUMBER | 8752 QTY. | 8756 QTY. | WARR. CLASS | REMARKS | PARTS UPDATE |
|----------------------------------|-------------|-----------|-----------|-------------|---|--------------|
| VALVE A.-PRESSURE RELIEF HORZ. | X62220 | | | 103 | 8756 K6052015 & PRIOR 8752 K6053031 & PRIOR | PTS09805 |
| VALVE-ACCESS 1/4 X 3/8 SOLDER | 029406 | 1 | 1 | 103 | | |
| VALVE-ACCESS 1/4FL X 1/4SOLDER | 044404 | 1 | 1 | 103 | | |
| VALVE-ACCESS 1/4FL X 3/8SOLDER | 043232 | 1 | 2 | 103 | | |
| VALVE-ACCESS-1/4 MFLX1/4 S-90 | 047016 | 1 | 2 | 103 | | |
| VALVE-EPR 1/4S | 022665 | 1 | 1 | 103 | MIX CABINET | |
| VALVE-EXP-AUTO-1/4S X1/4 FPT | 046365 | 1 | 2 | 103 | | |
| +BOOT-EXPANSION VALVE | 050900 | 1 | 2 | 000 | | |
| VALVE A.-RELIEF | X64006 | 1 | | 103 | | |
| VALVE-RELIEF 30 PSI 1/8 MPT | 039365 | 1 | 1 | 103 | | |
| VALVE-SOLENOID 7/32ORF X 1/4FP | 065375-27 | | 2 | 103 | S/N K7033294 AND UP | |
| VALVE-SOLENOID 7/32 ORF X 1/4 FP | 047496-27 | | * | 103 | S/N K7033293 & PRIOR | |
| VARISTOR A.-280VAC - NEW | X34664 | | 2 | 000 | FOR 053732-27 RELAY - J9114884/UP | 148 |
| WIRE A.- #18 GRN/YEL 5" | X27403 | 2 | | 103 | | |
| WIRE A.-PRESSURE*LONG* | X32663 | | 2 | 103 | FOR X51985 PRESSURE SWITCH | |

+ Available Separately

| DESCRIPTION | PART NUMBER | 8752 QTY. | 8756 QTY. | WARR. CLASS | REMARKS | PARTS UPDATE |
|---------------------------------|-------------|-----------|-----------|-------------|---------|--------------|
| WATER COOLED | | | | | | |
| BRACKET-FAN *454/455/458/752* | 022077 | 1 | | 103 | | |
| BRACKET-FAN MTR.*8657*SYRUP | 048524 | | 1 | 103 | | |
| CONDENSER-WC-COAX | 048287 | 1 | 2 | 103 | | |
| ENCLOSURE-FAN *8657-756-757*WC | 030955 | | 1 | 103 | | |
| HOSE-RUBBER 1/2 ID X 7/8 OD | R50200 | 10' | 25' | 000 | | |
| +CLAMP-HOSE 3/4 ID CONST TENSIN | 067113 | 4 | | 000 | | |
| +CLAMP-HOSE 7/8-EAR-ZINC PLATE | 043891 | | 8 | 000 | | |
| MOTOR-FAN 9 WATT 1550RPM-CW | 012768-27 | 2 | 1 | 103 | | |
| +FAN-5 BLADE 7 " PUSH 30DEG CW | 016289 | 2 | 1 | 103 | | |
| OUTLET A.-TEE WATER VALVE | X25900 | | 1 | 103 | | |
| PLATE A.-COUPLING *8657-8756* | X27762 | | 1 | 103 | | |
| SHROUD A.-CONDENSER *8657-8756 | X30957 | | 1 | 103 | | |
| SWITCH-PRESSURE 350 PSI-SOLDER | 048231 | 1 | 2 | 103 | | |

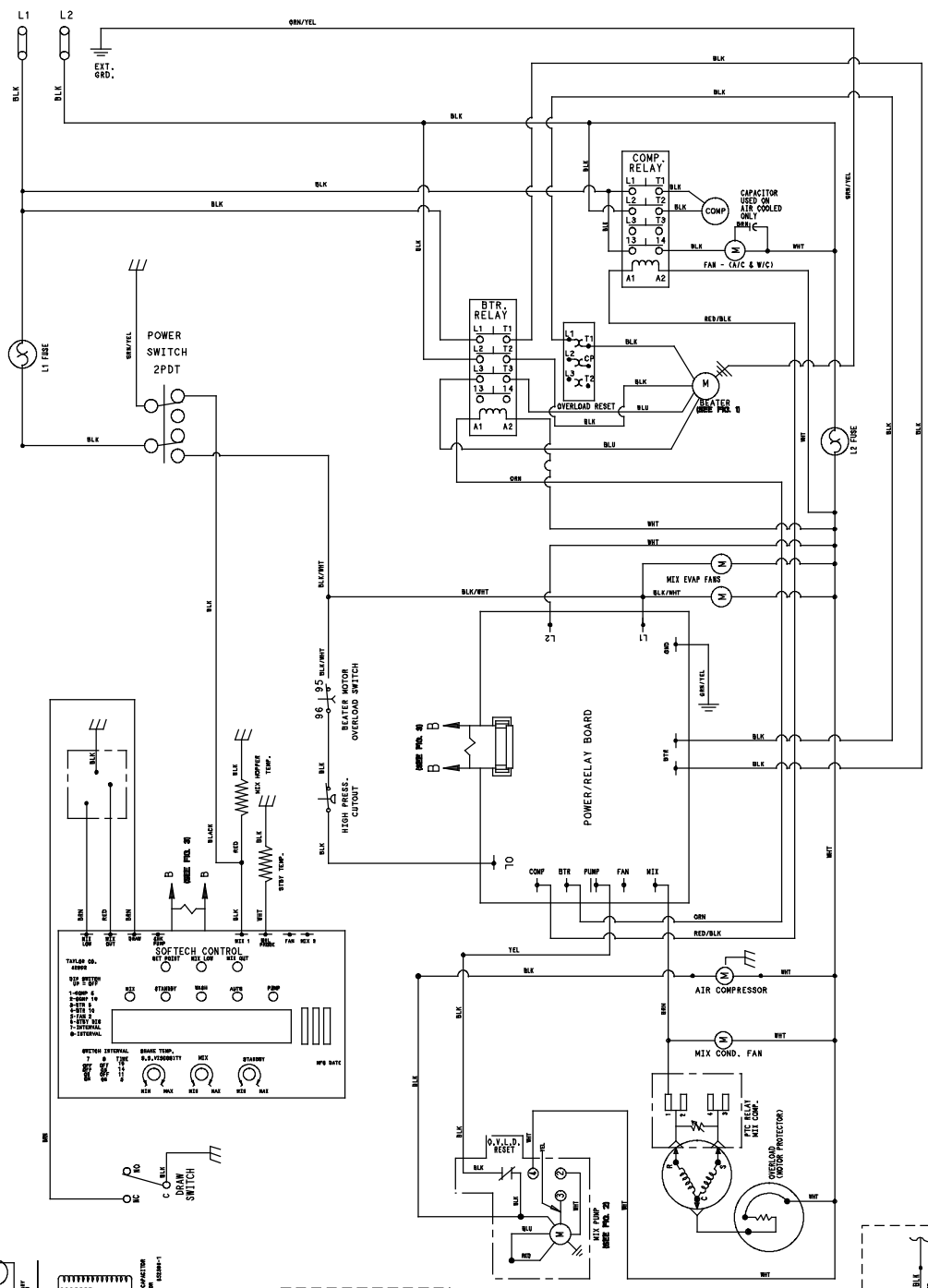
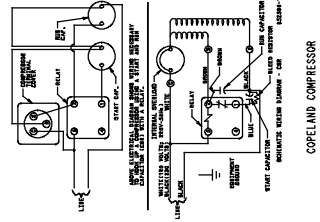
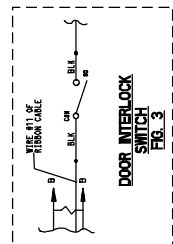
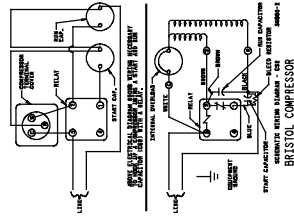
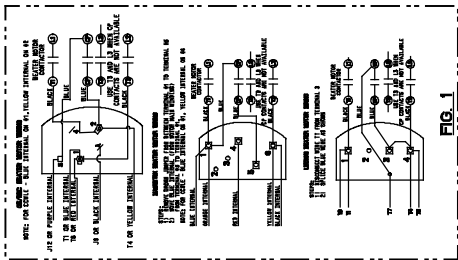
| DESCRIPTION | PART NUMBER | 8752 QTY. | 8756 QTY. | WARR. CLASS | REMARKS | PARTS UPDATE |
|--------------------------------|-------------|-----------|-----------|-------------|---------|--------------|
| TEE-1/2 X 3/8 X 3/8FP GALV. | 024333 | | 1 | 000 | | |
| VALVE-WATER 3/8 REG/HEAD PRESS | 046686 | 1 | 2 | 103 | | |
| +BRACKET-VALVE-WATER MOUNT | 038777 | 1 | | 103 | | |
| +SCREW-8-32X5/16 PHIL PAN EXT. | 038778 | 2 | | 000 | | |

| DESCRIPTION | PART NUMBER | 8752 QTY. | 8756 QTY. | WARR. CLASS | REMARKS | PARTS UPDATE |
|--------------------------------|-------------|-----------|-----------|-------------|---------------------------------------|--------------|
| 50HZ | | | | | | |
| BELT-AX36 | 022849 | 2 | | 000 | | |
| BELT-AX37 | 023447 | | 4 | 000 | | |
| BLOCK-TERMINAL 2P L1,N | 039421 | 2 | | 103 | 220-240V 50HZ 1PH | |
| BLOCK-TERMINAL 4P L1,L2,L3,N | 039424 | 2 | 4 | 103 | 380-415V 50HZ 3N~ | |
| BLOCK-TERMINAL 7P GREEN | 024156 | 1 | 2 | 103 | 220-240V 50HZ 1PH | |
| CAPACITOR-RUN 25UF/370VAC | 023739 | 1 | 1 | 103 | 220-240V 50HZ 1PH | |
| CAPACITOR-START 161-193UF/25 | 031790 | 1 | 1 | 103 | 220-240V 50HZ 1PH | |
| CAPACITOR-RUN 4UF/370V | 019624 | 1 | | 103 | 380-415V 50HZ 3N~ | |
| COMPRESSOR AEA0415ZXC-AE580JT | 048627-40 | 1 | 1 | 512 | 220-240V 50HZ 1PH & 380-415V 50HZ 3PH | |
| +CAPACITOR-RUN 25UF/370VAC | 023739 | 1 | | 103 | | |
| +CAPACITOR-START 161-193UF/25 | 031790 | 1 | | 103 | | |
| +RELAY-START-COMPRESSOR | 038146 | 1 | | 103 | | |
| COMPRESSOR L63A113DBEA | 048259-58 | 1 | 1 | 512 | 220-240V 50HZ 1PH & 380-415V 50HZ 3PH | |
| COMPRESSOR L63A113BBKA | 048259-40 | | 1 | 512 | 220-240V 50HZ 1PH & 380-415V 50HZ 3N~ | |
| CORD-16-3 SPT-3 | 023907-40 | | 1 | 000 | 220-240V 50HZ 1PH | |
| DIAGRAM-WIRING*8752*PERIS | 062336-40 | 1 | | 000 | 380-415V 50HZ 3N~ | |
| DIAGRAM-WIRING*8752*PERISTAL | 062336-58 | 1 | | 000 | 380-415V 50HZ 3N~ (4WIRE) | |
| DIAGRAM-WIRING *8756* PERISTAL | 062348-40 | | 1 | 000 | 220-240V 50HZ 1PH | |
| DIAGRAM-WIRING *8756* PERISTAL | 051900-58 | | 1 | 000 | | |
| FUSE-15 AMP CARTRIDGE | 027582 | 4 | 6 | 000 | | |
| INDICATOR-DIGITAL TEMP-SO | 051234-C | 1 | | 103 | | |
| MOTOR-FAN 100W 220-240V 50HZ | 047178-34 | 1 | | 103 | 220-240V 50HZ 1PH | |
| +CAPACITOR-RUN 4UF/370V | 019624 | 1 | | 103 | 220-240V 50HZ 1PH | |
| +BOOT-CAPACITOR-INSULATING | 031314 | 1 | | 000 | 220-240V 50HZ 1PH | |
| MOTOR-1.5 HP CAPS@10&2 O' | 021522-34 | 1 | 2 | 212 | 220-240V 50HZ 1PH | |

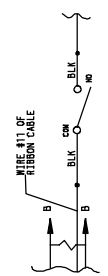
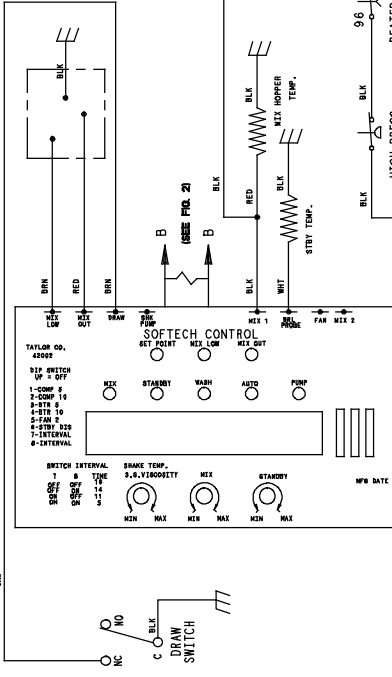
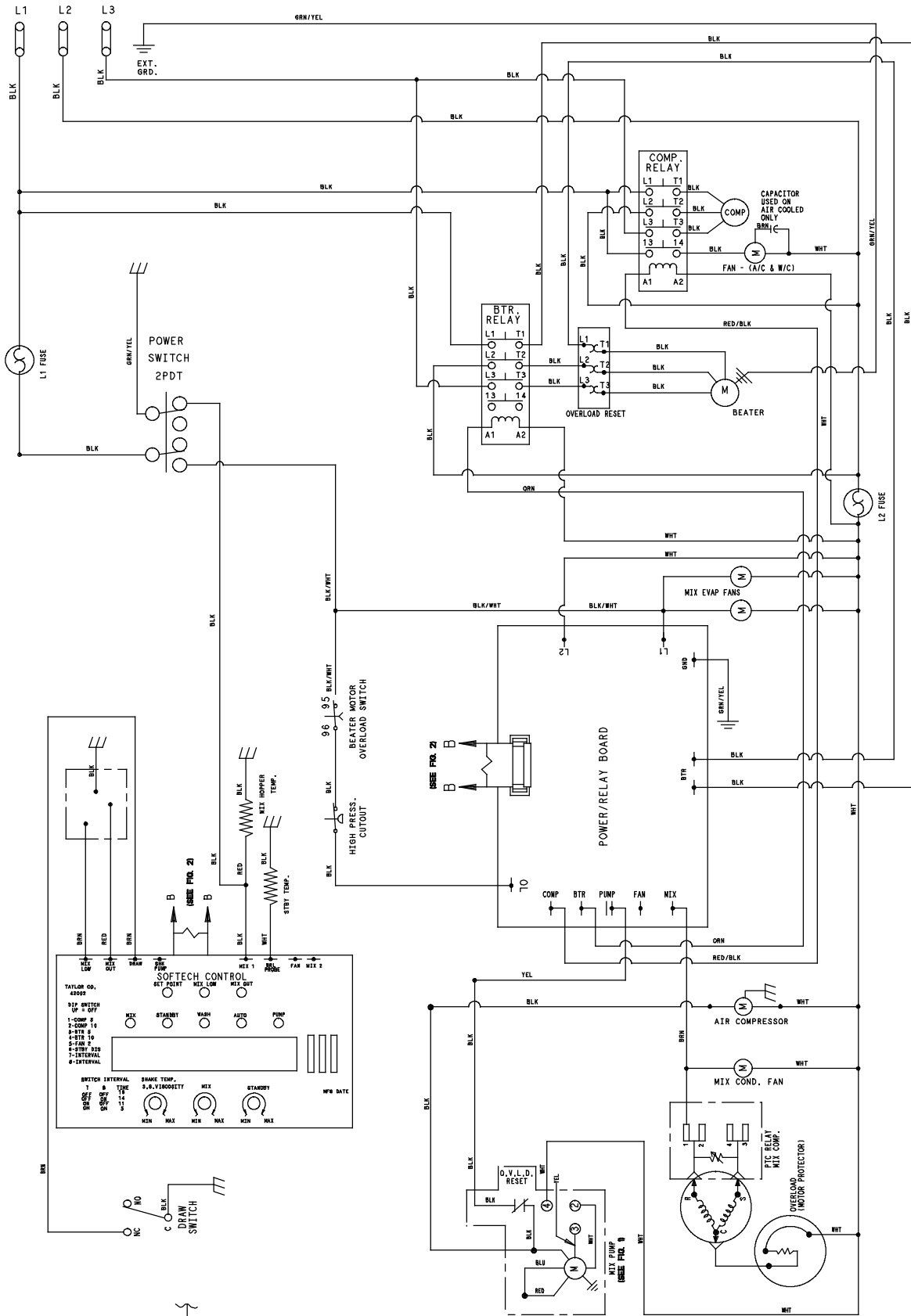
+ Available Separately

| DESCRIPTION | PART NUMBER | 8752 QTY. | 8756 QTY. | WARR. CLASS | REMARKS | PARTS UPDATE |
|------------------------------|-------------|-----------|-----------|-------------|---------------------------------------|--------------|
| MOTOR-1.5 HP | 021522-35 | 1 | 2 | 212 | 380-415V 50HZ 3N~ | |
| MOTOR-REDUCER-SERVICE | 051874-40S | 1 | 2 | 212 | 220-240V 50HZ 1PH & 380-415V 50HZ 3N~ | |
| PULLEY-2AK30 X .625-.6265 | 010052 | 1 | 2 | 103 | | |
| RELAY-OVRD-1PHASE-6.3-10 | 066843-27K | 1 | | | 220-240V 50HZ 1PH | |
| RELAY-OVRD-3PHASE-2.5-4 | 066843-33H | 1 | | | 380-415V 50HZ 3N~ | |
| RELAY-START-COMPRESSOR | 038146 | 1 | 1 | 103 | | |
| SPRING-COMP.970X.115X2.00 | 025707 | 2 | | 103 | | |
| SPRING-COMP.970X.113X1.5 | 032967 | | 4 | 103 | | |
| STARTER-3 PHASE-2.0 TO 3. | 041950-33H | | 2 | 103 | | |
| STARTER-3 PHASE 2.5 TO 4 AMP | 066794-33H | | 2 | 103 | 380-415V 50HZ 3N~ (4WIRE) | |
| VALVE A.-CHECK *PERISTALTIC* | X51938 | 1 | 2 | | 220-240V 50HZ 1PH & 380-415V 50HZ 3N~ | |

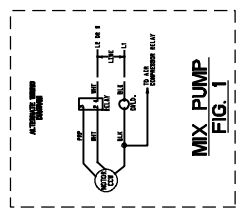
+ Available Separately



Model 8752P
062336-27
Rev. 6/11

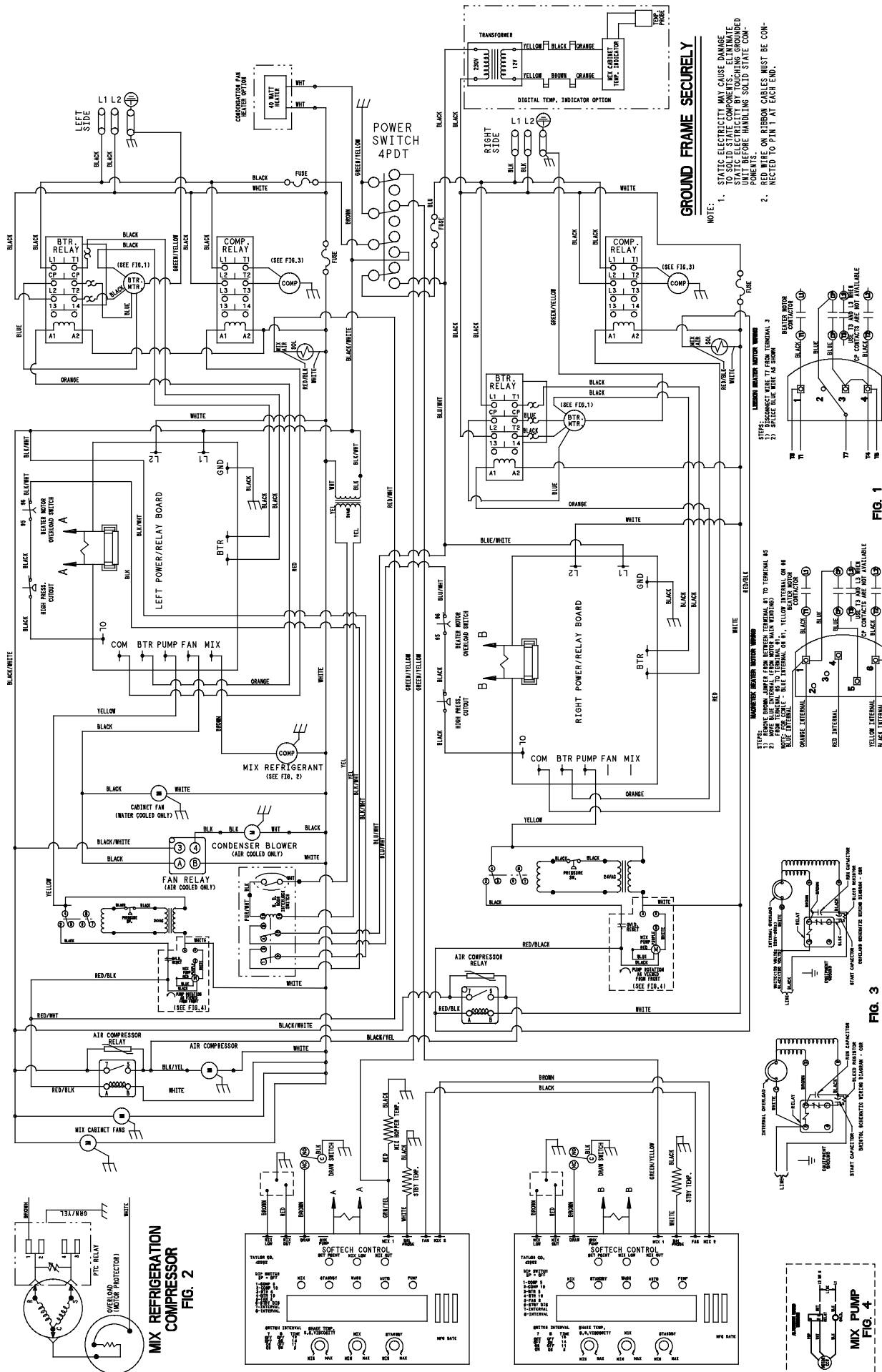


DOOR INTERLOCK SWITCH FIG. 2



MIX PUMP FIG. 1

**Model 8752P
062336-33
Rev. 6/11**



GROUND FRAME SECURELY

- NOTE:
1. STATIC ELECTRICITY MAY CAUSE DAMAGE TO SOLID STATE COMPONENTS. ELIMINATE STATIC BY TOUCHING THE UNIT BEFORE HANDLING SOLID STATE COMPONENTS.
 2. RED WIRE ON RIBBON CABLES MUST BE CONNECTED TO PIN 1 AT EACH END.

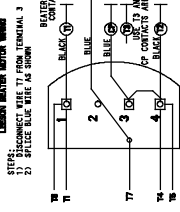


FIG. 1

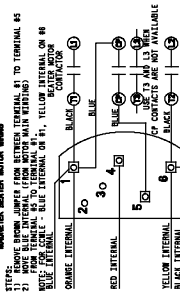


FIG. 2

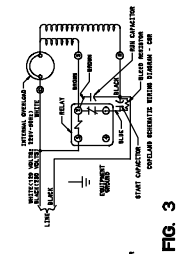


FIG. 3

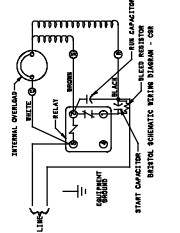
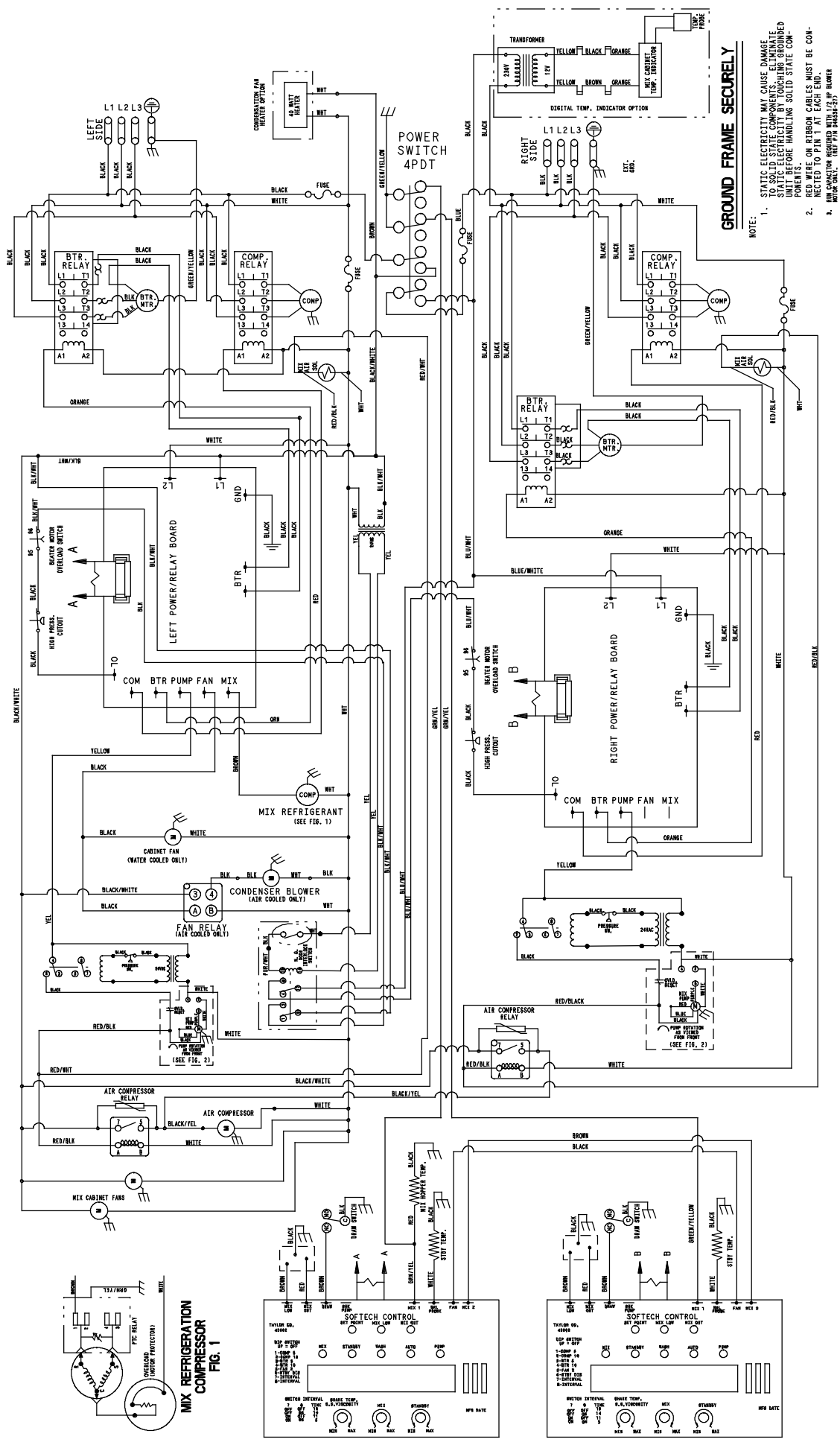


FIG. 4

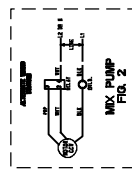
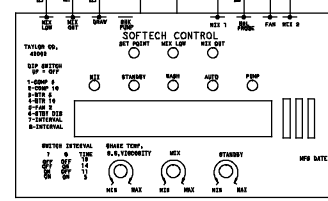
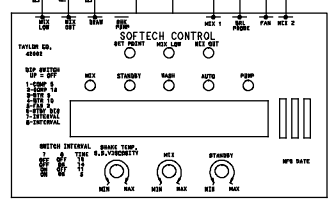
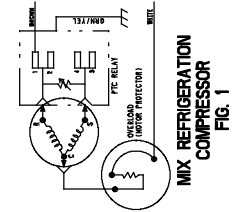
MIX REFRIGERATION COMPRESSOR
FIG. 2

Model 8756P
051900-27
Rev. 6/11



GROUND FRAME SECURELY

- NOTE:
1. STATIC ELECTRICITY MAY CAUSE DAMAGE TO THE CONTROL BOARD. DISCHARGE STATIC ELECTRICITY BY TOUCHING GROUNDED METAL PARTS BEFORE HANDLING SOLID STATE COMPONENTS. ON REFRIG. CABLES, MUST BE CONNECTED TO PIN 1 AT EACH END.
 2. RIM CAPACITOR REQUIRED WITH 1/2 HP BLOWER MOTOR ONLY. (REF. P/N 84493-27)



Model 8756P
051900-33
Rev. 6/11

Free Manuals Download Website

<http://myh66.com>

<http://usermanuals.us>

<http://www.somanuals.com>

<http://www.4manuals.cc>

<http://www.manual-lib.com>

<http://www.404manual.com>

<http://www.luxmanual.com>

<http://aubethermostatmanual.com>

Golf course search by state

<http://golfingnear.com>

Email search by domain

<http://emailbydomain.com>

Auto manuals search

<http://auto.somanuals.com>

TV manuals search

<http://tv.somanuals.com>