

# OPERATOR'S MANUAL



## Model 358 & 359 Thick Shake Freezers

**Original Operating Instructions**

**056788-M**

8/2/10 (Original Publication)  
(Updated 8/25/14)

**Complete this page for quick reference when service is required:**

Taylor Distributor: \_\_\_\_\_

Address: \_\_\_\_\_

Phone: \_\_\_\_\_

Service: \_\_\_\_\_

Parts: \_\_\_\_\_

Date of Installation: \_\_\_\_\_

**Information found on the data label:**

Model Number: \_\_\_\_\_

Serial Number: \_\_\_\_\_

Electrical Specs: Voltage \_\_\_\_\_ Cycle \_\_\_\_\_

Phase \_\_\_\_\_

Maximum Fuse Size: \_\_\_\_\_ A

Minimum Wire Ampacity: \_\_\_\_\_ A

© 2010 Carrier Commercial Refrigeration, Inc.  
056788-M

Any unauthorized reproduction, disclosure, or distribution of copies by any person of any portion of this work may be a violation of Copyright Law of the United States of America and other countries, could result in the awarding of Statutory Damages of up to \$250,000 (17 USC 504) for infringement, and may result in further civil and criminal penalties. All rights reserved.



Taylor Company  
a division of Carrier Commercial Refrigeration, Inc.  
750 N. Blackhawk Blvd.  
Rockton, IL 61072

# Table of Contents

---

|                  |   |           |
|------------------|---|-----------|
| <b>Section 1</b> | <b>To the Installer</b> .....                     | <b>1</b>  |
|                  | Installer Safety .....                            | 1         |
|                  | Site Preparation .....                            | 1         |
|                  | Air Cooled Units .....                            | 2         |
|                  | Electrical Connections .....                      | 2         |
|                  | Beater Rotation .....                             | 2         |
|                  | Refrigerant .....                                 | 3         |
| <b>Section 2</b> | <b>To the Operator</b> .....                      | <b>4</b>  |
| <b>Section 3</b> | <b>Safety</b> .....                               | <b>5</b>  |
| <b>Section 4</b> | <b>Operator Parts Identification</b> .....        | <b>7</b>  |
|                  | Model 358 .....                                   | 7         |
|                  | Model 359 .....                                   | 8         |
|                  | Beater and Door Assembly .....                    | 9         |
|                  | Accessories .....                                 | 10        |
| <b>Section 5</b> | <b>Important: To the Operator</b> .....           | <b>11</b> |
|                  | Power Switch .....                                | 12        |
|                  | Indicator Light - "Mix Out" .....                 | 12        |
|                  | Reset Button .....                                | 12        |
|                  | Air Tube .....                                    | 12        |
| <b>Section 6</b> | <b>Operating Procedures</b> .....                 | <b>13</b> |
|                  | Assembly .....                                    | 13        |
|                  | Sanitizing .....                                  | 16        |
|                  | Priming .....                                     | 17        |
|                  | Closing Procedure .....                           | 18        |
|                  | Draining Product From the Freezing Cylinder ..... | 18        |
|                  | Rinsing .....                                     | 18        |
|                  | Cleaning .....                                    | 19        |

---

|   |           |
|---|-----------|
| Disassembly .....                                     | 19        |
| Brush Cleaning .....                                  | 19        |
| <b>Section 7 Important: Operator Checklist .....</b>  | <b>21</b> |
| During Cleaning and Sanitizing .....                  | 21        |
| Troubleshooting Bacterial Count .....                 | 21        |
| Regular Maintenance Checks .....                      | 21        |
| Winter Storage .....                                  | 22        |
| <b>Section 8 Troubleshooting Guide .....</b>          | <b>23</b> |
| <b>Section 9 Parts Replacement Schedule .....</b>     | <b>26</b> |
| <b>Section 10 Limited Warranty on Equipment .....</b> | <b>27</b> |
| <b>Section 11 Limited Warranty on Parts .....</b>     | <b>29</b> |
| Wiring Diagrams .....                                 | 32        |

**Note: Continuing research results in steady improvements; therefore, information in this manual is subject to change without notice.**

**Note: Only instructions originating from the factory or its authorized translation representative(s) are considered to be the original set of instructions.**

© 2010 Carrier Commercial Refrigeration, Inc. (Original Publication)  
(Updated August, 2014)  
056788-M

Any unauthorized reproduction, disclosure, or distribution of copies by any person of any portion of this work may be a violation of Copyright Law of the United States of America and other countries, could result in the awarding of Statutory Damages of up to \$250,000 (17 USC 504) for infringement, and may result in further civil and criminal penalties.

All rights reserved.



Taylor Company  
a division of Carrier Commercial Refrigeration, Inc.  
750 N. Blackhawk Blvd.  
Rockton, IL 61072

# Section 1

# To the Installer

The following information has been included in the manual as safety and regulatory guidelines. For complete installation instructions, please see the Installation Checklist.

## Installer Safety



In all areas of the world, equipment should be installed in accordance with existing local codes. Please contact your local authorities if you have any questions.

Care should be taken to ensure that all basic safety practices are followed during the installation and servicing activities related to the installation and service of Taylor equipment.

- Only authorized Taylor service personnel should perform installation and repairs on the equipment.
- Authorized service personnel should consult OSHA Standard 29CFR1910.147 or the applicable code of the local area for the industry standards on lockout/tagout procedures before beginning any installation or repairs.
- Authorized service personnel must ensure that the proper PPE is available and worn when required during installation and service.
- Authorized service personnel must remove all metal jewelry, rings, and watches before working on electrical equipment.



The main power supply(s) to the freezer must be disconnected prior to performing any repairs. Failure to follow this instruction may result in personal injury or death from electrical shock or hazardous moving parts as well as poor performance or damage to the equipment.

**Note: All repairs must be performed by an authorized Taylor Service Technician.**



This unit has many sharp edges that can cause severe injuries.

## Site Preparation

Review the area where the unit will be installed before uncrating the unit. Make sure all possible hazards to the user or equipment have been addressed.

**For Indoor Use Only:** This unit is designed to operate indoors, under normal ambient temperatures of 70°-75°F (21°-24°C). The freezer has successfully performed in high ambient temperatures of 104° (40°C) at reduced capacities.



This unit must **NOT** be installed in an area where a water jet or hose can be used. **NEVER** use a water jet or hose to rinse or clean the unit. Failure to follow this instruction may result in electrocution.



This unit must be installed on a level surface to avoid the hazard of tipping. Extreme care should be taken when moving this equipment for any reason. Two or more persons are required to safely move this unit. Failure to comply may result in personal injury or equipment damage.

Uncrate the unit and inspect it for damage. Report any damage to your Taylor Distributor.

This piece of equipment is made in the USA and has USA sizes of hardware. All metric conversions are approximate and vary in size.

## Air Cooled Units

**DO NOT** obstruct air intake and discharge openings:

Air cooled units require a minimum of 3" (76 mm) of clearance around all sides of the freezers and 3-1/2" (89 mm) on the bottom.

Model 359 only: Installation of air deflector is required.

Failure to allow adequate clearance can reduce the refrigeration capacity of the freezers and possibly cause permanent damage to the compressors.

## Electrical Connections

In the United States, this equipment is intended to be installed in accordance with the National Electrical Code (NEC), ANSI/NFPA 70-1987. The purpose of the NEC code is the practical safeguarding of persons and property from hazards arising from the use of electricity. This code contains provisions considered necessary for safety. In all other areas of the world, equipment should be installed in accordance with the existing local codes. Please contact your local authorities.



Each freezer requires one power supply for each data label on the freezer. Check the data label(s) on the freezer for branch circuit overcurrent protection or fuse, circuit ampacity and other electrical specifications. Refer to the wiring diagram provided inside the control box for proper power connections.



**CAUTION: THIS EQUIPMENT MUST BE PROPERLY GROUNDED! FAILURE TO DO SO CAN RESULT IN SEVERE PERSONAL INJURY FROM ELECTRICAL SHOCK!**



This unit is provided with an equipotential grounding lug that is to be properly attached to the rear of the frame by the authorized installer. The installation location is marked by the equipotential bonding symbol (5021 of IEC 60417-1) on both the removable panel and the equipment's frame.



- Stationary appliances which are not equipped with a power cord and a plug or another device to disconnect the appliance from the power source must have an all-pole disconnecting device with a contact gap of at least 3 mm installed in the external installation.
- Appliances that are permanently connected to fixed wiring and for which leakage currents may exceed 10 mA, particularly when disconnected, not used for long periods, or during initial installation, shall have protective devices such as a GFI to protect against the leakage of current, installed by authorized personnel to the local codes.
- Supply cords used with this unit shall be oil-resistant, sheathed flexible cable, not lighter than ordinary polychloroprene or other equivalent synthetic elastomer-sheathed cord (Code designation 60245 IEC 57) installed with the proper cord anchorage to relieve conductors from strain, including twisting, at the terminals and protect the insulation of the conductors from abrasion.

If the supply cord is damaged, it must be replaced by an authorized Taylor service technician in order to avoid a hazard.

## Beater Rotation



Beater rotation must be clockwise as viewed looking into the freezing cylinder.

**Note:** The following procedures must be performed by an authorized Taylor service technician.

To correct the rotation on a three-phase unit, interchange any two incoming power supply lines at the freezer main terminal block only.

To correct rotation on a single-phase unit, change the leads inside the beater motor. (Follow the diagram printed on the motor.)

Electrical connections are made directly to the terminal block provided in the small junction box located behind the left side panel on the bottom of the frame.

## Refrigerant



In consideration of our environment, Taylor uses only earth friendly HFC refrigerants. The HFC refrigerant used in this unit is R404A. This refrigerant is generally considered non-toxic and non-flammable, with an Ozone Depleting Potential (ODP) of zero (0).

However, any gas under pressure is potentially hazardous and must be handled with caution.

NEVER fill any refrigerant cylinder completely with liquid. Filling the cylinder to approximately 80% will allow for normal expansion.



Use only R404A refrigerant that conforms to the AHRI standard 700 specification. The use of any other refrigerant may expose users and operators to unexpected safety hazards.



Refrigerant liquid sprayed onto the skin may cause serious damage to tissue. Keep eyes and skin protected. If refrigerant burns should occur, flush immediately with cold water. If burns are severe, apply ice packs and contact a physician immediately.



Taylor reminds technicians to be cautious of government laws regarding refrigerant recovery, recycling, and reclaiming systems. If you have any questions regarding these laws, please contact the factory Service Department.



**WARNING:** R404A refrigerant used in conjunction with polyolester oils is extremely moisture absorbent. When opening a refrigeration system, the maximum time the system is open must not exceed 15 minutes. Cap all open tubing to prevent humid air or water from being absorbed by the oil.

# Section 2

# To the Operator

Your freezers have been carefully engineered and manufactured to give you dependable operation. These units, when properly operated and cared for, will produce a consistent quality product. Like all mechanical products, they will require cleaning and maintenance. A minimum amount of care and attention is necessary if the operating procedures outlined in this manual are followed closely.

This Operator's Manual should be read before operating or performing any maintenance on your equipment.

Your Taylor freezer will NOT eventually compensate and correct for any errors during the set-up or filling operations. Thus, the initial assembly and priming procedures are of extreme importance. It is strongly recommended that all personnel responsible for the equipment's operation study these procedures together in order to be properly trained and to make sure that no misunderstandings exist.

In the event you should require technical assistance, please contact your local authorized Taylor Distributor.

**Note:** Your Taylor warranty is valid only if the parts are authorized Taylor parts, purchased from the local authorized Taylor Distributor, and only if all required service work is provided by an authorized Taylor service technician. Taylor reserves the right to deny warranty claims on units or parts if non-Taylor approved parts or incorrect refrigerant were installed in the unit, system modifications were performed beyond factory recommendations, or it is determined that the failure was caused by abuse, misuse, neglect, or failure to follow all operating instructions. For full details of your Taylor Warranty, please see the Limited Warranty section in this manual.

**Note: Constant research results in steady improvements; therefore, information in this manual is subject to change without notice.**



If the crossed out wheeled bin symbol is affixed to this product, it signifies that this product is compliant with the EU Directive as well as other similar legislation in effect after August 13, 2005. Therefore, it must be collected separately after its

use is completed, and cannot be disposed as unsorted municipal waste.

The user is responsible for returning the product to the appropriate collection facility, as specified by your local code.

For additional information regarding applicable local laws, please contact the municipal facility and/or local distributor.

## Compressor Warranty Disclaimer

The refrigeration compressor(s) on this unit are warranted for the term stated in the Limited Warranty section in this manual. However, due to the Montreal Protocol and the U.S. Clean Air Act Amendments of 1990, many new refrigerants are being tested and developed, thus seeking their way into the service industry. Some of these new refrigerants are being advertised as drop-in replacements for numerous applications. It should be noted that in the event of ordinary service to this unit's refrigeration system, **only the refrigerant specified on the affixed data label should be used.** The unauthorized use of alternate refrigerants will void your Taylor compressor warranty. It is the unit owner's responsibility to make this fact known to any technician he employs.

It should also be noted that Taylor does not warrant the refrigerant used in its equipment. For example, if the refrigerant is lost during the course of ordinary service to this machine, Taylor has no obligation to either supply or provide its replacement either at billable or unbillable terms. Taylor does have the obligation to recommend a suitable replacement if the original refrigerant is banned, obsoleted, or no longer available during the five year warranty of the compressor.

Taylor will continue to monitor the industry and test new alternates as they are being developed. Should a new alternate prove, through our testing, that it would be accepted as a drop-in replacement, then the above disclaimer would become null and void. To find out the current status of an alternate refrigerant as it relates to your compressor warranty, call the local Taylor Distributor or the Taylor Factory. Be prepared to provide the Model/Serial Number of the unit in question.



We, at Taylor Company, are concerned about the safety of the operator when he or she comes in contact with the freezer and its parts. Taylor has gone to extreme efforts to design and manufacture built-in safety features to protect both you and the service technician. As an example, warning labels have been attached to the freezer to further point out safety precautions to the operator.



**IMPORTANT - Failure to adhere to the following safety precautions may result in severe personal injury or death. Failure to comply with these warnings may damage the machine and its components. Component damage will result in part replacement expense and service repair expense.**



**DO NOT** operate the freezer without reading this Operator's Manual. Failure to follow this instruction may result in equipment damage, poor freezer performance, health hazards, or personal injury.



This unit is to be used only by trained personnel. It is not intended for use by children or people with reduced physical, sensory, or mental capabilities, or lack of experience and knowledge. Where limited equipment operation is allowed for public use, such as a self-serve application, supervision or instruction concerning the use of the appliance by a person responsible for their safety is required. Children should be supervised to ensure that they do not play with the appliance.



This unit is provided with an equipotential grounding lug that is to be properly attached to the rear of the frame by the authorized installer. The installation location is marked by the equipotential bonding symbol (5021 of IEC 60417-1) on both the removable panel and the equipment's frame.

Failure to follow these instructions may result in electrocution. Contact your local authorized Taylor Distributor for service.



- **DO NOT** operate the freezer unless it is properly grounded.
- **DO NOT** operate the freezer with larger fuses than specified on the freezer data label.
- All repairs must be performed by an authorized Taylor service technician. The main power supplies to the machine must be disconnected prior to performing any repairs.
- Cord Connected Units: Only Taylor authorized service technicians may install a plug on this unit.
- Stationary appliances which are not equipped with a power cord and a plug or another device to disconnect the appliance from the power source, must have an all-pole disconnecting device with a contact gap of at least 3 mm installed in the external installation.
- Appliances that are permanently connected to fixed wiring and for which leakage currents may exceed 10 mA, particularly when disconnected or not used for long periods, or during initial installation, shall have protective devices, such as a GFI, to protect against the leakage of current, installed by authorized personnel to the local codes.
- Supply cords used with this unit shall be oil-resistant, sheathed flexible cable not lighter than ordinary polychloroprene or other equivalent synthetic elastomer-sheathed cord (Code designation 60245 IEC 57) installed with the proper cord anchorage to relieve conductors from strain, including twisting, at the terminals and protect the insulation of the conductors from abrasion.

If the supply cord is damaged, it must be replaced by an authorized Taylor service technician in order to avoid a hazard.

Failure to follow these instructions may result in electrocution. Contact your local authorized Taylor Distributor for service.



**DO NOT** use a water jet to clean or rinse the freezer. Failure to follow these instructions may result in serious electrical shock.



- **DO NOT** allow untrained personnel to operate this machine.
- **DO NOT** operate the freezer unless all service panels and access doors are restrained with screws.
- **DO NOT** remove any internal operating parts (examples: freezer door, beater, scraper blades, etc.) unless all control switches are in the OFF position.

Failure to follow these instructions may result in severe personal injury to fingers or hands from hazardous moving parts.



This unit has many sharp edges that can cause severe injuries.

- **DO NOT** put objects or fingers in the door spout. This may contaminate the product and cause severe personal injury from blade contact.
- **USE EXTREME CAUTION** when removing the beater assembly. The scraper blades are very sharp.



This unit must be placed on a level surface. Extreme care should be taken when moving the unit for any reason. Two or more persons are required to safely move this unit. Failure to comply may result in personal injury or damage to the unit.



**DO NOT** use a water jet to clean or rinse the freezer. Failure to follow these instructions may result in serious electrical shock.



Cleaning and sanitizing schedules are governed by your state or local regulatory agencies and must be followed accordingly. Please refer to the cleaning section of this manual for the proper procedure to clean this unit.



This unit is designed to maintain product temperature under 41°F (5°C). Any product being added to this unit must be below 41°F (5°C). Failure to follow this instruction may result in health hazards and poor freezer performance.

**DO NOT** run the unit without product. Failure to follow this instruction can result in damage to the unit.

**DO NOT** obstruct air intake and discharge openings:

Air cooled units require a minimum of 3" (76 mm) of clearance around all sides of the freezers and 3-1/2" (89 mm) on the bottom.

Model 359 only: Installation of air deflector is required.

Failure to allow adequate clearance can reduce the refrigeration capacity of the freezers and possibly cause permanent damage to the compressors.

**For Indoor Use Only:** This unit is designed to operate indoors, under normal ambient temperatures of 70°-75°F (21°-24°C). The freezer has successfully performed in high ambient temperatures of 104°(40°C) at reduced capacities.

**NOISE LEVEL:** Airborne noise emission does not exceed 78 dB(A) when measured at a distance of 1.0 meter from the surface of the machine and at a height of 1.6 meters from the floor.

# Section 4

# Operator Parts Identification

Model 358

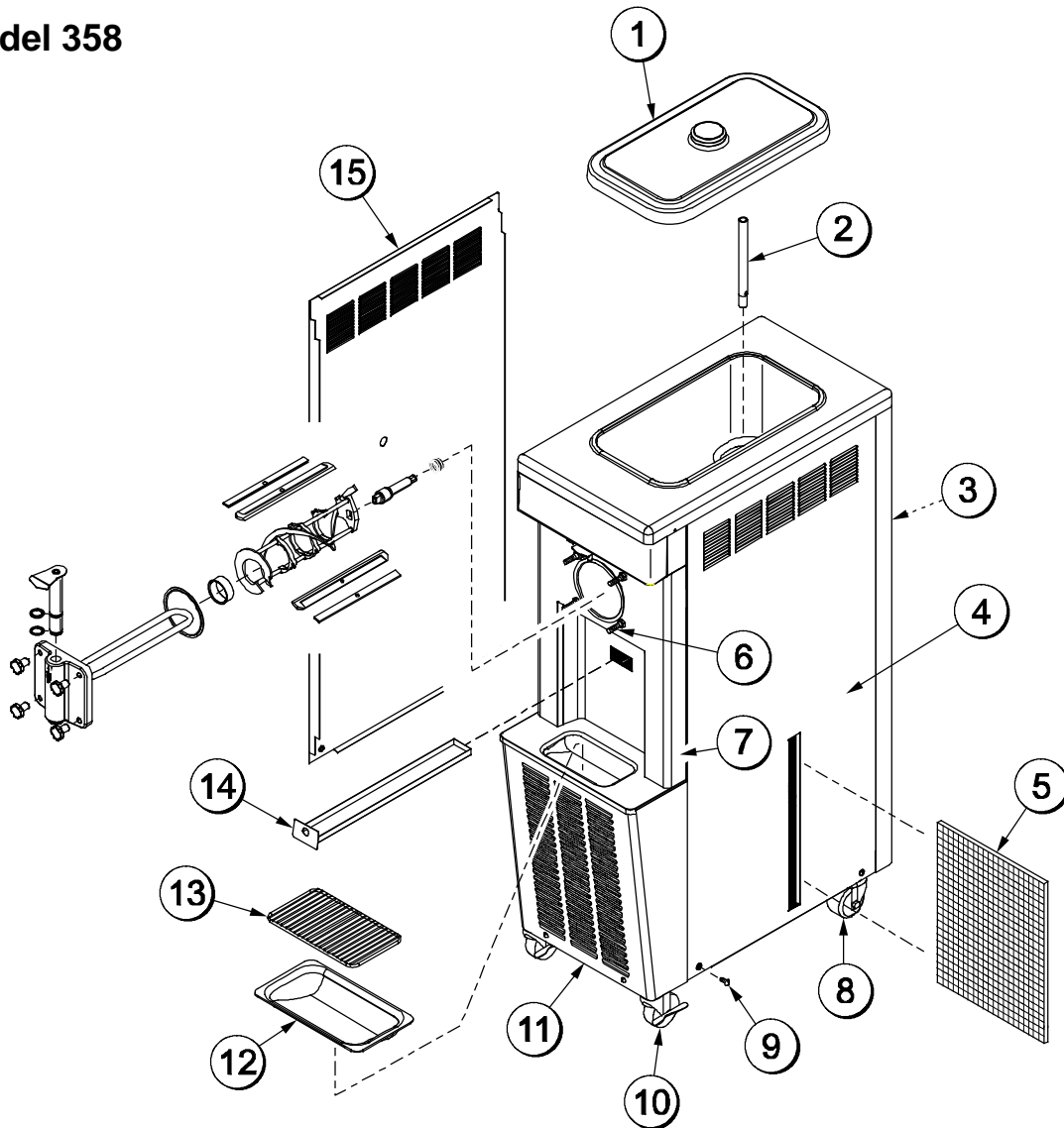


Figure 1

| ITEM | DESCRIPTION                  | PART NO.   |
|------|------------------------------|------------|
| 1    | COVER A.-HOPPER INSUL        | X51658     |
| 2    | TUBE-FEED-NONREVERS          | 015176-5   |
| 3    | PANEL-REAR                   | 046021     |
| 4    | PANEL-SIDE *358* RIGHT       | 046023-SP1 |
| 5    | FILTER A.-13 X 16-7/8 X 7/16 | 046044     |
| 6    | STUD-NOSE CONE               | 054748     |
| 7    | CHANNEL A.-CONTROL           | X63534     |
| 8    | CASTER-SWIVEL 3/4 - 10 ST.   | 021279     |

| ITEM | DESCRIPTION                | PART NO. |
|------|----------------------------|----------|
| 9    | SCREW-1/4-20 X 5/8 SLOTTED | 005542   |
| 10   | CASTER-LOCKING SWIVEL      | 030307   |
| 11   | PANEL-SERVICE              | 048267   |
| 12   | PAN A.-DRIP                | X50879   |
| 13   | SHIELD-SPLASH              | 066697   |
| 14   | TRAY-DRIP                  | 066696   |
| 15   | PANEL-SIDE *358* LEFT      | 046022   |

# Model 359

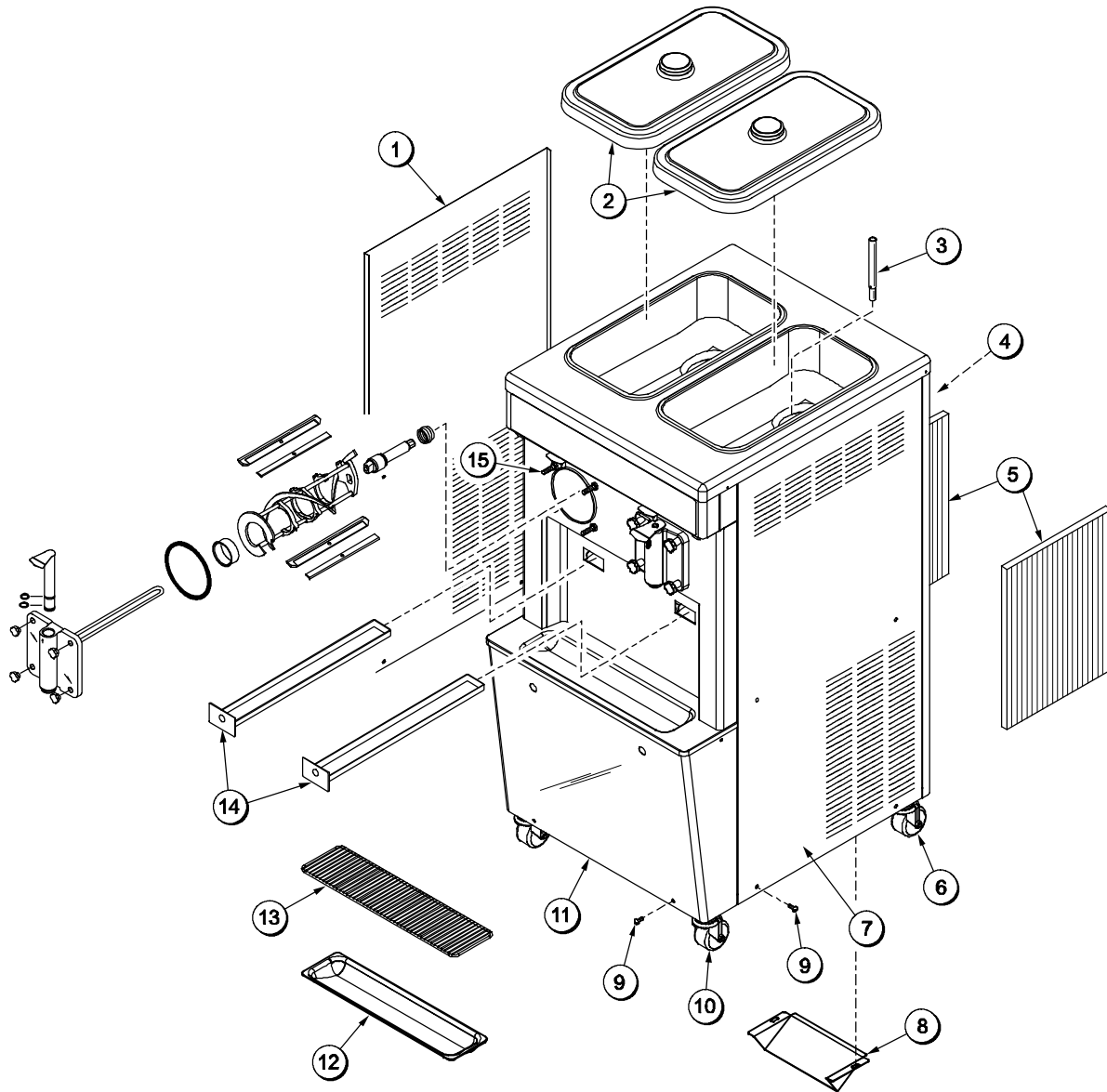


Figure 2

| ITEM | DESCRIPTION                    | PART NO. |
|------|--------------------------------|----------|
| 1    | PANEL-SIDE-LEFT                | 065250   |
| 2    | COVER ASSEMBLY-HOPPER          | X51658   |
| 3    | TUBE-FEED-NONREVERSIBLE        | 015176-5 |
| 4    | PANEL-REAR                     | 065271   |
| 5    | FILTER-AIR 18 L X 13.5 H X .70 | 052779-3 |
| 6    | CASTER-3" SWIVEL 3/4-10STM     | 021279   |
| 7    | PANEL-SIDE-RIGHT               | 065251   |
| 8    | DEFLECTOR-AIR                  | 065200   |

| ITEM | DESCRIPTION                | PART NO. |
|------|----------------------------|----------|
| 9    | SCREW-1/4-20 X 5/8 SLOTTED | 005542   |
| 10   | CASTER-3" SWV 3/4-10 LOCK  | 030307   |
| 11   | PANEL-SERVICE FRONT        | 065268   |
| 12   | TRAY-DRIP 19-5/8 L X 4-7/8 | 033812   |
| 13   | SHIELD-SPLASH-WIRE         | 033813   |
| 14   | PAN A.-DRIP                | X50879   |
| 15   | STUD-NOSE CONE             | 054748   |

# Beater and Door Assembly

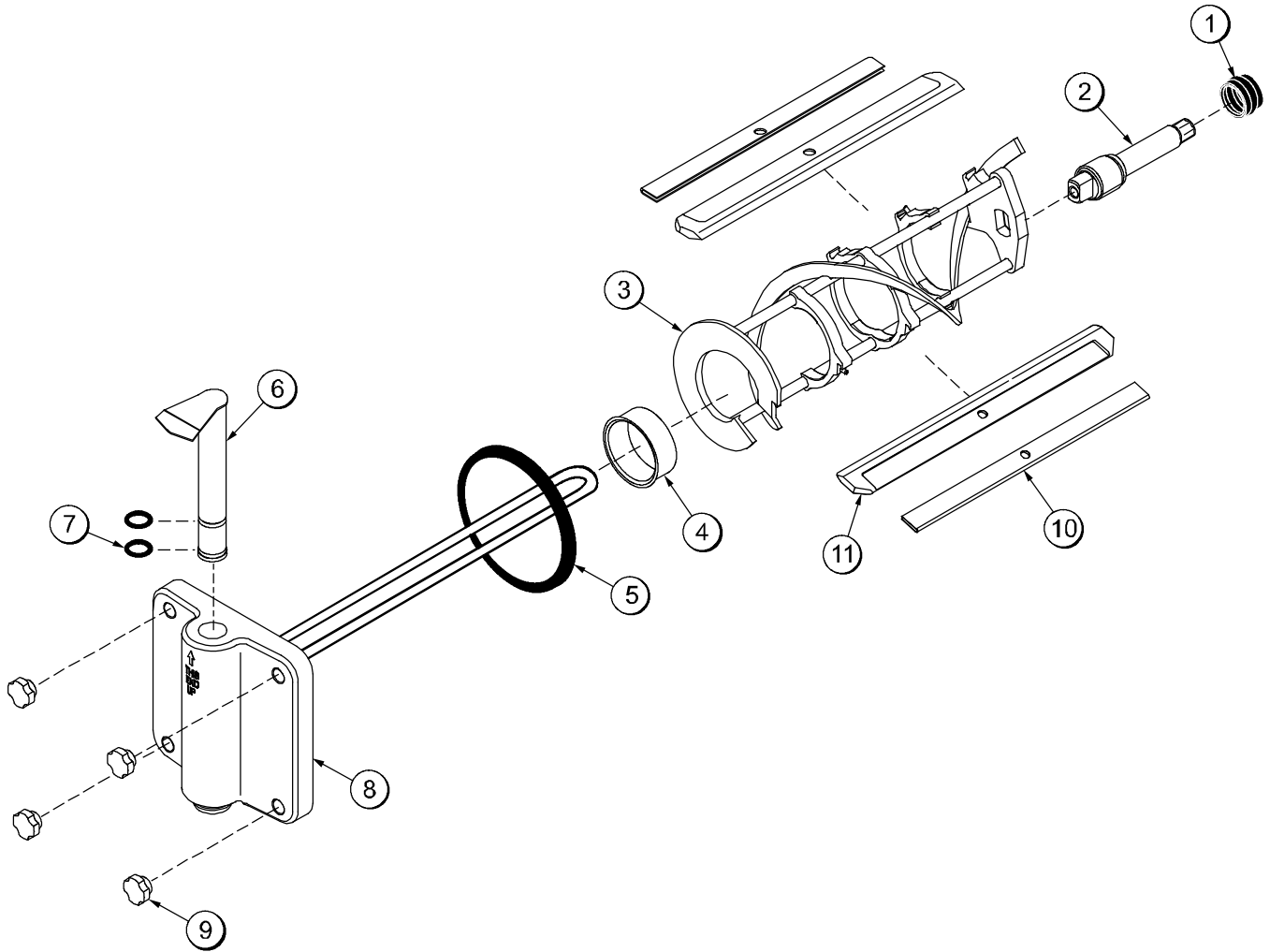


Figure 3

| ITEM | DESCRIPTION                     | PART NO. |
|------|---------------------------------|----------|
| 1    | SEAL-DRIVE SHAFT                | 032560   |
| 2    | SHAFT-BEATER                    | 033235   |
| 3    | BEATER A.-7 QT. - 1 PIN         | X46233   |
| 4    | BEARING-FRONT                   | 013116   |
| 5    | GASKET-DOOR - 5.177 ID X 5.9380 | 016672   |

| ITEM | DESCRIPTION                 | PART NO.   |
|------|-----------------------------|------------|
| 6    | VALVE A.-DRAW               | X46028     |
| 7    | O-RING - 1-1/16 OD x .139 W | 020571     |
| 8    | DOOR-PARTIAL 1 SPOUT        | X30272-SER |
| 9    | NUT-STUD                    | 021508     |
| 10   | CLIP-SCRAPER BLADE 8.75"    | 046238     |
| 11   | BLADE-SCRAPER PLASTIC       | 046237     |

# Accessories

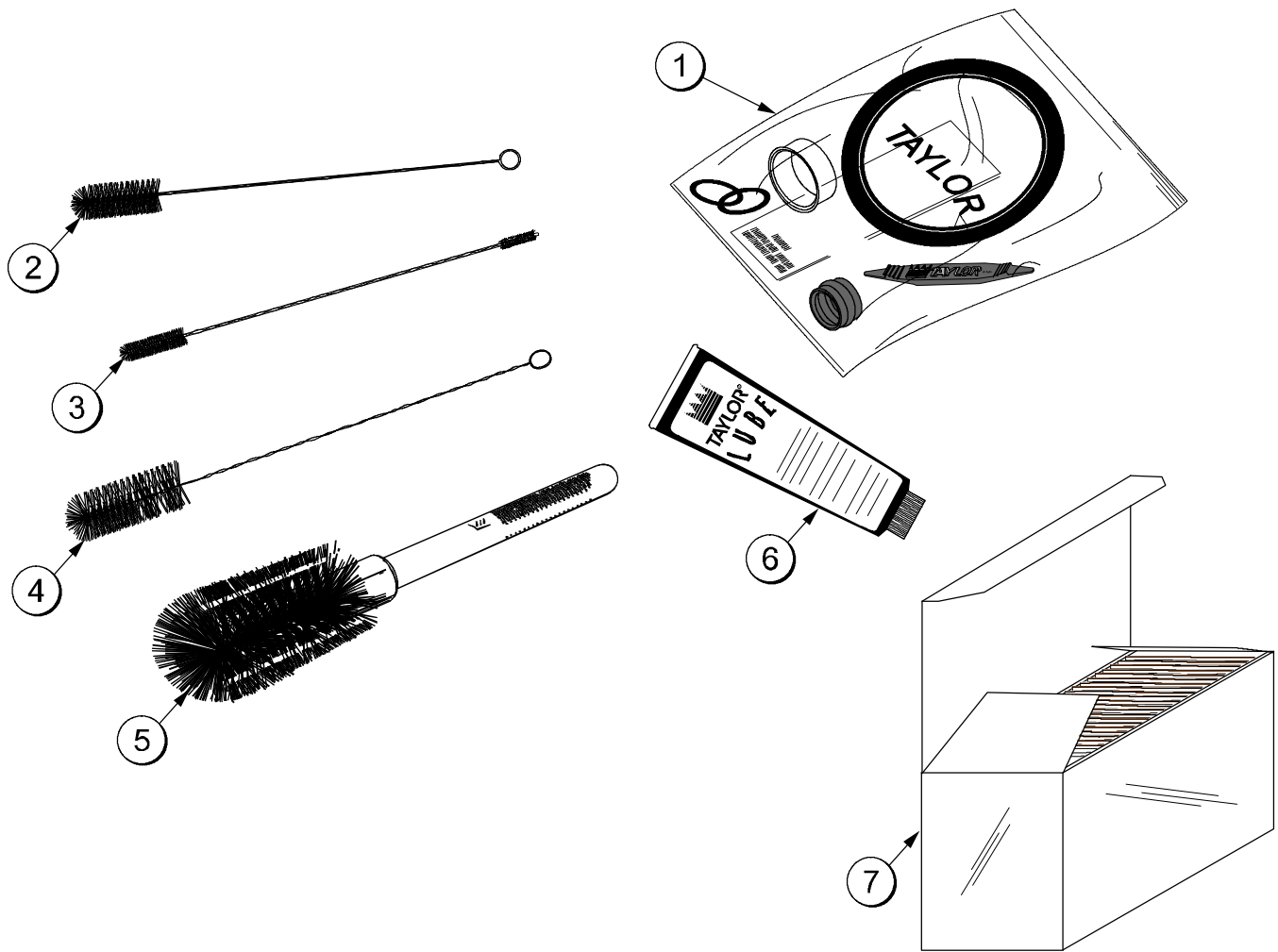


Figure 4

| ITEM | DESCRIPTION               | PART NO. |
|------|---------------------------|----------|
| 1    | KIT ASSEMBLY-TUNE UP *358 | X46050   |
|      | KIT ASSEMBLY-TUNE UP *359 | X36356   |
| 2    | BRUSH-REAR BEARING        | 013071   |
| 3    | BRUSH-DOUBLE ENDED        | 013072   |

| ITEM | DESCRIPTION            | PART NO. |
|------|------------------------|----------|
| 4    | BRUSH-DRAW VALVE       | 014753   |
| 5    | BRUSH-HOPPER 3" x 7"   | 023316   |
| 6    | LUBRICANT-TAYLOR 4 OZ. | 047518   |
| *7   | SANITIZER-STERA-SHEEN  | SEE NOTE |

**\*Note:** A sample container of sanitizer is sent with the unit. For reorders, order Stera Sheen part no. 055492 (100 packs) or Kay-5 part no. 041082 (125 packs).

# Section 5

# Important: To the Operator

**Model 358**

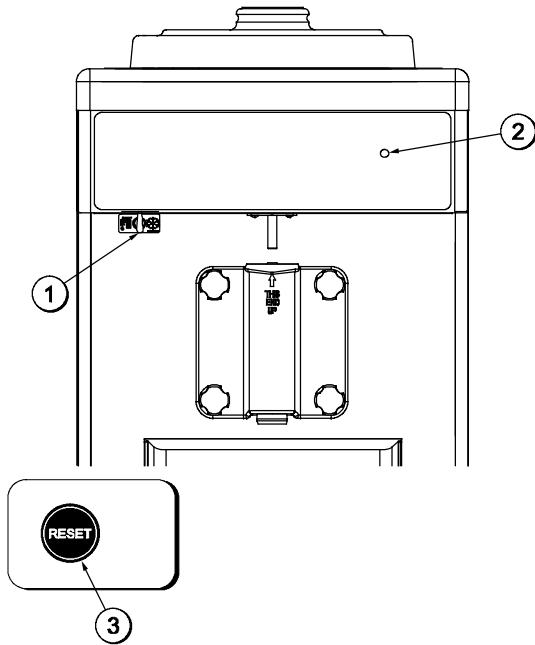


Figure 5

| ITEM | DESCRIPTION       |
|------|-------------------|
| 1    | POWER SWITCH      |
| 2    | MIX OUT INDICATOR |
| 3    | RESET BUTTON      |

**Model 359**

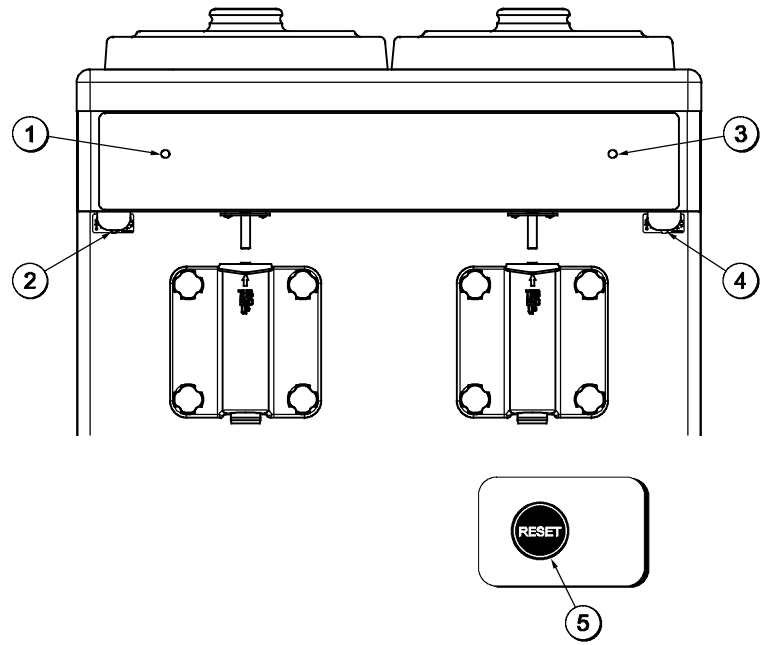


Figure 6

| ITEM | DESCRIPTION                  |
|------|------------------------------|
| 1    | MIX OUT INDICATOR-LEFT SIDE  |
| 2    | POWER SWITCH-LEFT SIDE       |
| 3    | MIX OUT INDICATOR-RIGHT SIDE |
| 4    | POWER SWITCH-RIGHT SIDE      |
| 5    | RESET BUTTON                 |

## Power Switch

The middle position is "OFF". The left position is "WASH", which activates the beater motor only. The right position is "AUTO", which activates the beater motor and the refrigeration system.

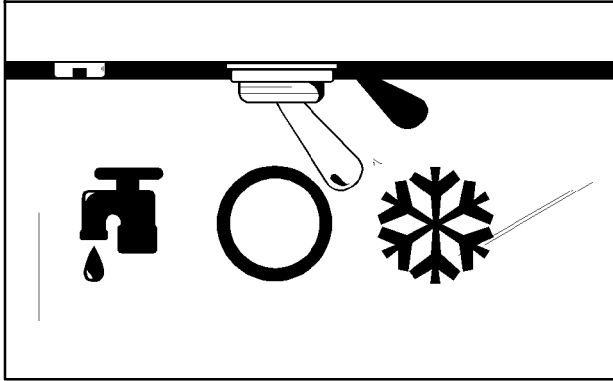


Figure 7

## Indicator Light - "Mix Out"

The "MIX OUT" light is located on the front of the machine. When the "MIX OUT" light begins to flash, the mix hopper has been almost completely exhausted and has an insufficient supply of mix to operate the freezer. Only a small amount of mix (less than 1 pint) is left in the hopper.

At this time the "AUTO" mode is locked out and the freezer shuts down, protecting the freezer from costly damage due to a freeze-up. To initiate the refrigeration system, add mix to the mix hopper. The freezer will automatically begin operation.

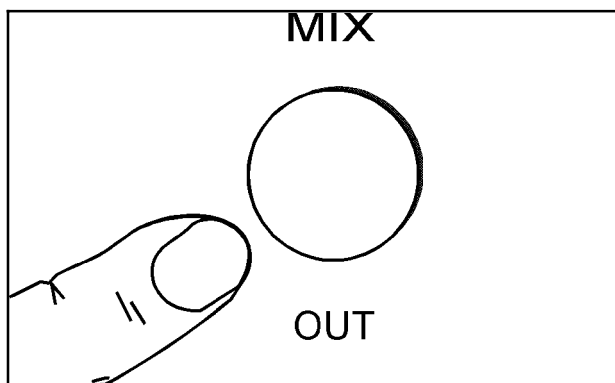


Figure 8

## Reset Button



**Note: Do not use metal objects to press the reset button.** Failure to follow this instruction may result in serious electrical shock.

The reset button is located in the left side panel on the Model 358. The reset buttons are located in the lower front panel on the Model 359. The reset mechanism protects the beater motor from an overload condition. Should an overload occur, the reset mechanism will trip.

To properly reset the freezer, place the power switch in the "OFF" position. Press the reset button firmly. Place the power switch in the "WASH" position and observe the freezer's performance. Open the side access panel to check if the beater motor is turning the drive shaft in a clockwise (from operator end) direction without binding.

If it is turning properly, place the power switch in the "AUTO" position to resume normal operation. If the freezer shuts down again, contact a service technician.

## Air Tube

The air tube is designed with a hole on one end. After priming the machine, install the air tube into the mix inlet hole with the hole end down. Every time the draw handle is raised, new mix and air from the hopper will flow down into the freezing cylinder. This will keep the freezing cylinder properly loaded and maintain overrun.

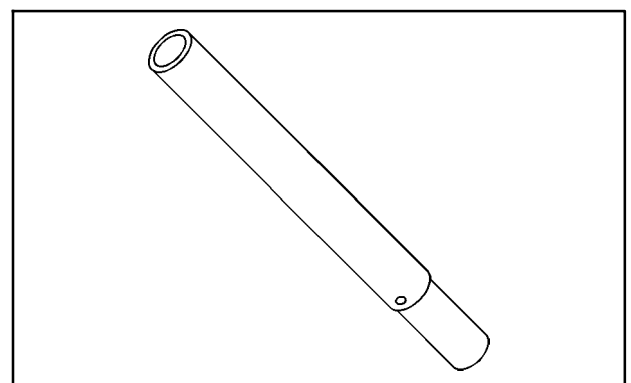


Figure 9



# Section 6

# Operating Procedures

The Model 358 has been selected to show you the pictured step-by-step operating procedures for both models contained in this manual. These models, for practical purposes of operation, are the same.

These models store 20 quarts (18.9 liters) of mix in each hopper. The mix flows by **gravity** from the hopper to the freezing cylinder through an air tube.

We begin our instructions at the point where we enter the store in the morning and find the parts disassembled and laid out to air dry from the previous night's cleaning.

These opening procedures will show you how to assemble these parts into the freezer, sanitize them, and prime the freezer with fresh mix in preparation to serve your first portion.

If you are disassembling the machine for the first time or need information to get to this starting point in our instructions, turn to page 19 "Disassembly", and start there.

## Assembly

**Note:** When lubricating parts, use an approved food grade lubricant (example: Taylor Lube).



**MAKE SURE THE POWER SWITCH IS IN THE "OFF" POSITION.** Failure to do so may cause injury from hazardous moving parts, or electrocution.

### Step 1

Lubricate the groove and shaft portion that comes in contact with the bearing on the beater drive shaft. Slide the seal over the shaft and groove until it snaps into place. **DO NOT** lubricate the hex end of the drive shaft. Fill the inside portion of the seal with 1/4" more lubricant and lubricate the flat side of the seal that fits onto the rear shell bearing.

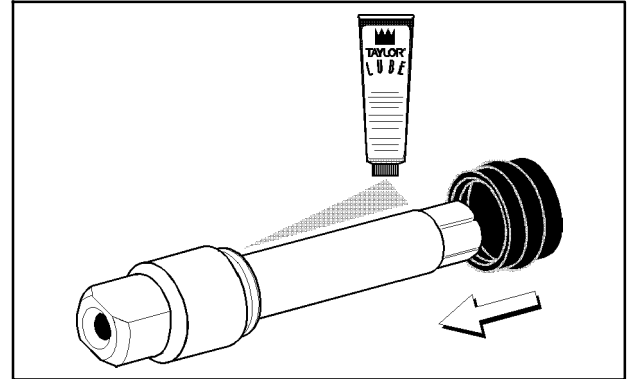


Figure 10

### Step 2

Install the drive shaft into the freezing cylinder, hex end first, and into the rear shell bearing until the seal fits securely over the rear shell bearing. Engage the hex end firmly into the drive coupling. Be sure the drive shaft fits into the drive coupling without binding.

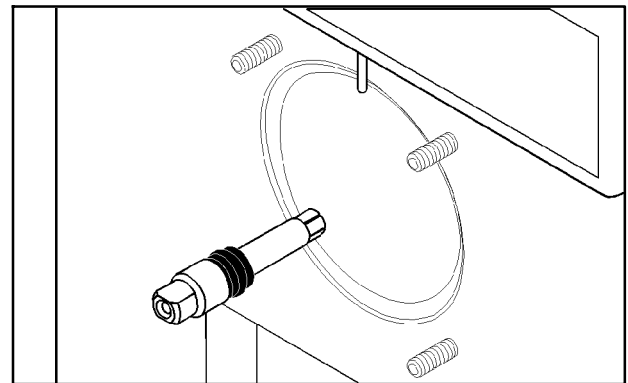


Figure 11

### Step 3

Check the scraper blades for any nicks or signs of wear. If any nicks are present, replace both blades. If the blades are in good condition, install the scraper blade clips on the scraper blades. Place the rear scraper blade over the rear holding pin on the beater assembly.

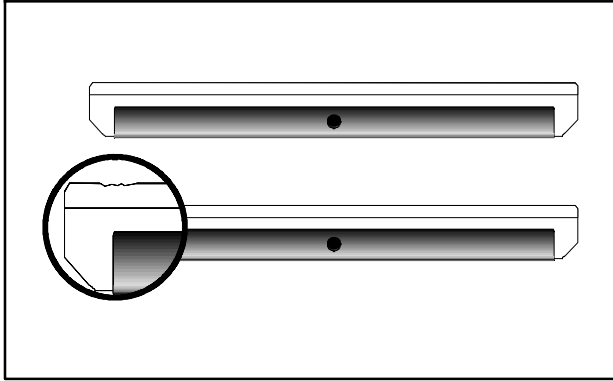


Figure 12

**Note:** The hole on the scraper blade must fit securely over the pin to prevent costly damage.

### Step 4

Holding the rear blade on the beater, slide the beater halfway into the freezing cylinder. Install the front scraper blade over the front holding pin. Slide the beater assembly the rest of the way into the freezing cylinder.

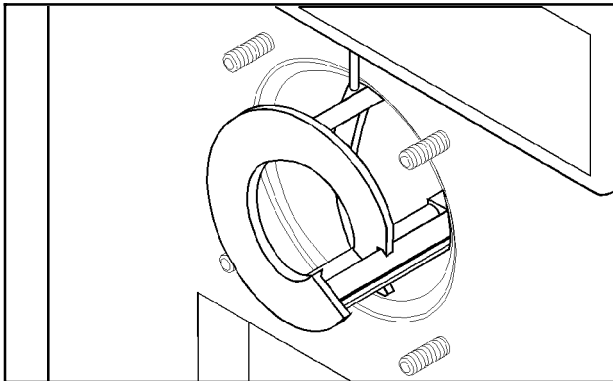


Figure 13

### Step 5

Make sure the beater assembly is in position over the drive shaft. Turn the beater slightly to be certain the beater is properly seated. When in position, the beater will not protrude beyond the front of the freezing cylinder.

### Step 6

Slide the two o-rings into the grooves on the draw valve and lubricate.

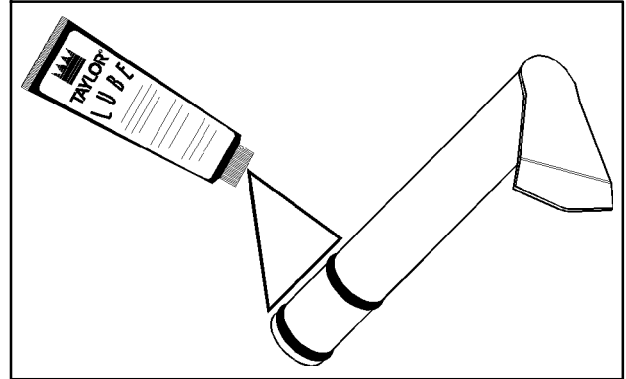


Figure 14

### Step 7

Lubricate the inside of the freezer door spout, top and bottom, and insert the draw valve into the freezer door from the top ("THIS END UP").

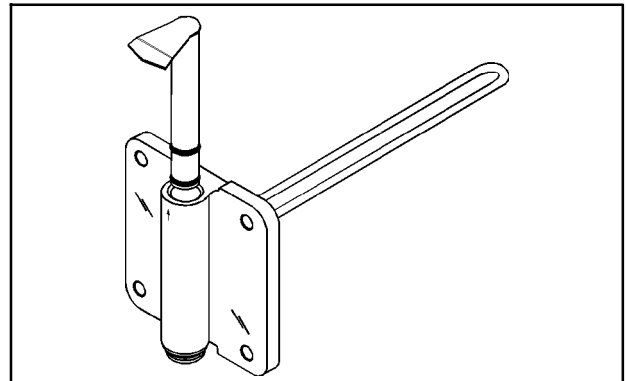


Figure 15

**Step 8**

Place the freezer door gasket into the groove on the back of the freezer door. Slide the white plastic front bearing over the baffle rod onto the bearing hub, making certain the flanged end of the bearing is resting against the freezer door. **DO NOT LUBRICATE THE GASKET OR THE FRONT BEARING.**

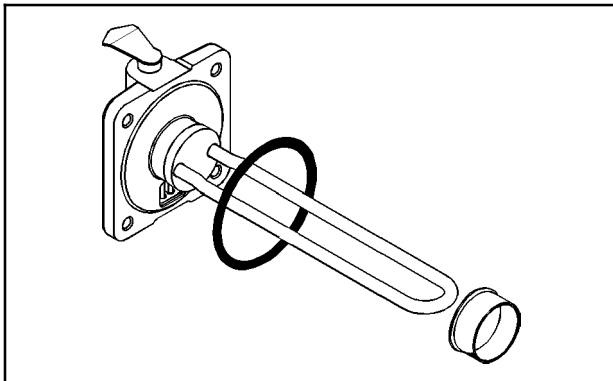


Figure 16

**Step 9**

Insert the baffle rod through the opening in the beater and set the door flush with the freezing cylinder. With the door seated on the freezer studs, install the handscrews. Tighten the handscrews equally in a criss-cross pattern to insure the door is snug.

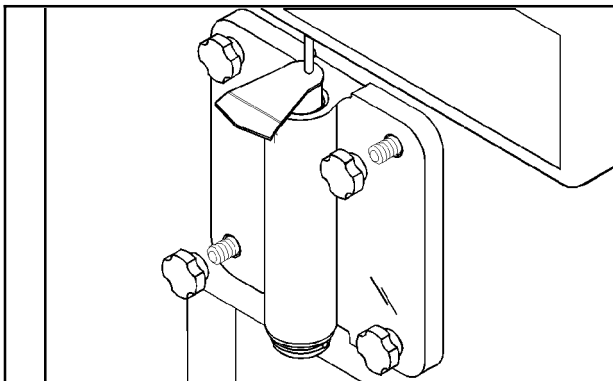


Figure 17

**Step 10**

Lay the air tube in the bottom of the mix hopper for sanitizing.

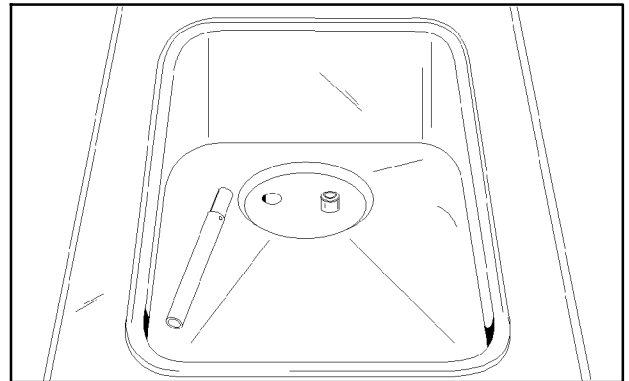


Figure 18

**Step 11**

Slide the drive shaft drip pan into the hole in the front panel.

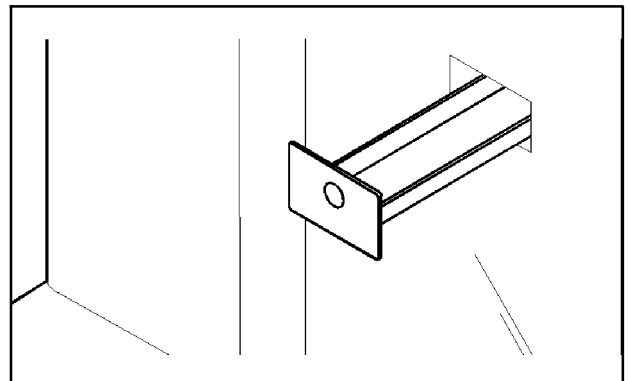


Figure 19

**Repeat Steps 1 through 11** for the other side of the freezer on the Model 359.

**Step 12**

Install the front drip tray and splash shield under the door spout.

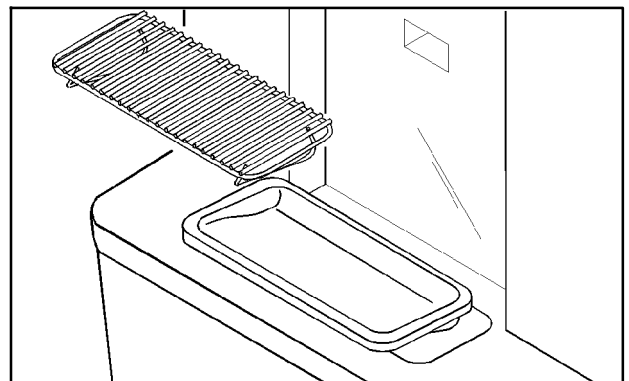


Figure 20

## Sanitizing

### Step 1

Prepare an approved 100 PPM sanitizing solution (examples: 2-1/2 gal. [9.5 liters] of Kay-5® or 2 gal. [7.6 liters] of Stera-Sheen®). **USE WARM WATER AND FOLLOW THE MANUFACTURER'S SPECIFICATIONS.**

### Step 2

Pour the sanitizing solution into the hopper and allow it to flow into the freezing cylinder.

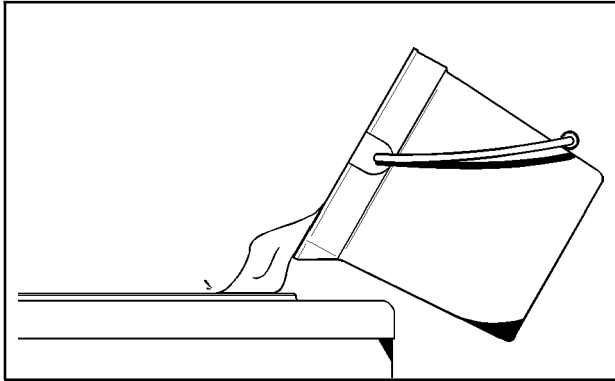


Figure 21

### Step 3

While the solution is flowing into the freezing cylinder, brush clean the mix hopper. In cleaning the hopper, take particular care in brushing the mix level sensing probe, the mix inlet hole and the air tube.

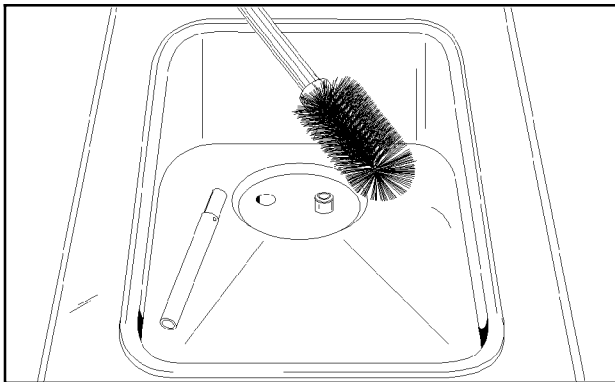


Figure 22

### Step 4

Place the power switch in the "WASH" position. This will cause the sanitizing solution in the freezing cylinder to be agitated. Allow it to agitate for five minutes.

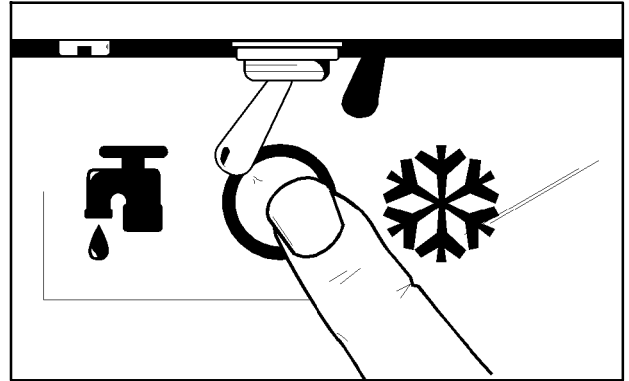


Figure 23

### Step 5

Place an empty pail beneath the door spout and raise the draw handle. Draw off all the sanitizing solution. When the sanitizer stops flowing from the door spout, lower the draw handle and place the power switch in the "OFF" position.

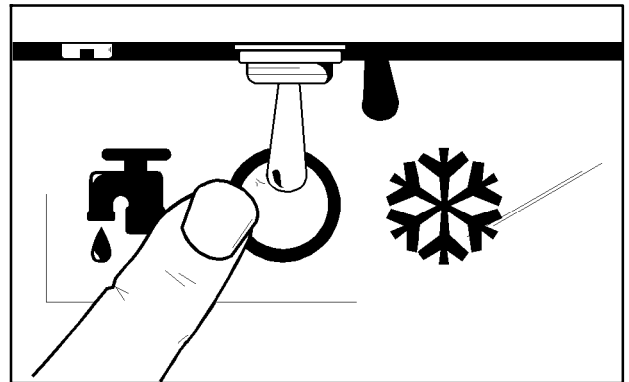


Figure 24



**Note:** You have just sanitized the freezer. **Be sure your hands are sanitized** before going on in these instructions.

### Step 6

Stand the air tube in the corner of the mix hopper.

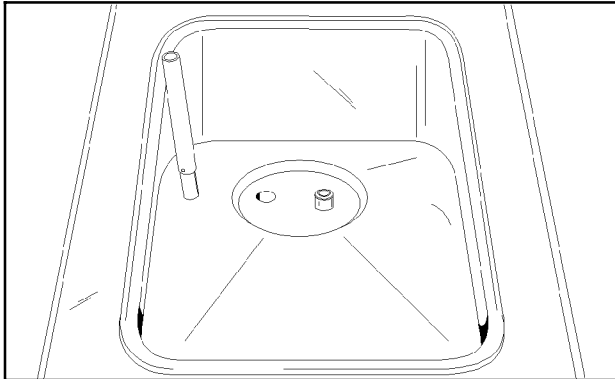


Figure 25

Repeat Steps 1 through 6 for the other side of the freezer on the Model 359.

## Priming

### Step 1

With a pail beneath the door spout, raise the draw handle. Pour **two** gallons (7.6 liters) of **fresh** mix into the mix hopper and allow it to flow into the freezing cylinder. This will force out any remaining sanitizing solution. When full strength mix is flowing from the door spout, lower the draw handle.

**Note:** Use only **fresh** mix when priming the freezer.

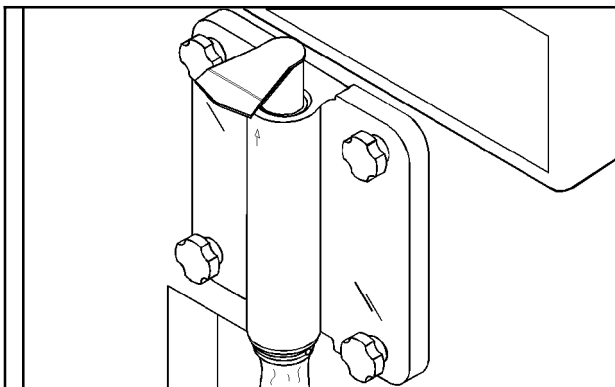


Figure 26

### Step 2

When the mix stops bubbling down into the freezing cylinder, install the air tube in the mix inlet hole.

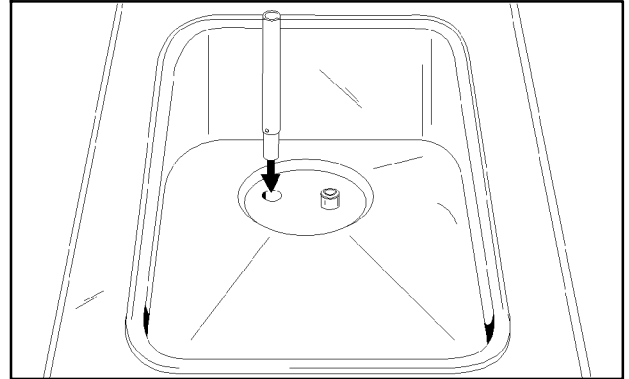


Figure 27

### Step 3

Place the power switch in the "AUTO" position. Raise the draw switch to activate the refrigeration system. When the unit cycles off, the product will be at serving viscosity.

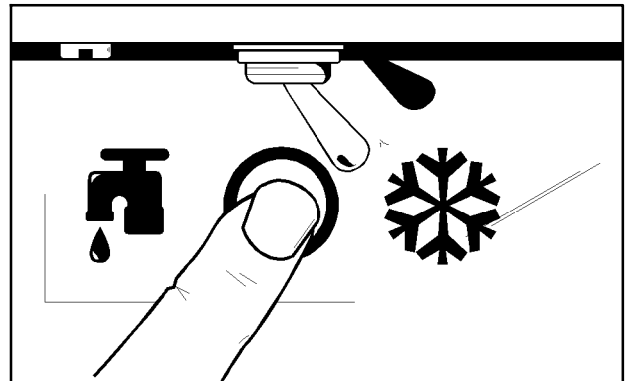


Figure 28

### Step 4

Fill the hopper with fresh mix.

### Step 5

Place the mix hopper cover in position over the mix hopper.

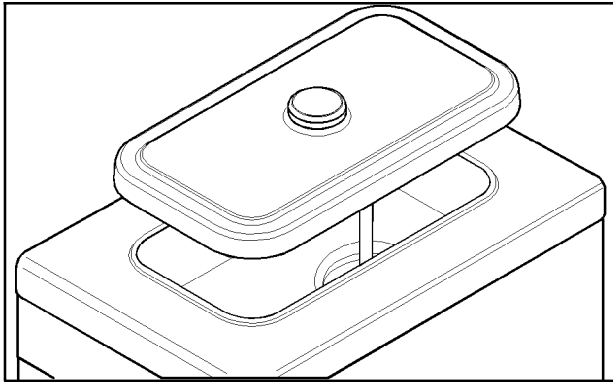


Figure 29

Repeat Steps 1 through 5 for the other side of the freezer on the Model 359.

## Closing Procedure

To disassemble your unit, the following items will be needed:

- Two cleaning pails
- Sanitized NSF approved stainless steel rerun can(s) with lid(s)
- Necessary brushes (provided with freezer)
- Cleaner
- Single service towels

## Draining Product From the Freezing Cylinder

### Step 1

Remove the hopper cover and the air tube. Take them to the sink for cleaning.

### Step 2

If local health codes permit the use of rerun, place a sanitized, NSF approved stainless steel rerun container beneath the door spout. Place the power switch in the "WASH" position. Raise the draw handle and drain the remaining product from the freezing cylinder and the mix hopper. When the flow of product stops, place the power switch in the "OFF" position and lower the draw handle. Place a sanitized lid on the rerun container and place it in the walk-in cooler.

**Note:** For additional information regarding the proper use of rerun, see item 5 on page 21.

**Note:** If local health codes DO NOT permit the use of rerun, the product must be discarded. Follow the instructions in the previous step, except drain the product into a pail and properly discard the mix.



**ALWAYS FOLLOW LOCAL HEALTH CODES.**

Repeat Steps 1 through 2 for the other side of the freezer on the Model 359.

## Rinsing

### Step 1

Pour two gallons (7.6 liters) of **cool** clean water into the mix hopper. With the brushes provided, scrub the mix hopper, the mix level sensing probe and the mix inlet hole.

### Step 2

With a pail beneath the door spout, place the power switch in the "WASH" position and raise the draw handle. Drain all the rinse water from the freezing cylinder and the mix hopper. When the rinse water stops flowing from the door spout, lower the draw handle and place the power switch in the "OFF" position.

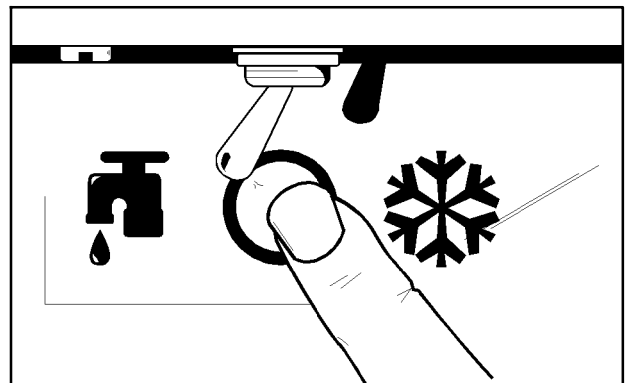


Figure 30

Repeat these procedures until the rinse water being drawn from the freezing cylinder is clear.

Repeat Steps 1 through 2 for the other side of the freezer on the Model 359.

## Cleaning

### Step 1

Prepare an approved 100 PPM cleaning solution (examples: 2-1/2 gal. [9.5 liters] of Kay-5® or 2 gal. [7.6 liters] of Stera-Sheen®). USE WARM WATER AND FOLLOW THE MANUFACTURER'S SPECIFICATIONS.

### Step 2

Pour the cleaning solution into the mix hopper.

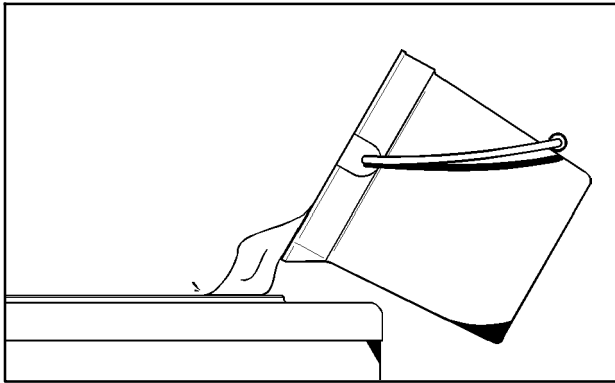


Figure 31

### Step 3

While the solution is flowing into the freezing cylinder, brush clean the mix hopper, the mix level sensing probe and the mix inlet hole.

### Step 4

Place the power switch in the "WASH" position. This will cause the cleaning solution in the freezing cylinder to be agitated.

### Step 5

Place an empty pail beneath the door spout and raise the draw handle. Draw off all the cleaning solution. When the solution stops flowing from the door spout, lower the draw handle and place the power switch in the "OFF" position.

**Repeat Steps 1 through 5** for the other side of the freezer on the Model 359.

## Disassembly



**MAKE SURE THE POWER SWITCH IS IN THE "OFF" POSITION.** Failure to do so may cause injury from hazardous moving parts or electrocution.

### Step 1

Remove the freezer door, beater, scraper blades, and the drive shaft from the freezing cylinder. Take them to the sink for cleaning.

**Repeat** for the other side of the freezer on the Model 359.

### Step 2

Remove the front drip tray and the splash shield.

## Brush Cleaning

### Step 1

Prepare a sink with an approved cleaning solution (example: Kay-5® or Stera-Sheen®). USE WARM WATER AND FOLLOW THE MANUFACTURER'S SPECIFICATIONS

**IMPORTANT:** Follow label directions, as too STRONG of a solution can cause parts damage, while too MILD of a solution will not provide adequate cleaning. Make sure all brushes provided with the freezer are available for brush cleaning.

### Step 2

Remove the seal(s) from the drive shaft(s).

### Step 3

Remove the scraper blade clips from the scraper blades.

### Step 4

From the freezer door(s) remove:

- gasket(s)
- front bearing(s)
- draw valve(s)

Remove all o-rings.

**Note:** To remove o-rings, use a single service towel to grasp the o-ring. Apply pressure in an upward direction until the o-ring pops out of its groove. With the other hand, push the top of the o-ring forward. It will roll out of the groove and can be easily removed. If there is more than one o-ring to be removed, always remove the rear o-ring first. This will allow the o-ring to slide over the forward rings without falling into the open grooves.

**Step 5**

Return to the freezer with a small amount of cleaning solution. With the black bristle brush, brush clean the rear shell bearing(s) at the back of the freezing cylinder(s).

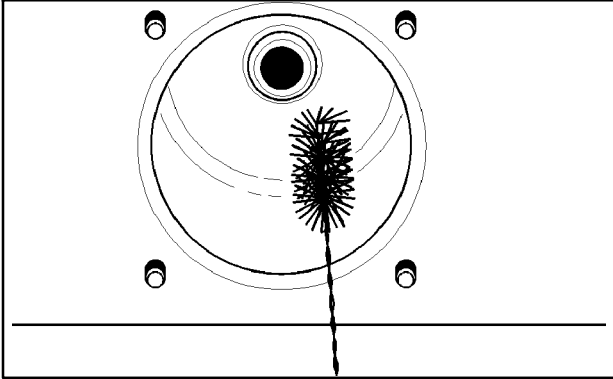


Figure 32

**Step 6**

Remove the drive shaft drip pan(s) from the front panel and take to the sink for cleaning.

**Note:** If the drive shaft drip pan is filled with an excessive amount of mix, refer to the Troubleshooting Guide.

**Step 7**

Thoroughly brush clean all disassembled parts in the cleaning solution, making sure all lubricant and mix film is removed. Take particular care to brush clean the draw valve core in the freezer door. Place all the cleaned parts on a clean dry surface to air dry overnight.

**Step 8**

Wipe clean all exterior surfaces of the freezer.



# Section 7 Important: Operator Checklist

---

## During Cleaning and Sanitizing



**ALWAYS FOLLOW LOCAL HEALTH CODES.**

**Cleaning and sanitizing schedules are governed by federal, state, or local regulatory agencies, and must be followed accordingly. If the unit has a “Standby mode”, it must not be used in lieu of proper cleaning and sanitizing procedures and frequencies set forth by the ruling health authority. The following check points should be stressed during the cleaning and sanitizing operations.**



**CLEANING AND SANITIZING MUST BE PERFORMED DAILY.**

## Troubleshooting Bacterial Count

- 1. Thoroughly clean and sanitize the machine regularly, including complete disassembly and brush cleaning.
- 2. Use all brushes supplied for thorough cleaning. The brushes are specially designed to reach all mix passageways.
- 3. Use the white bristle brush to clean the mix inlet hole which extends from the mix hopper down to the rear of the freezing cylinder.
- 4. Use the black bristle brush to thoroughly clean the rear shell bearing located at the rear of the freezing cylinder. Be sure there is a generous amount of cleaning solution on the brush.

- 5. IF LOCAL HEALTH CODES PERMIT THE USE OF RERUN, make sure the mix rerun is stored in a sanitized, covered, NSF approved stainless steel rerun container and used the following day. DO NOT prime the machine with rerun. When using rerun, skim off the foam and discard; then mix the rerun with fresh mix in a ratio of 50/50 during the day's operation.
- 6. On a designated day of the week, run the mix as low as feasible and discard after closing. This will break the rerun cycle and reduce the possibility of high bacteria and coliform counts.
- 7. Properly prepare the cleaning and sanitizing solutions. Read and follow the label directions carefully. Too strong of a solution may damage the parts and too weak of a solution will not do an adequate job of cleaning or sanitizing.
- 8. The temperature of the mix in the mix hopper and walk-in cooler should be below 40°F. (4.4°C.).

## Regular Maintenance Checks

- 1. Replace scraper blades that are nicked or damaged. Before installing the beater, be certain that the scraper blades are properly attached.
- 2. Check the rear shell bearing for signs of wear (excessive mix leakage in the drive shaft drip pan) and be certain it is properly cleaned.
- 3. Using a screwdriver and cloth towel, keep the rear shell bearing and the female hex drive socket clean and free of lubricant and mix deposits.

- 4. Dispose of o-rings and seals if they are worn, torn, or fit too loosely, and replace with new ones.
- 5. Follow all lubricating procedures as outlined in "Assembly".
- 6. If your machine is air cooled, check the condenser for accumulation of dirt and lint. Dirty condensers will reduce the efficiency and capacity of the machine. Condensers should be cleaned **monthly** with a soft brush. **Never use screwdrivers or other metal probes to clean between the fins.**

**Note:** For machines equipped with an air filter, it will be necessary to vacuum clean the filters on a monthly schedule.



**CAUTION: Always disconnect electrical power prior to cleaning the condenser. Failure to follow this instruction may result in electrocution.**

## Winter Storage

If the place of business is to be closed during the winter months, it is important to protect the freezer by following certain precautions, particularly if the building is subject to freezing conditions.

Disconnect the freezer from the main power source to prevent possible electrical damage.

On water cooled freezers, disconnect the water supply. Use air pressure to blow out any water remaining in the condensers. **This is extremely important.** Failure to follow this procedure may cause severe and costly damage to the refrigeration system.

Your local Taylor Distributor can perform this service for you.

Wrap detachable parts of the freezer such as beater, blades, drive shaft, and freezer door. Place these parts in a protected, dry place. Rubber trim parts and gaskets can be protected by wrapping them with moisture-proof paper. All parts should be thoroughly cleaned of dried mix or lubrication, which attract mice and other vermin.

# Section 8

# Troubleshooting Guide

| PROBLEM   | PROBABLE CAUSE  | REMEDY  | PAGE REF. |
|---|---|---|-----------|
| 1. No product is being dispensed with draw valve open and machine in the "AUTO" mode. | a. Beater motor is out on reset.                            | a. Reset the freezer.   | 12        |
|   | b. Circuit breaker off or blown fuse.                       | b. Turn breaker on or replace fuse.   | --        |
|   | c. Inadequate mix in the mix hopper.                        | c. Fill the mix hopper with mix.  | 17        |
|   | d. Freeze-up in mix inlet hole.                             | d. Contact an authorized service technician to adjust the mix hopper temperature. | --        |
|   | e. Beater is rotating counterclockwise (from operator end). | e. Contact an authorized service technician to correct rotation to clockwise.     | --        |
| 2. The product is too stiff.  | a. Inadequate mix in hopper.                                | a. Fill the hopper with mix.  | 17        |
|   | b. Thermistor control is set too cold.                      | b. Contact an authorized service technician.                                      | --        |
| 3. The product is too soft.   | a. Worn scraper blades.                                     | a. Replace regularly.   | 26        |
|   | b. Not enough air space is around the unit.                 | b. Allow for adequate air flow across the condenser.                              | 1         |
|   | c. Dirty condenser.   | c. Clean monthly.   | 22        |
|   | d. Out-of-date mix.   | d. Use only fresh mix.  | --        |
|   | e. Thermistor control is set too warm.                      | e. Contact an authorized service technician.                                      | --        |
| 4. The mix in the mix hopper is too cold.   | a. The temperature is out of adjustment.                    | a. Contact an authorized service technician.                                      | --        |
| 5. The mix in the mix hopper is too warm.   | a. The mix hopper cover is not in position.                 | a. Place the hopper cover in position.  | 18        |
|   | b. Warm mix was placed in the hopper.                       | b. Mix should be below 40°F (4.4°C) when placed in hopper.                        | 21        |
|   | c. The temperature is out of adjustment.                    | c. Contact an authorized service technician.                                      | --        |

| <b>PROBLEM</b>   | <b>PROBABLE CAUSE</b>   | <b>REMEDY</b>   | <b>PAGE REF.</b>                             |
|--|---|---|--|
| 6. The drive shaft is stuck in the drive coupling.         | <ul style="list-style-type: none"> <li>a. Mix and lubricant collected in the drive coupling.</li> <li>b. Rounded corners of drive shaft, coupling or both.</li> </ul>   | <ul style="list-style-type: none"> <li>a. Brush clean the rear shell bearing area regularly.</li> <li>b. Call an authorized service technician to correct the cause and replace the necessary components. Do not lubricate the hex end of the drive shaft.</li> </ul> | <p>20</p> <p>--</p>                          |
| 7. The freezing cylinder walls are scored.                 | <ul style="list-style-type: none"> <li>a. Missing or worn front bearing on freezer door.</li> <li>b. The beater assembly is bent.</li> </ul>  | <ul style="list-style-type: none"> <li>a. Install or replace the front bearing.</li> <li>b. Call an authorized service technician to repair or replace the beater and to correct the cause of insufficient mix in freezing cylinder.</li> </ul>                       | <p>15 / 26</p> <p>--</p>                     |
| 8. Excessive mix leakage into the drive shaft drip pan.    | <ul style="list-style-type: none"> <li>a. Missing or worn drive shaft seal on drive shaft.</li> <li>b. The drive shaft seal is installed inside out.</li> <li>c. Lack of lubrication.</li> <li>d. Worn rear shell bearing.</li> </ul>     | <ul style="list-style-type: none"> <li>a. Install or replace regularly.</li> <li>b. Install the seal properly.</li> <li>c. Lubricate properly.</li> <li>d. Contact an authorized service technician to replace the rear shell bearing.</li> </ul>                     | <p>13 / 26</p> <p>13</p> <p>13</p> <p>--</p> |
| 9. Excessive mix leakage from the door spout.              | <ul style="list-style-type: none"> <li>a. Missing or worn draw valve o-rings.</li> <li>b. Inadequate lubrication of draw valve o-rings.</li> <li>c. Wrong type of lubricant is being used (example: petroleum base lubricant).</li> </ul> | <ul style="list-style-type: none"> <li>a. Install or replace regularly.</li> <li>b. Lubricate properly.</li> <li>c. Use proper lubricant (example: Taylor Lube).</li> </ul>   | <p>14 / 26</p> <p>14</p> <p>13</p>           |
| 10. No freezer operation after placing the unit in "AUTO". | <ul style="list-style-type: none"> <li>a. The unit is unplugged.</li> <li>b. There is no mix in the mix hopper.</li> <li>c. Circuit breaker off or blown fuse.</li> <li>d. Beater motor out on reset.</li> </ul>                          | <ul style="list-style-type: none"> <li>a. Plug into wall receptacle.</li> <li>b. Fill the mix hopper with mix.</li> <li>c. Turn breaker on or replace fuse.</li> <li>d. Reset the freezer.</li> </ul>   | <p>--</p> <p>17</p> <p>--</p> <p>12</p>      |

| <b>PROBLEM</b>   | <b>PROBABLE CAUSE</b>   | <b>REMEDY</b>   | <b>PAGE REF.</b>  |
|--|---|---|---|
| 11. Product is not feeding into the freezing cylinder. | <ul style="list-style-type: none"> <li>a. Inadequate level of mix in the mix hopper.</li> <li>b. Mix inlet hole frozen up.</li> </ul> | <ul style="list-style-type: none"> <li>a. Fill the mix hopper with mix.</li> <li>b. Mix hopper temperature needs adjustment. Contact an authorized service technician.</li> </ul> | <p style="text-align: center;">17</p> <p style="text-align: center;">--</p> |

# Section 9

# Parts Replacement Schedule

| PART DESCRIPTION             | EVERY 3 MONTHS | EVERY 4 MONTHS | EVERY 6 MONTHS                 | ANNUALLY | 358 QTY. | 359 QTY. |
|------------------------------|----------------|----------------|--------------------------------|----------|----------|----------|
| Drive Shaft Seal             | X              |                |                                |          | 1        | 2        |
| Scraper Blade                |                | X              |                                |          | 2        | 4        |
| Freezer Door Gasket          | X              |                |                                |          | 1        | 2        |
| Front Bearing                | X              |                |                                |          | 1        | 2        |
| Draw Valve O-Ring            | X              |                |                                |          | 2        | 4        |
| Black Bristle Brush, 1" x 2" |                |                | Inspect & Replace if Necessary | Minimum  | 1        | 1        |
| Double Ended Brush           |                |                | Inspect & Replace if Necessary | Minimum  | 1        | 1        |
| White Bristle Brush, 1" x 2" |                |                | Inspect & Replace if Necessary | Minimum  | 1        | 1        |
| White Bristle Brush, 3" x 7" |                |                | Inspect & Replace if Necessary | Minimum  | 1        | 1        |

# Section 10 Limited Warranty on Equipment

## TAYLOR COMPANY LIMITED WARRANTY ON FREEZERS

Taylor Company, a division of Carrier Commercial Refrigeration, Inc. ("Taylor") is pleased to provide this limited warranty on new Taylor-branded freezer equipment available from Taylor to the market generally (the "Product") to the original purchaser only.

### LIMITED WARRANTY

Taylor warrants the Product against failure due to defect in materials or workmanship under normal use and service as follows. All warranty periods begin on the date of original Product installation. If a part fails due to defect during the applicable warranty period, Taylor, through an authorized Taylor distributor or service agency, will provide a new or re-manufactured part, at Taylor's option, to replace the failed defective part at no charge for the part. Except as otherwise stated herein, these are Taylor's exclusive obligations under this limited warranty for a Product failure. This limited warranty is subject to all provisions, conditions, limitations and exclusions listed below and on the reverse (if any) of this document.

| Product                     | Part  | Limited Warranty Period |
|-----------------------------|---|-------------------------|
| <b>Soft Serve</b>           | Insulated shell assembly  | Five (5) years          |
| <b>Frozen Yogurt Shakes</b> | Refrigeration compressor (except service valve)                                   | Five (5) years          |
| <b>Smoothies</b>            | Beater motors   | Two (2) years           |
| <b>Frozen Beverage</b>      | Beater drive gear   | Two (2) years           |
| <b>Batch Desserts</b>       | Printed circuit boards and Softech controls beginning with serial number H8024200 | Two (2) years           |
|                             | Parts not otherwise listed in this table or excluded below                        | One (1) year            |

### LIMITED WARRANTY CONDITIONS

1. If the date of original installation of the Product cannot be verified, then the limited warranty period begins ninety (90) days from the date of Product manufacture (as indicated by the Product serial number). Proof of purchase may be required at time of service.
2. This limited warranty is valid only if the Product is installed and all required service work on the Product is performed by an authorized Taylor distributor or service agency, and only if genuine, new Taylor parts are used.
3. Installation, use, care, and maintenance must be normal and in accordance with all instructions contained in the Taylor Operator's Manual.
4. Defective parts must be returned to the authorized Taylor distributor or service agency for credit.
5. The use of any refrigerant other than that specified on the Product's data label will void this limited warranty.

### LIMITED WARRANTY EXCEPTIONS

This limited warranty does **not** cover:

1. Labor or other costs incurred for diagnosing, repairing, removing, installing, shipping, servicing or handling of defective parts, replacement parts, or new Products.
2. Normal maintenance, cleaning and lubrication as outlined in the Taylor Operator's Manual, including cleaning of condensers.

3. Replacement of wear items designated as Class "000" parts in the Taylor Operator's Manual.
4. External hoses, electrical power supplies, and machine grounding.
5. Parts not supplied or designated by Taylor, or damages resulting from their use.
6. Return trips or waiting time required because a service technician is prevented from beginning warranty service work promptly upon arrival.
7. Failure, damage or repairs due to faulty installation, misapplication, abuse, no or improper servicing, unauthorized alteration or improper operation or use as indicated in the Taylor Operator's Manual, including but not limited to the failure to use proper assembly and cleaning techniques, tools, or approved cleaning supplies.
8. Failure, damage or repairs due to theft, vandalism, wind, rain, flood, high water, water, lightning, earthquake or any other natural disaster, fire, corrosive environments, insect or rodent infestation, or other casualty, accident or condition beyond the reasonable control of Taylor; operation above or below the electrical or water supply specification of the Product; or components repaired or altered in any way so as, in the judgment of the Manufacturer, to adversely affect performance, or normal wear or deterioration.
9. Any Product purchased over the Internet.
10. Failure to start due to voltage conditions, blown fuses, open circuit breakers, or damages due to the inadequacy or interruption of electrical service.
11. Electricity or fuel costs, or increases in electricity or fuel costs from any reason whatsoever.
12. Damages resulting from the use of any refrigerant other than that specified on the Product's data label will void this limited warranty.
13. Any cost to replace, refill or dispose of refrigerant, including the cost of refrigerant.
14. **ANY SPECIAL, INDIRECT OR CONSEQUENTIAL PROPERTY OR COMMERCIAL DAMAGE OF ANY NATURE WHATSOEVER.** Some jurisdictions do not allow the exclusion of incidental or consequential damages, so this limitation may not apply to you.

This limited warranty gives you specific legal rights, and you may also have other rights which vary from jurisdiction to jurisdiction.

#### **LIMITATION OF WARRANTY**

**THIS LIMITED WARRANTY IS EXCLUSIVE AND IS IN LIEU OF ALL OTHER WARRANTIES, CONDITIONS AND/OR REMEDIES UNDER THE LAW, INCLUDING ANY IMPLIED WARRANTIES OR CONDITIONS OF MERCHANTABILITY OR FITNESS FOR A PARTICULAR PURPOSE. THE ORIGINAL OWNER'S SOLE REMEDY WITH RESPECT TO ANY PRODUCTS SHALL BE REPAIR OR REPLACEMENT OF DEFECTIVE COMPONENTS UNDER THE TERMS OF THIS LIMITED WARRANTY. ALL RIGHTS TO CONSEQUENTIAL OR INCIDENTAL DAMAGES (INCLUDING CLAIMS FOR LOST SALES, LOST PROFITS, PRODUCT LOSS, PROPERTY DAMAGES OR SERVICE EXPENSES) ARE EXPRESSLY EXCLUDED. THE EXPRESS WARRANTIES MADE IN THIS LIMITED WARRANTY MAY NOT BE ALTERED, ENLARGED, OR CHANGED BY ANY DISTRIBUTOR, DEALER, OR OTHER PERSON, WHATSOEVER.**

#### **LEGAL REMEDIES**

The owner **must** notify Taylor in writing, by certified or registered letter to the following address, of any defect or complaint with the Product, stating the defect or complaint and a specific request for repair, replacement, or other correction of the Product under warranty, mailed at least thirty (30) days before pursuing any legal rights or remedies.

Taylor Company  
a division of Carrier Commercial Refrigeration, Inc.  
750 N. Blackhawk Blvd.  
Rockton, IL 61072, U.S.A.



# Section 11

# Limited Warranty on Parts

## TAYLOR COMPANY LIMITED WARRANTY ON TAYLOR GENUINE PARTS

Taylor Company, a division of Carrier Commercial Refrigeration, Inc. ("Taylor") is pleased to provide this limited warranty on new Taylor genuine replacement components and parts available from Taylor to the market generally (the "Parts") to the original purchaser only.

### LIMITED WARRANTY

Taylor warrants the Parts against failure due to defect in materials or workmanship under normal use and service as follows. All warranty periods begin on the date of original installation of the Part in the Taylor unit. If a Part fails due to defect during the applicable warranty period, Taylor, through an authorized Taylor distributor or service agency, will provide a new or re-manufactured Part, at Taylor's option, to replace the failed defective Part at no charge for the Part. Except as otherwise stated herein, these are Taylor's exclusive obligations under this limited warranty for a Part failure. This limited warranty is subject to all provisions, conditions, limitations and exclusions listed below and on the reverse (if any) of this document.

| Part's Warranty Class Code or Part            | Limited Warranty Period |
|---|-------------------------|
| Class 103 Parts <sup>1</sup>                  | Three (3) months        |
| Class 212 Parts <sup>2</sup>                  | Twelve (12) months      |
| Class 512 Parts                               | Twelve (12) months      |
| Class 000 Parts                               | No warranty             |
| Taylor Part #072454 (Motor-24VDC *C832/C842*) | Four (4) years          |

### LIMITED WARRANTY CONDITIONS

1. If the date of original installation of the Part cannot be otherwise verified, proof of purchase may be required at time of service.
2. This limited warranty is valid only if the Part is installed and all required service work in connection with the Part is performed by an authorized Taylor distributor or service agency.
3. The limited warranty applies only to Parts remaining in use by their original owner at their original installation location in the unit of original installation.
4. Installation, use, care, and maintenance must be normal and in accordance with all instructions contained in the Taylor Operator's Manual.
5. Defective Parts must be returned to the authorized Taylor distributor or service agency for credit.
6. This warranty is not intended to shorten the length of any warranty coverage provided pursuant to a separate Taylor Limited Warranty on freezer or grill equipment.
7. The use of any refrigerant other than that specified for the unit in which the Part is installed will void this limited warranty.

<sup>1, 2</sup> Except that Taylor Part #032129SER2 (Compressor-Air-230V SERV) and Taylor Part #075506SER1 (Compressor-Air-115V 60HZ) shall have a limited warranty period of twelve (12) months when used in Taylor freezer equipment and a limited warranty period of two (2) years when used in Taylor grill equipment.

## LIMITED WARRANTY EXCEPTIONS

This limited warranty does **not** cover:

1. Labor or other costs incurred for diagnosing, repairing, removing, installing, shipping, servicing or handling of defective Parts, replacement Parts, or new Parts.
2. Normal maintenance, cleaning and lubrication as outlined in the Taylor Operator's Manual, including cleaning of condensers or carbon and grease buildup.
3. Required service, whether cleaning or general repairs, to return the cooking surface assemblies, including the upper platen and lower plate, to an operational condition to achieve proper cooking or allow proper assembly of release sheets and clips as a result of grease build-up on the cooking surfaces, including but not limited to the platen and plate, sides of the shroud or top of the shroud.
4. Replacement of cooking surfaces, including the upper platen and lower plate, due to pitting or corrosion (or in the case of the upper platen, due to loss of plating) as a result of damage due to the impact of spatulas or other small wares used during the cooking process or as a result of the use of cleaners, cleaning materials or cleaning processes not approved for use by Taylor.
5. Replacement of wear items designated as Class "000" Parts in the Taylor Operator's Manual, as well as any release sheets and clips for the Product's upper platen assembly.
6. External hoses, electrical power supplies, and machine grounding.
7. Parts not supplied or designated by Taylor, or damages resulting from their use.
8. Return trips or waiting time required because a service technician is prevented from beginning warranty service work promptly upon arrival.
9. Failure, damage or repairs due to faulty installation, misapplication, abuse, no or improper servicing, unauthorized alteration or improper operation or use as indicated in the Taylor Operator's Manual, including but not limited to the failure to use proper assembly and cleaning techniques, tools, or approved cleaning supplies.
10. Failure, damage or repairs due to theft, vandalism, wind, rain, flood, high water, water, lightning, earthquake or any other natural disaster, fire, corrosive environments, insect or rodent infestation, or other casualty, accident or condition beyond the reasonable control of Taylor; operation above or below the gas, electrical or water supply specification of the unit in which a part is installed; or Parts or the units in which they are installed repaired or altered in any way so as, in the judgment of Taylor, to adversely affect performance, or normal wear or deterioration.
11. Any Part purchased over the Internet.
12. Failure to start due to voltage conditions, blown fuses, open circuit breakers, or damages due to the inadequacy or interruption of electrical service.
13. Electricity, gas or other fuel costs, or increases in electricity or fuel costs from any reason whatsoever.
14. Damages resulting from the use of any refrigerant other than that specified for the unit in which the Part is installed will void this limited warranty.
15. Any cost to replace, refill or dispose of refrigerant, including the cost of refrigerant.
16. **ANY SPECIAL, INDIRECT OR CONSEQUENTIAL PROPERTY OR COMMERCIAL DAMAGE OF ANY NATURE WHATSOEVER.** Some jurisdictions do not allow the exclusion of incidental or consequential damages, so this limitation may not apply to you.

This limited warranty gives you specific legal rights, and you may also have other rights which vary from jurisdiction to jurisdiction.

### LIMITATION OF WARRANTY

**THIS LIMITED WARRANTY IS EXCLUSIVE AND IS IN LIEU OF ALL OTHER WARRANTIES, CONDITIONS AND/OR REMEDIES UNDER THE LAW, INCLUDING ANY IMPLIED WARRANTIES OR CONDITIONS OF MERCHANTABILITY OR FITNESS FOR A PARTICULAR PURPOSE. THE ORIGINAL OWNER'S SOLE REMEDY WITH RESPECT TO ANY PRODUCTS SHALL BE REPAIR OR REPLACEMENT OF DEFECTIVE PARTS UNDER THE TERMS OF THIS LIMITED WARRANTY. ALL RIGHTS TO CONSEQUENTIAL OR INCIDENTAL DAMAGES (INCLUDING CLAIMS FOR LOST SALES, LOST PROFITS, PRODUCT LOSS, PROPERTY DAMAGES OR SERVICE EXPENSES) ARE EXPRESSLY EXCLUDED. THE EXPRESS WARRANTIES MADE IN THIS LIMITED WARRANTY MAY NOT BE ALTERED, ENLARGED, OR CHANGED BY ANY DISTRIBUTOR, DEALER, OR OTHER PERSON, WHATSOEVER.**

### LEGAL REMEDIES

The owner **must** notify Taylor in writing, by certified or registered letter to the following address, of any defect or complaint with the Part, stating the defect or complaint and a specific request for repair, replacement, or other correction of the Part under warranty, mailed at least thirty (30) days before pursuing any legal rights or remedies.

Taylor Company  
a division of Carrier Commercial Refrigeration, Inc.  
750 N. Blackhawk Blvd.  
Rockton, IL 61072, U.S.A.

|  |                                       |
|--|---------------------------------------|
|  | GROUND FOR HIGH VOLTAGE COMPONENTS    |
|  | THERMISTER                            |
|  | THERMAL OVERLOAD                      |
|  | BEATER MOTOR                          |
|  | OVERLOAD SWITCH                       |
|  | COMPRESSOR HIGH PRESSURE LIMIT SWITCH |
|  | CAPACITOR                             |

**SYMBOL TABLE**

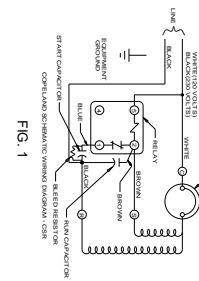
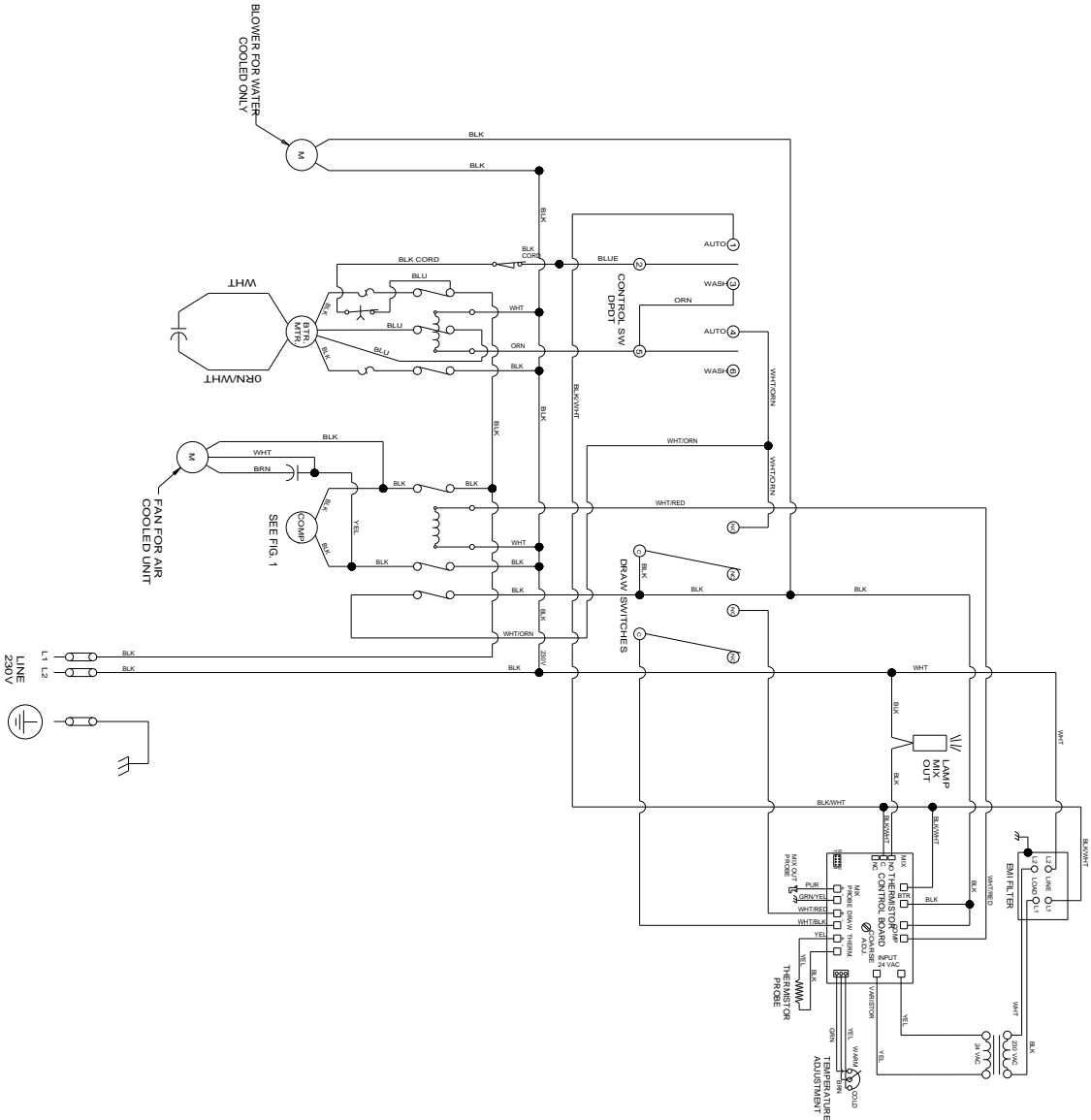
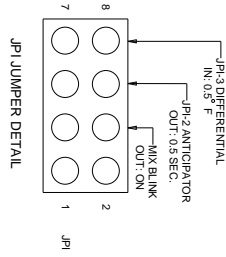
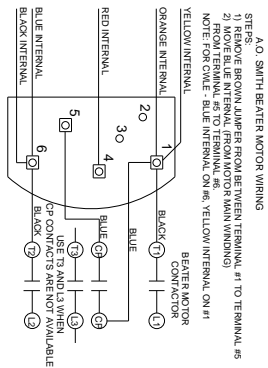


FIG. 1



GERBAC BEATER MOTOR WIRING

NOTE: FOR COME - BLUE INTERNAL ON #1, YELLOW INTERNAL ON #2

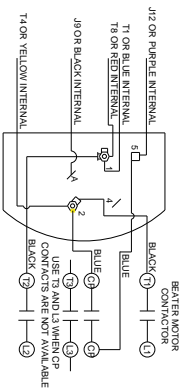
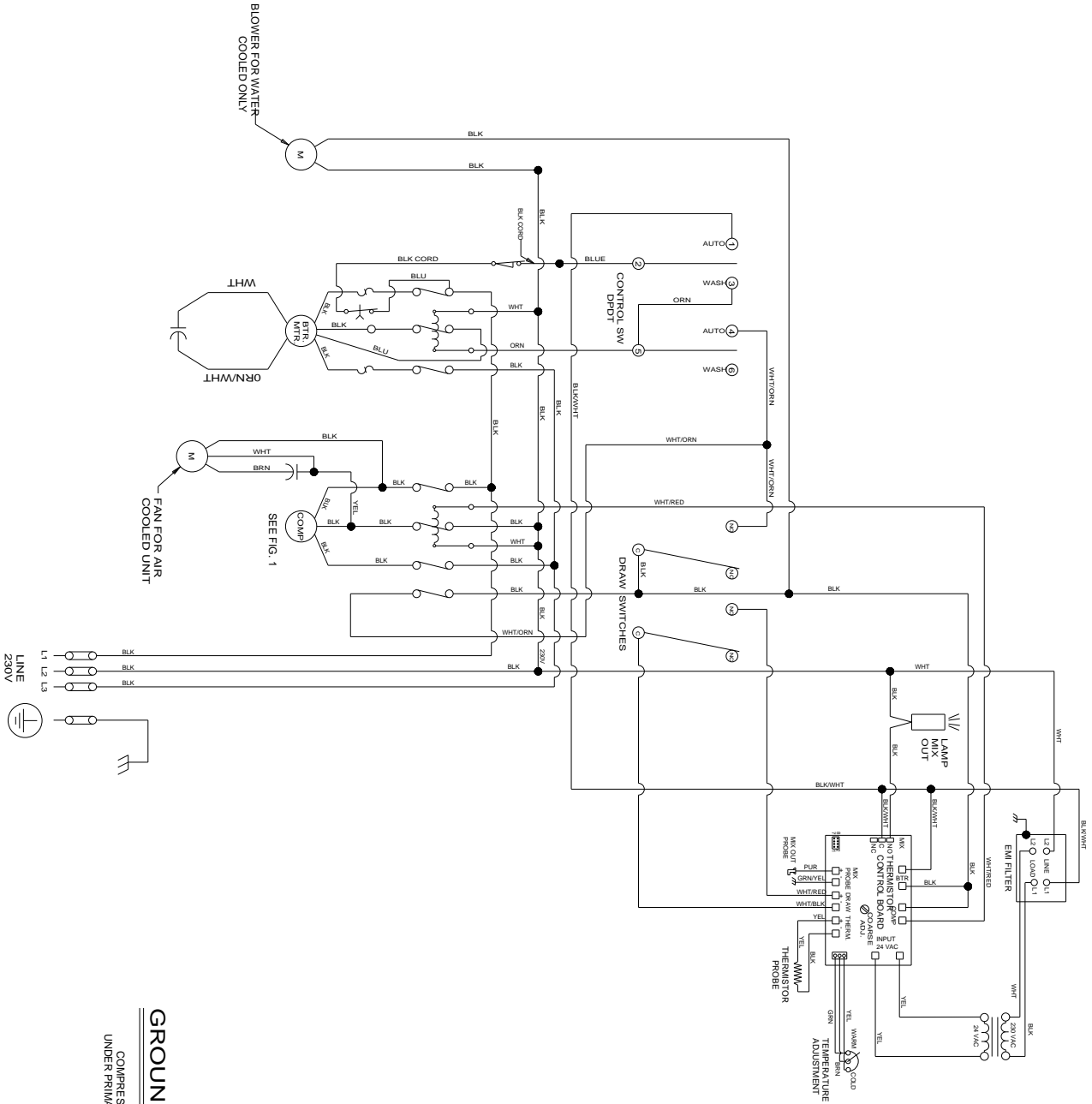
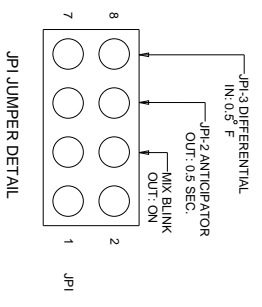


FIG. 2

**GROUND FRAME SECURELY**

|  |                                       |
|--|---------------------------------------|
|  | GROUND FOR HIGH VOLTAGE COMPONENTS    |
|  | THERMISTER                            |
|  | THERMAL PROBE                         |
|  | BEATER MOTOR OVERLOAD SWITCH          |
|  | COMPRESSOR HIGH PRESSURE LIMIT SWITCH |
|  | CAPACITOR                             |

**SYMBOL TABLE**



**GROUND FRAME SECURELY**  
 COMPRESSOR AND BEATER PROTECTED  
 UNDER PRIMARY SINGLE PHASING CONDITIONS



## Free Manuals Download Website

<http://myh66.com>

<http://usermanuals.us>

<http://www.somanuals.com>

<http://www.4manuals.cc>

<http://www.manual-lib.com>

<http://www.404manual.com>

<http://www.luxmanual.com>

<http://aubethermostatmanual.com>

Golf course search by state

<http://golfingnear.com>

Email search by domain

<http://emailbydomain.com>

Auto manuals search

<http://auto.somanuals.com>

TV manuals search

<http://tv.somanuals.com>