

**Model 811, 813, 819, 821 Series**

# **Auto Lift Gas Grills**

**Original Operating Instructions**

**073625-M**



**TAYLOR<sup>®</sup>**  
9/15/10 (Original Publication)  
(Updated 4/19/13)

**Complete this page for quick reference when service is required:**

Taylor Distributor: \_\_\_\_\_

Address: \_\_\_\_\_

Phone: \_\_\_\_\_

Service: \_\_\_\_\_

Parts: \_\_\_\_\_

Date of Installation: \_\_\_\_\_

**Information found on data plate:**

Model Number: \_\_\_\_\_

Serial Number: \_\_\_\_\_

Electrical Specs: Voltage \_\_\_\_\_ Cycle \_\_\_\_\_

Phase \_\_\_\_\_

Maximum Fuse Size: \_\_\_\_\_ Amps

Minimum Wire Ampacity: \_\_\_\_\_ Amps

Part Number: \_\_\_\_\_

© September, 2010 Taylor  
All rights reserved.  
073625-M



*The word Taylor and the Crown design  
are registered trademarks in the United States  
of America and certain other countries.*

Taylor Company  
750 N. Blackhawk Blvd.  
Rockton, IL 61072



# Table of Contents

---

<b>Section 1</b>	<b>To the Installer</b> .....	<b>1</b>
	Installer Safety .....	1
	Site Preparation .....	1
	Electrical Connections .....	1
	Installation .....	2
<b>Section 2</b>	<b>To the Operator</b> .....	<b>3</b>
<b>Section 3</b>	<b>Safety</b> .....	<b>4</b>
<b>Section 4</b>	<b>Operator Parts Identification</b> .....	<b>7</b>
	C811 Exploded View .....	7
	L811 Exploded View .....	8
	C813 Exploded View .....	9
	L813 Exploded View .....	10
	C819 Exploded View .....	11
	L819 Exploded View .....	12
	C821 Exploded View .....	13
	L821 Exploded View .....	14
	Accessories .....	15
<b>Section 5</b>	<b>Important: To the Operator</b> .....	<b>16</b>

<b>Section 6</b>	<b>Operating Procedures</b> .....	<b>17</b>
	Daily Opening Procedures .....	17
	Loading Store Menu Items To USB .....	23
	Loading Menu Items From USB .....	24
	Operating Procedures .....	27
	Daily Cleaning Procedures .....	29
<b>Section 7</b>	<b>Troubleshooting Guide</b> .....	<b>38</b>
<b>Section 8</b>	<b>Warranty Explanation</b> .....	<b>43</b>
<b>Section 9</b>	<b>Parts List</b> .....	<b>44</b>
	Wiring Diagrams .....	86

**Note: Continuing research results in steady improvements; therefore, information in this manual is subject to change without notice.**

**Note: Only instructions originating from the factory or its authorized translation representative(s) are considered to be the original set of instructions.**

© September, 2010 Taylor (Original Publication)  
(Updated April, 2013)  
All rights reserved.  
073625-M



*The word Taylor and the Crown design  
are registered trademarks in the United States  
of America and certain other countries.*

Taylor Company  
750 N. Blackhawk Blvd.  
Rockton, IL 61072

# Section 1

# To the Installer

The following are general installation instructions. For complete installation details, please see the checkout card.



This unit has many sharp edges that can cause severe injuries.

## Installer Safety



In all areas of the world, equipment should be installed in accordance with existing local codes. Please contact your local authorities if you have any questions.

Care should be taken to ensure that all basic safety practices are followed during the installation and servicing activities related to the installation and service of Taylor equipment.

- Only Taylor authorized service personnel should perform installation and repairs on the equipment.
- Authorized service personnel should consult OSHA Standard 29CFR1910.147 or the applicable code of the local area for the industry standards on lockout/tagout procedures before beginning any installation or repairs.
- Authorized service personnel must ensure that the proper PPE is available and worn when required during installation and service.
- Authorized service personnel must remove all metal jewelry, rings, and watches before working on electrical equipment.



The main power supply(s) to the equipment must be disconnected prior to performing any repairs. Failure to follow this instruction may result in personal injury or death from electrical shock or hazardous moving parts as well as poor performance or damage to the equipment.

**Note: All repairs must be performed by an authorized Taylor Service Technician.**

## Site Preparation

Review the area where the unit will be installed before uncrating the unit. Make sure all possible hazards to the user or equipment have been addressed.

## Electrical Connections

The grill is supplied with one power cord. Check the data plate on the grill for voltage, cycle, phase and electrical specifications.

For proper power connections, refer to the wiring diagram provided inside the left side panel, attached to the gas manifold assembly. The power connection is located behind the access line cover on the front of the grill.

In the United States, this equipment is intended to be installed in accordance with the National Electrical Code (NEC), ANSI/NFPA 70-1987. The purpose of the NEC code is the practical safeguarding of persons and property from hazards arising from the use of electricity. This code contains provisions considered necessary for safety. Compliance therewith and proper maintenance will result in an installation essentially free from hazard!

In all other areas of the world, equipment should be installed in accordance with the existing local codes. Please contact your local authorities.

The Proper Wire Size and Branch Circuit Overcurrent Device shall be selected according to the data label information and in accordance with CEC Part I 2006, Section 14-100(e)(i).



**FOLLOW YOUR LOCAL ELECTRICAL CODES!**



**CAUTION: THIS EQUIPMENT MUST BE PROPERLY GROUNDED! FAILURE TO DO SO CAN RESULT IN SEVERE PERSONAL INJURY FROM ELECTRICAL SHOCK!**



This unit is provided with an equipotential grounding lug that is to be properly attached to the rear of the frame by the authorized installer. The installation location is marked by the equipotential bonding symbol (5021 of IEC 60417-1) on both the removable panel and the equipment's frame.



- Stationary appliances which are not equipped with a power cord and a plug or another device to disconnect the appliance from the power source must have an all-pole disconnecting device with a contact gap of at least 3 mm installed in the external installation.
- Appliances that are permanently connected to fixed wiring and for which leakage currents may exceed 10 mA, particularly when disconnected or not used for long periods, or during initial installation, shall have protective devices such as a GFI, to protect against the leakage of current, installed by the authorized personnel to the local codes.
- Supply cords used with this unit shall be oil-resistant, sheathed flexible cable not lighter than ordinary polychloroprene or other equivalent synthetic elastomer-sheathed cord (Code designation 60245 IEC 57) installed with the proper cord anchorage to relieve conductors from strain, including twisting, at the terminals and protect the insulation of the conductors from abrasion.

If the supply cord is damaged, it must be replaced by the manufacturer, its service agent, or similarly qualified person, in order to avoid a hazard.

## Installation

**WARNING: Improper installation, adjustment, alteration, service or maintenance can cause property damage, injury or death. Read the installation, operating and maintenance instructions thoroughly before installing or servicing this equipment.**

**This machine is designed for indoor use only.**



**DO NOT** install the machine in an area where a water jet could be used to clean or rinse the machine. Failure to follow this instruction may result in serious electrical shock.



This grill must be installed on a level surface. Failure to comply may result in personal injury or equipment damage.

## Installation of Cable Kit

If the unit is permanently connected, the Cable Kit must be installed. Flexible conduit must be used when installing the appliance.

## Ventilation and Clearance

To ensure proper operation of this appliance, it must be installed so that the products of combustion are efficiently removed.



After set up, do not store anything on top of the grill. Failure to follow this instruction may result in a fire hazard.

## Grease Disposal Container

If the grill is not factory-equipped with grease disposal containers, the store is required to provide appropriate grease disposal containers in accordance with NSF Standard 4 requirements.

# Section 2

# To the Operator

The Taylor grills included in this manual consist of the base model numbers 811, 813, 819, and 821.

Prefix letters were added to the base model numbers to denote minor design differences:

C = Standard Platen Length (17.5" / 445 mm)

L = Longer Platen Length (21" / 533 mm)

G = Grooved Option

The models 811 and 813 are 36" (914 mm) grills. The 811 is equipped with three upper platens and the 813 is equipped with two upper platens.

The models 819 and 821 are 24" (610 mm) grills. The 819 is equipped with two upper platens and the model 821 is equipped with one upper platen.

These grills are capable of cooking a variety of products and feature two cooking options. They provide all the features of a flat grill as well as the advantages of two-sided cooking.

The grill you have purchased has been carefully engineered and manufactured to provide dependable operation. When properly operated and maintained, it will produce a consistent quality product. Like all mechanical products, it will require cleaning and maintenance. A minimum amount of care and attention is necessary if the operating procedures in this manual are followed closely.

This Operator's Manual should be read before operating or performing any maintenance on your equipment.

It is strongly recommended that all personnel responsible for the equipment's operation and cleaning review these procedures for proper training and assurance that no misunderstandings exist.

In the event you should require technical assistance, please contact your local authorized Taylor Distributor.

**Note:** Warranty is valid only if the parts are authorized Taylor parts, purchased from an authorized Taylor Distributor, and the required service work is provided by an authorized Taylor service technician. Taylor reserves the right to deny warranty claims on equipment or parts if non-approved parts or refrigerant were installed in the machine, system modifications were performed beyond factory recommendations, or it is determined that the failure was caused by neglect or abuse.

**Note: Constant research results in steady improvements; therefore, information in this manual is subject to change without notice.**



If the crossed out wheeled bin symbol is affixed to this product, it signifies that this product is compliant with the EU Directive as well as other similar legislation in effect after August 13, 2005. Therefore, it must be collected separately after its use is completed, and cannot be disposed as unsorted municipal waste.

The user is responsible for returning the product to the appropriate collection facility, as specified by your local code.

For additional information regarding applicable local laws, please contact the municipal facility and/or local distributor.

We, at Taylor Company, are concerned about the safety of the operator when he or she comes in contact with the grill and its parts. Taylor has gone to extreme efforts to design and manufacture built-in safety features to protect both you and the service technician. As an example, warning labels have been attached to the grill to further point out safety precautions to the operator.



**IMPORTANT - Failure to adhere to the following safety precautions may result in severe personal injury or death. Failure to comply with these warnings may damage the machine and its components. Component damage will result in part replacement expense and service repair expense.**

### To Operate Safely:



**DO NOT** operate the grill without reading this operator's manual. This manual should be kept in a safe place for future reference.



This appliance is to be used only by trained personnel. It is not intended for use by children or people with reduced physical, sensory, or mental capabilities, or lack of experience and knowledge, unless given supervision or instruction concerning the use of the appliance by a person responsible for their safety. Children should be supervised to ensure that they do not play with the appliance.



Failure to follow the instructions below may result in severe injury or death from electrocution:

- **DO NOT** operate the grill unless it is properly grounded.
- **DO NOT** operate the grill with larger fuses than specified on data label.

- **DO NOT** operate the grill unless all service panels and access doors are attached with screws.
- All repairs must be performed by an authorized Taylor service technician.
- The main power supplies to the grill must be disconnected prior to performing any repairs.
- For Cord Connected Units: Only Taylor authorized service technicians or licensed electricians may install a plug or replacement cord on these units.
- Stationary appliances which are not equipped with a power cord and a plug or other device to disconnect the appliance from the power source must have an all-pole disconnecting device with a contact gap of at least 3 mm installed in the external installation.
- Appliances that are permanently connected to fixed wiring and for which leakage currents may exceed 10 mA, particularly when disconnected or not used for long periods, or during initial installation, shall have protective devices such as a GFI, to protect against the leakage of current, installed by the authorized personnel to the local codes.
- Supply cords used with this unit shall be oil-resistant, sheathed flexible cable not lighter than ordinary polychloroprene or other equivalent synthetic elastomer-sheathed cord, (Code designation 60245 IEC 57), installed with the proper cord anchorage to relieve conductors from strain, including twisting, at the terminals and protect the insulation of the conductors from abrasion.




If the supply cord is damaged, it must be replaced by the manufacturer, its service agent, or similarly qualified person, in order to avoid a hazard.





**IMPORTANT: DO NOT use a water jet or spray excessive water on or anywhere near the grill.** Failure to follow this instruction may result in serious electrical shock and cause permanent electrical and mechanical damage to internal parts.

Failure to follow this instruction may result in:

-  serious electrical shock
-  burns from hot steam
-  liquid collecting inside the grill and destroying electrical components



This appliance must be isolated from all combustible construction and materials including, but not limited to; walls, partitions, furniture, floors, curtains, paper, boxes, and decorations. Failure to comply may result in fire and cause destruction and severe injury.



**FOR YOUR SAFETY**

**Do not store or use gasoline or other flammable vapors or liquids in the vicinity of this or any other appliance.**






**USE EXTREME CAUTION** while setting up, operating, and cleaning the grill.

- Avoid coming in contact with hot grill surfaces or with hot grease.
- **DO NOT** prepare or remove product without proper equipment.
- **DO NOT** allow untrained personnel to operate this grill.

Failure to follow these instructions can result in burn injuries.



**DO NOT** use cold water or ice to cool the upper platen or the lower cook surface. Failure to follow this instruction may result in:

-  serious electrical shock
-  burns from hot steam
-  liquid collecting inside the grill and destroying electrical components



Take caution to protect eyes, lungs, and all parts of the body from potential harm when using any chemical cleaner. Failure to follow this instruction may result in a chemical burn.



**DO NOT** use any abrasives or cleaners other than approved food service cleaners and degreasers. Failure to comply may cause illness to the consumer and may also damage grill surfaces.



For thorough cleaning, the grill must be pulled away from the wall. Before moving the grill, remove the grease cans. Turn off the gas at the quick connect shut-off valve on the flexible hose. Disconnect the gas quick connector. Disconnect the tether to the grill, located on the back panel of the unit.

To return the grill to its original position, reverse the steps. Use extreme caution to smoothly and slowly roll the grill backward into place.

Failure to do so may cause the grill to tip and can result in severe equipment damage or personal injury.



Cleaning and sanitizing schedules are governed by your state or local regulatory agencies and must be followed accordingly. Please refer to the cleaning section of this manual for the proper procedure to clean this unit.



Access to the service area of the unit is restricted to persons having knowledge and practical experience with the appliance, in particular as far as safety and hygiene are concerned.



- **DO NOT** obstruct the ventilation openings at the rear of this appliance.
- **DO NOT** obstruct the flow of air in and around the grill.



**NOTICE** all warning labels that have been attached to the grill to further point out safety precautions to the operator.

This piece of equipment is made in America and has American sizes on hardware. All metric conversions are approximate and vary in size.

**NOISE LEVEL:** Airborne noise emission does not exceed 70 dB(A) when measured at a distance of 1.0 meter from the surface of the machine and at a height of 1.6 meters from the floor.

These instructions are valid only if the country code symbol appears on the appliance. If the symbol does not appear on the appliance, refer to the technical instructions which give the necessary instructions for adapting the appliance to the utilization conditions of that country.



If the crossed out wheeled bin symbol is affixed to this product, it signifies that this product is compliant with the EU Directive as well as other similar legislation in effect after August 13, 2005. Therefore, it must be collected separately after its use is completed, and cannot be disposed as unsorted municipal waste.

The user is responsible for returning the product to the appropriate collection facility, as specified by your local code.

For additional information regarding applicable local laws, please contact the municipal facility and/or local distributor.

# Section 4

# Operator Parts Identification

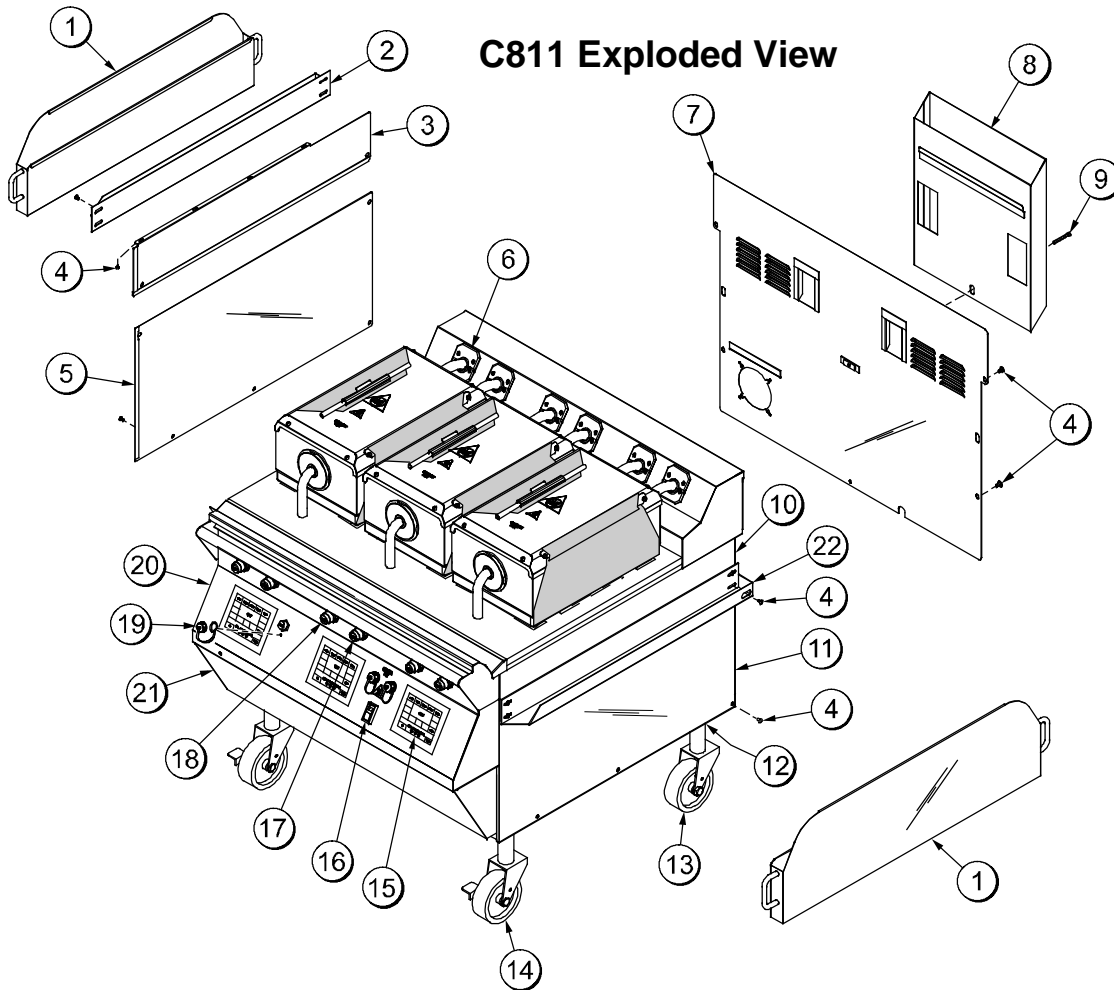


Figure 1

ITEM	DESCRIPTION	PART NO.
1	CAN A.-GREASE	X80925
2	SLIDE-GREASE CAN LEFT	069936
3	PANEL-SIDE-UPPER *LEFT	073990
4	SCREW-10-32X3/8 SLTD TRUS	024298
5	PANEL-SIDE-LOWER *LEFT	073992
*6	KIT A.-GREASE SHIELD	X78330-SER
7	PANEL A.-BACK SERVICE	X73993
8	DEFLECTOR A.-FLUE	X69555
9	SCREW-3/8-16X3/4 SERR HWH	017328
10	PANEL-SIDE-UPPER *RIGHT	073989
11	PANEL-SIDE-LOWER *RIGHT	073991

ITEM	DESCRIPTION	PART NO.
12	NUT-JAM 1-1/2-12 (2 PCS)	073594
13	CASTER-5" 7-5/8 STEM	078377
14	CASTER-GRILL 5" SWIVEL LOC	073240
15	KIT A.-GRILL CONTROL GEN	X73474-SER
16	SWITCH-ROCKER-DPST-10A	076989-WP
17	BUTTON-OPERATOR-BLACK	076012
18	BUTTON-OPERATOR-RED	076011
19	COVER A.-USB WATERPROOF	068583
20	PANEL A.-FRONT UPPER	X69550
21	PANEL A.-FRONT-LOWER	X73979
22	SLIDE-GREASE CAN RIGHT	069935

\*NOTE: 1 KIT PER PLATEN

# L811 Exploded View

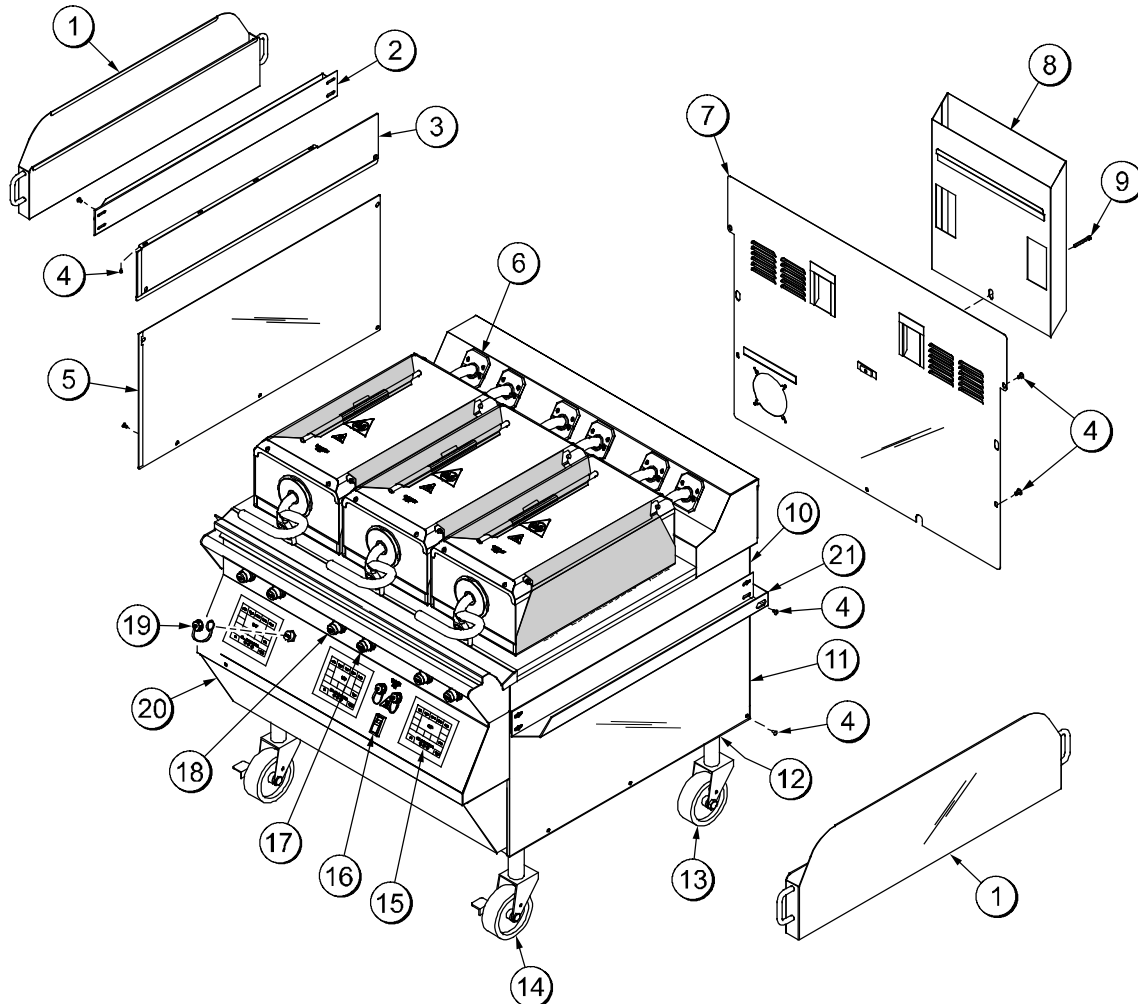


Figure 2

ITEM	DESCRIPTION	PART NO.
1	CAN A.-GREASE	X80925
2	SLIDE-GREASE CAN LEFT	069936
3	PANEL-SIDE-UPPER *LEFT	073990
4	SCREW-10-32X3/8 SLTD TRUS	024298
5	PANEL-SIDE-LOWER *LEFT	073992
*6	KIT A.-GREASE SHIELD	X78330-SER
7	PANEL A.-BACK SERVICE	X73993
8	DEFLECTOR A.-FLUE	X69555
9	SCREW-3/8-16X34 SERR HWH	017328
10	PANEL-SIDE-UPPER *RIGHT	073989
11	PANEL-SIDE-LOWER *RIGHT	073991

ITEM	DESCRIPTION	PART NO.
12	NUT-JAM 1-1/2-12 (2 PCS)	073594
13	CASTER-5" 7-5/8 STEM	078377
14	CASTER-GRILL 5" SWIVEL LOC	073240
15	KIT A.-GRILL CONTROL GEN	X73474-SER
16	SWITCH-ROCKER-DPST-10A	076989-WP
17	BUTTON-OPERATOR-BLACK	076012
18	BUTTON-OPERATOR-RED	076011
19	COVER A.-USB WATERPROOF	068583
20	PANEL A.-FRONT-LOWER	X73979
21	SLIDE-GREASE CAN RIGHT	069935

\*NOTE: 1 KIT PER PLATEN

# C813 Exploded View

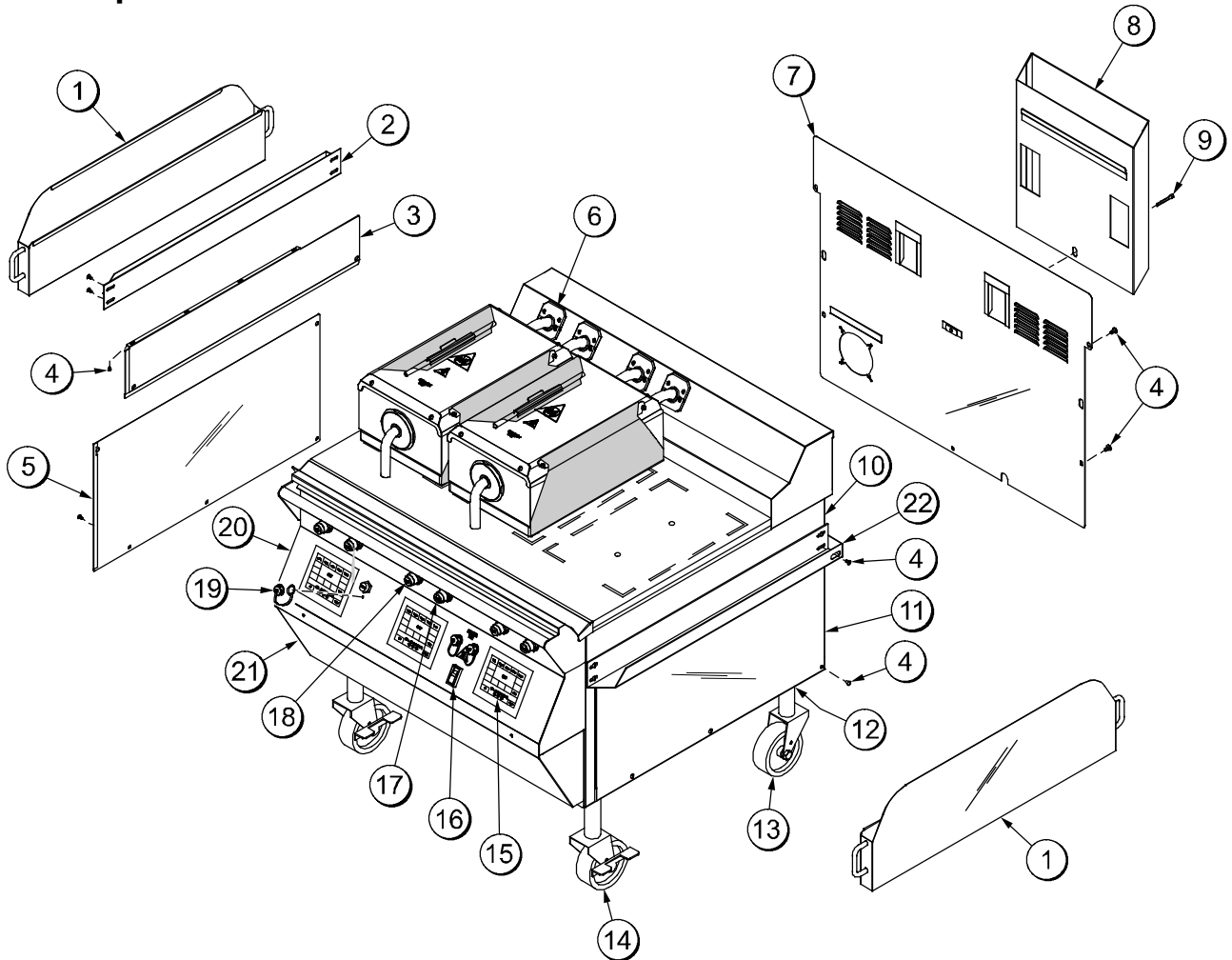


Figure 3

ITEM	DESCRIPTION	PART NO.
1	CAN A.-GREASE	X80925
2	SLIDE-GREASE CAN LEFT	069936
3	PANEL-SIDE-UPPER *LEFT	073990
4	SCREW-10-32X3/8 SLTD TRUS	024298
5	PANEL-SIDE-LOWER-LEFT	073992
*6	KIT A.-GREASE SHIELD	X78330-SER
7	PANEL A.-BACK SERVICE	X73993
8	DEFLECTOR A.-FLUE	X69555
9	SCREW-3/8-16X3/4 SERRATED	017328
10	PANEL-SIDE-UPPER *RIGHT	073989
11	PANEL-SIDE-LOWER-RIGHT	073991
12	NUT-JAM 1 1/2-12 STEEL	073594

ITEM	DESCRIPTION	PART NO.
13	CASTER-5" 7-5/8 STEM	078377
14	CASTER-GRILL 5" SWIVEL W/LOCK	073240
15	KIT A.-GRILL CONTROL GEN	X73474-SER
16	SWITCH-ROCKER-DPST-10A	076989-WP
17	BUTTON-OPERATOR-BLACK	076012
18	BUTTON-OPERATOR-RED	076011
19	COVER A.-USB WATERPROOF	068583
20	PANEL A.-FRONT UPPER	X69550
21	PANEL A.-FRONT-LOWER	X73979
22	SLIDE-GREASE CAN RIGHT	069935

\*NOTE: 1 KIT PER PLATEN

# L813 Exploded View

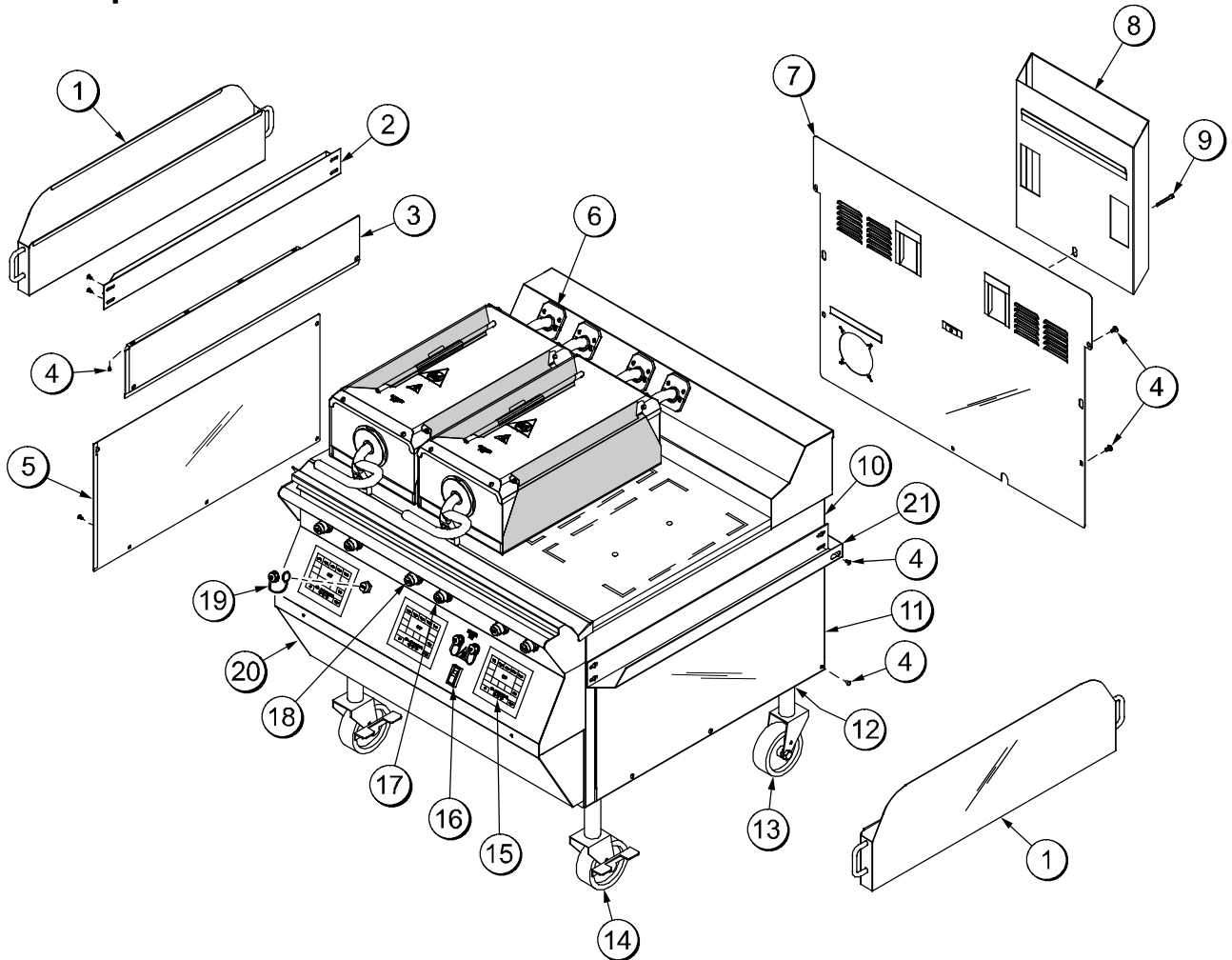


Figure 4

ITEM	DESCRIPTION	PART NO.
1	CAN A.-GREASE	X80925
2	SLIDE-GREASE CAN LEFT	069936
3	PANEL-SIDE-UPPER *LEFT	073990
4	SCREW-10-32X3/8 SLTD TRUS	024298
5	PANEL-SIDE-LOWER-LEFT	073992
*6	KIT A.-GREASE SHIELD	X78330-SER
7	PANEL A.-BACK SERVICE	X73993
8	DEFLECTOR A.-FLUE	X69555
9	SCREW-3/8-16X3/4 SERRATED	017328
10	PANEL-SIDE-UPPER *RIGHT	073989
11	PANEL-SIDE-LOWER-RIGHT	073991

ITEM	DESCRIPTION	PART NO.
12	NUT-JAM 1 1/2-12 STEEL	073594
13	CASTER-5" 7-5/8 STEM	078377
14	CASTER-GRILL 5" SWIVEL W/LOCK	073240
15	KIT A.-GRILL CONTROL GEN	X73474-SER
16	SWITCH-ROCKER-DPST-10A	076989-WP
17	BUTTON-OPERATOR-BLACK	076012
18	BUTTON-OPERATOR-RED	076011
19	COVER A.-USB WATERPROOF	068583
20	PANEL A.-FRONT-LOWER	X73979
21	SLIDE-GREASE CAN RIGHT	069935

\*NOTE: 1 KIT PER PLATEN

# C819 Exploded View

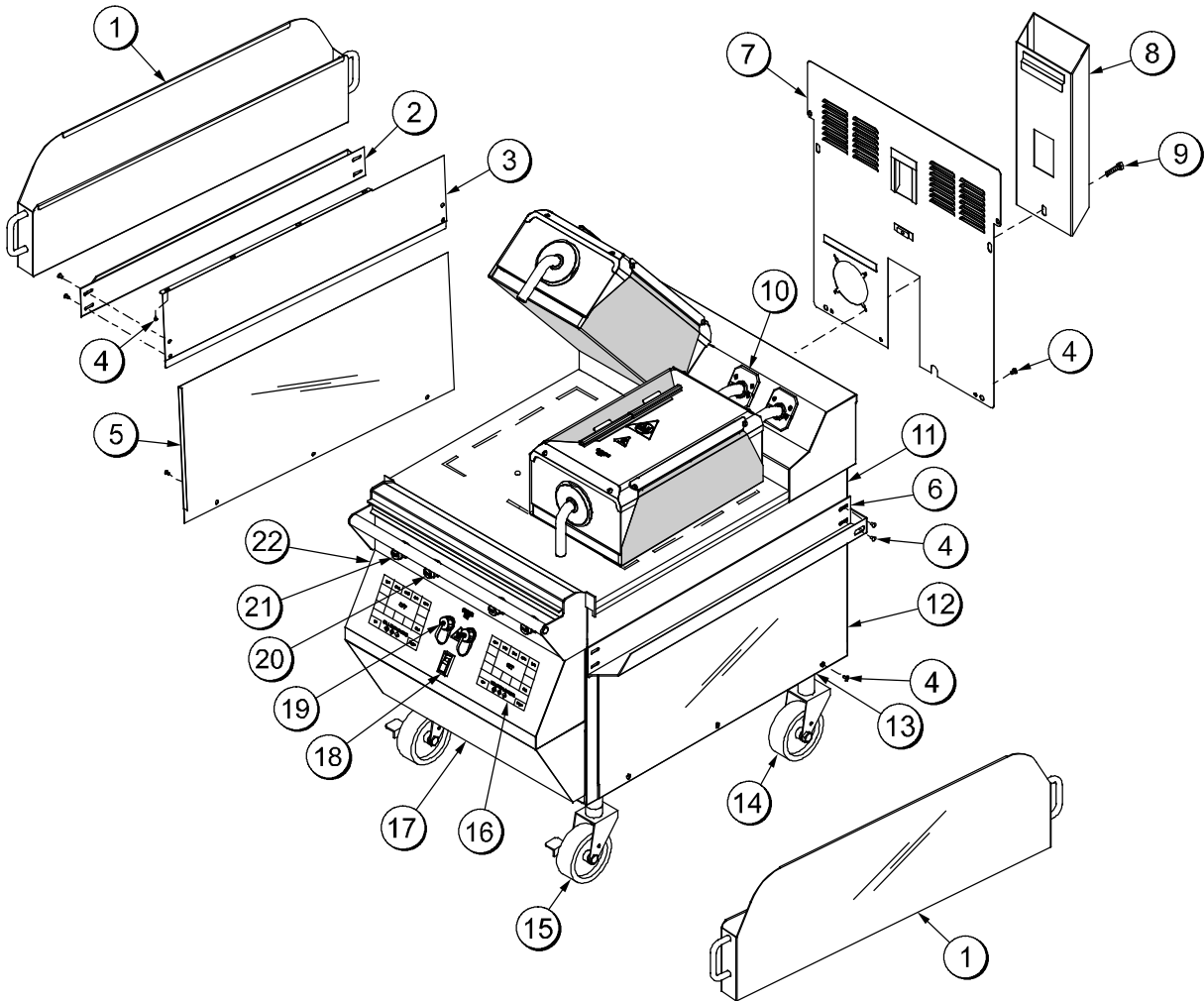


Figure 5

ITEM	DESCRIPTION	PART NO.
1	CAN A.-GREASE	X80925
2	SLIDE-GREASE CAN LEFT	069936
3	PANEL-SIDE UPPER-LEFT	073990
4	SCREW-10-32X3/8 SLTD TRUS	024298
5	PANEL-SIDE-LOWER-LEFT	073992
6	SLIDE-GREASE CAN RIGHT	069935
7	PANEL A.-BACK SERVICE	X69664
8	DEFLECTOR A.-FLUE	X69657
9	SCREW-3/8-16X1-1/2 SERR	020129
*10	KIT A.-GREASE SHIELD	X78330-SER
11	PANEL-SIDE UPPER-RIGHT	073989
12	PANEL-SIDE-LOWER-RIGHT	073991

ITEM	DESCRIPTION	PART NO.
13	NUT-JAM 1 1/2-12 STEEL	073594
14	CASTER-5" 7-5/8 STEM	078377
15	CASTER-GRILL 5" SWIVEL W/LOCK	073240
16	KIT A.-GRILL CONTROL	X73474-SER
17	PANEL A.-FRONT-LOWER	X69660
18	SWITCH-ROCKER-DPST-10A	076989-WP
19	COVER A.-USB WATERPROOF	068583
20	BUTTON-OPERATOR-BLACK	076012
21	BUTTON-OPERATOR-RED	076011
22	PANEL A.-LIGHT	X80626

\*NOTE: 1 KIT PER PLATEN

# L819 Exploded View

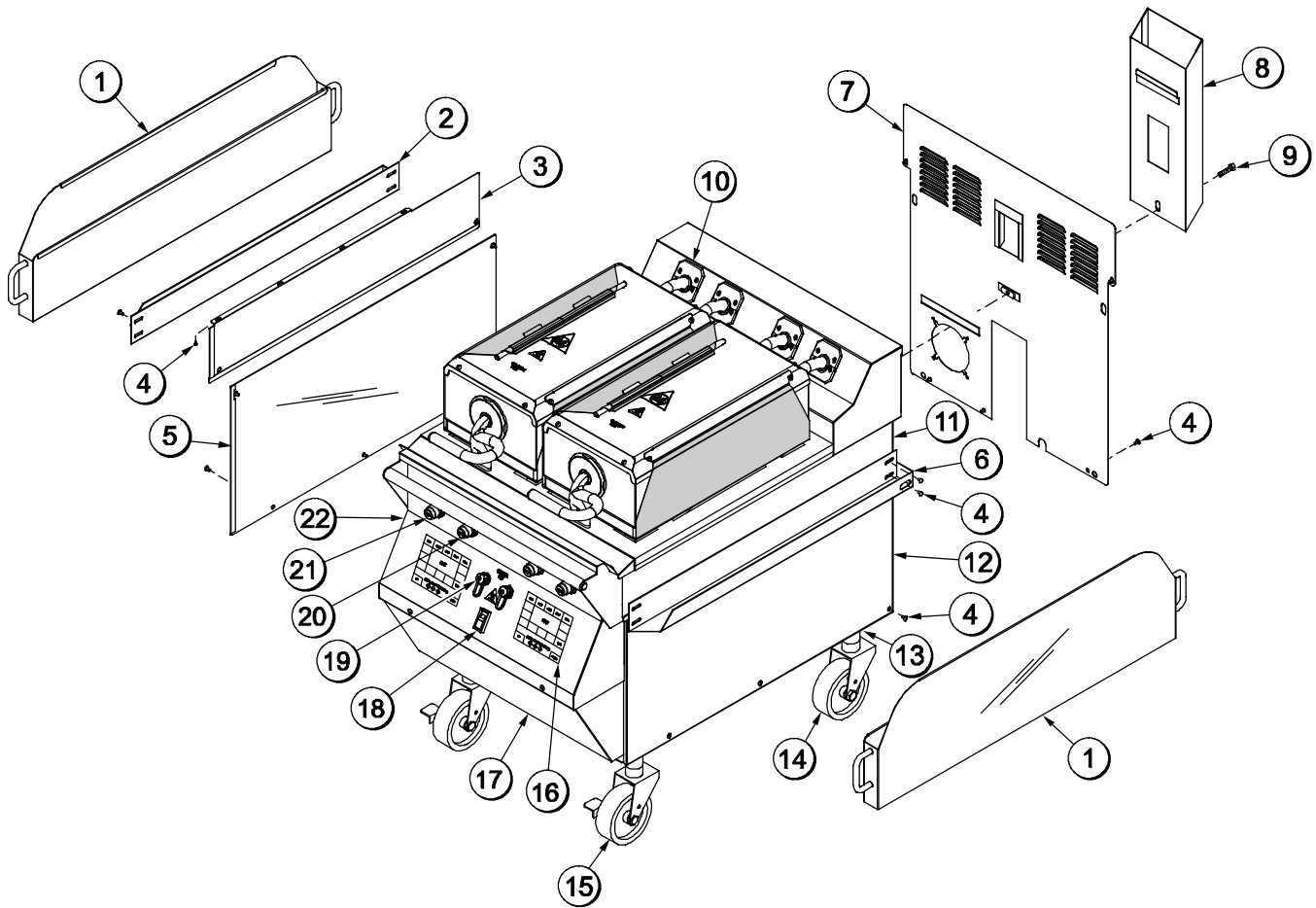


Figure 6

ITEM	DESCRIPTION	PART NO.
1	CAN A.-GREASE	X80925
2	SLIDE-GREASE CAN LEFT	069936
3	PANEL-SIDE UPPER-LEFT	073990
4	SCREW-10-32X3/8 SLTD TRUS	024298
5	PANEL-SIDE-LOWER-LEFT	073992
6	SLIDE-GREASE CAN RIGHT	069935
7	PANEL A.-BACK SERVICE	X69664
8	DEFLECTOR A.-FLUE	X69657
9	SCREW-3/8-16X1-1/2 SERR	020129
*10	KIT A.-GREASE SHIELD	X78330-SER
11	PANEL-SIDE UPPER-RIGHT	073989
12	PANEL-SIDE-LOWER-RIGHT	073991

ITEM	DESCRIPTION	PART NO.
13	NUT-JAM 1 1/2-12 STEEL	073594
14	CASTER-5" 7-5/8 STEM	078377
15	CASTER-GRILL 5" SWIVEL W/LOCK	073240
16	KIT A.-GRILL CONTROL	X73474-SER
17	PANEL A.-FRONT-LOWER	X69660
18	SWITCH-ROCKER-DPST-10A	076989-WP
19	COVER A.-USB WATERPROOF	068583
20	BUTTON-OPERATOR-BLACK	076012
21	BUTTON-OPERATOR-RED	076011
22	PANEL A.-LIGHT	X80626

\*NOTE: 1 KIT PER PLATEN



# C821 Exploded View

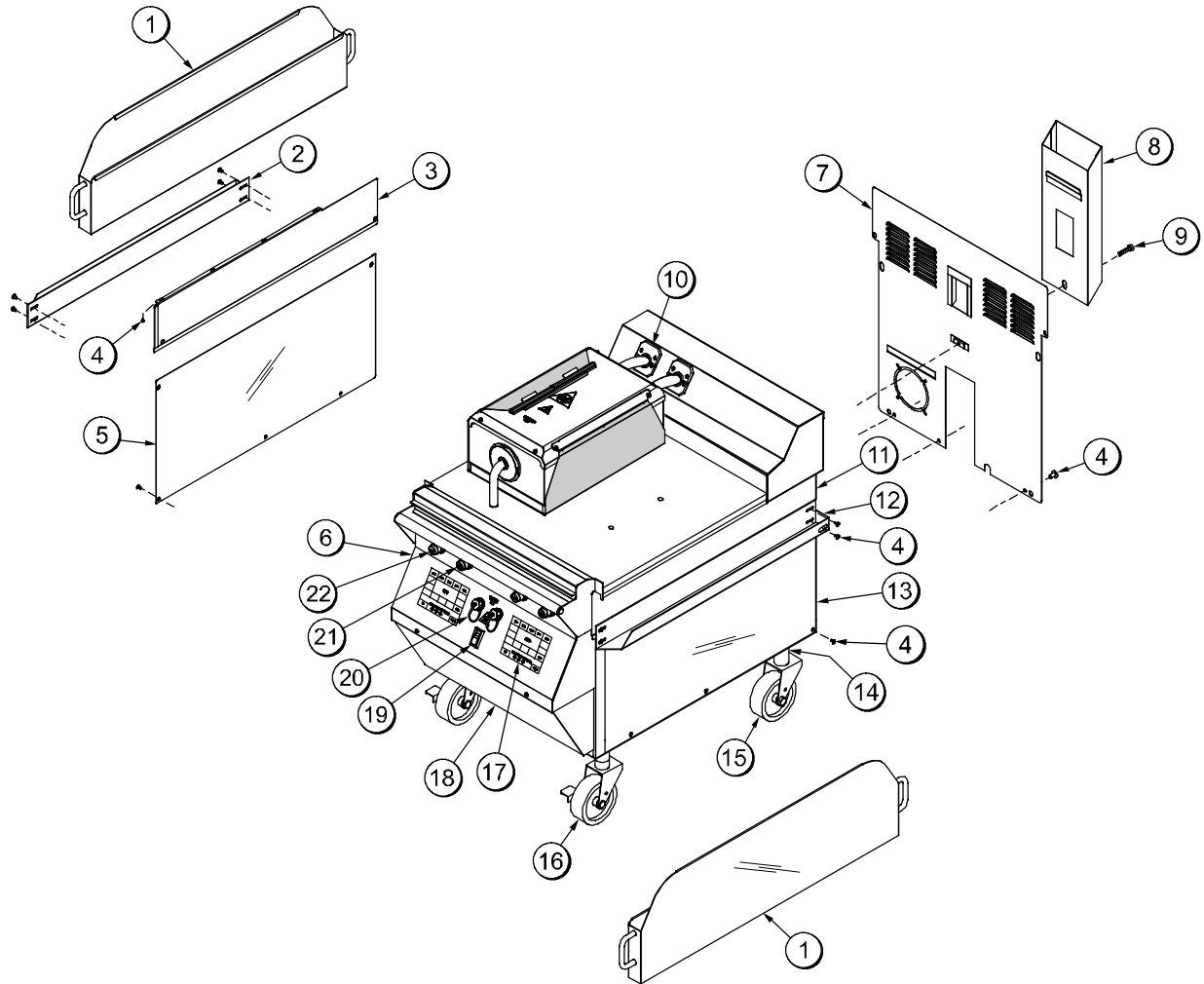


Figure 7

ITEM	DESCRIPTION	PART NO.
1	CAN A.-GREASE	X80925
2	SLIDE-GREASE CAN LEFT	069936
3	PANEL-SIDE UPPER-LEFT	073990
4	SCREW-10-32X3/8 SLTD TRUS	024298
5	PANEL-SIDE-LOWER-LEFT	073992
6	PANEL A.-LIGHT	X80626
7	PANEL A.-BACK SERVICE	X69664
8	DEFLECTOR A.-FLUE	X69657
9	SCREW-3/8-16X1-1/2 SERR	020129
*10	KIT A.-GREASE SHIELD	X78330-SER
11	PANEL-SIDE UPPER-RIGHT	073989
12	SLIDE-GREASE CAN RIGHT	069935

ITEM	DESCRIPTION	PART NO.
13	PANEL-SIDE-LOWER-RIGHT	073991
14	NUT-JAM 1 1/2-12 STEEL	073594
15	CASTER-5" 7-5/8 STEM	078377
16	CASTER-GRILL 5" SWIVEL W/LOCK	073240
17	KIT A.-GRILL CONTROL	X73474-SER
18	PANEL A.-FRONT-LOWER	X69660
19	SWITCH-ROCKER-DPST-10A	076989-WP
20	COVER A.-USB WATERPROOF	068583
21	BUTTON-OPERATOR-BLACK	076012
22	BUTTON-OPERATOR-RED	076011

\*NOTE: 1 KIT PER PLATEN

# L821 Exploded View

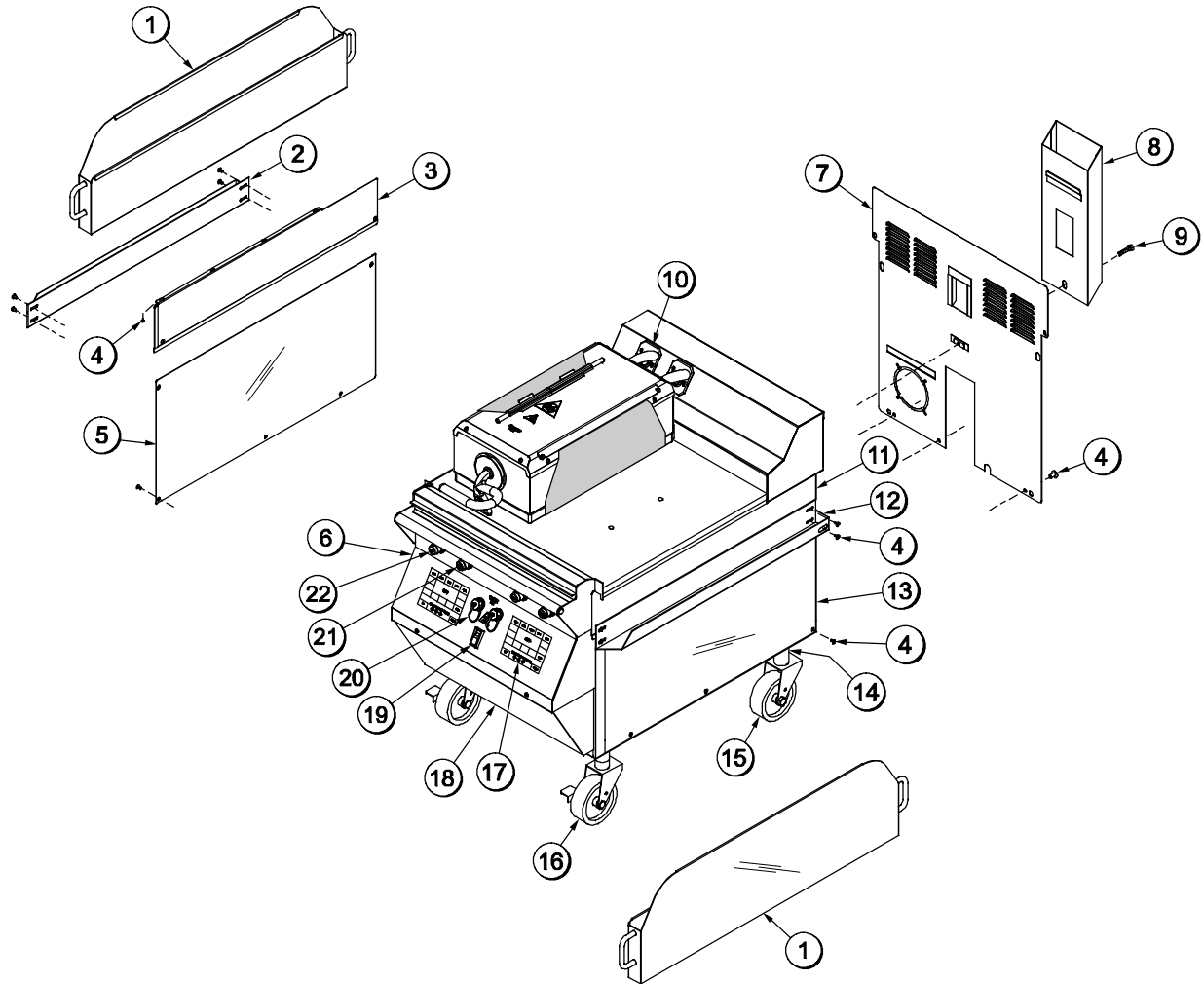


Figure 8

ITEM	DESCRIPTION	PART NO.
1	CAN A.-GREASE	X80925
2	SLIDE-GREASE CAN LEFT	069936
3	PANEL-SIDE UPPER-LEFT	073990
4	SCREW-10-32X3/8 SLTD TRUS	024298
5	PANEL-SIDE-LOWER-LEFT	073992
6	PANEL A.-LIGHT	X80626
7	PANEL A.-BACK SERVICE	X69664
8	DEFLECTOR A.-FLUE	X69657
9	SCREW-3/8-16X1-1/2 SERR	020129
*10	KIT A.-GREASE SHIELD	X78330-SER
11	PANEL-SIDE UPPER-RIGHT	073989
12	SLIDE-GREASE CAN RIGHT	069935

ITEM	DESCRIPTION	PART NO.
13	PANEL-SIDE-LOWER-RIGHT	073991
14	NUT-JAM 1 1/2-12 STEEL	073594
15	CASTER-5" 7-5/8 STEM	078377
16	CASTER-GRILL 5" SWIVEL W/LOCK	073240
17	KIT A.-GRILL CONTROL	X73474-SER
18	PANEL A.-FRONT-LOWER	X69660
19	SWITCH-ROCKER-DPST-10A	076989-WP
20	COVER A.-USB WATERPROOF	068583
21	BUTTON-OPERATOR-BLACK	076012
22	BUTTON-OPERATOR-RED	076011

\*NOTE: 1 KIT PER PLATEN

## Accessories

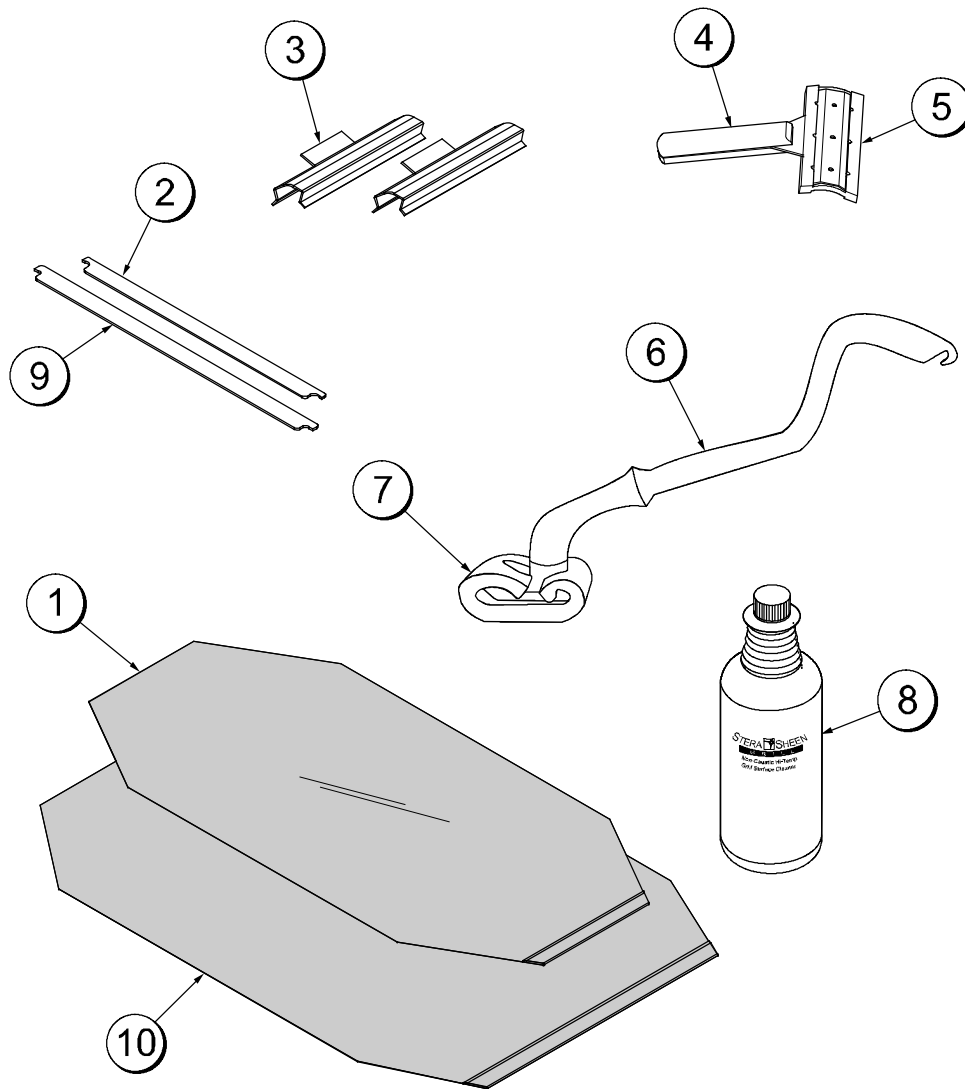


Figure 9

ITEM	DESCRIPTION	PART NO.
1	SHEET-RELEASE - BOX OF 9 (C811, C813, C819, C821)	073442
*2	RETAINER-SHEET RELEASE (RETENTION BAR) (C811, C813, C819, C821)	072845
**3	CLIP-RELEASE MATERIAL W/TAB	072673
4	SCRAPER-TEFLON WIPER	075887
5	STRIP-REPLACEMENT	075888

ITEM	DESCRIPTION	PART NO.
***6	HOLDER-CLEANING	073736
***7	PAD-CLEANING	073737
8	CLEANER-STERA SHEEN (CASE OF 6, 1 QT. BOTTLES)	073160
*9	RETAINER-SHEET RELEASE (RETENTION BAR) (L811, L813, L819, L821)	080594
10	SHEET-RELEASE -BOX OF 9 (L811, L813, L819, L821)	080595

\* SHOWN PER PLATEN

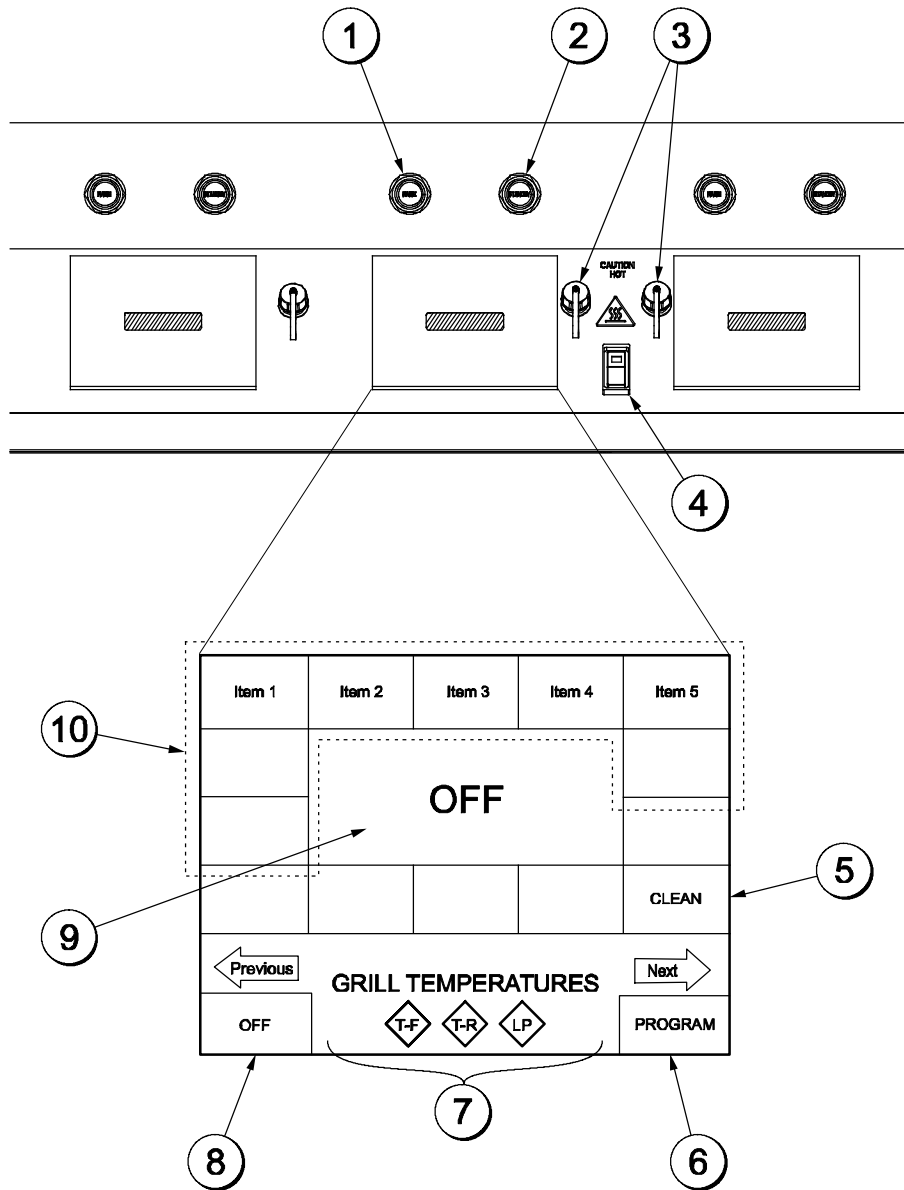
\*\* SHOWN PER PLATEN

(NOTE: EXTRA CLIPS ARE SENT WITH GRILL)

\*\*\* SOLD SEPARATELY THROUGH YOUR LOCAL DISTRIBUTOR

# Section 5

# Important: To the Operator



Note: The Model 811 three platen grill has been selected for illustration purposes.

Figure 10

ITEM	DESCRIPTION
1	RAISE BUTTON
2	STANDBY/COOK MODE BUTTON
3	USB COVER/CONNECTION
4	POWER SWITCH
5	CLEAN MODE KEY

ITEM	DESCRIPTION
6	PROGRAM KEY
7	TEMPERATURE INDICATOR LIGHTS
8	POWER KEY
9	FUNCTION DISPLAY
10	MENU SELECT KEYS

# Section 6

# Operating Procedures

The three platen Model L811 has been selected to illustrate the step-by-step procedures. For grills equipped with less than three platens, perform the following steps as appropriate for your grill platen configuration.

## Daily Opening Procedures

Before operating the grill, the release sheets must be installed on the upper platens. The release sheets are reversed and rotated on a daily basis (black side vs. gray side.)

Perform the following steps for installing release sheets:



**CAUTION: Make sure the grill is COOL before attempting to install or remove release sheets.**

### Step 1

Slide the release sheet retainer through the hemmed end of the release sheet.

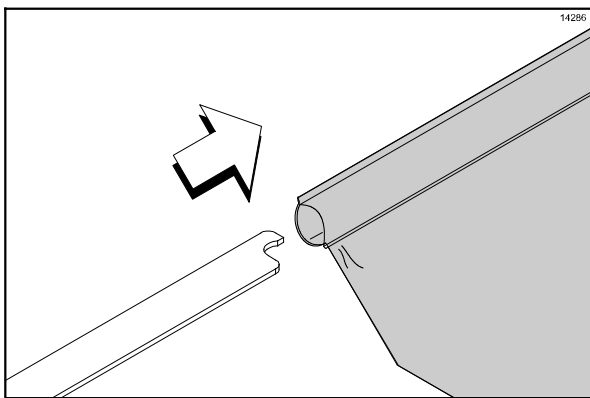


Figure 11

### Step 2

Hook the release sheet retainer on the release sheet shoulder screws at the top of the upper platen.

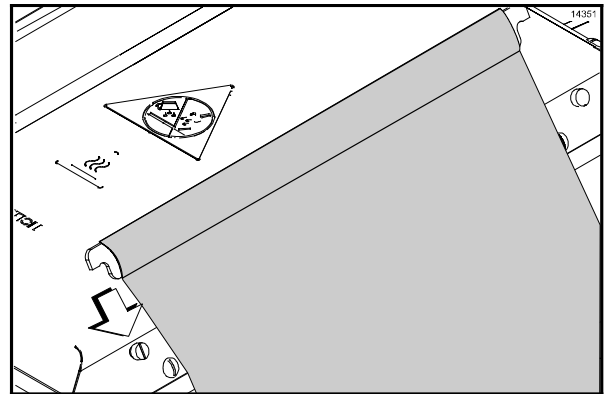


Figure 12

### Step 3

Hold the non-hemmed end of the release sheet. Gently pull the sheet tight, wrapping it around the platen in a side-to-side manner.

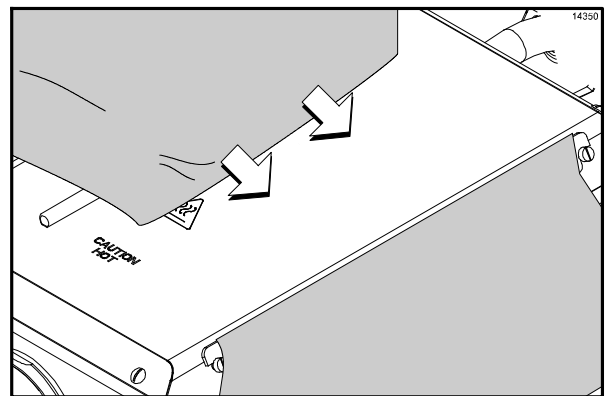


Figure 13

**Note:** Check the alignment of the release sheet and make sure it fits smoothly over the upper platen.

#### Step 4

Place the release sheet clips over the release sheet. Press them into place over the release sheet bar at the top of the platen.

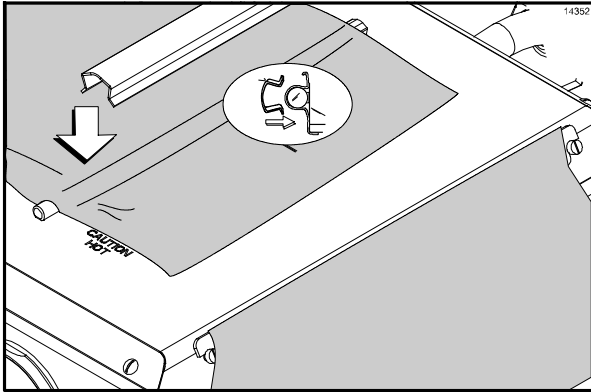


Figure 14

#### Step 5

Check the tightness of the release sheet against the upper platen.

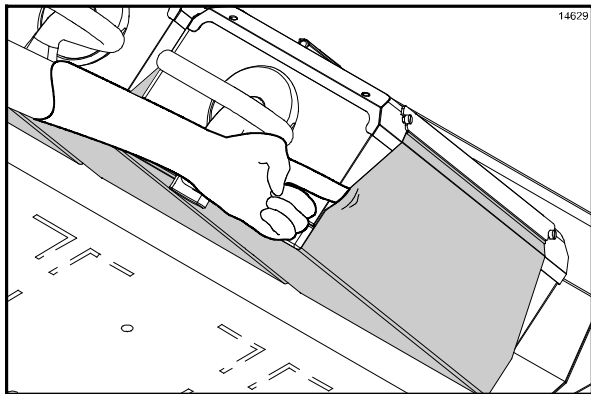


Figure 15

**Note:** Installing the release sheets too tightly may cause premature failure of the sheet.

#### Step 6

Repeat steps 1 through 5 for the remaining upper platen(s).

**Note:** Temperature checks should only be conducted with the release sheets removed.

#### Replace the release sheet when:

- Cleaning procedures fail to remove all buildup and product sticks to the release sheet.
- A tear appears in the cooking area of the release sheet, causing product to stick to the release sheet.

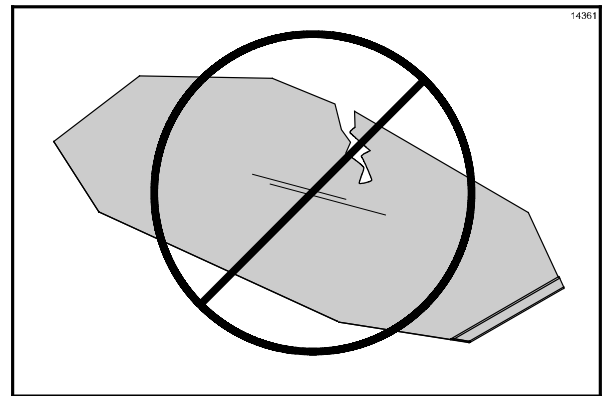


Figure 16



**CAUTION:** The upper platen surface and release sheet are very hot. To prevent burn injuries, wear heat-resistant gloves when replacing the release sheets.

**Note:** It is not necessary to change the release sheet if small pin holes develop on the sheet.

## Care of Release Sheets

### DO NOT:

- **DO NOT** fold or crease.

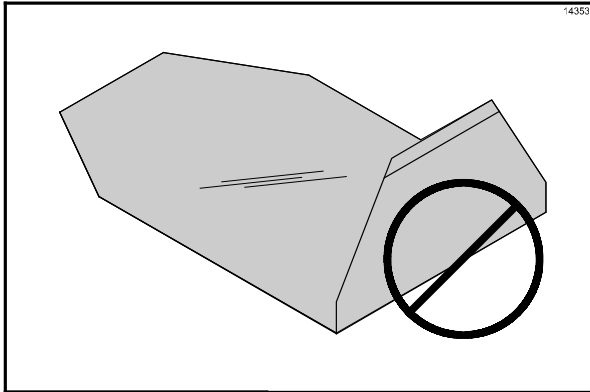


Figure 17

- **DO NOT** touch with sharp objects, grill scrapers, or abrasive pads.
- **DO NOT** place under other equipment or objects.
- **DO NOT** hot-hose or soak in water.

### DO:

- **DO** clean with a squeegee after each run of product.
- **DO** wipe with a clean, sanitizer-soaked grill cloth a **minimum of 4 times per hour** and more often during peak periods.
- **DO** clean daily on both sides, using an approved high temperature grill cleaner and the grill cleaning pad and holder identified on page 15.



**IMPORTANT!** Clean the release sheets using the grill cleaning pad and holder identified on page 15 **ONLY**. Using any other pad and holder will damage the release sheets.

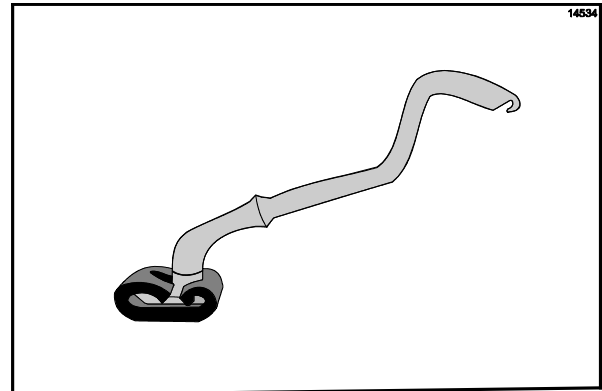


Figure 18

**Note:** Contact your local Taylor Distributor to purchase the correct grill cleaning pad and holder. (See page 15.)

- **DO** rinse to remove cleaner and allow to dry on a flat surface.
- **DO** rotate the release sheet daily and re-install on opposite side than previously used (black side vs. brown side).

## Start Up of the Grill

**IMPORTANT!** The lower grill surface and the upper platen **MUST BE CLEAN** before starting these procedures.

### Step 1

Place the power switch in the ON position.

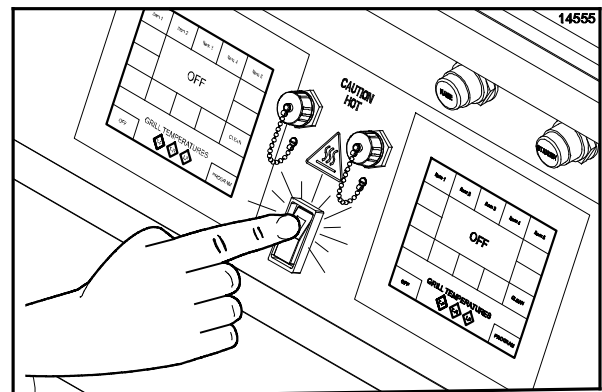


Figure 19

The control will display the word "INITIALIZATION" for five seconds and then will enter the OFF mode, displaying the message "OFF". The temperature indicators will not be illuminated. A tone will sound for 20 seconds unless the operator touches the display screen, raise button or the standby button.

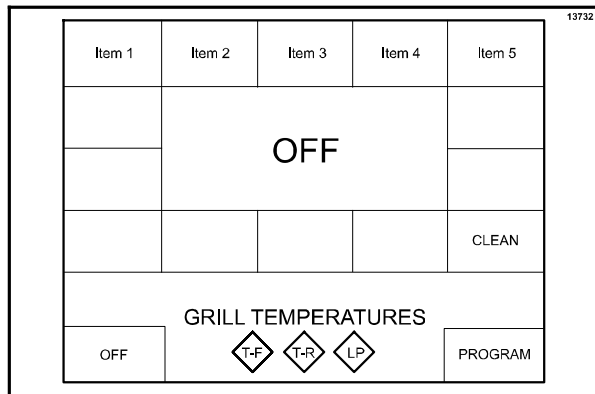


Figure 20

### Step 2

Touch a menu key on the control to start the grill. The grill will start heating up to the proper temperature. The control will display the selected menu item and indicate "BOTTOM TOO COOL" and "TOP TOO COOL". The grill temperature indicators will be illuminated in amber.

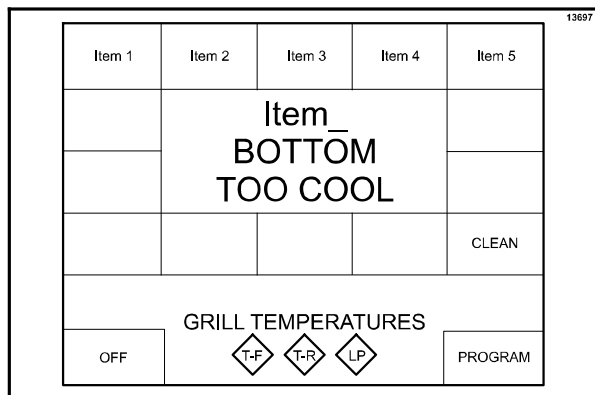


Figure 21

**Note:** If an ignition failure fault occurs upon start up, press the center of the control. The control will display "OFF". Refer to problem #2, items a, b, and c of the Gas Grill Troubleshooting Guide on page 42. After five minutes has elapsed, press the menu key again. If the ignition failure fault was not resolved, please call your authorized service technician.

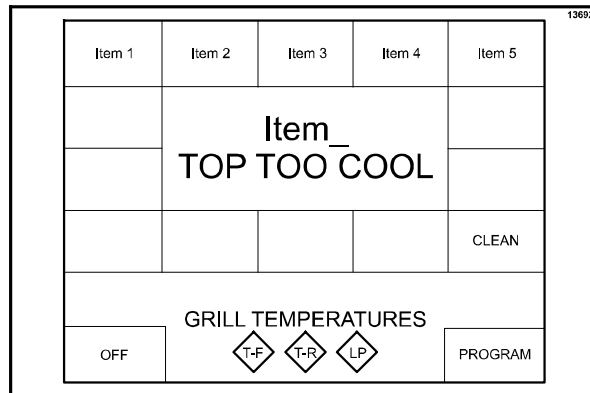


Figure 22

When the grill is at the proper temperature, the temperature statements will no longer display and the temperature indicators will be illuminated in green.

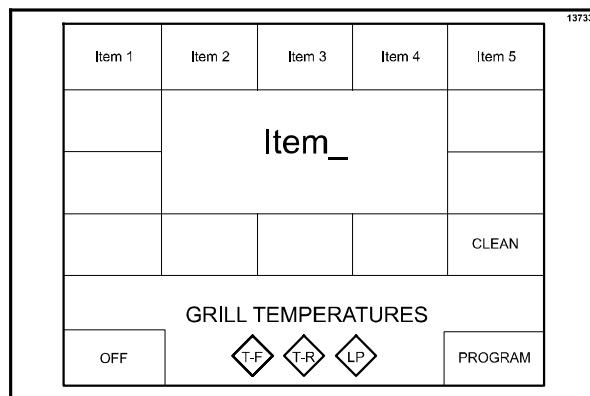


Figure 23



## Programming Menu Items

To enter the Program Mode, the grill control must be in the OFF or IDLE mode.

### Step 1

Press and hold the PROGRAM key for approximately five seconds to enter the Program Mode.

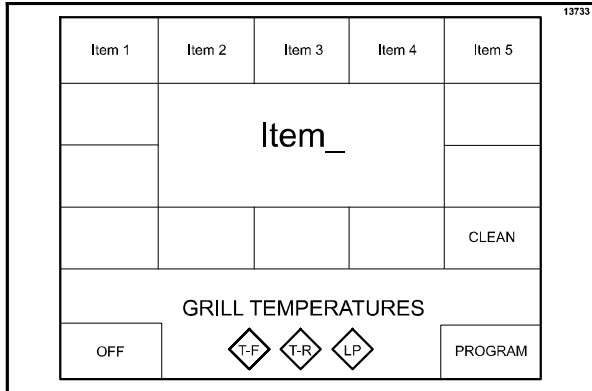


Figure 24

### Step 2

The PASSWORD screen will appear. Enter the Operator Password "STORE1" and press the OK key.

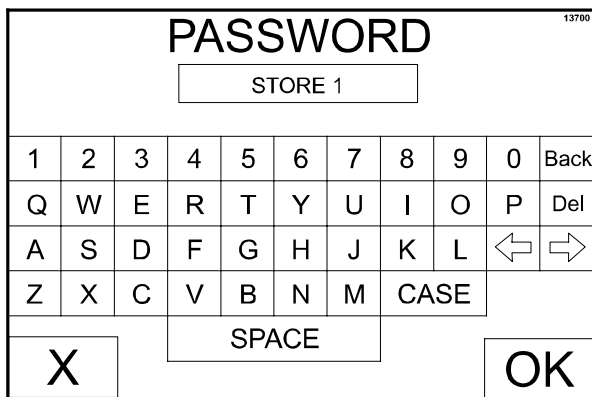


Figure 25

### Step 3

The PROGRAM MODE screen will appear.

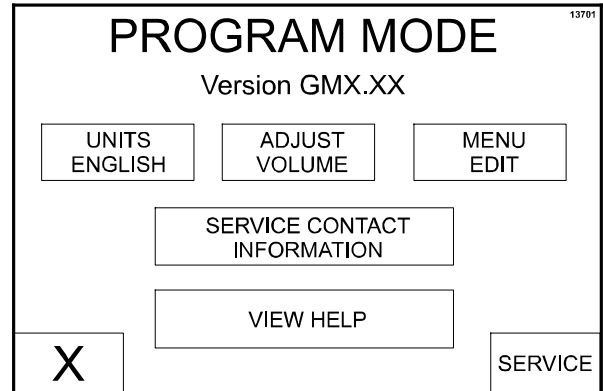


Figure 26

## UNITS Key

The UNITS key is used to select either English or metric units of measure. The UNITS key toggles between F and C with each key press.

## ADJUST VOLUME Key

The ADJUST VOLUME key displays the current volume. To increase or decrease the volume, use the UP and DOWN arrow keys.

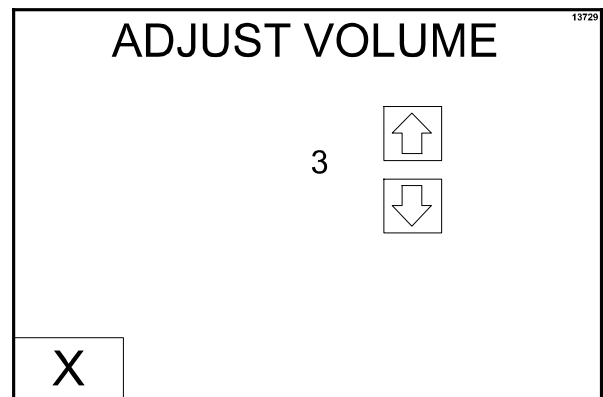


Figure 27

## MENU EDIT Key

The MENU EDIT key is used to program a menu item. When the MENU EDIT key is pressed, the following screen will display.

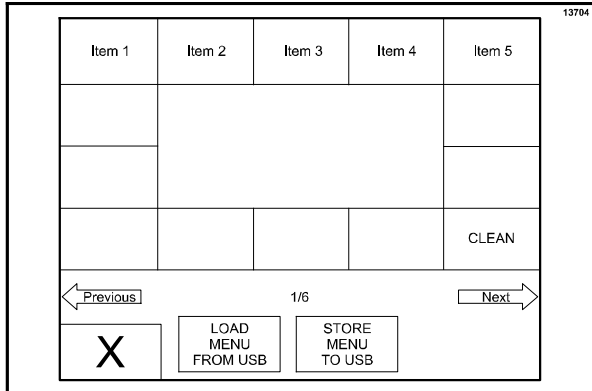


Figure 28

If there is more than one screen of menu items, press the Previous or Next arrow keys to access the other menu items.

Press the menu item key to be programmed. The following screen will display.

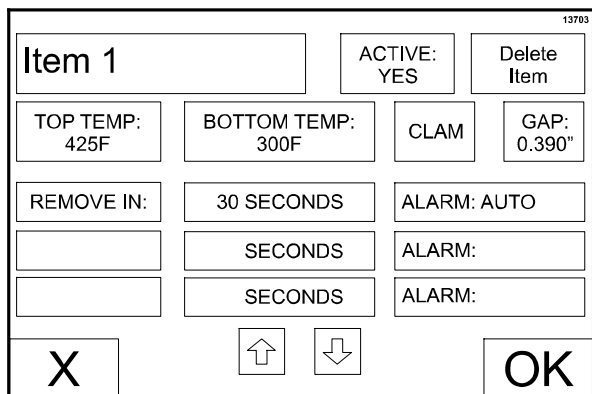


Figure 29

To edit a menu item, press the menu item key to bring up a virtual keyboard. Type in the desired name (up to 8 characters per line) and then press the “X” key to return to the previous screen.

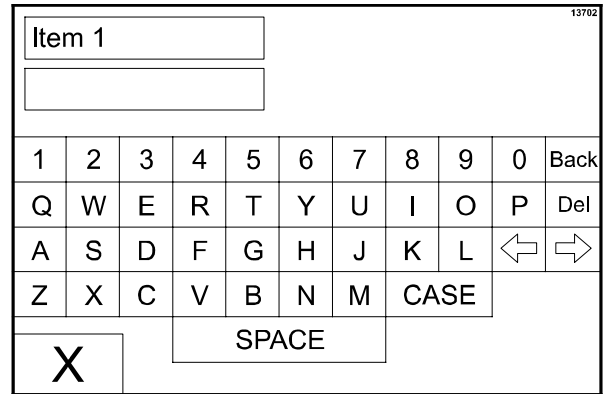


Figure 30

**ACTIVE: YES or NO.** This key displays the current selection. Pressing the key toggles to the opposite selection. Selecting YES will display the menu item on the main display screen.

**TOP TEMP:** This key displays the current set point temperature for the platen. To increase or decrease the temperature, use the UP and DOWN arrow keys.

**BOTTOM TEMP:** This key displays the current set point temperature for the lower grill surface. To increase or decrease the temperature, use the UP and DOWN arrow keys.

**Note:** When setting the temperatures for a given item, the limits are 150°F to 450°F (66°C to 232°C) for the upper platen and 150°F to 400°F (66°C to 204°C) for the lower grill surface. If the temperatures are set lower or higher than the temperature limits, the set point at the control will default to 150°F and 450°F (66°C and 232°C) respectively.

**CLAM/FLAT:** This key displays the current setting (CLAM or FLAT) associated with that function. Pressing the key toggles the mode to the opposite selection.

**GAP:** This key is only active if CLAM has been selected. The key displays the platen gap (in inches or mm) associated with the FUNCTION. To increase or decrease the gap setting, use the UP and DOWN arrow keys.

**MULTIPLE TIMING FUNCTIONS:** There is one timing function for clam items and a maximum of 3 timing functions for each flat menu item. Each function has a set of parameters associated with it. The function currently associated with the menu item is displayed. Pressing either function 1, function 2, or function 3 will bring up the next function in the list. The functions provided are:

- REMOVE IN
- TURN IN
- SEAR IN

**ALARM AUTO/MANUAL:** This key displays the current status of the alarm mode. Pressing the key toggles the mode to the opposite selection.

If ALARM AUTO is selected, the alarm will automatically stop after five seconds has elapsed. Selecting ALARM MANUAL requires the operator touch anywhere on the display screen or the raise or standby buttons to stop the alarm.

**XXX SECONDS:** This key displays the time associated with that menu item in seconds. To increase or decrease the seconds setting, use the UP and DOWN arrow keys.

Upon completion of all programming selections, save the selections by pressing the OK key. To return to the main display screen without saving the programming selections, press the X key.

## SERVICE CONTACT INFORMATION Key

Press the SERVICE CONTACT INFORMATION key to view the programmed service contact information.

13728

SERVICE CONTACT INFO

NAME  
Service Company

PHONE  
(XXX)XXX-XXX

EMAIL  
XXXXXXXX@XXXXXXXX.COM

X

Figure 31

## VIEW HELP Key

The View Help key is not functional at this time (future development).

## Loading Store Menu Items To USB

The same USB flash drive that was used to load software into the grill can be used to perform this procedure.

### Step 1

Remove the USB cable cap from the USB connector to access the USB port.

**Note:** Grills built prior to serial number M1035495 will require the front control panel be lowered to access the control display boards.

### Step 2

Insert the USB flash drive into the USB port.

### Step 3

Press and hold the PROGRAM key for 5 seconds to enter the Program Mode.

13733

Item 1	Item 2	Item 3	Item 4	Item 5
Item_				
				CLEAN
GRILL TEMPERATURES				
OFF	T-F	T-R	LP	PROGRAM

Figure 32

### Step 4

Enter the Operator Password "STORE1" and press the OK key.

13700

PASSWORD

STORE 1

1	2	3	4	5	6	7	8	9	0	Back
Q	W	E	R	T	Y	U	I	O	P	Del
A	S	D	F	G	H	J	K	L	←	→
Z	X	C	V	B	N	M	CASE			
SPACE										
X										OK

Figure 33

**Step 5**

Press the MENU EDIT key.

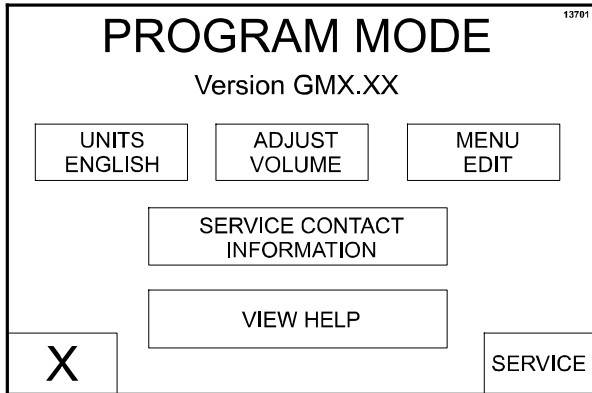


Figure 34

**Step 6**

Press the STORE MENU TO USB key.

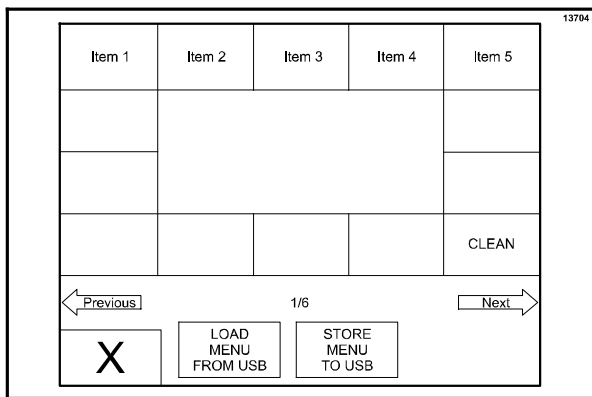


Figure 35

**Step 7**

Enter a file name (up to 8 characters) to save the menu items, using the keyboard displayed on the control. Press the OK key. The menu items are saved to the USB flash drive.

**Step 8**

Remove the USB flash drive from the USB port and reinstall the USB cable cap on the USB connector.

**Note:** Grills built prior to serial number M1035495 will require the front control panel be reinstalled.

## Loading Menu Items From USB

Once the proper software is loaded on the USB flash drive, the next control board can be programmed from the USB flash drive.

**Step 1**

Repeat Steps 1 through 5 from "Loading Store Menu Items to USB."

**Step 2**

Press the LOAD MENU FROM USB key.

**Step 3**

The control can display up to 5 different menu options loaded on the USB flash drive. Select the key for the correct menu to load. The control will display "DONE" at the bottom of the screen when the menu is loaded.

**Step 4**

Remove the USB flash drive from the USB port and reinstall the USB cable cap on the USB connector.

**Step 5**

To load menu items from the USB flash drive to another control board, repeat these software loading procedures.

**Note:** Grills built prior to serial number M1035495 will require the front control panel be reinstalled.

## Patty Placement & Removal

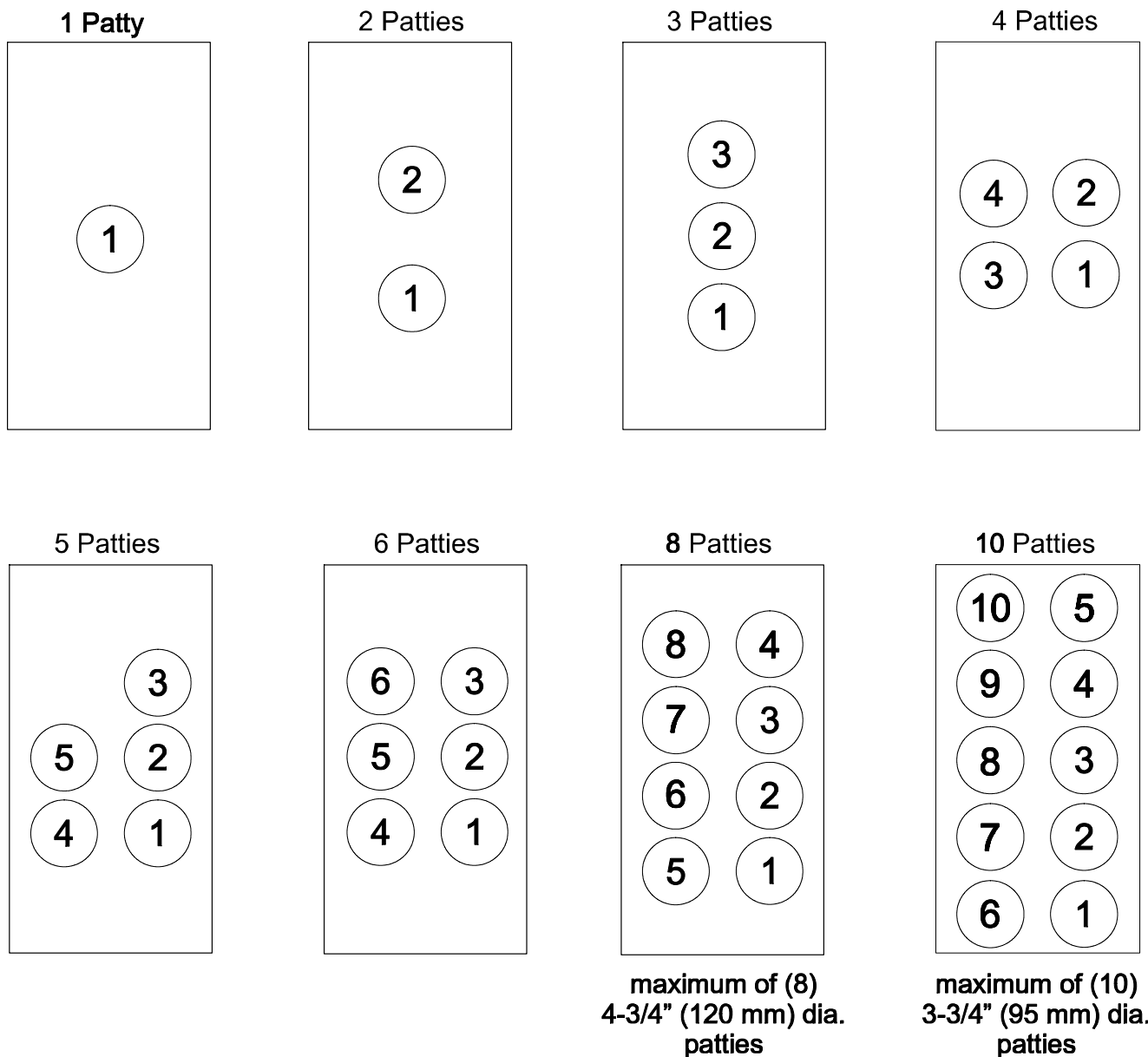
Placement procedures of meat products must be followed on the grill. The meat must be placed on the lower grill surface from front to back. When the cook cycle is complete, the upper platen will raise.

**Note: It is very important that all patties be removed from the lower grill surface in the same sequence that they were placed before cooking.**

Patties must be removed immediately after the upper platen has been raised to the OPEN position and after the meat has been seasoned.

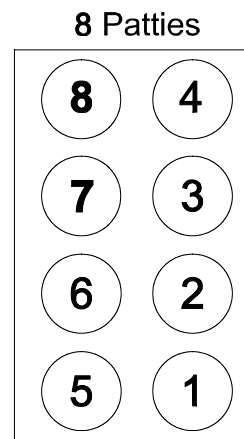
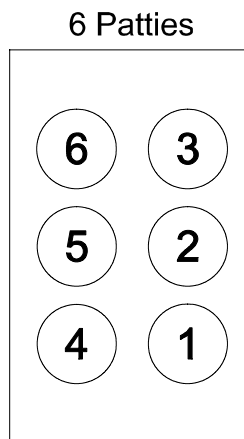
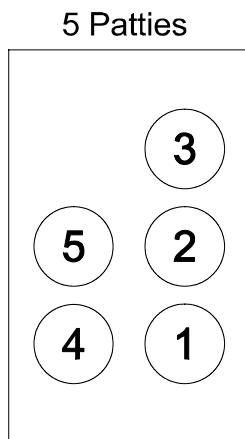
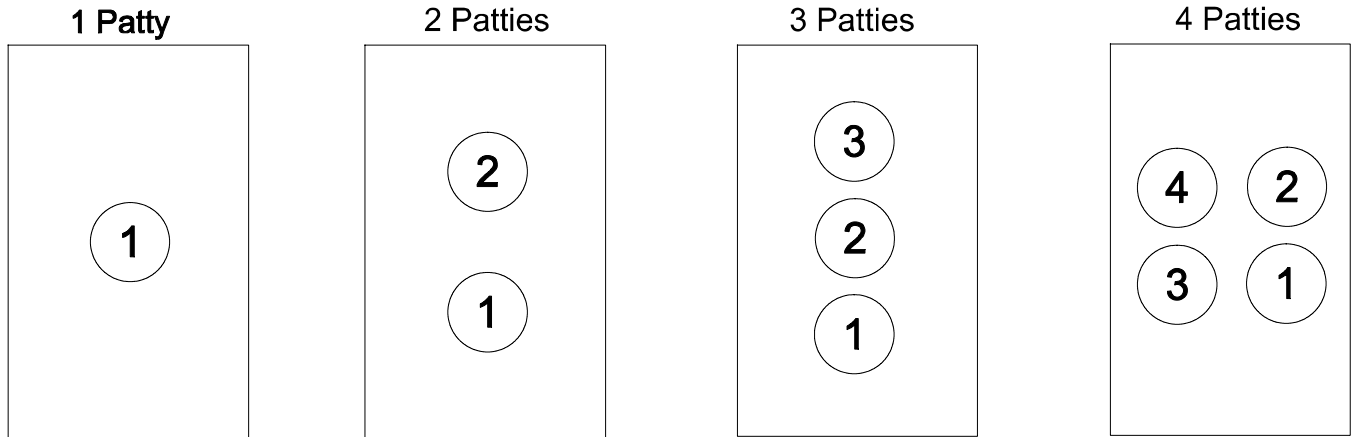
Patties are generally placed two at a time from front to back of grill and right to left. The removal order of the patties is shown in the diagrams by the number shown in the center of each patty.

### L Series Grills (Longer Platen Version)



**Patty Placement & Removal (continued)**

**C Series Grills (Shorter Platen Version)**



maximum of (6)  
4-3/4" (120 mm) dia.  
patties

maximum of (8)  
3-3/4" (95 mm) dia.  
patties

# Operating Procedures

## Cooking Product

### Step 1

Select the menu item to be cooked. The grill is at the correct temperature if the control does not display any temperature statements and the grill temperature indicators are green.

### Step 2

Quickly place the product on the lower grill surface, from front to back.

### Step 3

Press the STANDBY button once.

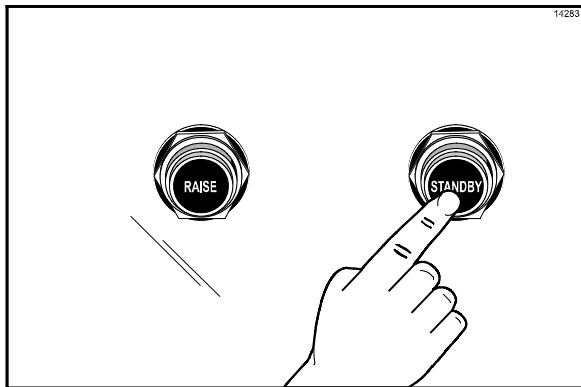


Figure 36

The display reads "MOVING DOWN" as the platen lowers to the cook surface.

During the cooking cycle, the display will show the name of the current menu item, "REMOVE IN", and the time remaining until the product should be removed.

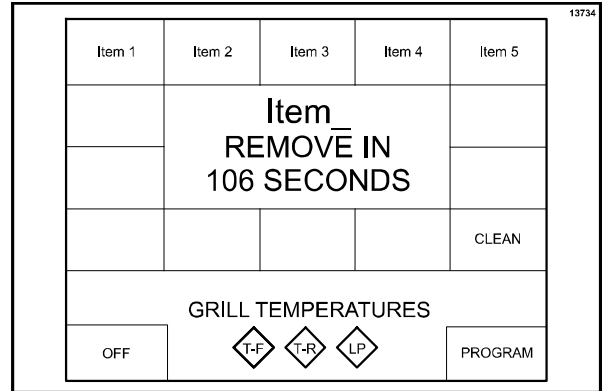


Figure 37

At the end of the cook cycle, the control will display "DONE", a tone will sound, and the platen will automatically raise.

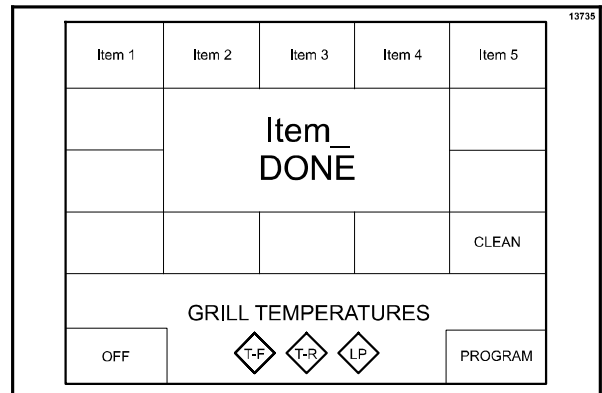


Figure 38

**Note:** To cancel a cook cycle at any time, press the RAISE button. A tone will sound and the display will read "CANCEL" for five seconds and then enter an IDLE mode.

## Standby Procedures

Whenever the grill is idle and product is not being cooked, the upper platen must be placed in the STANDBY position.

### Step 1

To place the upper platen in the STANDBY position, press the STANDBY button twice from the open position.

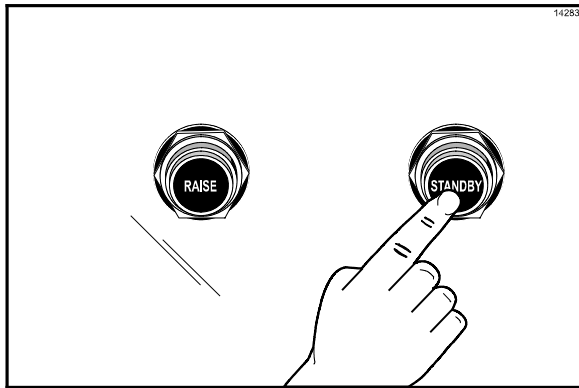


Figure 39

The control will display "GOING TO STANDBY" and then change to display "STANDBY".

### Step 2

To raise the upper platen to the OPEN position to resume cooking, press the RAISE button.

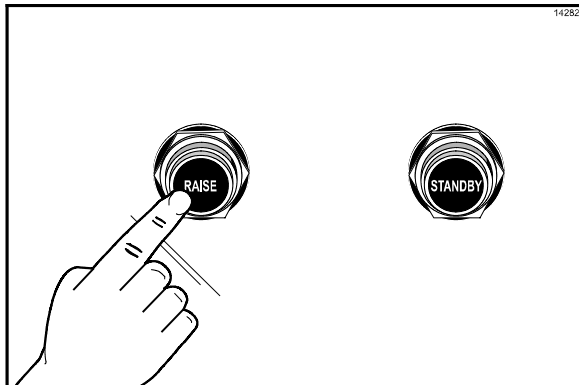


Figure 40



**CAUTION:** Never use force to raise the upper platen. Damage to components may result. Only use the RAISE button to open the upper platen!

## Menu Parameters

To view the settings and actual temperatures for the current item, press and hold the menu item key a minimum of 5 seconds. The screen will display the cook time, gap setting, temperature set points and actual temperature readings for each zone for that menu item.

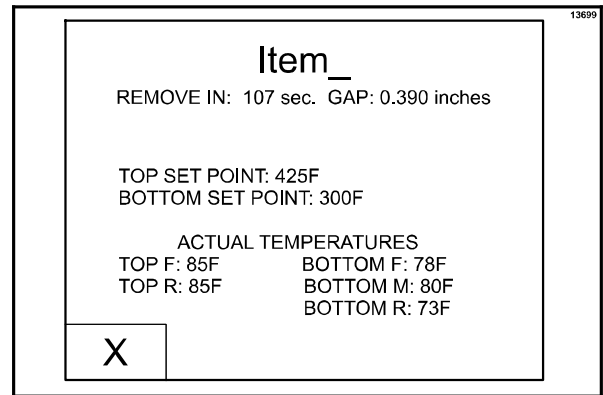


Figure 41

If a key is not pressed for 20 seconds, the grill control will return to the normal display. Pushing the "X" key will bring the display back to the main display page.

## Cleaning After Each Run of Product

### Step 1

Using the grill scraper, scrape the grease on the lower grill surface from front to back. **Do not** scrape across the rear of the lower grill surface with the grill scraper.

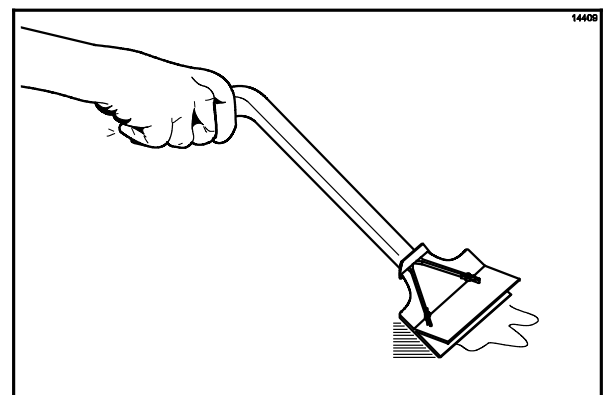


Figure 42



### Step 2

Use the wiper squeegee to clean the release sheet on the upper platen. Hold the handle at a slight upward angle. Use a downward motion to clean the sheet. (**Note:** Do not use excessive pressure when wiping the release sheet with the squeegee, as this can scratch or tear the release sheet.)

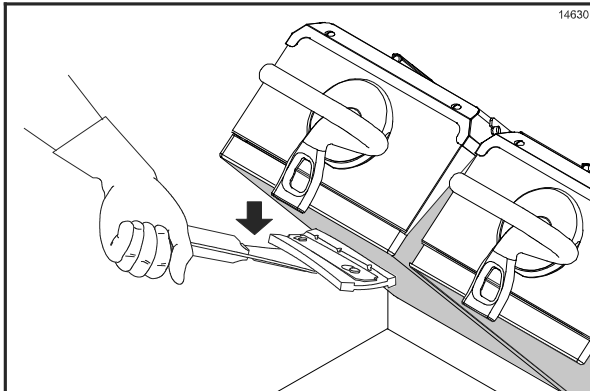
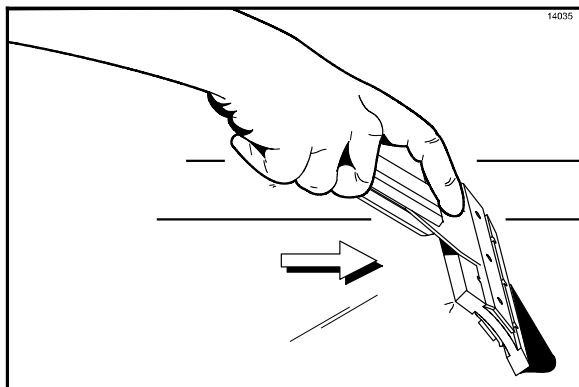


Figure 43

### Step 3

**Using the wiper squeegee**, push the grease at the rear of the lower grill surface into the grease can. **Do not** use the grill scraper for this step.



### Step 4

Use the grill cloth to clean the back splash plate and the bullnose areas as needed during operation.

**Note:** To increase the life of the release sheet, wipe it with a clean, sanitizer-soaked, folded grill cloth a minimum of **four times** every hour.



**CAUTION:** The upper platen surface is very **HOT!** To prevent burn injuries, use extreme caution when wiping the release sheet.

## Daily Cleaning Procedures

**Note:** The three platen Model L811 has been selected to illustrate the step-by-step procedures. For grills equipped with less than three platens, perform the following steps as appropriate for your grill platen configuration.

### Step 1

Raise the upper platen to the OPEN position by pressing the red RAISE button.

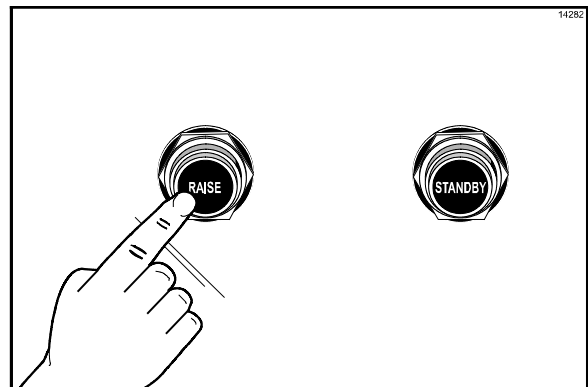


Figure 44



**CAUTION:** Never use force to raise the upper platen. Damage to components may result. Only use the RAISE button to open the upper platen!

**Note:** DO NOT turn the power switch to the OFF position while the platens are in the “down” position.

### Step 2

Press the CLEAN key. When the cook surfaces reach the proper temperature for cleaning, an alarm will sound and the message "READY TO CLEAN" will be displayed.

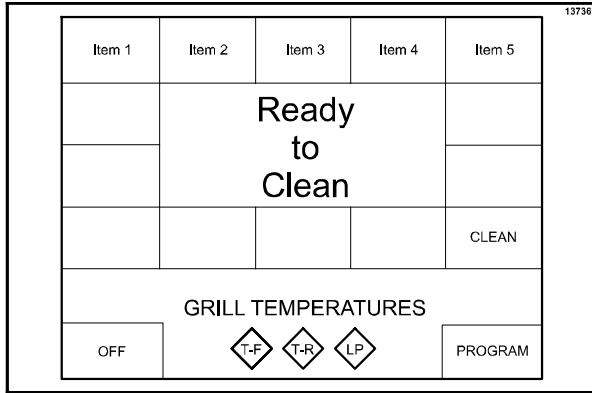


Figure 45

### Step 3

Press the RAISE button to cancel the alarm.

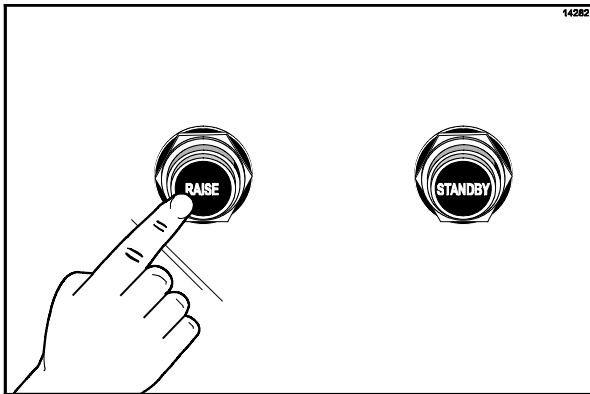


Figure 46

### Step 4

Put on heat-resistant gloves.

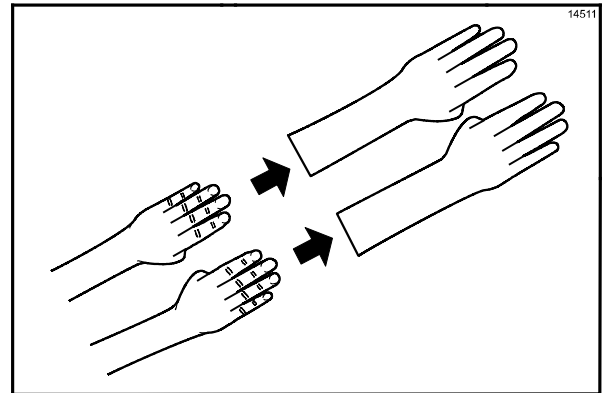


Figure 47



**CAUTION:** The upper platen surface and release sheets are very hot. To prevent burn injuries, use extreme care.

### Step 5

Wipe the exposed surface of the release sheets with a clean, sanitizer-soaked grill cloth.

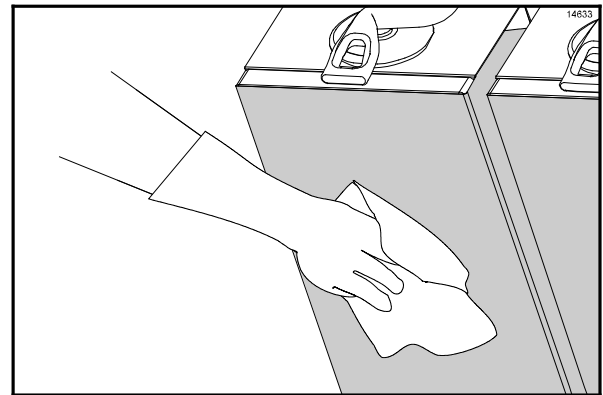


Figure 48

### Step 6

Remove the release sheet clip, release sheet retainer, and the release sheet. Take these parts to the sink to be washed and rinsed.

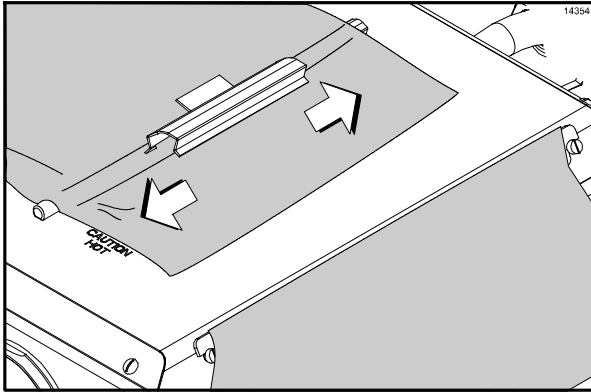


Figure 49

### Step 7

Repeat steps 1 through 6 for the remaining upper platen(s).

### Step 8

Wash and rinse the clips and retainers in the sink. Set them aside for future use.

### Step 9

Set the release sheets aside on a clean, flat surface next to the sink until further cleaning is performed. **DO NOT fold, crease, or place them on sharp objects.**

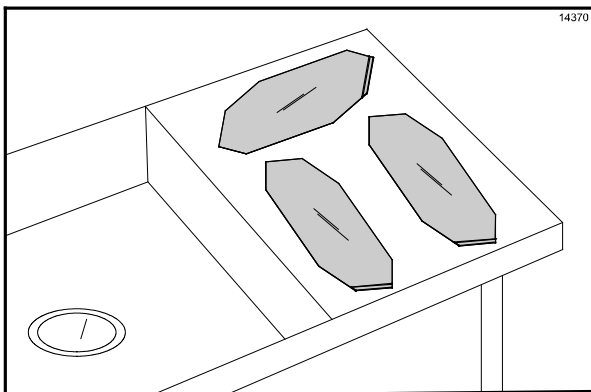


Figure 50

### Step 10

Scrape the **lower** grill surface with the grill scraper, from front to back.

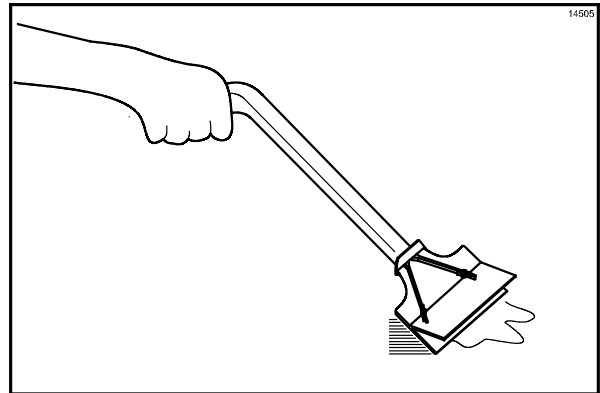


Figure 51

### Step 11

Use the wiper squeegee to push residual grease into the grease cans.

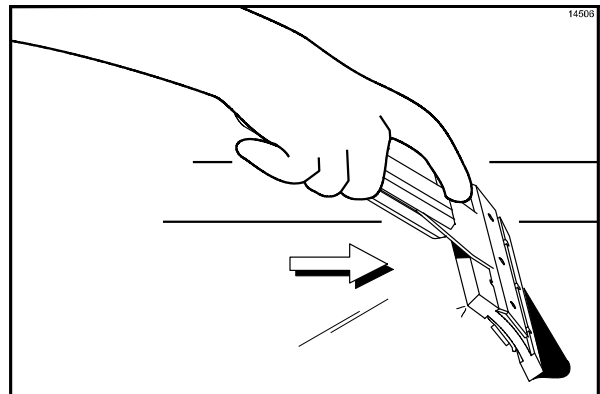


Figure 52

### Step 12

Remove, empty, and reinstall the grease cans.

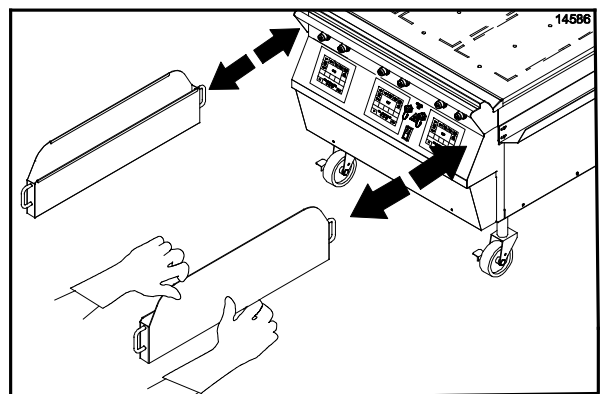


Figure 53

### Step 13

Using an approved high temperature grill cleaner, pour approximately 3 oz. (90 ml) onto each 12" (305 mm) cook zone.

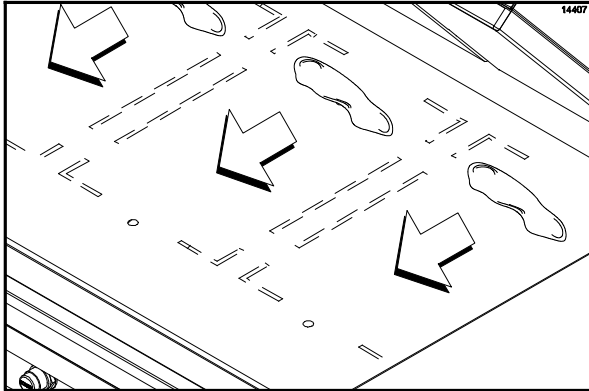


Figure 54

### Step 14

Firmly attach the non-abrasive pad to the grill cleaning pad holder.



**IMPORTANT!** Use the grill cleaning pad and holder identified on page 15 ONLY. Using any other pad and holder will damage the release sheets.

### Step 15

Dip the pad into the grill cleaner.

**IMPORTANT: DO NOT SCRUB** while applying grill cleaner in the following steps:

### Step 16

Apply grill cleaner to the front side of the upper platen.

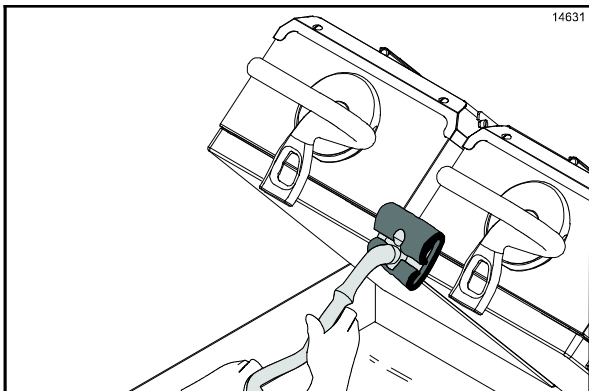


Figure 55

### Step 17

Apply grill cleaner to the bottom of the platen handles.

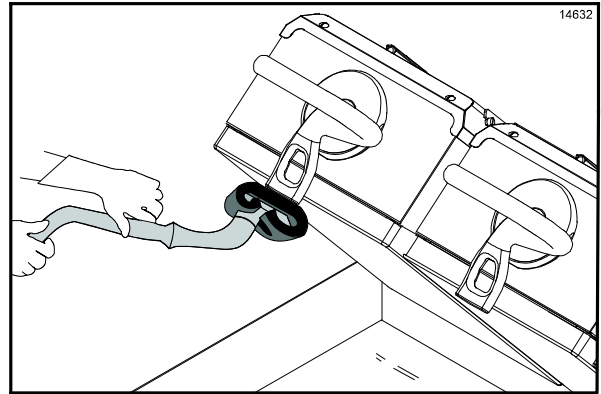


Figure 56



**DO NOT** use metal scrapers, abrasive pads, screens, or wire brushes. Damage to components may result.

### Step 18

Apply grill cleaner to the platen surfaces.

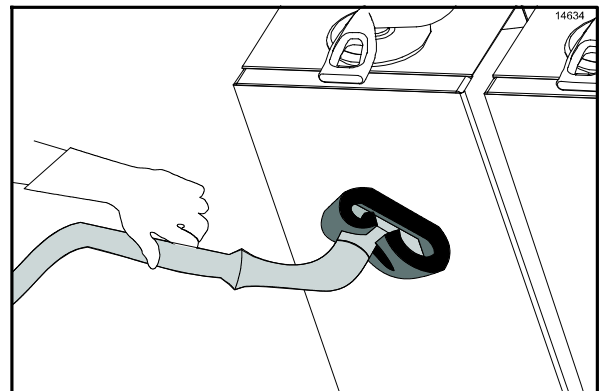


Figure 57

**Step 19**

Apply grill cleaner to the back side of the upper platens.

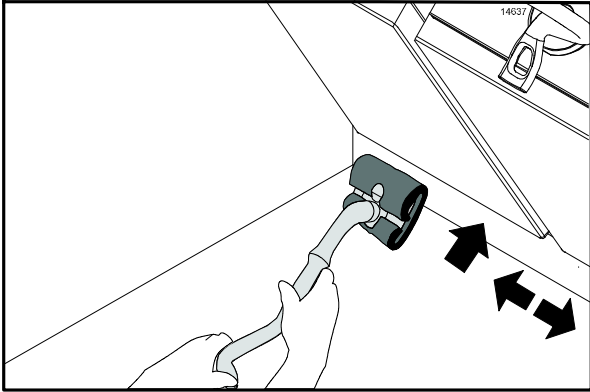


Figure 58

**Step 20**

Apply grill cleaner to the outer edges of the right and left platens.

**Step 21**

Press the STANDBY button twice to lower one of the platens.

**811 Only:** Press the STANDBY button twice to lower the center platen. Apply grill cleaner to both sides of the center platen.

**Step 22**

Apply grill cleaner to the inner edges of the right and left platens.

**Step 23**

Press the RAISE button to raise the lowered platen.

**Step 24**

Lightly scrub the front side of the platens and the bottom of the platen handles with the non-abrasive pad until all soil has been liquified by the grill cleaner. For stubborn soils, apply additional grill cleaner and lightly scrub. **Do not rinse the platens at this time.**

**Step 25**

Lightly scrub the platen surfaces.

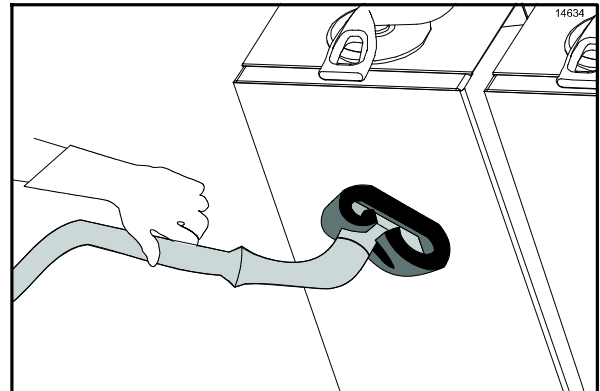


Figure 59

**Step 26**

Lightly scrub the back side of the upper platens.

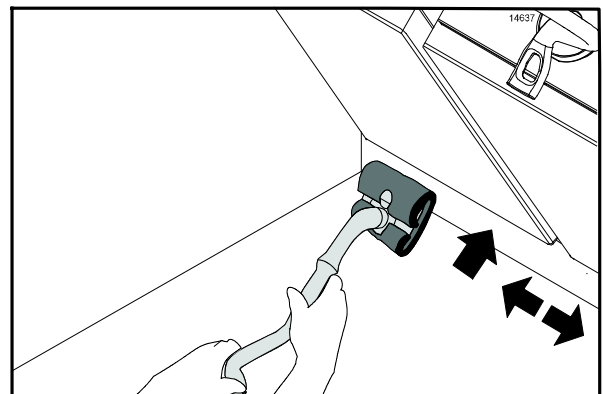


Figure 60

**Step 27**

Lightly scrub the outer edges of the right and left platens.

**Step 28**

Press the STANDBY button twice to lower one of the platens.

**811 Only:** Press the STANDBY button twice to lower the center platen. Lightly scrub both sides of the center platen.

**Step 29**

Lightly scrub the inner edges of the right and left platens.

**Step 30**

Press the RAISE button to raise the lowered platen.

**Step 31**

With a clean, sanitizer-soaked grill cloth, rinse the front, sides, and back of the platen surfaces.

**Step 32**

With a clean, sanitizer-soaked grill cloth, rinse the bottom of the platen handles, and the front, sides, and back of the platen surfaces.

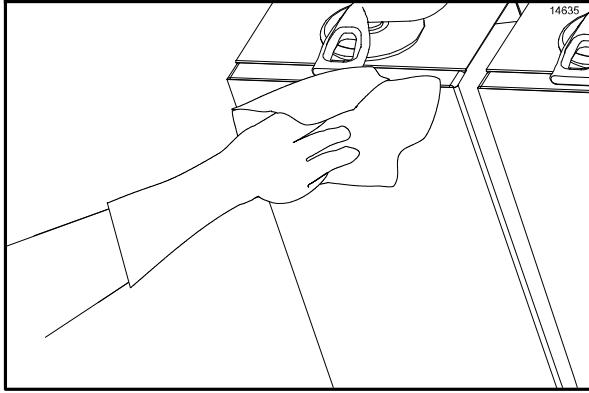


Figure 61

**Step 33**

With a clean, sanitizer-soaked grill cloth, rinse the platen cook surfaces.

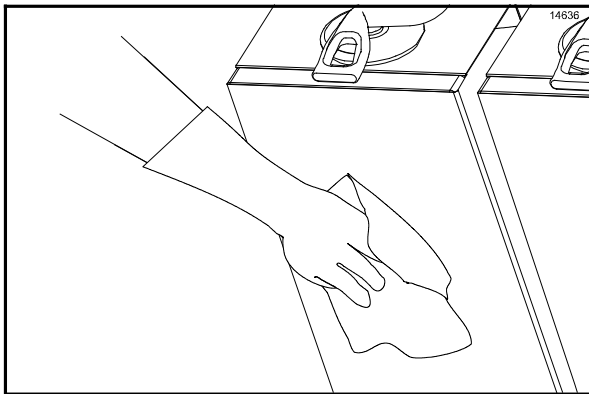


Figure 62

**Step 34**

Press the STANDBY button twice to lower one of the platens.

**811 Only:** Press the STANDBY button twice to lower the center platen. With a clean, sanitizer-soaked grill cloth, rinse both sides of the center platen.

**Step 35**

With a clean, sanitizer-soaked grill cloth, rinse the inner edges of the right and left platens.

**Step 36**

Press the RAISE button to raise the lowered platen.

**Step 37**

With a clean, sanitizer-soaked grill cloth, wipe the exterior of all the platens, especially behind the rear of the upper platens (next to the arm assembly).

**Step 38**

Starting at the back of the lower grill, spread the remaining grill cleaner over the entire surface. **Do not scrub while applying product.**

**Step 39**

Lightly scrub the surface with the non-abrasive pad until all soil has been liquified by the grill cleaner.

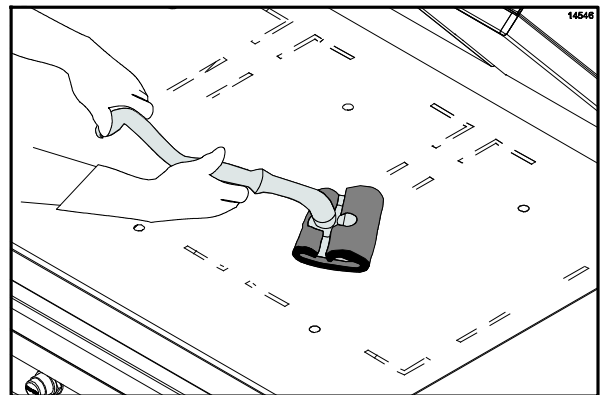


Figure 63

**Note:** The rear of the upper platen, as well as the tubular arm, can easily be wiped from the front of the unit. If cleaning is performed on a daily basis, there should be no carbon build-up.

**IMPORTANT!**







**DO NOT** use a jet of water to clean or rinse the grill.



**DO NOT** use cold water or ice to cool the upper platen or the lower cook surface.

Failure to follow these instructions may result in:

-  serious electrical shock
-  burns from hot steam
-  liquid collecting inside the grill and destroying electrical components
-  damaged cook surfaces

**Step 40**

Carefully pour warm water on the lower grill surface, starting from the back to the front. Use the squeegee to remove the cleaner from the grill surface.

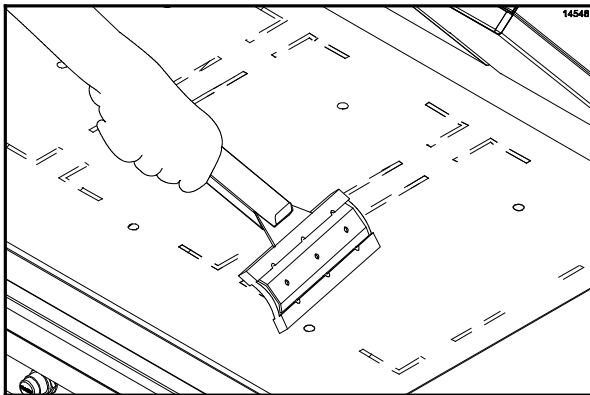


Figure 64



**To avoid damaging the grill:**

- Never use grill screens on the upper platen or the lower grill surface.
- Never use any abrasives or cleaners other than the approved cleaner.
- Never allow the grill scraper or the abrasive cleaning materials to come in contact with the release sheet.

**Step 41**

Pour a small amount of lukewarm water on a clean, sanitizer-soaked grill cloth, while holding it over the lower grill surface. Wipe the lower grill surface until all residue is removed.

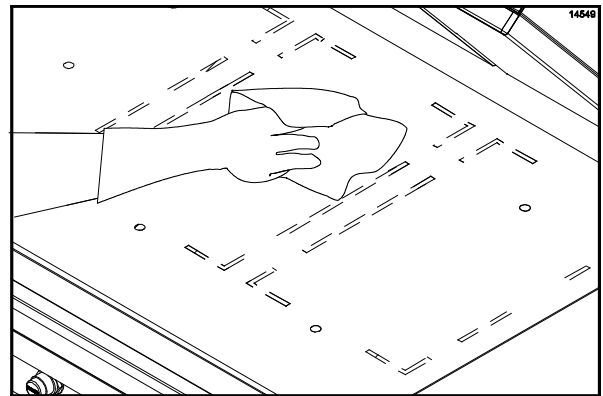


Figure 65



**IMPORTANT! Step 42 must be performed using the grill cleaning pad and holder identified on page 15 ONLY.** Using any other pad and holder will damage the release sheet.

**Note:** Contact your local Taylor Distributor to purchase the correct grill cleaning pad and holder. (See page 15.)

**Step 42**

Place the release sheets flat on the lower grill surface. Gently clean both sides of the sheets with an approved high temperature grill cleaner and the grill cleaning pad and holder.

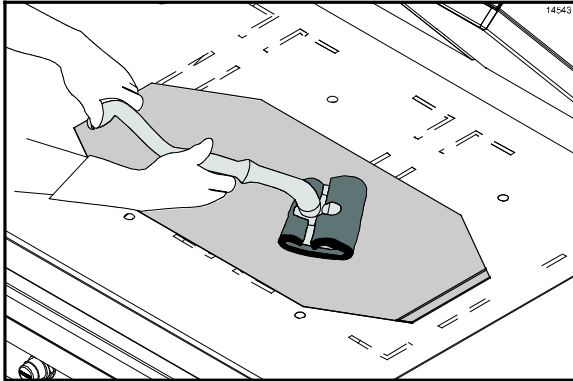


Figure 66

**Step 43**

Rinse both sides of the release sheets with a clean, sanitizer-soaked grill cloth.

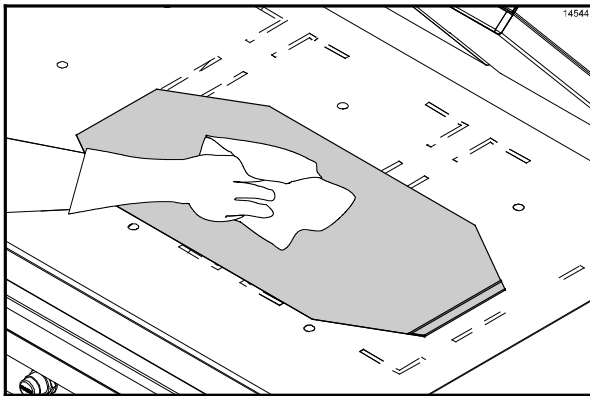


Figure 67

**Step 44**

Place the release sheets on a clean, sanitized, flat surface to air dry overnight.

**Step 45**

Wipe the lower grill surface with a clean, sanitizer-soaked grill cloth. Repeat until no visible soil remains.

**Step 46**

Remove and empty the grease cans.

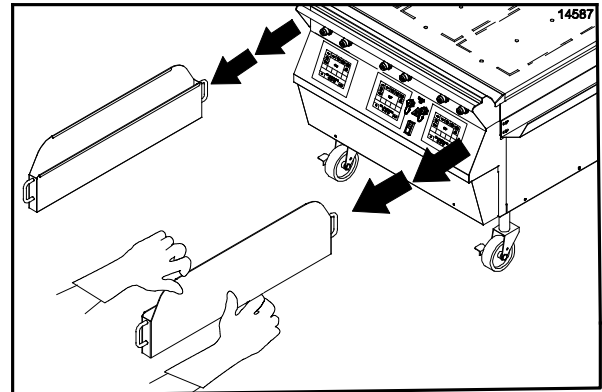


Figure 68

**Step 47**

Wash, rinse, and reinstall the grease cans.

**Step 48**

Wipe all areas with a clean, sanitizer-soaked grill cloth.

**Step 49**

Wipe all exterior panels.

**24 Hour Stores Only:****Step 48**

Re-install the release sheets on the opposite side than previously used. Secure the sheets with the release sheet clips and retainers. Start up the grill per instructions starting on page 17.

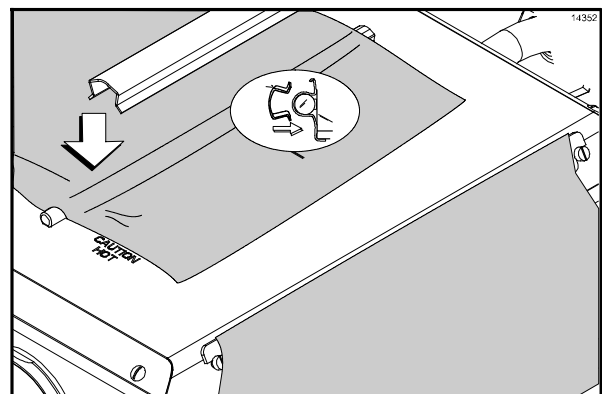


Figure 69



## Non-24 Hour Stores Only:

### Step 50

Apply a light coat of vegetable oil to the entire **lower** grill surface.

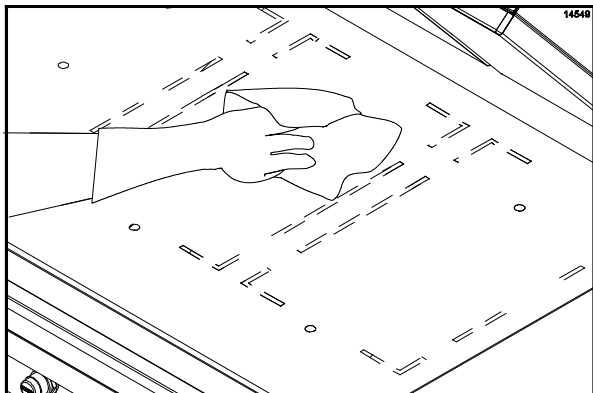


Figure 70

### Step 51

Leave the upper platens in the OPEN position overnight.

### Step 52

Place the power switch in the OFF position.

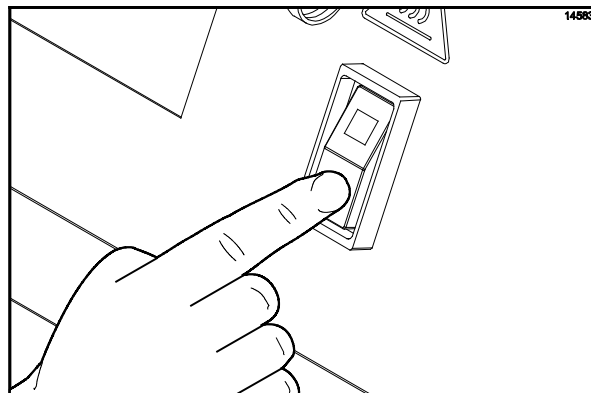


Figure 71

# Section 7

# Troubleshooting Guide

PROBLEM	PROBABLE CAUSE	REMEDY
1. One side of the grill will not heat. The control will display the message, "PROBE FAULT".	a. One power connection is not connected.	a. Check the power connection.
	b. The restaurant circuit breaker has tripped.	b. Reset the restaurant circuit breaker.
	c. The contactor is faulty.	c. Call a service technician.
	d. The heater is faulty.	d. Call a service technician.
	e. The high limit switch is faulty.	e. Call a service technician.
	f. The solid state relay is faulty.	f. Call a service technician.
2. One heat zone will not heat. The display reads "TOO COOL".	a. The interface board is faulty.	a. Call a service technician.
	b. The solid state relay is faulty.	b. Call a service technician.
	c. The control harness is faulty.	c. Call a service technician.
3. One of the heat zones is overheating. The display reads "TOO HOT".	a. The interface board is faulty.	a. Call a service technician.
	b. The solid state relay is faulty.	b. Call a service technician.
4. The grill will not turn on when power switch is placed in the ON position.	a. The restaurant circuit breaker has been tripped.	a. Reset the circuit breaker.
	b. The control cord is not connected properly.	b. Reconnect the cord.
	c. The fuse in the control box is faulty.	c. Call a service technician.
	d. The power switch is faulty.	d. Call a service technician.
5. The upper platen will not stay in the STANDBY mode, but will stay in the COOK position.	a. Incorrect use of the STANDBY button.	a. Press STANDBY button within five seconds of lowering the platen into the COOK position.
	b. Faulty wire connections.	b. Call a service technician.

<b>PROBLEM</b>	<b>PROBABLE CAUSE</b>	<b>REMEDY</b>
6. The upper platen will not stay in the COOK or STANDBY position.	a. Temperature is insufficient to satisfy the indicator LED's.	a. Wait until the indicator LED's turn green.
	b. The control harness is faulty.	b. Call a service technician.
	c. The interface board is faulty.	c. Call a service technician.
	d. The latch switch is faulty.	d. Call a service technician.
	e. The latch solenoid is faulty.	e. Call a service technician.
	f. The processor control is faulty.	f. Call a service technician.
	g. The pneumatic system is faulty.	g. Call a service technician.
7. The upper platen will not stay in the COOK position, but will stay in the STANDBY mode.	a. The product is out of specification.	a. Product must be within specification (proper thickness, shape, etc.).
	b. The processor control is not set properly.	b. Call a service technician.
8. The upper platen opens too rapidly.	a. The orifice/check valve is incorrect or missing.	a. Call a service technician.
9. The display reads "PLATEN NOT LATCHED".	a. The pneumatic system is faulty.	a. Call a service technician.
	b. The latch switch is faulty.	b. Call a service technician.
	c. The latch solenoid is faulty.	c. Call a service technician.
10. The display reads "UPPER PLATEN STUCK".	a. The arm bearings are dirty.	a. Call a service technician.
	b. The air cylinder is faulty.	b. Call a service technician.
	c. Plugged air lines to cylinders.	c. Call a service technician.

<b>PROBLEM</b>	<b>PROBABLE CAUSE</b>	<b>REMEDY</b>
11. The platen will not lower to preset gap height.	a. Excessive carbon build-up on the shields.	a. Follow closing procedures to properly clean and remove carbon build-up from the shields.
	b. Defective motor interface board.	b. Call a service technician.
	c. Loose harness connections.	c. Call a service technician.
	d. Defective main display controller.	d. Call a service technician.
	e. Defective motors and cables.	e. Call a service technician.
12. The product is under-cooked or overcooked.	a. The release sheet is worn.	a. Replace the release sheet.
	b. Incorrect cooking time.	b. Reset the processor control for the correct time.
	c. Incorrect temperature setting.	c. Adjust the processor control to the proper setting.
	d. The upper platen or lower grill surface is not clean and/or has carbon build-up.	d. Follow closing procedures to properly clean the upper platen and the lower grill surface and to remove carbon build-up.
	e. There is a grease or carbon build-up on the bottom of the upper platen handles.	e. Follow closing procedures to properly clean and remove carbon build-up from the bottom of the platen handles.
	f. The preset gap height is incorrect.	f. Call a service technician.
	g. The heating zone is not heating.	g. Call a service technician.

<b>PROBLEM</b>	<b>PROBABLE CAUSE</b>	<b>REMEDY</b>
13. The product is not cooking evenly.	a. The upper platen or lower grill surface is not clean and/or has carbon build-up.	a. Follow closing procedures to properly clean the upper platen and the lower grill surface and to remove carbon build-up.
	b. There is a grease or carbon build-up on the bottom of the upper platen handles.	b. Follow closing procedures to properly clean and remove carbon build-up from the bottom of the platen handles.
	c. The release sheet is worn.	c. Replace release sheet.
	d. The product is out of specification.	d. Product must be within specification (proper thickness, shape, etc.).
	e. The platen is not level.	e. Call a service technician.
	f. The preset gap height is incorrect.	f. Call a service technician.
	g. Air pressure is not high enough.	g. Call a service technician.
14. The display reads "PROBE OPEN" and displays the specific zone.	a. The thermocouple or the thermocouple interface board is faulty.	a. Call a service technician.
15. The display reads "HOME SWITCH STUCK ON."	a. Two sided cooking options are blocked.	a. Turn the control off and then back on to clear the fault.
	b. Defective stepper motor.	b. Call a service technician.
	c. Defective stepper motor wire harness.	c. Call a service technician.
	d. Defective home switch.	d. Call a service technician.
	e. Defective motor control.	e. Call a service technician.
16. The display reads "HOME SWITCH NOT SEEN."	a. Defective motor control.	a. Call a service technician.
	b. Defective stepper motor.	b. Call a service technician.
	c. Defective stepper motor wire harness.	c. Call a service technician.
	d. Defective home switch.	d. Call a service technician.
	e. Broken platen cable.	e. Call a service technician.

## GAS ZONES ONLY

PROBLEM	PROBABLE CAUSE	REMEDY
1. The display reads "BLOWER FAILURE".	a. The blower is faulty.	a. Call a service technician.
	b. The pressure switch is faulty.	b. Call a service technician.
2. The burner will not light. The display reads "IGNITION FAILURE".	a. The quick disconnect gas hose is not fully engaged.	a. Re-engage the quick disconnect.
	b. The manual shutoff valve is in the OFF position.	b. Turn the valve to the ON position.
	c. Air is in the gas hose.	c. Wait 5 minutes before relighting.
	d. The processor control is faulty.	d. Call a service technician.
	e. The spark ignition module is faulty.	e. Call a service technician.
	f. The gas solenoid is faulty.	f. Call a service technician.
	g. The electrode is faulty.	g. Call a service technician.
	h. The interface board is faulty.	h. Call a service technician.
3. The burner lights but will not stay lit.	a. The electrode is faulty.	a. Call a service technician.
	b. Improper ground.	b. Call a service technician.
4. The burner lights but the zone is cool or overheats.	a. The grill is out of calibration.	a. Call a service technician.
	b. The processor control is faulty.	b. Call a service technician.
	c. The thermocouple is faulty.	c. Call a service technician.

# Section 8

# Warranty Explanation

---

## Class 103 Parts

The warranty for new equipment Class 103 parts is one year from the original date of unit installation, with a replacement parts warranty of three months.

## Class 212 Parts

The warranty for new equipment Class 212 parts is two years from the original date of unit installation, with a replacement parts warranty of twelve months.

## Class 512 Parts

The warranty for new equipment Class 512 parts is five years from the original date of unit installation, with a replacement parts warranty of twelve months.

## Class 000 Parts

Class 000 parts are considered wear items - no warranty.

## Class \*\*\* Parts

See warranty explanation on the back of the check-out card.

**CAUTION:** Warranty is valid only if the parts are authorized Taylor parts, purchased from an authorized Taylor Distributor, and the required service work is provided by an authorized Taylor service technician.

Taylor reserves the right to deny warranty claims on equipment or parts if non-approved parts or refrigerant were installed in the machine, system modifications were performed beyond factory recommendations, or it is determined that the failure was caused by neglect or abuse.

# Section 9

# Parts List

DESCRIPTION	PART NUMBER	C811 QTY.	L811 QTY.	WARR. CLASS	REMARKS
<b>C81123N000 &amp; L81123NW00 NATURAL GAS - 3 PLATEN GRILLS</b>					
ACTUATOR-HOME SWITCH	079792	3	3	103	
ADAPTOR-HI TEMP 1/4X1/4 OD	058769-2	1	1	103	
ADAPTOR	076745	3	3	103	
BACKSPLASH A. *C810*	X73971	1	1	103	C811 S/N M1073522 & UP - C813 S/N M1123917 & UP
BACKSPLASH A.	X72954	1		103	C811 S/N M1073521 & PRIOR
BAR A.-RELEASE MATERIAL	X72843	3		103	PLATEN COVER
+NUT-10-32 WHIZ FLANGE LOCKNUT	020983	6		000	
+SCREW-SHOULDER 10-32X1/4X.125L	072849	6		103	
BAR A.-RELEASE MATERIAL	X80592		3	103	
+NUT-10-32 WHIZ FLANGE LOCKNUT	020983		6	000	
+SCREW-SHOULDER 10-32X1/4X.125L	072849		6	103	
BAR-BELLY	075663-SP	1	1	103	
+WASHER-3/8 USS FLAT CR3	000653	2	2	000	
+SCREW-3/8-16X1 HEX HEAD CAP	079145	2	2	000	
BASE-ADJUSTER 3/8-24 LF/RR	072500-SER	6	6	103	
BASE-ADJUSTER 3/8-24 LR/RF	072501-SER	6	6	103	
BEARING 3/4 ID-SELF ALIGN	078730	6	6	103	
BEARING-FLANGE 3/4 X 15/16	077042	12		000	
BEARING-FLANGE 5/8 X 15/16	080648		12	000	
BEARING .753 X 1.000 X 2.000	072541	6		000	
BEARING .628 X .813 X 2.0	080647		6	000	
BLOCK-CONTACT 1 NO	076013	6	6	103	CONTROL SWITCH
BLOCK-TERMINAL 1P	073423	4	4	103	UPPER CONTROL
BLOCK-TERMINAL 2P .25 SPD-24X	073033	1	1	103	
BLOCK-TERMINAL 3P 20A, 300V	051331	4	4	103	
BRACKET-PIVOT	076451	3	3	103	
BULLNOSE A.*C810*	X73975	1	1	103	C811 S/N M1073522 & UP
BULLNOSE A.	X73023	1		103	C811 - S/N M1073521 & PRIOR
BURNER-I.R.	073334	3	3	103	
+BRACKET-BURNER *C845* SIDE	073010	6	6	103	



DESCRIPTION	PART NUMBER	C811 QTY.	L811 QTY.	WARR. CLASS	REMARKS
+BRACKET-BURNER *C845*-SHORT	073016	6	6	103	
BUSHING-FLG .627IDX.12W OILITE	052394	6	6	103	
BUSHING-SNAP 11/16 ID X 7/8OD	010548	6	6	103	
BUSHING-SNAP 1-3/8ID X 1-3/4OD	027712	5	5	000	
BUSHING-SNAP 3/4ID X 1"OD BLK	053144	3	3	000	
BUSHING-SNAP 5/8ID X 3/4OD-BLK	017462	1	1	000	
BUSHING-SNAP .391 ID X.500 OD	073910	6	6	103	
BUTTON-OPERATOR-BLACK	076012	3	3	000	
BUTTON-OPERATOR-RED	076011	3	3	000	
CABLE-PLATEN-FRONT	073252	6	6	103	
CABLE-PLATEN-F-REAR *C810*	080587		6	103	
CABLE-PLATEN-F-REAR	073251	6		103	
CAN A.-GREASE *C810* HEM	X80925	2	2	103	5/2012 REPLACES X73944
+SLIDE-GREASE CAN *C810* RIGHT	069935	1	1	103	
+SLIDE-GREASE CAN *C810* LEFT	069936	1	1	103	
CARD-CHECKOUT GEN MKT INF GAP	073484	1	1	103	
CARD-INSTALL-GAS GRILL C811	073619	1	1	103	
CASTER-5" 7-5/8 STEM	078377	2	2	103	
CASTER-GRILL 5" SWIVEL W/LOCK	073240	2	2	103	
CLEVIS-ROD 1/2-20 THD	079777	3	3	103	
COMPRESSOR-AIR-230V SERV	032129SER2	1	1	212	
+ADAPTOR-HI TEMP 1/4X1/4 OD	058769-2	1	1	103	
+FITTING-HI TEMP 1/4X1/4 OD 9	058771-2	1	1	103	
+MANIFOLD A.*C842*	072695	1	1	103	
+SWITCH-PRESSURE 240V,3HP	077879-C	1	1	103	
+TUBE-TEFLON .188IDX.250OD	R403022	10'	10'	000	
+TEE-1/4FPT X 1/4MPT X 1/4FPT	021277	1	1	103	
+TEE-HI TEMP 1/4X1/4 OD	058770-2	1	1	103	
+TANK-ACCUMULATOR 10LB-NPT	078820	1	1	103	
+VALVE-CHECK 1/4MP	020959	1	1	103	
CONTROL-GRILL TOUCH PAD----->					*SEE - KIT A.-GRILL CONTROL-GEN MRKT
CONTROL-HI-LIMIT 450F RESET	070279	3	3	103	
CONTROL-IGNITOR UTC *M35*	X70301-02S	3	3	103	

DESCRIPTION	PART NUMBER	C811 QTY.	L811 QTY.	WARR. CLASS	REMARKS
+WIRE A.-IGNITOR *C845*	X73147-12	3	3	103	
CONTROL-LIMIT W/SCREWS	078721	3	3	103	PLATEN
CONTROL-MOTOR *C811*	X69621-SER	3	3	212	
COVER A.-PLATEN *C810* W/RELEASE BAR	X73256	3		103	
COVER A.-PLATEN *C810*	X80589		3	103	
COVER A.-USB WATERPROOF	068583	3	3	103	1/17/2012 REPLACES 073963
COVER-FRONT *C811*	073963	1	1	103	
CORD A.-POWER-250V-30A 4 WIRE	073668	1	1	103	
CYLINDER-AIR 6IN STROKE C/C	079160	3	3	103	
DEFLECTOR A.-FLUE *C811*	X69555	1	1	103	C811 S/N M1073522 & UP
DEFLECTOR A.-FLUE *C811*	X73510	1		103	C811 S/N M1073521 & PRIOR
DIAGRAM-WIRING *C811*	073475-23	1	1	000	
ELECTRODE	073810	3		103	C811 S/N M1073522 & UP
ELECTRODE	073409	3		103	C811 S/N M1073521 & PRIOR
ELECTRODE-GAS PILOT	080879		3	103	
DIODE A.-50 PIV 1A	X73673	3	3	000	
E-RING 1/4 BLACK PHOS	032190	6	6	000	
E-RING-3/4 STEEL	077046	12	12	000	
ELECTRODE-GAS PILOT	080879	3	3	103	
FAN-BLOWER 60CFM 120/230 VAC	079326-12	3	3	103	
FASTENER-SNAP IN 1/4X15/16	078329	24	24	000	
FILTER-CORCOM 6EH1	040140-001	3	3	103	
FITTING-1/4MPTX1/4OD TUBE 90DG	052560-2	6	6	103	
FITTING-DIFFUSER 1/4 MPT	072695-8	1	1	103	
FORM-QUALITY REPORT BY FAX	065712	1	1	000	
FUSE-10 AMP BK/MDA-10-R	079837-10	1	1	000	
+HOLDER-FUSE-15 A, 250 V	076299	1	1	103	
GAUGE-130 PSI 1/8 MPT BACK MNT	072695-3	1	1	103	
GASKET-BRAIDED-HI TEMP	R70113	15'	15'	000	
GASKET-CONTROL *C842*	072914	3	3	000	
GASKET-FLUE *C845*	073419	2	2	000	
GASKET-FRONT SHROUD	072983	1	1	000	
GASKET-FRONT VIEW PORT *C845*	072985	3	3	000	

DESCRIPTION	PART NUMBER	C811 QTY.	L811 QTY.	WARR. CLASS	REMARKS
GUARD-FAN	028534-1	1	1	103	
GUIDE-PATY PLACEMENT GEN MKT	073440	1	1	103	
HANDLE-PLATEN	073250	3		103	
HANDLE-PLATEN	080588-B		3	103	
HARNESS A.-COMP. VALVE *C842*	X72743	1	1	103	
HARNESS A.-MOTOR *C820*	073892	3	3	103	
HARNESS-12V-NEGATIVE-BOARD	073427	1	1	103	
HARNESS-12V-POSITIVE-BOARD	073428	1	1	103	
HARNESS-BLOWER	073608	3	3	103	
HARNESS-COMPRESSOR *C845/C81	073422	1	1	103	
HARNESS-FAN *C819*	069716	2	2	103	
HARNESS-FAN *C819*	069717	2	2	103	
HARNESS-GAS VALVE	073426	1	1	103	
HARNESS-GAS VALVE TREE	073437	1	1	103	
HARNESS-HIGH LIMIT C845/C811	073471-L	1	1	103	
HARNESS-HIGH LIMIT C845/C811	073471-M	1	1	103	
HARNESS-HIGH LIMIT C845/C811	073471-R	1	1	103	
HARNESS-IDC BOARD	073429-L	1	1	103	
HARNESS-IDC BOARD	073429-M	1	1	103	
HARNESS-IDC BOARD	073429-R	1	1	103	
HARNESS-IGNITOR-GROUND	073438	1	1	103	
HARNESS-MC BOARD SUPPLY-24V	073460	1	1	103	
HARNESS-PCB/GR SWITCH *C832*	072529	3	3	103	
HARNESS-POWER SUPPLY-NEG	073436	1	1	103	
HARNESS-PRESSURE SWITCH	073444	1	1	103	
HARNESS-SSR-LEFT*C845*	073095	1	1	103	CONTROL A.- UPPER
HARNESS-SSR-MIDDLE*C845	073096	1	1	103	CONTROL A.- UPPER
HARNESS-SSR-RIGHT*C845*	073097	1	1	103	CONTROL A.- UPPER
HARNESS-SWITCH	073425	1	1	103	
HARNESS-TOUCH-CONTROL*C810-11*	073369	3	3	103	
HARNESS-TRANSFORMER A.-115V	073454	1	1	103	
HOSE ASSEMBLY-FLEXIBLE GAS	073941	1	1	103	
HOSE-BEV.-250IDX.438OD-100'	R30317	5'	5	000	TUBE-NYLOBRADE 1/4ID X 7/16OD

DESCRIPTION	PART NUMBER	C811 QTY.	L811 QTY.	WARR. CLASS	REMARKS
+CLAMP-HOSE 7/16-WIRE DICHROMAT	051742	3	3	000	
INSULATOR-TEFLON-2 HOLE	079810	9	9	000	
INSULATION-SHROUD*C845*IN	073106	3	3	000	
KIT A.-3FT RESTRAIN CABLE	074948	1	1	103	
KIT A.-ACCESSORY*INF GAP GEN	X73459	1		000	
CLIP-RELEASE MATERIAL-W/TAB	072673	6		000	
RETAINER-SHEET RELEASE *C842*	072845	3		103	
SCRAPER-TEFLON WIPER	075887	1		000	
SCREW-10-32X3/8 SLTD TRUSS	024298	9		000	
SCREW-3/8-16X1 HEX HEAD CAP	001082	2		000	
SHEET-RELEASE BOX(9) GEN MRK	073442	1		000	
STRIP-REPLACEMENT	075888	1		000	
WASHER-3/8 USS FLAT CR3	000653	2		000	
KIT A.-ACCESSORY*LONG PLTN*	X80680		1	000	
CLIP-RELEASE MATERIAL-W/TAB	072673		6	000	
RETAINER-SHEET RELEASE *C810	080594		3	103	
SCRAPER-TEFLON WIPER	075887		1	000	
SCREW-10-32X3/8 SLTD TRUSS	024298		9	000	
SCREW-3/8-16X1 HEX HEAD CAP	001082		2	000	
SHEET-RELEASE *C810*	080595		1	000	
STRIP-REPLACEMENT	075888		1	000	
WASHER-3/8 USS FLAT CR3	000653		2	000	
KIT A.-GRILL CONTROL-GEN MRKT	X73474-SER	3	3	312	REPLACES X73274-SER
KIT A.-GREASE SHIELD*	X78330-SER	3	3	000	
LABEL-CONTROL COMPONENTS	073443	1	1	000	
LABEL-ELEC-CAUTION	075484	1	1	000	
LABEL-WARN GRILL MCD AUTH SVC	072658	3	3	000	
LENS-MICA *C845*	072986	3	3	000	
LINE A.-GAS-CENTER *C811*	X81005	1	1	103	
LINE A.-GAS-LEFT *C811*	X81004	1	1	103	
LINE A.-GAS-RIGHT *C811*	X81006	1	1	103	
MANIFOLD A.-*C845* GAS	X73109-02	1	1	103	
ELBOW-3/8 MPT X 5/16	076370	3	3	103	

DESCRIPTION	PART NUMBER	C811 QTY.	L811 QTY.	WARR. CLASS	REMARKS
FITTING-CROSS 3/8FPT-BLACK	078906	1	1	103	
FITTING-REDUCER-1/2FPT-3/8FPT	077364	1	1	103	
PLUG-3/8MPT-BLACK	078907	1	1	103	
VALVE-GAS REDUNDANT 3-1/2 WC	079329-02	3	3	103	MANIFOLD A.-GAS
MANIFOLD A.-*C842*	072695	1	1	103	
FITTING-SWIVEL ELBOW 1/4 OD	072695-5	3	3	103	
FITTING-SWIVEL ELBOW 1/4 OD	072695-6	1	1	103	
FITTING-DIFFUSER 1/4 MPT	072695-8	1	1	103	
GAUGE-130 PSI 1/8 MPT BACK MNT	072695-3	1	1	103	
REGULATOR-PRESSURE 0-120 PSI	072695-2	1	1	103	
VALVE-SOLENOID 3 WAY 12 VDC	072695-1	3	3	103	
VALVE-PRESSURE RELIEF 70 PSI	072695-4	1	1	103	
MOTOR A.-MOUNT *C810*	X73273-SER	3	3	103	
MOTOR A.-MOUNT *C810*	X80578		3	103	
MOTOR-FAN 95.3 CFM 2700 RPM	062253-27	1	1	103	C811 S/N M1073522 & UP
+GUARD-FAN	028534-1	1	1	103	
MOTOR-GEAR W/CONN *C810*	080603		3	103	S/N M2091955 & UP - REPLACES 073247
+SCREW-SHOULDER 5/16 X 1	073249		6	103	GEAR MOTOR
+NUT-1/4-20 WHIZ FLANGE LOCK	017523		6	000	
MOTOR-GEAR *M32/35* STEPPER V3	073247	3		103	USED PRIOR TO M2091954
+SCREW-SHOULDER 5/16 X 1	073249	6		103	GEAR MOTOR
+NUT-1/4-20 WHIZ FLANGE LOCK	017523	6		000	
O-RING-1-3/16OD X .103W	052733-120	12	12	000	REAR PLATEN ARM
O-RING-1-1/16OD X .103W	052733-118	6	6	000	
ORIFICE A.-IGNITOR	073826-005	3	3	103	
ORIFICE-HEX PLUG GAS-#40	076554-40	3	3	103	
ORIFICE-HEX PLUG GAS-#53	076554-53	3	3	103	
PANEL A.-BACK SERVICE *C811*	X73993	1	1	103	C811 S/N M1073522 & UP
PANEL A.-FRONT-LOWER *C810*	X73979	1	1	103	C811 S/N M1073522 & UP
PANEL A.-FRONT UPPER *C81	X69550	1	1	103	C811 S/N M1073522 & UP
PANEL-SIDE UPPER-LT *C810*	073990	1	1	103	C811 S/N M1073522 & UP
PANEL-SIDE UPPER-RT *C810*	073989	1	1	103	C811 S/N M1073522 & UP
PANEL-SIDE-LOWER *C810* RIGH	073991	1	1	103	C811 S/N M1073522 & UP

DESCRIPTION	PART NUMBER	C811 QTY.	L811 QTY.	WARR. CLASS	REMARKS
PANEL-SIDE-LOWER *C810* LEFT	073992	1	1	103	C811 S/N M1073522 & UP
PANEL A.-BACK SERVICE *C811*	X73513	1		103	C811 S/N M1073521 & PRIOR
PANEL A.-FRONT UPPER *C811*	X73373	1		103	C811 S/N M1073521 & PRIOR-FRONT CONTROL
PANEL A.-SIDE UPPER*832/835*LT	X72962	1		103	C811 S/N M1073521 & PRIOR
PANEL A.-SIDE UPPER*832/835*RT	X72965	1		103	C811 S/N M1073521 & PRIOR
PANEL-BACK-LOWER	073432	1		103	C811 S/N M1073521 & PRIOR
PANEL-FRONT-LOWER *C812*	073650	1		103	C811 S/N M1073521 & PRIOR
PANEL-SIDE-LOWER *C810* LEFT	073262	1		103	C811 S/N M1073521 & PRIOR
PANEL-SIDE-LOWER *C810* RIGHT	073261	1		103	C811 S/N M1073521 & PRIOR
PIN-SPRING UPPER *C842*	072542	6		000	
PIN-SPRING UPPER *C810*	080646		6	000	
PLATE A.-AIR SHUTTER SLIDE	X79485	3	3	103	
PLATE A.-DOOR HINGE-L	X73569	1		103	
PLATE A.-DOOR HINGE-R	X73570	1		103	
PLATE-AIR SHUTTER BOTTOM	079576	3	3	103	
PLATE-AIR SHUTTER SPACER *M35*	079482	3	3	103	
PLATE-AIR SHUTTER TOP *C845*	073463	3	3	103	
PLATE-HEAT TRANSFER	072982	6	9	103	
PLATEN A.-SERVICE *C820* 2600W	X73741-23	3		212	
PLATEN A.-2600W 208V *C811*	X73522-23		3	212	
PLUG A.-USB CABLE	073808	3	3	103	
PLUG-HOLE 7/8 DIA. BLACK	010077	1	1	000	
PLUG-HOLE 1-3/4 DIA.	027132	3	3	000	
PLUG-HOLE 1-3/8 DIA.-BLACK	053361	2	2	000	
PLUG-HOLE 3/8 DIA BLACK PLASTI	050988	2	2	103	
PULLEY-PLATEN CABLE	072662	6	6	103	
PULLEY-PLATEN-LEFT	073248-L	3	3	103	
+SCREW-1/4-20X3/8 SOCKET SET	039536	3	3	000	
PULLEY-PLATEN-RIGHT	073248-R	3	3	103	
+SCREW-1/4-20X3/8 SOCKET SET	039536	3	3	000	
REGULATOR-PRESSURE 0-120 PSI	072695-2	1	1	103	MANIFOLD A.*C842*
RELAY-4P-40A 200/240 COIL	050869-27	1	1	103	UPPER CONTROL
RELAY-SS 25A NON-ALARM 240 VAC	074210-02	6	6	103	

DESCRIPTION	PART NUMBER	C811 QTY.	L811 QTY.	WARR. CLASS	REMARKS
ROD-AIR SHUTTER ADJUST *C845*	073304	3	3	103	
SCREW-SHOULDER 4-40X.3755 SOC	058381	18	18	103	
SCREW-SHOULDER 3/8X3-1/4	052010	12	12	103	
SCREW-SHOULDER 10-32X1/4X.125L	072849	6	6	103	
SCREW-SHOULDER 5/16 X 1	073249	6	6	103	
SEALANT-GORE-TEX 1/4 UNCOMP.	R700033	17'	15'	000	
SEALANT-JOINT 1/2 IN TEADIT	R70003	5'	5'	000	
SEAL-ARM *M32/35*	079952	6	6	000	ARM/BACKSPLASH
SHIELD A.-HEAT *C811/C845*	X73597	3	3	103	OPERATOR BUTTONS
SHIELD-COUPPING FRONT	072926	3	3	103	
SHIELD-COUPPING REAR	072927	6	6	103	
SHIELD-GREASE *M 22*	078285	6	6	103	SEE - KIT A.-SHIELD X78330-SER
+FASTENER-SNAP IN 1/4X15/16	078329	24	24	000	
SHIELD-PLATE TUBE	072467	9	9	103	
SHIELD-PLATE TUBE INNER	072467-1	9	9	103	
SHROUD A.-COMBINATION *C811*	X73965	1	1	103	
SHROUD A.-PLATEN *C842*	X72835	3		103	
SHROUD A.-PLATEN *C810*	X80585		3	103	
SHROUD-OUTER BACK *C811* LEF	073961	1	1	103	S/N C811 M1073522 & UP
SHROUD-OUTER BACK *C811* RIG	073962	1	1	103	S/N C811 M1073522 & UP
SHROUD-OUTER BACK *C845* LEFT	073004	1		103	C811 S/N M1073521 & PRIOR
SHROUD-OUTER BACK *C845* RIGHT	073003	1		103	C811 S/N M1073521 & PRIOR
SOCKET-.084 OD/14-20 AWG-STRIP	021625	6	6	103	
SPACER-HEAT TRANSFER PLATE	079074	54	54	000	
SPACER-SHROUD	076657	8	8	000	
SPRING-EXTENSION LATCH *C842*	072617	12		000	PLATEN SPRING
+PIN-SPRING UPPER *C842*	072542	6		000	
SPRING-EXTENSION LATCH *C	080649		12	000	
+PIN-SPRING UPPER *C810*	080646		6	000	
STANDOFF-NYLON 6-32 SNP/THREAD	040280-020	12	12	000	
SUPPLY-POWER-10W 12VDC	073336	3	3	103	
SWITCH-HOME POSITION	073764	3	3	103	
+ACTUATOR-HOME SWITCH *32/35*	079792	3	3	103	

DESCRIPTION	PART NUMBER	C811 QTY.	L811 QTY.	WARR. CLASS	REMARKS
SWITCH-PRESSURE	074314	3	3	103	UPPER CONTROL
SWITCH-PRESSURE 240V.3HP	077879-C	1	1	103	COMPRESSOR A.-AIR
SWITCH-PUSHBUTTON-SPST	079442	3		103	C811 S/N M1073521 & PRIOR
SWITCH-ROCKER-DPST-10AMP IP65	076989-WP	1	1	103	
SWITCH-SCREW TERMINAL	075780	3	3	103	LATCH SWITCH
TANK-ACCUMULATOR 10LB-NPT	078820	1	1	103	
TEE-1/4FPT X 1/4MPT X 1/4FPT	021277	1	1	103	AIR COMPRESSOR
TEE-HI TEMP 1/4X1/4 OD	058770-2	1	1	103	AIR COMPRESSOR
TERMINAL-FERRULE 16-22AWG	080610	15	15	000	
TERMINAL-FERRULE .5MM *M32/3	053995	32	32	000	
THERMOCOUPLE-K TYPE SS BRAID	079622	6	6	103	
THERMOCOUPLE K	076222-K	6	6	103	
TRANS.-100VA 120/208/240 PRI	079800-24	3	3	103	
TRIM-CORNER *C810* RIGHT FRONT	073973	1	1	103	S/N M1073522 & UP
TRIM-CORNER *C810* LEFT FRONT	073974	1	1	103	S/N M1073522 & UP
TRIM-CORNER *C810* RIGHT REAR	073987	1	1	103	S/N M1073522 & UP
TRIM-CORNER *C810* LEFT REAR	073988	1	1	103	S/N M1073522 & UP
TRIM-CORNER *C810* LEFT	073263	1		103	C811 S/N M1073521 & PRIOR
TRIM-CORNER *C810* RIGHT	073264	1		103	C811 S/N M1073521 & PRIOR
TUBE-.170ID X .250OD	R403021	10'	10'	000	
TUBE A.-GAS BACK *C811*	X73640	1	1	103	
TUBE-NYLOBRADE 1/4ID X 7/16OD				000	USE R30317 HOSE-BEV.-.250IDX.438OD-100'
+CLAMP-HOSE 7/16-WIRE DICHROMAT	051742	3	3	000	
TUBE-TEFLON .188IDX.250OD	R403022	10'	10'	000	AIR COMPRESSOR
VALVE-CHECK W/#69 ORIFICE M22	078332	3	3	103	
VALVE-CHECK 1/4AMP	020959	1	1	103	AIR COMPRESSOR
VALVE-GAS REDUNDANT 3-1/2 WC	079329-02	3	3	103	MANIFOLD A.-*C845* GAS
VALVE-PRESSURE RELIEF 70 PSI	072695-4	1	1	103	MANIFOLD
VALVE-SOLENOID 3 WAY 12 VDC	072695-1	3	3	103	MANIFOLD
VARIABLE A.-230VAC W/#10 SPADE	X51733-C	2	2	103	AIR COMPRESSOR
WINDOW-FRONT VIEW PORT	073013	3	3	103	
+LENS-MICA *C845*	072986	3	3	000	
+GASKET-FRONT VIEW PORT *C	072985	3	3	000	



DESCRIPTION	PART NUMBER	C811 QTY.	L811 QTY.	WARR. CLASS	REMARKS
WIRE A.-IGNITOR	X73147-12	3	3	103	
<b>C81123N921 - JIB</b>					
GAGE A.-GAP *C810-C811* JIB	X73404	1		000	
KIT A.-GRILL CONTROL-JIB	X73274-SER	3		212	C811 SIN M1073522 & UP
MAN-OPER C811 JACK-IN-BOX	073451-M	1		000	
<b>C81123N879 - CANADA</b>					
CARD-INSTALL-C811 FRENCH-	073619FC	1		000	
LABEL-ELEC-CAUTION-CANADA	075484-CAN	1		000	
LABEL-FUSE REPLACEMENT 7A	074978	1		000	
LABEL-INST-LIGHT*15E*	079567	1		000	
LABEL-INST-LIGHT*15E*FREN	079567-F	1		000	
LABEL-NOTICE-CASTERS-CANADA	076389-CAN	1		000	
LABEL-WARN-GAS GRILL-CANADA	078075-CAN	1		000	
LABEL-WARN-GRILL-MCD-SVC-CANADA	072658-CAN	3		000	
MAN-OPER C811/C813 FR-CANADA	073625FCM	1		000	
<b>C81128NW00</b>					
PLATEN A.-2600W 230V *C811*	X73522-28			212	NEED SERVICE PART NUMBER
DIAGRAM-WIRING *C811*	073475-28	1		000	
<b>C81175NW00 &amp; L81175NW00 - 400V 50HZ 3N (4 WIRE)</b>					
BLOCK-TERMINAL 1P	073423	2	2	103	
BLOCK-TERMINAL 2P .25 SPD	073033	2	2	103	
BLOCK-TERMINAL 4P 1,2,L1,	051647	1	1	103	
BLOCK-TERMINAL 5P 20A, 30	024329	2	2	103	
CONTROL-IGNITION	081041-03	1	1	103	
CONTROL-HI-LIMIT 550F NO	074165	3	3	103	
DIAGRAM-WIRING *C811* HV1	073475-75	1	1	000	
FILTER A.-*M15* WHT/BLK	X78996-40	1	1	103	
GUARD-LENSE	075288	3	3	103	
HARNES A.-GAS VALVE	X79573-36	3	3	103	
HARNES-COMPRESSOR	073422	1	1	103	

DESCRIPTION	PART NUMBER	C811 QTY.	L811 QTY.	WARR. CLASS	REMARKS
HARN-ESS-FAN *C819*	069716	1	1	103	
HARN-ESS-FAN *C819*	069717	1	1	103	
HARN-ESS-MC BOARD SUPPLY-2	073460	1	1	103	
HARN-ESS-MC TRANS TO BLOCK	081709	1	1	103	
HARN-ESS-SWITCH	073424	1	1	103	
KIT A.-GAS VALVE 24 VAC	X81823-SER	3	3	103	
LABEL-CONTROL PANEL-INTL	075699-SYM	2	2	000	
LABEL-WARN-GAS GRILL	078075	1	1	000	
LABEL-INST-LIGHT*15E*	079567	1	1	000	
LABEL-NOTICE-CASTERS	076389	1	1	000	
LABEL-WARN-GAS GRILL	078075	1	1	000	
LABEL-WIRING	079538-40	1	1	000	
ORIFICE-HEX PLUG GAS-#51	076554-51	3	3	103	
RELAY-SS 25A NON ALARM	074210-02	6	6	103	
RELAY-DPDT 100UA TO 7A 1/	052111-03	3	3	103	
SOCKET-RELAY-FOR USE W/05	052112	3	3	103	
TRANS.-CONT.-80VA 230V/24	059993	3	3	103	

DESCRIPTION	PART NUMBER	C813 QTY.	L813 QTY.	WARR. CLASS	COMMENTS
<b>C81323NCL2 (PLATEN DOUBLE LEFT) &amp; L81323NW79 (ROHS CANADA) NATURAL GAS</b>					
ACTUATOR-HOME SWITCH	079792	2	2	103	
ADAPTOR-HI TEMP 1/4X1/4 OD	058769-2	1	1	103	
ADAPTOR	076745	3	3	103	
BACKSPASH A. *C813*	X69628	1	1	103	
BAR A.-RELEASE MATERIAL	X72843	2		103	
+NUT-10-32 WHIZ FLANGE LOCKNUT	020983	4		000	
+SCREW-SHOULDER 10-32X1/4X.125L	072849	4		103	
BAR A.-RELEASE MATERIAL	X80592		2	103	
+NUT-10-32 WHIZ FLANGE LOCKNUT	020983		4	000	
+SCREW-SHOULDER 10-32X1/4X.125L	072849		4	103	
BAR-BELLY	075663-SP	1	1	103	
+WASHER-3/8 USS FLAT CR3	000653	2	2	000	
+SCREW-3/8-16X1 HEX HEAD CAP	079145	2	2	000	
BASE-ADJUSTER 3/8"-24 LF/RR	072500-SER	4	4	103	
BASE-ADJUSTER 3/8-24 LR/RF	072501-SER	4	4	103	
BEARING 3/4 ID-SELF ALIGN	078730	4	4	103	
BEARING-FLANGE 3/4 X 15/16	077042	8		000	
BEARING-FLANGE 5/8 X 15/16	080648		8	103	
BEARING .753 X 1.000 X 2.000	072541	4		000	
BEARING .628 X .813 X 2.0	080647		4	000	
BLOCK-CONTACT 1 NO	076013	6	6	103	
BLOCK-TERMINAL 1P	073423	4	4	103	
BLOCK-TERMINAL 2P .25 SPD-24X	073033	1	1	103	
BLOCK-TERMINAL 3P 20A, 300V	051331	4	4	103	
BRACKET-PIVOT	076451	2	2	103	
BULLNOSE A.-*C810*	X73975	1	1	103	
BURNER-I.R.	073334	3	3	103	
+BRACKET-BURNER SIDE	073010	6	6	103	
+BRACKET-BURNER-SHORT	073016	6	6	103	
BUSHING-FLG .627IDX.12W OILITE	052394	4	4	103	

DESCRIPTION	PART NUMBER	C813 QTY.	L813 QTY.	WARR. CLASS	COMMENTS
BUSHING-SNAP 11/16 ID X 7/8OD	010548	6	6	103	
BUSHING-SNAP 1-3/8ID X 1-3/4OD	027712	5	5	000	
BUSHING-SNAP 3/4ID X 1"OD BLK	053144	3	3	000	
BUSHING-SNAP 5/8ID X 3/4OD-BLK	017462	1	1	000	
BUSHING-SNAP .391 ID X.500 OD	073910	6	6	103	
BUTTON-OPERATOR-BLACK	076012	3	3	103	
BUTTON-OPERATOR-RED	076011	3	3	103	
CABLE-PLATEN-FRONT	073252	4	4	103	
CABLE-PLATEN-F-REAR *C810*	080587		4	103	
CABLE-PLATEN-F-REAR	073251	4		103	
CAN A.-GREASE *C810* HEM	X80925	2	2	103	
CAN A.-GREASE *C810*	X73944	2		103	
+SLIDE-GREASE CAN *C810* RIGHT	069935	1	1	103	
+SLIDE-GREASE CAN *C810* LEFT	069936	1	1	103	
CARD-CHECKOUT GEN MKT INF GAP	073484	1	1	000	
CARD-INSTALL-GAS GRILL C811	073619	1	1	000	
CARD-INSTALL-C811 FRENCH-	073619FC		1	000	
CASTER-5" 7-5/8 STEM	078377	2	2	103	
CASTER-GRILL 5" SWIVEL W/LOCK	073240	2	2	103	
CLEVIS-ROD 1/2-20 THD	079777	2	2	103	
COMPRESSOR-AIR-230V SERV	032129SER2	1	1	***	
+ADAPTOR-HI TEMP 1/4X1/4 OD	058769-2	1	1	103	
+FITTING-HI TEMP 1/4X1/4 OD 9	058771-2	1	1	103	
+MANIFOLD A.-*C842*	072695			103	
+MANIFOLD A.-*C832*	073129	1	1	000	
+FITTING-DIFFUSER 1/4 MPT	072695-8	1	1	103	
+SWITCH-PRESSURE 240V,3HP	077879-C	1	1	103	
+TUBE-TEFLON .188IDX.250OD	R403022	10'	10'	000	
+TEE-1/4FPT X 1/4MPT X 1/4FPT	021277	1	1	103	
+TEE-HI TEMP 1/4X1/4 OD	058770-2	1	1	103	
+TANK-ACCUMULATOR 10LB-NPT	078820	1	1	103	
+VALVE-CHECK 1/4MP	020959	1	1	103	
CONTROL-GRILL TOUCH PAD----->					

DESCRIPTION	PART NUMBER	C813 QTY.	L813 QTY.	WARR. CLASS	COMMENTS
CONTROL-HI-LIMIT 450F RESET	070279	3	3	103	
CONTROL-IGNITOR UTC	X70301-02S	3	3	103	
+WIRE A.-IGNITOR	X73147-12	3	3	103	
CONTROL-LIMIT W/SCREWS	078721	2	2	103	
CONTROL-MOTOR *C811*	X69621-SER	3	3	212	
COVER A.-PLATEN *C810* W/RELEASE BAR	X73256	2		103	
COVER A.-PLATEN *C810*	X80589		2	103	
COVER A.-USB WATERPROOF	068583	3	3	103	
COVER A.-USB WATERPROOF	073809	3		103	
COVER-FRONT *C811*	073963	1	1	103	
CORD A.-POWER-250V-30A 4 WIRE	073668	1	1	103	
CYLINDER-AIR 6IN STROKE C/C	079160	2	2	103	
DEFLECTOR A.-FLUE *C811*	X69555	1	1	103	
DIAGRAM-WIRING *C813*	073725-23	1	1	000	
DIODE A.-50 PIV 1A	X73673	3	3	000	
ELECTRODE-GAS PILOT	080879	3	3	103	
E-RING 1/4 BLACK PHOS	032190	6	6	000	
E-RING-3/4 STEEL	077046	8	8	000	
FAN-BLOWER 60CFM 120/230 VAC	079326-12	3	3	103	
FASTENER-SNAP IN 1/4X15/16	078329	24	24	000	
FILTER-CORCOM 6EH1	040140-001	3	3	103	
FITTING-1/4MPTX1/4OD TUBE 90DG	052560-2	6	6	103	
FITTING-DIFFUSER 1/4 MPT	072695-8	1	1	103	
FORM-QUALITY REPORT BY FAX	065712	1	1	000	
FUSE-10 AMP BK/MDA-10-R	079837-10	1	1	000	
+HOLDER-FUSE-15 A, 250 V	076299	1	1	103	
GAUGE-130 PSI 1/8 MPT BACK MINT	072695-3	1	1	103	
GASKET-BRAIDED-HI TEMP	R70113	15'	15'	000	
GASKET-CONTROL	072914	3	3	000	
GASKET-FLUE	073419	2	2	000	
GASKET-FRONT SHROUD	072983	1	1	000	
GASKET-FRONT VIEW PORT	072985	3	3	000	
GUARD-FAN	028534-1	1	1	000	

DESCRIPTION	PART NUMBER	C813 QTY.	L813 QTY.	WARR. CLASS	COMMENTS
GUIDE-PATY PLACEMENT GEN MKT	073440	1	1	103	
HANDLE-PLATEN	073250	2		103	
HANDLE-PLATEN, BLK PENTAT	080588-B		3	103	
HARNESS A.-COMP. VALVE *C812*	X73703	1	1	103	
HARNESS A.-MOTOR *C820*	073892	2	2	103	
HARNESS-12V-NEGATIVE-BOARD	073427	1	1	103	
HARNESS-12V-POSITIVE-BOARD	073428	1	1	103	
HARNESS-BLOWER	073608	3	3	103	
HARNESS-COMPRESSOR *C845/C81	073422	1	1	103	
HARNESS-FAN *C819*	069716	2	2	103	
HARNESS-FAN *C819*	069717	2	2	103	
HARNESS-GAS VALVE	073426	1	1	103	
HARNESS-GAS VALVE TREE	073437	1	1	103	
HARNESS-HIGH LIMIT C845/C811	073471-L	1	1	103	
HARNESS-HIGH LIMIT C845/C811	073471-M	1	1	103	
HARNESS-HIGH LIMIT C845/C811	073471-R	1	1	103	
HARNESS-IDC BOARD	073429-L	1	1	103	
HARNESS-IDC BOARD	073429-M	1	1	103	
HARNESS-IDC BOARD	073429-R	1	1	103	
HARNESS-IGNITOR-GROUND	073438	1	1	103	
HARNESS-MC BOARD SUPPLY-24V	073460	1	1	103	
HARNESS-PCB/GR SWITCH	072529	3	3	103	
HARNESS-POWER SUPPLY-NEG	073436	1	1	103	
HARNESS-PRESSURE SWITCH	073444	1	1	103	
HARNESS-RHT-GAS-DETECT	073731	1	1	103	
HARNESS-SSR-LEFT	073095	1	1	103	
HARNESS-SSR-MIDDLE	073096	1	1	103	
HARNESS-SWITCH	073425	1	1	103	
HARNESS-TOUCH-CONTROL *C810-11*	073369	3	3	103	
HARNESS-TRANSFORMER A.-115V	073454	1	1	103	
HOSE ASSEMBLY-FLEXIBLE GAS	073941	1	1	103	
HOSE-BEV.-250IDX.438OD-100'	R30317	5'	5'	000	
+CLAMP-HOSE 7/16-WIRE DICHROMAT	051742	3	3	000	

DESCRIPTION	PART NUMBER	C813 QTY.	L813 QTY.	WARR. CLASS	COMMENTS
INSULATOR-TEFLON-2 HOLE	079810	6	6	000	
INSULATION-SHROUD	073106	3	3	000	
KIT A.-3FT RESTRAIN CABLE	074948	1	1	103	
KIT A.-ACCESSORY*LONG PLTN*	X80680		1	000	
CLIP-RELEASE MATERIAL-W/TAB	072673		6	000	
RETAINER-SHEET RELEASE *C810	080594		3	103	
SCRAPER-TEFLON WIPER	075887		1	000	
SCREW-10-32X3/8 SLTD TRUSS	024298		9	000	
SCREW-3/8-16X1 HEX HEAD CAP	001082		2	000	
SHEET-RELEASE *C810*	080595		1	000	
STRIP-REPLACEMENT	075888		1	000	
WASHER-3/8 USS FLAT CR3	000653		2	000	
KIT A.-ACCESSORY*INF GAP GEN	X73678	1		000	
CLIP-RELEASE MATERIAL-W/TAB	072673	4		000	
RETAINER-SHEET RELEASE *C842*	072845	2		103	
SCRAPER-TEFLON WIPER	075887	1		000	
SCREW-10-32X3/8 SLTD TRUSS	024298	9		000	
SCREW-3/8-16X1 HEX HEAD CAP	001082	2		000	
SHEET-RELEASE BOX(9) GEN MRK	073442	1		000	
STRIP-REPLACEMENT	075888	1		000	
WASHER-3/8 USS FLAT CR3	000653	2		000	
SHIELD-GREASE *M 22*	078285	4		103	
FASTENER-SNAP IN 1/4X15/16	078329	24		000	
KIT A.-GRILL CONTROL-GEN MRKT	X73474-SER	3	3	312	
KIT A.-GREASE SHIELD*	X78330-SER	2	2	103	
LABEL-CONTROL COMPONENTS	073443	1	1	000	
LABEL-ELEC-CAUTION	075484	1		000	
LABEL-ELEC-CAUTION-CANADA	075484-CAN		1	000	
LABEL-FUSE REPLACEMENT 7A	074978		1	000	
LABEL-INST-LIGHT*15E*	079567		1	000	
LABEL-INST-LIGHT*15E*FREN	079567-F		1	000	
LABEL-NOTICE-CASTERS-CANA	076389-CAN		1	000	
LABEL-WARN GRILL MCD AUTH SVC	072658	3		000	

DESCRIPTION	PART NUMBER	C813 QTY.	L813 QTY.	WARR. CLASS	COMMENTS
LABEL-WARN-GRILL-MCD-SVC-	072658-CAN		3	000	
LABEL-WARN-GAS GRILL-CANA	078075-CAN		1	000	
LENS-MICA	072986	3	3	000	
LINE A.-GAS-CENTER *C811*	X81005	1	1	103	
LINE A.-GAS-LEFT *C811*	X81004	1	1	103	
LINE A.-GAS-RIGHT *C811*	X81006	1	1	103	
MAN-OPER C811/C813	073625-M	1	1	000	
MAN-OPER C811/C813 FR-CAN	073625FCM	1	1	000	
MANIFOLD A.-GAS	X73109-02	1	1	103	
ELBOW-3/8 MPT X 5/16	076370	3	3	103	
FITTING-CROSS 3/8FPT-BLACK	078906	1	1	103	
FITTING-REDUCER-1/2FPT-3/8FPT	077364	1	1	103	
PLUG-3/8MPT-BLACK	078907	1	1	103	
VALVE-GAS REDUNDANT 3-1/2 WC	079329-02	3	3	103	
MANIFOLD A.-*C832*	073129	1	1	103	
FITTING-SWIVEL ELBOW 1/4 OD	072695-5	2	2	103	
FITTING-SWIVEL ELBOW 1/4 OD	072695-6	1	1	103	
FITTING-DIFFUSER 1/4 MPT	072695-8	1	1	103	
GAUGE-130 PSI 1/8 MPT BACK MNT	072695-3	1	1	103	
REGULATOR-PRESSURE 0-120 PSI	072695-2	1	1	103	
VALVE-SOLENOID 3 WAY 12 VDC	072695-1	2	2	103	
VALVE-PRESSURE RELIEF 70 PSI	072695-4	1	1	103	
MOTOR A.-MOUNT *C810*	X73273-SER	2		103	
MOTOR A.-MOUNT *C810*	X80578-SER		2	103	
MOTOR-FAN 95.3 CFM 2700 RPM	062253-27	1	1	103	
+GUARD-FAN	028534-1	1	1	103	
MOTOR-GEAR W/CONN *C810*	080603		2	103	
+SCREW-SHOULDER 5/16 X 1	073249	4	4	103	
+NUT-1/4-20 WHIZ FLANGE LOCK	017523	4	4	000	
MOTOR-GEAR *M32/35* STEPPER V3	073247	2		103	
+SCREW-SHOULDER 5/16 X 1	073249	4		103	
+NUT-1/4-20 WHIZ FLANGE LOCK	017523	4		000	
O-RING-1-3/16OD X .103W	052733-120	8	8	000	



DESCRIPTION	PART NUMBER	C813 QTY.	L813 QTY.	WARR. CLASS	COMMENTS
O-RING-1-1/16OD X .103W	052733-118	4	4	000	
ORIFICE A.-IGNITOR	073826-005	3	3	103	
ORIFICE-HEX PLUG GAS-#40	076554-40	3	3	103	
ORIFICE-HEX PLUG GAS-#53	076554-53	3	3	103	
PANEL A.-BACK SERVICE *C811*	X73993	1	1	103	
PANEL A.-FRONT-LOWER *C810*	X73979	1	1	103	
PANEL A.-FRONT UPPER *C81	X69550	1	1	103	
PANEL-SIDE UPPER-LT *C810*	073990	1	1	103	
PANEL-SIDE UPPER-RT *C810*	073989	1	1	103	
PANEL-SIDE-LOWER *C810* RIGH	073991	1	1	103	
PANEL-SIDE-LOWER *C810* LEFT	073992	1	1	103	
PIN-SPRING UPPER *C842*	072542	4		000	
PIN-SPRING UPPER *C810*	080646		4	000	
PLATE A.-AIR SHUTTER SLIDE	X79485	3	3	103	
PLATE-AIR SHUTTER BOTTOM	079576	3	3	103	
PLATE-AIR SHUTTER SPACER	079482	3	3	103	
PLATE-AIR SHUTTER TOP	073463	3	3	103	
PLATE-HEAT TRANSFER	072982	7	7	103	
PLATEN A.-SERVICE *C820* 2600W	X73741-23	2		212	
PLATEN A.-2600W 208V	X73522-23		2	212	
PLUG A.-USB CABLE	073808	3	3	103	
PLUG-HOLE 7/8 DIA. BLACK	010077	1	1	000	
PLUG-HOLE 1-3/4 DIA.	027132	3	3	000	
PLUG-HOLE 1-3/8 DIA.-BLACK	053361	2	2	000	
PLUG-HOLE 3/8 DIA BLACK PLASTI	050988	2	2	103	
PULLEY-PLATEN CABLE	072662	4	4	103	
PULLEY-PLATEN-LEFT	073248-L	2	2	103	
+SCREW-1/4-20X3/8 SOCKET SET	039536	2	2	000	
PULLEY-PLATEN-RIGHT	073248-R	2	2	103	
+SCREW-1/4-20X3/8 SOCKET SET	039536	2	2	000	
REGULATOR-PRESSURE 0-120 PSI	072695-2	1	1	103	
RELAY-3P-50A 208/240 COIL	051890-27	1	1	103	
RELAY-SS 25A NON-ALARM 240 VAC	074210-02	4	4	103	

DESCRIPTION	PART NUMBER	C813 QTY.	L813 QTY.	WARR. CLASS	COMMENTS
ROD-AIR SHUTTER ADJUST	073304	3	3	103	
SCREW-SHOULDER 4-40X.3755 SOC	058381	18	18	103	
SCREW-SHOULDER 3/8X3-1/4	052010	8	8	103	
SCREW-SHOULDER 10-32X1/4X.125L	072849	4	4	103	
SCREW-SHOULDER 5/16 X 1	073249	4	4	103	
SEALANT-GORE-TEX 1/4 UNCOMP.	R700033	11'	11'	000	
SEALANT-JOINT 1/2 IN TEADIT	R70003	5'	5'	000	
SEAL-ARM *M32/35*	079952	4	4	000	
SHIELD A.-HEAT *C811/C845*	X73597	3	3	103	
SHIELD-COUPLING FRONT	072926	2	2	103	
SHIELD-COUPLING REAR	072927	4	4	103	
SHIELD-GREASE *M 22*	078285	4	4	103	
+FASTENER-SNAP IN 1/4X15/16	078329	24	24	000	
SHIELD-PLATE TUBE	072467	6	6	103	
SHIELD-PLATE TUBE INNER	072467-1	6	6	103	
SHROUD A.-COMBINATION *C811*	X73965	1	1	103	
SHROUD A.-PLATEN *C842*	X72835	2		103	
SHROUD A.-PLATEN *C810*	X80585		2	103	
SHROUD-OUTER BACK *C811* LEF	073961	1	1	103	
SHROUD-OUTER BACK *C811* RIG	073962	1	1	103	
SOCKET-.084 OD/14-20 AWG-STRIP	021625	4	4	103	
SPACER-HEAT TRANSFER PLATE	079074	54	54	000	
SPACER-SHROUD	076657	8	8	000	
SPRING-EXTENSION LATCH *C842*	072617	8		000	
+PIN-SPRING UPPER *C842*	072542	4		000	
SPRING-EXTENSION LATCH *C	080649		8	000	
+PIN-SPRING UPPER *C810*	080646		4	000	
STANDOFF-NYLON 6-32 SNP/THREAD	040280-020	12	12	000	
SUPPLY-POWER-10W 12VDC	073336	3	3	103	
SWITCH-HOME POSITION	073764	2	2	103	
+ACTUATOR-HOME SWITCH *32/35*	079792	2	2	103	
SWITCH-PRESSURE	074314	3	3	103	
SWITCH-PRESSURE 240V.3HP	077879-C	1	1	103	

DESCRIPTION	PART NUMBER	C813 QTY.	L813 QTY.	WARR. CLASS	COMMENTS
SWITCH-ROCKER-DPST-10AMP IP65	076989-WP	1	1	103	
SWITCH-SCREW TERMINAL	075780	2	2	103	
TANK-ACCUMULATOR 10LB-NPT	078820	1	1	103	
TEE-1/4FPT X 1/4FPT	021277	1	1	000	
TEE-HI TEMP 1/4X1/4 OD	058770-2	1	1	103	
TERMINAL-FERRULE 16-22AWG	080610	15	15	000	
TERMINAL-FERRULE .5MM *M32/3	053995	32	32	000	
THERMOCOUPLE-K TYPE SS BRAID	079622	4	4	103	
THERMOCOUPLE K	076222-K	6	6	103	
TRANS.-100VA 120/208/240 PRI	079800-24	3	3	103	
TRIM-CORNER *C810* RIGHT FRONT	073973	1	1	103	
TRIM-CORNER *C810* LEFT FRONT	073974	1	1	103	
TRIM-CORNER *C810* RIGHT REAR	073987	1	1	103	
TRIM-CORNER *C810* LEFT REAR	073988	1	1	103	
TUBE-.170ID X .250OD	R403021	10'	10'	000	
TUBE A.-GAS BACK *C811*	X73640	1	1	103	
TUBE-NYLOBRAD 1/4ID X 7/16OD				000	SEE HOSE
TUBE-TEFLON .188IDX.250OD	R403022	10'	10'	000	
VALVE-CHECK W/#69 ORIFICE	078332	2	2	103	
VALVE-CHECK 1/4AMP	020959	1	1	103	
VALVE-GAS REDUNDANT 3-1/2 WC	079329-02	3	3	103	
VALVE-PRESSURE RELIEF 70 PSI	072695-4	1	1	103	
VALVE-SOLENOID 3 WAY 12 VDC	072695-1	2	2	103	
VARIABLE A.-230VAC W/#10 SPADE	X51733-C	2	2	103	
WINDOW-FRONT VIEW PORT	073013	3	3	103	
+LENS-MICA	072986	3	3	000	
+GASKET-FRONT VIEW PORT *C	072985	3	3	000	
WIRE A.-IGNITOR	X73147-12	3	3	103	
<b>C81323NW79 - 208V 60HZ 3PH - ROHS COMPLIANT *CANADA *</b>					
CARD-INSTALL-C811 FRENCH-	073619FC	1	1	000	
LABEL-ELEC-CAUTION-CANADA	075484-CAN	1	1	000	
LABEL-FUSE REPLACEMENT 7A	074978	1	1	000	

DESCRIPTION	PART NUMBER	C813 QTY.	L813 QTY.	WARR. CLASS	COMMENTS
LABEL-INST-LIGHT*15E*	079567	1	1	000	
LABEL-INST-LIGHT*15E*FRENCH	079567-F	1	1	000	
LABEL-NOTICE-CASTERS-CANADA	076389-CAN	1	1	000	
LABEL-WARN-GAS GRILL-CANADA	078075-CAN	1	1	000	
LABEL-WARN-GRILL-MCD-SVC-CAN	072658-CAN	3	3	000	
MAN-OPER C811/C813 FR-CAN	073625FCM	1	1	000	
<b>TOOL</b>					
GAGE A.-GAP USA REGULAR	X79617			000	

DESCRIPTION	PART NUMBER	C819 QTY.	L819 QTY.	WARR. CLASS	REMARKS
<b>C81923NW00 208V 60HZ 3PH &amp; L81923NW00 208V 60HZ 4PH - NATURAL GAS - ROHS COMPLIANT</b>					
ACTUATOR-HOME SWITCH	079792	2	2	103	
ADAPTOR-1/4MPT X 1/4 OD TUBE	052563-2	2	2	103	
ADAPTOR	076745	2	2	103	
BACKSPASH A. *C819*	X69653	1	1	103	
BAR A.-RELEASE MATERIAL	X72843	2		103	
BAR A.-RELEASE MATERIAL	X80592		2	103	
BAR-BELLY *C820*	073540	1	1	103	
+WASHER-3/8 USS FLAT CR3	000653	4	4	000	
+SCREW-3/8-16X1 HEX HEAD CAP	079145	4	4	000	
BASE-ADJUSTER 3/8"-24 LF/RR	072500-SER	4	4	103	
BASE-ADJUSTER 3/8"-24 LR/RF	072501-SER	4	4	103	
BEARING 3/4 ID-SELF ALIGN	078730	4	4	103	
BEARING-FLANGE 3/4 X 15/16	077042	8		000	
BEARING-FLANGE 5/8 X 15/1	080648		8	000	
BEARING .753 X 1.000 X 2.000	072541	4		000	
BEARING .628 X .813 X 2.000	080647		4	000	
BLOCK-CONTACT 1 NO	076013	4	4	103	CONTROL SWITCH
BLOCK-GAP ADJUST 3/8-24	072502	8	8	103	
BLOCK-TERMINAL 1P	073423	1	1	103	UPPER CONTROL
BLOCK-TERMINAL 2P .25 SPD-24X	073033	1	1	103	
BLOCK-TERMINAL 3P 20A, 300V	051331	3	3	103	
PLATE-TERMINAL BLOCK *C84	073386	1	1	103	
BRACKET-PIVOT	076451	2	2	103	
BULLNOSE A.*C819*	X80619	1	1	103	
BURNER-I.R.	073334	2	2	103	
BUSHING-SNAP 11/16 ID X 7/8OD	010548	6	6	103	
BUSHING-SNAP 1-5/16ID X 1-1/2	017008	3	3	103	
BUSHING-SNAP	043637	3	3	103	
BUSHING-SNAP .391 ID X.500 OD	073910	2	2	103	
BUTTON-OPERATOR-BLACK	076012	2	2	000	

DESCRIPTION	PART NUMBER	C819 QTY.	L819 QTY.	WARR. CLASS	REMARKS
BUTTON-OPERATOR-RED	076011	2	2	000	
CABLE-PLATEN-FRONT	073252	4	4	103	
CABLE-PLATEN-F-REAR	073251	4	4	103	
CAN A.-GREASE *C810* HEM	X80925	2	2	103	5/2012 REPLACES X73944
+SLIDE-GREASE CAN *C810* RIGHT	069935	1	1	103	
+SLIDE-GREASE CAN *C810* LEFT	069936	1	1	103	
CARD-CHECKOUT GEN MKT INF GAP	073484	1	1	103	
CARD-INSTALL-GAS GRILL C811	073619	1	1	103	
CASTER-5" 7-5/8 STEM	078377	2	2	103	
CASTER-GRILL 5" SWIVEL W/LOCK	073240	2	2	103	
CLEANER-STERA SHEEN 6 1 QT/CS	073160	1	1	000	
CLEVIS-ROD 1/2-20 THD	079777	2	2	103	
COMPRESSOR-AIR-230V SERV	032129SER2	1	1	212	
+ADAPTOR-1/4MPT X 1/4 OD TUBE	052563-2	2	2	103	
+CROSS-1/4 FPT * 1.562 SQ	077339-M	1	1	103	
+ELBOW-1/4PT-STREET-BRASS	035573	1	1	103	
+ELBOW-1/4 X 1/4 TRUE SEAL	073607	1	1	103	
+FITTING-SWIVEL ELBOW 1/4 OD	072695-6	1	1	103	
+MANIFOLD A.-*C832*	073129	1	1	103	
FITTING-SWIVEL ELBOW 1/4 OD	072695-5	2	2	103	
FITTING-SWIVEL ELBOW 1/4 OD	072695-6	1	1	103	
FITTING-DIFFUSER 1/4 MPT	072695-8	1	1	103	
GAUGE-130 PSI 1/8 MPT BACK MNT	072695-3	1	1	103	
PLUG-1/8 MP-NICKEL PLATED	020988	1	1	103	
REGULATOR-PRESSURE 0-120 PSI	072695-2	1	1	103	
VALVE-SOLENOID 3 WAY 12 VDC	072695-1	2	2	103	
VALVE-PRESSURE RELIEF 70 PSI	072695-4	1	1	103	
+SWITCH-PRESSURE 240V,3HP	077879-C	1	1	103	
+TEE-1/4OD X 1/4OD X 1/4OD TU	052562	1	1	103	
+TUBE-TEFLON .188IDX.250OD	R403022	10'	10'	000	
+VALVE-CHECK 1/4MP	020959	1	1	103	
+VARISTOR A.-230VAC W/#10 SPA	X51733-C	2	2	103	
+VARISTOR-280VAC RMS 17 MM DIA	030036	2	2	103	

DESCRIPTION	PART NUMBER	C819 QTY.	L819 QTY.	WARR. CLASS	REMARKS
CONTROL-GRILL TOUCH PAD----->					*SEE - KIT A.-GRILL CONTROL
CONTROL-HI-LIMIT 450F RESET	070279	2	2	103	
+HARNESS-HIGH LIMIT C845/C811	073471-L	1	1	103	
+HARNESS-HIGH LIMIT C845/C811	073471-R	1	1	103	
CONTROL-LIMIT W/SCREWS	078721	2	2	103	
CONTROL-IGNITOR UTC	X70301-02S	2	2	103	
+WIRE A.-IGNITOR	X73147-12	2	2	103	PLATEN
CONTROL-MOTOR *C811*	X69621-SER	2	2	212	
COVER A.-PLATEN *C810* W/RELEASE BAR	X73256	2		103	
+NUT-10-32 WHIZ FLANGE LOCKNUT	020983	6		000	
+SCREW-SHOULDER 10-32X1/4X.125L	072849	4		103	
COVER A.-PLATEN *C810*	X80589		2	103	
COVER A.-USB WATERPROOF	068583	2	2	103	
COVER-FRONT *C819*	073748	1	1	103	
CORD A.-POWER-250V-30A 4 WIRE	073668	1	1	103	
CYLINDER-AIR 6IN STROKE C/C	079160	2	2	103	
DEFLECTOR A.-FLUE *C819*	X69657	1	1	103	
DIAGRAM-WIRING *C819*	073814-23	1	1	000	
DIODE A.-50 PIV 1A	X73673	2	2	000	
ELECTRODE-GAS PILOT	080879	2	2	103	
E-RING 1/4 BLACK PHOS	032190	4	4	000	
E-RING-3/4 STEEL	077046	8		000	
E-RING 5/8 EXTERNAL STEEL	070816		8	000	
FAN-BLOWER 60CFM 120/230 VAC	079326-12	2	2	103	
FASTENER-SNAP IN 1/4X15/16	078329	24	24	000	
FILTER-CORCOM 6EH1	040140-001	2	2	103	
FILTER A.-*M22E* WHIT/BLK	X79256	2	2	103	
FITTING-1/4MPTX1/4OD TUBE 90DG	052560-2	5	5	103	
FITTING-DIFFUSER 1/4 MPT	072695-8	1	1	103	
FORM-QUALITY REPORT BY FAX	065712	1	1	000	
FUSE-7 AMP MDL-7-R	079837-070	1	1	000	
+HOLDER-FUSE-15 A, 250 V	076299	1	1	103	
GASKET-BRAIDED-HI TEMP	R70113	10'	10'	000	

DESCRIPTION	PART NUMBER	C819 QTY.	L819 QTY.	WARR. CLASS	REMARKS
GASKET-CONTROL *C842*	072914	2	2	000	
GASKET-FLUE *C819*	073920	1	1	000	
GASKET-FRONT SHROUD *C819*	073753	1	1	000	
GASKET-FRONT VIEW PORT *C845*	072985	2	2	000	
GAUGE-130 PSI 1/8 MPT BACK MINT	072695-3	1	1	103	
GASKET-GORE-TEX				000	*SEE - SEALANT-GORE-TEX 1/4
GUARD-FAN	028534-1	1	1	103	
GUIDE-PATTY PLACEMENT GEN	073440	1	1	103	
HANDLE-PLATEN	073250	2		103	
HANDLE-PLATEN, ELECTROPOL	080588-B		2	103	
HARNES A.-COMP. VALVE *C812*	X73703	1	1	103	
HARNES A.-MOTOR *C820*	073892	2	2	103	
HARNES-BLOWER	073608	2	2	103	CONTROL A.- UPPER
HARNES-FAN *C819*	069716	2	2	103	
HARNES-FAN *C819*	069717	1	1	103	
HARNES-HIGH LIMIT C845/C811	073471-L	1	1	103	
HARNES-HIGH LIMIT C845/C811	073471-R	1	1	103	
HARNES-IDC BOARD	073429-L	1	1	103	
HARNES-IDC BOARD	073429-R	1	1	103	
HARNES-IGNITION-GROUND *C81	069757	1	1	103	
HARNES-PCB/GR SWITCH *C832*	072529	2	2	103	
HARNES-SSR-LEFT*C845*	073095	1	1	103	CONTROL A.- UPPER
HARNES-SSR-RIGHT*C845*	073097	1	1	103	
HARNES-SWITCH *C820*	073728	1	1	103	
HARNES-TOUCH-CONTROL *C810-11*	073369	2	2	103	
HOSE ASSEMBLY-FLEXIBLE GAS	073941	1	1	103	TUBE-NYLOBRADE 1/4ID X 7/16OD
HOSE-BEV.-.250IDX.438OD-100'	R30317	5'	5'	000	
+CLAMP-HOSE 7/16-WIRE DICHROMAT	051742	2	2	000	
INSULATOR-TEFLON-2 HOLE	079810	4	4	000	
INSULATION-SHROUD*C845*IN	073106	2	2	000	
KIT A.-3FT RESTRAIN CABLE	074948	1	1	103	
KIT A.-ACCESSORY *C820*	X73606	1		000	
CLIP-RELEASE MATERIAL-W/TAB	072673	4		000	



DESCRIPTION	PART NUMBER	C819 QTY.	L819 QTY.	WARR. CLASS	REMARKS
RETAINER-SHEET RELEASE *C842	072845	2		103	
SCRAPER-TEFLON WIPER	075887	1		000	
SCREW-10-32X3/8 SLTD TRUSS	024298	9		000	
SCREW-3/8-16X1 HEX HEAD CAP	001082	2		000	
SHEET-RELEASE BOX(9) GEN MRK	073442	1 BX		000	
STRIP-REPLACEMENT	075888	1		000	
WASHER-3/8 USS FLAT CR3	000653	2		000	
KIT A.-ACCESSORY*LONG PLT	X80680		1	000	
CLIP-RELEASE MATERIAL-W/TAB	072673		6	000	
RETAINER-SHEET RELEASE *L810	080594		3	103	
SCRAPER-TEFLON WIPER	075887		1	000	
SCREW-10-32X3/8 SLTD TRUSS	024298		9	000	
SCREW-3/8-16X1 HEX HEAD CAP	001082		2	000	
SHEET-RELEASE *L810*	080595		1	000	
STRIP-REPLACEMENT	075888		1	000	
WASHER-3/8 USS FLAT CR3	000653		2	000	
KIT A.-GRILL CONTROL-GEN MRKT	X73474-SER	2	2	312	
+GASKET-CONTROL *C842*	072914	2	2	000	
KIT A.-GREASE SHIELD*	X78330-SER	2	2	000	
SHIELD-GREASE	078285	4	4	000	
FASTENER-SNAP IN 1/4X15/16	078329	16	16	000	
LABEL-ELEC-CAUTION	075484	1	1	000	
LABEL-FUSE REPLACEMENT 7A	074978	1	1	000	
LABEL-INST-LIGHT*15E*	079567	1	1	000	
LABEL-WARN GRILL MCD AUTH SVC	072658	3	3	000	
LENS-MICA *C845*	072986	2	2	000	
LINE A.-GAS-LEFT *C819*	X81327	1	1	103	
LINE A.-GAS-RIGHT *C819*	X81328	1	1	103	
MAN-OPER 811/813/819/821	073625-M	1	1	000	
MOTOR A.-MOUNT *C810*	X73273-SER	2		103	
ACTUATOR-HOME SWITCH *32/35*	079792	1		103	
BUSHING-FLG .627IDX.12W OILI	052394	2		103	
CLAMP-HANDLE *32/35*	079753	1		103	

DESCRIPTION	PART NUMBER	C819 QTY.	L819 QTY.	WARR. CLASS	REMARKS
MOTOR-GEAR W/CONN *C810*	080603	1		103	
NUT-1/4-20 WHIZ FLANGE LOCK	017523	2		000	
PULLEY-PLATEN CABLE	072662	2		103	
PULLEY-PLATEN-LEFT	073248-L	1		103	
PULLEY-PLATEN-RIGHT	073248-R	1		103	
SCREW-1/4-20X1-1/4 SERR.FLAN	024351	2		000	
SCREW-1/4-20X3/8 SOCKET SET	039536	3		000	
SCREW-10-32X3/8 SERRATED HWH	075985	4		000	
SCREW-4-40X5/8 SLTD ROUND	039508	2		000	
SCREW-8-32X3/8 HEX HEAD CAP	024195	2		000	
SCREW-SHOULDER 5/16 X 1	073249	2		103	
SWITCH-HOME POSITION	073764	1		103	
MOTOR A.-MOUNT *C810*	X80578		2	103	
ACTUATOR-HOME SWITCH *32/35*	079792		2	103	
BUSHING-FLG .627IDX.12W OILJ	052394		4	103	
CLAMP-HANDLE *32/35*	079753		2	103	
MOTOR-GEAR W/CONN *C810*	080603		2	103	
NUT-1/4-20 WHIZ FLANGE LOCK	017523		4	000	
PULLEY-PLATEN CABLE	072662		4	103	
PULLEY-PLATEN-LEFT	073248-L		2	103	
PULLEY-PLATEN-RIGHT	073248-R		2	103	
SCREW-1/4-20X1-1/4 SERR.FLAN	024351		4	000	
SCREW-1/4-20X3/8 SOCKET SET	039536		6	000	
SCREW-10-32X3/8 SERRATED HWH	075985		8	000	
SCREW-4-40X5/8 SLTD ROUND	039508		4	000	
SCREW-8-32X3/8 HEX HEAD CAP	024195		4	000	
SCREW-SHOULDER 5/16 X 1	073249		4	103	
SWITCH-HOME POSITION	073764		2	103	
MOTOR-FAN 95.3 CFM 2700 RPM	062253-27	1	1	103	GEAR MOTOR-X62253-27 TO REPLACE 027309-27
+GUARD-FAN	028534-1	1	1	103	
MOTOR-GEAR W/CONN *C810*	080603	2	2	000	USED PRIOR TO M2091954
+SCREW-SHOULDER 5/16 X 1	073249	4	4	103	GEAR MOTOR
+NUT-1/4-20 WHIZ FLANGE LOCK	017523	4	4	103	

DESCRIPTION	PART NUMBER	C819 QTY.	L819 QTY.	WARR. CLASS	REMARKS
O-RING-1-3/16OD X .103W	052733-120	8	8	103	
O-RING-1-1/16OD X .103W	052733-118	4	4	103	
ORIFICE A.-IGNITOR	073826-003	2	2	103	
ORIFICE A.-IGNITOR	073826-005	2	2	103	
ORIFICE-HEX PLUG GAS-#40	076554-40	2	2	103	
ORIFICE-HEX PLUG GAS-#53	076554-53	2	2	103	
PANEL A.-BACK SERVICE *C819*	X69664	1	1	103	
PANEL A.-CONTROL UPPER *C819	X73816	2	2	103	
PANEL A.-FRONT-LOWER *C819*	X69660	1	1	103	
PANEL A.-LIGHT *C819*	X80626	1	1	103	
PANEL-SIDE UPPER-LT *C810*	073990	1	1	103	
PANEL-SIDE UPPER-RT *C810*	073989	1	1	103	
PANEL-SIDE-LOWER *C810* RIGH	073991	1	1	103	
PANEL-SIDE-LOWER *C810* LEFT	073992	1	1	103	
PIN-SPRING UPPER *C842*	072542	4		103	
PIN-SPRING UPPER *C810*	080646		4	000	
PLATE A.-AIR SHUTTER SLIDE	X79485	2	2	103	
PLATE-AIR SHUTTER BOTTOM	079576	2	2	103	
PLATE-AIR SHUTTER SPACER *M35*	079482	2	2	103	
PLATE-AIR SHUTTER TOP *C845*	073463	2	2	103	
PLATE-HEAT TRANSFER	072982	4	6	103	
PLATEN A.-SERVICE *C820* 2600W	X73741-23	2		212	
PLATEN A.-2600W 208V *C811*	X73522-23		2	212	**NEED SERVICE PART NUMBER
PLUG A.-USB CABLE	073808	2	2	103	
PLUG-HOLE 7/8 DIA. BLACK	010077	7	7	000	
PLUG-HOLE 1-3/4 DIA.	027132	2	2	103	
PLUG-HOLE 1-3/8 DIA.-BLACK	053361	1	1	103	
PLUG-HOLE 3/8 DIA BLACK PLASTI	050988	2	2	103	
PULLEY-PLATEN CABLE	072662	4	4	000	
PULLEY-PLATEN-LEFT	073248-L	2	2	103	
+SCREW-1/4-20X3/8 SOCKET SET	039536	2	2	000	MANIFOLD A.-*C842*
PULLEY-PLATEN-RIGHT	073248-R	2	2	103	UPPER CONTROL
+SCREW-1/4-20X3/8 SOCKET SET	039536	2	2	103	

DESCRIPTION	PART NUMBER	C819 QTY.	L819 QTY.	WARR. CLASS	REMARKS
REGULATOR-PRESSURE 0-120 PSI	072695-2	1	1	103	
RELAY-3P-50A 208/240 COIL	051890-27	2	2	103	
RELAY-SS 25A NON-ALARM 240 VAC	074210-02	4	4	103	
ROD-AIR SHUTTER ADJUST *C845*	073304	2	2	103	
SCREW-10-32X3/8 SOCKET	600136	9	12	000	
SCREW-SHOULDER 4-40X.3755 SOC	058381	12	12	103	
SCREW-SHOULDER 3/8X3-1/4	052010	8	8	103	
SCREW-SHOULDER 10-32X1/4X.125L	072849	4	4	000	
SCREW-SHOULDER 5/16 X 1	073249	4	4	000	ARM/BACKSPLASH
SEALANT-GORE-TEX 1/4 UNCOMP.	R700033	12'	12'	000	OPERATOR BUTTONS
SEALANT-JOINT 1/2 IN TEADIT	R70003	10	10	000	
SEALANT-JOINT .065 THK X .50 W	R700032	8'	8'	000	
SEAL-ARM *M32/35*	079952	4	4	000	
SHIELD A.-HEAT *C811/C845*	X73597	2	2	103	
SHIELD-COUPPING FRONT	072926	2	2	103	
SHIELD-COUPPING REAR	072927	4	4	000	
SHIELD-GREASE *M 22*	078285	4	4	103	SEE - KIT A.-SHIELD X78330-SER
+FASTENER-SNAP IN 1/4X15/16	078329	24	24	103	
SHIELD-PLATE TUBE	072467	4	4	103	
SHIELD-PLATE TUBE INNER	072467-1	4	4	103	
SHIELD-POWER CORD *C820	073729	1	1	103	
SHROUD A.-COMBINATION *C819*	X73751	1	1	103	
SHROUD A.-PLATEN *C842*	X72835	2		103	
SHROUD A.-PLATEN *C810*	X80585		2	103	
SHROUD-OUTER BACK *C811* LEFT	073749	1	1	103	
SHROUD-OUTER BACK *C811* RIGHT	073750	1	1	103	
SLIDE-GREASE CAN *C810* L	069936	1	1	103	
SLIDE-GREASE CAN *C810* R	069935	1	1	103	
SOCKET-.084 OD/14-20 AWG-STRIP	021625	4	4	000	PLATEN SPRING
SPACER-HEAT TRANSFER PLATE	079074	36	36	000	
SPACER-SHROUD	076657	5	5	000	
SPRING-EXTENSION LATCH *C842*	072617	8		000	
+PIN-SPRING UPPER *C842*	072542	4		000	

DESCRIPTION	PART NUMBER	C819 QTY.	L819 QTY.	WARR. CLASS	REMARKS
SPRING-EXTENSION LATCH *L	080649		8	000	
+PIN-SPRING UPPER *C810*	080646		4	000	
STANDOFF-NYLON 6-32 SNP/THREAD	040280-020	8	8	103	
SUPPLY-POWER-10W 12VDC	073336	2	2	103	UPPER CONTROL
SWITCH-HOME POSITION	073764	2	2	103	COMPRESSOR A.-AIR
+ACTUATOR-HOME SWITCH *32/35*	079792	2	2	103	
SWITCH-PRESSURE	074314	2	2	103	
SWITCH-PRESSURE 240V.3HP	077879-C	1	1	103	LATCH SWITCH
SWITCH-ROCKER-DPST-10AMP IP65	076989-WP	1	1	103	AIR COMPRESSOR
SWITCH-SCREW TERMINAL	075780	2	2	103	AIR COMPRESSOR
TANK-ACCUMULATOR 10LB-NPT	078820	1	1	103	
+FITTING-1/4MPTX1/4OD TUBE 90	052560-2	1	1	103	
TEE-1/4OD X 1/4OD X 1/4OD TUBE	052562	1	1	103	
TERMINAL-FERRULE 16-22AWG	080610	10	10	103	
TERMINAL-FERRULE .5MM *M32/3	053995	32	32	103	
THERMOCOUPLE-K TYPE SS BRAID	079622	4	4	103	
THERMOCOUPLE K	076222-K	4	4	103	
TRANS.-100VA 120/208/240 PRI	079800	2	2	103	
TRIM-CORNER *C810* RIGHT FRONT	073973	1	1	103	
TRIM-CORNER *C810* LEFT FRONT	073974	1	1	103	
TRIM-CORNER *C810* RIGHT REAR	073987	1	1	103	
TRIM-CORNER *C810* LEFT REAR	073988	1	1	103	
TUBE A.-GAS BACK *C819*	X73873	1	1	103	
TUBE -.170ID X .250OD	R403021	8'	8'	000	
+FITTING-1/4MPTX1/4OD TUBE	052560-2	2	2	103	
TUBE-NYLOBRADE 1/4ID X 7/16OD				000	SEE HOSE-BEV.-250IDX.438OD-100RL.
TUBE-TEFLON .188IDX.2500D	R403022	8'	8'	000	AIR COMPRESSOR
VALVE-CHECK W/#69 ORIFICE M22	078332	2	2	103	
VALVE-CHECK 1/4AMP	020959	1	1	103	MANIFOLD
VALVE-GAS REDUNDANT 3-1/2 WC	079329-02	2	2	103	
+ELBOW-3/8MPT X 3/8MPT STEEL	081424	2	2	103	
+ELBOW-3/8 MPT X 5/16	076370	2	2	103	
+FITTING-REDUCER-1/2FPT-3/8FPT	077364	1	1	103	

DESCRIPTION	PART NUMBER	C819 QTY.	L819 QTY.	WARR. CLASS	REMARKS
+NIPPLE-3/8 MPT CLOSE BLK	076343	1	1	103	
VALVE-GAS REDUNDANT 3-1/2 WC	079329-02	2	2	103	
VALVE-PRESSURE RELIEF 70 PSI	072695-4	1	1	103	AIR COMPRESSOR
VALVE-SOLENOID 3 WAY 12 VDC	072695-1	2	2	103	
VARISTOR A.-230VAC W/#10 SPADE	X51733-C	2	2	000	
+VARISTOR-280VAC RMS 17 MM DIA	030036	2	2	103	
WINDOW-FRONT VIEW PORT *C845*	073013	2	2	000	
+LENS-MICA *C845*	072986	2	2	103	
+GASKET-FRONT VIEW PORT *C	072985	2	2	000	
WIRE A.-IGNITOR	X73147-12	2	2	103	
<b>TOOL</b>					
GAGE A.-GAP USA REGULAR	X79617			000	
C81923NWDK - ROHS COMPLIANT-JIB					
CARD-CHECKOUT JIB GAS	080933	1		000	
+GUIDE-CHECKOUT JIB GAS	080933-INS	1		000	
GAGE A.-GAP *C810-C811* JIB	X73404	1		000	
KIT A.-GRILL CONTROL-JIB	X73474-SER	2		312	
MAN-OPER 811/819 JACK-IN-BOX	073451-M	1		000	
<b>C81923NWHF - ROHS COMPLIANT-LESS GAS LINE, LESS ELECTRICAL PLUG</b>					
CORD A.-POWER 4-WIRE NO P	081411			000	
<b>C81923NWWDD</b>					
ROHS COMPLIANT WENDY'S					
BIN A.-TOOL STORAGE	X73829	1		103	
GUARD-LENSE	075288	2		103	
KIT A.-GRILL CONTROL-WENDY'S	X80691-SER	1		212	
LABEL-CONTROL PANEL-INTL	075699SYM3	1		000	
<b>C81923N879 - CANADA</b>					
LABEL-WARN-GAS GRILL-CANADA	078075-CAN	1		000	
CARD-INSTALL-C811 FRENCH	073619FC	1		000	
LABEL-ELEC-CAUTION-CANADA	075484-CAN	1		000	

DESCRIPTION	PART NUMBER	C819 QTY.	L819 QTY.	WARR. CLASS	REMARKS
LABEL-INST-LIGHT*15E*FRENCH	079567-F	1		000	
LABEL-NOTICE-CASTERS-CANADA	076389-CAN	1		000	
LABEL-WARN-GRILL-MCD-SVC	072658-CAN	3		000	
MAN-OPER 811/813/819/821	073625FCM	1		000	
<b>C81975NW00 400V 50HZ 3N &amp; L81975NW00 400V 50HZ 3N</b>					
BLOCK-TERMINAL 4P 1,2,L1,	051647	1	1	103	
BUSHING-3/4"MP X 3/8 FP P	068239	1	1	103	
BUSHING-SNAP 5/8ID X 3/4OD-BLK	017462	4	4	000	
CONTROL-HI-LIMIT 550F NO RE	074165	2	2	103	
CONTROL-IGNITION 24VAC ROHS	081041-03	2	2	103	
CORD-POWER 4MM-5 H07NF 34	073745	1	1	103	
DIAGRAM-WIRING *C819*	073814-75	1	1	000	
FILTER A.-*M15* WHT/BLK	X78996-40	1	1	103	
FITTING-.25 BARB W/.030 O	079803	2	2	103	
FUSE-4 AMP BK/MDL-4-R	079837-040	1	1	000	
+HOLDER-FUSE-15 A, 250 V	076299	1	1	103	
GUARD-LENSE	075288	2	2	103	
HARNESS A.-BLOWER *C819*	081780	1	1	103	
HARNESS A.-GAS VALVE	X79573-36	2	2	103	
HARNESS A.-IGN CNTRL *C84	081595	2	2	103	
HARNESS-COMPRESSOR *C845/	073422	1	1	103	
HARNESS-MC TO SSR *C819*R	081781-L	1	1	103	
HARNESS-MC TO SSR *C819*L	081781-R	1	1	103	
KIT A.-GAS VALVE 24 VAC	X81823-SER	2	2	103	
+ELBOW-3/8 MPT X 5/16	076370	2	2	103	
+ELBOW-3/8MPTX3/8FPT-BLACK	078890	1	1	103	
+FITTING-REDUCER-1/2FPT-3/	077364	1	1	103	
+HARNESS A.-GAS VALVE	X79573-36	2	2	103	
+KIT A.-GAS VALVE 1/2" NPT	072569	4	4	103	
+NIPPLE-3/8 MPT CLOSE BLK	076343	3	3	103	
+SCREW-M3X0.5	072695-10	2	2	000	
LABEL-CONTROL PANEL-INTL	075699SYM3	1	1	000	

DESCRIPTION	PART NUMBER	C819 QTY.	L819 QTY.	WARR. CLASS	REMARKS
LABEL-FUSE REPLACEMENT 4A	079972	1	1	000	
LABEL-NOTICE-CASTERS	076389	1	1	000	
LABEL-WARN-GAS GRILL	078075	1	1	000	
LABEL-WIRING *M15E/22E*CO	079538-12	1	1	000	
LINE A.-GAS-RIGHT *C819*	X81744	1	1	103	
LINE A.-GAS-LEFT *C819* H	X81746	1	1	103	
ORIFICE-HEX PLUG GAS-#51	076554-51	2	2	103	
PANEL A.-CONTROL UPPER *L819	X81760	1	1	103	
PANEL A.-CONTROL UPPER *L819	X81762	1	1	103	
PLATEN A.-SERVICE *C820* 2600W	X73741-75	2		212	
PLATEN A.-2600W 230V *C811*	X73522-75		2	212	
RELAY-4P-40A 200/240 COIL	050869-27	1	1	103	
RELAY-DPDT 100UA TO 7A 1/	052111-03	2	2	103	
+SOCKET-RELAY-FOR USE W/05	052112	2	2	103	
RELAY-4P-40A 200/240 COIL	050869-27	1	1	103	
TRANS.-100VA 120/208/240 PRI	079800-24	2	2	103	
TRANS.-CONT.-80VA 230V/24	059993	2	2	103	



DESCRIPTION	PART NUMBER	C821 QTY.	L821 QTY.	WARR. CLASS	REMARKS
<b>C82123NW39 &amp; L82123NW79 - NATURAL GAS - 1-PLATEN - ROHS COMPLIANT</b>					
ACTUATOR-HOME SWITCH	079792	1	1	103	
ADAPTOR-1/4MPT X 1/4 OD TUBE	052563-2	2	2	103	
ADAPTOR	076745	2	2	103	
BACKSPASH A. *C822*	X69653-R	1	1	103	
BAR A.-RELEASE MATERIAL	X72843	1		103	
+NUT-10-32 WHIZ FLANGE LOCKNUT	020983	5		000	
+SCREW-SHOULDER 10-32X1/4X.125L	072849	2		000	
BAR A.-RELEASE MATERIAL	X80592		1	103	
+NUT-10-32 WHIZ FLANGE LOCKNUT	020983		5	000	
+SCREW-SHOULDER 10-32X1/4X.125L	072849		2	000	
BAR-BELLY *C820*	073540	1	1	103	
BASE-ADJUSTER 3/8"-24 LF/RR	072500	2	2	103	
BASE-ADJUSTER 3/8-24 LR/RF	072501	2	2	103	
BEARING-FLANGE 3/4 X 15/16	077042	4		000	
BEARING-FLANGE 5/8 X 15/1	080648		4	103	
BEARING .753 X 1.000 X 2.000	072541	2		000	
BEARING .628 X .813 X 2.0	080647		2	000	
BEARING 3/4 ID-SELF ALIGN	078730	2	2	103	
BLOCK-CONTACT 1 NO *1/12/15	076013	4	4	103	
BLOCK-TERMINAL 1P	073423	1	1	103	
BLOCK-TERMINAL 2P .25 SPD-24X	073033	1	1	103	
BLOCK-TERMINAL 3P 20A, 300V	051331	3	3	103	
BULLNOSE A.*C819*	X69670	1	1	103	
BURNER-I.R.	073334	2	2	103	
+BRACKET-BURNER *C845* SIDE	073010	4	4	103	
+BRACKET-BURNER *C845*-SHORT	073016	4	4	103	
BUSHING-FLG .627IDX.12W OILITE	052394	2	2	103	
BUSHING-SNAP 11/16 ID X 7/8OD	010548	6	6	103	
BUSHING-SNAP 1-3/8ID X 1-3/4OD	027712	4	4	103	
BUSHING-SNAP 1-5/16ID X 1-1/2	017008	3	3	103	

DESCRIPTION	PART NUMBER	C821 QTY.	L821 QTY.	WARR. CLASS	REMARKS
BUSHING-SNAP .391 ID X.500 OD	073910	2	2	103	
BUTTON-OPERATOR-BLACK	076012	2	2	103	
BUTTON-OPERATOR-RED	076011	2	2	103	
CAN A.-GREASE *C810* HEM	X80925	2	2	103	5-2012 REPLACES X73944
+SLIDE-GREASE CAN *C810* R	069935	1	1	103	
+SLIDE-GREASE CAN *C810* L	069936	1	1	103	
CARD-CHECKOUT GEN MKT INF GAP	073484	1	1	000	
CARD-INSTALL-GAS GRILL C8	073619	1	1	000	
CABLE-PLATEN-F-REAR	073251	2	2	103	
CABLE-PLATEN-FRONT	073252	2	2	103	
CABLE-PLATEN-F-REAR *C810	080587		2	103	
CASTER-GRILL 5" SWIVEL W/LOCK	073240	2	2	103	
CASTER-5" 7-5/8 STEM	078377	2	2	103	
CLEANER-STERA SHEEN 6 1 QT/CS	073160			000	SAMPLE SENT WITH NEW EQUIPMENT
CLEVIS-ROD 1/2-20 THD	079777	1	1	000	
CLIP-RELEASE MATERIAL-W/TAB	072673	4	4	000	
COMPRESSOR-AIR-230V SERV	032129SER2	1	1	212	
+ADAPTOR-1/4MPT X 1/4 OD TUBE	052563-2	2	2	103	
+CROSS-1/4 FPT * 1.562 SQ	077339-M	1	1	103	
+FITTING-SWIVEL ELBOW 1/4 OD	072695-6	1	1	103	
+PLUG-HOLE 7/8 DIA. BLACK	010077	1	1	000	
+PLUG-1/4 NPT-PARKER:VS219P-4	065156-6	1	1	103	
+SWITCH-PRESSURE 240V,3HP	077879-C	1	1	103	
+TEE-1/4OD X 1/4OD X 1/4OD TUBE	052562	1	1	103	
+TUBE-TEFLON .188IDX.250OD	R403022	5'	5'	000	
+VALVE-CHECK 1/4MP	020959	1	1	103	
CONTROL-GRILL TOUCH PAD----->					SEE KIT A.-GRILL CONTROL - X73474-SER
+GASKET-CONTROL	072914	2	2	000	
CONTROL-HI-LIMIT 450F RESET	070279	2	2	103	
CONTROL-IGNITOR UTC *M35*	X70301-02S	2	2	103	
CONTROL-LIMIT W/SCREWS	078721	1	1	103	
CONTROL-MOTOR *C811*	X69621-SER	2	2	212	
CORD A.-POWER-250V-30A 4 WIRE	073668	1	1	103	

DESCRIPTION	PART NUMBER	C821 QTY.	L821 QTY.	WARR. CLASS	REMARKS
+SHIELD-POWER CORD *C820*	073729	1	1	103	
COVER A.-PLATEN *C810*	X73256	1		103	
COVER A.-PLATEN *C810*	X80589		1	103	
COVER A.-USB WATERPROOF	068583	2	2	103	1/17/12 REPLACES 073809
COVER-FRONT *C819*	073748	1	1	103	
CROSS-1/4 FPT * 1.562 SQ	077339-M	1	1	103	
CYLINDER-AIR 6IN STROKE C/C	079160	1	1	103	
DEFLECTOR A.-FLUE *C819*	X69657	1	1	103	
DIAGRAM-WIRING *C821*	069842-23	1	1	000	
E-RING 1/4 BLACK PHOS	032190	4	4	000	
E-RING-3/4 STEEL	077046	4		000	
E-RING 5/8 EXTERNAL STEEL	070816		4	000	
FAN-BLOWER 60CFM 120/230 VAC	079326-12	1	1	103	
FASTENER-SNAP IN 1/4X15/16	078329	24	24	000	
FILTER A.-M22E* WHT/BLK	X79256	1	1	103	
FILTER-CORCOM 6EH1	040140-001	2	2	103	
FITTING-1/4MPTX1/4OD TUBE 90DG	052560-2	5	5	103	
FITTING-5/16X5/16X3/16 COMP	073911	2	2	103	
FITTING-SWIVEL ELBOW 1/4 OD TB	072695-6	2	2	103	
FITTING-DIFFUSER 1/4 MPT	072695-8	1	1	103	
FORM-QUALITY REPORT BY FAX	065712	1	1	000	
FUSE-7 AMP MDQ-7	079837-070	1	1	000	
+HOLDER-FUSE-15 A, 250 V	076299	1	1	103	
GAUGE-130 PSI 1/8 MPT BACK MNT	072695-3	1	1	103	
GASKET-BRAIDED-HI TEMP	R70113	10	10	000	
GASKET-GORE-TEX .250 DIA				000	SEE SEALANT-GORE TEX R700033
GASKET-CONTROL *C842*	072914	2	2	000	
GASKET-FRONT SHROUD *C819*	073753	1	1	000	
GASKET-FRONT VIEW PORT *C845*	072985	2	2	000	
GUIDE-PATTY PLACEMENT GEN MKT	073440	1	1	103	
HANDLE-PLATEN	073250	1		103	
HANDLE-PLATEN, ELECTROPOL	080588-B		1	103	
HARNES A.-COMP. VALVE *C820	X73703-R	1	1	103	

DESCRIPTION	PART NUMBER	C821 QTY.	L821 QTY.	WARR. CLASS	REMARKS
HARNSS-A.-MOTOR *C820*	073892	2	2	103	
HARNSS-BLOWER	073608	2	2	103	
HARNSS-FAN *C819*	069716	1	1	103	
HARNSS-FAN *C819*	069717	1	1	103	
HARNSS-HIGH LIMIT C845/C811	073471-L	1	1	103	
HARNSS-HIGH LIMIT C845/C811	073471-R	1	1	103	
HARNSS-IDC BOARD	073429-L	1	1	103	
HARNSS-IDC BOARD	073429-R	1	1	103	
HARNSS-IGNITION-GROUND *	069757	1	1	103	
HARNSS-PCB/GR SWITCH *C832*	072529	2	2	103	
HARNSS-RHT-GAS-DETECT *C	073731	1	1	103	
HARNSS-SSR-LEFT *C845*	073095	1	1	103	
HARNSS-SWITCH	073728	1	1	103	
HARNSS-TOUCH-CONTROL	073369	2	2	103	
HOLDER-FUSE-15 A, 250 V	076299	1	1	103	
HOSE ASSEMBLY-FLEXIBLE GAS	073941	1	1	103	
HOSE-BEV.-250IDX.438OD-100'	R30317	5'	5'	000	
IGNITOR-SPARK	073812	2	2	103	
+ORIFICE A.-IGNITOR	073826-003	2	2	103	LP GAS
+ORIFICE A.-IGNITOR	073826-005	2	2	103	NATURAL GAS
+WIRE A.-IGNITOR *C845*	X73147-12	2	2	103	
KIT A.-3FT RESTRAIN CABLE	074948	1	1	103	
KIT A.-ACCESSORY *C820*	X73606	1		000	
CLIP-RELEASE MATERIAL-W/TAB	072673	4		000	
RETAINER-SHEET RELEASE	072845	2		103	
SCRAPER-TEFLON WIPER	075887	1		000	
SCREW-10-32X3/8 SLTD TRUSS	024298	9		000	
SCREW-3/8-16X1 HEX HEAD CAP	001082	2		000	
SHEET-RELEASE BOX(9) GEN MRK	073442	1		000	
STRIP-REPLACEMENT	075888	1		000	
WASHER-3/8 USS FLAT CR3	000653	2		000	
KIT A.-ACCESSORY*LONG PLT	X80680		1	000	
CLIP-RELEASE MATERIAL-W/TAB	072673		6	000	

DESCRIPTION	PART NUMBER	C821 QTY.	L821 QTY.	WARR. CLASS	REMARKS
RETAINER-SHEET RELEASE *L810	080594		3	103	
SCRAPER-TEFLON WIPER	075887		1	000	
SCREW-10-32X3/8 SLTD TRUSS	024298		9	000	
SCREW-3/8-16X1 HEX HEAD CAP	001082		2	000	
SHEET-RELEASE *L810*	080595		1	000	
STRIP-REPLACEMENT	075888		1	000	
WASHER-3/8 USS FLAT CR3	000653		2	000	
KIT A.-GREASE SHIELD*	X78330-SER	1	1	000	
SHIELD-GREASE *M 22*	078285	2	2	103	
FASTENER-SNAP IN 1/4X15/16	078329	24	24	000	
KIT A.-GRILL CONTROL-GEN MRKT	X73474-SER	2	2	312	
+GASKET-CONTROL	072914	2	2	000	
LABEL-ELEC-CAUTION-CANADA	075484-CAN	1	1	000	
LABEL-INST-LIGHT*15E*	079567	1	1	000	
LABEL-INST-LIGHT*15E*FREN	079567-F	1	1	000	
LABEL-NOTICE-CASTERS-CANADA	076389-CAN	1	1	000	
LABEL-WARN-GAS GRILL-CANA	078075-CAN	1	1	000	
LABEL-WARN-GRILL-MCD-SVC-CAN	072658-CAN	3	3	000	
LENS-MICA *C845*	072986	2	2	000	
+GASKET-FRONT VIEW PORT *C845*	072985	2	2	000	
MAN-OPER C819	073946-M	1	1	000	
MAN-OPER C819 FRENCH CANADIA	073946FCM	1	1	000	
MANIFOLD A.*C822*	073129-R	1	1	103	
FITTING-DIFFUSER 1/4 MPT	072695-8	1	1	103	COMPLETE ASSY - X73273-SER MOTOR A.-MT
FITTING-SWIVEL ELBOW 1/4 OD	072695-5	1	1	103	
FITTING-SWIVEL ELBOW 1/4 OD	072695-6	1	1	103	
GAUGE-130 PSI 1/8 MPT BACK M	072695-3	1	1	103	
REGULATOR-PRESSURE 0-120 PSI	072695-2	1	1	103	
VALVE-PRESSURE RELIEF 70 PSI	072695-4	1	1	103	
VALVE-SOLENOID 3 WAY 12 VDC	072695-1	1	1	103	
MOTOR-FAN 95.3 CFM 2700 RPM	062253-27	1	1	103	
MOTOR-GEAR *M32/35* STEPPER V3	073247	1	1	103	
+SCREW-SHOULDER 5/16 X 1	073249	2	2	103	

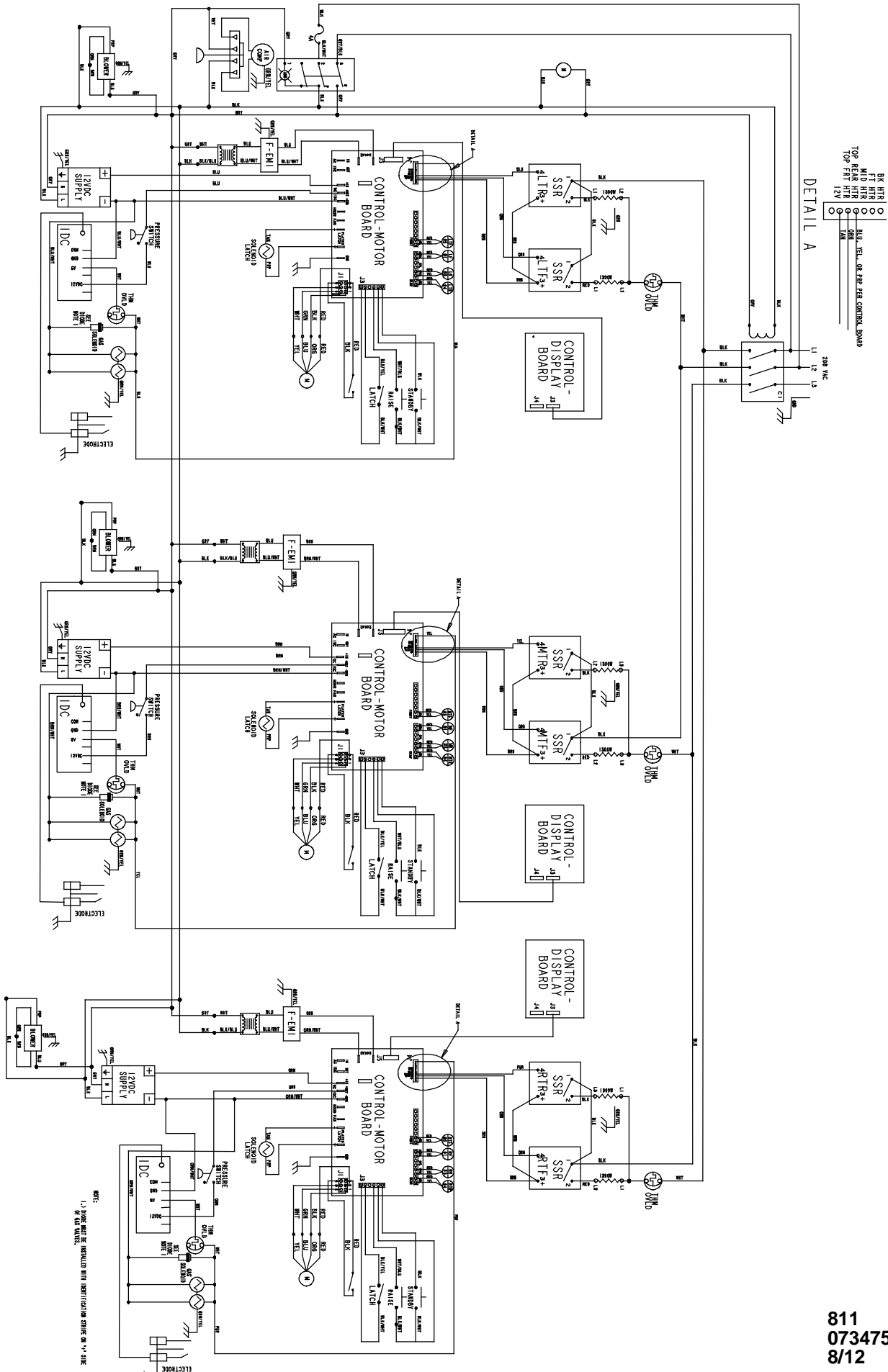
DESCRIPTION	PART NUMBER	C821 QTY.	L821 QTY.	WARR. CLASS	REMARKS
+NUT-1/4-20 WHIZ FLANGE LOCK	017523	2	2	103	
O-RING-1-3/16OD X .103W	052733-120	4	4	000	
ORIFICE A.-IGNITOR	073826-003	2	2	103	LP GAS
ORIFICE A.-IGNITOR	073826-005	2	2	103	NATURAL GAS
ORIFICE-HEX PLUG GAS-#40	076554-40	2	2	103	NATURAL GAS
ORIFICE-HEX PLUG GAS-#53	076554-53	2	2	103	LP GAS
PANEL A.-BACK SERVICE *C8	X69664	1	1	103	
PANEL A.-FRONT-LOWER *C81	X69660	1	1	103	
PANEL A.-LIGHT *C819*	X80626	1	1	103	
PANEL-SIDE-LOWER *C810* RIGH	073991	1	1	103	
PANEL-SIDE-LOWER *C810* LEFT	073992	1	1	103	
PANEL-SIDE UPPER-RT *C810*	073989	1	1	103	
PANEL-SIDE UPPER-LT *C810*	073990	1	1	103	
PIN-SPRING UPPER *C842*	072542	2		000	
PIN-SPRING UPPER *C810*	080646		2	000	
PLATE A.-AIR SHUTTER SLIDE	X79485	2	2	103	
PLATE A.-DOOR HINGE-L	X73569	1	1	103	
PLATE A.-DOOR HINGE-R	X73570	1	1	103	
PLATEN A.-SERVICE *C820* 2600W	X73741-23	1		212	
PLATEN A.-2600W 208V *C811*	X73522-23		1	212	
PLUG A.-USB CABLE	073808	2	2	103	
PLUG-HOLE 7/8 DIA. BLACK	010077	6	6	000	
PLUG-HOLE 1-3/4 DIA.	027132	2	2	000	
PLUG-HOLE 1-3/8 DIA.-BLACK	053361	1	1	000	
PLUG-HOLE 3/8 DIA BLACK PLASTI	050988	2	2	103	
PULLEY-PLATEN CABLE	072662	2	2	103	
PULLEY-PLATEN-LEFT	073248-L	1	1	103	
PULLEY-PLATEN-RIGHT	073248-R	1	1	103	
REGULATOR-PRESSURE 0-120 PSI	072695-2	1	1	103	
RELAY-SS 25A NON-ALARM 240 V	074210-02	2	2	103	
RELAY-3P-50A 208/240 COIL	051890-27	1	1	103	
RETAINER-SHEET RELEASE (RETENTION BAR)	072845	2	2	000	
+CLIP-RELEASE MATERIAL-W/TAB	072673	4	4	103	

DESCRIPTION	PART NUMBER	C821 QTY.	L821 QTY.	WARR. CLASS	REMARKS
ROD-AIR SHUTTER ADJUST *C845*	073304	2	2	103	
SCRAPER-TEFLON WIPER	075887	1	1	000	
+STRIP-REPLACEMENT	075888	1	1	000	
SCREW-1/4-20X3/8 SLTD ROUND	011694	30	30	000	
SCREW-1/4-20X5/8 SERRATED HWH	017522	17	17	000	
SCREW-10-24X1/2 TORX TRUSS T20	002077	4	4	000	
SCREW-10-32X1/2 SERRATED HWH	020982	14	14	000	
SCREW-10-32X1/2 SLTD TRUSS	037734	10	10	000	
SCREW-10-32X3/8 SLTD TRUSS	024298	22	22	000	
SCREW-10-32X3/8 UNSL HWH SERR	039381	16	16	000	
SCREW-10X3/8 SLOTTED HEX WSHR	015582	36	36	000	
SCREW-6-32X3/8 SLTD BINDER	002201	4	4	000	
SCREW-6-32X5/8 UNSLTD HWH	041363	12	12	000	
SCREW-8X1/4 SLTD HEX WASHER	009894	4	4	000	
SCREW-SHOULDER 4-40X.3755 SOC	058381	12	12	000	
SCREW-SHOULDER 3/8X3-1/4	052010	4	4	103	
SCREW-SHOULDER 10-32X1/4X.125L	072849	2	2	103	
SCREW-SHOULDER 5/16 X 1	073249	2	2	103	
SEALANT-GORE-TEX 1/4 UNCOMP.	R700033	6'	6'	000	
SEALANT-JOINT 1/2 IN TEADIT	R70003	5	5	000	
SEAL-ARM *M32/35*	079952	2	2	000	
SHEET-RELEASE BOX(9) GEN MRK	073442	1	1	000	
SHIELD A.-HEAT *C811/C845*	X73597	2	2	103	
SHIELD-COUPLING FRONT	072926	1	1	103	
SHIELD-COUPLING REAR	072927	2	2	103	
SHIELD-GREASE *M 22*	078285	2	2	103	SEE - KIT A.-GREASE SHIELD X78330-SER
+FASTENER-SNAP IN 1/4X15/16	078329	24	24	000	
SHIELD-PLATE SHROUD	072465	3	3	103	
SHIELD-PLATE SHROUD-OUTER	072466	3	3	103	
SHIELD-PLATE TUBE	072467	3	3	103	
SHIELD-PLATE TUBE INNER	072467-1	3	3	103	
SHIELD-POWER CORD *C820*	073729	1	1	000	
SHROUD A.-COMBINATION *C819*	X73751	1	1	103	

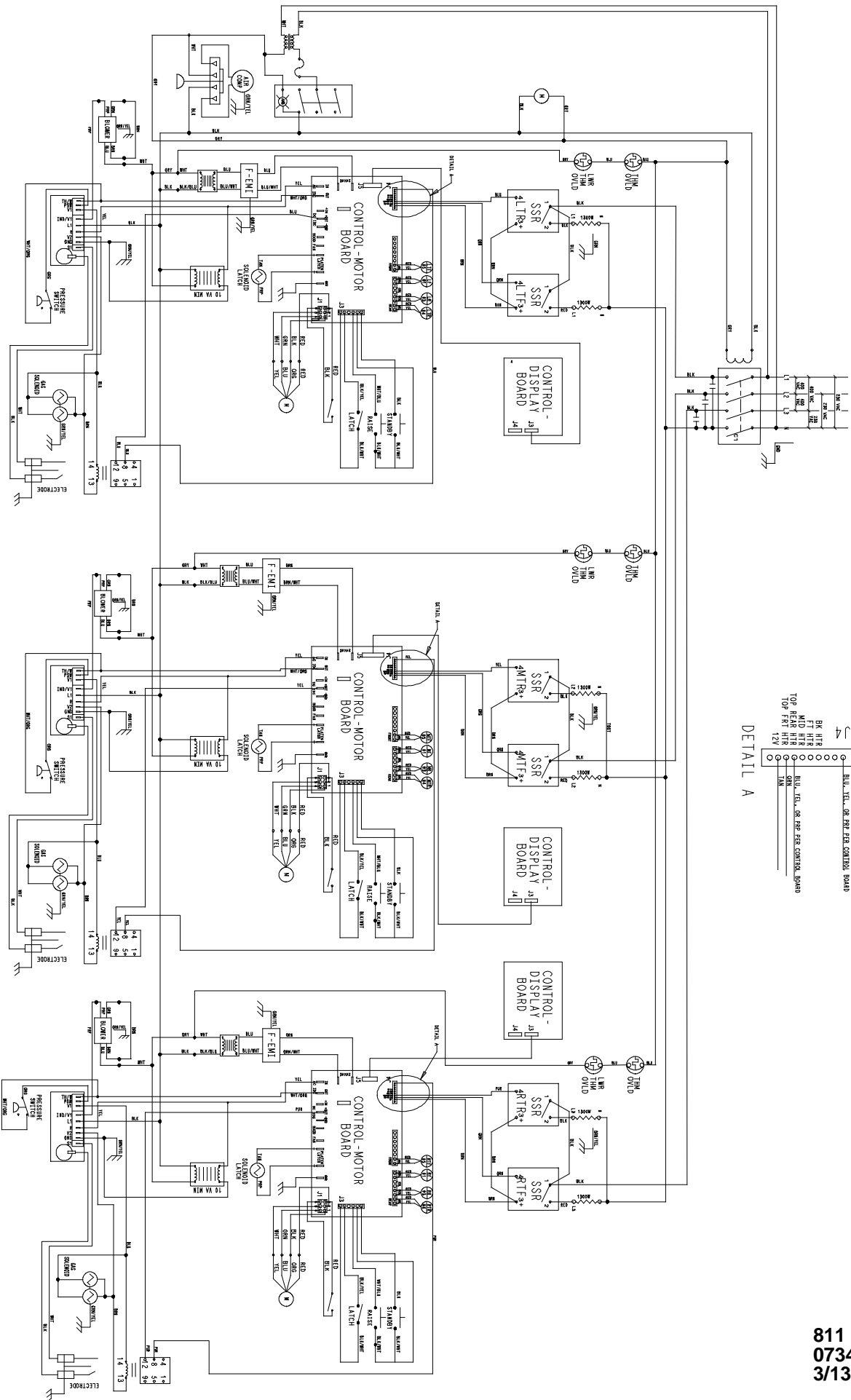
DESCRIPTION	PART NUMBER	C821 QTY.	L821 QTY.	WARR. CLASS	REMARKS
SHROUD A.-PLATEN	X72835	1		103	
SHROUD A.-PLATEN *C810*	X80585		1	103	
SLIDE-GREASE CAN *C810* R	069935	1	1	103	
SLIDE-GREASE CAN *C810* L	069936	1	1	103	
SPRING-EXTENSION LATCH	072617	4		000	
+PIN-SPRING UPPER	072542	2		000	
SPRING-EXTENSION LATCH *L	080649		4	000	
PIN-SPRING UPPER *C810*	080646		2	000	
SUPPLY-POWER-10W 12VDC	073336	2	2	103	
SWITCH A.-LATCH *C820*	X73775	2	2	103	
SWITCH-SCREW TERMINAL	075780	2	2	103	
SWITCH-HOME POSITION	073764	1	1	103	
+ACTUATOR-HOME SWITCH *32/35*	079792	1	1	103	
SWITCH-PRESSURE 240V.3HP	077879-C	1	1	103	
SWITCH-PRESSURE	074314	2	2	103	
SWITCH-ROCKER-DPST-10AMP IP65	076989-WP	1	1	103	
SWITCH-SCREW TERMINAL	075780	2	2	103	
TANK-ACCUMULATOR 10LB-NPT	078820	1	1	103	
TEE-1/4OD X 1/4OD X 1/4OD TUBE	052562	1	1	103	
THERMOCOUPLE K *M 15*	076222-K	4	4	103	
THERMOCOUPLE-K TYPE SS BRAID	079622	2	2	103	
TRANS.-100VA 120/208/240 PRI	079800	2	2	103	
TRIM-CORNER *C810* FRONT-RIGHT	073973	1	1	103	
TRIM-CORNER *C810* FRONT-LEFT	073974	1	1	103	
TRIM-CORNER *C810* REAR-RIGHT	073987	1	1	103	
TRIM-CORNER *C810* REAR-LEFT	073988	1	1	103	
TUBE A.-GAS BACK *C819*	X73873	1	1	103	
TUBE -.170ID X .250OD	R403021	7'	7'	000	
TUBE-NYLOBRADE 1/4ID X 7/16O	020568-20	1	1	000	
TUBE-NYLOBRADE 1/4ID X 7/16O	020568-24	1	1	000	
+CLAMP-HOSE 7/16-WIRE DICHRMAT	051742	2	2	000	
TUBE-TEFLON .188IDX.2500D	R403022	6'	6'	000	
VALVE-CHECK W/#69 ORIFICE	078332	1	1	103	



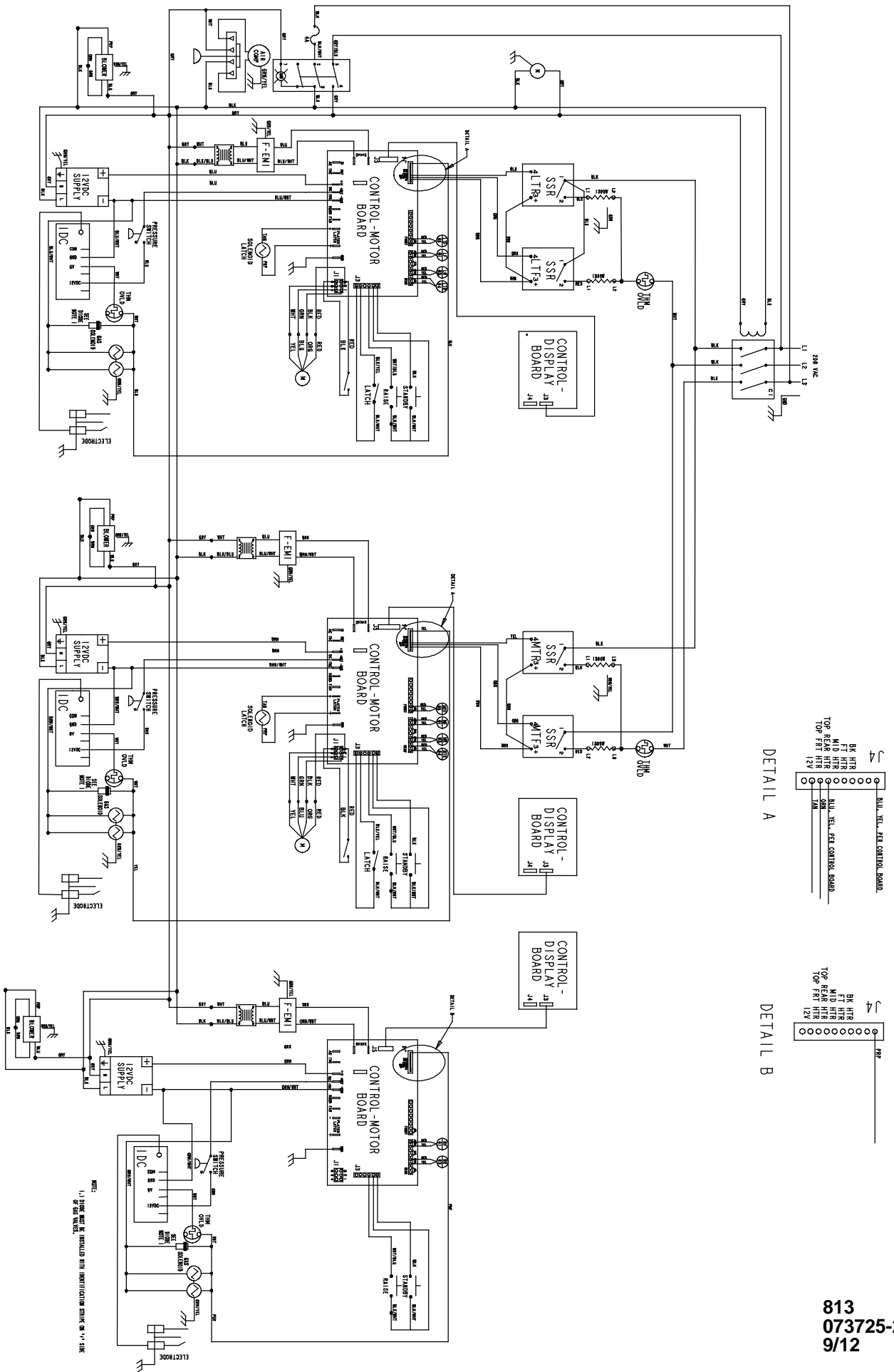
DESCRIPTION	PART NUMBER	C821 QTY.	L821 QTY.	WARR. CLASS	REMARKS
VALVE-CHECK 1/4MP	020959	1	1	103	
VALVE-GAS REDUNDANT 3-1/2 WC	079329-02	2	2	103	
ELBOW-3/8 MPT X 5/16	076370	2	2	103	
ELBOW-3/8MPTX3/8FPT-BLACK	078890	1	1	103	
FITTING-REDUCER-1/2FPT-3/8FP	077364	1	1	103	
VALVE-PRESSURE RELIEF 70 PSI	072695-4	1	1	103	
VALVE-SOLENOID 3 WAY 12 VDC	072695-1	1	1	103	
VARISTOR A.-230VAC W/#10 SPADE	X51733-C	2	2	103	
WINDOW-FRONT VIEW PORT *C845*	073013	2	2	103	
+LENS-MICA *C845*	072986	2	2	000	
+GASKET-FRONT VIEW PORT *C	072985	2	2	000	
WIRE A.-IGNITOR	X73147-12	2	2	103	



811  
 073475-23  
 8/12



**811**  
**073475-75**  
**3/13**



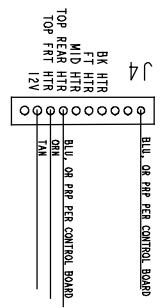
NOTE:  
1.) FUSE MUST BE INSTALLED WITH IDENTIFICATION STRIKE ON "S" SIDE OF THE VALVE.

4  
BK HTR  
MID HTR  
TOP REAR HTR  
TOP FRT HTR  
12V  
MUL. YEL. REL CONTROL BOARD

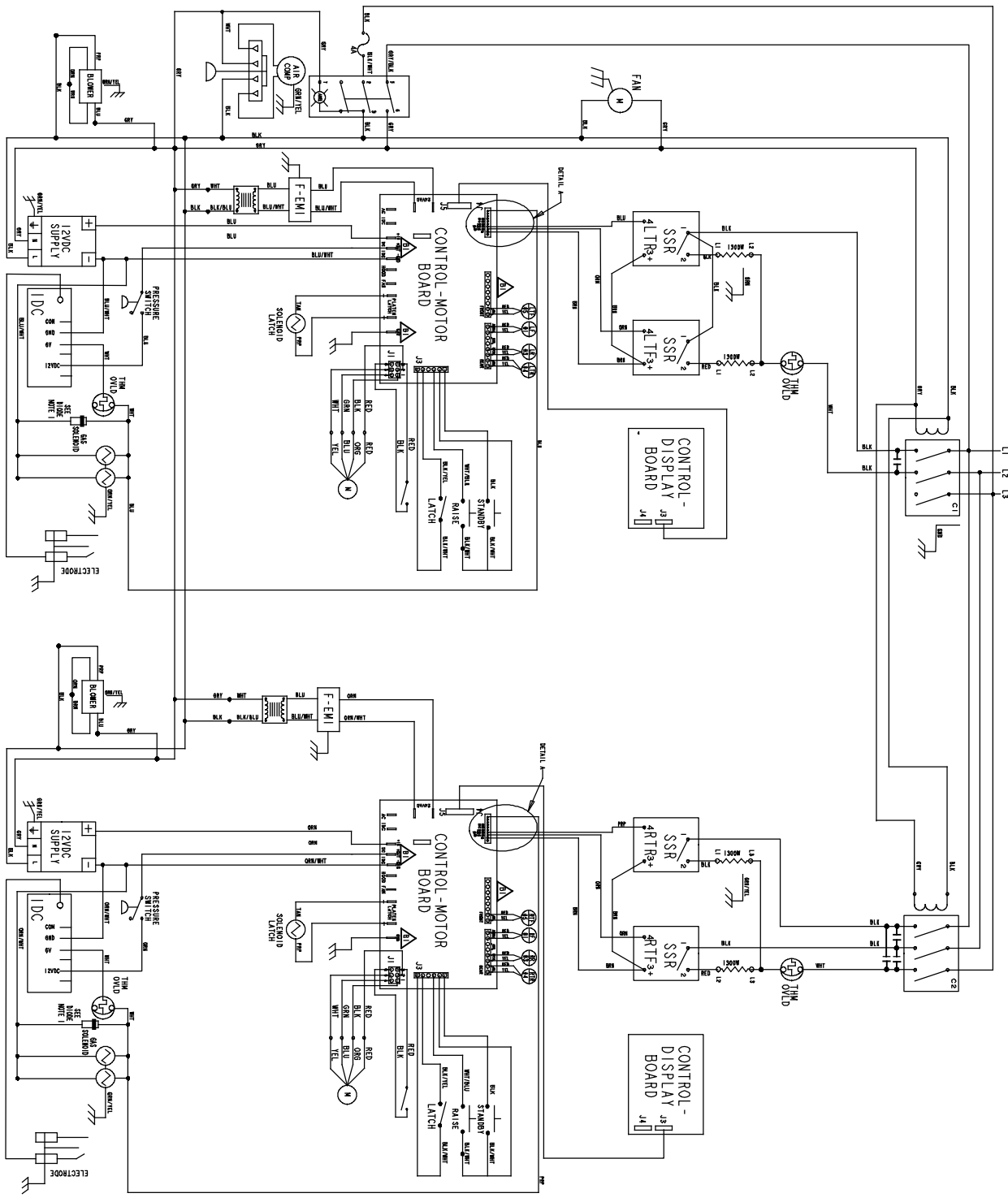
4  
BK HTR  
FT HTR  
TOP REAR HTR  
TOP FRT HTR  
12V  
MTR

DETAIL A

DETAIL B



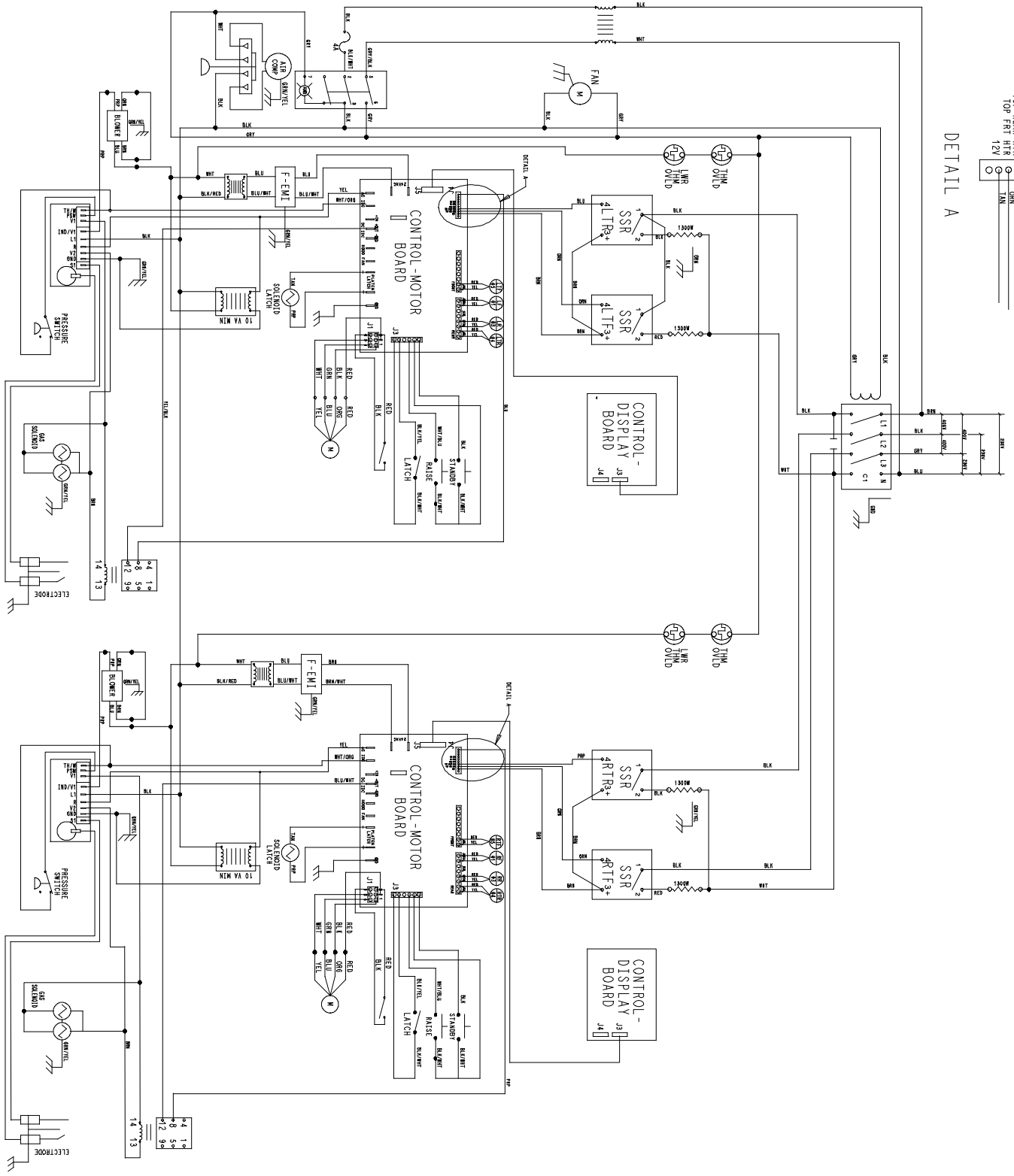
DETAIL A



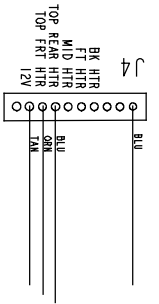
819  
073814-23  
7/12

BK HTR  
 FT HTR  
 W/D HTR  
 TOP REAR HTR  
 TOP FRT HTR  
 12V  
 BLU, OR FRP FEEL CONTROL BOARD  
 GRN  
 TAN  
 LAM

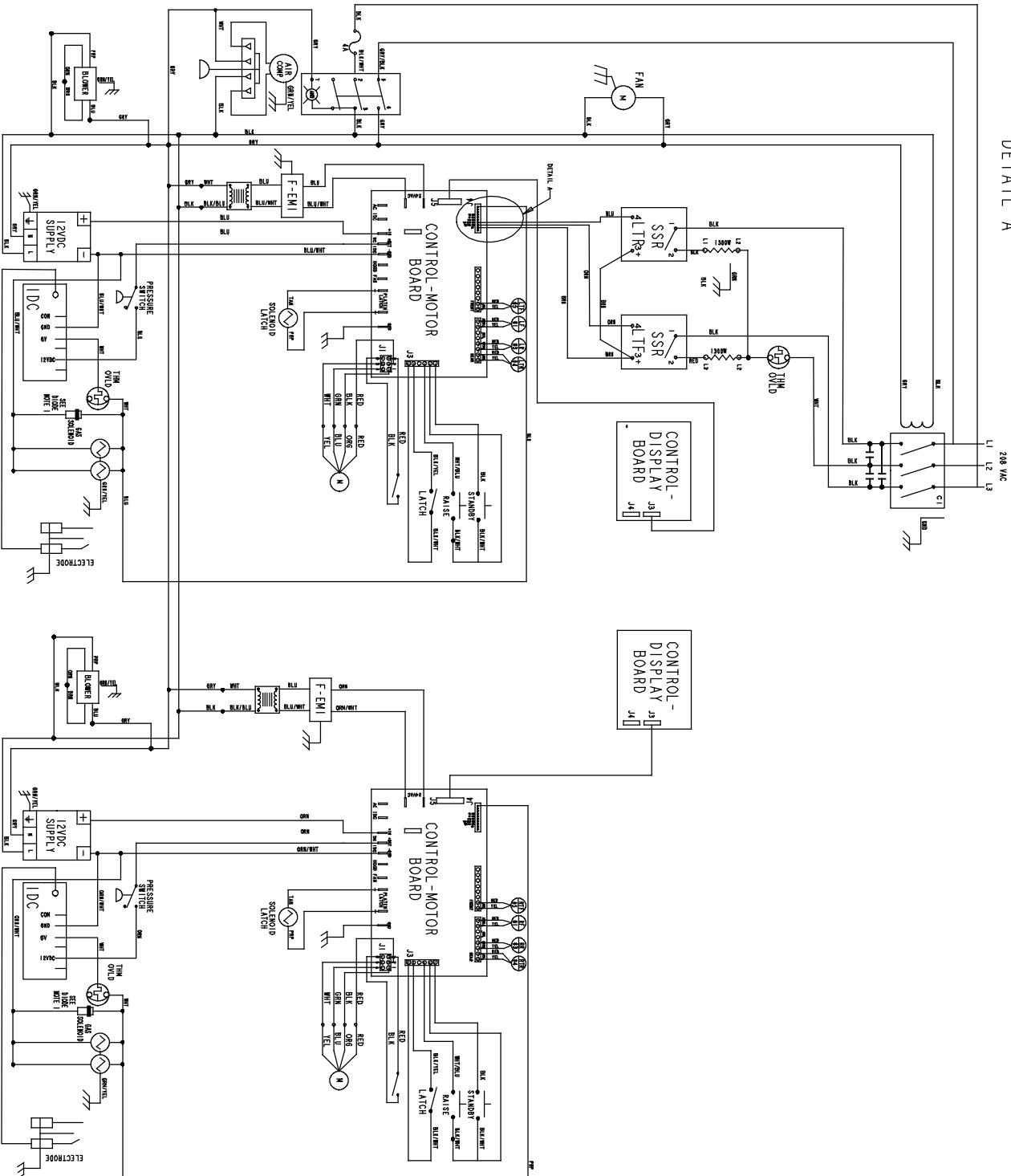
DETAIL A



819  
 073814-75  
 3/13



DETAIL A



821  
069842-23  
7/12

## Free Manuals Download Website

<http://myh66.com>

<http://usermanuals.us>

<http://www.somanuals.com>

<http://www.4manuals.cc>

<http://www.manual-lib.com>

<http://www.404manual.com>

<http://www.luxmanual.com>

<http://aubethermostatmanual.com>

Golf course search by state

<http://golfingnear.com>

Email search by domain

<http://emailbydomain.com>

Auto manuals search

<http://auto.somanuals.com>

TV manuals search

<http://tv.somanuals.com>