



by **TAYLOR**®

# Fruit & Vegetable Juice Extractor Instruction Manual



Item # AJ-1450-BL  
120V ~ 60Hz 300W

Thank you for your purchase of The Biggest Loser™ Fruit & Vegetable Juice Extractor. Please READ this instruction manual carefully before use.

# SAVE THESE INSTRUCTIONS

## TABLE OF CONTENTS

---

Important Safeguards.....	3
Special Instructions.....	4
Introduction .....	4
Descriptive Diagram .....	4
Using your Fruit & Vegetable Juice Extractor .....	5
Cleaning and Maintenance .....	6
Troubleshooting .....	6
Warranty .....	6

# IMPORTANT SAFEGUARDS

When using electrical appliances, basic safety precautions should always be followed, including the following:

1. READ ALL INSTRUCTIONS COMPLETELY BEFORE USING.
2. To protect against electrical shock do not immerse cord, plugs or this appliance in water or any other liquid.
3. Close supervision is necessary when any appliance is used by or near children. Do not allow children to use or play with the appliance.
4. Unplug from outlet when not in use, before putting on or taking off parts and before cleaning. Allow to cool completely before touching. Make sure the motor stops completely before disassembling.
5. Do not run the juicer continuously for more than 4 minutes. After 4 minutes, switch it off and allow it to cool for 2 minutes before starting again.
6. Avoid all contact with moving parts; keep hands, hair, loose clothing and utensils away from the juicer during operation to prevent injury and/or damage to the appliance.
7. Do not operate any appliance with a damaged cord, plug, rotating sieve or after the appliance malfunctions, or is dropped or has been damaged in any manner. Return the appliance to Taylor® (see warranty) for examination, repair or adjustment.
8. Do not use attachments that are not supplied for this appliance from Taylor®. The use of accessory attachments not recommended by Taylor® may cause fire, electric shock, injuries or permanently damage this product. Only use the containers that are supplied in this unit.
9. Do not use outdoors.
10. Do not let cord hang over edge of table or counter, or touch hot surfaces including the stove.
11. Ensure the unit is completely assembled before using. Always make sure the juicer cover is clamped securely in place before the motor is turned on. Do not unfasten the clamps while the juicer is in operation. The unit will not operate if the safety clamps are not fastened securely.
12. Be sure to turn the switch to the OFF position after each use of the juicer. Make sure the motor stops completely and the unit is unplugged before disassembling.
13. Never feed food by hand. Do not put your fingers or other objects into the juicer opening while it is in operation. If food becomes lodged in the opening, use the food plunger or another piece of fruit or vegetable to push it down. When this method is not possible, turn the motor off, unplug and disassemble the juicer to remove the remaining food.
14. Do not overload the appliance or use excessive force to press food through the feeding tube.
15. Do not use the appliance if the rotating sieve is damaged.
16. Blades are sharp; handle very carefully.
17. To disconnect, be sure the unit is off, then remove the plug from the wall outlet by grasping the plug and pulling. Never unplug the appliance by pulling on the cord.
18. When using this appliance, provide adequate air space above and on all sides for air circulation.
19. Do not place this appliance near a hot gas or electric burner or in an oven.
20. Do not leave the appliance unattended during use.
21. Do not use this appliance for other than its intended use.

## SAVE THESE INSTRUCTIONS

## **SPECIAL INSTRUCTIONS**

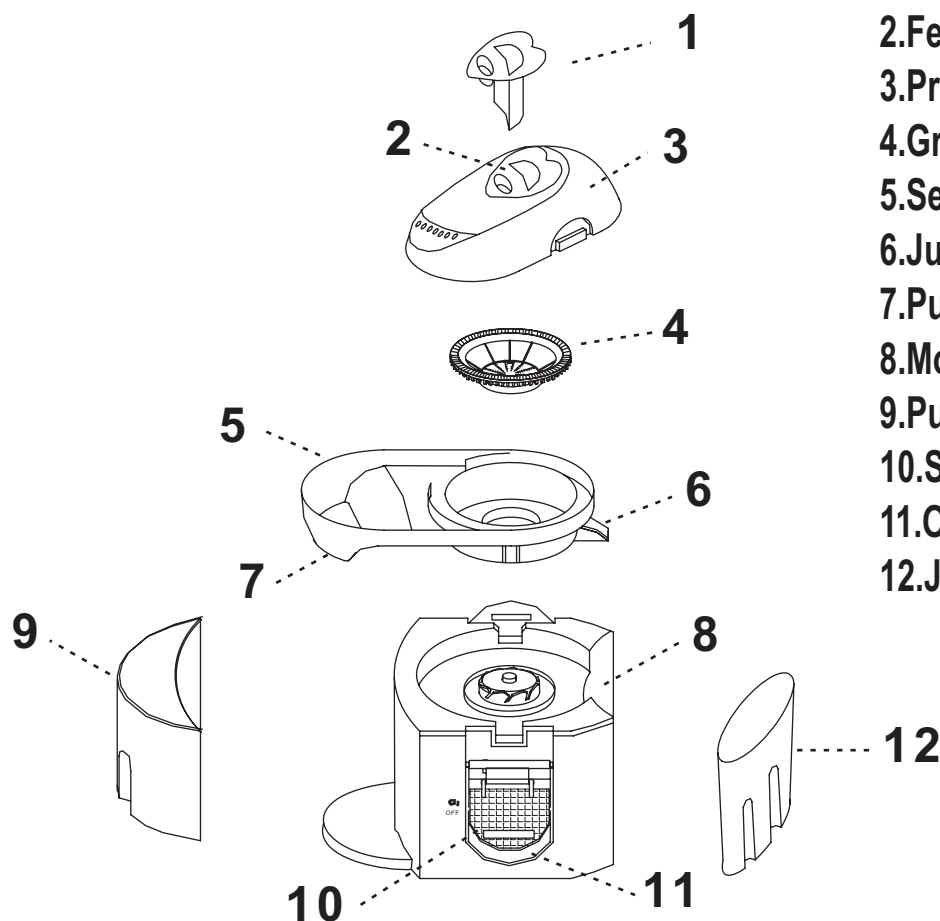
This appliance is for **HOUSEHOLD USE ONLY**.

- This appliance has a polarized plug (one blade is wider than the other). To reduce the risk of electrical shock, this plug will fit in a polarized outlet only one way. If the plug does not fit fully in the outlet, reverse the plug. If it still does not fit, contact a qualified electrician. Do not modify the plug in any way.
- Make sure the voltage in your outlet is the same as the voltage indicated on the appliance. This appliance is for 120 –Volt AC electrical outlet only.
- The length of the cord used on this appliance was selected to reduce the hazards of becoming tangled in or tripping over a long cord. For safety, it is not recommended to use an electrical extension cord with this appliance.
- Do not immerse base of unit, plug or cord in water or other liquids.
- Use with wall receptacle only.
- Do not attempt to service this unit yourself.

## **INTRODUCTION**

Now you can learn how to prepare and enjoy great tasting, healthy meals in minutes using your The Biggest Loser™ Fruit & Vegetable Juice Extractor by Taylor®. You will learn how to make the delicious and easy recipes that cut out calories, but leave in all the taste. The juicer and recipes are great tools to get you on track. There are over 125 more healthy and delicious recipes that you can find in the Biggest Loser Cookbook. When you start eating right, you may feel better, have more energy and feel empowered. For more information on NBC's The Biggest Loser, or to join The Biggest Loser Club, please visit the official Biggest Loser web site at [www.nbc.com/The\\_Biggest\\_Loser.com](http://www.nbc.com/The_Biggest_Loser.com) or [www.biggestloserclub.com](http://www.biggestloserclub.com)

## **DESCRIPTIVE DIAGRAM**



1. Food Plunger
2. Feeder Tube
3. Protective Cover
4. Grater/Filter
5. Separating Unit
6. Juice Spout
7. Pulp Residue Spout
8. Motor Unit
9. Pulp Container
10. Safety Clips
11. On/Off Switch
12. Juice Cup

## **USING YOUR JUICE EXTRACTOR**

### **·BEFORE FIRST USE·**

Make sure the voltage in your outlet is the same as the voltage indicated on the appliance. This appliance is for 120-Volt AC electrical outlet only.

- Remove any bags, labels or stickers from the appliance.
- Clean the unit with a damp soft cloth
- Wash all of the removable parts – container cover, plunger, feeding funnel, grater/filter basket - using a sponge, warm water and mild dish detergent. Rinse and dry carefully.
- Practice assembling and disassembling the unit before operating.

**NOTE: do not immerse the base unit in water when cleaning.**

### **How to use your Juice Extractor**

- Place the unit on a flat, sturdy surface with adequate clearance (i.e., do not place under wall cabinets or on carpeting or other soft surfaces). This appliance is not for use in convection or conventional ovens, microwaves, or on a stovetop.
- Always be sure that the appliance is properly assembled, turned on and running before inserting food.
- Do not force feed the juicer. For most fruits and vegetables, a slow start/stop or jabbing motion will work best. If the juicer starts to vibrate, a slightly stronger push with the firmer item should bring it into balance.
- Firmer items are best used when the pieces are just large enough to fit in the chute. Softer items are best used when cut into smaller pieces. Items with thin skins (tomatoes/grapes) are best when chopped into even smaller pieces. Stringy items like celery should be cut into roughly 2” long pieces for best performance.
- When making a drink that combines more than one fruit or vegetable, it is recommended to alternate the various fruit or vegetable pieces when placing them in the unit. For Example: Carrot/Celery/Tomato Juice – place a couple pieces of one vegetable into the juicer, then a couple of pieces of the second vegetable, then the third vegetable. Repeat rotation until all pieces have been placed in the juicer. This will provide better juicing results than juicing all carrots, then all celery and then all tomatoes.
- When juicing leafy greens, it is recommended that you twist and roll the greens into a ball the size of a golf ball. Always place the greens into the juicer first, followed by firmer produce like carrots or celery. The juice from these firmer vegetables will force additional juice from the greens.
- When juicing soft produce like tomatoes or grapes, it is best to juice slowly, pausing until the flow of juice has slowed down. The fiber of softer produce can clog the holes in the juice basket, so you may have to empty the basket more frequently. It is helpful to alternate with firmer produce.
- When finished juicing, allow the appliance to run for a minute to allow all juice to be extracted from the pulp.
- It is important that you select fresh, firm and crisp produce for best juicing results.
- Whenever possible, drink the juice at once. The sooner the juice is consumed, the greater the benefit from vitamins and nutrients.

If storing the juice, use a glass container and add a few drops of lemon juice to better preserve the juice. **KEEP STORED JUICE REFRIGERATED.**

### **Getting Started·**

- Make sure the appliance is switched off and unplugged.
- Place the separating unit (5) on the motor unit (8), push with both hands on the separating unit until it clicks in place.
- Insert the grater/filter unit (4), turning clockwise until it sits securely.
- Mount the protective cover (3) and fasten the safety locks (10).
- Place the pulp container (9) under the pulp residue spout (7), and set the juice cup (12) under the juice spout (6).
- Clean and wash the fruit or vegetables to be used.
- Cut into appropriate sized pieces for feeding into the feeding funnel. Stones and pips should be removed from fruit.
- Plug the appliance into the power outlet – remove the plug from its storage area to the required length. Remember, the unit will not operate if the safety locks are not properly engaged.
- Start the juice extractor by pushing the power button.
- Insert the prepared fruit and vegetables into the feeding funnel and gently push down with the food plunger. **NEVER USE YOUR FINGERS TO FEED FOOD DOWN INTO THE FUNNEL.**
- **FOOD MUST BE FED INTO THE APPLIANCE WHILE THE MOTOR IS IN OPERATION.**
- Empty the pulp container and the juice container when full (this will probably occur at the same time) before continuing to process more food. Be sure to switch to the OFF position and wait until the motor stops before attempting to open the unit and empty the containers.
- You can make juice from different fruit and vegetables without having to clean your juice extractor, as flavors are not transferred.

## **CLEANING AND MAINTAINENCE**

After each use and before cleaning, unplug the appliance from outlet and allow the unit to stop. **DO NOT ATTEMPT TO CLEAN WHILE THE MOTOR IS RUNNING OR THE COMPONENTS ARE STILL MOVING.**

- **CAUTION: NEVER IMMERSE THE BASE UNIT, CORD OR PLUG IN WATER**
- Open the safety locks by flipping them up and out.
- Remove plunger (1), protective cover (3), pulp container (9) and grater/filter basket (4) and clean under clear running water. A mild dish detergent may be used as well. If using detergent, be sure to rinse and dry thoroughly.
- Remove the separating unit (5), and then pull the grater/filter unit (4) upwards.
- If you have problems removing small particles from the grater/filter basket, a small soft brush will remove remaining particles (i.e. toothbrush, vegetable brush or dish brush).
- Dry all parts thoroughly.
- To facilitate easier cleaning, rinse the grater/filter basket (4) immediately after use.
- **NEVER WASH THE BASE MOTOR UNIT.** To clean the base, wipe clean with a damp sponge and dry immediately. Never use excess water, treated cloths, harsh cleaning agents, or sprays.
- Reassemble all parts and store in a dry place.

## **TROUBLESHOOTING**

- **The Juice Extractor will not operate.**
  - Has a household fuse blown, or has a circuit breaker tripped?
  - Is the power supply cord properly seated in the outlet?
  - Has the cord been damaged in some way? If so, **DO NOT USE THE APPLIANCE.** Contact Customer Service for replacement information.
  - Is the lid in place properly?
  - Are the safety clips connected and properly closed?
- **The Juice Extractor is vibrating.**
  - Are the components securely positioned in the base? If not, turn off the unit and reposition the components onto the unit base. Be sure safety clips are locked into place.
  - Has the Juice Extractor been overloaded? Attempting to process large quantities or large pieces of fruit or vegetables may cause vibration. See section titled "How to use your Juice Extractor."
- **The lid will not seat properly.**
  - Is the product assembled properly?
- **Juice is not flowing to the collection container.**
  - Is there any food blocking the valve?
- **Juicing results are not what I expected.**
  - Is the produce fresh, firm and crisp?
  - Have you removed stones and pips?
  - Note: individual preferences vary; you may need to experiment with juicing combinations to achieve your desired results.

## **WARRANTY INFORMATION**

Taylor® warrants this product to be free from defects in material or workmanship for one (1) year for the original purchaser from date of retail purchase. It does not cover damages or wear resulting from accident, misuse, abuse, commercial use, or unauthorized adjustment and/or repair. If service is required, do not return to retailer. Should this product require service (or replacement at our option), please contact Taylor Customer Service at:

**1-800-289-0944**

There are no expressed warranties except as listed above. This warranty gives you specific legal rights, and you may have other rights which vary from state to state.

If you need replacement parts

·Use only Taylor specified parts. These specified parts will fit right and work right because they are made with the same precision used to build every new Taylor appliance.

Keep this book and your sales slip together for future reference. You must provide proof of purchase for warranty purposes.

For additional product information, or warranty information in Canada or elsewhere outside the USA, please contact us through [www.taylorusa.com](http://www.taylorusa.com)

Taylor® is a registered trademark of Taylor Precision Products and its affiliated companies. All rights reserved.

Made to our exact specifications in China.

*[www.taylorusa.com](http://www.taylorusa.com)*

© 2009 The Biggest Loser is a registered trademark of NBC Studios, Inc., & Reveille LLC. All Rights Reserved.

## Free Manuals Download Website

<http://myh66.com>

<http://usermanuals.us>

<http://www.somanuals.com>

<http://www.4manuals.cc>

<http://www.manual-lib.com>

<http://www.404manual.com>

<http://www.luxmanual.com>

<http://aubethermostatmanual.com>

Golf course search by state

<http://golfingnear.com>

Email search by domain

<http://emailbydomain.com>

Auto manuals search

<http://auto.somanuals.com>

TV manuals search

<http://tv.somanuals.com>