

TEAC

SR-L50



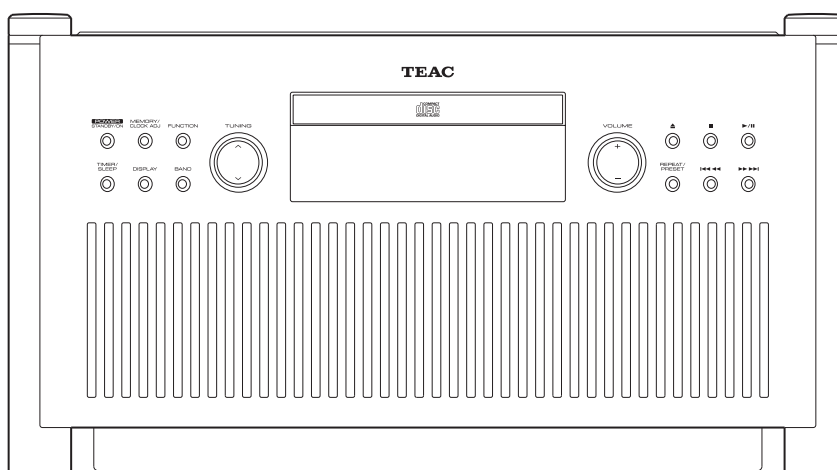
CD Receiver

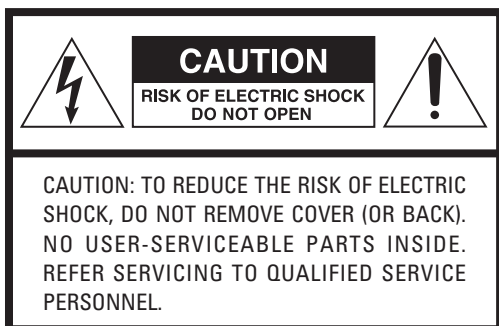
OWNER'S MANUAL MANUEL DU PROPRIÉTAIRE MANUAL DEL USUARIO

ENGLISH

FRANÇAIS

ESPAÑOL





The lightning flash with arrowhead symbol, within an equilateral triangle, is intended to alert the user to the presence of uninsulated “dangerous voltage” within the product’s enclosure that may be of sufficient magnitude to constitute a risk of electric shock to persons.



The exclamation point within an equilateral triangle is intended to alert the user to the presence of important operating and maintenance (servicing) instructions in the literature accompanying the appliance.

IMPORTANT SAFETY INSTRUCTIONS

- 1) Read these instructions.
- 2) Keep these instructions.
- 3) Heed all warnings.
- 4) Follow all instructions.
- 5) Do not use this apparatus near water.
- 6) Clean only with dry cloth.
- 7) Do not block any ventilation openings. Install in accordance with the manufacturer’s instructions.
- 8) Do not install near any heat sources such as radiators, heat registers, stoves, or other apparatus (including amplifiers) that produce heat.
- 9) Do not defeat the safety purpose of the polarized or grounding-type plug. A polarized plug has two blades with one wider than the other. A grounding type plug has two blades and a third grounding prong. The wide blade or the third prong are provided for your safety. If the provided plug does not fit into your outlet, consult an electrician for replacement of the obsolete outlet.
- 10) Protect the power cord from being walked on or pinched particularly at plugs, convenience receptacles, and the point where they exit from the apparatus.
- 11) Only use attachments/accessories specified by the manufacturer.

- 12) Use only with the cart, stand, tripod, bracket, or table specified by the manufacturer, or sold with the apparatus. When a cart is used, use caution when moving the cart/apparatus combination to avoid injury from tip-over.



- 13) Unplug this apparatus during lightning storms or when unused for long periods of time.
- 14) Refer all servicing to qualified service personnel. Servicing is required when the apparatus has been damaged in any way, such as power-supply cord or plug is damaged, liquid has been spilled or objects have fallen into the apparatus, the apparatus has been exposed to rain or moisture, does not operate normally, or has been dropped.
 - Do not expose this apparatus to dripps or splashes.
 - Do not place any objects filled with liquids, such as vases, on the apparatus.
 - Do not install this apparatus in a confined space such as a book case or similar unit.
 - The apparatus draws nominal non-operating power from the AC outlet with its POWER switch in the off position.

For CANADA

AC POWER CORD CONNECTION

CAUTION:
TO PREVENT ELECTRIC SHOCK, MATCH WIDE BLADE OF PLUG TO WIDE SLOT, FULLY INSERT.

Pour le CANADA

CORDE DE CONNEXION CA

ATTENTION:
POUR ÉVITER LES CHOCs ÉLECTRIQUES, INTRODUIRE LA LAME LA PLUS LARGE DE LA FICHE DANS LA BORNE CORRESPONDANTE DE LA PRISE ET POUSSER JUSQU’AU FOND.

WARNING : TO PREVENT FIRE OR SHOCK HAZARD, DO NOT EXPOSE THIS APPLIANCE TO RAIN OR MOISTURE.

CAUTION

- DO NOT REMOVE THE PROTECTIVE HOUSING USING SCREWDRIVER.
- USE OF CONTROLS OR ADJUSTMENTS OR PERFORMANCE OF PROCEDURES OTHER THAN THOSE SPECIFIED HEREIN MAY RESULT IN HAZARDOUS RADIATION EXPOSURE.
- IF THIS PRODUCT DEVELOPS TROUBLE, MAKE A CONTACT WITH OUR SERVICEMAN, AND DO NOT USE THE PRODUCT IN A TROUBLED STATE.

For U.S.A.

This equipment has been tested and found to comply with the limits for a Class B digital device, pursuant to Part 15 of the FCC Rules. These limits are designed to provide reasonable protection against harmful interference in a residential installation. This equipment generates, uses, and can radiate radio frequency energy and, if not installed and used in accordance with the instructions, may cause harmful interference to radio communications. However, there is no guarantee that interference will not occur in a particular installation. If this equipment does cause harmful interference to radio or television reception, which can be determined by turning the equipment off and on, the user is encouraged to try to correct the interference by one or more of the following measures:

- Reorient or relocate the equipment and/or the receiving antenna.
- Increase the separation between the equipment and receiver.
- Connect the equipment into an outlet on a circuit different from that to which the receiver is connected.
- Consult the dealer or an experienced radio/TV technician for help.

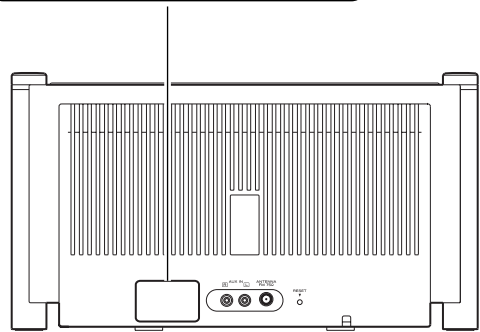
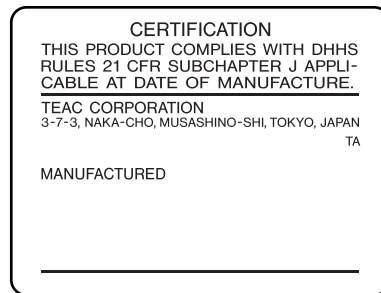
CAUTION

Changes or modifications to this equipments not expressly approved by TEAC CORPORATION for compliance will void the user's warranty.

This product has been designed and manufactured according to FDA regulations "title 21, CFR, chapter 1, subchapter J, based on the Radiation Control for Health and Safety Act of 1968", and is classified as class 1 laser product. There is not hazardous invisible laser radiation during operation because invisible laser radiation emitted inside of this product is completely confined in the protective housings.

The label required in this regulation is shown ①.

① For U.S.A.



Optical pickup :

Type : SLD104AU
Manufacturer : SONY Corporation
Laser output : Less than 0.5 mW on the objective lens
Wavelength : 760 - 800 nm

IMPORTANT (for U.K. Customers)

DO NOT cut off the mains plug from this equipment. If the plug fitted is not suitable for the power points in your home or the cable is too short to reach a power point, then obtain an appropriate safety approved extension lead or consult your dealer.

If nonetheless the mains plug is cut off, remove the fuse and dispose of the plug immediately, to avoid a possible shock hazard by inadvertent connection to the mains supply.

If this product is not provided with a mains plug, or one has to be fitted, then follow the instructions given below:

IMPORTANT. DO NOT make any connection to the larger terminal which is marked with the letter E or by the safety earth symbol \perp or coloured GREEN or GREEN-and-YELLOW.

The wires in the mains lead on this product are coloured in accordance with the following code:

BLUE : NEUTRAL
BROWN : LIVE

As these colours may not correspond with the coloured markings identifying the terminals in your plug proceed as follows:

The wire which is coloured BLUE must be connected to the terminal which is marked with the letter N or coloured BLACK.

The wire which is coloured BROWN must be connected to the terminal which is marked with the letter L or coloured RED.

When replacing the fuse only a correctly rated approved type should be used and be sure to re-fit the fuse cover.

IF IN DOUBT — CONSULT A COMPETENT ELECTRICIAN.

VARNING: APPARATEN INNEHÅLLER LASER KOMPONENT MED STRÅLNING ÖVERSTIGANDE KLASS 1.

"ADVARSEL: USYNLIG LASERSTRÅLING VED ÅBNING NAR SIKKERHEDSAFBRYDERE ER UDE AF FUNKTION. UNDGÅ UDSAETTELSE FOR STRÅLING"

"VAROITUS! SUOJAKOTELOA EI SAA AVATA. LAITE SISÄLTÄÄ LASERDIODIN. JOKA LÄHETTÄ (NÄKYMÄTÖNTÄ) SILMILLE VAARALLISTA LASERSÄTEILYÄ".

ADVARSEL: USYNLIG LASERBESTRÅLING NÅR DENNE DELEN ER ÅPEN OG SIKKERHETSSPERREN ER UTKOBLET UNNGÅ UTSETTELSE FOR STRÅLING.

Obs! nätströmställaren skiljer ej hela apparaten från nätet.

Contents

Thank you for choosing TEAC. Read this manual carefully to get the best performance from this unit.

Before Use	5
Compact Disc	6
Connection	7
Names of Each Control	8
Remote Control Unit	10

CD

Playing a CD	11
Intro Check	13
Repeat Playback	14
Shuffle Playback	14
Programmed Playback	15

TUNER

Listening to the Radio	17
How to Preset Stations	18

AUX

Listening to the External Sources	19
---	----

TIMER

Sleep Timer	19
Clock Adjustment	20
Timer	21

Troubleshooting	23
-----------------------	----

Specifications	23
----------------------	----

Read this before operation

- As the unit may become warm during operation, always leave sufficient space around the unit for ventilation.
- The voltage supplied to the unit should match the voltage as printed on the rear panel. If you are in any doubt regarding this matter, consult an electrician.
- Choose the installation location of your unit carefully. Avoid placing it in direct sunlight or close to a source of heat. Also avoid locations subject to vibrations and excessive dust, heat, cold or moisture.
- Do not place the unit on any high heat-producing units like your amplifier/receiver.
- Do not open the cabinet as this might result in damage to the circuitry or electrical shock. If a foreign object should get into the set, contact your dealer or service agency.
- When removing the power plug from the wall outlet, always pull directly on the plug, never yank the cord.
- To keep the laser pickup clean, do not touch it, and do not forget to close the disc tray when not using the CD player.
- Do not attempt to clean the unit with chemical solvents as this might damage the finish. Use a clean, dry cloth.
- Keep this manual in a safe place for future reference.

DO NOT MOVE THE UNIT DURING PLAYBACK

During playback, the disc rotates at high speed. Do NOT lift or move the unit during playback. Doing so may damage the disc.

WHEN MOVING THIS UNIT

When changing places of installation or packing the unit for moving, be sure to remove the disc. Then, press the power switch to turn the power off, and disconnect the power cord. Moving this unit with the disc loaded may result in damage to this unit.

CAUTION

The product shall not be exposed to dripping or splashing and that no object filled with liquids, such as vases, shall be placed on the product.

Do not install this equipment in a confined space such as a book case or similar unit.

Beware of condensation

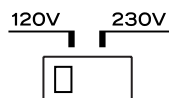
When the unit (or a disc) is moved from a cold to a warm place, or used after a sudden temperature change, there is a danger of condensation; vapor in the air could condense on the internal mechanism, making correct operation impossible. To prevent this, or if this occurs, leave the unit for one or two hours with the power turned on. The unit will stabilize at the temperature of its surroundings.

Maintenance

If the surface of the unit gets dirty, wipe with a soft cloth or use diluted mild soap liquid. Be sure to remove any excess completely. Do not use thinner, benzine or alcohol as they may damage the surface of the unit.

Voltage Conversion

(General export models only)



VOLTAGE
SELECTOR

Be sure to remove the power cord from the AC outlet before repositioning the voltage converter switch.

1. Locate the voltage selector on the bottom of the unit.
2. Using a flat-bladed screwdriver, set to the appropriate 230V or 120V position according to your area.

IN NORTH AMERICA USE ONLY ON 120 V SUPPLY.

Discs which can be played on this unit:

- Conventional audio CDs bearing the CD-DA logo on the label:



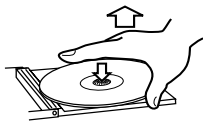
- Properly finalized CD-R discs

Note:

- Depending on the quality of the disc and/or the condition of the recording, some CD-R discs may not be playable.
- CD-RW discs cannot be played on this unit.
- Copy-protected discs and other discs which do not conform to the CD standard may not play back correctly in this player.

If you use such discs in this unit, TEAC Corporation and its subsidiaries cannot be responsible for any consequences or guarantee the quality of reproduction. If you experience problems with such non-standard discs, you should contact the producers of the disc.

- Always place the disc on the disc tray with the label side uppermost. (Compact discs can be played or recorded only on one side.)
- To remove a disc from its storage case, press down on the center of the case and lift the disc out, holding it carefully by the edges.



How to remove the disc

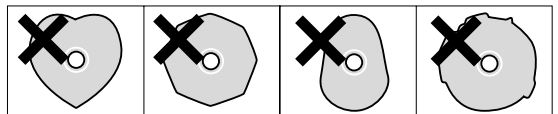


How to hold the disc

- Should the disc become dirty, wipe the surface radially with a soft, dry cloth.



- Never use such chemicals as record sprays, antistatic sprays or fluid, benzine or thinner to clean the discs. Such chemicals will do irreparable damage to the disc's plastic surface.
- Discs should be returned to their cases after use to avoid dust and scratches that could cause the laser pickup to "skip."
- Do not expose discs to direct sunlight or high humidity and temperature for extended periods. Long exposure to high temperatures will warp the disc.
- CD-R discs are more sensitive to the effects of heat and ultraviolet rays than ordinary CDs. It is important that they are not stored in a location where direct sunlight will fall on them, and which is away from sources of heat such as radiators or heat-generating electrical devices.
- Printable CD-R discs aren't recommended, as the label side might be sticky and damage the unit.
- Do not stick papers or protective sheets on the discs and do not use any protective coating spray.
- Use a soft oil-based felt-tipped pen to write the information on the label side. Never use a ball-point or hard-tipped pen, as this may cause damage to the recorded side.
- Never use a stabilizer. Using commercially available CD stabilizers with this unit will damage the mechanisms and cause them to malfunction.
- Do not use irregular shape CDs (octagonal, heart-shape, etc.). CDs of this sort can damage the unit.



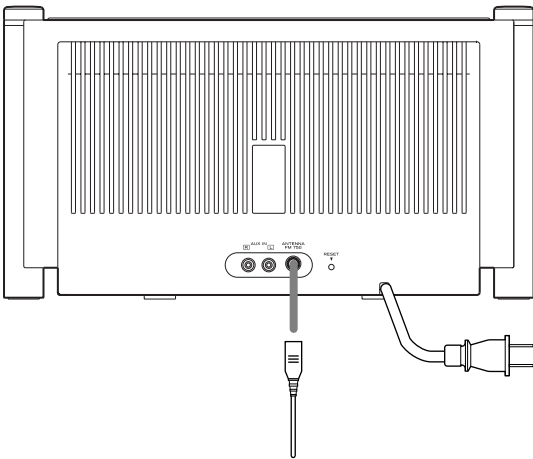
- If you are in any doubt as to the care and handling of a CD-R disc, read the precautions supplied with the disc, or contact the disc manufacturer directly.

CAUTION: Do not plug the power cord of any component into AC outlets and do not turn their POWER switches on until all connections have been performed.

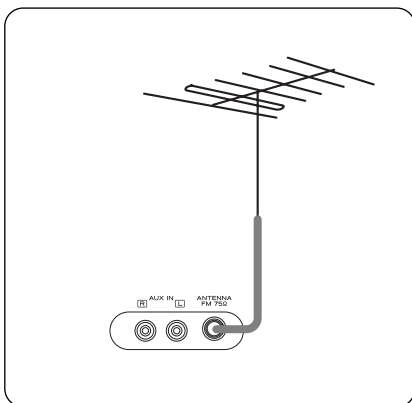
Connection of FM antenna

(U.S.A./Canada and General export models only)

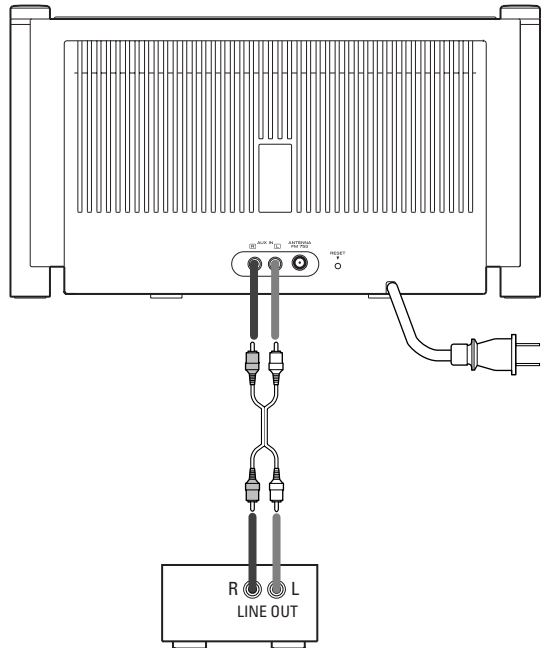
Connect the lead-type FM antenna to the FM antenna terminal. Secure it in the location providing optimum reception.



In an area where FM signals are weak, 75-ohm unbalanced-type outdoor FM antenna (3 elements or more) is recommended.

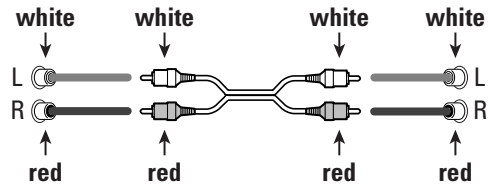


How to connect external sources



VCR, DVD PLAYER, ETC.

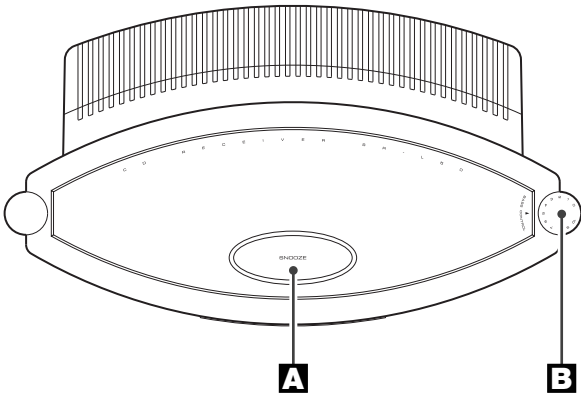
- Read instructions of each component you intend to use with this unit.
- Make sure to connect:



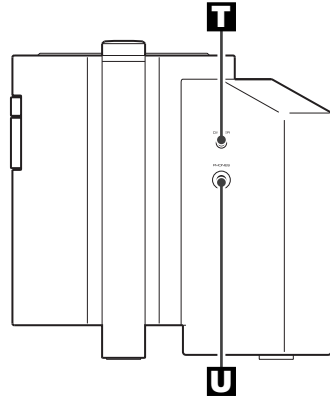
- Be sure to insert each plug securely. To prevent hum and noise, do not bundle the connection cords with the power cord or speaker cord.

Names of Each Control

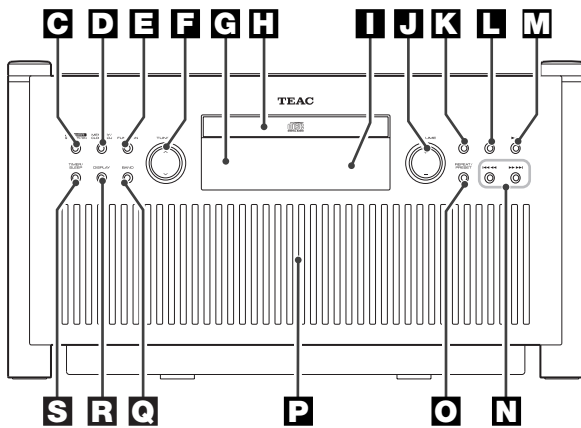
TOP



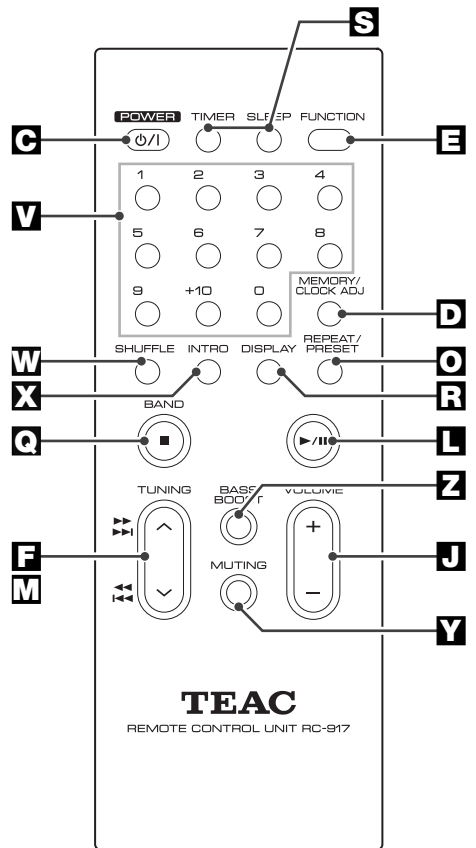
SIDE



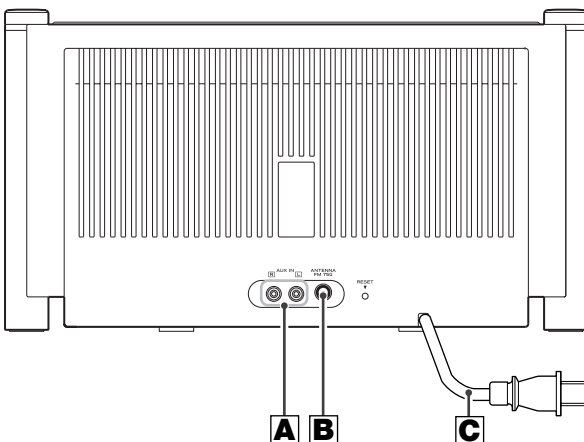
FRONT



REMOTE CONTROL



REAR



A SNOOZE button

After the on time is reached, use this button to turn the unit off for 5 minutes.

B BASS CONTROL knob

Use this control knob to adjust the bass level.

C POWER switch

Press this switch to turn the unit on and off.

D MEMORY/CLOCK ADJ button

Use this button to program tracks or to adjust the clock.

E FUNCTION button

Press this button repeatedly to select a function.

Select "CD" to play a disc.

Select "TUNER" to listen to the radio.

Select "AUX" to listen to the external sources connected to the AUX input jacks.

F TUNING button

Press this button up or down to tune in a station.

G Remote sensor**H Disc tray****I Display****J VOLUME button**

Press this button up or down to adjust the volume.

K OPEN/CLOSE button (▲)

Use this button to open and close the disc tray.

L STOP button (■)

Use this button to stop playback.

M PLAY/PAUSE button (▶/||)

Use this button to start or pause playback.

N SKIP/SEARCH buttons (◀◀ ◀▶ ▶▶ ▶▶)

Press these buttons to skip tracks.

Hold down these buttons to search for a part of a track.

O REPEAT/PRESET button

Use this button to change the repeat mode or select a preset number and station.

P Speakers (stereo)**Q BAND button**

Use this button to select FM or AM.

R DISPLAY button

Use this button to change the display mode.

S TIMER/SLEEP button

Use this button to set the timer or sleep timer.

T DIMMER button

Use this button to dim the display and unit lighting.

U PHONES

Insert the headphones plug into the PHONES jack, and adjust the volume.

Both stereo and monaural earphones can be used with this unit.

V Numeric buttons**W SHUFFLE button**

Use this button to select shuffle playback mode.

X INTRO button

Use this button to start the Intro Check.

Y MUTING button

To cut the sound temporarily, press the MUTING button. Press the MUTING button again to restore the sound. If you change the volume during the muting, the muting will be canceled.

Z BASS BOOST button

Press this button to switch bass boost on and off.

A AUX IN jacks

Connect external sources to these jacks.

B FM antenna terminal (with U.S.A./Canada and General export models)

Connect lead-type FM antenna to this terminal.

FM feeder antenna (with EUROPE model)

Tune in an FM station and extend the lead to find the best position for the reception. Then fix it to the wall with thumb tacks or the like.

C AC Power Cord

Plug this AC power cord into an AC wall socket.

The equipment draws nominal nonoperating power from the AC outlet with its POWER switch in the OFF position.

Remote Control Unit

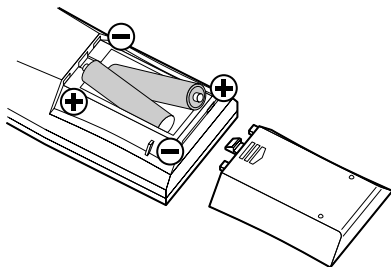
The provided Remote Control Unit allows the unit to be operated from a distance.

When operating the remote control unit, point it towards the REMOTE SENSOR on the front panel of the unit.

- Even if the remote control unit is operated within the effective range, remote control operation may be impossible if there are any obstacles between the unit and the remote control.
- If the remote control unit is operated near other appliances which generate infrared rays, or if other remote control devices using infrared rays are used near the unit, it may operate incorrectly. Conversely, the other appliances may operate incorrectly.

Battery Installation

- 1 Remove the battery compartment cover.
- 2 Insert two "AAA" (R03, SUM-4) dry batteries. Make sure that the batteries are inserted with their positive "⊕" and negative "⊖" poles positioned correctly.
- 3 Close the cover.



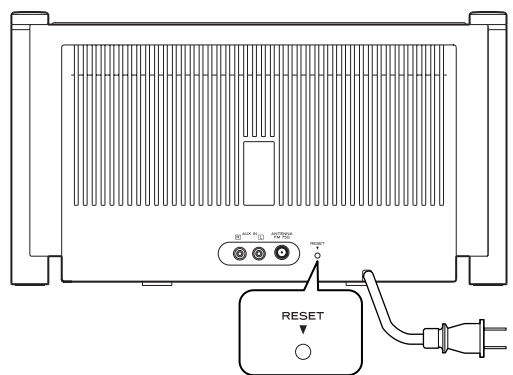
Battery Replacement

If the distance required between the remote control unit and main unit decreases, the batteries are exhausted. In this case replace the batteries with new ones.

Precautions concerning batteries

- Be sure to insert the batteries with correct positive "⊕" and negative "⊖" polarities.
- Use batteries of the same type. Never use different types of batteries together.
- Rechargeable and non-rechargeable batteries can be used. Refer to the precautions on their labels.
- When the remote control unit is not to be used for a long time (more than a month), remove the batteries from the remote control unit to prevent them from leaking. If they leak, wipe away the liquid inside the battery compartment and replace the batteries with new ones.
- Do not heat or disassemble batteries and never dispose of old batteries by throwing them in a fire.

RESET Switch

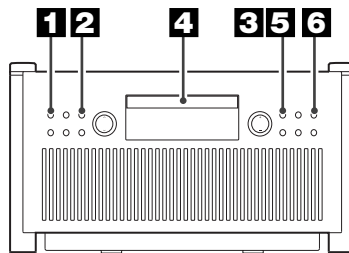


In the following cases, function buttons may not work properly.

- 1) When the system is damaged by some electrical shock.
- 2) When the power is irregular or has electrical noise.

In these cases, press the RESET switch once or twice lightly with a pencil or a ball-point pen.

Playing a CD (1)



1 Press the **POWER** switch to turn the unit **ON**.

POWER
STANDBY/ON



2 Press the **FUNCTION** button repeatedly to select "CD".

FUNCTION

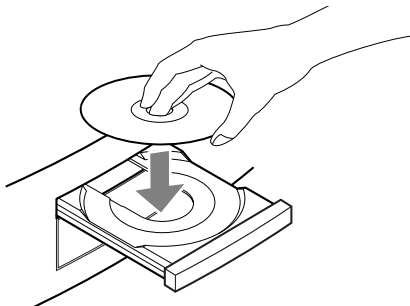


- When no disc is in the unit, "no DISC" will be displayed.

3 Press the **OPEN/CLOSE** button (\blacktriangle) to open the disc tray.



4 Place a disc with the printed label face up.



- Never place more than one disc in the CD player.
- The total number of the tracks and total play time of the disc is displayed.
- It takes a few seconds for the unit to read the contents of the disc. No button will work during reading. Wait until the total number of the tracks and total play time of the disc is displayed.

5 Press the **OPEN/CLOSE** button (\blacktriangle) to close the disc tray.

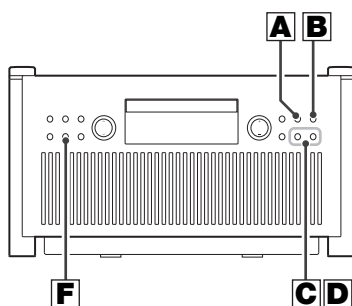


6 Press the **PLAY/PAUSE** button (\blacktriangleright / \parallel) to start playback.



Playback starts from the first track.
When playback of all the tracks has finished, the unit stops automatically.

Playing a CD (2)



A To stop playback

Press the STOP button (■) to stop playback.



B To suspend playback temporarily (pause mode)

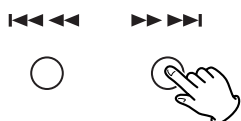
Press the PLAY/PAUSE button (▶/||). Playback stops at the current position.



To resume playback, press the PLAY/PAUSE button (▶/||) again.

C To skip to the next or a previous track

During playback, press the SKIP/SEARCH button (I◀◀ ◀◀ or ▶▶ ▶▶I) repeatedly until the desired track is found. The selected track will be played from the beginning.

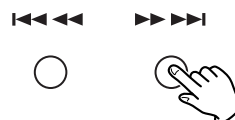


In the stop mode, press the SKIP/SEARCH button (I◀◀ ◀◀ or ▶▶ ▶▶I) repeatedly until the desired track is found, and press the PLAY/PAUSE button (▶/||) to start playback from the selected track.

- When the I◀◀ ◀◀ button is pressed once during playback, the track being played will be played from the beginning. To return to the beginning of the previous track, press the I◀◀ ◀◀ button twice.
- During programmed playback, the next or previous track in the program is played.

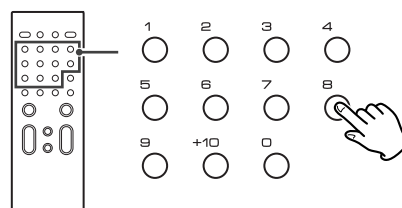
D Search for a part of a track

During playback, hold down the SKIP/SEARCH button (I◀◀ ◀◀ or ▶▶ ▶▶I) and release it when the part you want to listen to is found.



E Direct access play

Press the numeric buttons corresponding to the required track. The player starts from the specified track directly.



Example 1:

To select the track No.5:



Example 2:

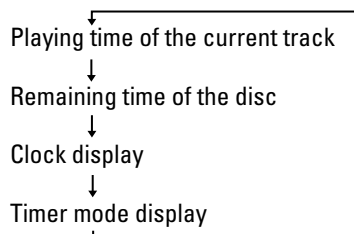
To select the track No.23:



F DISPLAY button

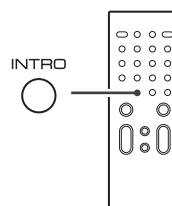


During playback, press this button repeatedly to change the display mode as follows:



- Clock display and timer mode display appears for 4 seconds and returns to original display.
- In the stop mode, remaining time of the disc cannot be selected.

Intro Check



The Intro Check function allows only the beginning of each track to be played for 10 seconds.

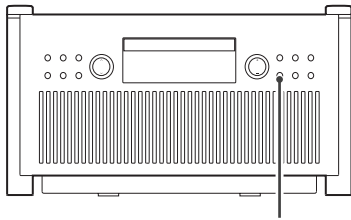
- This function is operational both in the stop mode and during normal playback.

Press the INTRO button.

The INTRO indicator lights in the display, and the Intro Check will start.

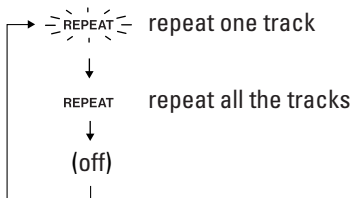
- To return to the normal playback, press the INTRO button again.
- To stop the Intro Check function, press the STOP button (■).
- The Intro Check function also works together with SHUFFLE or REPEAT ONE/ALL functions.
- The Intro Check function also works together with the PROGRAM function.

Repeat Playback



REPEAT/PRESET

Every time the REPEAT/PRESET button is pressed, the REPEAT indicator lights or blinks, and the mode is changed as follows :



Repeat one track

Press the REPEAT/PRESET button once during playback. The repeat indicator blinks. The track being played will be played repeatedly. If you press the SKIP/SEARCH button (◀◀ ◀◀ or ▶▶ ▶▶) or the numeric buttons and select another track, the track you select will be played repeatedly.

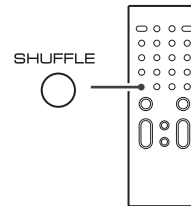
It is also possible to select a track to be repeated in the stop mode. Press the REPEAT/PRESET button and then select the track number by pressing the SKIP/SEARCH button (◀◀ ◀◀ or ▶▶ ▶▶) or the numeric buttons. Press the PLAY/PAUSE button (▶/||) to start playback.

Repeat all the tracks

All the tracks of the disc will be played repeatedly. Press the REPEAT/PRESET button twice. The repeat indicator lights steadily.

- During program playback, only the programmed tracks will be played in order repeatedly.
- If one of the following buttons is pressed, repeat mode will be canceled:
 - OPEN/CLOSE button (▲)
 - STOP button (■)
 - POWER switch
 - FUNCTION button

Shuffle Playback

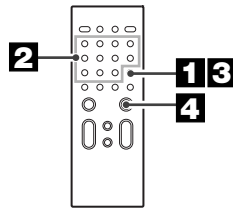


Tracks can be played randomly.

Press the SHUFFLE button in the stop or play mode.
The tracks will be played randomly.

- If you press the SKIP/SEARCH button (▶▶ ▶▶) during shuffle playback, next track will be randomly selected and played. If you press the SKIP/SEARCH button (◀◀ ◀◀), the currently played track will be played from the beginning. A track cannot be replayed during shuffle playback.
- To stop shuffle playback, press the STOP button (■).
- To cancel the shuffle playback mode, press the SHUFFLE button.
- If one of the following buttons is pressed, shuffle mode will be canceled:
 - OPEN/CLOSE button (▲)
 - STOP button (■)
 - POWER switch
 - FUNCTION button

Programmed Playback (1)

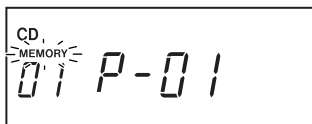


Up to 20 tracks can be programmed in the desired order.

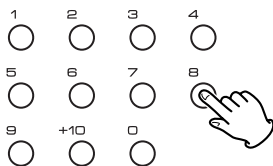
- Shuffle playback does not work during program playback.
- Insert a disc and select "CD" before beginning programming.

1 Press the MEMORY/CLOCK ADJ button in the stop mode.

"MEMORY" indicator blinks, and "P-01" appears on the display.



2 Within 10 seconds, press the numeric buttons to select a track.



Example 1:

To select the track No.5:



Example 2:

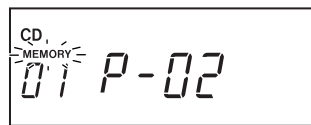
To select the track No.23:



- If the numeric buttons aren't pressed within 10 seconds, program mode will be canceled.

3 Within 10 seconds, press the MEMORY/CLOCK ADJ button.

The track is programmed, and "P-02" is displayed.



Repeat steps **2** and **3** to program more tracks.

- You can program up to 20 tracks.
- You can also use the front panel buttons to select a track number. In this case, press the SKIP/SEARCH button to select a track number and then press the MEMORY/CLOCK ADJ button while "MEMORY" is blinking on the display.
- To cancel the program mode, press the STOP button (■).

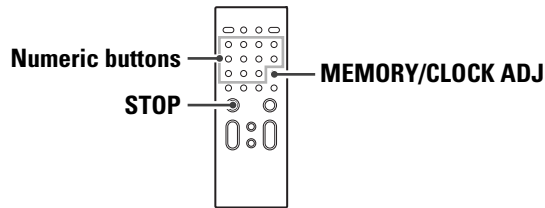
4 When the selection of track numbers is completed, press the PLAY/PAUSE button (▶/||) to start program playback.



If the PLAY/PAUSE button (▶/||) isn't pressed within 10 seconds, the MEMORY indicator will go off. In that case, press the MEMORY/CLOCK ADJ button and then press the PLAY/PAUSE button (▶/||) to start program playback.

The programmed contents are kept in memory even after the FUNCTION button is pressed or the power is turned off.

Programmed Playback (2)



To check the programmed order

In the stop mode, press the MEMORY/CLOCK ADJ button repeatedly to show the track numbers that have been stored in memory.



To add a track to the end of the program

In the stop mode, press the MEMORY/CLOCK ADJ button repeatedly until a track number (00) appears on the display.

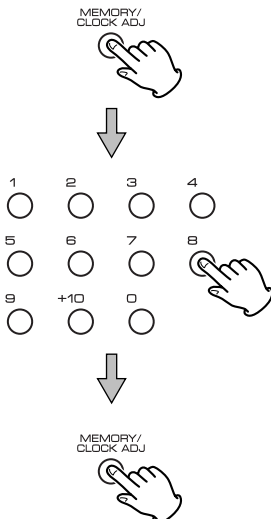
Select a track number by pressing the numeric buttons, and then press the MEMORY/CLOCK ADJ button.

The track is added to the end of the program.

To overwrite the program

In the stop mode, press the MEMORY/CLOCK ADJ button repeatedly until the track number to be changed appears on the display.

Select a new track number by pressing the numeric buttons, and then press the MEMORY/CLOCK ADJ button.



To cancel the program playback mode

Press the STOP button (■).



"MEMORY" indicator disappears, but the programmed contents aren't lost.

To return to the program mode, press the MEMORY/CLOCK ADJ button.

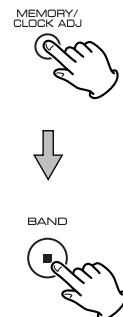
To clear program

In the stop mode, do either of the following to clear the program:

Press the OPEN/CLOSE button (▲) and open it.

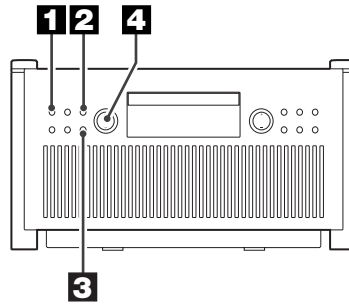


Press the MEMORY/CLOCK ADJ button and then the STOP button (■).



- If the unit is disconnected from the power supply, the programmed contents will be cleared.

Listening to the Radio



1 Press the **POWER** switch to turn the unit ON.

POWER
STANDBY/ON



2 Press the **FUNCTION** button repeatedly to select "TUNER".

FUNCTION



3 Press the **BAND** button to select FM or AM.

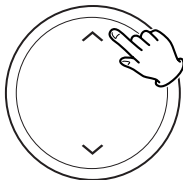
BAND



4 Select the station you want to listen to (auto selection).

Press the **TUNING** button up or down until the frequency display begins to change.

TUNING



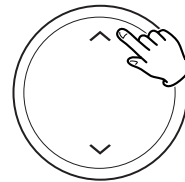
When a station is tuned in, the tuning process will stop automatically.

- Press the **TUNING** button again to stop the auto selection.

Selecting stations which cannot be tuned automatically (manual selection).

Press the **TUNING** button up or down repeatedly until the station you want to listen to is found.

TUNING



ENGLISH

If the reception is poor

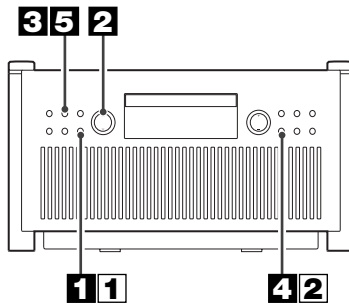
AM broadcast

Turn around the unit to find the best position for AM stations.

FM broadcast

For a good reception, turn around the antenna so that you can get the stations clearly.

How to Preset Stations



In each band, up to 10 stations can be stored in preset memories.

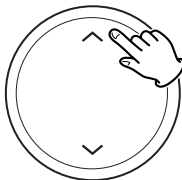
1 Press the **BAND** button to select FM or AM.

BAND

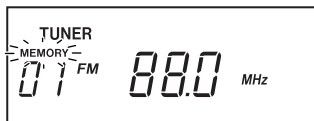


2 Press the **TUNING** button and tune in a station to be stored as a preset station.

TUNING



3 Press the **MEMORY/CLOCK ADJ** button.



MEMORY/
CLOCK ADJ



4 Within 10 seconds, select a preset channel to store the station using the **REPEAT/PRESET** button.

REPEAT/
PRESET



5 Within 10 seconds, press the **MEMORY/CLOCK ADJ** button.

MEMORY/
CLOCK ADJ



- If you press the numeric buttons (1–0) of the remote control unit, you can store the station directly. In this case you don't have to press the MEMORY/CLOCK ADJ button.

To store more stations, repeat steps **1** to **5**.

How to select preset stations

1 Press the **BAND** button to select FM or AM.

BAND



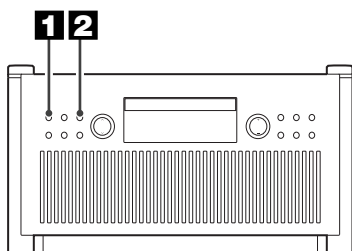
2 Press the **REPEAT/PRESET** button repeatedly and select a preset channel.

REPEAT/
PRESET



If you press the numeric buttons (1–0) of the remote control unit, you can select a preset channel directly. To select preset number 10, press "0" of the remote control unit.

Listening to the External Sources



You can connect external sources such as VCR deck or TV to the AUX input jacks.

1 Press the **POWER** switch to turn the unit ON.

POWER
STANDBY/ON

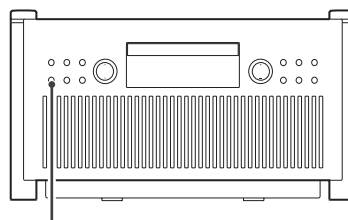


2 Press the **FUNCTION** button repeatedly to select "AUX".

FUNCTION



Sleep Timer



TIMER/SLEEP

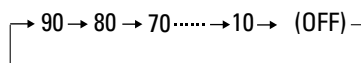
The power can be switched off at the specified time.

When the power is on, press the **TIMER/SLEEP** (or the **SLEEP** button of the remote control unit) button repeatedly until the desired time appears on the display.

TIMER/
SLEEP

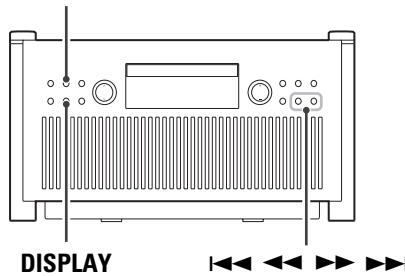


The sleep time can be changed at 10-minute intervals.



Clock Adjustment

MEMORY/CLOCK ADJ



1 In the CD mode or the TUNER mode, press the DISPLAY button to select clock display.

“:” blinks in the clock display.



DISPLAY



- If the AUX is selected or the unit is off, press and hold the MEMORY/CLOCK ADJ button for 2 or more seconds, and continue the procedure from step 2.
- Press the STOP button to cancel the time setting. (In the TUNER mode, press the DISPLAY button.)

2 Within 4 seconds, press and hold the MEMORY/CLOCK ADJ button for 2 or more seconds.

MEMORY/
CLOCK ADJ



3 Press the <left><left> or <right><right> button to select “12H” or “24H”.

<left><left> <right><right>



If you select “12H”, “AM” indicator appears in the morning and “PM” indicator appears after noon.

- In the TUNER mode, use the TUNING button.

4 Press the MEMORY/CLOCK ADJ button.

MEMORY/
CLOCK ADJ



5 Press the <left><left> or <right><right> button to set the current hour.

<left><left> <right><right>



- In the TUNER mode, use the TUNING button.

6 Press the MEMORY/CLOCK ADJ button.

MEMORY/
CLOCK ADJ



7 Press the <left><left> or <right><right> button to set the current minute.

<left><left> <right><right>



- In the TUNER mode, use the TUNING button.

8 Press the MEMORY/CLOCK ADJ button to finish the time setting mode.

MEMORY/
CLOCK ADJ

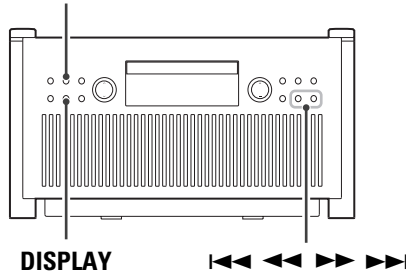


The clock starts from 00 second.

- If the unit is disconnected from the power supply for more than 3 minutes, the clock and timer setting will be reset.
- If the unit is disconnected for less than 3 minutes the time displayed may not be correct.

Timer (1)

MEMORY/CLOCK ADJ



Adjust the clock before setting the timer.

Setting the timer

- 1 Press the **DISPLAY** button to change the timer mode. (In the CD mode or the TUNER mode, press the button twice.)

The "TIMER" indicator blinks on the display.



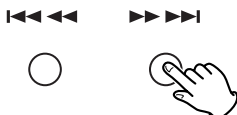
Press the **TIMER** button to change the timer mode, when using the remote control unit.

- 2 Within 4 seconds, press and hold the **MEMORY/CLOCK ADJ** button for 2 or more seconds to change the timer setting mode.



The "TIMER" and hour blinks on the display.

- 3 Press the **←←←←** or **→→→→** button to set the start time (hour).



In the TUNER mode, use the **TUNING** button.

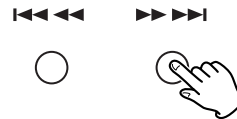
- 4 Press the **MEMORY/CLOCK ADJ** button.

MEMORY/
CLOCK ADJ



The minute blinks on the display.

- 5 Press the **←←←←** or **→→→→** button to set the start time (minute).



In the TUNER mode, use the **TUNING** button.

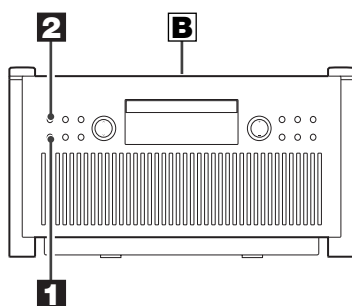
- 6 Press the **MEMORY/CLOCK ADJ** button.

MEMORY/
CLOCK ADJ



Time setting is finished and blinking of the "TIMER" indicator will stop.

Timer (2)



Activating the timer

- 1 Press and hold the **TIMER/SLEEP** button for 2 or more seconds.

TIMER/
SLEEP



Press the **TIMER** button, when using the remote control unit.

- 2 Press the **POWER** button to turn the unit off.

POWER
STANDBY/ON



The unit will turn on at the specified time every day. For the timer to start playback of a CD, press the **FUNCTION** button to select "CD", insert a disc and adjust the volume before turning the unit off. For the timer to start the radio, tune in a station and adjust the volume before turning the unit off.

Don't forget to turn the unit off, or the timer won't work.

- The stop time cannot be set. When the timer playback has been finished, press the **POWER** switch to turn the unit off.
- If the unit is disconnected from the power supply for more than 3 minutes, the clock and timer settings will be reset.

- A To cancel the timer mode

Press and hold the **TIMER/SLEEP** button for 2 or more seconds.

TIMER/
SLEEP



The "TIMER" indicator disappears from the display. Press the **TIMER** button, when using the remote control unit.

- B How to use the snooze function

After the on time is reached, press the **SNOOZE** button and the unit will turn off for 5 minutes then turn on again.



The "SNOOZE" indicator appears on the display while snooze function is activated. You can use this function repeatedly.

Troubleshooting

If you have problems with your system, look through this chart and see if you can solve the problem yourself before calling your dealer or TEAC service center.

General

No power

- Check the connection to the AC power supply.

No sound.

- Adjust the volume.
- If muting is on, press the MUTING button.

The sound is noisy.

- The unit is too close to a TV set or similar appliances. Install the unit further from them, or turn them off.

Tuner

Cannot listen to any station, or signal is too weak.

- Tune in the station properly.
- If a TV is near the unit, turn it off.
- Rotate the unit or antenna wire for the best reception position.

CD Player

Cannot play.

- Load a disc with label side up.
- If the disc is dirty, clean the surface of the disc.
- Don't use scratched, damaged or warped discs.
- Depending on the quality of the disc and/or the condition of the recording, some CD-R discs may not be playable.
- CD-RW discs cannot be played on this unit.
- Copy-prohibited discs may not be playable.

Sound skips.

- Place the unit on a stable place to avoid vibration and shock.
- If the disc is dirty, clean the surface of the disc.
- Don't use scratched, damaged or warped discs.

Remote Control Unit

Remote control doesn't work.

- If the batteries are exhausted, change the batteries.
- Use remote control unit within the range (5m/15ft) and point at the front panel.
- Clear obstacles between the remote control unit and the main unit.
- If a fluorescent light is near the unit, put it off.

Specifications

TUNER Section

Frequency Range (FM):

- 87.50 MHz to 108.00 MHz (100 kHz step)
(U.S.A./Canada Model, General Export Model)
- 87.50 MHz to 108.00 MHz (50 kHz step)
(Europe Model)

Frequency Range (AM):

- 520 kHz to 1,710 kHz (10 kHz step)
(U.S.A./Canada Model, General Export Model)
- 522 kHz to 1,620 kHz (9 kHz step)
(Europe Model)

CD PLAYER Section

Frequency Response:

- 20 Hz to 20 kHz (± 1 dB)

Wow and Flutter:

- Unmeasurable

SPEAKER SYSTEM Section

Type:

- 65 mm 1-way x 2
- 80 mm subwoofer x 1

Impedance:

- 8 ohms (L & R)
- 8 ohm (subwoofer)

GENERAL

Total Output Power:

- 15 W

Power Requirements:

- 120 V, 60 Hz (U.S.A./Canada Model)
- 230 V, 50 Hz (Europe Model)
- 120/230 V, 50-60 Hz (General Export Model)

Power Consumption:

- 40 W

Dimension (W x H x D):

- 389 x 213 x 216 mm (15-7/8" x 8-3/8" x 8-1/2")

Weight:

- 6.0 kg (13-3/16 lbs)

Standard Accessories:

- U.S.A./Canada Model, General Export Model
Remote Control Unit (RC-917)
FM lead-type antenna
- Europe Model
Remote Control Unit (RC-917)

- Design and specifications are subject to change without notice.
- Illustrations may differ slightly from production models.

Sommaire

Nous vous remercions pour l'achat d'un appareil TEAC. Lire ce manuel avec attention pour obtenir les meilleures performances possibles de cet appareil.

Avant Utilisation	25
Disques Compacts	26
Connexions	27
Nomenclature	28
Boîtier de télécommande	30

CD

Lecture du CD	31
Function de contrôle d'introductions	33
Lecture répétitive	34
Lecture aléatoire	34
Lecture programmée	35

TUNER

Ecoute radio	37
Comment préréglé une station	38

AUX

Ecoute à partir d'une source externe	39
--	----

TIMER

Minuterie sommeil	39
Réglage de l'horloge	40
Minuterie	41

Guide de dépannage	43
Spécifications	43

Lire ceci avant de faire fonctionner l'appareil

- L'appareil pouvant dégager de la chaleur lorsqu'il fonctionne, laisser un dégagement suffisant au-dessus de l'appareil afin de permettre une ventilation naturelle.
- La tension d'alimentation de l'appareil doit être celle indiquée à l'arrière de l'appareil. En cas de doute, contacter un électricien.
- Choisir avec soin l'endroit où vous placerez votre appareil. Éviter de le placer directement au soleil ou près d'une source de chaleur. Éviter aussi les endroits sujets à des vibrations, à de la poussière excessive, à la chaleur, au froid ou à l'humidité.
- Ne pas placer l'unité sur des unités produisant de fortes chaleurs tels que votre amplificateur/récepteur.
- Ne pas ouvrir le coffret car ceci risquerait de provoquer des dommages aux circuits ou des chocs électriques. Si un objet rentre dans l'appareil, contacter votre revendeur.
- Lors du débranchement du cordon d'alimentation de la prise murale, toujours tirer sur la fiche et non sur le cordon.
- Pour garder le capteur laser propre, ne pas y toucher et ne pas oublier de fermer le tiroir du disque.
- Ne pas essayer de nettoyer l'appareil avec des solvants chimiques car ceci pourrait endommager le fini de l'appareil. Utiliser un chiffon propre et sec.
- Garder soigneusement ce manuel d'instructions pour une référence ultérieure.

NE DEPLACEZ PAS CET APPAREIL PENDANT L'ÉCOUTE D'UN DISQUE

Pendant une écoute, le disque tourne à grande vitesse. Ne soulevez pas cet appareil et ne le déplacez pas pendant l'écoute d'un disque. En effet, vous risqueriez d'endommager ce disque.

CONSIGNES DE DEPLACEMENT DE CET APPAREIL

Lorsque vous changez de lieu d'installation ou lorsque vous emballez cet appareil pour le déplacer, n'oubliez pas de retirer le disque. Ensuite, appuyez sur le bouton POWER pour couper la chaîne. Débranchez le câble électrique. Si vous déplacez cet appareil alors qu'il contient un disque, vous risquez d'endommager cet appareil.

ATTENTION

Ne pas exposer l'appareil à l'humidité ou aux projections d'eau; ne pas poser d'objets contenant de l'eau, tels qu'un vase, ou un liquide quelconque, sur l'appareil.

Ne pas installer l'appareil dans un endroit clos tel qu'une bibliothèque ou un meuble fermé.

Risque de condensation

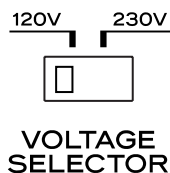
En cas de déplacement de l'appareil (ou d'un disque) d'un endroit froid vers un endroit chaud, ou en cas d'utilisation après un changement de température brutale, il y a un risque de condensation. La vapeur contenue dans l'air peut se condenser sur le mécanisme interne et affecter le bon fonctionnement de l'appareil. Pour éviter ceci, ou au cas où cela venait à se produire, laisser l'appareil sous tension pendant une heure ou deux. Ceci lui permettra de se stabiliser à la température ambiante.

Entretien

Si la surface de l'appareil devient sale, nettoyer celle-ci à l'aide d'un chiffon doux ou utiliser un liquide de nettoyage neutre. La nettoyer entièrement. Ne pas utiliser de diluant, de benzine ou d'alcool car ils risquent d'endommager la surface de l'appareil.

Conversion de tension

(Modèle d'exportation générale seulement)



Assurez-vous de débrancher l'appareil avant de changer la position du convertisseur de tension.

1. Positionner le sélecteur de tension au bas de l'unité.
2. Utilisant un tourne-vis à lame plate, placer en position 230V ou 120V selon votre local.

DANS L'AMÉRIQUE DU NORD: UTILISABLE SUR 120 V D'ALIMENTATION UNIQUEMENT.

Disques pouvant être lus avec ce lecteur :

- CD audio classiques, portant le logo CD-DA sur l'étiquette :



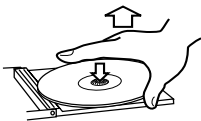
- Disques CD-R correctement finalisés

Note :

- Selon la qualité du disque et/ou la qualité de l'enregistrement, certains disques CD-R risquent de ne pas pouvoir être lus.
- Cet appareil ne permet pas de lire les disques CD-RW.
- Les disques protégés contre la reproduction, ainsi que les disques non-conformes à la norme CD risquent de ne pas pouvoir être lus correctement par ce lecteur.

Si vous utilisez de tels disques dans cette unité, TEAC Corporation et ses filiales ne sont pas tenues pour responsables de toute conséquence ou de la garantie de la qualité de la reproduction. En cas de problèmes avec ce type de disque non standardisé, contactez le fabricant du disque.

- Placer toujours le disque sur le plateau, la face imprimée sur le dessus (les disques compacts ne sont enregistrés que sur une seule face.)
- Pour sortir un disque de son emballage, appuyer sur la partie centrale de l'étui et sortir le disque en veillant à bien le tenir par les bords.



Comment sortir un disque de son emballage

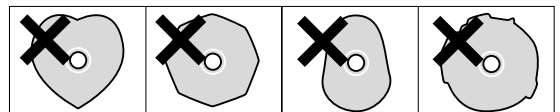


Comment tenir le disque

- Si la surface du disque est sale, l'essuyer soigneusement à l'aide d'un chiffon doux et sec.



- Ne jamais utiliser de produits chimiques, tels que des sprays, des liquides antistatiques, de l'essence ou des diluants pour nettoyer les disques. Ces produits chimiques risquent de provoquer des dégâts irréparables sur la surface en plastique du disque.
- Ranger les disques dans leur étui après utilisation afin d'éviter de les rayer ou que de la poussière ne se dépose, ceci pouvant compromettre la lecture par la tête laser.
- Ne pas exposer les disques à la lumière directe du soleil, à une température élevée ou à une humidité excessive pendant une période prolongée. De telles expositions risquent de provoquer une déformation du disque.
- Les disques CD-R sont plus sensibles aux effets de la chaleur et aux rayons ultraviolets que les disques compacts ordinaires. Il est donc particulièrement important de les ranger dans un endroit à l'abri de la lumière directe du soleil et de toute source de chaleur, telle que des radiateurs ou des appareils électriques, susceptibles de dégager de la chaleur.
- Il est déconseillé d'utiliser des disques CD-R inscriptibles, la face portant l'étiquette risquant d'être collante et d'endommager l'appareil.
- Ne jamais coller d'étiquette ou de feuille de protection sur le disque; ne pas utiliser de spray destiné à déposer sur le disque une couche de protection.
- Utiliser, pour écrire des informations sur la face portant l'étiquette, un feutre utilisant une encre à base d'huile. Ne jamais utiliser de stylo bille ou de stylo à pointe dure, qui risquerait d'abîmer la surface enregistrée du disque.
- Ne jamais utiliser de stabilisateurs. L'utilisation, avec cet appareil, de stabilisateurs pour CD disponibles dans le commerce, pourrait endommager les mécanismes de l'appareil et provoquer son dysfonctionnement.
- Ne pas utiliser de CD ayant une forme irrégulière (octogonale, en forme de cœur, etc.), ceux-ci risquant d'endommager l'appareil.

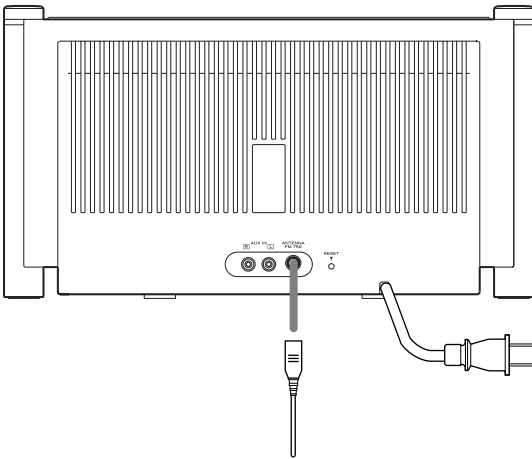


- En cas de doute quant à la manipulation des CD-R, lire les instructions fournies avec le disque ou contacter directement le fabricant du disque.

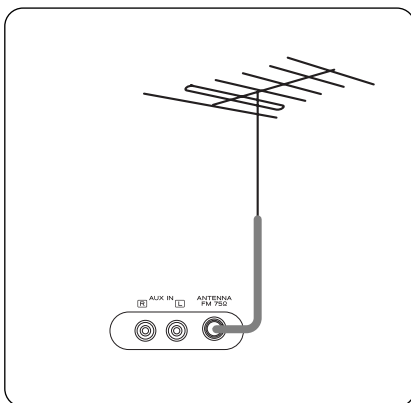
AVERTISSEMENT: Ne pas brancher aucun composants et ne pas les allumer jusqu'à temps que toutes les connexions soit faites.

Branchement de l'antenne FM (modèle Etats-Unis/Canada et modèle général d'exportation uniquement)

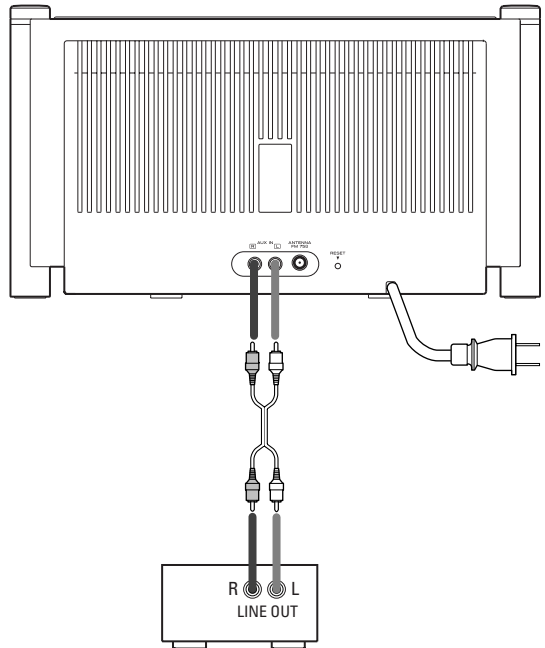
Branchez le fil de l'antenne FM sur le connecteur FM, ensuite le fixer dans la position qui donne la meilleure réception.



Où le signal FM est faible, il sera nécessaire d'utiliser une antenne de trois ou plus éléments extérieure FM de 75 ohms.

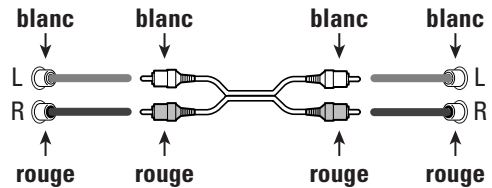


Pour connecter des appareils externes



LECTEUR DVD, VCR, ETC.

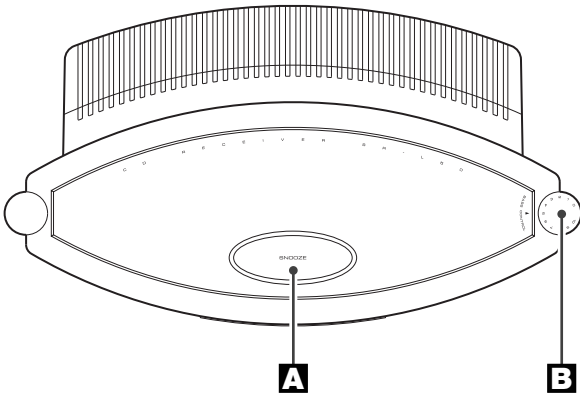
- Lire les instructions de chaque appareil que vous avez l'intention d'utiliser avec cet appareil.
- S'assurer de connecter:



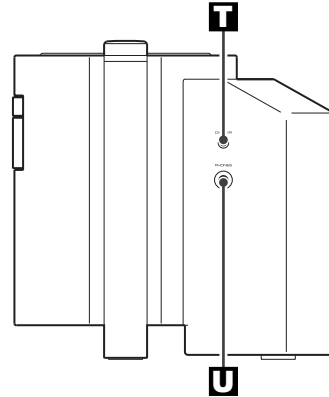
- S'assurer que chaque fiche est enfoncée bien à fond. Pour éviter le ronflement, éloignez les câbles de raccordement du cordon d'alimentation et des câbles des haut-parleurs.

Nomenclature

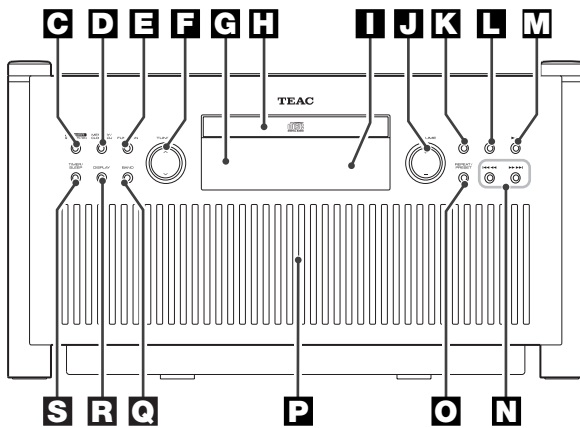
DESSUS



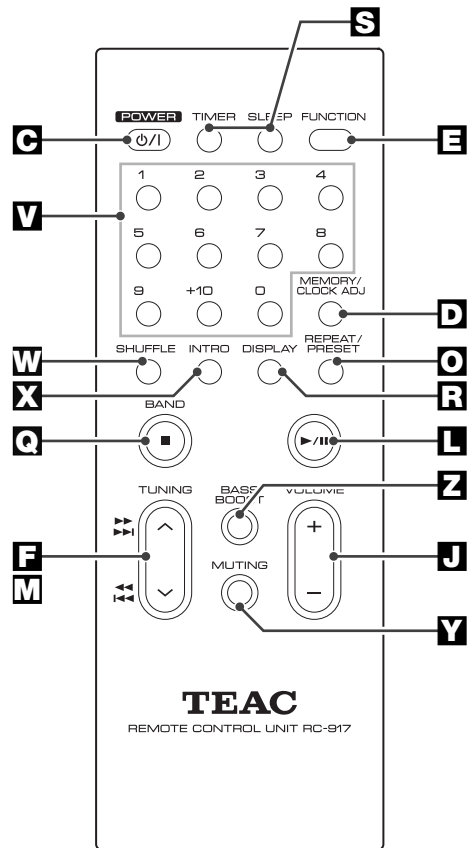
CÔTÉ



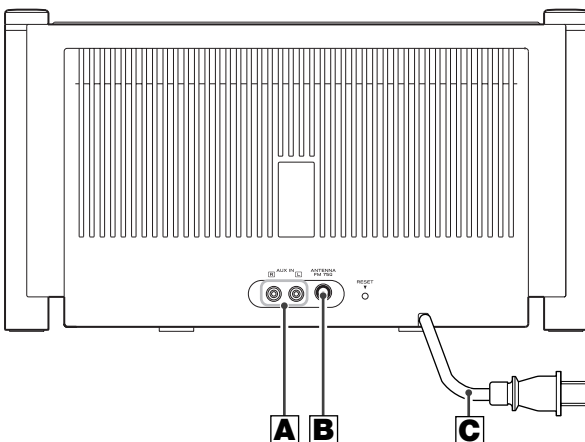
DEVANT



TÉLÉCOMMANDE



DERRIÈRE



A Touche SNOOZE

Après que l'appareil s'est allumé, utiliser cette touche pour l'éteindre pour 5 minutes.

B Bouton CONTROLE DES GRAVES

Utiliser ce bouton de commande pour régler le niveau des basses.

C Commutateur POWER

Appuyer sur cette touche pour allumer ou éteindre l'appareil.

D Touche MEMORY/CLOCK ADJ

Utiliser cette touche pour programmer les pistes ou régler l'horloge.

E Touche FONCTION

Appuyer plusieurs fois sur cette touche pour sélectionner une fonction.

Sélectionner "CD" pour lire un disque.

Sélectionner "TUNER" pour écouter la radio.

Sélectionner "AUX" pour écouter des sources externes connectées aux prises d'entrée AUX.

F Touche TUNING

Appuyer sur cette touche vers le haut ou vers le bas pour rechercher une station.

G Capteur de télécommande**H Tiroir de disque****I Afficheur****J Touche VOLUME**

Appuyer sur la touche vers le haut ou vers le bas pour régler le volume.

K Touche OPEN/CLOSE (▲)

Appuyer sur cette touche pour ouvrir ou fermer le tiroir.

L Touche STOP (■)

Utiliser cette touche pour arrêter la lecture.

M Touche PLAY/PAUSE (▶/||)

Utiliser cette touche pour débuter ou pausé la lecture.

N Touches SKIP/SEARCH (|◀◀ ◀◀/▶▶ ▶▶|)

Appuyer sur ces touches pour sauter des pistes.

Tenir appuyer ces touches pour chercher une section d'une piste.

O Touche REPEAT/PRESET

Utiliser cette touche pour changer le répétage ou choisir un numéro pré-réglé et une station.

P Haut-parleurs (stéréo)**Q Touche BAND**

Utiliser cette touche pour choisir le AM ou le FM.

R Touche d'affichage

Utiliser cette touche pour changer le mode d'affichage.

S Touche TIMER/SLEEP

Utiliser cette touche pour régler le minuteur ou le minuteur de mise en veille.

T Touche DIMMER

Utiliser cette touche pour réduire l'affichage et l'éclairage de l'unité.

U ÉCOUTEURS

Insérer la prise des écouteurs dans cette prise et régler le volume.

Les écouteurs stéréos et monos peuvent être utilisés avec cet appareil.

V Touche numériques**W Touche SHUFFLE**

Utiliser cette touche pour choisir le mode de lecture aléatoire.

X Touche INTRO

Utiliser cette touche pour débuter la vérification Intro.

Y Touche MUTING

Pour couper le son provisoirement, appuyer sur la touche MUTING. Pour rétablir le son, appuyer à nouveau sur cette même touche. Le fait de modifier le volume sonore alors que la fonction MUTING est activée a pour effet d'annuler la fonction MUTING.

Z Touche BASS BOOST

Appuyer sur cette touche pour activer ou désactiver le bass boost.

A Prises d'entrées AUX

Brancher des sources externes à ces prises.

B Borne d'antenne FM (avec modèle Etats-Unis/Canada et modèle général d'exportation)

Brancher l'antenne FM à ce borne.

Antenne FM (avec modèle EUROPE)

Syntoniser un poste FM et étendre l'antenne pour trouver la meilleure position de réception. Ensuite tenir en place sur le mur en utilisant des punaises ou autre.

C Cordon d'alimentation

Brancher ce cordon d'alimentation dans une prise murale CA.

L'équipement fonctionne à raison d'une alimentation nominale de non fonctionnement à partir d'une prise de courant alternative, avec la touche POWER en position OFF.

Boîtier de télécommande

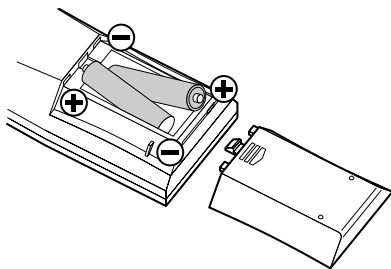
Le boîtier de télécommande fourni permet la commande à distance de l'appareil.

Pour l'utilisation du boîtier de télécommande, le diriger vers le détecteur de télécommande, le diriger vers le détecteur de télécommande du panneau avant de l'appareil.

- Même si le boîtier de télécommande est activé dans la zone de fonctionnement, la commande à distance peut être impossible s'il y a des obstacles entre le lecteur et le boîtier de télécommande.
- Si le boîtier de télécommande fonctionne dans le voisinage d'autres appareils générant des rayons infrarouges, ou si d'autres télécommandes utilisant des rayons infrarouges sont utilisées près du lecteur, le lecteur peut ne pas bien fonctionner. Dans la situation inverse, les autres appareils peuvent ne pas bien fonctionner.

Mise en place des piles

- 1 Retirer le couvercle du compartiment des piles.
- 2 Introduire deux piles "AAA" (R03, SUM-4). S'assurer que les piles sont correctement mises en respectant les polarités plus ⊕ et moins ⊖.
- 3 Fermer le couvercle.



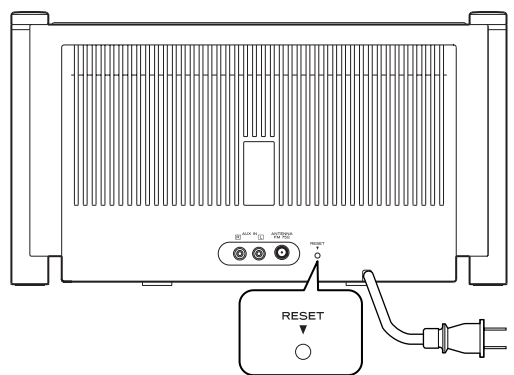
Remplacement des piles

Si vous remarquez que la distance entre le boîtier de télécommande et le lecteur devient plus courte pour un fonctionnement correct, ceci indique que les piles sont usées. Dans ce cas, remplacer les piles par des nouvelles.

Précautions à observer concernant les piles

- Bien placer les piles en respectant les polarités plus ⊕ et moins ⊖.
- Utiliser des piles du même type. Ne jamais essayer d'utiliser des types de pile différents ensemble.
- Des piles ou des batteries peuvent être utilisées. Se référer à leurs étiquettes pour les précautions à respecter.
- Si le boîtier de télécommande n'est pas utilisé pendant une longue période (plus d'un mois), retirer les piles du boîtier de télécommande pour éviter des fuites de pile. Si elles coulent, essuyer le liquide dans le compartiment des piles et remplacer les piles par des neuves.
- Ne pas chauffer ou démonter les piles et ne jamais jeter les anciennes piles dans un feu.

Commutateur RESET

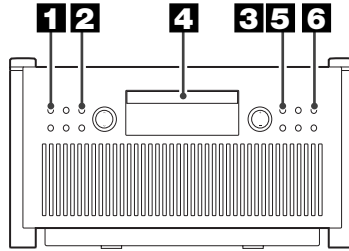


Dans les cas suivants, les boutons de fonctions peuvent ne pas fonctionner correctement.

- 1) Quand le système est endommagé par un choc électrique.
- 2) Quand l'alimentation est irrégulière ou bruyante.

Dans ces cas, appuyer la touche RESET une ou deux fois avec un crayon ou un stylo.

Lecture du CD (1)



1 Appuyer sur le commutateur d'alimentation pour allumer l'appareil.

POWER
STANDBY/ON



2 Appuyer sur la touche FUNCTION répétitivement pour choisir "CD".

FUNCTION

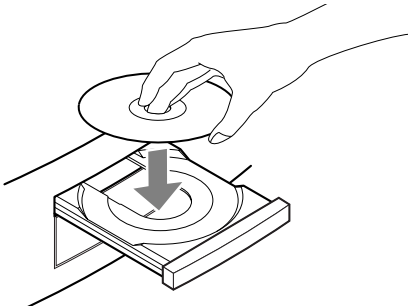


- Si il n'y a pas de disque dans l'appareil "no DISC".

3 Appuyer sur la touche OPEN/CLOSE (▲) pour ouvrir le tiroir de disque.



4 Déposer le disque, face imprimée vers le haut.



- Ne jamais déposer plus d'un disque dans l'appareil.
- Le nombre total de playes et la durée totale de lecture du disque s'affichent.
- L'appareil prend quelques secondes pour lire le contenu du disque. Aucune touche fonctionne durant cette lecture. Attendre que le nombre total de pistes et la durée totale de lecture du disque est affiché.

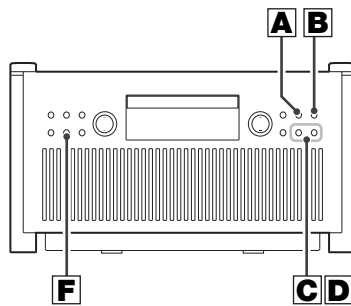
5 Appuyer sur la touche OPEN/CLOSE (▲) pour fermer le tiroir de disque.



6 Appuyer sur la touche PLAY/PAUSE (▶/||) pour débuter la lecture.



La lecture débute à la première piste.
Quand toutes les pistes ont été jouées, l'appareil s'arrête automatiquement.



A Pour l'arrêt de la lecture

Appuyer sur la touche STOP (■) pour arrêter la lecture.



B Pour un arrêt momentané de la lecture (mode pause)

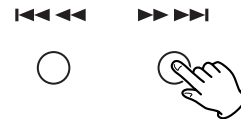
Appuyer sur la touche PLAY/PAUSE (▶/||). La lecture s'arrête à la position courante.



Pour continuer la lecture appuyer sur la touche PLAY/PAUSE (▶/||) de nouveau.

C Pour sauter vers la piste suivante ou précédente

Durant la lecture, appuyer sur la touche SKIP/SEARCH (◀◀◀ ou ▶▶▶) répétitivement jusqu'à temps que la piste désirée est trouvée. La piste choisie va jouée à partir du début.

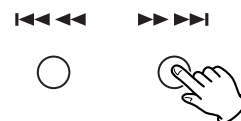


En mode arrêt, appuyer sur la touche SKIP/SEARCH (◀◀◀ ◀◀ ou ▶▶▶ ▶▶) répétitivement jusqu'à temps que la piste désirée est trouvée et appuyer sur la touche PLAY/PAUSE (▶/||) pour commencer la lecture de la piste choisie.

- Quand la touche ◀◀◀ ◀◀ est appuyée une fois durant la lecture, la piste qui joue sera rejouée à partir du début. Pour retourner au début de la piste précédente appuyer sur la touche ◀◀◀ ◀◀ deux fois.
- Durant la lecture programmée, la piste suivante ou précédente du programme est jouée.

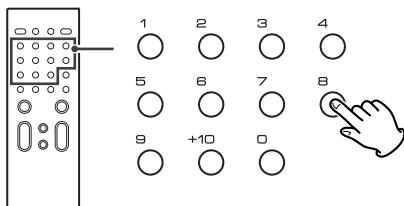
D Recherche d'une section de piste

Durant la lecture, tenir appuyer la touche SKIP/SEARCH (◀◀◀ ◀◀ ou ▶▶▶ ▶▶) et relacher quand vous avez atteint la section de piste désirée.



E Lecture à accès direct

Appuyer sur les touches numériques correspondant au morceau voulu. Le lecteur commence directement à partir du morceau spécifié.



Exemple 1:

Pour lire à partir du 5ème morceau:



Exemple 2:

Pour lire à partir du 23ème morceau:



F Touche DISPLAY

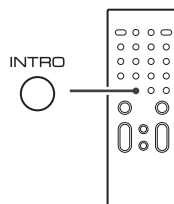
DISPLAY



Durant la lecture, appuyer cette touche répétitivement pour changer le mode d'affichage tel qu'il suit:

Durée de la lecture de la piste courante
↓
Temps qui reste sur le disque
↓
Affichage de l'horloge
↓
Affichage de la minuterie

- Affichage de l'horloge et minuterie apparaissent pour 4 secondes seulement.
- En mode d'arrêt, le temps qui reste du disque ne peut pas être choisi.



La fonction de contrôle d'introductions permet de lire seulement le début de chaque piste pendant 10 secondes.

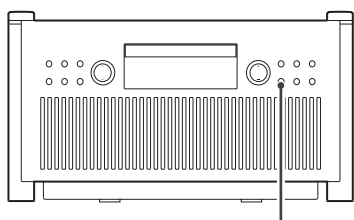
- Cette fonction est opérationnelle dans le mode arrêt et pendant la lecture normale.

Appuyer sur la touche INTRO.

L'indicateur INTRO s'allume dans l'affichage, et la vérification INTRO débutera.

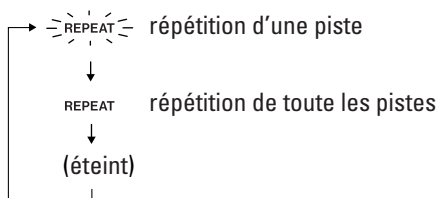
- Pour retourner à une lecture normale, appuyer sur la touche INTRO de nouveau.
- Pour arrêter la fonction vérification INTRO, appuyer sur la touche STOP (■).
- La fonction de contrôle d'introductions marche également avec les fonctions SHUFFLE ou REPEAT ONE/ALL.
- La fonction de contrôle d'introductions marche également avec la fonction PROGRAM.

Lecture répétitive



REPEAT/PRESET

Chaque fois que la touche REPEAT/PRESET est appuyée, l'indicateur REPEAT s'allume ou clignote et le mode est changé tel qu'il suit :



Répétition d'une piste

Appuyer sur la touche REPEAT/PRESET une fois durant la lecture. L'indicateur de répétition clignote. La piste courante est rejouée répétitivement. Si vous appuyez sur la touche SKIP/SEARCH (◀◀ ◀◀ ou ▶▶ ▶▶) ou sur les touches numériques et choisissez une autre piste, cette piste sera jouée répétitivement.

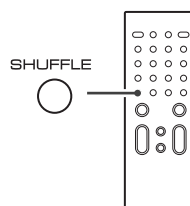
Il est aussi possible de choisir une piste à être répéter en mode arrêt. Appuyer sur la touche REPEAT/PRESET et ensuite choisir le numéro de la piste en appuyant sur la touche SKIP/SEARCH (◀◀ ◀◀ ou ▶▶ ▶▶) ou sur les touches numériques. Appuyer sur la touche PLAY/PAUSE (▶/||) pour commencer la lecture.

Répétition de toute les pistes

Toute les pistes du disque seront répétées. Appuyer sur la touche REPEAT/PRESET deux fois. L'indicateur repeat s'allume solidement.

- Durant la lecture programmée, seulement les pistes programmées seront jouées dans l'ordre répétitivement.
- Si une des touches suivantes est appuyée, le répétagé est annulé:
 - touche OPEN/CLOSE (▲)
 - touche STOP (■)
 - commutateur POWER (ALIMENTATION)
 - touche FUNCTION

Lecture aléatoire



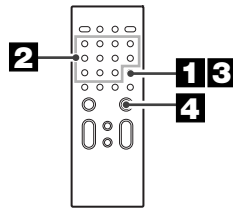
Les pistes peuvent être jouer aléatoirement.

Appuyer sur la touche SHUFFLE mode arrêt (stop) ou en mode lecture (play).

Les pistes seront sélectionnées et lues de façon aléatoire.

- Si vous appuyez sur la touche SKIP/SEARCH (▶▶ ▶▶) durant la lecture aléatoire, la piste suivante sera choisir aléatoirement et jouée. Si vous appuyez sur la touche SKIP/SEARCH (◀◀ ◀◀), la piste courante sera jouée du début. Une piste ne peut pas être jouer durant la lecture aléatoire.
- Pour arrêter la lecture aléatoire, appuyer sur la touche STOP (■).
- Pour annuler la lecture aléatoire, appuyer sur la touche SHUFFLE.
- Si une des touches suivantes est appuyée, la lecture aléatoire est annulée:
 - touche OPEN/CLOSE (▲)
 - touche STOP (■)
 - commutateur POWER
 - touche FUNCTION

Lecture programmée (1)

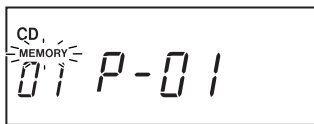


Jusqu'à 20 pistes peuvent être programmer dans l'ordre désiré.

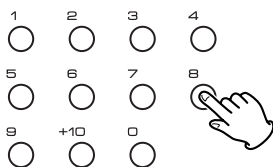
- La lecture aléatoire ne fonctionne pas durant la lecture programmée.
- Insérer un disque et sélectionner "CD" avant le début de la programmation.

1 Appuyer sur la touche **MEMORY/CLOCK ADJ** durant le mode arrêt.

L'indicateur "MEMORY" clignote et "P-01" est affiché.



2 En dedans de 10 secondes, appuyer sur les touches numériques pour choisir une piste.



Exemple 1:

Pour lire à partir du 5ème morceau:



Exemple 2:

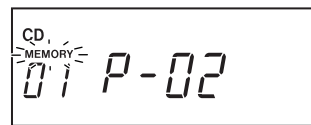
Pour lire à partir du 23ème morceau:



- Si les touches numériques ne sont pas pressées en moins de 10 secondes, le mode programmation est annulé.

3 En dedans de 10 secondes, appuyer sur la touche **MEMORY/CLOCK ADJ**.

La piste est programmée et "P-02" est affiché.



Répéter les étapes **2** et **3** pour programmer d'autre pistes.

- Vous pouvez programmés jusqu'à 20 pistes.
- Vous pouvez aussi utiliser les touches du panneau avant pour choisir un numéro de morceau. Dans ce cas, appuyer sur la touche SKIP/SEARCH pour choisir un numéro de morceau, puis appuyer sur la touche MEMORY/CLOCK ADJ pendant que "MEMORY" clignote sur l'affichage.
- Pour annuler la programmation, appuyer sur la touche STOP (■)

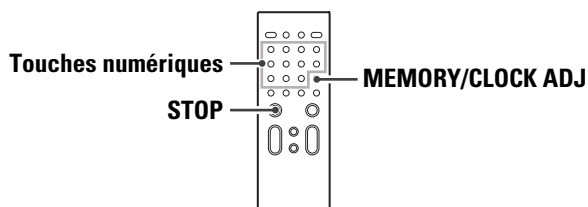
4 Quand vous avez terminés avec votre sélection de pistes, appuyer sur la touche **PLAY/PAUSE** (▶/||) pour commencer la lecture programmée.



Si la touche PLAY/PAUSE (▶/||) n'est pas appuyée en dedans de 10 secondes, l'indicateur MEMORY s'éteint. Dans ce cas, appuyer sur la touche MEMORY/CLOCK ADJ et ensuite appuyer sur la touche PLAY/PAUSE (▶/||) pour commencer la lecture programmée.

La programmation est retenue en mémoire même si la touche FUNCTION est appuyée ou l'appareil est éteint.

Lecture programmée (2)



Pour vérifier l'ordre de programmation

En mode d'arrêt, appuyer sur la touche MEMORY/CLOCK ADJ répétitivement, pour voir les numéros de pistes entreposés en mémoire.



Pour ajouter une piste à la fin du programme

En mode d'arrêt, appuyer sur la touche MEMORY/CLOCK ADJ répétitivement jusqu'à temps que le numéro de piste (00) est affiché.

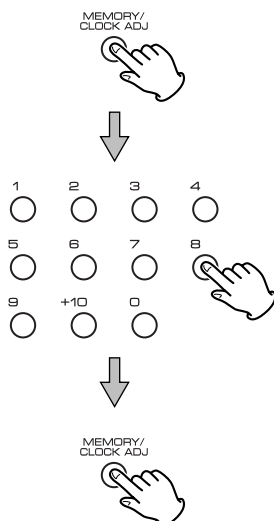
Choisir un numéro de piste en appuyant sur les touches numériques, puis appuyer sur la touche MEMORY/CLOCK ADJ.

La piste est ajoutée à la fin du programme.

Pour recouvrir un programme

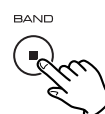
En mode arrêt, appuyer la touche MEMORY/CLOCK ADJ répétitivement jusqu' à temps que le numéro de piste à changer est affiché.

Choisir un nouveau numéro de piste en appuyant sur les touches numériques, puis appuyer sur la touche MEMORY/CLOCK ADJ.



Pour annuler la lecture programmée

Appuyer sur la touche STOP (■).



Le témoin "MEMORY" s'allume, mais le contenu de la programmation n'est pas perdu.

Pour retourner en mode programmation, appuyer sur la touche MEMORY/CLOCK ADJ.

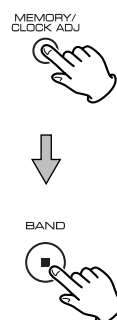
Pour vidanger la programmation

En mode d'arrêt, réaliser une des opérations suivantes pour annuler le programme:

Appuyer sur la touche OPEN/CLOSE (▲) pour l'ouvrir.

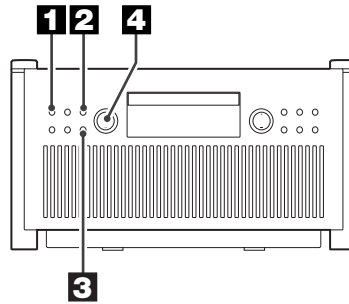


Appuyer sur la touche MEMORY/CLOCK ADJ puis sur la touche STOP (■).



- Si l'appareil est débranché, la programmation est vidangée.

Ecoute radio



1 Appuyer sur le commutateur **POWER** pour allumer l'appareil.

POWER
STANDBY/ON



2 Appuyer sur la touche **FUNCTION** répétitivement pour choisir "TUNER".

FUNCTION



3 Appuyer sur la touche **BAND** pour sélectionner FM ou AM.

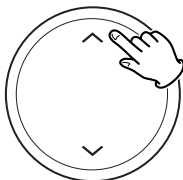
BAND



4 Sélectionner la station que vous voulez écouter (auto sélection).

Appuyer sur la touche **TUNING** vers le haut ou vers le bas jusqu'à temps que la fréquence affichée commence à changer.

TUNING



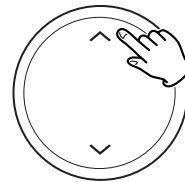
Quand une station est captée, le processus de réglage s'arrête automatiquement.

- Appuyer une nouvelle fois sur la touche **TUNING** pour arrêter la sélection automatique.

Sélection des stations impossibles à régler automatiquement (réglage manuel).

Appuyer plusieurs fois sur la touche **TUNING** vers le haut ou vers le bas jusqu'à obtention de la station souhaitée.

TUNING



Si la réception est mauvaise

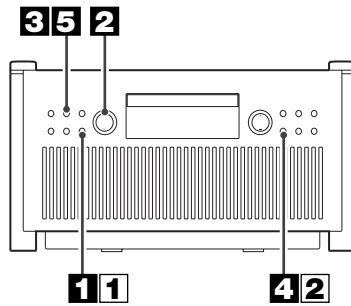
Transmission AM

Tourner l'appareil pour trouver la meilleure position pour les postes AM.

Transmission FM

Pour améliorer la réception, orienter l'antenne jusqu'à ce que vous captiez parfaitement les stations désirées.

Comment préréglé une station



Pour chaque bande, jusqu'à 10 stations peuvent être entreposés en mémoire.

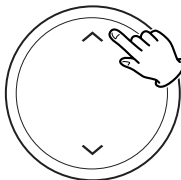
1 Appuyer sur la touche **BAND** pour sélectionner FM ou AM.

BAND

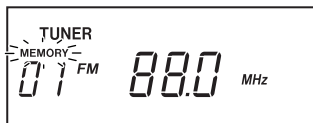


2 Appuyer sur la touche **TUNING** et syntonisez la station pour être entreposé comme station préréglée.

TUNING



3 Appuyer sur la touche **MEMORY/CLOCK ADJ.**



MEMORY/
CLOCK ADJ



4 Dans les 10 secondes qui suivent, sélectionner un canal préréglé pour mémoriser cette station à l'aide de la touche **REPEAT/PRESET**.

REPEAT/
PRESET



5 Dans les 10 secondes qui suivent, appuyer sur la touche **MEMORY/CLOCK ADJ.**

MEMORY/
CLOCK ADJ



- Si vous appuyez sur les touches numériques (1-0) de la télécommande, vous pouvez entreposer la station directement. Dans ce cas, il n'est pas nécessaire d'appuyer sur la touche MEMORY/CLOCK ADJ.

Pour mémoriser d'autres stations, répéter les étapes **1** à **5**.

Sélection des stations préréglées

1 Appuyer sur la touche **BAND** pour sélectionner FM ou AM.

BAND



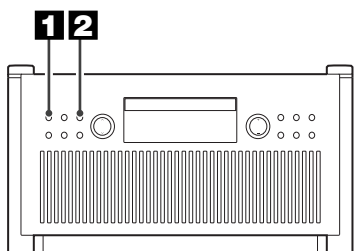
2 Appuyer sur la touche **REPEAT/PRESET** répétitivement et choisir une station préréglée.

REPEAT/
PRESET



Si vous appuyez sur les touches numériques (1-0) de la télécommande, vous pouvez choisir une station préréglée directement. Pour choisir le préréglé numéro 10, appuyer "0" sur la télécommande.

Ecoute à partir d'une source externe



Il est possible de connecter des appareils externes tels qu'une VCR ou un téléviseur aux prises d'entrée AUX.

1 Appuyer sur le commutateur d'alimentation pour allumer l'appareil.

POWER
STANDBY/ON

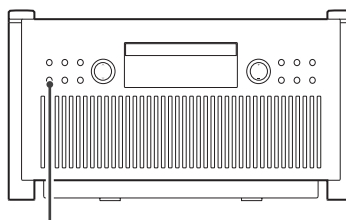


2 Appuyer sur la touche FUNCTION répétitivement pour choisir "AUX".

FUNCTION



Minuterie sommeil



TIMER/SLEEP

L'appareil peut être éteint à une heure choisie.

Quand l'appareil est allumé, appuyer sur la touche TIMER/SLEEP (ou la touche SLEEP de la télécommande) répétitivement jusqu'à temps que l'heure désirée est affichée.

TIMER/
SLEEP

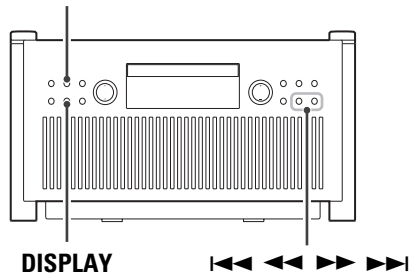


La minuterie sommeil peut être réglé à des intervalles de 10 minutes.

→ 90 → 80 → 70 → 10 → (éteint)

Réglage de l'horloge

MEMORY/CLOCK ADJ



1 En mode de CD ou de TUNER, appuyer sur la touche DISPLAY pour choisir l'affichage de l'horloge.

":" clignote dans l'afficheur de l'horloge.

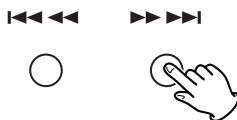


- En cas de sélection de AUX ou si l'unité est éteinte, maintenir pressée la touche MEMORY/CLOCK ADJ pendant 2 secondes ou plus et continuer la procédure à partir de l'étape 3.
- Appuyer sur la touche STOP pour annuler le réglage de l'heure. (En mode de TUNER, appuyer sur la touche DISPLAY.)

2 En dedans de 4 secondes, appuyer et retenir la touche MEMORY/CLOCK ADJ pour 2 secondes ou plus.



3 Appuyer sur la touche $| \ll \ll \ll$ ou $| \gg \gg \gg$ pour choisir "12H" ou "24H".



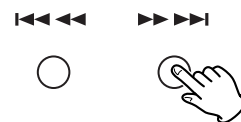
Si vous choisissez "12H", le témoin "AM" s'allume pour le matin et le témoin "PM" s'allume pour l'après-midi.

- En mode de TUNER, utiliser la touche TUNING.

4 Appuyer sur la touche MEMORY/CLOCK ADJ.



5 Appuyer sur la touche $| \ll \ll \ll$ ou $| \gg \gg \gg$ pour régler l'heure.

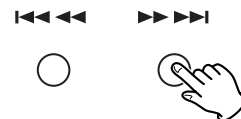


- En mode de TUNER, utiliser la touche TUNING.

6 Appuyer sur la touche MEMORY/CLOCK ADJ.



7 Appuyer sur la touche $| \ll \ll \ll$ ou $| \gg \gg \gg$ pour régler les minutes.



- En mode de TUNER, utiliser la touche TUNING.

8 Appuyer sur la touche MEMORY/CLOCK ADJ pour finir le réglage de l'horloge.

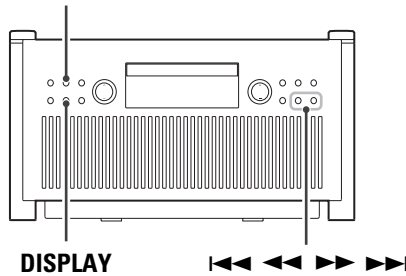


L'horloge démarre à 00 seconde.

- Si l'appareil est débranché pour plus de 3 minutes, l'horloge et la minuterie devront être régler de nouveau.
- Si l'appareil est débranché pour moins de 3 minutes, il est possible que l'heure affichée est inexacte.

Minuterie (1)

MEMORY/CLOCK ADJ



Régler l'horloge avant de régler la minuterie.

Réglage de la minuterie

1 Appuyer sur la touche DISPLAY pour changer le mode de minuterie. (En mode de CD ou de TUNER, appuyer sur la touche deux fois.)

Le témoin "TIMER" clignote.



DISPLAY



Appuyer sur la touche TIMER pour changer le mode de minuterie, quand vous utilisez la télécommande.

2 En dedans de 4 secondes, appuyer et retenir la touche MEMORY/CLOCK ADJ pour 2 secondes ou plus pour changer le mode de réglage de la minuterie.

"TIMER" et l'heure clignotent.



MEMORY/
CLOCK ADJ



3 Appuyer sur la touche $| \ll \ll \ll$ ou $\gg \gg \gg |$ pour régler le temps du démarrage (heure).

$| \ll \ll \ll$ $\gg \gg \gg |$



En mode de TUNER, utiliser la touche TUNING.

4 Appuyer sur la touche MEMORY/CLOCK ADJ.

MEMORY/
CLOCK ADJ



Les minutes clignotent.

5 Appuyer sur la touche $| \ll \ll \ll$ ou $\gg \gg \gg |$ pour régler le temps du démarrage (minute).

$| \ll \ll \ll$ $\gg \gg \gg |$



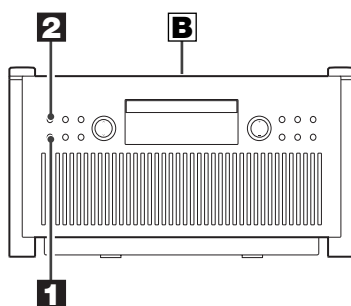
En mode de TUNER, utiliser la touche TUNING.

6 Appuyer sur la touche MEMORY/CLOCK ADJ.

MEMORY/
CLOCK ADJ



Le réglage de l'heure est terminé et le clignotement du témoin "TIMER" s'arrête.



Activation de la minuterie

- 1** Appuyer et retenir la touche **TIMER/SLEEP** pour 2 secondes ou plus.

TIMER/
SLEEP



Appuyer sur la touche **TIMER**, quand vous utilisez la télécommande.

- 2** Appuyer sur la touche **POWER** pour éteindre l'appareil.

POWER
STANDBY/ON



L'appareil s'allumera à l'heure spécifiée chaque jour.

Pour une lecture minutée d'un CD, appuyer sur la touche **FUNCTION** pour choisir "CD", insérer un disque et régler le volume avant d'éteindre l'appareil.

Pour une lecture minutée de la radio, capter une station et régler le volume avant d'éteindre l'appareil.

Ne jamais oublier d'éteindre l'appareil, sinon la minuterie ne fonctionnera pas.

- L'heure d'arrêt ne peut pas être réglée. Quand la lecture minutée est terminée, appuyer sur la touche **POWER** pour éteindre l'appareil.
- Si l'appareil est débranché pour plus de 3 minutes, l'horloge et la minuterie devront être réglées de nouveau.

- A** Pour annulement du mode minuterie

Appuyer et retenir sur la touche **TIMER/SLEEP** pour 2 secondes ou plus.

TIMER/
SLEEP



Le témoin "TIMER" disparaît.

Appuyer sur la touche **TIMER**, quand vous utilisez la télécommande.

- B** Comment utiliser la fonction sommeil

Une fois que l'heure de mise en marche est atteinte, appuyer sur la touche **SNOOZE** et l'appareil s'éteindra pour 5 minutes pour ensuite revenir en marche.



Le témoin "SNOOZE" s'allume quand la fonction sommeil est activée.

Vous pouvez utiliser cette fonction répétitivement.

En cas de problème, commencer par chercher dans ce tableau pour voir si on peut trouver soi-même la solution avant de contacter le revendeur ou le centre de service client TEAC.

Généralité

L'appareil ne s'allume pas.

- Vérifiez que l'appareil est bien branché à la source d'alimentation CA.

Aucun son ne sort des enceintes.

- Réglez le volume.
- Si la fonction "Silence" est active, appuyez sur la touche MUTING.

Bruits parasites.

- L'appareil est placé à proximité d'un poste de télévision ou d'un autre appareil analogue. Installez l'appareil plus loin de ces derniers, ou mettez ceux-ci hors tension.

Syntonisateur

Aucune station ne peut être captée, ou niveau sonore trop faible.

- Se régler précisément sur la station désirée.
- Si l'appareil se trouve à proximité d'un poste de télévision, éteindre ce dernier.
- Installez de nouveau l'antenne après avoir repéré la meilleure position de réception.

Lecteur de disque compact

Ne fonctionne pas.

- Placez un disque compact dans la platine, face imprimée vers le haut.
- Si le disque est sale, en nettoyer la surface.
- Evitez d'utiliser des disques rayés, abîmés ou voilés.
- Dépendant de la qualité du disque et/ou la condition de l'enregistrement, certains disques CD-R ne joueront pas.
- Les disques CD-RW ne joueront pas.
- Disques défense de copie ne joueront pas.

Le son n'est pas stable.

- Placez l'appareil sur un support stable de façon à éviter les vibrations et les chocs.
- Si le disque est sale, en nettoyer la surface.
- Evitez d'utiliser des disques rayés, abîmés ou voilés.

Télécommande

La télécommande ne fonctionne pas.

- Si les batteries sont usées, remplacez-les.
- Sans dépasser la portée (5 m) de la télécommande, l'orientez vers la face avant de l'appareil.
- Enlevez tout objet pouvant faire obstacle entre la télécommande et l'appareil.
- Eteignez tout éclairage fluorescent à proximité de cet appareil.

Section SYNTONISATEUR

Gamme de fréquence (FM):

87,50 MHz à 108,00 MHz (étape 100 kHz)
(Modèle Etats-Unis/Canada, Modèle général d'exportation)

87,50 MHz à 108,00 MHz (étape 50 kHz)
(Modèle Europe)

Gamme de fréquence (AM):

520 kHz à 1710 kHz (étape 10 kHz)
(Modèle Etats-Unis/Canada, Modèle général d'exportation)

522 kHz à 1620 kHz (étape 9 kHz)
(Modèle Europe)

Section LECTEUR DISQUE COMPACTE

Réponse de fréquence:

20 Hz à 20 kHz (± 1 dB)

Pleurage & scintillement:

Non-mesurable

Section Système de HAUT-PARLEUR

Type:

65 mm 1 voie x 2
80 mm subwoofer x 1

Impédance:

8 ohms (L et R)
8 ohm (subwoofer)

GÉNÉRALITÉ

Puissance de sortie totale :

15 W

Alimentation:

120 V, 60 Hz (Modèle Etats-Unis/Canada)
230 V, 50 Hz (Modèle Europe)
120/230 V, 50-60 Hz
(Modèle général d'exportation)

Consommation:

40 W

Dimension (L x H x P):

389 x 213 x 216 mm

Poid (net):

6,0 kg

Accessoires Standard

Modèle Etats-Unis/Canada, Modèle général d'exportation
Télécommande (RC-917)
Antenne FM câblée
Modèle Europe
Télécommande (RC-917)

- Des améliorations peuvent produire des changements dans les caractéristiques et fonctions sans préavis.
- Les illustrations peuvent différer légèrement des modèles de production.

Indice

Gracias por comprar un TEAC. Lea este manual con cuidado para obtener el mejor rendimiento de esta unidad.

Antes de usar	45
Disco compacto	46
Conexión	47
Nombres de cada control	48
Unidad de control remoto	50

CD

Reproducción de CD	51
Comprobación de introducción	53
Reproducción repetida	54
Reproducción aleatoria	54
Reproducción programada	55

TUNER

Cómo escuchar la radio	57
Cómo preestablecer estaciones	58

AUX

Cómo escuchar fuentes externas	59
--------------------------------------	----

TIMER

Contador de tiempo Sleep (dormir)	59
Ajuste de reloj	60
Despertador	61

Corrección de fallas	63
Especificaciones	63

Leer antes de la operación

- Debido a que la unidad puede calentarse durante la operación, siempre deje espacio suficiente encima de la unidad para ventilación.
- El voltaje administrado a la unidad debe coincidir con el voltaje impreso en el tablero posterior. Si tiene dudas con respecto a esto, consulte con un electricista.
- Elija la ubicación de la instalación para su unidad de manera cuidadosa. Evite colocarla expuesta directamente a la luz del sol o cerca de una fuente de calor. Así mismo, evite ubicaciones sujetas a vibraciones y a polvo, calor o humedad excesivos.
- No coloque la unidad en unidades productoras de calor, como amplificador/receptor.
- No abra el gabinete ya que esto podría dar como resultado un daño a los circuitos o una descarga eléctrica. Si un objeto extraño se llegara a introducir en el aparato, contacte a su distribuidor.
- Al retirar la conexión de energía de la salida de pared, siempre jale directamente de la clavija, nunca tire del cable.
- Para mantener el sensor óptico láser limpio, no lo toque y no se olvide de cerrar la charola de discos.
- No intente limpiar la unidad con solventes químicos ya que podrían dañar el acabado. Utilice una tela limpia y seca.
- Mantenga este manual en un lugar seguro para referencias futuras.

NO MUEVA LA UNIDAD DURANTE LA REPRODUCCIÓN

Durante la reproducción, el disco gira a velocidad alta. NO levante o mueva la unidad durante la reproducción. El hacerlo puede dañar el disco.

AL MOVER ESTA UNIDAD

Al cambiar los lugares de instalación o empaque de la unidad para moverla, asegúrese de retirar el disco. Después, oprima el interruptor de energía para desactivar la energía y desconecte el cable de energía. El mover esta unidad con el disco cargado puede dar como resultado un daño a la unidad.

PRECAUCIÓN

El producto no deberá quedar expuesto a goteos o salpicaduras, ni servir de base para objetos que contengan líquido (jarrones, etc.).

No instale este equipo en espacios cerrados tales como estantes de libros o similares.

Cuidado con la condensación

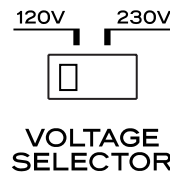
Cuando la unidad (o un disco) se mueve de un lugar frío a un lugar cálido o cuando está en uso después de un cambio repentino en la temperatura, existe el peligro de condensación; el vapor en el aire se puede condensar en los mecanismos internos, haciendo que la operación correcta sea imposible. Para evitar esto, o si esto ocurre, deje la unidad por una o dos horas con la energía activada. Después la unidad se estabilizará a la temperatura de su ambiente.

Mantenimiento

Si se ensucia la superficie de la unidad, frótelas con una tela suave o utilice un líquido limpiador neutral diluido. Asegúrese de retirar cualquier fluido completamente. No utilice thinner, bencina o alcohol, ya que podrían dañar la superficie de la unidad.

Conversión de voltaje

(Únicamente modelos de exportación en general)



Asegúrese de retirar el cable de energía de la salida CA antes de volver a colocar el interruptor convertidor de voltaje.

1. Localice el selector de voltaje en la parte inferior de la unidad.
2. Utilice un desarmador plano, ajuste la posición apropiada para 230V ó 120V de acuerdo con su área.

EN NORTEAMÉRICA UTILICE ÚNICAMENTE SUMINISTRO DE 120V.

Discos que se pueden reproducir en esta unidad:

- CD-Audio convencionales con el logotipo CD-DA en la etiqueta:



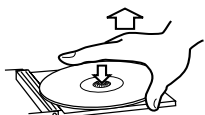
- Discos CD-R debidamente grabados (con cierre de sesión)

Nota:

- Según la calidad del disco y el estado de la grabación, algunos CD-R es posible que no se puedan reproducir.
- Los discos CD-RW no se pueden reproducir en esta unidad.
- Los discos protegidos contra copia y otros discos que no se ajusten al estándar de los CD es posible que no se reproduzcan correctamente en esta unidad.

Si utiliza tales discos en esta unidad, TEAC Corporation y sus subsidiarias no pueden hacerse responsable de ninguna consecuencia, ni garantizar la calidad de reproducción. Si experimenta problemas con tales discos no estándar, debe ponerse en contacto con el fabricante de los discos.

- Siempre coloque el disco en la charola de discos con la etiqueta hacia arriba (los discos compactos pueden reproducirse o grabarse sólo por un lado).
- Para retirar un disco de su estuche, oprima el centro del estuche y levante el disco, sosteniéndolo cuidadosamente por los extremos.



Cómo retirar el disco

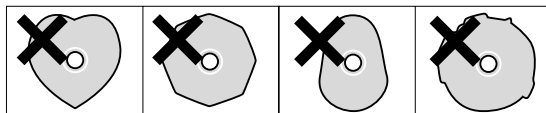


Cómo sujetar el disco

- En caso de que se ensucie el disco, frote la superficie radialmente con una tela suave y seca.



- Nunca utilice sustancias químicas tales como spray para discos, spray antiestática o fluidos, bencina o thinner para limpiar los discos. Tales sustancias químicas causarán un daño irreparable a la superficie plástica del disco.
- Los discos deben regresarse a sus estuches después de usarse para evitar polvos y rayones que podrían causar que "salte" el sensor óptico.
- No exponga los discos a la luz directa del sol o a humedad y temperatura alta por periodos prolongados. Una exposición prolongada a altas temperaturas pandeará el disco.
- Los discos CD-R son más sensibles a los efectos del calor y los rayos ultravioletas que los CD ordinarios. Es importante que no se almacenen en donde directa caiga sobre ellos la luz del sol y que estén lejos de fuentes de calor tales como radiadores o dispositivos eléctricos generadores de calor.
- Los discos CD-R imprimibles no son recomendables, debido a que el lado de la etiqueta puede estar pegajoso y dañar y la unidad.
- No adhiera papeles u hojas protectoras a los discos y no utilice spray de recubrimiento de protección.
- Utilice un bolígrafo suave con base de aceite para escribir la información en el lado de la etiqueta. Nunca utilice un bolígrafo de punto grueso ya que esto puede causar daños a lado grabado.
- Nunca utilice un estabilizador. El uso de estabilizadores de CD disponibles comercialmente con esta unidad dañará los mecanismos y causarán un mal funcionamiento.
- No utilice CD de forma irregular (octagonal, forma de corazón, etc.). Los CD de este tipo pueden dañar la unidad.



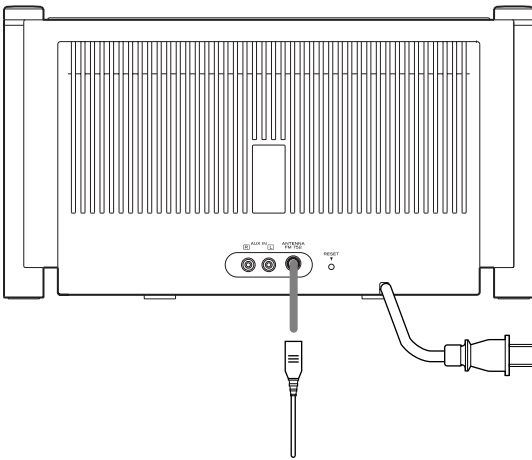
- Si tiene dudas acerca del cuidado y manejo de un disco CD-R, lea las precauciones proporcionadas con el disco o contacte directamente al fabricante de discos.

PRECAUCIÓN: No conecte el cable de energía de ningún componente en las tomas de CA y no conecte los interruptores POWER hasta haber completado todas las conexiones.

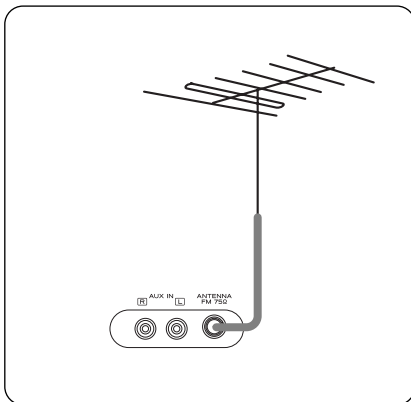
Conexión de la antena de FM

(Sólo modelos de exportación EE.UU./Canadá y General)

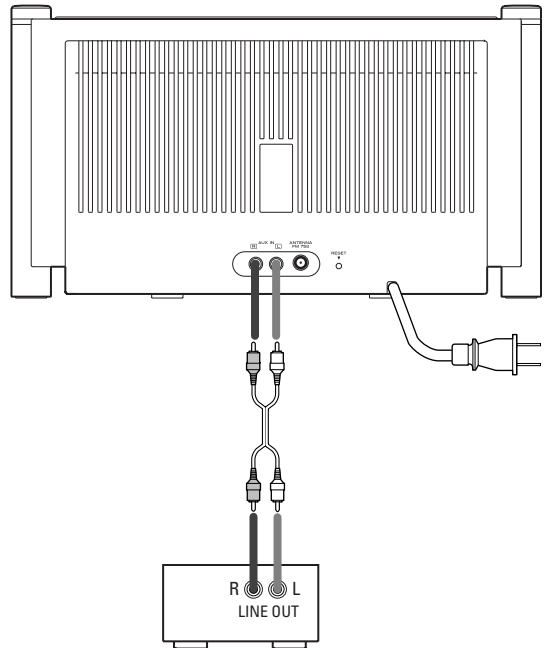
Conecte el cable de antena FM al terminal de la antena FM. Fíjelo en posición siempre que ofrezca una recepción óptima.



En una zona en las que las señales de FM sean débiles, se recomienda el uso de una antena de FM de exterior no equilibrada (3 elementos o más) de 75 ohmios.

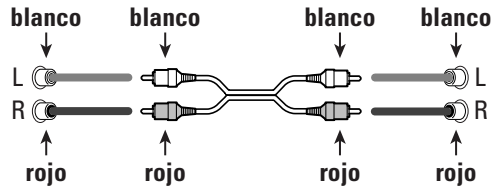


Cómo conectar fuentes externas



VCR, REPRDUCTOR DE DVD, ETC.

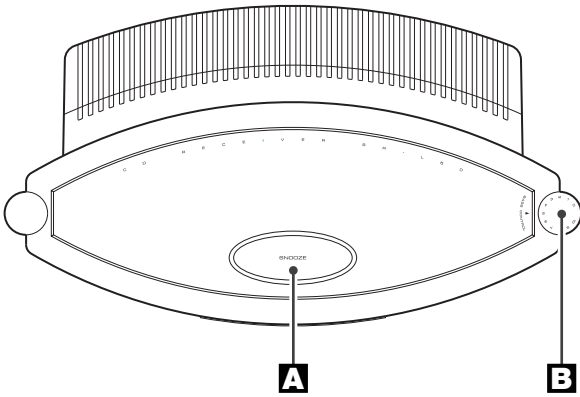
- Lea las instrucciones de cada componente que pretenda utilizar con esta unidad.
- Asegúrese de conectar:



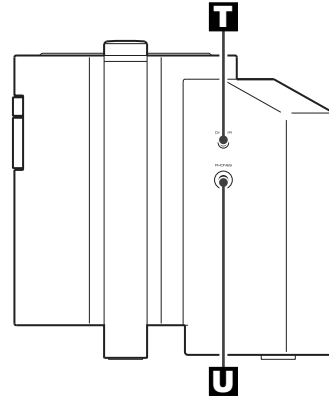
- Compruebe que todos los conectores se hallan bien sujetos. Para evitar zumbidos y perturbaciones parásitas, no mezcle los cables de conexión con el cable de alimentación ni el cable de los altavoces.

Nombres de cada control

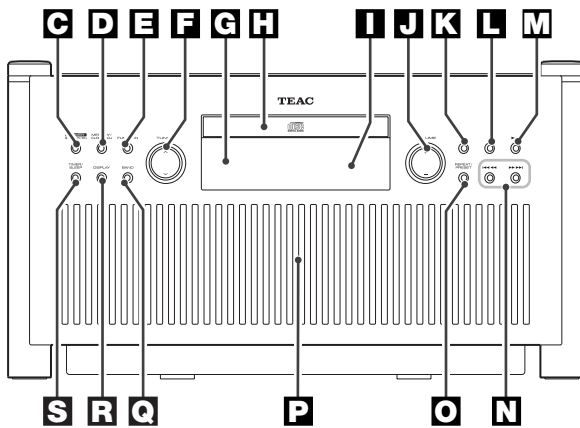
VISTA SUPERIOR



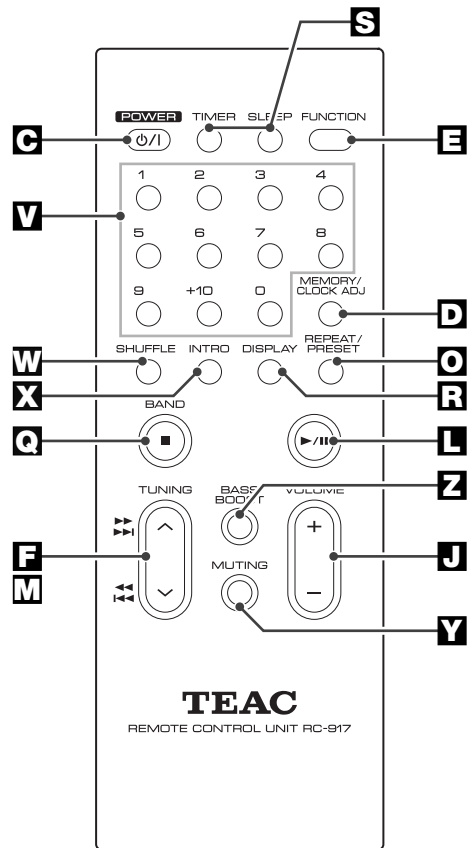
VISTA LATERAL



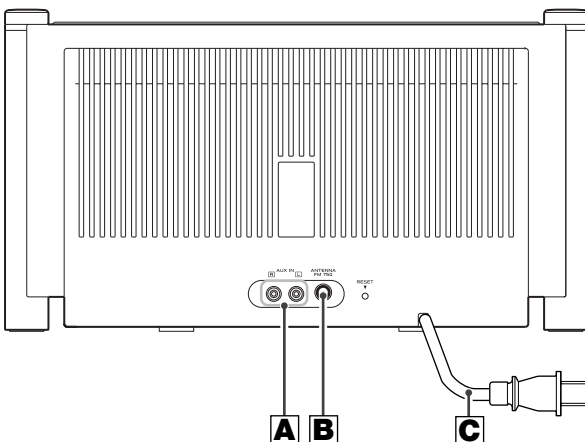
VISTA FRONTAL



MANDO A DISTANCIA



VISTA TRASERA



A Botón SNOOZE

Después de que se llega a la hora, utilice este botón para apagarla durante 5 minutos.

B Perilla BASS CONTROL

Utilice este mando para ajustar el nivel de los bajos.

C Interruptor POWER

Oprima este interruptor para encender y apagar la unidad.

D Botón MEMORY/CLOCK ADJ

Utilice este botón para programar las pistas o ajustar el reloj.

E Botón FUNCTION

Oprima este botón varias veces para seleccionar una función.

Seleccione "CD" para reproducir un disco.

Seleccione "TUNER" para sintonizar la radio.

Seleccione "AUX" para escuchar fuentes externas conectadas a las clavijas de entrada AUX.

F Botón TUNING

Oprima este botón hacia arriba o abajo para sintonizar una emisora.

G Sensor remoto**H Bandeja de disco****I Pantalla****J Botón VOLUME**

Oprima este botón hacia arriba o abajo para ajustar el volumen.

K Botón OPEN/CLOSE (▲)

Utilice este botón para abrir y cerrar la bandeja de disco.

L Botón STOP (■)

Utilice este botón para detener la reproducción.

M Botón PLAY/PAUSE (▶/⏸)

Utilice este botón para iniciar o hacer pausa en la reproducción.

N Botones SKIP/SEARCH (◀◀ ◀/▶ ▶▶▶)

Oprima estos botones para saltar las pistas.

Mantenga oprimidos estos botones para buscar una parte de una pista.

O Botón REPEAT/PRESET

Utilice este botón para cambiar el modo de repetición o seleccione el número preestablecido y una estación.

P Bocinas (estereo)**Q Botón BAND**

Utilice este botón para seleccionar FM o AM.

R Botón DISPLAY

Utilice este botón para cambiar el modo de desplegado.

S Botón TIMER/SLEEP

Utilice este botón para ajustar el tiempo de despertar o dormir.

T Botón DIMMER

Utilice este botón para reducir el nivel de iluminación de la pantalla y la unidad.

U Aurífonos

Inserte la conexión de los aurífonos en la entrada PHONES (AUDÍFONOS) y ajuste el volumen. Tanto los aurífonos estereo como los aurífonos monoaurales pueden utilizarse con esta unidad.

V Botones numéricos**W Botón SHUFFLE**

Utilice este botón para seleccionar el modo de reproducción al azar.

X Botón INTRO

Utilice este botón para iniciar la Verificación de Introducción.

Y Botón MUTING

Para cortar el sonido temporalmente, oprima el botón MUTING. Oprima el botón MUTING otra vez para restaurar el sonido. Si cambia el volumen cuando está en estado de MUTING, se cancelará la condición de silencio.

Z Botón BASS BOOST

Oprima este botón para activar o desactivar el refuerzo de bajos.

A Conectores AUX IN

Conecte las fuentes externas a estos conectores.

B Terminal de antena FM (con modelos de exportación EE.UU./Canadá y General)

Conecte la antena FM tipo cable a este terminal.

Antena alimentadora de FM (con modelo EUROPE)

Sintonice una estación FM y extienda el conductor para encontrar la mejor posición para la recepción. Después fíjela en la pared con tachuelas o algún objeto similar.

C Cable de energía CA

Conecte este cable de energía CA a una conexión de pared CA.

El equipo toma energía no operacional nominal de la salida CA con su interruptor POWER en la posición OFF (APAGADO).

La unidad de control remoto suministrada le permite controlar el aparato a distancia.

Cuando opere con el control remoto, diríjalo hacia el sensor remoto en el panel frontal del aparato.

- Aunque se utilice la unidad dentro del margen de funcionamiento efectivo, es imposible el control a distancia si hay obstáculos entre el reproductor y el control remoto.
- Si se utiliza la unidad cerca de otros aparatos que generen rayos infrarrojos o si se emplean otros aparatos de control remoto por rayos infrarrojos cerca del reproductor, es posible que éste no funcione correctamente. Del mismo modo, es posible que los otros aparatos tampoco funcionen correctamente.

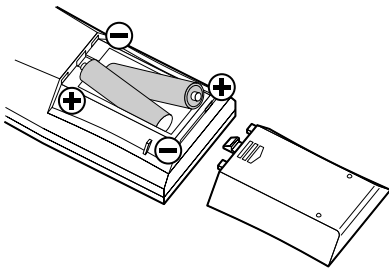
Instalación de las pilas

1 Abra la tapa del compartimiento de las pilas.

2 Coloque dos pilas "AAA" (R03, SUM-4).

Asegúrese de que las pilas queden ubicadas con sus polos positivo ⊕ y negativo ⊖ correctamente posicionados.

3 Cierre la tapa hasta que se trabé.



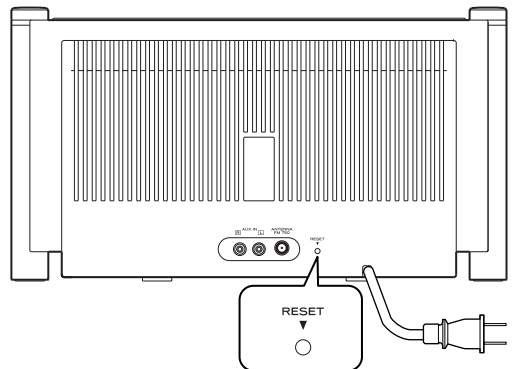
Cambio de pilas

Si nota que ha disminuido la distancia necesaria para un control correcto entre el control remoto y el reproductor, significa que las pilas están gastadas. En este caso, reemplácelas por nuevas.

Precauciones con las pilas

- Asegúrese de insertar las pilas con sus polaridades positiva ⊕ y negativa ⊖ correctas.
- Utilice el mismo tipo de pilas. Nunca utilice diferentes tipos de pilas juntas.
- Pueden utilizarse pilas recargables y no recargables. Refiérase a las precauciones en sus rótulos.
- Si no va a utilizar el control remoto por mucho tiempo (más de un mes), retire las pilas para evitar pérdidas. Si se produce pérdidas, limpie el líquido en el interior del compartimiento y cambie las pilas por nuevas.
- No caliente ni desarme las pilas y nunca arroje pilas gastadas al fuego.

Interruptor RESET

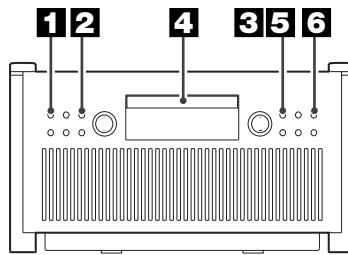


Los botones de las funciones pueden no responder correctamente en los siguientes casos.

- 1) Cuando alguna descarga eléctrica haya dañado el sistema.
- 2) Cuando la corriente sea irregular o experimente perturbaciones eléctricas.

En estos casos, pulse ligeramente una o dos veces el interruptor RESET con un lápiz o bolígrafo.

Reproducción de CD (1)



1 Oprima el interruptor **POWER** para encender la unidad.

POWER
STANDBY/ON



2 Oprima el botón **FUNCTION** de manera repetida para seleccionar "CD".

FUNCTION

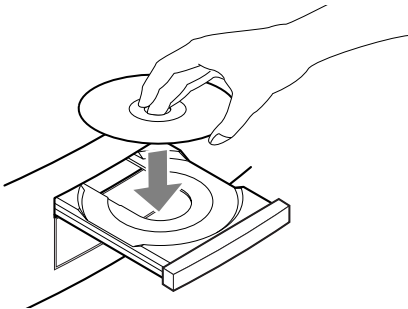


- Cuando no hay ningún disco colocado en la unidad, se mostrará "no DISC" en la pantalla.

3 Oprima el botón **OPEN/CLOSE** (▲) para abrir la bandeja de disco.



4 Coloque un disco con la etiqueta hacia arriba.



- Nunca coloque más de un disco en la unidad.
- Se despliega en pantalla el número total de pistas y el tiempo total de reproducción del disco.
- Toma algunos segundos para que la unidad lea el contenido del disco. Ningún botón funcionará durante la lectura. Espere hasta que se despliegue el número total de las pistas y el tiempo total de reproducción.

5 Oprima el botón **OPEN/CLOSE** (▲) para cerrar la bandeja de disco.



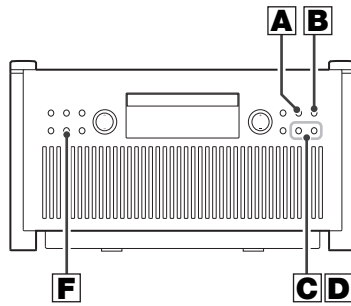
6 Oprima el botón **PLAY/PAUSE** (▶/||) para comenzar la reproducción.

▶/||



La reproducción comienza desde la primera pista. Cuando la reproducción de todas las pistas ha finalizado, la unidad se detiene automáticamente.

Reproducción de CD (2)



A Para detener la reproducción

Oprima el botón STOP (■) para detener la reproducción.



B Para suspender temporalmente la reproducción (modo de pausa)

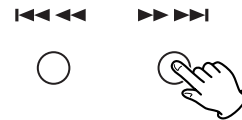
Oprima el botón PLAY/PAUSE (▶/||). La reproducción se detiene en la posición actual.



Para continuar la reproducción, oprima el botón PLAY/PAUSE (▶/||) nuevamente.

C Para saltar a la siguiente o a una pista previa

Durante la reproducción, oprima el botón SKIP/SEARCH (◀◀◀◀ o ▶▶▶▶) repetidamente hasta que se encuentre la pista deseada. La pista seleccionada se reproducirá desde el comienzo.

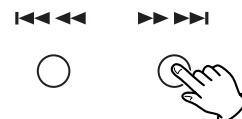


En el modo de paro, oprima el botón SKIP/SEARCH (◀◀◀◀ o ▶▶▶▶) repetidamente hasta que se encuentre la pista deseada y oprima el botón PLAY/PAUSE (▶/||) para comenzar la reproducción desde la pista seleccionada.

- Cuando se oprime el botón ◀◀◀◀ una vez durante la reproducción, la pista que se está reproduciendo se reproducirá desde el principio. Para regresar al comienzo de la pista previa, oprima el botón ◀◀◀◀ dos veces.
- Durante la reproducción programada, se reproduce la pista siguiente o previa en el programa.

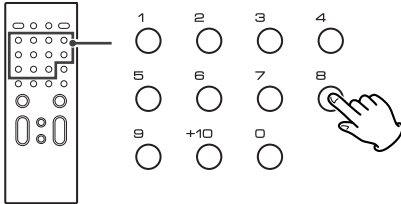
D Búsqueda de una parte de una pista

Durante la reproducción, mantenga oprimido el botón SKIP/SEARCH (◀◀◀◀ o ▶▶▶▶) y libérelolo cuando se ha encontrado la parte que usted desea escuchar.



E Reproducción por acceso directo

Presione los botones numéricos correspondientes a la música deseada. El reproductor comienza la reproducción desde la música especificada.



Ejemplo 1:

Para reproducir a partir de la 5ª canción:



Ejemplo 2:

Para reproducir a partir de la 23ª canción:

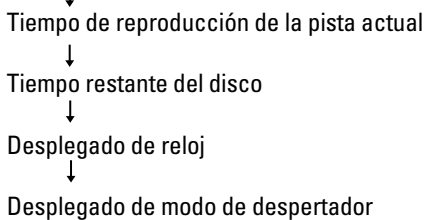


F Botón DISPLAY

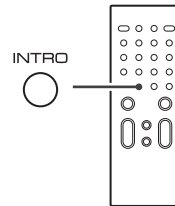
DISPLAY



Durante la reproducción, oprima este botón de manera repetida para cambiar el modo de desplegado de la siguiente forma:



- El desplegado de reloj y el desplegado de modo de despertador aparecen durante cuatro segundos y después regresan al desplegado original.
- En el modo de paro, no se puede seleccionar el tiempo restante del disco.



La función de comprobación de introducción permite que sólo el comienzo cada pista sea reproducida durante 10 segundos.

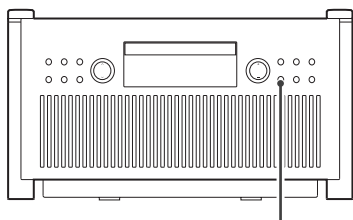
- Esta función opera tanto en el modo de parada y durante la reproducción normal.

Presione el botón INTRO.

Se enciende el indicador INTRO en la pantalla y se inicia la verificación de introducción.

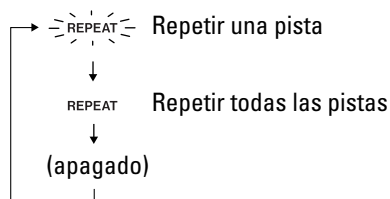
- Para regresar a reproducción normal, oprima el botón INTRO una vez más.
- Para detener la función de verificación de introducción, oprima el botón STOP (■).
- La función de comprobación de introducción también funciona conjuntamente con las funciones de SHUFFLE o REPEAT ONE/ALL.
- La función de comprobación de introducción también funciona conjuntamente con la función PROGRAM.

Reproducción repetida



REPEAT/PRESET

Cada vez que se oprime el botón REPEAT/PRESET, el indicador REPEAT se enciende o parpadea y el modo se cambia de la manera siguiente:



Repetir una pista

Oprima el botón REPEAT/PRESET una vez durante la reproducción. El indicador de repetición parpadea. La pista que se está reproduciendo se escuchará de manera repetida. Si se oprime el botón SKIP/SEARCH (◀◀ ◀◀ o ▶▶ ▶▶) o los botones numéricos y se selecciona otra pista, la pista que seleccione se reproducirá de manera repetida.

También es posible seleccionar una pista que se repita durante el modo de paro. Oprima el botón REPEAT/PRESET y después seleccione el número de pista oprimiendo el botón SKIP/SEARCH (◀◀ ◀◀ o ▶▶ ▶▶) o los botones numéricos. Oprima el botón PLAY/PAUSE (▶/||) para iniciar la reproducción.

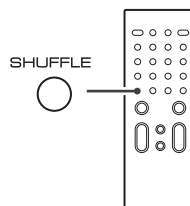
Repetir todas las pistas

Se reproducirán repetidamente todas las pistas del disco.

Oprima dos veces el botón REPEAT/PRESET. El indicador de repetición se encenderá uniformemente.

- Durante la reproducción del programa, únicamente las pistas programadas se reproducirán en orden repetidamente.
- Si se oprime uno de los siguientes botones, se cancelará el modo de repetición:
 - Botón OPEN/CLOSE (▲)
 - Botón STOP (■)
 - Interruptor POWER
 - Botón FUNCTION

Reproducción aleatoria



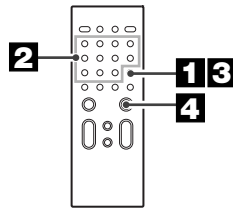
Las pistas pueden reproducirse aleatoriamente.

Oprima el botón SHUFFLE en el modo de paro o de reproducción.

Las pistas se van a reproducir al azar.

- Si usted oprime el botón SKIP/SEARCH (▶▶ ▶▶) durante la reproducción aleatoria, se seleccionará la siguiente pista y se reproducirá aleatoriamente. Si usted oprime el botón SKIP/SEARCH (◀◀ ◀◀), la pista que se está reproduciendo actualmente se reproducirá desde el principio. Una pista no se puede reproducir durante la reproducción aleatoria.
- Para detener la reproducción aleatoria, oprima el botón STOP (■).
- Para cancelar el modo de reproducción aleatoria, oprima el botón SHUFFLE.
- Si se oprime uno de los siguientes botones, se cancelará el modo de reproducción al azar:
 - Botón OPEN/CLOSE (▲)
 - Botón STOP (■)
 - Interruptor POWER
 - Botón FUNCTION

Reproducción programada (1)

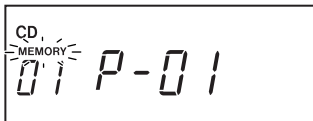


Se pueden programar hasta 20 pistas en el orden deseado.

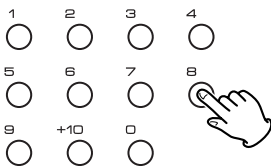
- La reproducción aleatoria, no funciona durante la reproducción programada.
- Coloque un disco y seleccione "CD" previamente.

1 Oprima el botón MEMORY/CLOCK ADJ en el modo de paro.

El indicador MEMORY parpadea y aparece "P-01" en la pantalla.



2 Dentro de un lapso de 10 segundos, oprima los botones numéricos para seleccionar una pista.



Ejemplo 1:

Para seleccionar la pista No.5:



Ejemplo 2:

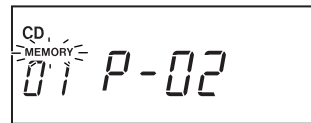
Para seleccionar la pista No.23:



- Si no se oprimen los botones numéricos dentro de los siguientes 10 segundos, se cancelará el modo de programación.

3 Dentro de un lapso de 10 segundos, oprima el botón MEMORY/CLOCK ADJ.

La pista se programa y se despliega "P-02".



Repita los pasos **2** y **3** para programar más pistas.

- Usted puede programar hasta 20 pistas.
- Usted también puede utilizar los botones del tablero frontal para seleccionar un número de pista. En este caso, oprima el botón SKIP/SEARCH para seleccionar un número de pista y después oprima el botón MEMORY/CLOCK ADJ mientras que está parpadeando el indicador "MEMORY" en la pantalla.
- Para cancelar el modo de programa, oprima el botón STOP (■).

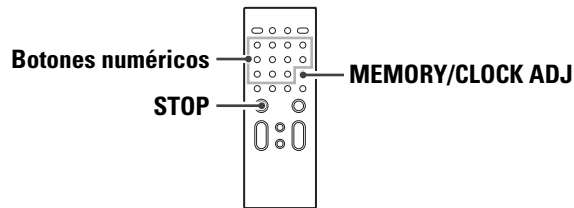
4 Cuando se ha finalizado la selección de los número de pistas, oprima el botón PLAY/PAUSE (▶/||) para comenzar la reproducción de programa.



Si no se oprime el botón PLAY/PAUSE (▶/||) en un periodo de 10 segundos, el indicador MEMORY se apagará. En ese caso, oprima el botón MEMORY/CLOCK ADJ y después oprima el botón PLAY/PAUSE (▶/||) para comenzar la reproducción de programa.

Los contenidos programados se mantienen en la memoria aún después de que se oprime el botón FUNCTION o se desactiva la energía.

Reproducción programada (2)



Para verificar el orden programado

En el modo de paro, oprima el botón MEMORY/CLOCK ADJ de manera repetida para mostrar los números de pista que se almacenaron en memoria.

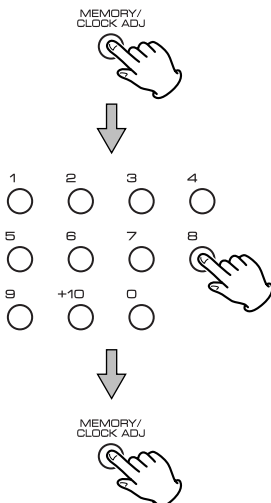


Para agregar una pista al final del programa

En el modo de paro, oprima el botón MEMORY/CLOCK ADJ de manera repetida hasta que aparezca en pantalla el número de pista (00). Seleccione el número de pista oprimiendo los botones numéricos, y después oprima el botón MEMORY/CLOCK ADJ. La pista se agrega al final del programa.

Para sobrescribir el programa

En el modo de paro, oprima el botón MEMORY/CLOCK ADJ de manera repetida hasta que aparezca en pantalla el número de pista que se va a cambiar. Seleccione un nuevo número de pista oprimiendo los botones numéricos, y después oprima el botón MEMORY/CLOCK ADJ.



Para cancelar el modo de reproducción programada

Oprima el botón STOP (■).



Desaparece el indicador "MEMORY", pero el contenido programado no se pierde.

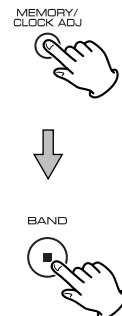
Para regresar al modo de programación, oprima el botón MEMORY/CLOCK ADJ.

Para borrar el programa

En el modo de paro, realice alguna de las siguientes acciones para borrar el programa: Oprima el botón OPEN/CLOSE (▲) y ábralo.

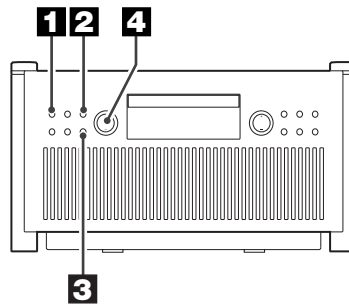


Oprima el botón MEMORY/CLOCK ADJ después el botón STOP (■).



- Si la unidad se desconecta del suministro de energía, los contenidos de programa se borrarán.

Cómo escuchar la radio



1 Oprima el interruptor **POWER** para **ENCENDER** la unidad.

POWER
STANDBY/ON



2 Oprima el botón **FUNCTION** de manera repetida para seleccionar **"TUNER"**.

FUNCTION



3 Oprima el botón **BAND** para seleccionar **FM** o **AM**.

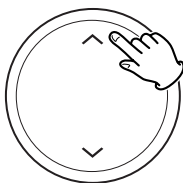
BAND



4 Seleccione la estación que quiere escuchar (selección automática).

Oprima el botón **TUNING** hacia arriba o abajo hasta que el despliegado de frecuencia empiece a cambiar.

TUNING



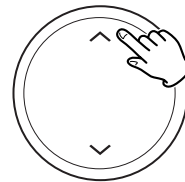
Cuando se sintoniza una estación, el proceso de sintonización se detendrá automáticamente.

- Oprima nuevamente el botón **TUNING** para detener la selección automática.

Selección de estaciones que no se pueden sintonizar automáticamente (selección manual).

Oprima el botón **TUNING** hacia arriba o abajo varias veces hasta que encuentre la emisora que desea sintonizar.

TUNING



Si la recepción es deficiente

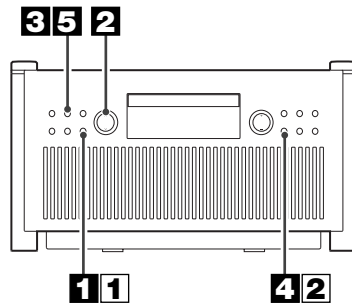
Transmisión AM

Gire la unidad para encontrar la mejor posición para las estaciones AM.

Transmisión FM

Para una buena recepción, gire la antena para que pueda escuchar las estaciones claramente.

Cómo preestablecer estaciones



En cada banda, se pueden almacenar hasta 10 estaciones en memorias preestablecidas.

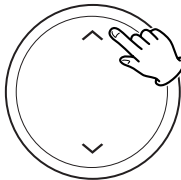
1 Oprima el botón **BAND** para seleccionar FM o AM.

BAND

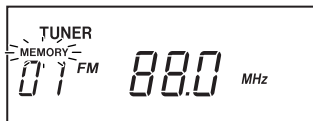


2 Oprima el botón **TUNING** y sintonice una estación que se vaya a almacenar como estación preestablecida.

TUNING



3 Oprima el botón **MEMORY/CLOCK ADJ.**



MEMORY/
CLOCK ADJ



4 Dentro de los 10 segundos siguientes, seleccione un canal preestablecido para almacenar la estación utilizando el botón **REPEAT/PRESET.**

REPEAT/
PRESET



5 Dentro de un lapso de 10 segundos, oprima el botón **MEMORY/CLOCK ADJ.**

MEMORY/
CLOCK ADJ



- Si oprime los botones numéricos (1–0) de la unidad de control remoto, puede almacenar la estación directamente. En este caso, no tiene que oprimir el botón MEMORY/CLOCK ADJ.

Para almacenar más estaciones, repita los pasos **1** a **5**.

Cómo seleccionar las estaciones preestablecidas

1 Oprima el botón **BAND** para seleccionar FM o AM.

BAND



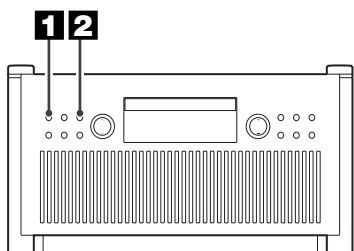
2 Oprima el botón **REPEAT/PRESET** de manera repetida y seleccione un canal preestablecido.

REPEAT/
PRESET



Si oprime los botones numéricos (1–0) de la unidad de control remoto, usted puede seleccionar inmediatamente un canal preestablecido. Para seleccionar el número preestablecido 10, oprima "0" en la unidad de control remoto.

Cómo escuchar fuentes externas



Usted puede conectar fuentes externas tales como el deck de una videocasetera o la televisión a los conectores de entrada AUX.

1 Oprima el interruptor **POWER** para **ENCENDER** la unidad.

POWER
STANDBY/ON

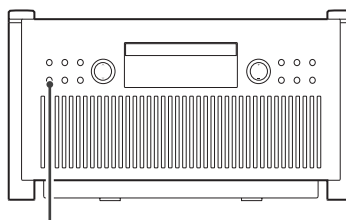


2 Oprima el botón **FUNCTION** de manera repetida para seleccionar "AUX".

FUNCTION



Contador de tiempo Sleep (dormir)



TIMER/SLEEP

La energía puede desactivarse en el momento especificado.

Cuando la energía está activada, oprima el botón **TIMER/SLEEP** (o el botón **SLEEP** de la unidad de control remoto) repetidamente hasta que aparezca la hora deseada en la pantalla.

TIMER/
SLEEP

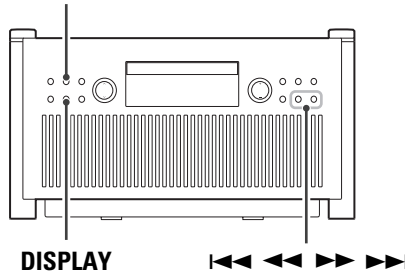


El tiempo Sleep puede cambiarse en intervalos de 10 minutos.

→ 90 → 80 → 70 → 10 → (apagado)

Ajuste de reloj

MEMORY/CLOCK ADJ



DISPLAY

1 En el modo CD o en el modo TUNER, oprima el botón DISPLAY para seleccionar el desplegado de reloj.

Empieza a parpadear “.” en el desplegado de reloj.



DISPLAY



- Si se selecciona “AUX” o la unidad está apagada, oprima y mantenga así el botón MEMORY/CLOCK ADJ durante dos o más segundos y continúe el procedimiento desde el paso 3.
- Oprima el botón STOP para cancelar el ajuste de hora. (En el modo TUNER, oprima el botón DISPLAY.)

2 Dentro de los siguientes 4 segundos, oprima y mantenga así el botón MEMORY/CLOCK ADJ durante 2 ó más segundos.

MEMORY/
CLOCK ADJ



3 Oprima el botón $| \ll \ll \ll$ o $| \gg \gg \gg$ para seleccionar “12H” o “24H”.

$| \ll \ll \ll$ $| \gg \gg \gg$



Si selecciona “12H”, el indicador “AM” aparece para la mañana y aparece el indicador “PM” para la tarde.

- En el modo TUNER, utilice el botón TUNING.

4 Oprima el botón MEMORY/CLOCK ADJ.

MEMORY/
CLOCK ADJ



5 Oprima el botón $| \ll \ll \ll$ o $| \gg \gg \gg$ para ajustar la hora actual.

$| \ll \ll \ll$ $| \gg \gg \gg$



- En el modo TUNER, utilice el botón TUNING.

6 Oprima el botón MEMORY/CLOCK ADJ.

MEMORY/
CLOCK ADJ



7 Oprima el botón $| \ll \ll \ll$ o $| \gg \gg \gg$ para ajustar el minuto actual.

$| \ll \ll \ll$ $| \gg \gg \gg$



- En el modo TUNER, utilice el botón TUNING.

8 Oprima el botón MEMORY/CLOCK ADJ para terminar el modo de ajuste de hora.

MEMORY/
CLOCK ADJ

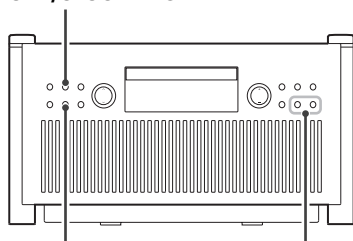


El reloj comienza desde 00 segundos.

- Si la unidad está desconectada del suministro de energía durante más de 3 minutos, se van a reestablecer el ajuste de reloj y de despertador.
- Si la unidad está desconectada durante menos de 3 minutos, el desplegado de hora no será correcto.

Despertador (1)

MEMORY/CLOCK ADJ



DISPLAY



Ajuste el reloj antes de ajustar el despertador.

Ajuste del despertador

1 Oprima el botón DISPLAY para cambiar el modo del despertador. (En el modo CD o en el modo TUNER, oprima el botón dos veces.)

El indicador "TIMER" empieza a parpadear en la pantalla.



DISPLAY



Oprima el botón TIMER para cambiar el modo de despertador cuando se utilice la unidad de control remoto.

2 Dentro de los siguientes 4 segundos, oprima y mantenga así el botón MEMORY/CLOCK ADJ durante 2 ó más segundos para cambiar el modo de ajuste del temporizador.

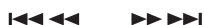
El indicador "TIMER" y la hora parpadean en la pantalla.



MEMORY/
CLOCK ADJ



3 Oprima el botón o para ajustar la hora de inicio (hora).



En el modo TUNER, utilice el botón TUNING.

4 Oprima el botón MEMORY/CLOCK ADJ.

MEMORY/
CLOCK ADJ



Los minutos parpadean en la pantalla.

5 Oprima el botón o para ajustar la hora de inicio (minutos).



En el modo TUNER, utilice el botón TUNING.

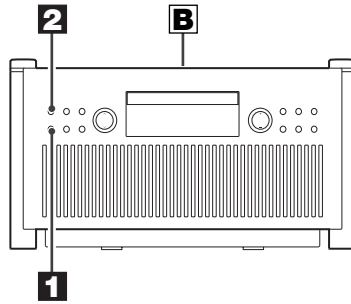
6 Oprima el botón MEMORY/CLOCK ADJ.

MEMORY/
CLOCK ADJ



Cuando se termina el ajuste de hora el indicador "TIMER" dejará de parpadear.

Despertador (2)



Activación del despertador

1 Oprima y mantenga así el botón **TIMER/SLEEP** durante 2 ó más segundos.

TIMER/
SLEEP



Oprima el botón **TIMER**, cuando se utilice la unidad de control remoto.

2 Oprima el botón **POWER** para apagar la unidad.

POWER
STANDBY/ON



La unidad se encenderá a la hora especificada todos los días.

Para que el despertador comience la reproducción de un CD, oprima el botón **FUNCTION** para seleccionar "CD"; inserte un disco y ajuste el volumen antes de apagar la unidad.

Para que el despertador encienda la radio, sintonice una estación y ajuste el volumen antes de apagar la unidad.

No olvide apagar la unidad, o el despertador no funcionará.

- La hora de paro no se puede ajustar. Cuando la reproducción del despertador ya terminó, oprima el interruptor **POWER** para apagar la unidad.
- Si la unidad se desconecta del suministro de energía durante más de 3 minutos, se reestablecerán los ajustes de reloj y de despertador.

A Para cancelar el modo de despertador

Oprima y mantenga así el botón **TIMER/SLEEP** durante 2 ó más segundos.

TIMER/
SLEEP



El indicador "TIMER" desaparece de la pantalla. Oprima el botón **TIMER**, cuando se utilice la unidad de control remoto.

B Cómo utilizar la función **Snooze (Zumbador)**

Después de que se llegue a la hora, oprima el botón **SNOOZE** y la unidad se apagará durante 5 minutos y después se volverá a encender.



El indicador "SNOOZE" aparece en la pantalla mientras se activa la función de zumbador.

Usted puede utilizar esta función de manera repetida.

Corrección de fallas

Si tiene problemas con su sistema, observe esta tabla y vea si puede resolver el problema usted mismo antes de llamar a su distribuidor o al Centro de servicio TEAC.

Generales

Sin energía.

- ➔ Verifique la conexión al suministro de energía CA.

Sin sonido.

- ➔ Ajuste el sonido.
- ➔ Si está activado el silencio, oprima el botón MUTING.

El sonido es ruidoso.

- ➔ La unidad está demasiado cerca de un aparato de televisión o aparatos similares. Instale la unidad lejos de ellos o apáguelos.

Sintonizador

No puede escuchar ninguna estación, o la señal es demasiado débil.

- ➔ Sintonice adecuadamente la estación.
- ➔ Si cerca de la unidad se encuentra una TV, apáguela.
- ➔ Instale la antena nuevamente después de localizar la posición para la mejor recepción.

Reproductor de CD

No puedo reproducir CD

- ➔ Coloque los discos con la etiqueta hacia arriba.
- ➔ Si el disco está sucio, limpie la superficie del disco.
- ➔ No utilice discos rayados, dañados o pandeados.
- ➔ Dependiendo de la calidad del disco y/o la condición del grabado, algunos discos CD-R pueden no ser reproducibles.
- ➔ Los discos CD-RW no se pueden reproducir en esta unidad.
- ➔ No se pueden reproducir discos cuya copia esté prohibida.

Salto en el sonido.

- ➔ Coloque la unidad en un lugar estable para evitar vibraciones y golpes.
- ➔ Si el disco está sucio, limpie la superficie del disco.
- ➔ No utilice discos rayados, dañados o pandeados.

Mando a distancia

El mando a distancia no funciona.

- ➔ Si las pilas están agotadas, cámbielas.
- ➔ Emplee el mando a distancia sin sobrepasar la distancia indicada (5 m) y apunte al panel frontal.
- ➔ Retire los obstáculos situados entre el mando a distancia y el equipo.
- ➔ Si hay una luz fluorescente cerca del equipo, apáguela.

Especificaciones

Sección del SINTONIZADOR

Rango de frecuencia (FM):

87,50 MHz a 108,00 MHz (paso de 100 kHz)
(Modelos de exportación EE.UU./Canadá y General)

87,50 MHz a 108,00 MHz (paso de 50 kHz)
(Modelo Europa)

Rango de frecuencia (AM):

520 kHz a 1710 kHz (paso de 10 kHz)
(Modelos de exportación EE.UU./Canadá y General)

522 kHz a 1620 kHz (paso de 9 kHz)
(Modelo Europa)

Sección del REPRODUCTOR DE CD

Respuesta de frecuencia:

20 Hz a 20 kHz (± 1 dB)

Ululación y ondulación:

No medibles

Sección del SISTEMA DE BOCINAS

Tipo:

65 mm 1-vía x 2
80 mm subwoofer x 1

Impedancia:

8 ohmios (L y R)
8 ohmios (Subwoofer)

GENERALES

Energía de salida total:

15 W

Requerimientos de energía:

120 V, 60 Hz
(Modelos de exportación EE.UU./Canadá)
230 V, 50 Hz (Modelo Europa)
120/230 V, 50-60 Hz
(Modelo de exportación General)

Consumo de energía:

40 W

Dimensiones (P x A x P):

389 x 213 x 216 mm

Peso:

6,0 kg

Accesorios estándar:

Modelos de exportación EE.UU./Canadá y General
Mando a distancia (RC-917)
Antena de FM tipo cable
Modelo Europa
Mando a distancia (RC-917)

- El diseño y las especificaciones están sujetos a cambios sin previo aviso.
- Las ilustraciones pueden diferir ligeramente de los modelos de producción.

TEAC

TEAC CORPORATION	3-7-3, Nakacho, Musashino-shi, Tokyo 180-8550, Japan Phone: (0422) 52-5081
TEAC AMERICA, INC.	7733 Telegraph Road, Montebello, California 90640 Phone: (323) 726-0303
TEAC CANADA LTD.	5939 Wallace Street, Mississauga, Ontario L4Z 1Z8, Canada Phone: (905) 890-8008
TEAC MEXICO, S.A. De C.V	Campesinos N°184, Colonia Granjas Esmeralda, Delegacion Iztapalapa, CP 09810 México DF Phone: (525) 581-5500
TEAC UK LIMITED	5 Marlin House, Croxley Business Park, Watford, Hertfordshire, WD18 8TE, U.K. Phone: 01923-819699
TEAC DEUTSCHLAND GmbH	Bahnstrasse 12, 65205 Wiesbaden-Erbenheim, Germany Phone: 0611-71580
TEAC FRANCE S.A.	17, Rue Alexis-de-Tocqueville, CE 005 92182 Antony Cedex, France Phone: (1) 42.37.01.02
TEAC ITALIANA S.p.A.	Via C. Cantù 11, 20092 Cinisello Balsamo, Milano, Italy Phone: 02-66010500
TEAC AUSTRALIA PTY., LTD.	280 William Street, Melbourne, Victoria 3000, Australia Phone: (03) 9672-2400
A.B.N. 80 005 408 462	

This appliance has a serial number located on the rear panel. Please record the model number and serial number and retain them for your records.

Model number

Serial number

0803·MA-0833A

Free Manuals Download Website

<http://myh66.com>

<http://usermanuals.us>

<http://www.somanuals.com>

<http://www.4manuals.cc>

<http://www.manual-lib.com>

<http://www.404manual.com>

<http://www.luxmanual.com>

<http://aubethermostatmanual.com>

Golf course search by state

<http://golfingnear.com>

Email search by domain

<http://emailbydomain.com>

Auto manuals search

<http://auto.somanuals.com>

TV manuals search

<http://tv.somanuals.com>