

TEAC

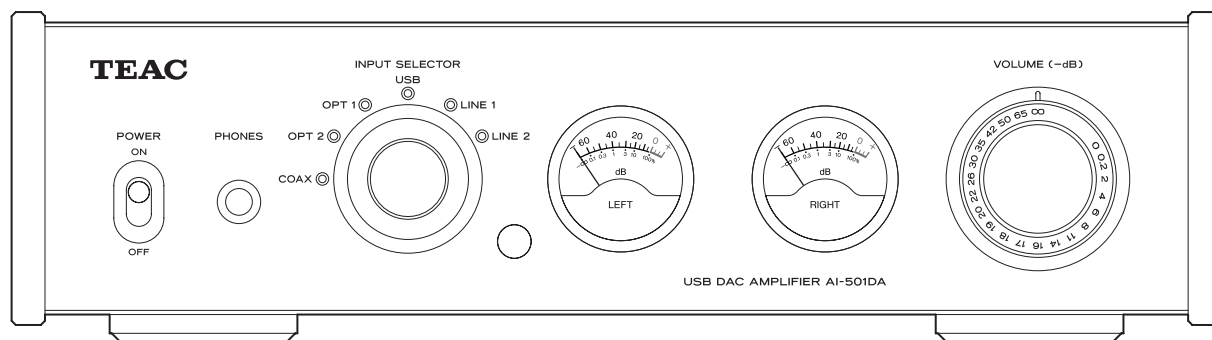
AI-501DA

USB DAC STEREO INTEGRATED AMPLIFIER

OWNER'S MANUAL

MODE D'EMPLOI

MANUAL DEL USUARIO



D01180100A

IMPORTANT SAFETY PRECAUTIONS



The lightning flash with arrowhead symbol, within an equilateral triangle, is intended to alert the user to the presence of uninsulated "dangerous voltage" within the product's enclosure that may be of sufficient magnitude to constitute a risk of electric shock to persons.



The exclamation point within an equilateral triangle is intended to alert the user to the presence of important operating and maintenance (servicing) instructions in the literature accompanying the appliance.

WARNING: TO PREVENT FIRE OR SHOCK HAZARD, DO NOT EXPOSE THIS APPLIANCE TO RAIN OR MOISTURE.

CAUTION

- DO NOT REMOVE THE EXTERNAL CASES OR CABINETS TO EXPOSE THE ELECTRONICS. NO USER SERVICEABLE PARTS ARE INSIDE.
- IF YOU ARE EXPERIENCING PROBLEMS WITH THIS PRODUCT, CONTACT TEAC FOR A SERVICE REFERRAL. DO NOT USE THE PRODUCT UNTIL IT HAS BEEN REPAIRED.
- USE OF CONTROLS OR ADJUSTMENTS OR PERFORMANCE OF PROCEDURES OTHER THAN THOSE SPECIFIED HEREIN MAY RESULT IN HAZARDOUS RADIATION EXPOSURE.

IN NORTH AMERICA USE ONLY ON 120 V SUPPLY.

For U.S.A.

This equipment has been tested and found to comply with the limits for a Class B digital device, pursuant to Part 15 of the FCC Rules. These limits are designed to provide reasonable protection against harmful interference in a residential installation. This equipment generates, uses, and can radiate radio frequency energy and, if not installed and used in accordance with the instructions, may cause harmful interference to radio communications. However, there is no guarantee that interference will not occur in a particular installation. If this equipment does cause harmful interference to radio or television reception, which can be determined by turning the equipment off and on, the user is encouraged to try to correct the interference by one or more of the following measures:

- Reorient or relocate the equipment and/or the receiving antenna.
- Increase the separation between the equipment and receiver.
- Connect the equipment into an outlet on a circuit different from that to which the receiver is connected.
- Consult the dealer or an experienced radio/TV technician for help.

CAUTION

Changes or modifications to this equipment not expressly approved by TEAC CORPORATION for compliance will void the user's warranty.

For Canada

Industry Canada's Compliance Statement:

This Class B digital apparatus complies with Canadian ICES-003.

Cet appareil numérique de la classe B est conforme à la norme NMB-003 du Canada.

Microsoft, Windows XP, Windows Vista and Windows 7 are either registered trademarks or trademarks of Microsoft Corporation in the United States and/ or other countries.

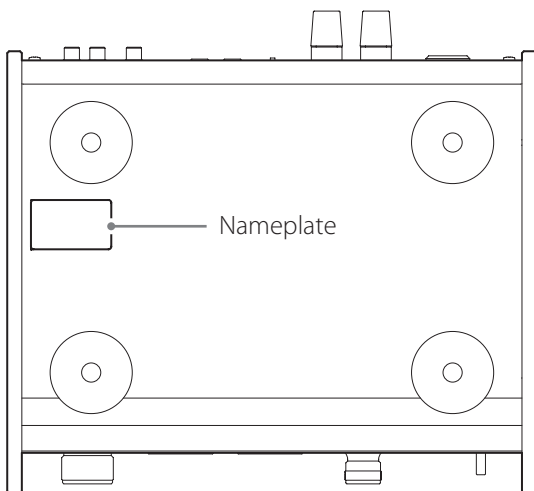
Apple, Macintosh and Mac OS are trademarks of Apple Inc., registered in the U.S. and other countries.

Other company names and product names in this document are the trademarks or registered trademarks of their respective owners.

⚠️ Precautions concerning batteries

Misuse of batteries could cause them to rupture or leak leading to fire, injury or the staining of nearby things. Please read and observe the following precautions carefully.

- Be sure to insert the batteries with correct positive (⊕) and negative (⊖) orientations.
- Use batteries of the same type. Never use different types of batteries together.
- If the remote control is not used for a long time (more than a month), remove the batteries to prevent them from leaking.
- If the batteries leak, wipe away the leakage inside the battery compartment and replace the batteries with new ones.
- Do not use batteries of types other than those specified. Do not mix new batteries with old ones or use different types of batteries together.
- Do not heat or disassemble batteries. Never throw batteries into fire or water.
- Do not carry or store batteries with other metallic objects. The batteries could short circuit, leak or explode.
- Never recharge a battery unless it is confirmed to be a rechargeable type.



Front side

IMPORTANT SAFETY INSTRUCTIONS

- 1) Read these instructions.
 - 2) Keep these instructions.
 - 3) Heed all warnings.
 - 4) Follow all instructions.
 - 5) Do not use this apparatus near water.
 - 6) Clean only with dry cloth.
 - 7) Do not block any ventilation openings. Install in accordance with the manufacturer's instructions.
 - 8) Do not install near any heat sources such as radiators, heat registers, stoves, or other apparatus (including amplifiers) that produce heat.
 - 9) Do not defeat the safety purpose of the polarized or grounding-type plug. A polarized plug has two blades with one wider than the other. A grounding type plug has two blades and a third grounding prong. The wide blade or the third prong are provided for your safety. If the provided plug does not fit into your outlet, consult an electrician for replacement of the obsolete outlet.
 - 10) Protect the power cord from being walked on or pinched particularly at plugs, convenience receptacles, and the point where they exit from the apparatus.
 - 11) Only use attachments/accessories specified by the manufacturer.
 - 12) Use only with the cart, stand, tripod, bracket, or table specified by the manufacturer, or sold with the apparatus. When a cart is used, use caution when moving the cart/apparatus combination to avoid injury from tip-over.
 - 13) Unplug this apparatus during lightning storms or when unused for long periods of time.
 - 14) Refer all servicing to qualified service personnel. Servicing is required when the apparatus has been damaged in any way, such as power-supply cord or plug is damaged, liquid has been spilled or objects have fallen into the apparatus, the apparatus has been exposed to rain or moisture, does not operate normally, or has been dropped.
- The apparatus draws nominal non-operating power from the AC outlet with its POWER or STANDBY/ON switch not in the ON position.
 - The mains plug is used as the disconnect device, the disconnect device shall remain readily operable.
 - Caution should be taken when using earphones or headphones with the product because excessive sound pressure (volume) from earphones or headphones can cause hearing loss.



CAUTION


- Do not expose this apparatus to drips or splashes.
- Do not place any objects filled with liquids, such as vases, on the apparatus.
- Do not install this apparatus in a confined space such as a book case or similar unit.
- The apparatus should be located close enough to the AC outlet so that you can easily reach the power cord plug at any time.
- If the product uses batteries (including a battery pack or installed batteries), they should not be exposed to sunshine, fire or excessive heat.
- CAUTION for products that use replaceable lithium batteries: there is danger of explosion if a battery is replaced with an incorrect type of battery. Replace only with the same or equivalent type.

WARNING


Products with Class I construction are equipped with a power supply cord that has a grounding plug. The cord of such a product must be plugged into an AC outlet that has a protective grounding connection.

For European Customers

Disposal of electrical and electronic equipment

- (a) All electrical and electronic equipment should be disposed of separately from the municipal waste stream via collection facilities designated by the government or local authorities.
- (b) By disposing of electrical and electronic equipment correctly, you will help save valuable resources and prevent any potential negative effects on human health and the environment.
- (c) Improper disposal of waste electrical and electronic equipment can have serious effects on the environment and human health because of the presence of hazardous substances in the equipment.
- (d) The Waste Electrical and Electronic Equipment (WEEE) symbol, which shows a wheeled bin that has been crossed out, indicates that electrical and electronic equipment must be collected and disposed of separately from household waste. 
- (e) Return and collection systems are available to end users. For more detailed information about the disposal of old electrical and electronic equipment, please contact your city office, waste disposal service or the shop where you purchased the equipment.

Disposal of batteries and/or accumulators

- (a) Waste batteries and/or accumulators should be disposed of separately from the municipal waste stream via collection facilities designated by the government or local authorities.
- (b) By disposing of waste batteries and/or accumulators correctly, you will help save valuable resources and prevent any potential negative effects on human health and the environment.
- (c) Improper disposal of waste batteries and/or accumulators can have serious effects on the environment and human health because of the presence of hazardous substances in them.
- (d) The WEEE symbol, which shows a wheeled bin that has been crossed out, indicates that batteries and/or accumulators must be collected and disposed of separately from household waste. 
Pb, Hg, Cd

If a battery or accumulator contains more than the specified values of lead (Pb), mercury (Hg), and/or cadmium (Cd) as defined in the Battery Directive (2006/66/EC), then the chemical symbols for those elements will be indicated beneath the WEEE symbol.
- (e) Return and collection systems are available to end users. For more detailed information about the disposal of waste batteries and/or accumulators, please contact your city office, waste disposal service or the shop where you purchased them.

Contents

Thank you for choosing TEAC. Read this manual carefully to get the best performance from this unit.

Included items.....	5
Before use.....	6
Maintenance.....	6
Connecting speakers.....	7
Connecting equipment.....	8
Using the remote control.....	10
Names and functions of parts (main unit).....	11
Names and functions of parts (remote control).....	12
Basic operation.....	13
Playing back music on a computer.....	14
Troubleshooting.....	16
Specifications.....	18

Included items

Check to be sure the box contains all the included items shown below.

Please contact the store where you purchased this unit if any of these items are missing or have been damaged during transportation.

Power cord × 1

Remote control unit (RC-1305) × 1

Batteries for remote control unit (AAA) × 2

Owner's manual (this document) × 1

- Keep this manual in a safe place for future reference.

Warranty card × 1

EN

Before use

Placement precautions

- Do not put anything on top of the unit.
- Avoid placing the unit in direct sunlight or close to any source of heat, such as a radiator, heater, open fireplace or amplifier. Also avoid locations that are subject to vibrations or exposed to excessive dust, cold or moisture.
- Place the unit in a stable location near the audio system that you will use with it.
- As the unit could become warm during operation, always leave sufficient space around it for ventilation. When installing this unit, leave a little space (at least 3 cm or 1.2") between it and walls and other devices in order to allow good heat dissipation. When placing it in a rack, for example, leave at least 5 cm (2") open above it and 10 cm (4") open behind it. Failure to provide these gaps could cause heat to build up inside and result in fire.
- You may stack this unit with a PD-501HR or other 501 series units. However, if heat should cause the protection circuit to be activated and sound output stops suddenly, place this unit on top and with sufficient distance between it and walls and other devices in order to improve heat dissipation.
- Do not move the unit during use.
- The voltage supplied to the unit should match the voltage printed on the rear panel. If you are in any doubt regarding this matter, consult an electrician.
- Do not open the body of the unit as this might result in damage to the circuitry or cause electric shock. If a foreign object should get into the unit, contact your dealer or TEAC customer service.
- When removing the power plug from the wall outlet, always pull directly on the plug; never yank on the cord.
- Depending on the electromagnetic waves of television broadcasts, interference might appear on television screens when this unit's power is on. This does not mean that this unit or the TV is malfunctioning. If this occurs, turn this unit's power off.

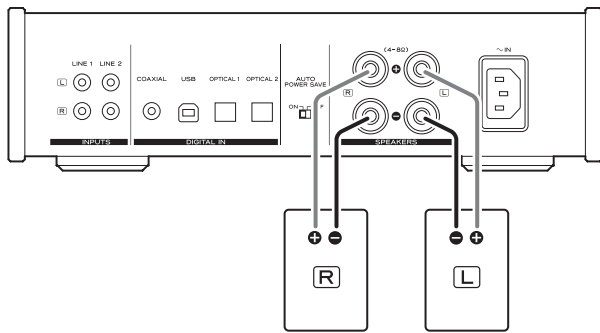
Maintenance

If the surface of the unit becomes dirty, wipe it with a soft dry cloth. If the unit becomes very dirty, dampen a soft cloth slightly with a diluted neutral cleanser and thoroughly wring out any excess fluid before using the cloth to wipe the unit.

For your safety, disconnect the power cord from the socket before cleaning.

- Never spray liquid directly on the unit.
- Do not use thinner or alcohol as they could damage the surface of the unit.
- Avoid allowing rubber or plastic materials to touch this product for long periods of time, because they could damage the cabinet.

Connecting speakers



⚠ Precautions when connecting speakers

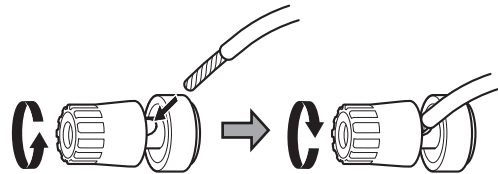
- Connect the power plugs after all connections have been made.
- Carefully read the operation manuals of the devices that you are connecting and follow their instructions.

⚠ Caution

- This unit works with speakers that have nominal impedances between $4\ \Omega$ and $8\ \Omega$. Use of speakers with impedances of less than $4\ \Omega$, in particular, could cause the protection circuit to activate and sound output to stop. In some cases, damage could even occur to this unit and the speakers.
- This unit's red terminal is positive (\oplus) and its black terminal is negative (\ominus).
- If the exposed end of a core wire in a speaker cable contacts another cable or terminal, a short could occur.
- Never allow a speaker cable to short.
- To avoid noise, do not bundle the speaker cables with the power cord or other cables.

Connecting speaker cables

- 1** Remove about 1 cm (0.4") of the sheath at the end of the speaker cable and twist the cable core well.
- 2** Turn the terminal cap left (counterclockwise) to loosen it.
- 3** Insert the wire into the hole in the terminal screw and turn the terminal cap right (clockwise) to connect it securely.



- Do not allow the cable sheath to touch the terminal.

- 4** Make sure it is connected securely by gently pulling on the cable.

Connecting speakers using banana plugs

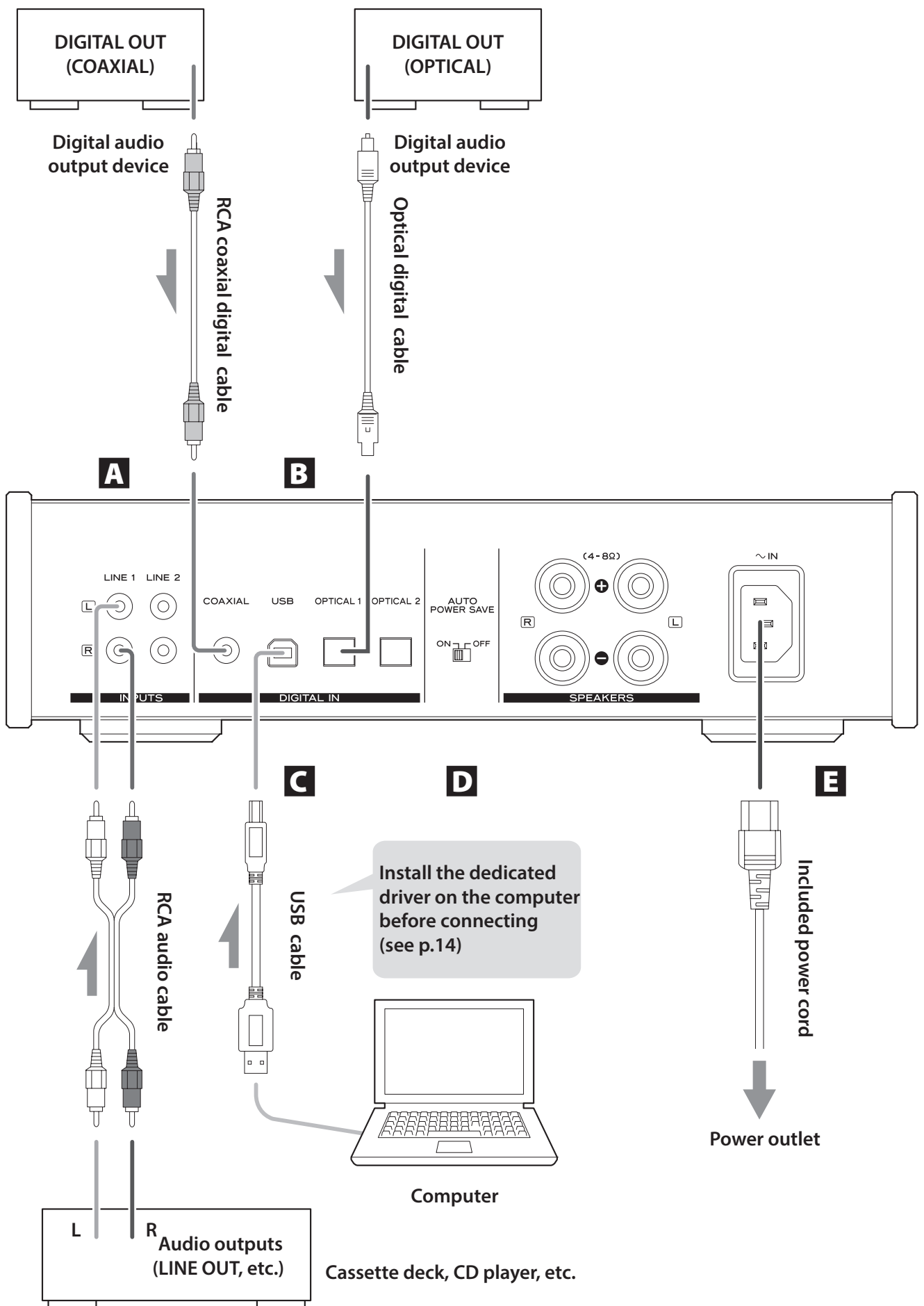
You can also connect speakers using commercially available banana plugs. Connect the speaker cable to the banana plug first, and then insert the plug into the terminal.

- Loosen the terminal cap before using the banana plug.
- Carefully read the instructions of the banana plugs that you intend to use with this unit.

For European customers

In accordance with European safety regulations, it is not possible to connect banana plugs to the speaker terminals on European models. The holes into which banana plugs are inserted have been covered with black caps. Connect the speakers using spades or bare wires. If the black caps become separated from the terminals, return them to their original position.

Connecting equipment



A Analog audio input connectors (LINE 1), (LINE 2)

Use these to input stereo analog audio.

Connect cassette decks, CD players and other analog audio output devices to these RCA jacks.

Use a commercially available RCA audio cable to connect these devices.

Connect this unit's R jack with the R jack of the audio output device. Likewise, connect its L jack to the other in device's L jack.



B Digital audio input connectors (COAXIAL), (OPTICAL 1), (OPTICAL 2)

Use these to input digital audio. Connect the digital audio outputs of other devices to these connectors.

COAXIAL: RCA Coaxial digital cable

OPTICAL: Optical digital cable (TOS)

C USB input port (USB)

Use this to input digital audio from a computer. Connect it to the computer's USB port, using a commercially available USB (TYPE B) cable.

CAUTION

Install the dedicated driver on the computer before connecting. If you connect this unit to a computer that does not have the driver installed, the operation of the computer could be impaired, including, for example, causing it to operate more slowly (see p. 14).

D AUTO POWER SAVE switch

Use to turn the automatic power saving function ON and OFF.

When ON, the unit will automatically enter standby mode if there is no audio input for 30 minutes or more.

- When in standby mode, turn this unit's INPUT SELECTOR or press a button on the remote control to turn the power ON.

E Power inlet (~IN)

Insert the included power cord here. After completing all other connections, insert the power plug into a power outlet.

Unplug the cord from the outlet when not using the unit for a long time.

- ⚠ Use only the included power cord. Use of a different cord could cause fire or electric shock.

⚠ Do not turn the power on until after making all connections.

- Carefully read the manuals of the devices that you are connecting and follow their instructions when making connections.
- Do not bundle connecting cables with power cords. Doing so could cause noise.
- Connect all plugs completely.

Using the remote control

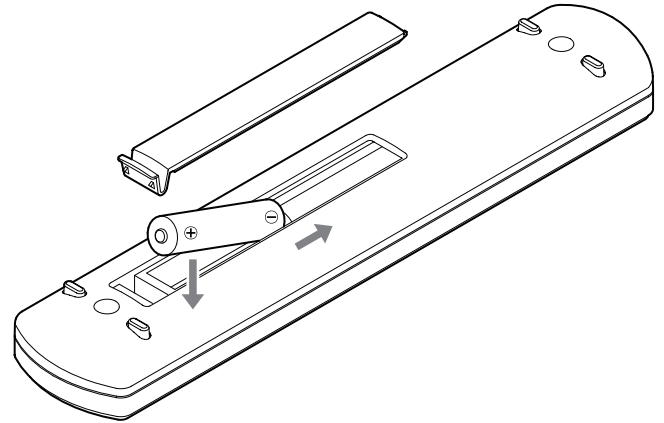
Precautions for use

⚠ Misuse of batteries could cause them to rupture or leak leading to fire, injury or the staining of items nearby. Please carefully read and observe the precautions on page 3.

- Point the remote control unit at the main unit's remote sensor from within 5 meters (16 feet) of it. Make sure that there are no obstructions between the remote control and the main unit.
- If direct sunlight or strong artificial illumination shines on the remote sensor, the remote control might not function. If that is the case, move this unit to another location.
- If the remote control unit is operated near other devices that generate infrared rays, or if other remote control devices using infrared rays are used near the unit, it might operate incorrectly. The other devices might also operate incorrectly.

Battery installation

Remove the cover from the back of the remote control and insert two AAA batteries with their \oplus/\ominus ends oriented in the case as shown. Replace the cover.

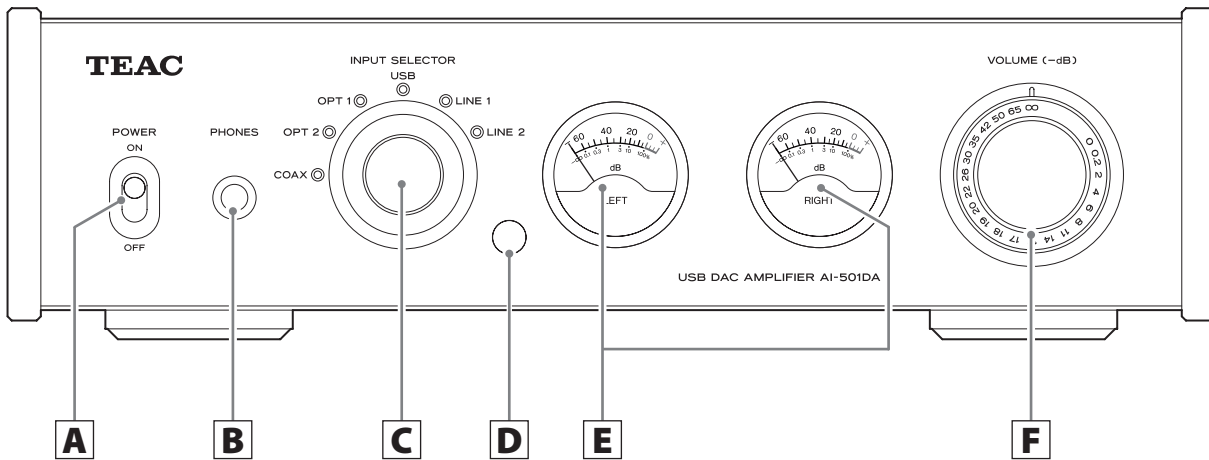


Battery replacement

If the operation range of the remote control decreases, the batteries have become exhausted. In this case, replace the batteries with new ones.

For detailed information about the collection of batteries, please contact your local municipality, your waste disposal service or the point of sale where you purchased the items.

Names and functions of parts (main unit)



A POWER switch

Use to turn the power ON and OFF.

B PHONES jack

Connect headphones with a standard 6.3 mm (1/4") stereo plug here.

C INPUT SELECTOR knob

Use to select the input source. The indicator for the selected input source lights.

D Remote control signal receiver

Signals from the remote control are received here. When using the remote control, point it toward this area.

E Level meters

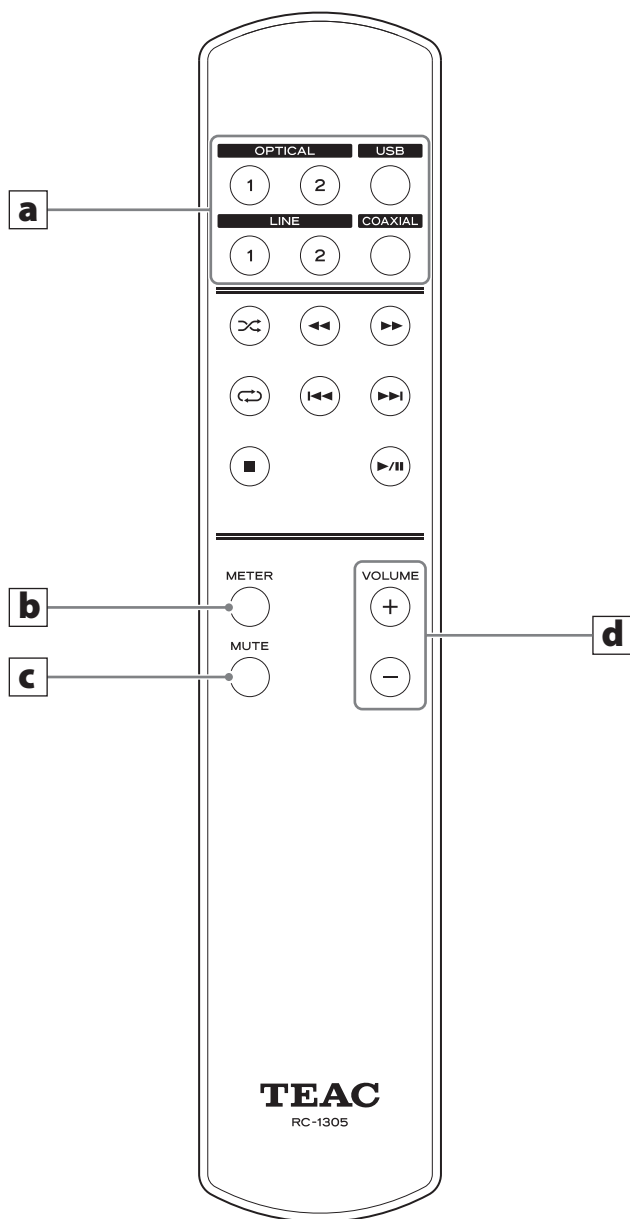
These show the output levels.

F VOLUME knob

Use to adjust the volume. Turn it clockwise (right) to increase it and counterclockwise (left) to decrease it.

The maximum volume is 0, and the minimum volume is $-\infty$ (minus infinity). Before turning the power ON, set the VOLUME knob to $-\infty$. Failure to do so could result in sudden loud noises that could damage speakers and harm your hearing.

Names and functions of parts (remote control)



a Input selection buttons

Use these to select the input source.

b METER Illumination adjustment button

Press this to cycle through the level meter illumination settings, which are bright, medium, dim and off in that order.

c MUTE button

Press this to temporarily silence sound output. Press it again to restore sound output at the previous level.

d VOLUME (+, -) buttons

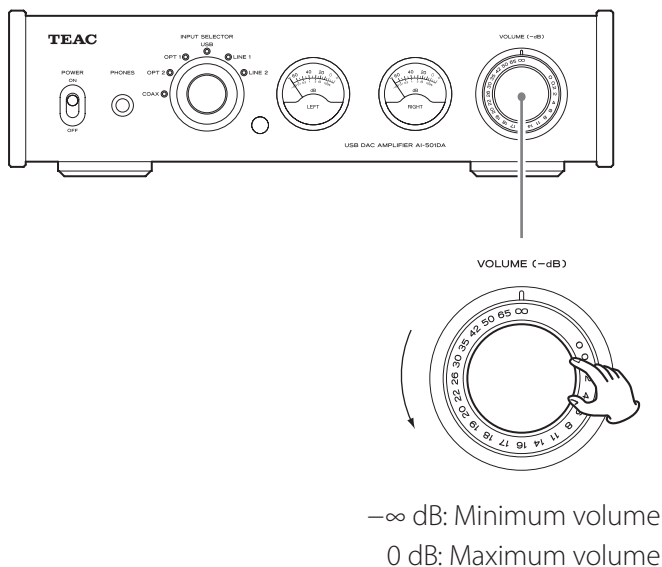
Use to adjust the volume.

- The RC-1305 remote control supplied with the AD-501DA can control both AI-501DA and PD-501HR units. This manual explains how to use it with the AI-501DA.
- When both the main unit and the remote control have buttons with the same functions, this manual explains how to use either of them. The corresponding buttons can be used in the same manner.

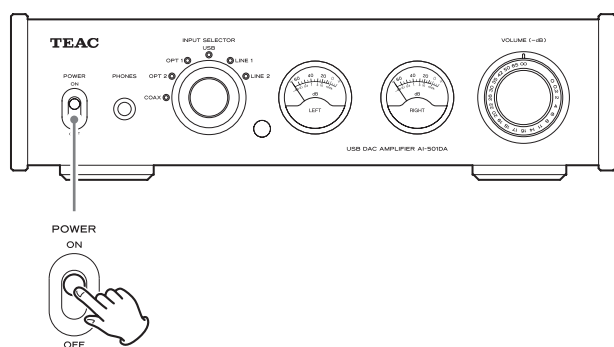
Basic operation

1 Minimize the volume.

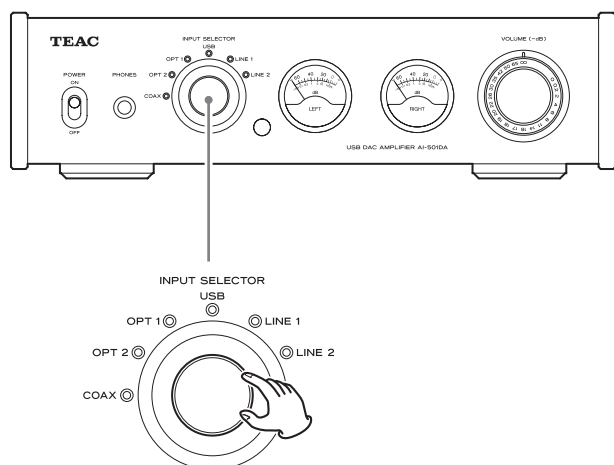
Use the VOLUME knob or the remote control VOLUME buttons to minimize the volume.



2 Set the POWER switch to ON.



3 Turn the INPUT SELECTOR knob to select the input source.



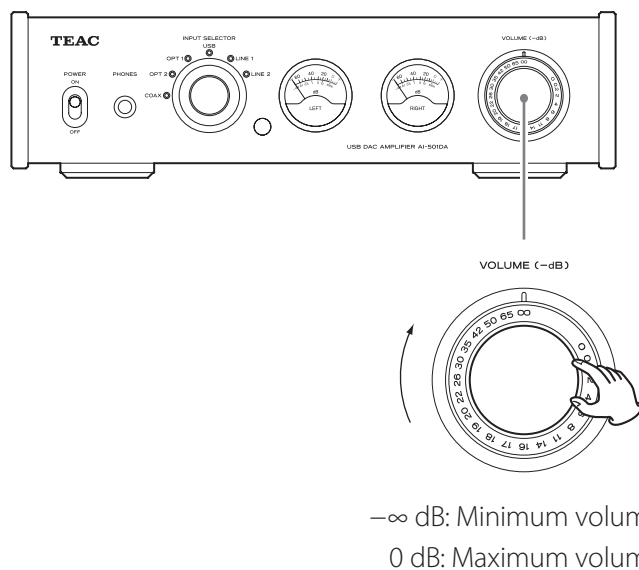
The indicator for the selected source lights.

- If digital audio signals input through OPT1, OPT2 or COAX inputs are in a format other than PCM (e.g. Dolby Digital, DTS, AAC), the input indicator will blink. Since this unit only supports the input of PCM format signals, confirm that the digital output of the connected equipment is in PCM format. Some devices convert signals into PCM format before output. See the operation manuals for the connected devices.
- Before connecting a computer and selecting USB, install the dedicated driver on the computer (see p. 14). Playback from a computer that does not have this driver installed is not possible.

4 Operate the playback device.

Refer to the operation manual of that device.

5 Adjust the volume.



Start playback on the source and use the VOLUME knob or remote control VOLUME buttons to adjust the volume to its optimal level.

Playing back music on a computer

Installing the driver on the computer

In order for this unit to play back audio files stored on a computer, you must first install a driver on the computer. Please download this driver from the following web address.

Driver software download page
http://www.teac.co.jp/audio/software_teac_e.html

USB connection is supported on computers running Windows XP (32-bit), Windows Vista (32/64-bit), Windows 7 (32/64-bit), Mac OS X 10.6 (Snow Leopard) (Mac OS X 10.6.4 or later), Mac OS X 10.7 (Lion) and Mac OS X 10.8 (Mountain Lion). (As of October, 2012)

Compatibility with other operating systems is not guaranteed.

CAUTION

Install the driver before connecting the unit with the computer by USB.

If you connect this unit with a computer before installing the driver, it will not work properly. Moreover, if the computer is running Windows XP, its operation could become noticeably slower, requiring it to be restarted.

- For instructions about driver installation procedures, please see our download page.
- Depending on the combination of hardware and software, proper operation might not be possible even with the above operating systems.

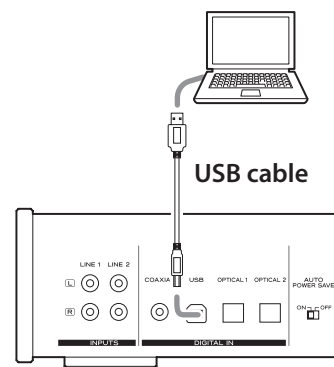
This unit connects using high-speed asynchronous mode. Transmittable sampling frequencies are 32 kHz, 44.1 kHz, 48 kHz, 88.2 kHz, 96 kHz, 176.4 kHz and 192 kHz.

When properly connected, you will be able to select "TEAC USB HS ASYNC AUDIO" as an audio output from the computer OS.

- In asynchronous mode, the audio data sent from the computer is processed using this unit's clock, allowing data transmission jitter to be reduced.

Playing back audio files on a computer

1 Connect the computer to the unit using a USB cable.

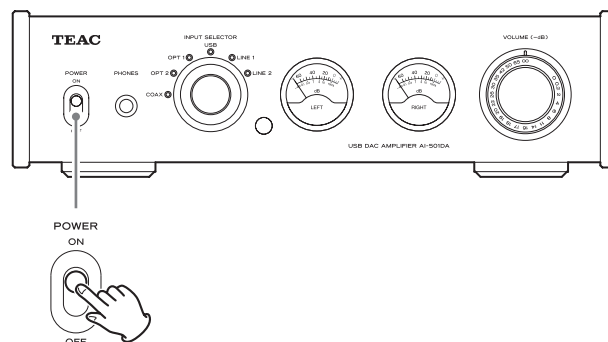


- Use a cable with a connector that fits the USB port on this unit.

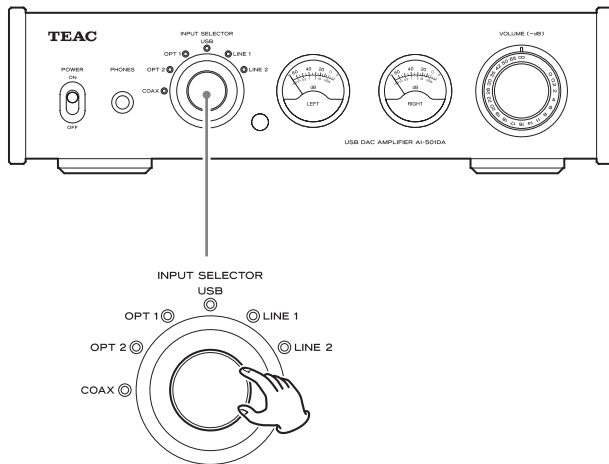
2 Turn the computer's power ON.

Confirm that the operating system has started up properly.

3 Turn the unit's POWER switch ON.



4 Turn the INPUT SELECTOR to select USB.



5 Start playback of a music file on the computer.

Maximize the volume on the computer and use this unit's VOLUME knob to adjust the output level for better sound quality.

Minimize the volume on this unit before starting playback and gradually raise the level.

- You cannot control this unit from the computer, and you cannot control the computer from this unit.
- Do not do any of the following when playing back an audio file while connected by USB. Doing so could cause the computer to function incorrectly. Always quit the music playback software that you are using before you do any of the following.
 - Disconnect the USB cable
 - Turn this unit's power OFF
 - Change this unit's input source
- If you connect this unit with the computer or change its input to USB after starting the music playback software, audio files might not play back correctly. If this occurs, restart the audio playback software or restart the computer.

Troubleshooting

If you experience a problem with this unit, please check the following items before requesting service. If it still does not operate correctly, contact the retailer where you purchased the unit or TEAC customer support (see the back cover for contact information).

General

The power will not turn on.

- ➔ Check that the power cord is completely plugged into the power outlet. If the outlet is switched, confirm that the switch is in the ON position.
- ➔ Connect a different electrical device to the outlet to confirm that it is supplying power.

No sound is output.

- ➔ Adjust the VOLUME knob. Turn it clockwise (right) to increase the volume (page 11).
- ➔ Use the INPUT SELECTOR knob to select the input that is connected to the source that you want to hear (page 13).
- ➔ Reconfirm connections with other equipment.

Remote control does not work.

- ➔ If the batteries are exhausted, replace both of them with new ones.
- ➔ The remote control will not work if there is an obstruction between it and the main unit. Point the remote control toward the main unit and use it within 5 m of the front panel.

There is a humming noise.

- ➔ If a connecting cable is near a power cord, fluorescent light or similar cause of interference, increase the distance between them as much as possible.

There is no sound from one side of the headphones.

- ➔ Confirm that the headphones plug is inserted completely.

Sound output suddenly stopped.

- ➔ Heat might have caused the protection circuit to activate. Set the POWER switch to OFF once, and wait several minutes before restarting the unit.

The level meter lights are blinking and no sound is output.

- ➔ The + and – speaker cables might have shorted. Turn the power OFF and check the speaker connections.

Automatic power saving caused the unit to enter standby.

- ➔ Shift the POWER switch to OFF once and then turn the power back ON.

Connections with a computer

The computer does not recognize this unit.

- ➔ USB connection is only possible with computers running the following operating systems.
 - Microsoft Windows
 - Windows XP (32-bit), Windows Vista (32/64-bit), Windows 7 (32/64-bit)
 - Apple Macintosh
 - Mac OS X 10.6 (Snow Leopard)
(Mac OS X 10.6.4 or later)
 - Mac OS X 10.7 (Lion)
 - Mac OS X 10.8 (Mountain Lion)
(As of October, 2012)

Operation with other operating systems is not guaranteed.
- ➔ You must install the dedicated driver on the computer (page 14).

There is noise.

- ➔ If other applications are run while a music file is being played back, the sound could break up and noise might be heard. Avoid running other applications during playback.
- ➔ If you connect this unit with the computer via a USB hub, noise might occur. If this happens, connect this unit directly to the computer.

Music files cannot be played back.

- ➔ Launch the music playback software and start playback after connecting this unit and the computer and setting the input to USB.
If you connect this unit and the computer, or switch the input to USB after launching the music playback software, the audio data might not play back properly.
- ➔ You must install the dedicated driver on the computer (page 14).

Since a microcomputer is used in this unit, it might not operate correctly sometimes due to noise and other interference from outside the unit. If this should occur, remove the AC cord from the power socket and wait a while before repowering the unit again.

Specifications

Amplifier

Maximum output	90 W + 90 W (4 Ω, 20 Hz – 20 kHz, JEITA) 45 W + 45 W (8 Ω, 20 Hz – 20 kHz, JEITA)
Rated output	60 W + 60 W (4 Ω, 20 Hz – 20 kHz, JEITA) 30 W + 30 W (8 Ω, 20 Hz – 20 kHz, JEITA)
Compatible speaker impedance range	4 Ω – 8 Ω
Total harmonic distortion	0.05% (1 kHz, 4 Ω, 55 W)
S/N ratio (input short)	
LINE IN	100 dB (IHF-A)
Frequency range	10 Hz – 60 kHz (–3 dB)

Headphones output

Connector	Standard 6.3 mm stereo jack
Maximum output level	50 mW + 50 mW or more (32 Ω, THD+N 0.1%)

Digital audio inputs

COAXIAL digital	RCA jack × 1 (0.5 Vp-p/75 Ω)
OPTICAL digital	Optical digital connectors × 2 (–24.0 to –14.5 dBm peak)
USB	Type B connector × 1 (USB 2.0 compliant)
Input sampling frequency	
COAXIAL digital/USB	32 kHz, 44.1 kHz, 48 kHz, 88.2 kHz, 96 kHz, 176.4 kHz, 192 kHz
OPTICAL digital	32 kHz, 44.1 kHz, 48 kHz, 88.2 kHz, 96 kHz
Quantization bit rates	16/24-bits

Analog audio inputs

Connectors	RCA jacks × 2 pairs
Nominal input level	–10 dBV
Maximum input level	+6 dBV

General

Power supply

Europe model AC 220 – 240 V, 50 Hz

U.S.A./Canada model AC 120 V, 60 Hz

Power consumption

Europe, USA/Canada models 50 W

External dimensions 290 mm × 81.2 mm × 264 mm

(11 3/8" × 3 1/4" × 10 3/8")

(W × H × D including protrusions)

Weight 4.0 kg (9 lb)

Operating temperature range +5°C to +35°C

Operating humidity range 5 – 85% (no condensation)

Storage temperature range –20°C to +55°C

Included accessories

Power cord × 1

Remote control unit (RC-1305) × 1

Batteries for remote control unit (AAA) × 2

Owner's Manual (this document) × 1

Warranty card × 1

- Specifications and appearance are subject to change without notice.
- Weight and dimensions are approximate.
- Illustrations in this owner's manual might differ slightly from production models.

INSTRUCTIONS DE SÉCURITÉ IMPORTANTES

- N'exposez pas cet appareil aux gouttes ni aux éclaboussures.
- Ne placez pas d'objet rempli de liquide sur l'appareil, comme par exemple un vase.
- N'installez pas cet appareil dans un espace confiné comme une bibliothèque ou un meuble similaire.
- L'appareil tire un courant nominal de veille de la prise secteur quand son interrupteur POWER ou STANDBY/ON n'est pas en position ON.
- L'appareil doit être placé suffisamment près de la prise de courant pour que vous puissiez à tout moment atteindre facilement la fiche du cordon d'alimentation.
- La fiche secteur est utilisée comme dispositif de déconnexion et doit donc toujours rester disponible.
- Les produits de Classe I sont équipés d'un cordon d'alimentation ayant une fiche de terre. Le cordon de ces produits doit être branché dans une prise de terre.
- Si le produit utilise des batteries (y compris un pack d'accus ou des piles), elles ne doivent pas être exposées au soleil, au feu ou à une chaleur excessive.
- PRÉCAUTION pour les produits utilisant des batteries au lithium remplaçables : il existe un danger d'explosion en cas de remplacement par un type de batterie incorrect. Remplacez-les uniquement par des modèles identiques ou équivalents.
- Des précautions doivent être prises pour l'emploi d'écouteurs ou d'un casque avec le produit car une pression acoustique (volume) excessive dans les écouteurs ou dans le casque peut provoquer une perte d'audition.

Précautions concernant les piles

Une mauvaise utilisation des piles peut les amener à se rompre ou à fuir, entraînant un incendie, des blessures ou des tâches pour les objets voisins. Veuillez lire et observer attentivement les précautions suivantes.


- Assurez-vous d'insérer les piles en respectant les polarités plus (+) et moins (-).
- Utilisez des piles du même type. N'essayez jamais d'utiliser en même temps des types de pile différents.
- Si la télécommande doit rester utilisée pendant une longue période (plus d'un mois), retirez ses piles pour éviter leur fuite.
- Si les piles fuient, essuyez le liquide dans le compartiment des piles et remplacez les piles par des neuves.
- N'utilisez pas d'autres piles que les piles spécifiées. Ne mélangez pas des piles neuves avec des vieilles piles, et n'utilisez pas des piles de types différents en même temps.
- Ne chauffez pas et ne démontez pas les piles, et ne les jetez jamais dans le feu ou dans l'eau.
- Ne transportez pas et ne rangez pas les piles avec des objets métalliques. Les piles pourraient entrer en court-circuit, fuir ou exploser.
- Ne rechargez jamais une pile à moins d'être sûr qu'elle est d'un modèle rechargeable.

Pour les consommateurs européens

Mise au rebut des équipements électriques et électroniques

- (a) Tout équipement électrique et électronique doit être traité séparément de la collecte municipale d'ordures ménagères dans des points de collecte désignés par le gouvernement ou les autorités locales.
- (b) En vous débarrassant correctement des équipements électriques et électroniques, vous contribuerez à la sauvegarde de précieuses ressources et à la prévention de potentiels effets négatifs sur la santé humaine et l'environnement.
- (c) Le traitement incorrect des déchets d'équipements électriques et électroniques peut avoir des effets graves sur l'environnement et la santé humaine en raison de la présence de substances dangereuses dans les équipements.
- (d) Le symbole de déchets d'équipements électriques et électroniques (DEEE), qui représente une poubelle à roulettes barrée d'une croix, indique que l'équipement électrique et électronique doit être collecté et traité séparément des déchets ménagers. 
- (e) Des systèmes de retour et de collecte sont disponibles pour l'utilisateur final. Pour des informations plus détaillées sur la mise au rebut des vieux équipements électriques et électroniques, veuillez contacter votre mairie, le service d'ordures ménagères ou le magasin dans lequel vous avez acquis l'équipement.

Mise au rebut des batteries et/ou accumulateurs

- (a) Les batteries et/ou accumulateurs hors d'usage doivent être traités séparément de la collecte municipale d'ordures ménagères dans des points de collecte désignés par le gouvernement ou les autorités locales.
- (b) En vous débarrassant correctement des batteries et/ou accumulateurs hors d'usage, vous contribuerez à la sauvegarde de précieuses ressources et à la prévention de potentiels effets négatifs sur la santé humaine et l'environnement.
- (c) Le traitement incorrect des batteries et/ou accumulateurs hors d'usage peut avoir des effets graves sur l'environnement et la santé humaine car ils contiennent des substances dangereuses.
- (d) Le symbole de déchets d'équipements électriques et électroniques (DEEE), qui représente une poubelle à roulettes barrée d'une croix, indique que les batteries et/ou accumulateurs doivent être collectés et traités séparément des déchets ménagers. 
Pb, Hg, Cd
Si une batterie ou un accumulateur contient plus que les valeurs spécifiées de plomb (Pb), mercure (Hg) et/ou cadmium (Cd) telles que définies dans la directive sur les batteries (2006/66/EC), alors les symboles chimiques de ces éléments seront indiqués sous le symbole DEEE.
- (e) Des systèmes de retour et de collecte sont disponibles pour l'utilisateur final. Pour des informations plus détaillées sur la mise au rebut des batteries et/ou accumulateurs, veuillez contacter votre mairie, le service d'ordures ménagères ou le magasin dans lequel vous les avez achetés.

Sommaire

Nous vous remercions d'avoir choisi TEAC. Lisez ce mode d'emploi avec attention pour tirer les meilleures performances de cette unité.

Éléments fournis.	21
Avant l'utilisation	22
Entretien	22
Branchement des enceintes	23
Branchement de l'équipement	24
Emploi de la télécommande	26
Nomenclature et fonctions des parties (unité principale)	27
Nomenclature et fonctions des parties (télécommande).	28
Fonctionnement de base	29
Lecture de musique sur un ordinateur	30
Guide de dépannage	32
Caractéristiques techniques.	34

Éléments fournis

Vérifiez que l'emballage contient bien tous les éléments représentés ci-dessous.

Veuillez contacter le magasin dans lequel vous avez acheté cette unité si l'un de ces éléments manque ou a été endommagé durant le transport.

Cordon d'alimentation × 1

Télécommande (RC-1305) × 1

Piles pour télécommande (AAA) × 2

Mode d'emploi (ce document) × 1

- Conservez ce mode d'emploi dans un endroit sûr pour référence ultérieure.

Carte de garantie × 1

FR

Avant l'utilisation

Précautions de placement

- Ne posez rien sur l'unité.
- Évitez d'exposer l'unité directement au soleil et de la placer près d'une quelconque source de chaleur telle qu'un radiateur, une bouche de chauffage, une cheminée ou un amplificateur. Évitez aussi les endroits sujets aux vibrations ou exposés à une poussière excessive, au froid et à l'humidité.
- Placez l'unité sur une surface stable près du système audio que vous allez utiliser avec elle.
- Il est possible que l'unité chauffe durant l'utilisation, laissez donc toujours un espace suffisant autour d'elle pour sa ventilation. Quand vous installez cette unité, laissez un peu d'espace (au moins 3 cm) entre elle et les murs et d'autres appareils afin de permettre une bonne dissipation thermique. Si vous la placez par exemple dans un rack, laissez au moins 5 cm de libre au-dessus de l'unité et 10 cm derrière elle. Ne pas laisser ces espaces peut entraîner une montée de température ayant pour résultat un incendie.
- Vous pouvez empiler cette unité avec un PD-501HR ou d'autres unités de la gamme 501. Toutefois, si la chaleur déclenche le circuit de protection et que le son se coupe brutalement, placez cette unité sur le dessus et à distance suffisante des murs et autres appareils afin d'améliorer la dissipation thermique.
- Ne déplacez pas l'unité durant l'utilisation.
- La tension d'alimentation de l'unité doit correspondre à la tension imprimée sur son panneau arrière. Si vous avez des doutes à ce sujet, consultez un électricien.
- N'ouvrez pas le boîtier de l'unité car cela peut endommager le circuit ou causer un choc électrique. Si un objet étranger pénètre dans l'unité, consultez votre revendeur ou le service après-vente TEAC.
- Quand vous débranchez le cordon d'alimentation de la prise secteur, tirez toujours sur la prise, jamais sur le cordon.
- En fonction des ondes électromagnétiques de télédiffusion, des parasites peuvent apparaître sur les écrans de télévision quand cette unité est sous tension. Ce n'est pas un mauvais fonctionnement de cette unité ou du téléviseur. Si cela se produit, éteignez cette unité.

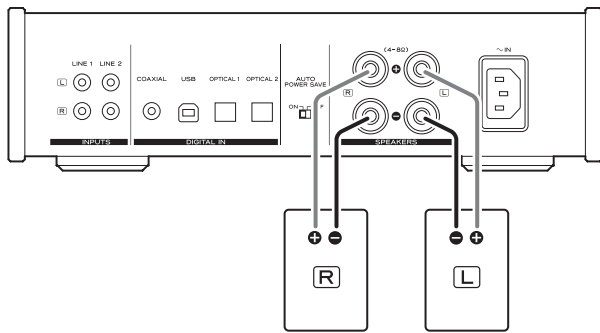
Entretien

Si la surface de l'unité est sale, essuyez-la avec un chiffon sec et doux. Si la surface de l'unité est très sale, humidifiez légèrement un chiffon doux avec un détergent neutre dilué et essorez-le bien pour éliminer tout liquide excessif avant de vous en servir pour nettoyer l'unité.

Pour votre sécurité, débranchez le cordon d'alimentation de la prise secteur avant tout nettoyage.

- Ne vaporisez jamais du liquide directement sur l'unité.
- N'utilisez pas de diluant ni d'alcool car ils peuvent endommager la surface de l'unité.
- Évitez un contact prolongé de l'unité avec des matériaux caoutchouteux ou plastiques car ceux-ci peuvent endommager le boîtier.

Branchement des enceintes



⚠ Précautions lors du branchement des enceintes

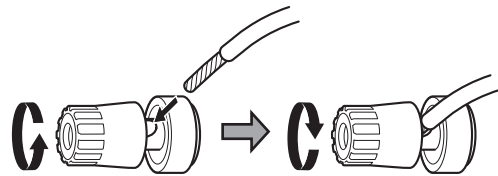
- Branchez le cordon d'alimentation une fois toutes les autres connexions faites.
- Lisez attentivement les modes d'emploi des appareils que vous branchez et suivez leurs instructions.

⚠ Attention

- Cette unité fonctionne avec des enceintes dont l'impédance nominale est comprise entre 4 Ω et 8 Ω . L'emploi d'enceintes d'impédance inférieure à 4 Ω peut notamment déclencher le circuit de protection, ce qui coupe le son. Dans certains cas, cette unité et les enceintes peuvent même être endommagées.
- Le bornier rouge de cette unité est le plus (+) et son bornier noir est le moins (-).
- Si l'extrémité dénudée d'un conducteur de câble d'enceinte entre en contact avec un autre câble ou bornier, un court-circuit peut en résulter.
- Ne laissez jamais un câble d'enceinte entrer en court-circuit.
- Pour éviter tout bruit parasite, ne regroupez pas les câbles d'enceinte avec le cordon d'alimentation ou d'autres câbles.

Branchement des câbles d'enceinte

- 1** Dénudez environ 1 cm de l'extrémité du câble d'enceinte et épissez-la bien.
- 2** Dévissez le capuchon du bornier dans le sens anti-horaire (vers la gauche).
- 3** Insérez le fil conducteur dans le trou du bornier à vis et revissez le capuchon dans le sens horaire (vers la droite) afin que le fil soit bien maintenu connecté.



- Ne laissez pas la gaine du câble toucher le bornier.

- 4** Assurez-vous qu'il est bien branché en tirant délicatement sur le câble.

Raccordement aux enceintes à l'aide de fiches bananes

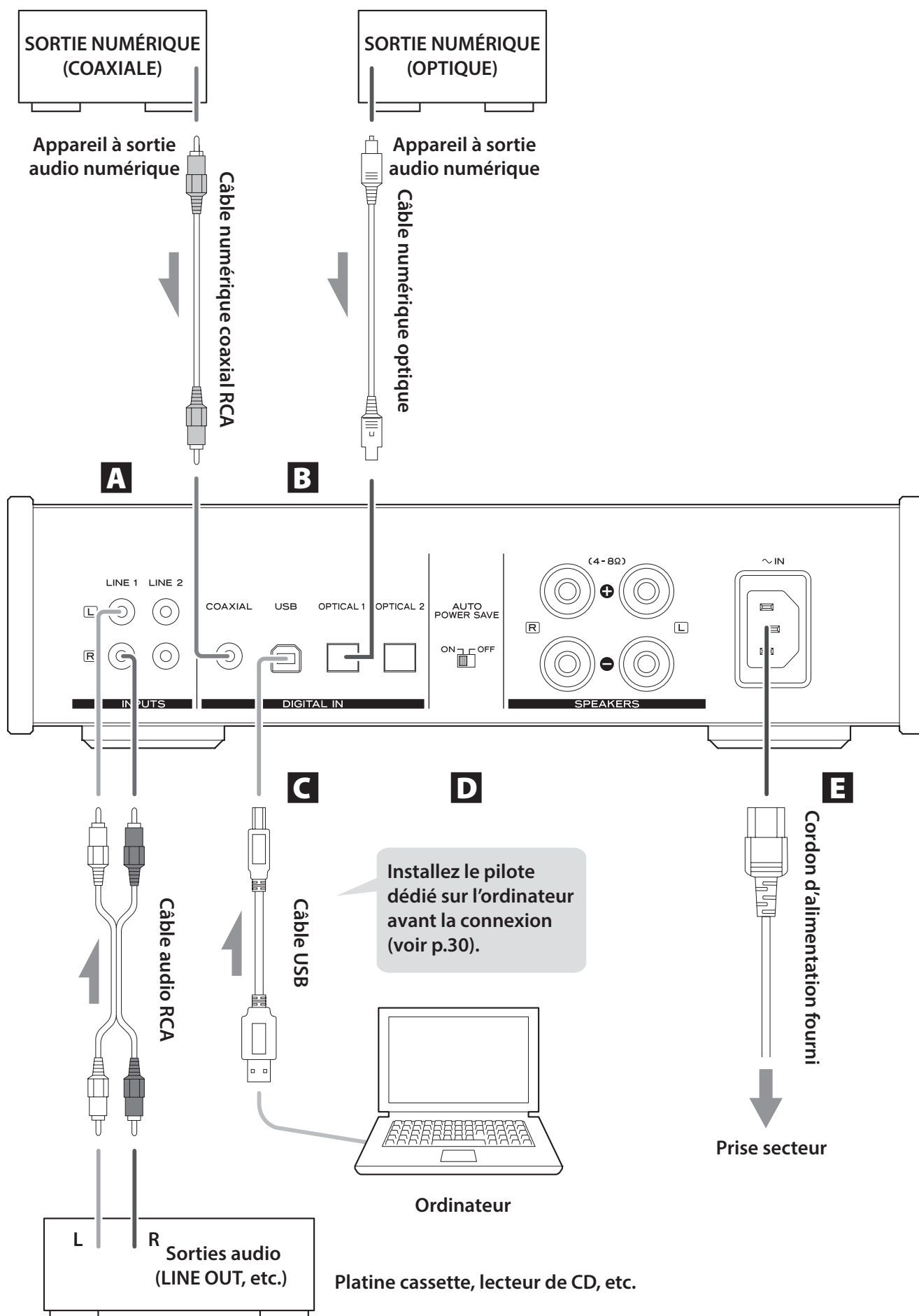
Vous pouvez aussi raccorder les enceintes à l'aide de fiches bananes du commerce. Branchez d'abord le câble d'enceinte à la fiche banane, puis insérez la fiche dans le bornier.

- Desserrez le capuchon du bornier avant d'utiliser la fiche banane.
- Lisez attentivement les instructions des fiches bananes que vous comptez employer avec cette unité.

Pour les consommateurs européens

Conformément aux réglementations de sécurité européennes, il n'est pas possible de brancher des fiches banane dans les borniers d'enceinte des modèles européens. Les orifices dans lesquels s'insèrent les fiches banane ont été occultés par des capuchons noirs. Branchez les enceintes à l'aide de cosses à fourche ou de câbles nus. Si les capuchons noirs sortent des borniers, remettez-les en place.

Branchement de l'équipement



A Prises d'entrée audio analogique (LINE 1), (LINE 2)

Servent à recevoir l'audio analogique stéréo.

Branchez à ces prises RCA des platines cassette, lecteurs de CD et autres appareils à sortie audio analogique.

Utilisez un câble audio RCA du commerce pour relier ces appareils.

Reliez la prise R (droite) de cette unité à la prise R de l'appareil à sortie audio. De même, reliez sa prise L (gauche) à la prise L de l'autre appareil.



B Prises d'entrée audio numérique (COAXIAL), (OPTICAL 1), (OPTICAL 2)

Servent à recevoir l'audio numérique. Branchez-y les sorties audio numériques d'autres appareils.

COAXIAL : câble numérique coaxial RCA

OPTICAL : câble numérique optique (TOS)

C Port d'entrée USB (USB)

Sert à recevoir l'audio numérique d'un ordinateur. Reliez-le au port USB d'un ordinateur, à l'aide d'un câble USB (TYPE B) du commerce.

ATTENTION

Installez le pilote logiciel dédié sur l'ordinateur avant la connexion. Si vous branchez cette unité à un ordinateur sur lequel le pilote n'est pas installé, le fonctionnement de l'ordinateur peut en être affecté, ce qui peut par exemple l'amener à fonctionner plus lentement (voir p. 30).

D Commutateur AUTO POWER SAVE

Sert à mettre en ou hors service la fonction d'économie automatique d'énergie.

Sur ON, l'unité passe automatiquement en mode de veille si elle reste au moins 30 minutes sans rien recevoir en entrée audio.

- Pour rallumer l'unité passée en mode de veille, tournez le bouton INPUT SELECTOR de cette unité ou pressez une touche de la télécommande.

E Prise d'entrée secteur (~IN)

Branchez ici le cordon d'alimentation fourni. Après avoir terminé tous les autres branchements, insérez la fiche du cordon d'alimentation dans une prise secteur.

Débranchez le cordon de la prise secteur en cas de non-utilisation prolongée de l'unité.

- ⚠ N'utilisez que le cordon d'alimentation fourni. L'emploi d'un autre cordon peut entraîner un incendie ou un choc électrique.

⚠ Ne mettez sous tension qu'une fois toutes les connexions effectuées.

- Lisez attentivement les modes d'emploi des appareils que vous branchez et suivez leurs instructions quand vous faites les branchements.
- Ne regroupez pas les câbles de connexion avec des cordons d'alimentation. Cela pourrait entraîner des bruits.
- Branchez à fond toutes les fiches.

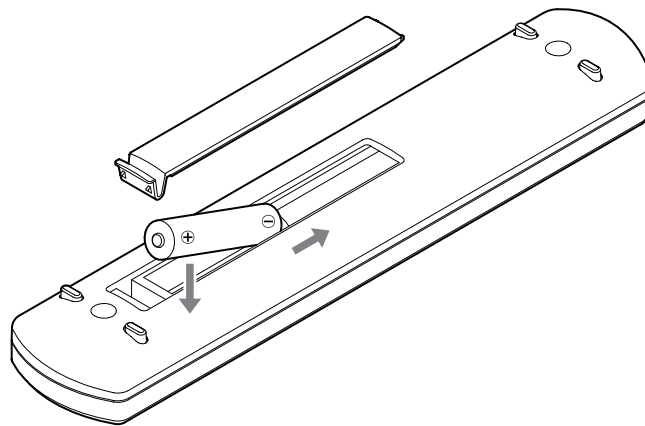
Précautions d'emploi

⚠ Un mauvais emploi des piles peut entraîner leur rupture ou leur fuite, avec pour conséquence un incendie, des blessures ou la salissure des objets proches. Veuillez attentivement lire et respecter les précautions en page 20.

- Pointez la télécommande vers le capteur correspondant de l'unité principale à moins de 5 mètres de cette dernière. Assurez-vous qu'il n'y a pas d'obstacle entre la télécommande et l'unité.
- Si le soleil ou une forte source de lumière artificielle donne sur le capteur de télécommande, cette dernière peut ne pas fonctionner. Si c'est le cas, déplacez cette unité ailleurs.
- Si la télécommande est employée à proximité d'autres appareils générant des rayons infrarouges, ou si d'autres télécommandes utilisant des rayons infrarouges sont utilisées près de l'unité, cette dernière peut ne pas bien fonctionner. Les autres appareils peuvent aussi mal fonctionner.

Mise en place des piles

Ouvrez l'arrière de la télécommande et insérez deux piles AAA avec leurs pôles \oplus / \ominus orientés comme illustré. Remplacez le couvercle.

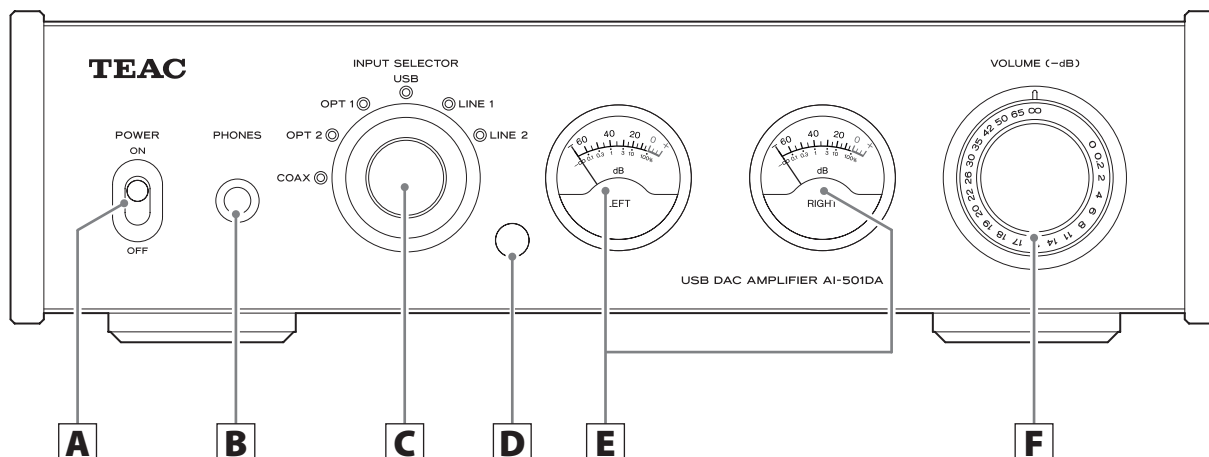


Remplacement des piles

Si la portée de fonctionnement de la télécommande se réduit, c'est que les piles sont déchargées. Dans ce cas, remplacez-les par des neuves.

Pour des informations détaillées sur la collecte des piles, veuillez contacter votre mairie, votre service d'ordures ménagères ou le point de vente dans lequel vous avez acheté les articles.

Nomenclature et fonctions des parties (unité principale)



A Interrupteur d'alimentation POWER

Sert à mettre sous et hors tension.

B Prise PHONES

Branchez ici un casque à fiche jack 6,35 mm stéréo standard.

C Bouton INPUT SELECTOR

Sert à sélectionner la source d'entrée. Le voyant de la source d'entrée sélectionnée s'allume.

D Capteur de signal de télécommande

Les signaux envoyés par la télécommande sont reçus ici. Lorsque vous utilisez la télécommande, pointez-la vers cette zone.

E Indicateurs de niveau

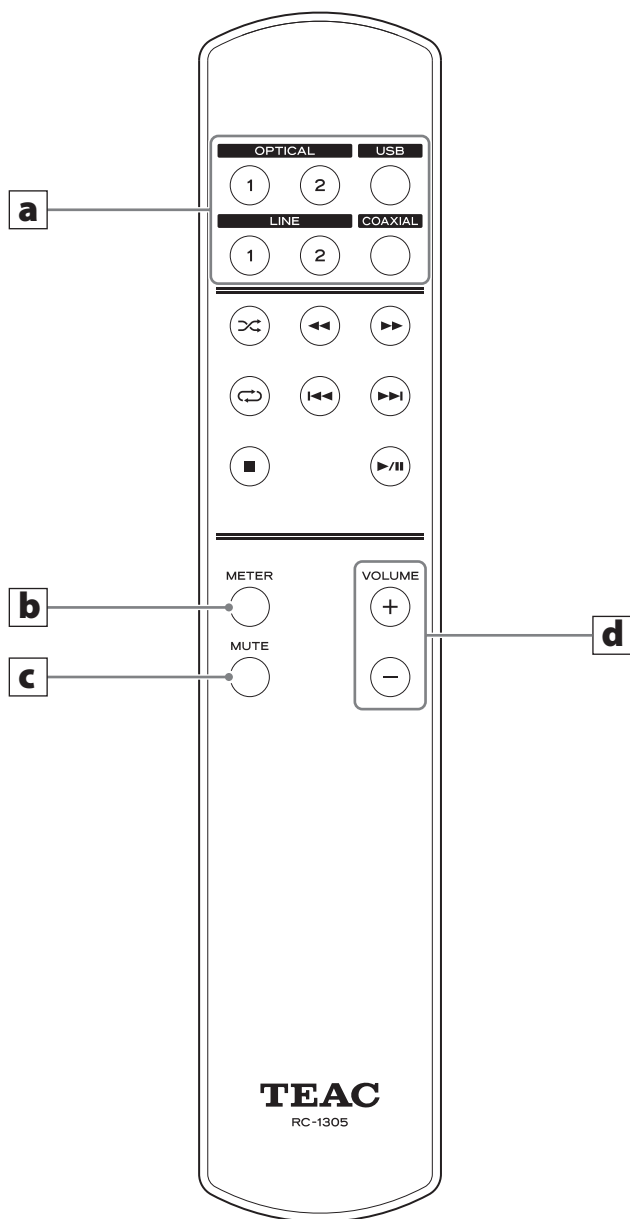
Ils affichent les niveaux de sortie.

F Bouton VOLUME

Sert à régler le volume. Tournez-le dans le sens horaire (vers la droite) pour augmenter le volume et dans le sens anti-horaire (vers la gauche) pour le baisser.

Le volume maximal est 0, et le volume minimal est $-\infty$ (moins l'infini). Avant de mettre sous tension, ramenez le bouton VOLUME sur $-\infty$. Ne pas le faire peut entraîner des bruits forts et soudains risquant d'endommager les haut-parleurs et d'altérer votre audition.

Nomenclature et fonctions des parties (télécommande)



a Touches de sélection d'entrée

Servent à sélectionner la source d'entrée.

b Touche de réglage de luminosité des indicateurs de niveau

Appuyez sur cette touche pour faire défiler les réglages de luminosité des indicateurs de niveau, qui sont dans l'ordre bright (lumineux), medium (moyen), dim (atténué) et off (éteint).

c Touche MUTE

Appuyez sur cette touche pour réduire temporairement la sortie du son au silence. Appuyez à nouveau pour rétablir le son à son niveau antérieur.

d Touches VOLUME (+, -)

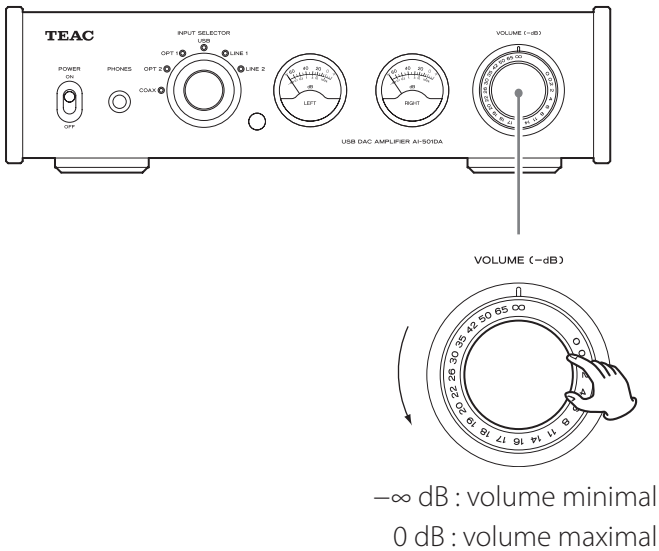
Servent à régler le volume.

- La télécommande RC-1305 fournie avec l'AD-501DA peut contrôler à la fois l'AI-501DA et le PD-501HR. Ce mode d'emploi explique son emploi avec l'AI-501DA.
- Quand l'unité principale et la télécommande ont toutes les deux des touches ayant les mêmes fonctions, ce mode d'emploi explique comment utiliser l'une ou l'autre. La touche correspondante peut s'utiliser de la même façon.

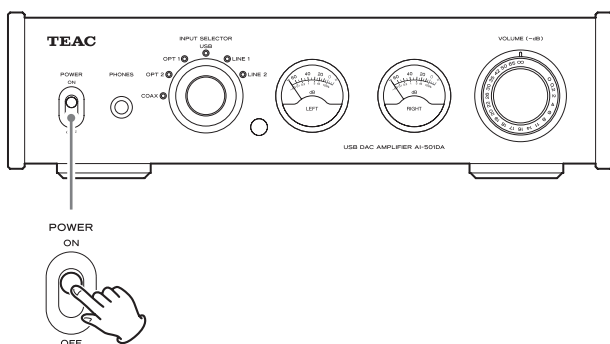
Fonctionnement de base

1 Minimisez le volume.

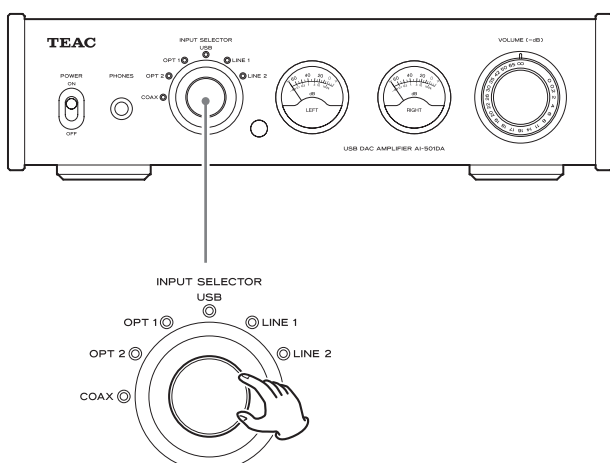
Utilisez le bouton VOLUME ou les touches VOLUME de la télécommande pour minimiser le volume.



2 Basculez l'interrupteur d'alimentation POWER sur ON.



3 Tournez le bouton INPUT SELECTOR pour choisir la source d'entrée.



Le voyant de la source sélectionnée s'allume.

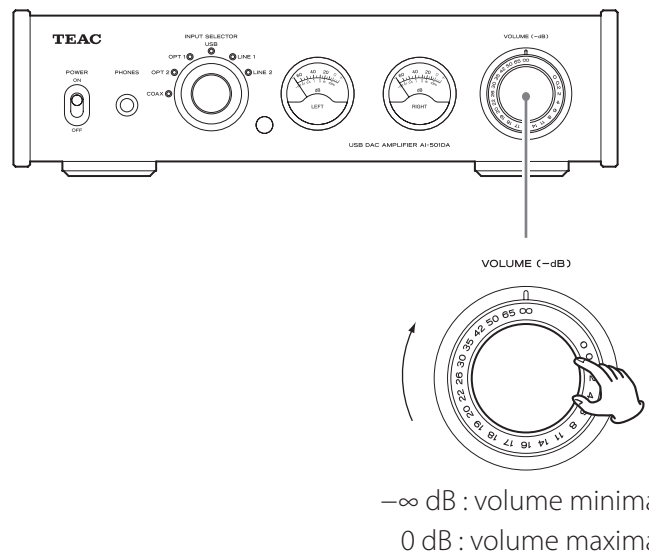
- Si les signaux audio numériques reçus aux entrées OPT1, OPT2 ou COAX sont à un autre format que PCM (par ex. Dolby Digital, DTS, AAC), le voyant d'entrée clignote. Comme cette unité n'accepte que les signaux au format PCM, vérifiez que la sortie numérique de l'équipement connecté est au format PCM. Certains appareils convertissent les signaux au format PCM avant la sortie. Voir les modes d'emploi des appareils connectés.

- Avant de brancher un ordinateur et de sélectionner USB, installez le pilote dédié sur l'ordinateur (voir p. 30). La lecture n'est pas possible depuis un ordinateur qui ne dispose pas de ce pilote.

4 Faites jouer l'appareil source.

Référez-vous au mode d'emploi de cet appareil.

5 Réglez le volume.



Lancez la lecture sur la source et utilisez le bouton VOLUME ou les touches VOLUME de la télécommande pour régler un niveau de volume optimal.

Installation du pilote sur l'ordinateur

Pour que cette unité puisse lire les fichiers audio conservés sur un ordinateur, vous devez d'abord installer un pilote sur l'ordinateur. Veuillez télécharger ce pilote à l'adresse web suivante.

Page de téléchargement du pilote logiciel
http://www.teac.co.jp/audio/software_teac_e.html

La connexion USB est prise en charge sur les ordinateurs sous Windows XP (32 bits), Windows Vista (32/64 bits), Windows 7 (32/64 bits) et Mac OS X 10.6 (Snow Leopard) (Mac OS X 10.6.4 ou ultérieur), Mac OS X 10.7 (Lion) et Mac OS X 10.8 (Mountain Lion). (en date d'octobre 2012) La compatibilité avec d'autres systèmes d'exploitation n'est pas garantie.

ATTENTION

Installez le pilote avant de relier l'unité à l'ordinateur par USB.

Si vous connectez cette unité à l'ordinateur avant d'installer le pilote, elle ne fonctionnera pas correctement. De plus, si l'ordinateur utilise Windows XP, son fonctionnement deviendra nettement plus lent, ce qui nécessite de le faire redémarrer.

- Pour des instructions sur les procédures d'installation du pilote, veuillez consulter notre page de téléchargement.
- Selon la combinaison ordinateur et logiciel, un bon fonctionnement peut ne pas être possible même avec les systèmes d'exploitation ci-dessus.

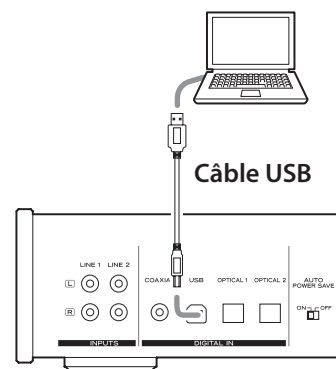
Cette unité se connecte en mode asynchrone haute vitesse. Les fréquences d'échantillonnage transmissibles sont 32, 44,1, 48, 88,2, 96, 176,4 et 192 kHz.

Quand la connexion est correcte, vous pouvez sélectionner « TEAC USB HS ASYNC AUDIO » comme sortie audio dans le système d'exploitation de l'ordinateur.

- En mode asynchrone, les données audio envoyées depuis l'ordinateur sont traitées au moyen de l'horloge de cette unité, ce qui permet de réduire la gigue de transmission des données.

Lecture de fichiers audio sur un ordinateur

1 Branchez l'ordinateur à l'unité à l'aide d'un câble USB.

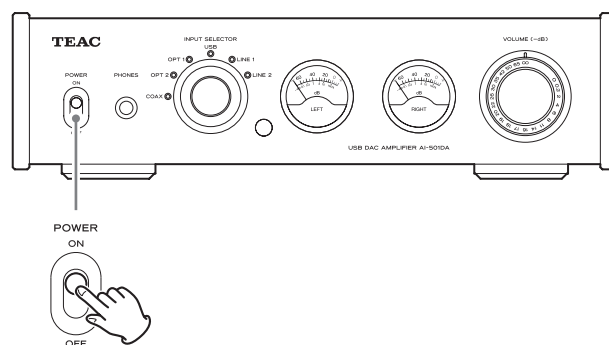


- Utilisez un câble dont le connecteur correspond au port USB de cette unité.

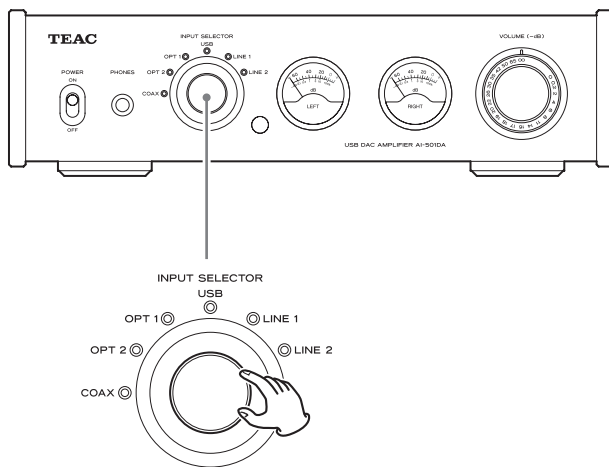
2 Mettez l'ordinateur sous tension.

Vérifiez que son système d'exploitation a normalement démarré.

3 Basculez l'interrupteur d'alimentation de l'unité sur ON.



4 Tournez le bouton INPUT SELECTOR pour sélectionner USB.



5 Lancez la lecture d'un fichier musical sur l'ordinateur.

Pour une meilleure qualité sonore, maximisez le volume sur l'ordinateur et utilisez la commande VOLUME de cette unité pour régler le niveau de sortie.

Minimisez le volume sur cette unité avant de lancer la lecture et montez progressivement le niveau.

- Vous ne pouvez pas contrôler cette unité depuis l'ordinateur, et vous ne pouvez pas contrôler l'ordinateur depuis cette unité.
- N'effectuez aucune des opérations suivantes pendant la lecture d'un fichier audio par USB. Cela pourrait entraîner un mauvais fonctionnement de l'ordinateur. Quittez toujours le logiciel de lecture de musique que vous utilisez avant d'entamer une des actions suivantes.
 - Déconnexion du câble USB
 - Extinction de cette unité
 - Changement de la source d'entrée de cette unité
- Si vous branchez cette unité à l'ordinateur ou si vous réglez son entrée sur USB après avoir lancé le logiciel de lecture de musique, les fichiers audio peuvent ne pas être lus correctement. Si cela se produit, faites redémarrer le logiciel de lecture audio ou l'ordinateur.

Si vous avez des problèmes avec cette unité, veuillez vérifier les points suivants avant de demander une intervention. Si elle ne fonctionne toujours pas correctement, contactez le revendeur qui vous a vendu l'unité ou le service clientèle TEAC (coordonnées au dos).

Générales

L'unité ne s'allume pas.

- ➔ Vérifiez que le cordon d'alimentation est complètement enfoncé dans la prise secteur. Si la prise a un commutateur, vérifiez que celui-ci est en position ON.
- ➔ Branchez un autre appareil électrique à la prise pour vérifier qu'elle fournit bien du courant.

Aucun son n'est produit.

- ➔ Réglez le bouton VOLUME. Tournez-le dans le sens horaire (vers la droite) pour augmenter le volume (page 27).
- ➔ Avec INPUT SELECTOR, sélectionnez l'entrée à laquelle est branchée la source que vous désirez entendre (page 29).
- ➔ Re-vérifiez les branchements aux autres équipements.

La télécommande ne fonctionne pas.

- ➔ Si les piles sont déchargées, remplacez les deux par des neuves.
- ➔ La télécommande ne fonctionnera pas s'il y a un obstacle entre elle et l'unité principale. Pointez la télécommande vers l'unité principale et utilisez-la dans un rayon de 5 m par rapport à la face avant.

Il y a un bruit de ronflement.

- ➔ Si un câble de liaison est proche d'un cordon d'alimentation, d'un éclairage fluorescent ou d'une cause de parasites similaire, écartez-les autant que possible l'un de l'autre.

Il n'y a pas de son d'un côté du casque.

- ➔ Vérifiez que la fiche du casque est enfoncée à fond.

Le son s'est coupé brutalement.

- ➔ La surchauffe peut avoir déclenché le circuit de protection. Réglez l'interrupteur d'alimentation sur OFF, et attendez quelques minutes avant de rallumer l'unité.

Les éclairages des indicateurs de niveau clignotent et aucun son ne sort.

- ➔ Les fils + et – d'une enceinte sont peut-être en court-circuit. Coupez l'alimentation et vérifiez les branchements des enceintes.

L'économiseur automatique d'énergie a mis l'unité en veille.

- ➔ Basculez l'interrupteur d'alimentation sur OFF puis ramenez-le sur ON.

Branchements à un ordinateur

L'ordinateur ne reconnaît pas cette unité.

- ➔ La connexion USB n'est possible qu'avec des ordinateurs ayant les systèmes d'exploitation suivants.

Microsoft Windows

Windows XP (32 bits), Windows Vista (32/64 bits),
Windows 7 (32/64 bits)

Apple Macintosh

Mac OS X 10.6 (Snow Leopard)

(Mac OS X 10.6.4 ou ultérieur)

Mac OS X 10.7 (Lion)

Mac OS X 10.8 (Mountain Lion)

(en date d'octobre 2012)

Le fonctionnement avec d'autres systèmes d'exploitation n'est pas garanti.

- ➔ Vous devez installer le pilote dédié sur l'ordinateur (page 30).

Il y a du bruit.

- ➔ Si d'autres applications tournent pendant la lecture d'un fichier musical, le son peut être interrompu et du bruit peut être entendu. Évitez d'employer d'autres applications pendant la lecture.
- ➔ Si vous reliez cette unité à l'ordinateur au travers d'un concentrateur (USB), du bruit peut être produit. Si cela se produit, branchez cette unité directement à l'ordinateur.

Les fichiers musicaux ne peuvent pas être lus.

- ➔ Lancez le logiciel de lecture musicale et faites démarrer la lecture après avoir raccordé cette unité et l'ordinateur, et après avoir réglé l'entrée sur USB.
Si vous branchez cette unité à l'ordinateur ou si vous réglez son entrée sur USB après avoir lancé le logiciel de lecture de musique, les données audio peuvent ne pas être lues correctement.
- ➔ Vous devez installer le pilote dédié sur l'ordinateur (page 30).

Comme cette unité utilise un micro-ordinateur, celui-ci peut parfois ne pas correctement fonctionner à cause de parasites et autres interférences extérieurs à l'unité. Si cela se produit, débranchez le cordon d'alimentation de la prise secteur et attendez un moment avant de ré-alimenter l'unité.

Caractéristiques techniques

Amplificateur

Sortie maximale90 W + 90 W
(4 Ω , 20 Hz – 20 kHz, JEITA)
45 W + 45 W
(8 Ω , 20 Hz – 20 kHz, JEITA)

Sortie nominale60 W + 60 W
(4 Ω , 20 Hz – 20 kHz, JEITA)
30 W + 30 W
(8 Ω , 20 Hz – 20 kHz, JEITA)

Plage de compatibilité d'impédance
des enceintes 4 Ω – 8 Ω

Distorsion harmonique totale 0,05% (1 kHz, 4 Ω , 55 W)

Rapport signal/bruit (entrée court-circuitée)
Entrée LINE 100 dB (IHF-A)

Réponse en fréquence 10 Hz – 60 kHz (–3 dB)

Sortie casque

Connecteur Jack 6,3 mm stéréo standard

Niveau maximal de sortie 50 mW + 50 mW ou plus
(32 Ω , DHT+B 0,1%)

Entrées audio numériques

Numérique COAXIALPrise RCA \times 1 (0,5 Vc-c/75 Ω)

Numérique OPTICAL Connecteurs numériques opt. \times 2
(–24,0 à –14,5 dBm en crête)

USB Connecteur de type B \times 1
(conforme USB 2.0)

Fréquence d'échantillonnage d'entrée
Numérique COAXIAL/USB 32 kHz, 44,1 kHz, 48 kHz,
88,2 kHz, 96 kHz, 176,4 kHz, 192 kHz
Numérique OPTICAL 32 kHz, 44,1 kHz, 48 kHz,
88,2 kHz, 96 kHz

Résolution de quantification 16/24 bits

Entrées audio analogiques

Connecteurs Prises RCA \times 2 paires

Niveau nominal d'entrée –10 dBV

Niveau maximal d'entrée +6 dBV

Générales

Alimentation électrique

Modèle EuropeCA 220 – 240 V, 50 Hz

Modèle U.S.A./CanadaCA 120 V, 60 Hz

Consommation électrique

Modèles Europe, USA/Canada 50 W

Dimensions externes 290 mm × 81,2 mm × 264 mm

(L × H × P hors tout)

Poids 4.0 kg

Température de fonctionnement +5°C à +35°C

Hygrométrie de fonctionnement 5 – 85%

(sans condensation)

Température de stockage –20°C à +55°C

Accessoires fournis

Cordon d'alimentation × 1

Télécommande (RC-1305) × 1

Piles pour télécommande (AAA) × 2

Mode d'emploi (ce document) × 1

Carte de garantie × 1

- Caractéristiques techniques et aspect sont sujets à changements sans préavis.
- Le poids et les dimensions sont des valeurs approchées.
- Les illustrations de ce mode d'emploi peuvent légèrement différer des modèles de production.

INSTRUCCIONES IMPORTANTES DE SEGURIDAD

- No exponga este aparato a salpicaduras ni goteras.
- No coloque objetos que contengan líquidos, como por ejemplo vasos, sobre el aparato.
- No instale este aparato en lugares cerrados tales como estanterías o similares.
- Este aparato libera corriente nominal no válida para el funcionamiento a través de la toma de corriente, aún cuando el interruptor de encendido y activación (POWER o STANDBY/ON) no esté en la posición de encendido (ON).
- Este aparato debe situarse lo suficientemente cerca de una toma de electricidad como para poder alcanzar fácilmente el cable de corriente en cualquier momento.
- El enchufe que se conecta a la red es el dispositivo de desconexión, por lo que deberá permanecer siempre en perfecto estado de uso.
- Los productos de construcción de Clase I están equipados con un cable de alimentación que tiene conexión de tierra. El cable de estos productos deberá conectarse a una toma de corriente que tenga conexión de protección de tierra.
- Si el producto utiliza pilas (esto incluye las pilas instaladas y los "packs" de pilas), se evitará su exposición directa al sol, al fuego o a cualquier otra fuente de calor excesivo.
- PRECAUCIÓN con los productos que emplean baterías de litio reemplazables: existe peligro de explosión si la batería se reemplaza por otra de tipo incorrecto. Reemplácela sólo por otra igual o de tipo equivalente.
- Deberá llevar cuidado si utiliza auriculares con este producto, ya que una excesiva presión sonora (volumen) procedente de los mismos puede causar pérdidas de audición.


Precauciones en relación a las pilas

Un mal uso de las pilas puede hacer que se rompan o que tengan fugas, y ello causar fuego, lesiones u oxidación en los objetos cercanos. Por favor, lea y observe las siguientes precauciones cuidadosamente.


- Asegúrese de introducir las pilas con la correcta orientación de los polos positivo (+) y negativo (-).
- Use pilas del mismo tipo. Nunca utilice juntas pilas de tipos diferentes.
- Si no va a utilizar el mando a distancia durante mucho tiempo (más de un mes), quite las pilas para evitar que se sulfaten y tengan fugas.
- Si las pilas presentan fugas, limpie el líquido que haya caído en el compartimento y sustituya las pilas por otras nuevas.
- No utilice pilas que no sean del tipo especificado. No mezcle pilas nuevas con viejas ni utilice juntas pilas de tipos distintos.
- No caliente ni desarme las pilas. Nunca tire pilas al fuego ni al agua.
- No transporte ni almacene pilas con otros objetos metálicos. Las pilas podrían producir cortocircuitos, perder líquido o explotar.
- Nunca recargue una pila si no está completamente seguro de que es una pila recargable.

Para consumidores europeos

Deshacerse de aparatos eléctricos y electrónicos

- (a) Todos los aparatos eléctricos y electrónicos deben ser eliminados separados del resto de basura común y únicamente en los "puntos limpios" o bajo los procedimientos especificados por el gobierno o autoridades municipales locales.
- (b) Con la eliminación correcta de los equipos eléctricos y electrónicos estará ayudando a conservar recursos muy valiosos y a evitar los posibles efectos negativos en la salud humana y en el medio ambiente.
- (c) La eliminación incorrecta de los equipos eléctricos y electrónicos puede producir efectos muy dañinos en el medio ambiente y en la salud humana a causa de las sustancias peligrosas que pueden encontrarse en estos equipos.
- (d) El símbolo de Eliminación de Aparatos Eléctricos y Electrónicos (WEEE en inglés), identificado por un cubo de basura con ruedas tachado, indica que los equipos eléctricos y electrónicos deben ser eliminados de forma totalmente independiente con respecto a la basura doméstica. 
- (e) Existen sistemas para la eliminación y recogida de este tipo de aparatos a disposición del usuario final. Si necesita más información acerca de la forma de deshacerse de aparatos eléctricos y electrónicos antiguos, póngase en contacto con su Ayuntamiento, con la correspondiente empresa del servicio de recogida de residuos o con el comercio en el que adquirió ese aparato.

Deshacerse de pilas y/o acumuladores

- (a) Las pilas y/o acumuladores gastados deben ser eliminados separados del resto de basura común y únicamente en los "puntos de recogida" o bajo los procedimientos especificados por el gobierno o autoridades municipales locales.
- (b) Con la eliminación correcta de las pilas y/o acumuladores gastados estará ayudando a conservar recursos muy valiosos y a evitar los posibles efectos negativos en la salud humana y en el medio ambiente.
- (c) La eliminación incorrecta de las pilas y/o acumuladores gastados puede producir efectos muy dañinos en el medio ambiente y en la salud humana con motivo de las sustancias peligrosas que pueden encontrarse en estos equipos.
- (d) El símbolo WEEE, identificado por un cubo de basura con ruedas tachado, indica que las pilas y/o acumuladores gastados deben ser eliminados de forma totalmente independiente con respecto a la **Pb, Hg, Cd** basura doméstica. 
Si una pila o un acumulador contienen más cantidad de los valores especificados de plomo (Pb), mercurio (Hg), y/o cadmio (Cd) según está definido en la Directiva relativa a las pilas (2006/66/EC), entonces los símbolos químicos correspondientes a estos elementos estarán indicados debajo del símbolo WEEE.
- (e) Existen sistemas para la eliminación y recogida a disposición del usuario final. Si necesita más información acerca de la forma de eliminar pilas y/o acumuladores gastados, póngase en contacto con su Ayuntamiento, con la correspondiente empresa del servicio de recogida de residuos o con el comercio donde se adquirieron.

Índice

Gracias por elegir TEAC. Lea detenidamente este manual para obtener el mejor rendimiento posible de esta unidad.

Accesorios incluidos	37
Antes de su utilización	38
Mantenimiento	38
Conexión de los altavoces.....	39
Conexión del equipo	40
Utilización del mando a distancia.....	42
Nombres y funciones de las partes (unidad principal)	43
Nombres y funciones de las partes (mando a distancia).....	44
Funcionamiento básico	45
Reproducción de música de un ordenador	46
Solución de posibles fallos	48
Especificaciones	50

Accesorios incluidos

Compruebe la caja para asegurarse de que contiene todos los accesorios que se enumeran más abajo.

Por favor, póngase en contacto con el establecimiento donde adquirió esta unidad en el caso de que cualquiera de estos accesorios falte o haya sufrido desperfectos durante el transporte.

Cable de corriente × 1

Mando a distancia (RC-1305) × 1

Pilas para el mando a distancia (AAA) × 2

Manual del usuario (este documento) × 1

- Conserve este manual en un lugar seguro para futuras consultas.

Tarjeta de garantía × 1

ES

Antes de su utilización

Precauciones de emplazamiento

- No ponga nada encima de la unidad.
- Evite colocar la unidad donde le dé la luz solar directa o cerca de una fuente de calor, como por ejemplo un radiador, un calefactor, una chimenea o un amplificador. Evite también lugares sujetos a vibraciones y a polvo, calor, frío o humedad excesivos.
- Coloque la unidad en un emplazamiento estable cerca del equipo de audio con el que la vaya a utilizar.
- Como la unidad puede calentarse durante el funcionamiento, deje siempre suficiente espacio a su alrededor para la ventilación. Cuando instale esta unidad, deje un pequeño espacio (al menos 3 cm) entre ella y las paredes u otros dispositivos con el fin de permitir una buena disipación del calor. Cuando la instale en un rack, por ejemplo, deje al menos 5 cm de espacio abierto por encima y 10 cm por detrás. Si no lo hace, podría causar que el calor se acumule en su interior y provocar un incendio.
- Puede apilar esta unidad con un PD-501HR u otras unidades de la serie 501. Sin embargo, si el calor llegase a activar el circuito de protección y la salida de sonido se detuviese de repente, coloque esta unidad en la parte de arriba y con la suficiente distancia entre ella y las paredes u otros dispositivos con el fin de mejorar la disipación del calor.
- No mueva la unidad cuando esté en uso.
- El voltaje suministrado a la unidad deberá coincidir con el voltaje impreso en el panel posterior. Si tiene dudas al respecto, consulte a un electricista.
- No abra la carcasa porque podría causar daños en los circuitos o una descarga eléctrica. En caso de que se introduzca un objeto extraño en la unidad, contacte con su distribuidor o con un servicio técnico TEAC autorizado.
- Cuando desenchufe el cable de corriente de una toma de electricidad, tire siempre directamente del conector, nunca del cable.
- Dependiendo de las ondas electromagnéticas de las emisiones de televisión, podrían aparecer interferencias en las pantallas de las televisiones cuando la unidad está encendida. Esto no significa que esta unidad o la televisión estén funcionando mal. Si esto ocurre, apague esta unidad.

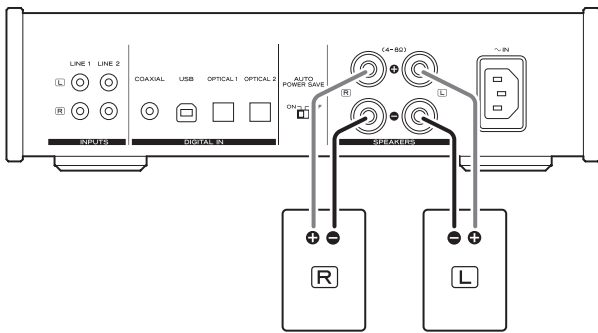
Mantenimiento

Si la superficie de esta unidad se ensucia, límpiela con un paño suave y seco. Si la unidad se ensucia mucho, humedezca ligeramente un paño suave con un líquido limpiador suave diluido y páselo eliminando cualquier exceso de líquido que pueda quedar antes de utilizar el paño para limpiar la unidad.

Por seguridad, desconecte el cable de corriente de la toma de electricidad antes de proceder a la limpieza.

- Nunca aplique ni rocíe líquidos directamente sobre esta unidad.
- No use disolvente ni alcohol, ya que pueden dañar la superficie de la unidad.
- Evite que materiales de goma o plástico estén en contacto con este producto durante largos periodos de tiempo porque podrían dañar la carcasa.

Conexión de los altavoces



⚠ Precauciones al conectar los altavoces

- Conecte los enchufes de los cables de corriente una vez que se hayan hecho todas las demás conexiones.
- Lea atentamente los manuales de instrucciones de los aparatos que esté conectando y siga sus instrucciones.

⚠ Precaución

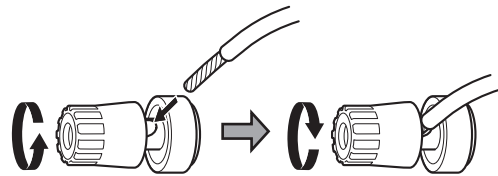
- Esta unidad funciona con altavoces que tengan impedancias nominales entre 4Ω y 8Ω. El uso de altavoces con impedancias menores a 4Ω, en particular, podría hacer que el circuito de protección se activase y dejase de salir sonido. En algunos casos, podrían incluso dañarse la unidad y los altavoces.
- El terminal rojo de esta unidad es el positivo (⊕) y el terminal negro es el negativo (⊖).
- Si un extremo de cable pelado (es decir, con los hilos del cable al aire) de un altavoz entra en contacto con otro cable o terminal, se puede producir un cortocircuito. Evite que esto suceda.
- Nunca permita que un cable de altavoz entre en cortocircuito.
- Para evitar ruidos, no agrupe ni junte los cables de altavoces con el cable de corriente u otros cables.

Conexión de los cables de los altavoces

- 1** Quite aproximadamente 1 cm de la funda aislante del extremo del cable de altavoz y retuerza el cable entrelazando los hilos entre sí lo mejor posible.

- 2** Gire la cubierta del terminal hacia la izquierda (dirección contraria a las agujas del reloj) para aflojarla.

- 3** Inserte el cable en el agujero del tornillo del terminal y gire la cubierta del terminal hacia la derecha (dirección de las agujas del reloj) para afianzar la conexión.



- No deje que la funda aislante del cable toque el terminal.

- 4** Compruebe que la conexión ha quedado bien firme tirando ligeramente del cable.

Conexión de los altavoces usando conectores de tipo banana

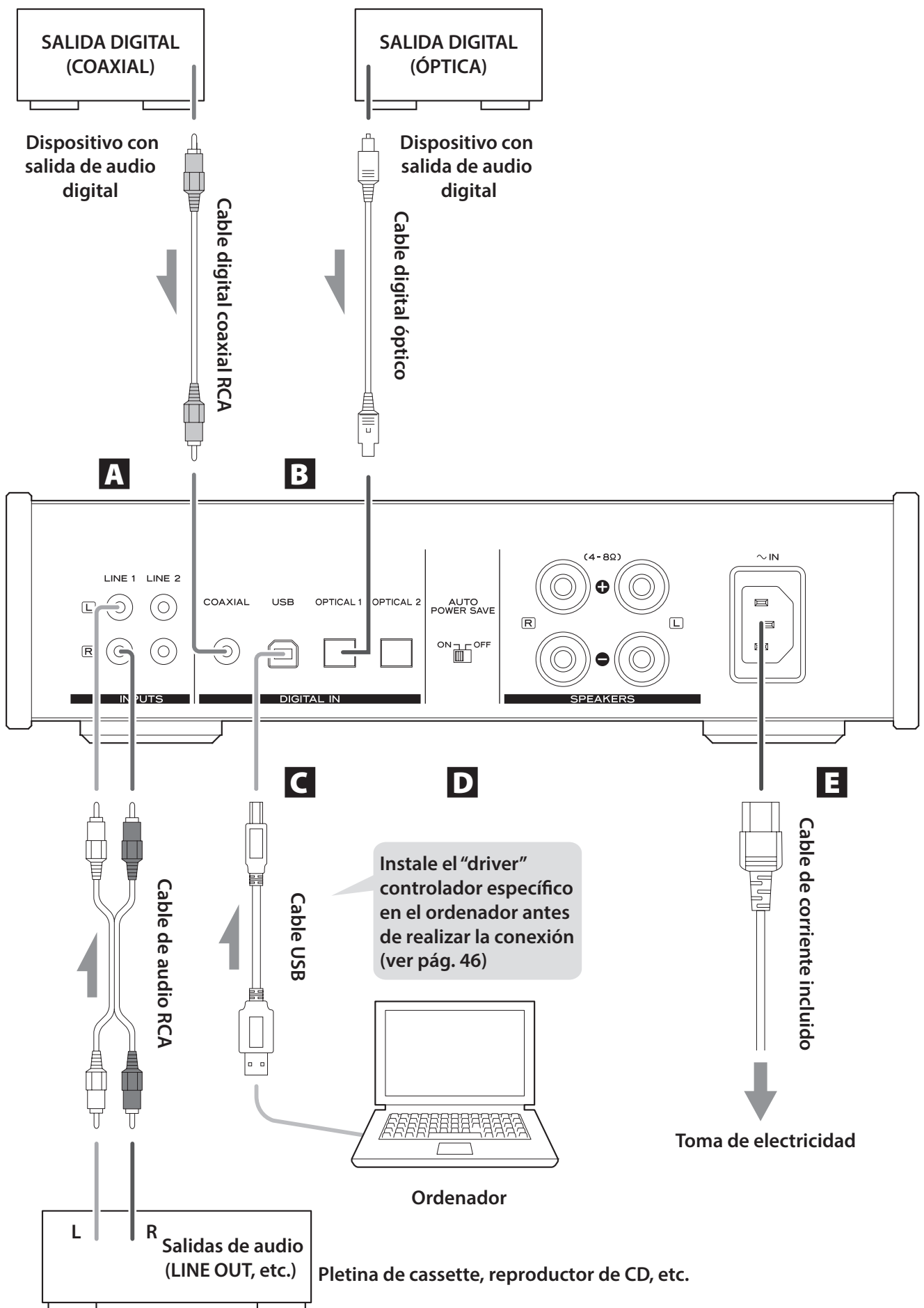
También puede conectar los altavoces usando conectores de tipo banana de los disponibles en establecimientos comerciales. Conecte el cable de altavoz al conector banana primero y luego inserte el conector en el terminal.

- Afloje la cubierta del terminal antes de usar el conector de tipo banana.
- Lea cuidadosamente las instrucciones de los conectores banana que vaya a utilizar con esta unidad.

Para los clientes de Europa

De conformidad con los reglamentos de seguridad europeos, no es posible conectar clavijas de tipo banana en los terminales de altavoz de los modelos europeos. Los orificios en los que se introducen las clavijas de tipo banana están cubiertos con tapas negras. Conecte los altavoces utilizando enganches de horquilla o cables pelados. Si las tapas negras se llegaran a desprender de los terminales, vuelva a colocarlas en sus respectivos sitios originales.

Conexión del equipo



A Terminales de entrada de audio analógico (LINE 1), (LINE 2)

Utilícelos para introducir audio analógico estéreo. Conecte en estos terminales RCA pletinas de cassette, reproductores de CD y otros dispositivos con salida analógica.

Use un cable de audio RCA de los disponibles en establecimientos comerciales para conectar estos dispositivos.

Conecte el terminal R (derecha) de esta unidad con el terminal R del dispositivo de salida de audio. Igualmente, conecte el terminal L (izquierda) al terminal L del otro dispositivo.



B Terminales de entrada de audio digital (COAXIAL), (OPTICAL 1), (OPTICAL 2)

Utilícelos para introducir audio digital. Conecte aquí las salidas de audio digital de otros dispositivos.

COAXIAL: cable digital coaxial RCA

OPTICAL: cable digital óptico (TOS)

C Puerto de entrada USB (USB)

Utilícelo para introducir audio digital desde un ordenador. Conéctelo al puerto USB del ordenador usando un cable USB (TIPO B) de los disponibles en establecimientos comerciales.

PRECAUCIÓN

Instale el "driver" controlador específico en el ordenador antes de hacer la conexión. Si conecta esta unidad a un ordenador que no tenga el "driver" controlador instalado, el funcionamiento del ordenador podría verse afectado, incluso, por ejemplo, ralentizando su funcionamiento (ver pág. 46).

D Interruptor AUTO POWER SAVE

Utilícelo para activar (ON) y desactivar (OFF) la función de ahorro de energía automático.

Cuando está activado, la unidad automáticamente entra en modo de reposo si no hay ninguna entrada de audio durante 30 minutos o más.

- En el modo de reposo, gire el mando INPUT SELECTOR de la unidad o pulse un botón en el mando a distancia para encender la unidad.

E Receptáculo del cable de corriente (~IN)

Inserte aquí el cable de corriente incluido. Después de terminar todas las demás conexiones, enchufe el cable de corriente a una toma de electricidad.

Desenchufe el cable de corriente de la toma de electricidad si no va a usar la unidad durante un largo periodo de tiempo.

- ⚠ Use solamente el cable de corriente incluido. El uso de un cable de corriente diferente podría causar fuego o una descarga eléctrica.

⚠ No encienda la corriente hasta después de haber hecho todas las conexiones.

- Lea atentamente los manuales de los dispositivos que está conectando y siga sus instrucciones cuando haga las conexiones.
- No agrupe los cables de las conexiones con los cables de corriente. Si lo hace puede originarse ruido.
- Inserte todos los conectores hasta el fondo.

Utilización del mando a distancia

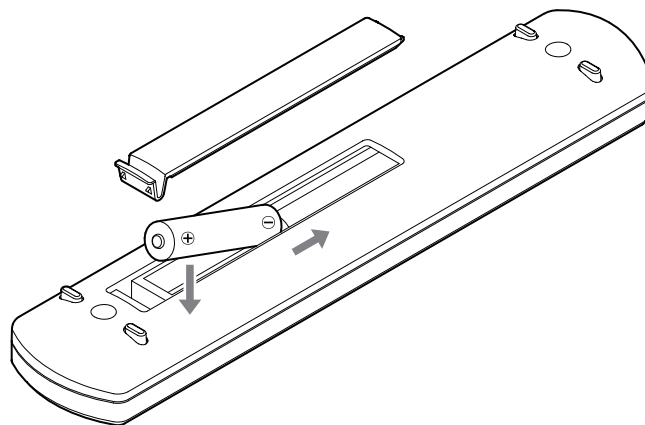
Precauciones de uso

⚠ Un mal uso de las pilas puede originar que se rompan o que tengan fugas y provocar fuego, daños u oxidación en objetos cercanos. Por favor, lea atentamente y observe las precauciones de la página 36.

- Dirija el mando a distancia hacia el sensor remoto de la unidad principal siempre dentro de un alcance máximo de 5 metros de distancia de la misma. Asegúrese de que no hay obstáculos entre la unidad principal y el mando a distancia.
- Si el sensor de control remoto recibe directamente la luz del sol o una luz artificial de mucha intensidad, el mando a distancia podría no funcionar. Si se da el caso, cambie esta unidad de sitio.
- El mando a distancia podría no funcionar correctamente si se usa cerca de otros productos que generen rayos infrarrojos o si se usan otros mandos a distancia que empleen rayos infrarrojos. Igualmente, los otros productos podrían funcionar también mal.

Instalación de las pilas

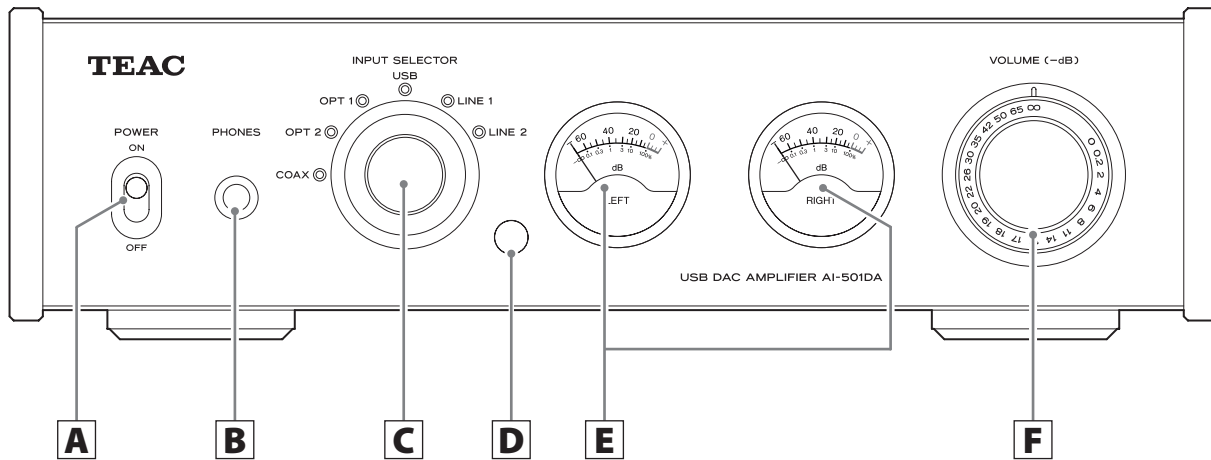
Quite la tapa de la parte posterior del mando a distancia e inserte en el compartimento dos pilas AAA con sus polos \oplus/\ominus orientados como se muestra en la figura. Vuelva a colocar la tapa.



Sustitución de las pilas

Si disminuye la distancia de funcionamiento entre el mando a distancia y la unidad principal, las pilas están gastadas. En ese caso, sustitúyalas por unas nuevas. Para más información sobre cómo deshacerse de las pilas, por favor contacte con su ayuntamiento, con el servicio local de recogida de residuos o con el punto de venta donde las compró.

Nombres y funciones de las partes (unidad principal)



A Interruptor POWER

Úselo para encender (ON) y apagar (OFF).

B Terminal PHONES

Conecte aquí unos auriculares con un conector estándar estéreo de 6.3 mm (1/4").

C Mando INPUT SELECTOR

Úselo para seleccionar la fuente de entrada. El indicador de la fuente de entrada se iluminará.

D Receptor de señal del mando a distancia

Aquí se reciben las señales del mando a distancia. Cuando utilice el mando a distancia, diríjalo hacia esta zona.

E Medidores de nivel

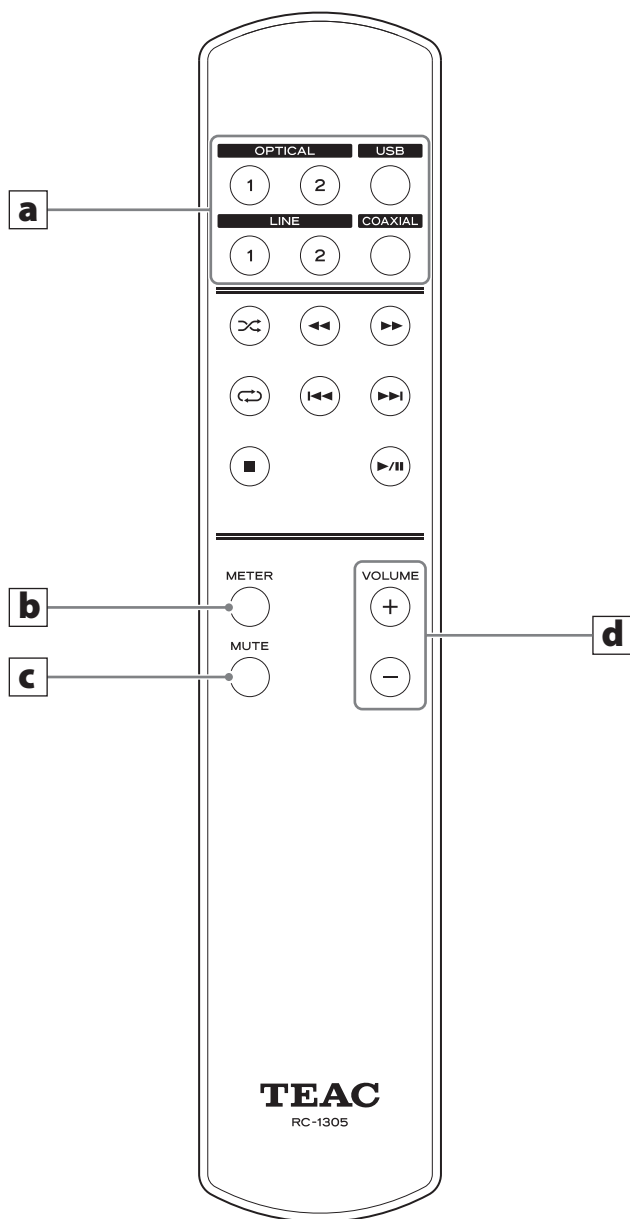
Muestran los niveles de salida.

F Mando VOLUME

Úselo para ajustar el volumen. Gírelo a la derecha (en la dirección de las agujas del reloj) para aumentarlo y hacia la izquierda (en la dirección contraria a las agujas del reloj) para disminuirlo.

El volumen máximo es 0 y el volumen mínimo es $-\infty$ (menos infinito). Antes de encender (ON) la unidad, sitúe el mando VOLUME en $-\infty$. Si no lo hace, podría causar ruido repentino a alto volumen capaz de originar daños a los altavoces y a sus oídos.

Nombres y funciones de las partes (mando a distancia)



a Botones de selección de entrada

Utilícelos para seleccionar la fuente de entrada.

b Botón de ajuste de la iluminación de los medidores de nivel METER

Pulse este botón para recorrer cíclicamente los ajustes de iluminación disponibles para los medidores de nivel, que son: brillo, medio, atenuado y apagado, en este orden.

c Botón MUTE

Púlselo para silenciar la salida de sonido temporalmente. Vuelva a pulsarlo otra vez para restablecer la salida de sonido a su nivel anterior.

d Botones VOLUME (+, -)

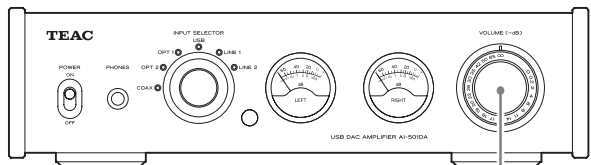
Utilícelos para ajustar el volumen.

- El mando a distancia RC-1305 suministrado con el AD-501DA puede controlar tanto al AI-501DA como al PD-501HR. Este manual explica cómo usarlo con el AI-501DA.
- Cuando tanto la unidad principal como el mando a distancia tengan botones con las mismas funciones, este manual explica cómo usar cualquiera de ellos. Los botones que se correspondan pueden ser utilizados de la misma manera.

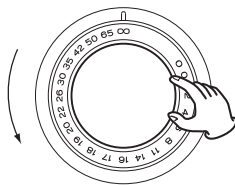
Funcionamiento básico

1 Ponga el volumen al mínimo.

Utilice el mando VOLUME o los botones VOLUME del mando a distancia para poner el volumen al mínimo.



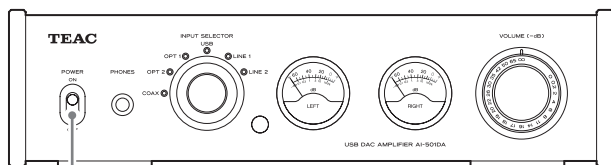
VOLUME (–dB)



–∞ dB: volumen mínimo

0 dB: volumen máximo

2 Ponga el interruptor POWER en ON (encendido).



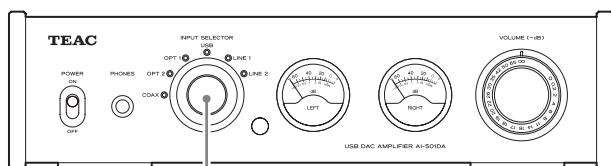
POWER

ON



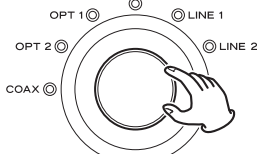
OFF

3 Gire el mando INPUT SELECTOR para seleccionar la fuente de entrada.



INPUT SELECTOR

USB



Se iluminará el indicador de la fuente seleccionada.

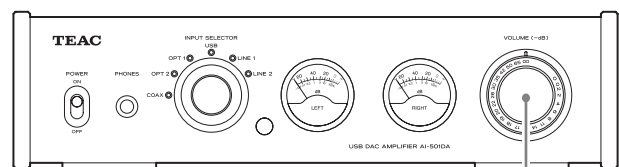
- Si las señales de audio digital introducidas a través de las entradas OPT1, OPT2 o COAX están en otro formato que no sea PCM (por ejemplo, Dolby Digital, DTS, ACC), el indicador de entrada parpadeará intermitentemente. Puesto que esta unidad solo soporta la entrada de señales en formato PCM, confirme que la salida digital del equipo conectado es en formato PCM. Algunos dispositivos convierten las señales a formato PCM antes de la salida. Consulte los manuales de los dispositivos conectados.

- Antes de conectar un ordenador y seleccionar USB, instale el "driver" controlador específico en el ordenador (ver pág. 46). No es posible la reproducción desde un ordenador que no tenga instalado este software controlador.

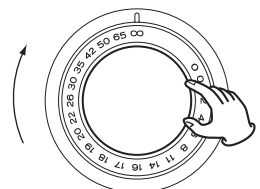
4 Ponga en funcionamiento el dispositivo de reproducción.

Remítase al manual de instrucciones de dicho dispositivo.

5 Ajuste el volumen.



VOLUME (–dB)



–∞ dB: volumen mínimo

0 dB: volumen máximo

Comience la reproducción en el dispositivo fuente y utilice el mando VOLUME o los botones VOLUME del mando a distancia para ajustar el volumen a su nivel óptimo.

Reproducción de música de un ordenador

Instalación del "driver" controlador en el ordenador

Para que esta unidad pueda reproducir archivos de audio almacenados en un ordenador, debe instalar primeramente un "driver" controlador en el ordenador. Por favor, descárguelo desde la siguiente dirección web.

Página de descarga del software del "driver" controlador:
http://www.teac.co.jp/audio/software_teac_e.html

La conexión USB es soportada para ordenadores que corran bajo Windows XP (32 bits), Windows Vista (32/64 bits), Windows 7 (32/64 bits), Mac OS X 10.6 (Snow Leopard) (Mac OS X 10.6.4 o posterior), Mac OS X 10.7 (Lion) y Mac OS X 10.8 (Mountain Lion) (a partir de Octubre 2012). No está garantizada la compatibilidad con otros sistemas operativos.

PRECAUCIÓN

Instale el "driver" controlador antes de conectar la unidad con el ordenador mediante USB.

Si conecta esta unidad con un ordenador antes de instalar el "driver" controlador, no funcionará correctamente. Es más, si el ordenador corre bajo Windows XP, su funcionamiento podría ralentizarse notablemente, requiriendo ser reiniciado.

- Para más instrucciones acerca de los procedimientos de instalación del "driver" controlador, por favor consulte nuestra página de descarga.
- Dependiendo de la combinación de hardware y software, podría no darse un funcionamiento correcto incluso con los sistemas operativos antes citados.

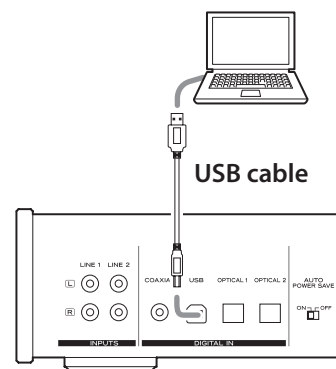
Esta unidad se conecta usando el modo asíncrono de alta velocidad. Las frecuencias de muestreo que se pueden transmitir son 32 kHz, 44.1 kHz, 48 kHz, 88.2 kHz, 96 kHz, 176.4 kHz y 192 kHz.

Una vez hecha correctamente la conexión, podrá seleccionar "TEAC USB HS ASYNC AUDIO" como salida de audio en el sistema operativo del ordenador.

- En el modo asíncrono, los datos de audio enviados desde el ordenador se procesan usando el reloj de esta unidad, permitiendo una transmisión de datos con la fluctuación reducida al mínimo.

Reproducción de archivos de audio de un ordenador

1 Conecte el ordenador a la unidad usando un cable USB.

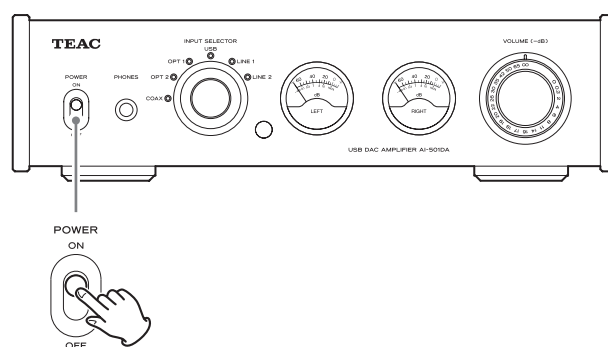


- Use un cable con un conector adecuado para el puerto USB de esta unidad.

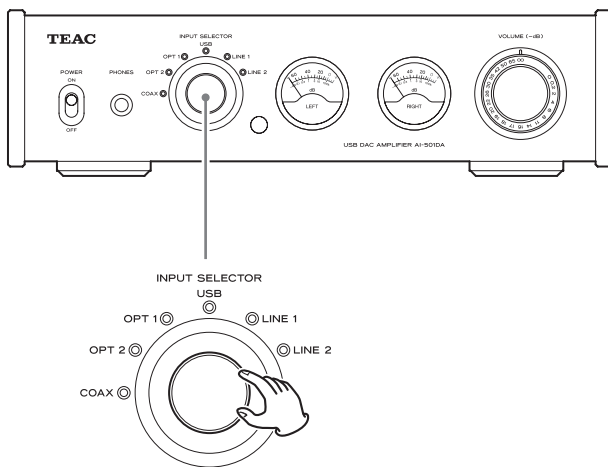
2 Encienda el ordenador.

Confirme que el sistema operativo se ha iniciado correctamente.

3 Encienda la unidad poniendo el interruptor POWER en ON.



4 Gire el mando INPUT SELECTOR para seleccionar USB.



5 Comience la reproducción de un archivo de música en el ordenador.

Suba al máximo el volumen del ordenador y utilice el mando VOLUME de esta unidad para ajustar el nivel de salida, ya que así obtendrá la mejor calidad de sonido.

Baje al mínimo el volumen de esta unidad antes de comenzar la reproducción y vaya subiendo el volumen gradualmente.

- No es posible controlar esta unidad desde el ordenador ni controlar el ordenador desde esta unidad.
- No lleve a cabo ninguna de las siguientes acciones cuando se esté reproduciendo un archivo de audio mediante la conexión USB. Si lo hace podría causar anomalías de funcionamiento en el ordenador. Salga del software de reproducción de música siempre que vaya a llevar a cabo cualquiera de las siguientes acciones:
 - Desconectar el cable USB
 - Apagar (OFF) esta unidad
 - Cambiar la fuente de entrada de esta unidad
- Si conecta esta unidad con el ordenador o cambia su entrada a USB después de haber iniciado el software de reproducción de música, los archivos de audio podrían no reproducirse correctamente. Si esto ocurre, reinicie el software de reproducción de música o reinicie el ordenador.

Solución de posibles fallos

Si se presenta un problema con esta unidad, por favor compruebe los siguientes puntos antes de solicitar asistencia técnica. Si aún así no funciona correctamente, póngase en contacto con el establecimiento donde compró la unidad o con el servicio de soporte al cliente de TEAC (consulte las contraportada donde encontrará la información de contacto).

General

La unidad no se enciende.

- ➔ Compruebe que el enchufe del cable de corriente está insertado completamente en la toma de electricidad. Si la toma de electricidad a su vez tiene un interruptor, confirme que el interruptor está en la posición de encendido.
- ➔ Conecte otro aparato eléctrico a la toma de electricidad para confirmar que tiene corriente.

El sonido no sale por los altavoces.

- ➔ Ajuste el mando VOLUME. Gírelo hacia la derecha (en la dirección de las agujas del reloj) para subir el volumen (página 43).
- ➔ Utilice el mando INPUT SELECTOR para seleccionar la entrada que está conectada a la fuente que desee escuchar (página 45).
- ➔ Revise las conexiones con el resto de componentes del equipo.

El mando a distancia no funciona.

- ➔ Si las pilas están gastadas, cámbielas por otras nuevas.
- ➔ El mando a distancia no funcionará si hay algún obstáculo entre el mando y la unidad principal. Apunte con el mando hacia la unidad principal y utilícelo a una distancia máxima de 5 metros del panel frontal.

Hay un ruido o zumbido.

- ➔ Si algún cable de conexión está cerca de un cable de corriente, de un fluorescente o de otra causa similar de interferencias, aumente la distancia entre ellos todo lo que sea posible.

No hay sonido en un lado de los auriculares.

- ➔ Confirme que el conector de los auriculares está bien insertado en su totalidad.

Se ha parado de repente la salida de sonido.

- ➔ El calor podría haber causado que se active el circuito de protección. Ponga el interruptor POWER en OFF (apagado) una vez y espere varios minutos antes de reiniciar la unidad.

Las luces de los medidores de nivel están parpadeando y no sale ningún sonido.

- ➔ Los cables de altavoz + y – podrían haberse cortocircuitado. Apague la unidad y compruebe las conexiones de los altavoces.

El ahorro de energía automático ha causado que la unidad entre en reposo.

- ➔ Ponga el interruptor POWER en OFF (apagado) una vez y después vuelva a encender (ON) la unidad.

Conexiones con un ordenador

El ordenador no reconoce esta unidad.

- ➔ La conexión USB solamente es posible con ordenadores que corran bajo los siguientes sistemas operativos:

Microsoft Windows

Windows XP (32 bits), Windows Vista (32/64 bits),
Windows 7 (32/64 bits)

Apple Macintosh

Mac OS X 10.6 (Snow Leopard)

(Mac OS X 10.6.4 o posterior)

Mac OS X 10.7 (Lion)

Mac OS X 10.8 (Mountain Lion)

(a partir de Octubre 2012)

El funcionamiento con otros sistemas operativos no está garantizado.

- ➔ Tiene que instalar el "driver" controlador en el ordenador (página 46).

Hay ruido.

- ➔ Si hay otras aplicaciones corriendo mientras se está reproduciendo un archivo de música, el sonido podría interrumpirse y podría escucharse ruido. Evite que otras aplicaciones estén funcionando durante la reproducción.
- ➔ Si conecta esta unidad con el ordenador mediante un "hub" (distribuidor) USB, puede producirse ruido. Si se da el caso, conecte la unidad directamente al ordenador.

No se pueden reproducir los archivos de música.

- ➔ Lance el software de reproducción de música y comience la reproducción después de haber conectado esta unidad al ordenador y haber puesto la entrada en USB.
Si conecta esta unidad y el ordenador o selecciona USB como entrada después de haber lanzado el software de reproducción de música, los datos de audio podrían no reproducirse correctamente.

- ➔ Tiene que instalar el "driver" controlador en el ordenador (página 46).

Puesto que esta unidad utiliza un micro ordenador, podría no funcionar correctamente algunas veces a causa del ruido y de otras interferencias externas a la unidad. Si se da el caso, desenchufe el cable de corriente de la toma de electricidad y espere un rato antes de volver a conectarlo y encender la unidad.

ES

Especificaciones

Amplificador

Salida máxima	90 W + 90 W (4 Ω, 20 Hz – 20 kHz, JEITA) 45 W + 45 W (8 Ω, 20 Hz – 20 kHz, JEITA)
Salida nominal	60 W + 60 W (4 Ω, 20 Hz – 20 kHz, JEITA) 30 W + 30 W (8 Ω, 20 Hz – 20 kHz, JEITA)
Rango de impedancia de altavoces compatible	4 Ω – 8 Ω
Distorsión armónica total	0.05% (1 kHz, 4 Ω, 55 W)
Relación señal/ruido (corto en entrada)	
LINE IN	100 dB (IHF-A)
Rango de frecuencias	10 Hz – 60 kHz (–3 dB)

Salida de auriculares

Terminal	jack estándar estéreo de 6.3 mm
Nivel de salida máximo	50 mW + 50 mW o superior (32 Ω, THD+N 0.1%)

Entradas de audio digital

Digital COAXIAL	conector RCA × 1 (0.5Vp-p/75Ω)
Digital OPTICAL	conectores digitales ópticos × 2 (de –24.0 a –14.5 dBm pico)
USB	conector Tipo B × 1 (especificaciones USB 2.0)
Frecuencia de muestreo de entrada	
Digital COAXIAL/USB	32 kHz, 44.1 kHz, 48 kHz, 88.2 kHz, 96 kHz, 176.4 kHz, 192 kHz
Digital OPTICAL	32 kHz, 44.1 kHz, 48 kHz, 88.2 kHz, 96 kHz
Velocidades de bits de cuantización	16/24 bits

Entradas de audio analógico

Terminales	conectores RCA × 2 pares
Nivel de entrada nominal	–10 dBV
Nivel de entrada máximo	+6 dBV

General

Alimentación

Modelo para Europa CA 220 – 240 V, 50 Hz

Modelo para U.S.A./Canadá CA 120 V, 60 Hz

Consumo de corriente

Modelos para Europa, USA/Canadá 50 W

Dimensiones externas 290 mm × 81.2 mm × 264 mm
(ancho × alto × profundo incluyendo salientes)

Peso 4.0 kg

Margen de temperatura de funcionamiento
de +5°C a +35°C

Margen de humedad de funcionamiento
5 – 85% (sin condensación)

Margen de temperatura de almacenamiento
de –20°C a +55°C

Accesorios incluidos

Cable de corriente × 1

Mando a distancia (RC-1305) × 1

Pilas para el mando a distancia (AAA) × 2

Manual del usuario (este documento) × 1

Tarjeta de garantía × 1

- Las especificaciones y el diseño están sujetos a cambio sin previo aviso.
- El peso y las dimensiones son aproximados.
- Las ilustraciones que aparecen en el manual del usuario pueden diferir ligeramente de los modelos de producción.

ES

TEAC

TEAC CORPORATION	1-47 Ochiai, Tama-shi, Tokyo 206-8530 Japan	Phone: (042) 356-9156
TEAC AMERICA, INC.	7733 Telegraph Road, Montebello, California 90640 U.S.A.	Phone: (323) 726-0303
TEAC MEXICO, S.A. DE C.V.	Río Churubusco 364, Colonia Del Carmen, Delegación Coyoacán, CP 04100, México DF, México	Phone: (5255) 5010-6000
TEAC EUROPE GmbH	Bahnstraße 12, D-65205 Wiesbaden-Erbenheim, Deutschland	Phone: 0611-71580

This device has a serial number located on its rear panel. Please record the serial number and retain it for your records.

Model name: AI-501DA Serial number: _____

Free Manuals Download Website

<http://myh66.com>

<http://usermanuals.us>

<http://www.somanuals.com>

<http://www.4manuals.cc>

<http://www.manual-lib.com>

<http://www.404manual.com>

<http://www.luxmanual.com>

<http://aubethermostatmanual.com>

Golf course search by state

<http://golfingnear.com>

Email search by domain

<http://emailbydomain.com>

Auto manuals search

<http://auto.somanuals.com>

TV manuals search

<http://tv.somanuals.com>