

## TEAM PRODUCTS INTERNATIONAL INC. Limited Warranty

**WHAT IS COVERED:** Any defect in materials and workmanship.

**FOR HOW LONG:** 2 years from date of purchase.

**WHAT WE WILL DO:** If your product is defective and returned within 30 days after the date it was purchased, we will replace it at no charge to you. If returned after 30 days but within 2 years of the date of purchase we will repair it or, at our option, replace it at no charge to you.

If we repair your product, we may use new or reconditioned replacement parts. If we choose to replace your product, we may replace it with a new or reconditioned one of the same or similar design. The repair or replacement will be warranted under our standard 2 year warranty.

**LIMITATIONS: IMPLIED WARRANTIES, INCLUDING THOSE OF FITNESS FOR A PARTICULAR PURPOSE AND MERCHANTABILITY (AN UNWRITTEN WARRANTY THAT THE PRODUCT IS FIT FOR ORDINARY USE), ARE LIMITED TO 2 YEARS FROM DATE OF PURCHASE. WE WILL NOT PAY FOR LOSS OF TIME, INCONVENIENCE, LOSS OF USE OF YOUR PRODUCT OR PROPERTY DAMAGE CAUSED BY YOUR PRODUCT OR ITS FAILURE TO WORK, OR ANY OTHER INCIDENTAL OR CONSEQUENTIAL DAMAGES INCLUDING PERSONAL INJURY.**

Some states do not allow limitations on how long an implied warranty lasts or the exclusion or limitation of incidental or consequential damages, so the above exclusions or limitations may not apply to you.

**WHAT WE ASK YOU TO DO:** To get warranty service for your product, you must provide proof of the date of purchase. Within 30 days of the date it was purchased, return your product to your place of purchase for immediate replacement. After 30 days, but before the end of the 2 year warranty period, you may return the product to the following address:

**Customer Service Department  
TEAM PRODUCTS INTERNATIONAL INC.  
3 Entin Road  
Parsippany, NJ 07054**

We suggest that you retain your original packing material in the event you need to ship your product. When sending your product include your name, address, phone number, proof of date of purchase, and a description of the operating problem. After repairing or replacing your product, we will ship it to your home or office within four weeks.

**WHAT THIS WARRANTY DOES NOT COVER:** AMONG OTHER THINGS THIS WARRANTY DOES NOT COVER DEFECTS RESULTING FROM ACCIDENTS, DAMAGE WHILE IN TRANSIT TO OUR SERVICE LOCATION, ALTERATIONS, UNAUTHORIZED REPAIR, FAILURE TO FOLLOW INSTRUCTIONS, MISUSE, FIRE, FLOOD, AND ACTS OF GOD. IF YOUR PRODUCT IS NOT COVERED BY OUR WARRANTY, CALL OUR CUSTOMER SERVICE NUMBER AT (888) 231-4022 TO DETERMINE WHETHER WE WILL REPAIR YOUR PRODUCT AND OTHER REPAIR INFORMATION, INCLUDING CHARGES. WE, AT OUR OPTION, MAY REPLACE RATHER THAN REPAIR YOUR PRODUCT WITH A NEW OR RECONDITIONED ONE OF THE SAME OR SIMILAR DESIGN. THE REPAIR OR REPLACEMENT WILL BE WARRANTED FOR 2 YEARS.

THIS LIMITED WARRANTY IS THE ONLY ONE WE GIVE ON YOUR PRODUCT, AND IT SETS FORTH ALL OUR RESPONSIBILITIES REGARDING YOUR PRODUCT. THERE ARE NO WARRANTIES WHICH EXTEND BEYOND THE DESCRIPTION SET FORTH ABOVE.

**STATE LAW RIGHTS:** This warranty gives you specific legal rights and you may also have other rights which may vary from state to state.



# 18V Cordless Reciprocating Saw

## Owner's Manual

**Model: PMD8141**



©2005 The Coleman Company, Inc. All rights reserved.

COLEMAN® and  are registered trademarks of The Coleman Company, Inc., used under license. Designed in the USA and custom-manufactured in China for Team Products International Inc. Distributed by Team Products International Inc., Parsippany, NJ 07054

PMD8141093005-205

Download from [www.Somanuals.com](http://www.Somanuals.com). All Manuals Search And Download.



## Welcome

This COLEMAN® product has been carefully engineered and manufactured to give you dependable operation. Please read this manual thoroughly before operating your new COLEMAN® product, as it contains the information you need to become familiar with its features and obtain the performance that will bring you continued enjoyment for many years. Please keep this manual on file for future reference.

### GENERAL OPERATING INSTRUCTIONS WHEN USING ANY BATTERY OPERATED TOOL.

**WARNING! READ AND UNDERSTAND ALL INSTRUCTIONS PRIOR TO USING ANY POWERTOOLS. FAILURE TO DO SO MAY RESULT IN ELECTRIC SHOCK, FIRE AND/OR SERIOUS PERSONAL INJURY.**

- 1. SAVE THESE INSTRUCTIONS FOR FUTURE REFERENCE.**
- 2. Keep work area clean.** Cluttered work areas and workbenches may cause injury.
- 3. Be conscious of the work area.** Do not use the power tools in damp or moist areas. Do not expose power tools to rain. Do not use these tools in the presence of flammable liquids or gases.
- 4. Keep work area well lit.**
- 5. Keep out of reach of children.**
- 6. Store idle tools.** Remove the batteries and store tools in a dry place when not in use.
- 7. Do not force tools.** Forcing the tools can cause damage to the unit or serious injury.
- 8. Use the right tool for the right job.** Use power tools for the purpose intended.
- 9. Dress properly.** Do not wear loose clothing or dangling jewelry when operating any power tool as they can be caught in moving parts. Rubber gloves and nonskid footwear are recommended when working outdoors. Keep longer hair pulled back.
- 10. Always wear protective safety glasses when operating power tools.** Wear a facemask when environment is dusty.
- 11. Secure items being worked on.** Use a vice or clamp to securely hold the item you are working on. Do not use your hands.
- 12. Never overreach.** Keep proper footing and balance at all times.
- 13. Maintain tools.** Keep tool blades sharp and keep tools clean for better and safer performance. Inspect batteries before using them with the tools. Keep hands dry and free from grease and oil when operating these power tools.
- 14. Disconnect tools.** Remove the batteries from the tools before changing bits and blades. This will prevent unintentional use.

- 15. Remove adjustment keys and wrenches.** Form a habit to make sure that the adjustment keys and wrenches are removed from the tools before turning them ON.
  - 16. Stay alert.** To avoid injury pay attention to the work you are doing when operating these power tools.
  - 17. Check damaged parts.** Before continuing to use any power tool, check for damaged parts to determine that it will operate properly and perform its intended function. Check alignment of moving parts, mounting of parts, breakage of parts and anything else that may affect its operation. A part that has been damaged or broken must be properly repaired or replaced by an authorized service technician unless otherwise indicated in this manual. Have damaged ON/OFF switches replaced by a qualified service technician. Do not use a tool that will not turn OFF or ON.
  - 18. Keep hands clear of moving parts.**
  - 19. Do not touch moving parts.** Allow the power tool accessories (bit and blades etc.) to cool before touching them. They can become extremely hot during use and can burn your skin.
  - 20. READ ALL INSTRUCTIONS BEFORE USING THESE POWERTOOLS.**
- ### SPECIFIC OPERATING INSTRUCTIONS WHEN USING THIS SAW.
- Be sure to hold this tool by the insulated gripping surfaces when using it for any operation where it is possible that the cutting tool may contact any hidden wiring or the cord of the tool. Contact with a "live" wire will make exposed metal parts of the tool "live" and may cause harm to the operator.
  - Use extra caution when cutting in hard to reach or high places. Be wary of any possible wires or falling debris that may result from your use of this tool.
  - BE CERTAIN TO KEEP HANDS AND FEET AWAY FROM CUTTING AREA.** When the saw is in use, be sure to keep hands firmly gripped on the tool. Never reach towards or below the cutting operation. Never use your legs or feet to stabilize the cutting operation.
  - The operation of this saw may result in foreign objects being thrown into your eye, which may result in severe damage. Before beginning any power tool operation, always wear safety goggles or safety glasses with side shield and a full- face shield when needed. Consider using a Wide Vision Safety Mask for use over eyeglasses or standard safety glasses with side shields. Always use eye protection that is marked to comply with ANSI Z87.1.
  - To ensure proper usage, always use a sharp blade. This will produce the best results and minimize poor performance results.
  - WARNING:** Some dust created by power sanding, sawing, grinding, drilling and other construction activities contains chemicals known to cause cancer, birth defects or other reproductive harm. Some examples of these chemicals:
    - Lead from lead-based paints,
    - Cement and other masonry products,
    - Chemically-treated lumber

Your risk from these types of exposures varies depending on how often you do this type of work and what type of work you are doing. To reduce your risks,

- Work in a well-ventilated area.
- Work with specially designed equipment and masks.

**IMPORTANT SAFETY INSTRUCTIONS FOR BATTERY CHARGER:**

1. This manual includes important safety instructions for the battery charger. Fully read all instructions and warning labels before using the battery or battery charger.
2. To reduce the risk of electric shock or injury, use ONLY the battery charger supplied with this unit to charge the battery(ies).
3. Do NOT expose the battery or battery charger to rain or moisture.
4. Use of any attachment not recommended in this manual may result in the risk of fire, electric shock or injury to a person and will void the warranty.
5. To reduce the risk of damaging the battery charger power cord, be sure to pull the plug rather than the cord when disconnecting it from the power supply. Always position the cord so it will not be stepped on or tripped over. This will prevent damage to the cord.
6. An extension cord should not be used unless absolutely necessary. Use of an improper extension cord can result in risk of fire or electric shock. If using an extension cord make sure that:
  - A) The pins on the plug of the extension cord are the same number, size and shape as those on the plug on the charger.
  - B) The extension cord is properly wired and in good working condition.
  - C) The wire size is the same or larger than the ones specified below:

**Recommended size of Extension Cord for Battery Charger**

Length of Cord (Feet)	25	50	100	150
AWG Size of Cord*	18	18	16	14

\*The smaller the AWG (American Wire Gauge) number of the extension cord, the higher the capacity of the cable for conducting current to ensure proper usage of the tool.

7. Do not operate charger with a damaged cord or plug.
8. Do not operate the charger if it has received a sharp blow, been dropped or damaged in any other way.
9. Do not open the saw, battery or battery charger. There are no user serviceable parts. Opening the unit will void the warranty.

10. Unplug the charger from its power source when not in use.
11. Do not touch the terminals inside the battery charger with any other metal object such as nails or coins. This can short the charger.
12. Do not store the unit in areas where the temperature can exceed 120°F.
13. Do not throw the battery or battery charger in fire. This can cause an explosion.
14. **WARNING:** Batteries vent hydrogen gas and may explode in the presence of a source of ignition, such as a pilot light. To reduce the risk of serious personal injury, never use any cordless product in the presence of an open flame. An exploded battery can propel debris and chemicals. If exposed, flush with water immediately for a minimum of 10 minutes and seek medical attention.
15. During extreme conditions, the battery may leak. This does not indicate a battery failure. However, if the liquid gets on your skin, immediately wash with soap and water, neutralize the area with a mild acid such as lemon juice or vinegar. If the liquid gets into your eyes, flush them with clean water immediately for a minimum of 10 minutes and seek medical attention.

**Controls and Components:**

**Battery and AC Charger**

1. Battery with Release Buttons On Each Side
2. 120V AC Adaptor
3. Charging Stand with LED Charging Indicators



**Reciprocating Saw:**

- 4. Base (Shoe)
- 5. Saw Blades (2)
- 6. Trigger Switch
- 7. Lock-Off Button
- 8. Comfort Rubber Grip
- 9. Allen Wrench



**INSTRUCTIONS FOR USE: Charging The Battery**

**THE BATTERY(IES) MAY NOT BE FULLY CHARGED FROM THE FACTORY. READ ALL INSTRUCTIONS THOROUGHLY PRIOR TO FIRST USE.**

The Saws covered by this manual use the same battery and battery charger.  
 Your Saw comes complete with a rechargeable battery, we recommend that you fully charge before the first use.  
 Your Saw must be charged for 3-8 hours prior to first use. After initial charge, allow approximately 3-8 hours to recharge your battery.  
 Your battery should be recharged when the saw does not operate up to its normal performance level. Do not continue to operate the saw in this depleted capacity. Recharge the battery immediately.

To increase the life of your battery, do not leave the battery charging for more than 8 hours. While this is not a safety concern, overcharging may reduce the life of the battery(ies).

Overtime, if the saw is not used, the battery will lose capacity. For maximum performance, recharge the battery after prolonged storage or non-use periods.

**NOTE:** Before inserting or removing the battery from the charging base, always ensure that the base is not plugged into a 120V power source.

- 1) To begin charging, remove the battery pack from the tool by pressing on the battery release buttons on either side of the battery pack and pulling down.
- 2) Plug the battery pack into the battery charger making sure the positive (+) and negative (-) poles of the battery match the positive (+) and negative (-) poles of the battery charger.

**NOTE:** The battery will only fit into the battery charger and the tool one way.

- 3) Plug one end of the 120 Volt AC Adaptor into the battery charger and the other end into any standard 120 Volt wall outlet. The RED LED indicator on the battery charger will illuminate to indicate that the battery is charging.

**NOTE:** While the battery is placed in the charger, the RED LED indicator light will remain on.

If charging more than one battery, wait at least 15 minutes between each charge.

Use only the battery charger that is supplied with this tool. Using another charger may cause damage to the battery.

**WARNING:** Never charge a battery pack again immediately after it has been fully charged. This can give rise to the battery pack being overcharged and a reduced battery life.

Length of service of your battery will depend on the type of work you are doing.

The batteries in this tool have been designed to provide maximum, trouble-free life. However, like all batteries, it will eventually wear out. Do not disassemble battery pack and attempt to replace the batteries.

**To make your batteries last as long as possible, we suggest the following:**

1. Store and charge your batteries in a cool area. Temperatures above or below normal room temperatures will shorten battery life.
2. Never store batteries in a discharged condition. Recharge them immediately after they are discharged.
3. All batteries gradually lose their charge. The higher the temperature the quicker they lose their charge. If you store your tool for long periods of time without using it, recharge the batteries every month or two. Getting into this habit will prolong battery life.

**ABOUT YOUR SAW**

**THE FEATURES OF THIS SAW:**

Before attempting to use your reciprocating saw, familiarize yourself with all of its operating features and safety requirements.

**WARNING:** Carefully read through this entire owner's manual before using your new reciprocating saw. Pay close attention to all of the Safety Rules, Warnings and Cautions as laid out above. If you use you're reciprocating saw properly and only for what it is intended, you will enjoy years of safe, reliable service.



**Allen Wrench:** (1) Allen Wrench (5mm hex key) is stored in your saw. This is needed to insert and/or change your saw blade.

**Lock-Off Button:** Your saw is equipped with a "lock off" button to help to eliminate the possibility of accidental starting. The Lock-Off button is located on the handle above the trigger switch. You must depress the lock-off button in order to activate the trigger switch. The lock resets each time the trigger switch is released.

**NOTE:** You can depress the lock-off button from either the left or right side.

**Trigger Switch:** To turn your saw ON, depress the lock-off button and press the trigger switch. Release the trigger switch to turn your saw OFF.

**Variable Speed:** Your saw has a variable speed switch that delivers higher speed with increased trigger pressure. Speed is controlled by the amount of trigger switch depression.

Types of Application that are right for this saw:

- Cutting all types of wood
- Cutting masonite and plastic
- Cutting drywall
- Cutting metals such as sheet steel, pipe, steel rods, aluminum, brass and copper.

**Blade Selection:** To obtain the best performance from your saw it is important to select a specific blade for the particular application and type of material you wish to cut. By doing this you will get a smoother faster cut and prolong blade life. Replacement blades for this saw are available at your nearest dealer or by contacting us at the number below.

**THE ASSEMBLY OF THIS SAW:**

**WARNING:** Always remove the battery pack from your saw when you are assembling parts, making adjustments, assembling or removing blades, cleaning or when not in use. Removing the battery pack will prevent accidental starting that could cause serious personal injury.

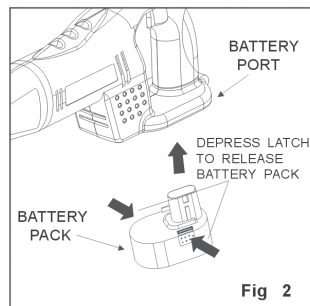
To remove/attach Battery Pack (Figure 2):

**To Remove:**

1. Locate latches on side of the battery pack and depress both sides to release battery pack from your saw.
2. Remove the battery pack from your saw.

**To Attach:**

1. Place the battery pack in your saw by aligning the raised ribs on the battery pack with the groove in the saw's battery port.
2. Make sure that the latches on each side of the battery pack snap into place and the battery pack is secured to the saw before beginning operation.



**To install the saw blade (Figure 3 &4):**

1. FIRST REMOVE battery pack.

**WARNING:** Failure to remove battery pack from the saw could result in accidental starting causing possible serious personal injury.

2. Loosen the blade clamp screw enough to permit the saw blade to be inserted between blade clamp and the saw bar using the Allen Wrench.

**NOTE:** It is never necessary to completely remove the blade clamp screw from the blade clamp when installing or removing the blade.

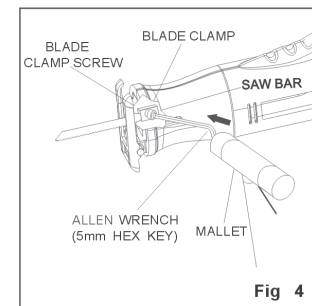
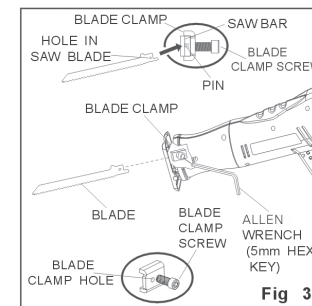
3. Align the hole in the shank of the blade and the blade clamp with the pin in the saw bar, firmly press the pin against the saw bar.

4. Tighten the blade clamp screw securely.

5. Remove the Allen Wrench and store it in the body of the saw.

6. Replace the battery pack.

**Note:** There may be times when the blade clamp sticks to the saw bar and will not loosen enough to allow blades to be installed or removed. If this happens, loosen the blade clamp screw with the Allen Wrench, then tap lightly on the end of the Allen Wrench with a mallet.

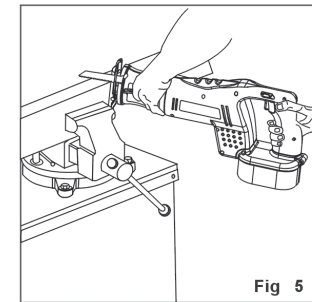


**THE OPERATION OF THIS SAW:**

**WARNING:** Always wear eye protection while operating this tool.

**GENERAL CUTTING (Figure 5)**

Hold your saw firmly in front of and clearly away from you. Make sure the saw blade is clear of any foreign material. Do not use your hands or feet anywhere near the object to be cut. Be sure material to be cut is held firmly. Small work pieces should be securely clamped in a vise or with clamps to the workbench or table. Make the line of cut clearly. Depress the lock-off button, then pull the trigger switch to start the cutting action. Place the base assembly against the object you are cutting. Then move the blade into the object you are cutting. Do not force. Use only enough pressure to keep the saw cutting. Let the blade and saw do the work. Use of excessive pressure that causes bending or twisting of the blade may result in broken blades.

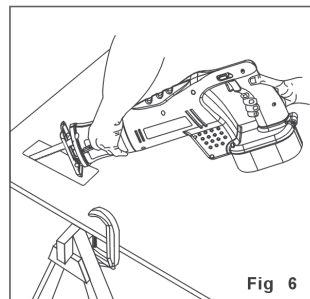


**PLUNGE CUTTING (Figure 6)**

Mark the line of the cut clearly. Choose a convenient starting point inside the area to be cut out and place the tip of the blade over that point. Rest the front edge of the base (shoe) on the work area and hold firmly in position. Depress the lock-off button, then pull trigger switch to start the cutting action.

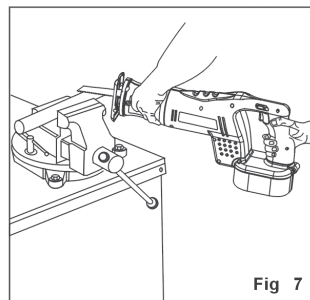
**WARNING:** Make sure the blade does not touch work until motor reaches full speed, since this could cause loss of control resulting in serious injury.

With the saw blade at full cutting speed, slowly tilt saw downward until the tip of the blade starts cutting work. After blade penetrates work, tilt saw until blade is perpendicular to the work.


**METAL CUTTING (Figure 7)**

Metals such as sheet steel, pipe, steel rods, aluminum, brass and copper may be cut with your saw. Be careful not to twist or bend the saw blade. Do not force. We recommend cutting oil when cutting most soft metals and steel. Cutting oil will also keep blades cool, increase cutting action and prolong blade life.

Never use gasoline since normal sparking of motor could ignite fumes. Clamp the work firmly and cut close to the clamping point to eliminate any vibration of the object being cut. When cutting conduit pipe or angle iron, clamp work in a vise if possible and cut close to the vise. To cut thin sheet material, "sandwich" the material between hardboard or plywood and clamp the layers to eliminate vibration and material tearing.


**MAINTENANCE OF THE SAW:**

**WARNING:** Always remove the battery pack from your saw when you are assembling parts, making adjustments, assembling or removing blades, cleaning or when not in use. Removing the battery pack will prevent accidental starting that could cause serious personal injury.

**WARNING:** Do not at any time let brake fluids, gasoline, petroleum-based products, penetrating oils, etc., come in to contact with plastic parts. They contain chemicals that may damage, weaken or destroy the plastic.

Use only clean cloths to remove dirt, carbon dust, etc. Chemical solvents can damage the plastic.

**TROUBLESHOOTING TIPS:**
**SAW DOES NOT WORK?**

- Recharge the battery

**CHARGING INDICATOR LED NOT ILLUMINATED DURING RECHARGING?**

- Check that battery pack is properly connected to the battery recharger
- Check that the AC Adaptor is properly connected at both ends

**SPECIFICATIONS**

Voltage	18V
Length of Stroke	7/8" (22mm)
Switch	Variable Speed with Brake
Charger Input	120V AC 60Hz
Charging Time	Approx. 3-8 Hours
Battery Type	Ni-Cad

**QUESTIONS?**

If you have any questions about this product, please contact our Customer Service Department at (888) 231-4022, 9 am to 5 pm EST, Monday through Friday or visit our website at: [www.colemanpower.com](http://www.colemanpower.com).

## Free Manuals Download Website

<http://myh66.com>

<http://usermanuals.us>

<http://www.somanuals.com>

<http://www.4manuals.cc>

<http://www.manual-lib.com>

<http://www.404manual.com>

<http://www.luxmanual.com>

<http://aubethermostatmanual.com>

Golf course search by state

<http://golfingnear.com>

Email search by domain

<http://emailbydomain.com>

Auto manuals search

<http://auto.somanuals.com>

TV manuals search

<http://tv.somanuals.com>