

TEAM PRODUCTS INTERNATIONAL INC. Limited Warranty

WHAT IS COVERED: Any defect in materials and workmanship.

FOR HOW LONG: 2 years from date of purchase.

WHAT WE WILL DO: If your product is defective and returned within 30 days after the date it was purchased, we will replace it at no charge to you. If returned after 30 days but within 2 years of the date of purchase we will repair it or, at our option, replace it at no charge to you.

If we repair your product, we may use new or reconditioned replacement parts. If we choose to replace your product, we may replace it with a new or reconditioned one of the same or similar design. The repair or replacement will be warranted under our standard 2 year warranty.

LIMITATIONS: IMPLIED WARRANTIES, INCLUDING THOSE OF FITNESS FOR A PARTICULAR PURPOSE AND MERCHANTABILITY (AN UNWRITTEN WARRANTY THAT THE PRODUCT IS FIT FOR ORDINARY USE), ARE LIMITED TO 2 YEARS FROM DATE OF PURCHASE. WE WILL NOT PAY FOR LOSS OF TIME, INCONVENIENCE, LOSS OF USE OF YOUR PRODUCT OR PROPERTY DAMAGE CAUSED BY YOUR PRODUCT OR ITS FAILURE TO WORK, OR ANY OTHER INCIDENTAL OR CONSEQUENTIAL DAMAGES INCLUDING PERSONAL INJURY.

Some states do not allow limitations on how long an implied warranty lasts or the exclusion or limitation of incidental or consequential damages, so the above exclusions or limitations may not apply to you.

WHAT WE ASK YOU TO DO: To get warranty service for your product, you must provide proof of the date of purchase. Within 30 days of the date it was purchased, return your product to your place of purchase for immediate replacement. After 30 days, but before the end of the 2 year warranty period, you may return the product to the following address:

**TEAM PRODUCTS INTERNATIONAL INC.
Attn: Customer Service Returns
35 A Continental Drive
Wayne, NJ 07470**

We suggest that you retain your original packing material in the event you need to ship your product. When sending your product include your name, address, phone number, proof of date of purchase, and a description of the operating problem. After repairing or replacing your product, we will ship it to your home or office within four weeks.

WHAT THIS WARRANTY DOES NOT COVER: AMONG OTHER THINGS THIS WARRANTY DOES NOT COVER DEFECTS RESULTING FROM ACCIDENTS, DAMAGE WHILE IN TRANSIT TO OUR SERVICE LOCATION, ALTERATIONS, UNAUTHORIZED REPAIR, FAILURE TO FOLLOW INSTRUCTIONS, MISUSE, FIRE, FLOOD, AND ACTS OF GOD. IF YOUR PRODUCT IS NOT COVERED BY OUR WARRANTY, CALL OUR CUSTOMER SERVICE NUMBER AT (888) 231-4022 TO DETERMINE WHETHER WE WILL REPAIR YOUR PRODUCT AND OTHER REPAIR INFORMATION, INCLUDING CHARGES. WE, AT OUR OPTION, MAY REPLACE RATHER THAN REPAIR YOUR PRODUCT WITH A NEW OR RECONDITIONED ONE OF THE SAME OR SIMILAR DESIGN. THE REPAIR OR REPLACEMENT WILL BE WARRANTED FOR 2 YEARS.

THIS LIMITED WARRANTY IS THE ONLY ONE WE GIVE ON YOUR PRODUCT, AND IT SETS FORTH ALL OUR RESPONSIBILITIES REGARDING YOUR PRODUCT. THERE ARE NO WARRANTIES WHICH EXTEND BEYOND THE DESCRIPTION SET FORTH ABOVE.

STATE LAW RIGHTS: This warranty gives you specific legal rights and you may also have other rights which may vary from state to state.



18V Cordless Drill

Owner's Manual PMD8129 Models



©2006 The Coleman Company, Inc. All rights reserved.

COLEMAN® and Coleman® are registered trademarks of The Coleman Company, Inc., used under license. Designed in the USA and custom-manufactured in China for Team Products International Inc. Distributed by Team Products International Inc., Mountain Lakes, NJ 07046.

PMD8129033106-166

Download from www.Somanuals.com. All Manuals Search And Download.





Welcome

This COLEMAN® product has been carefully engineered and manufactured to give you dependable operation. Please read this manual thoroughly before operating your new COLEMAN® product, as it contains the information you need to become familiar with its features and obtain the performance that will bring you continued enjoyment for many years. Please keep this manual on file for future reference.

GENERAL SAFETY RULES - FOR ALL BATTERY OPERATED TOOLS

WARNING! READ AND UNDERSTAND ALL INSTRUCTIONS.

Failure to follow all instructions listed below, may result in electric shock, fire and/or serious personal injury.

SAVETHESE INSTRUCTIONS.

Work Area

1. **Keep your work area clean and well lit.** Cluttered benches and dark areas invite accidents.
2. **Do not operate power tools in explosive atmospheres, such as in the presence of flammable liquids, gases, or dust.** Power tools create sparks which may ignite the dust or fumes.
3. **Keep bystanders, children, and visitors away while operating a power tool.** Distractions can cause you to lose control.

Electrical Safety

1. **Do not abuse the cord. Never use the cord to carry the tool. Keep cord away from heat, oil, sharp edges, or moving parts. Replace damaged cords immediately.** Damaged cords may create a fire.

Applies only to tools with a separable battery pack.

2. **A battery operated tool with integral batteries or a separate battery pack must be recharged only with the specified charger for the battery.** A charger that may be suitable for one type of battery may create a risk of fire when used with another battery.
3. **Use battery operated tool only with specifically designated battery pack.** Use of any other batteries may create a risk of fire.

Personal Safety

1. **Stay alert, watch what you are doing, and use common sense when operating a power tool. Do not use tool while tired or under the influence of drugs, alcohol, or medication.** A moment of inattention while operating power tools may result in serious personal injury.
2. **Dress properly. Do not wear loose clothing or jewelry. Contain long hair. Keep your hair, clothing, and gloves away from moving parts.** Loose clothes, jewelry, or long hair can be caught in moving parts.
3. **Avoid accidental starting. Be sure switch is in the locked or off position before inserting battery pack.** Carrying tools with your finger on the switch or inserting the battery pack into a tool with the switch on invites accidents.
4. **Remove adjusting keys or wrenches before turning the tool on.** A wrench or a key that is left attached to a rotating part of the tool may result in personal injury.
5. **Do not overreach. Keep proper footing and balance at all times.** Proper footing and balance enable better control of the tool in unexpected situations.
6. **Use safety equipment. Always wear eye protection.** Dust mask, non-skid safety shoes, hard hat, or hearing protection must be used for appropriate conditions.

Tool Use and Care

1. **Use clamps or other practical way to secure and support the work piece to a stable platform.** Holding the work by hand or against your body is unstable and may lead to loss of control.
2. **Do not force tool. Use the correct tool for your application.** The correct tool will do the job better and safer at the rate for which it is designed.
3. **Do not use tool if switch does not turn it on or off.** A tool that cannot be controlled with the switch is dangerous and must be repaired.
4. **Disconnect battery pack from tool or place the switch in the locked or off position before making any adjustments, changing accessories, or storing the tool.** Such preventive safety measures reduce the risk of starting the tool accidentally.
5. **Store idle tools out of reach of children and other untrained persons.** Tools are dangerous in the hands of untrained users.
6. **When battery pack is not in use, keep it away from other metal objects like: paper clips, coins, keys, nails, screws, or other small metal objects that can make a connection from one terminal to another.** Shorting the battery terminals together may cause sparks, burns, or a fire.

7. **Maintain tools with care. Keep cutting tools sharp and clean.**
Properly maintained tools with sharp cutting edge are less likely to bind and are easier to control.
8. **Check for misalignment or binding of moving parts, breakage of parts, and any other condition that may affect the tool's operation. If damaged, have the tool serviced before using.** Many accidents are caused by poorly maintained tools.
9. **Use only accessories that are recommended by the manufacturer for your model.** Accessories that may be suitable for one tool may create a risk of injury when used on another tool.

Service

1. **Tool service must be performed only by qualified repair personnel.**
Service or maintenance performed by unqualified personnel may result in a risk of injury.
2. **When servicing a tool, use only identical replacement parts. Follow instructions in the Maintenance section of this manual.** Use of unauthorized parts or failure to follow Maintenance Instructions may create a risk of shock or injury.

SPECIFIC SAFETY RULES AND/OR SYMBOLS

1. **Hold tool by insulated gripping surfaces when performing an operation where the cutting tool may contact hidden wiring.**
Contact with a "live" wire will also make exposed metal parts of the tool "live" and shock the operator.
2. **Keep hands clear of moving parts.**
3. **Do not touch moving parts.** Allow the power tool accessories (bit and blades etc.) to cool before touching them. They can become extremely hot during use and can burn your skin.
4. **WARNING:** This product contains chemicals, including lead, known to the State of California to cause cancer, and birth defects or other reproductive harm.

IMPORTANT SAFETY INSTRUCTIONS FOR BATTERY CHARGER:

1. This manual includes important safety instructions for the battery charger. Fully read all instructions and warning labels before using the battery or battery charger.
2. To reduce the risk of electric shock or injury, use ONLY the battery charger supplied with this unit to charge the battery. If you separately purchase a COLEMAN® Pro Series™ Fast Charger, it may be used to charge a separately purchased COLEMAN® Pro Series™ Fast Charge replacement battery. The Fast Charger cannot be used to charge the battery(ies) included with this drill.

3. Do NOT expose the battery or battery charger to rain or moisture.
4. Use of any attachment not recommended in this manual may result in the risk of fire, electric shock or injury to person and will void the warranty.
5. To reduce the risk of damaging the battery charger power cord, be sure to pull the plug rather than the cord when disconnecting it from the power supply. Always position the cord so it will not be stepped on or tripped over. This will prevent damage to the cord.
6. An extension cord should not be used unless absolutely necessary. Use of an improper extension cord can result in risk of fire or electric shock. If using an extension cord make sure that:
 - A) The pins on the plug of the extension cord are the same number, size and shape as those on the plug on the charger.
 - B) The extension cord is properly wired and in good working condition.
 - C) The wire size is the same or larger than the ones specified below:

Recommended size of Extension Cord for Battery Charger

Length of Cord (Feet)	25	50	100	150
AWG Size of Cord*	18	18	16	14

- *The smaller the AWG (American Wire Gauge) number of the extension cord, the higher the capacity of the cable for conducting current to ensure proper usage of the tool.
7. Do not operate charger with a damaged cord or plug.
 8. Do not operate the charger if it has received a sharp blow, been dropped or damaged in any other way.
 9. Do not open the drill, battery or battery charger. There are no user serviceable parts. Opening the unit will void the warranty.
 10. Unplug the charger from its power source when not in use.
 11. Do not touch the terminals inside the battery charger with any other metal object such as nails or coins. This can short the charger.
 12. Do not store the unit in areas where the temperature can exceed 120F(48°C).
 13. Do not throw the battery or battery charger in fire. This can cause an explosion.

14. **WARNING:** Batteries vent hydrogen gas and may explode in the presence of a source of ignition, such as a pilot light. To reduce the risk of serious personal injury, never use any cordless product in the presence of an open flame. An exploded battery can propel debris and chemicals. If exposed, flush with water immediately for a minimum of 10 minutes and seek medical attention.
15. During extreme conditions, the battery may leak. This does not indicate a battery failure. However, if the liquid gets on your skin, immediately wash with soap and water, neutralize the area with a mild acid such as lemon juice or vinegar. If the liquid gets into your eyes, flush them with clean water immediately for a minimum of 10 minutes and seek medical attention.

Symbols:

- V volts
- ≡ direct current
- n_0 no load speed
- .../min revolutions or reciprocation per minute
- Hz Frequency
- ∅ Diameter



..... Contains non-spillable nickel-cadmium battery. Battery must be recycled or disposed of properly.

FUNCTIONAL DESCRIPTION

SPECIFICATIONS for PMD8129

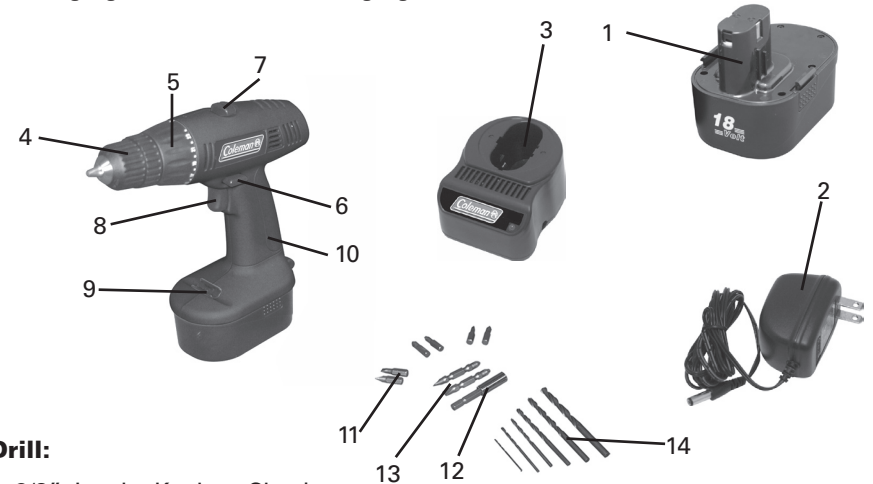
Voltage	18V DC
Speed	0-600RPM
Torque Settings	24 + Drill
Chuck Capacity	up to 3/8"
Charger Input	120V AC 60Hz
Charging Time	Approx. 3 –8 Hours
Battery Type	Ni-Cd

ASSEMBLY

Controls and Components:

Batteries and AC Charger

1. Battery with Release Buttons On Each Side (1 pc)
2. 120V AC Adaptor
3. Charging Stand with LED Charging Indicators



Drill:

4. 3/8" Jacobs Keyless Chuck
5. 24 Adjustable Torque Settings Control Ring
6. Forward/Lock/Reverse Switch
7. High/Low Speed Switch (PMD8131 and PMD8133 only)
8. Variable Speed Trigger Switch
9. Accessory/Bit Holder
10. Comfort Rubber Grip (PMD8131 and PMD8133 only)

ACCESSORIES

11. 6 Various Screwdriver Bits
12. 2" Extension Bar
13. 2 Double Ended Screwdriver Bits
14. 6 Various Drill Bits

OPERATION

INSTRUCTIONS FOR USE:

Charging The Battery

THE BATTERY(IES) MAY NOT BE FULLY CHARGED FROM THE FACTORY. READ ALL INSTRUCTIONS THOROUGHLY PRIOR TO FIRST USE.

The Drills covered by this manual use the same battery and battery charger. Your Drill comes complete with a rechargeable battery which we recommend that you fully charge before the first use.

Drill must be charged for 8 hours prior to first use. After initial charge, allow approximately 3 to 8 hours to recharge your battery.

The battery should be recharged when the drill does not operate up to its normal performance level. Do not continue to operate the drill in this depleted capacity. Recharge the battery immediately.

To increase the life of your battery, do not leave the battery charging for more than 8 hours. While this is not a safety concern, overcharging may reduce the life of the battery.

Overtime, if drill is not used, the battery will lose capacity. For maximum performance, recharge the battery after prolonged storage or non-use periods.

NOTE: Before inserting or removing the battery from the charging base, always ensure that the base is not plugged into a 120V power source.

1. To begin charging, remove the battery pack from the tool by pressing on the battery release buttons on either side of the battery pack and pulling down.
2. Plug the battery pack into the battery charger making sure the positive (+) and negative (-) poles of the battery match the positive (+) and negative (-) poles of the battery charger.

NOTE: The battery will only fit into the battery charger and the tool one way.

3. Plug one end of the 120 Volt AC Adaptor into the battery charger and the other end into any standard 120 Volt wall outlet. The RED LED indicator on the battery charger will illuminate to indicate that the battery is charging.

4. Full charging will take between 3 to 8 hours.

NOTE: While the battery is placed in the charger, the RED LED indicator light will remain on. If charging more than one battery, wait at least 15 minutes between each charge. Use only the battery charger that is supplied with this tool. Using another charger may cause damage to the battery.

WARNING: Never charge a battery pack again immediately after it has been fully charged. This can give rise to the battery pack being overcharged and a reduced battery life. DO NOT leave the battery pack in the charger for more than 8 hours.

Using The Drill

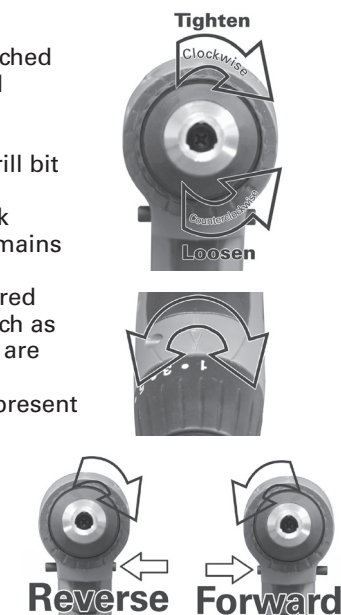
CAUTION: Always make sure that the tool is switched OFF and the battery pack is removed from the drill before changing any bits.

Loosen the keyless chuck by holding the ring and turning the sleeve counter clockwise. Select the drill bit or screwdriver you want to use and place it in the keyless chuck. Twist the sleeve of the keyless chuck clockwise to tighten it, making sure the drill bit remains in the center of the keyless chuck's teeth.

Twist the 24 setting torque control ring to the desired setting. Lower settings are better for light work such as driving screws into soft materials. Higher settings are recommended for drilling into harder surfaces.

When properly adjusted, the clutch will slip at its present torque setting to prevent driving the screw too deep or to prevent damage to the tool.

To operate the drill in forward setting, simply keep the Forward/Lock/Reverse switch flat against the side of the drill as shown. To change to reverse setting, move the Forward/Lock/Reverse switch until it is flat against the opposite side of the drill. Keeping the Forward/Lock/Reverse switch in the center position locks the drill and prevents unintentional use. It is recommended that the Drill is in the locked position when it is not in use or is being stored.



CAUTION: Always check the direction of the rotation before using the drill.

The speed of the drill is increased by the amount of pressure you place on the ON/OFF trigger switch. The less pressure you put on the trigger switch, the slower the drill will go. Your drill comes with an automatic braking function that quickly stops the chuck from turning when the trigger switch is released. Your drill has one speed (0-600 rpm).

Screwdriver Operation

Place the point of the screwdriver bit into the head of the screw and apply slight pressure to the tool. Press the trigger switch slightly and then gradually increase the drill speed. Release the trigger switch as soon as the clutch engages.

Note: Starting the drill at too high of a speed can damage the drill bit or reduce the life of the bit. Make sure that the driver bit is inserted straight in the screw head or the screw may become damaged or will not be inserted properly. When driving wood screws, pre-drill pilot holes into the surface to make driving easier. This will also prevent the wood from splitting.





Note: When drilling, the drill bit can become stuck. If this happens, a very high torque will be produced. Always take care to hold the drill firmly to prevent possible damage or injury.

TROUBLESHOOTING TIPS:

DRILL DOES NOT WORK?

- Recharge the battery

CHARGING INDICATOR LED NOT ILLUMINATED DURING RECHARGING?

- Check that battery pack is properly connected to the battery charger
- Check that the AC Adaptor is properly connected at both ends

Maintenance

Clean the Drill regularly. Before cleaning, remove the battery pack and any accessories (bits etc.). To clean, use ONLY a mild soap and damp cloth on the housing. Never immerse drill in any kind of fluid. Do not use any solvents or harsh abrasives on the drill housing as this may cause damage to the unit.

Always keep the ventilation openings clear.

NOTE: All bearings in these tools are lubricated with a sufficient amount of high-grade lubricant for the life of the unit under normal operating conditions.

No further lubrications required.

CAUTION: DO NOT keep the trigger switch pressed in with tape or any other permanent means or the circuit will not function properly. A malfunction may result, possibly causing overheating or damage to the unit.

Do not open the drill, battery or battery charger. There are no user serviceable parts. Opening the unit will void the warranty.

ACCESSORIES

Please refer to section "ASSEMBLY"

QUESTIONS?

If you have any questions about this product, please contact our Customer Service Department at (888) 231 4022, 9 am to 5 pm EST, Monday Friday or visit our website at: www.colemanpower.com.



Free Manuals Download Website

<http://myh66.com>

<http://usermanuals.us>

<http://www.somanuals.com>

<http://www.4manuals.cc>

<http://www.manual-lib.com>

<http://www.404manual.com>

<http://www.luxmanual.com>

<http://aubethermostatmanual.com>

Golf course search by state

<http://golfingnear.com>

Email search by domain

<http://emailbydomain.com>

Auto manuals search

<http://auto.somanuals.com>

TV manuals search

<http://tv.somanuals.com>