

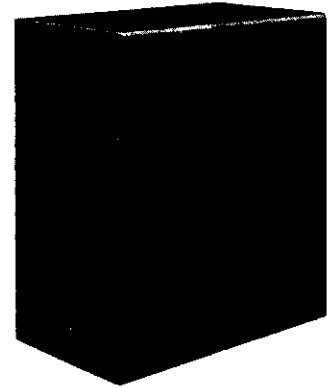
# Technics

## Satellite/Subwoofer Speaker System SB-FW50

Operating Instructions  
Instrucciones de funcionamiento  
使用説明書

SB-W32

SB-AFC32



Before operating this unit, please read these instructions completely.

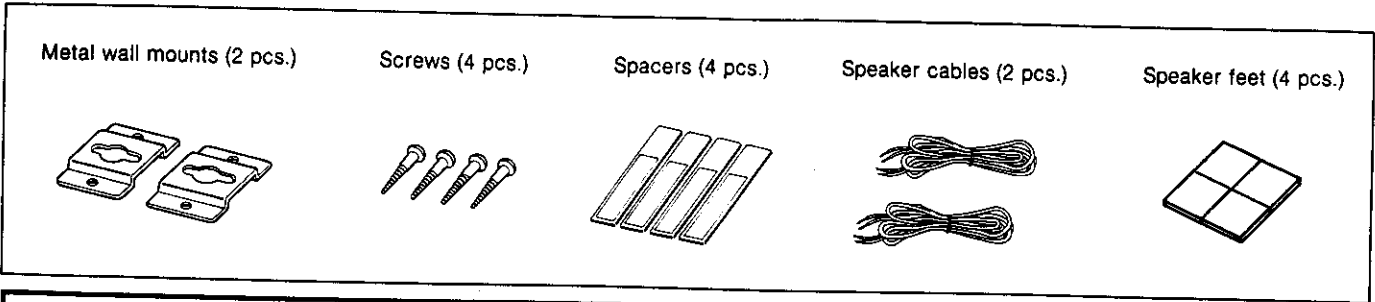


GC

SQX2M2116ZA

Thank you for purchasing this Technics product.  
For optimum performance and safety, please read these instructions carefully.

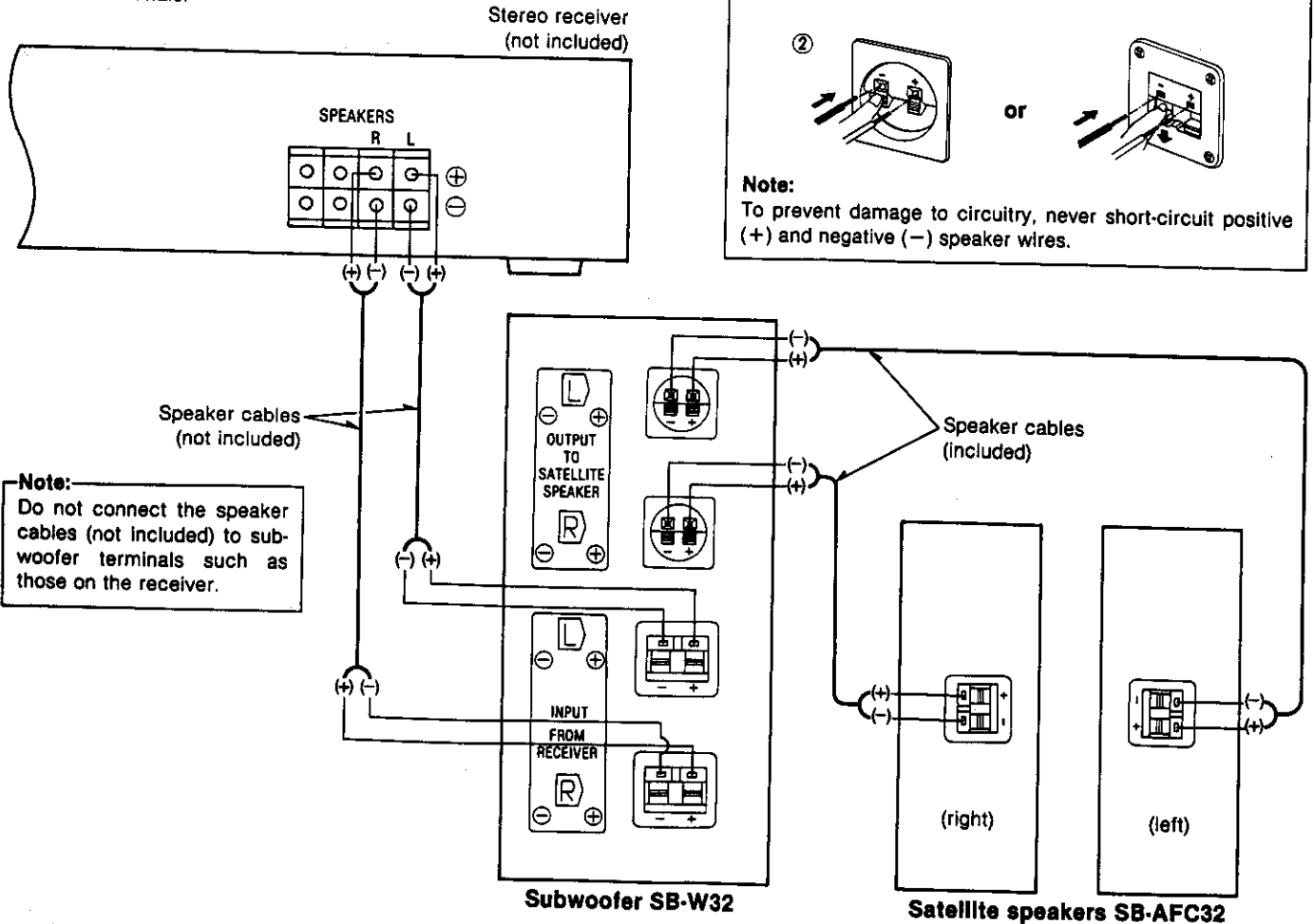
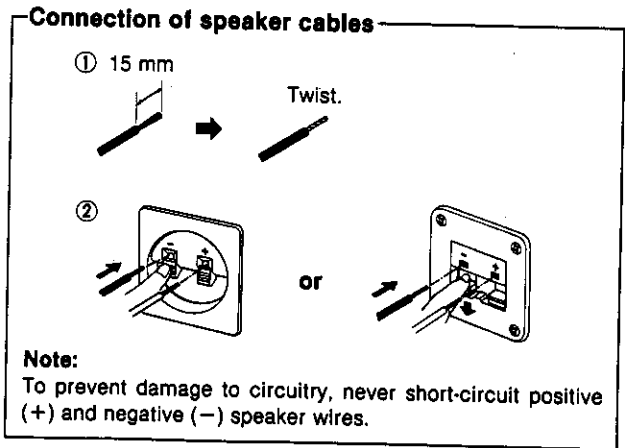
# Supplied Accessories



**When these speakers are connected to a stereo receiver (not included) in order to enjoy the Dolby Pro Logic System, be sure to set the center mode on the receiver to the "NORMAL" setting.**

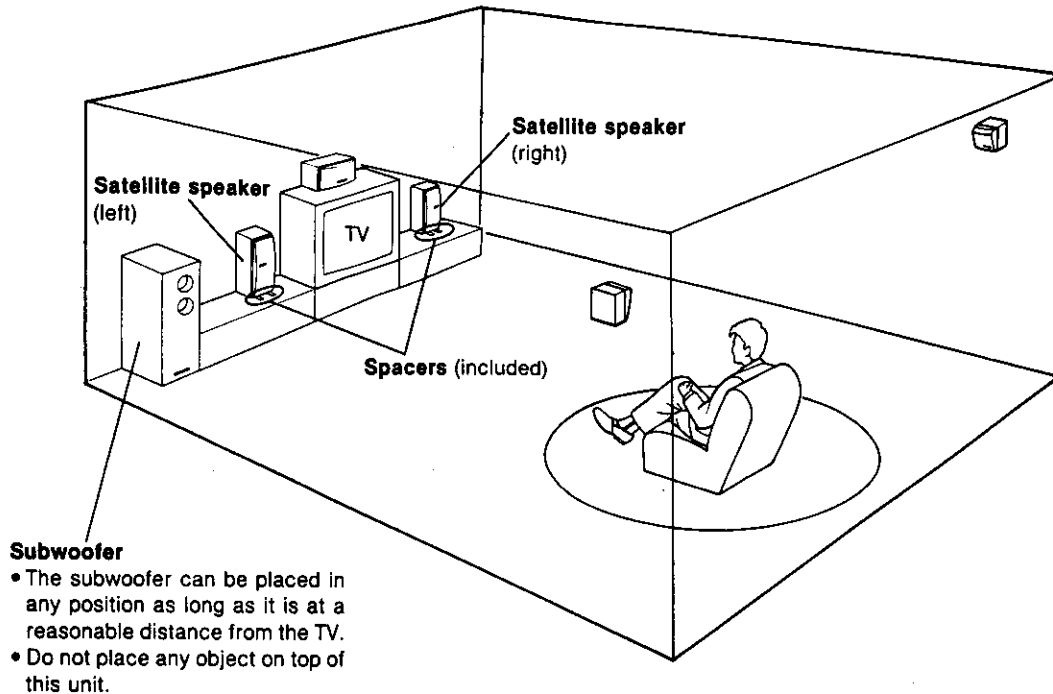
## Connections

- Notes:**
- Before making the connections, switch OFF the power to the receiver.
  - Use with a receiver having 8 Ω or below impedance speaker terminals.
  - Be sure to connect only positive (+) wires to positive (+) terminals, and negative (-) wires to negative (-) terminals.



# Positioning the Speakers

The diagram below shows the basic positioning of each speaker.



## When positioning the satellite speakers

The satellite speakers are made so as to be able to be used in close proximity to the TV, but irregular coloring may result due to how the system is placed. If such distortion occurs, turn off the TV for sometime between 15 and 30 minutes. The demagnetizing function of the TV will eliminate the distortion. If the irregular coloring is still visible, then move the speakers further away from the TV.

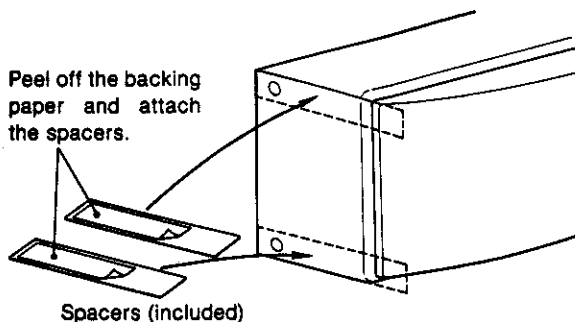
Please note that if there is a magnetic object near the TV, irregular coloring may result due to the interaction between the TV and the speaker.

## How to attach the spacers

### only for satellite speakers SB-AFC32

The methods of installation for the right and left speakers are the same.

**Note:** It is not necessary to attach the spacers when installing the speakers to a wall.



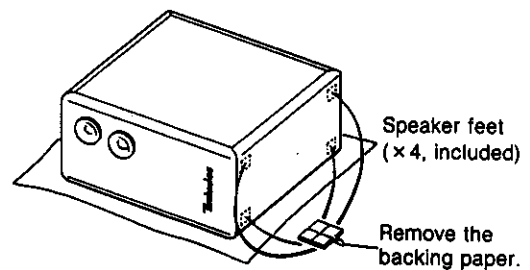
## Attaching speaker feet

### only for subwoofer SB-W32

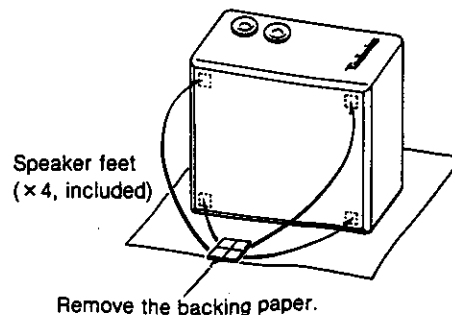
Loud volumes from the speakers may cause them to move on some floors. In such cases, attach the accessory speaker feet as shown in the illustration below.

(To prevent damage to the speakers, lay them on top of a soft cloth before attaching the speaker feet.)

### When speaker is to be placed upright



### When speaker is to be placed on its side



# Wall Installation

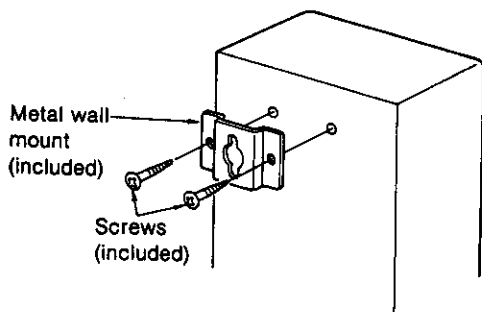
**only for satellite speakers SB-AFC32**

**Note:**

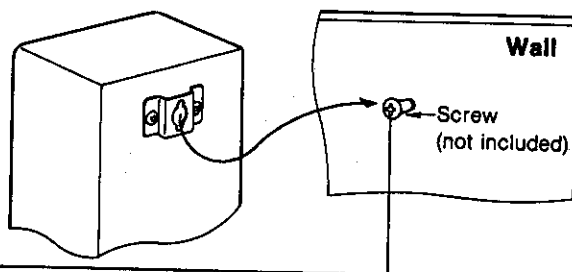
The wall is required to be strong enough to hold a weight of 15 kg.

## How to install the metal wall mounts

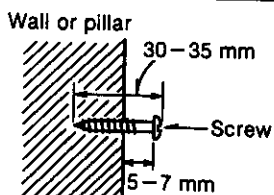
The methods of installation for the right and left speakers are the same.



## How to install the speakers on the wall



**Screw the wood screw into a thick and hard part of the wall.**  
Consult your Technics dealer for details.



# Technical Specifications

**Note:**

Specifications are subject to change without notice.  
Weight and dimensions are approximate.

## Satellite speaker SB-AFC32

<b>Type</b>	1-way 4-speaker system Closed type
<b>Speakers</b>	Full range: 8 cm cone type
<b>Impedance</b>	8 Ω
<b>Input Power</b>	260 W, Music 130 W, DIN
<b>Output Sound Pressure Level</b>	89 dB/W (1.0 m)
<b>Frequency Range</b>	118 Hz–18 kHz (–16 dB) 138 Hz–14 kHz (–10 dB)
<b>Dimensions (W × H × D)</b>	137 × 421 × 150 mm
<b>Weight</b>	3.6 kg

## Subwoofer SB-W32

<b>Type</b>	1-way 2 × 2-speaker system Kelton type
<b>Speakers</b>	Woofer: 17 cm cone type × 4
<b>Impedance</b>	8 Ω
<b>Input Power</b>	260 W, Music 130 W, DIN
<b>Output Sound Pressure Level</b>	85 dB/W (1.0 m)
<b>Frequency Range</b>	33 Hz–280 Hz (–16 dB)
<b>Dimensions (W × H × D)</b>	220 × 421 × 378 mm
<b>Weight</b>	10.7 kg

## Notes

- Be sure to reduce the volume level setting at the receiver when the signal input exceeds the rated allowable input in order to avoid damage to circuitry or other malfunctions.
- Avoid locations such as described below.
  - In direct sunlight
  - Near heating appliances or other sources of heat
  - Where the humidity is high
- Never use alcohol, paint thinner, benzine or similar chemicals to clean the unit as they may damage the finish.
- Do not touch the diaphragms, to do so may cause distortion.

## Free Manuals Download Website

<http://myh66.com>

<http://usermanuals.us>

<http://www.somanuals.com>

<http://www.4manuals.cc>

<http://www.manual-lib.com>

<http://www.404manual.com>

<http://www.luxmanual.com>

<http://aubethermostatmanual.com>

Golf course search by state

<http://golfingnear.com>

Email search by domain

<http://emailbydomain.com>

Auto manuals search

<http://auto.somanuals.com>

TV manuals search

<http://tv.somanuals.com>