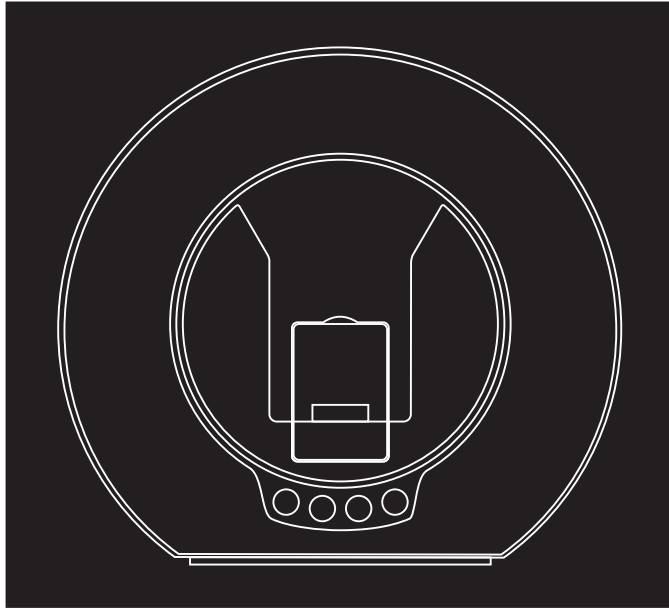


Technika

EXCLUSIVELY FROM **TESCO**



SP-429I

Owner's Handbook

Docking station for iPhone and iPod touch



IMPORTANT SAFETY INFORMATION



This symbol indicates that there are important operating and maintenance instructions in the literature accompanying this unit.



This symbol indicates that dangerous voltage constituting a risk of electric shock is present within this unit.

Read these instructions.

Keep these instructions.

Heed all warnings.

Follow all instructions.

Do not use this apparatus near water.

Clean only with a slightly damp cloth.

Do not block any ventilation openings.

Install in accordance with the manufacturer's instructions.

Do not install or operate near any heat sources such as radiators, stoves, or other apparatus that produce heat.

Unplug this apparatus during lightning storms or when unused for long periods of time.

Refer all servicing to qualified service personnel. Servicing is required when the apparatus has been damaged in any way, such as the power-supply cord or plug is damaged, liquid has been spilled or objects have fallen into the apparatus, the apparatus has been exposed to rain or moisture, does not operate normally, or has been dropped.

Warning: To reduce the risk of fire or electrical shock, do not expose this product to rain or moisture. The product must not be exposed to dripping and splashing and no object filled with liquids such as a vase of flowers should be placed on the product.

No naked flame sources such as candles should be placed on the product.

Caution: Changes or modifications not expressly approved by the manufacturer could void the user's authority to operate this device.

Caution: Usage of controls or adjustments or performance of procedures other than those specified herein may result in hazardous exposure.

IMPORTANT

This equipment generates, uses and can radiate radio frequency energy and, if not installed and used in accordance with the instructions, may cause harmful interference to radio communication. However, this is no guarantee that interference will not occur in a particular installation. If this equipment does cause harmful interference to radio or television reception, which can be determined by turning the equipment off and on, the user is encouraged to try to correct the interference by one of the following measures:

- Reorient or relocate the receiving antenna.
- Increase the separation between the equipment and receiver.
- Connect the equipment into an outlet on a circuit different from that to which the receiver is connected.
- Consult the dealer or an experienced radio/TV technician for help.

ELECTRICAL INFORMATION

Use this appliance only with the supplied AC Adaptor. Using non-approved power supplies will void the warranty.

Mains Supply: The mains operating voltage of the AC Adaptor is marked on a rating plate on the AC Adaptor.

The means of disconnecting this appliance from the mains supply is the AC adaptor. This should be unobstructed and readily operable at all times.

INDEX

INDEX

| | |
|------------------------------------|---|
| Important safety information | 1 |
| Introduction | 2 |
| Unpacking | 2 |
| Controls and connections..... | 3 |
| Backup batteries..... | 4 |
| Getting started | 4 |
| Docking an iPhone..... | 5 |
| Connecting to the Aux jack | 6 |
| Power control | 6 |
| Source selection..... | 6 |
| Adjusting the volume | 6 |
| Operating the iPhone | 6 |
| Using the rotating dock | 7 |
| Care & Maintenance..... | 8 |
| Warranty | 8 |
| Specifications | 8 |

INTRODUCTION

The SP-4291 is a stylish docking station for the iPhone and iPod touch. The centre docking section rotates, enabling a choice of portrait or 'wide-screen' landscape presentation for movies, games and photos on a docked iPhone or iPod touch.

An Aux input provides additional connectivity for other iPod models and other personal audio equipment.

PRELIMINARIES

UNPACKING

Carefully unpack the unit. If it is damaged, please return it to your nearest Tesco store for replacement. Remember to take your purchase receipt with you.

Retain the User Handbook. If you pass the unit on to a third party make sure you pass on the handbook.

We suggest you retain the packaging. If you dispose of it, do so having regard to any recycling regulations in your area.

CONTENTS

The carton should contain:

- The SP-4291 iPhone/iPod touch docking station
- AC adaptor
- Aux input cable
- Operating Manual

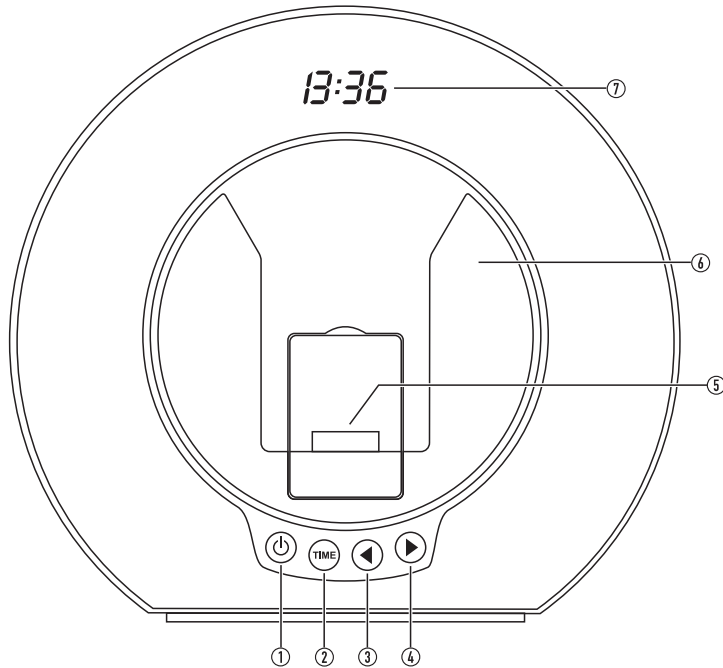
If any items are missing or damaged, contact your nearest TESCO store for a replacement. Have your receipt ready when you call. Retain the packaging. If you dispose of it, do so having regard to any recycling regulations in your area.

LOCATION

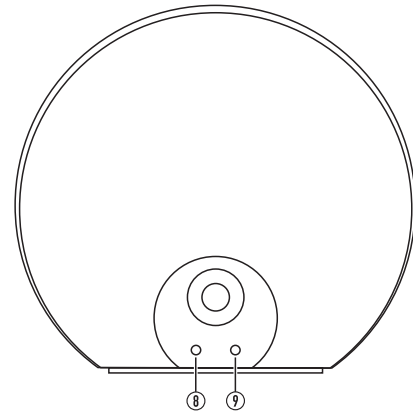
Place the unit on dry stable surface away from heat and damp and where it is unlikely to fall or be knocked over.

CONTROLS AND CONNECTIONS

FRONT VIEW



BACK VIEW

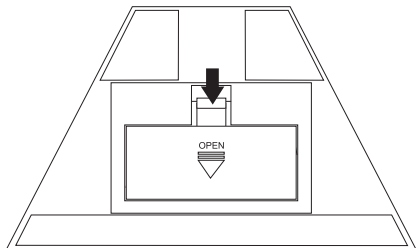


- ① Standby/Source button
- ② Time set button
- ③ Volume down button
- ④ Volume up button
- ⑤ iPhone docking connector
- ⑥ Rotating dock
- ⑦ Clock display
- ⑧ AUX in jack
- ⑨ DC-in jack

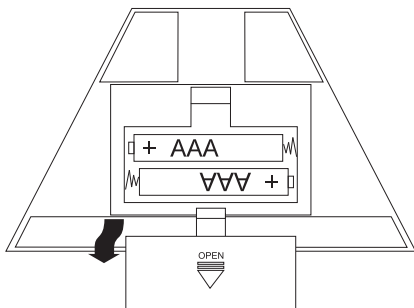
BACKUP BATTERIES

To fit backup batteries:

- Locate the backup battery compartment, underneath the base of the unit.
- Press the catch on the battery door across.



- While holding the catch, open the battery door



- Fit 2 x AAA batteries, observing polarity as shown above. When replacing the batteries, use only the same AAA type specified.
- Close the battery compartment.

The backup batteries will ensure that the clock retains the current time in the event of a power cut.

If backup batteries are not fitted, the time setting will be lost in the event of a power cut.

NOTE:- The backup batteries are only for backup purposes and will not power the unit.

DISPOSAL OF BATTERIES

Dispose of used batteries with regard to the recycling regulations in your area. Do NOT short circuit batteries or throw them into water, the general rubbish or in a fire.

Weak batteries can leak and damage the remote control. Replace them in good time!

GETTING STARTED

CONNECTING POWER

Before connecting the power, check that the mains voltage on the rating plate of the AC adaptor is the same as the voltage in your area.

- Plug the DC cord from the AC adaptor into the DC jack on the back of the unit.
- Plug the AC adaptor into the wall socket and switch the mains power on.

The unit is now ready for use.

NOTE:- The AC adaptor may become warm during operation - this is normal.

SETTING THE CLOCK

When the unit is switched on for the first time, the clock display will read 12:00.

To set the clock -

- Press the **TIME** button.
- The hours digits will flash.*
- Press the ◀ or ▶ button to set the hours digits to the correct time.
 - Press the **TIME** button when the hours setting is correct.
- The minutes digits will flash.*
- Press the ◀ or ▶ button to set the minutes to the correct time.
 - Press the **TIME** button when the minutes setting is complete.

The time is now set.

If backup batteries have been fitted, the correct time will be maintained when the AC power is disconnected.

DOCKING AN iPhone or iPod touch

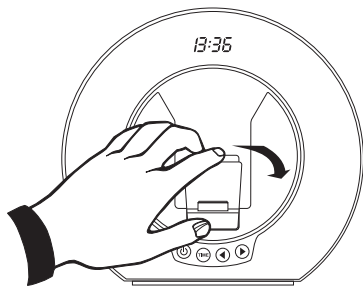
COMPATIBILITY

The dock connector on this unit is only compatible with iPhone and iPod touch models.

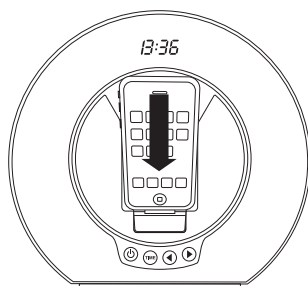
NOTE: This product is compatible with iPhone and iPod touch only. All other iPod models should be connected via the AUX cable.

Attempting to dock other iPod models may damage the dock and also the iPod.

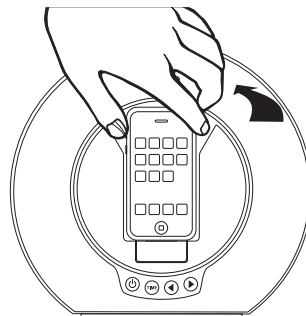
To dock an iPhone or iPod touch:



1. Gently pull out the hinged section of the dock.



2. Press the iPhone down onto the docking connector.

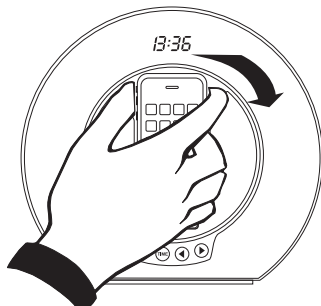


3. Press the iPhone back against the dock backplate, closing the hinged section.

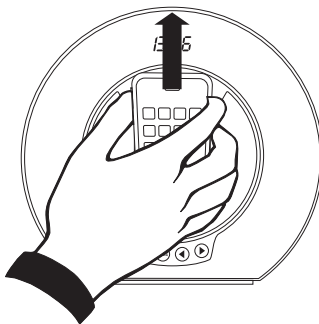


4. Push the iPhone down to ensure it is fully engaged on the dock connector.

To remove an iPhone or iPod touch:



1. Grip the sides of the iPhone/iPod touch and gently pull it forward.



2. Gently pull the iPhone/iPod touch upwards, off the docking connector.

CONNECTING TO THE AUX JACK

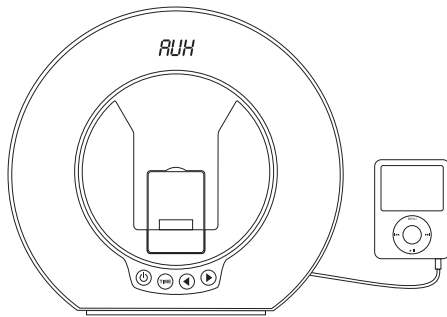
A cable is supplied to connect other sources with Line out or Headphone jacks to the AUX input of your docking station.

These sources could include -

- iPod models other than iPhone or iPod touch.
- Other types of MP3 personal audio players.
- Personal CD players.

To connect a source via the AUX cable:

- Connect one end of the AUX cable (supplied) to the Headphone jack of the player.
- Connect the other end of the cable to the AUX-in jack located on the back panel of the Docking Station.



POWER CONTROL


STANDBY CONTROL

To turn the docking station on:

- Press the  (Standby/Source) button briefly.

The unit will switch on.

To turn the docking station off:

- Press and **hold** the  (Standby/Source) button.

The unit will switch off.

SELECTING A SOURCE

SOUND SOURCES

You can choose to listen to a docked iPhone/iPod touch or to another iPod model or personal stereo connected via the AUX cable.

Selecting a source:

- Press the  (Standby/Source) button repeatedly to switch between iPod and AUX sources.

The source playing will change and the clock display will briefly show the source name (iPod or AUX) before reverting to clock display.

NOTE:- The iPod source (for a docked iPhone/iPod touch) can only be selected when an iPhone/iPod touch is docked.

ADJUSTING THE VOLUME

To increase the volume:

- Press the  button on the control panel.

To decrease the volume:

- Press the  button on the control panel.

When the volume is adjusted the display will change to show the current volume setting on a scale of 0 to 40.

NOTE: When playing a source connected to the AUX input via the headphone jack, the volume control must be turned up on the source.

OPERATING THE iPhone

When playing, the iPhone/iPod touch controls are used to navigate menus and choose programs etc.

The Docking Station controls are only used to set volume.

CHARGING THE iPhone

An iPhone or iPod touch will charge when it is docked and the docking station is set to Standby or when the Aux source is selected.

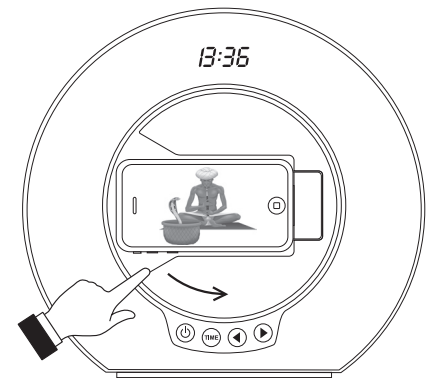
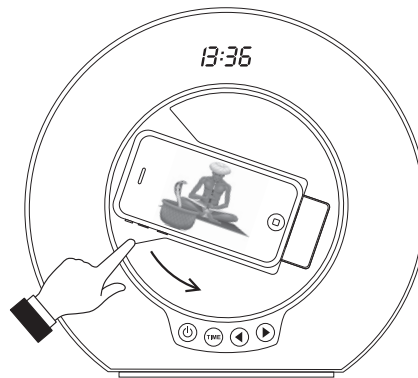
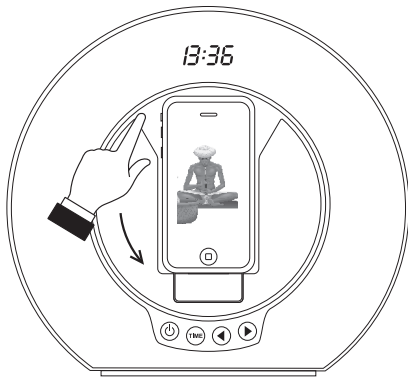
USING THE ROTATING DOCK

The dock connector rotates to enable you to view movie, photo or other video content on your iPhone/iPod touch in 'widescreen' mode.

To rotate the dock:

- Press the left side of the dock gently as shown below to turn the dock through 90 degrees to 'landscape' orientation.
- Pressing the opposite side of the dock will rotate the dock back to 'portrait' orientation.

The accelerometer in the iPhone/iPod touch will automatically change the format of the video display as the dock is rotated.



CARE AND MAINTENANCE

CARE AND CLEANING

All care and cleaning operations should be carried out with the unit unplugged from the mains power.

The surface of the unit can be cleaned with a barely damp cloth and then dried carefully. Never use abrasives, abrasive cloths or chemical solvents .

WARRANTY

WARRANTY

Your Tesco appliance is covered by a warranty for 12 months from the date of purchase. If a fault develops during this period, please contact the TESCO electrical help line on 0845 456 6767. Please have your original purchase receipt with you when you call. This warranty in no way affects your consumer rights.

SPECIFICATIONS

SPECIFICATIONS

Supply Voltage, Current : . 9V ---, 1.5A

AC Adaptor input:..... 100-240V ~, 0.6A max.

Net Weight:..... 736 g



Class II construction double insulated.
This product must not be connected to earth.



UK: Waste electrical products/batteries should not be disposed of with household waste. Separate disposal facilities exist, for your nearest facilities see www.recycle-more.co.uk or in-store for details.

ROI: Produced after 13th August 2005. Waste electrical products/batteries should not be disposed of with household waste. Please recycle where facilities exist. Check with your Local Authority or retailer for recycling advice.

Technika

Tesco Stores Ltd,
Delamare Road, Cheshunt, Herts, EN8 9SL

► **Technika Helpline: 0845 456 6767** (Calls cost up to 4p per minute from a BT landline, other providers may vary)

SP-429iV0.4

Free Manuals Download Website

<http://myh66.com>

<http://usermanuals.us>

<http://www.somanuals.com>

<http://www.4manuals.cc>

<http://www.manual-lib.com>

<http://www.404manual.com>

<http://www.luxmanual.com>

<http://aubethermostatmanual.com>

Golf course search by state

<http://golfingnear.com>

Email search by domain

<http://emailbydomain.com>

Auto manuals search

<http://auto.somanuals.com>

TV manuals search

<http://tv.somanuals.com>