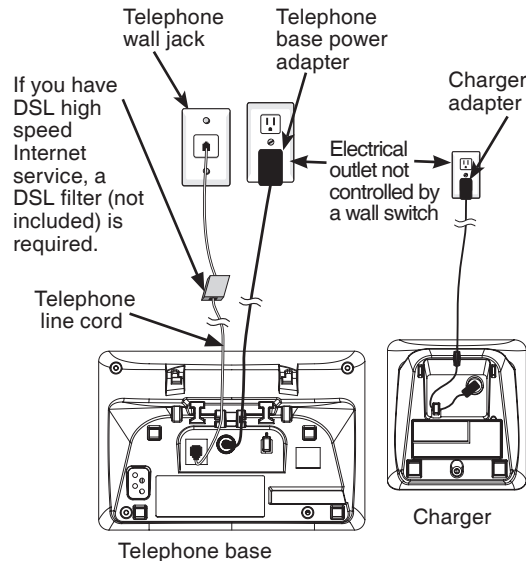


Quick start guide

for models LS6325/LS6325-2/LS6325-3/
LS6325-4/LS6325-5/LS6326-5

Install the telephone base and charger(s)

Install the telephone base and charger(s) as shown below.



note

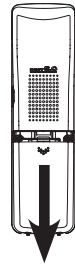
- Use only the power adapters and batteries supplied with your VTech telephone.
- For complete feature instructions, please refer to your user's manual.

Battery installation and charging

Install the battery as shown below. After installing the battery, you may be able to make and receive short calls. For best performance, charge the handset battery for at least 16 hours before use.

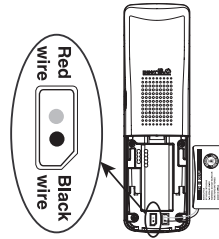
①

If the battery compartment cover is on the handset, press on the indentation and slide the cover to remove.



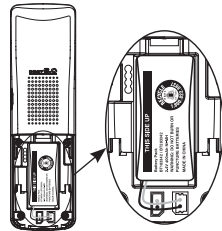
②

Plug the battery connector securely into the socket inside the handset battery compartment, matching the color-coded label.



③

Place the battery with the label **THIS SIDE UP** facing up and the wires inside the battery compartment.



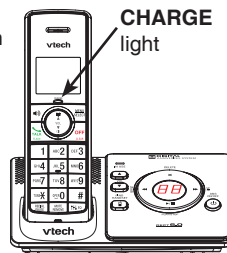
④

Align the cover flat against the battery compartment, then slide it towards the center of the handset until it clicks into place.



⑤

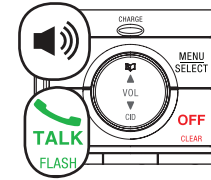
Charge the handset by placing it in the telephone base or charger. The **CHARGE** light is on when the handset charges.



Make, answer and end a call

Make a call

1. Press **TALK/FLASH** or . You hear a dial tone.
2. Dial the number.



Make a predial call

1. Dial the number.
2. Press **TALK/FLASH** or .

Answer a call

Press **TALK/FLASH**, or any of the dialing keys (0-9, #, ~~TONE~~).

End a call

Press **OFF/CLEAR** or put the handset in the telephone base or charger.

Push to talk (PTT)

You can directly broadcast messages from one handset to the speakerphone of one or all other handsets. Any handset you call can respond by pressing **PUSH TO TALK** to begin a two-way communication.

When the connection is made, both the caller and the destination handsets display **Press and hold [PTT] to talk** and beep once.

Only one handset can be talk at a time. To do so, press and hold **PUSH TO TALK**.

note

For complete PTT instructions, please refer to your user's manual.

Turn the answering system on or off

The answering system must be turned on to answer and record messages.

When the answering system is turned on, the **ANS ON/OFF** light on the telephone base will be on and **ANS ON** will display on the handset.

To turn on or off with the telephone base:

- Press **ANS ON/OFF** to turn the built-in answering system on or off. When the answering system is turned on, it announces, "Calls will be answered." When the answering system is turned off, it announces, "Calls will not be answered."



To turn on or off with a handset:

1. Press **MENU/SELECT** when the handset is not in use.
2. Press **▲VOL** or **▼VOL/CID** to highlight **>Answering sys**, then press **MENU/SELECT**.
3. Press **▲VOL** or **▼VOL/CID** to highlight **>Answer ON/OFF**, then press **MENU/SELECT**.
4. Press **▲VOL** or **▼VOL/CID** to choose **>On** or **>Off**, then press **MENU/SELECT**.

Outgoing announcement

The telephone is preset with a greeting that answers calls with "Hello, please leave a message after the tone." You can use this preset announcement, or replace it with your own.

Use a handset to record your own announcement:

1. Press **MENU/SELECT** when the handset is not in use.
2. Press **▲VOL** or **▼VOL/CID** to highlight **>Answering sys**, then press **MENU/SELECT**.
3. Press **MENU/SELECT** to highlight **>Announcement**.
4. The handset announces, "To play, press 2. To record, press 7." Press **7** to record.
5. The handset announces, "Record after the tone. Press 5 when you are done."
6. After the tone, speak towards the microphone of the handset.
7. Press **5** when finished.
8. The answering system automatically plays back the newly recorded announcement. Press **5** to stop the playback at any time; **2** to replay the recorded announcement; or **7** to record again if desired.

To play messages with the telephone base:

Press **PLAY/STOP** to listen to messages.

Options during playback:

- Press **VOL** or **▲VOL/▼** to adjust the speaker volume.
- Press **SKIP** to skip to the next message.
- Press **REPEAT** to repeat the message currently playing. Press **REPEAT** twice to listen to the previous message.
- Press **X/DELETE** to delete the current message. The system advances to the next message.
- Press **PLAY/STOP** to stop.

To play messages with a handset:

1. Press **MENU/SELECT** when the handset is not in use.
2. Press **MENU/SELECT** to highlight **>Play messages**. If you have either new or old messages, the messages play automatically.

If you have both new and old messages:

- To play new messages, press **MENU/SELECT** to highlight **>Play new msgs**.
- To play old messages, press **▼VOL/CID** to highlight **>Play old msgs**, then press **MENU/SELECT**.

Options during playback:

- Press **▲VOL** or **▼VOL/CID** to adjust the speaker volume.
- Press **EQ** to adjust the handset message playback audio quality.
- Press **6** to skip to the next message.
- Press **4** to repeat the message currently playing. Press **4** twice to listen to the previous message.
- Press **3** to delete the current message. The system advances to the next message.
- Press **5** to stop.

IMPORTANT!

If your product is not working properly:

- Refer to the **Troubleshooting** section of the user's manual.
- Visit our website at www.vtechphones.com or call 1 (800) 595-9511. In Canada, go to www.vtechcanada.com or dial 1 (800) 267-7377.

Free Manuals Download Website

<http://myh66.com>

<http://usermanuals.us>

<http://www.somanuals.com>

<http://www.4manuals.cc>

<http://www.manual-lib.com>

<http://www.404manual.com>

<http://www.luxmanual.com>

<http://aubethermostatmanual.com>

Golf course search by state

<http://golfingnear.com>

Email search by domain

<http://emailbydomain.com>

Auto manuals search

<http://auto.somanuals.com>

TV manuals search

<http://tv.somanuals.com>