

vtech[®]

User's Manual

Go!Go! Smart Wheels[®]

Playtime with miles of learning!

Launch & Go Storage Case[™]



© 2014 VTech
Printed in China

Dear Parent,

Welcome to the world of **Go! Go! Smart Wheels**®! We're excited you've decided to ride along with us and explore all that **Go! Go! Smart Wheels**® has to offer. These toys have been designed to give your child a thrilling learning experience with hours and hours of fun as well.

Go! Go! Smart Wheels® features vehicles that interact with your child by lighting up, singing and talking, while teaching your child letters and vehicle names (each sold separately). There are other surprises in store, too! With our innovative **SmartPoint**™ technology, available exclusively on **Go! Go! Smart Wheels**® playsets (each sold separately), your child will smile as they hear **SmartPoint**™ vehicles respond to each unique **SmartPoint**™ location with singing, sound effects and fun phrases.

Our **Go! Go! Smart Wheels**® playsets also feature buttons, gears and other mechanical features to encourage the development of your child's fine motor skills. Many of the playsets also have tracks that can be arranged in endless ways, stimulating your child's creativity. In addition, many of the **Go! Go! Smart Wheels**® playsets connect to other playsets in the collection, so there's no end to what your child can do!

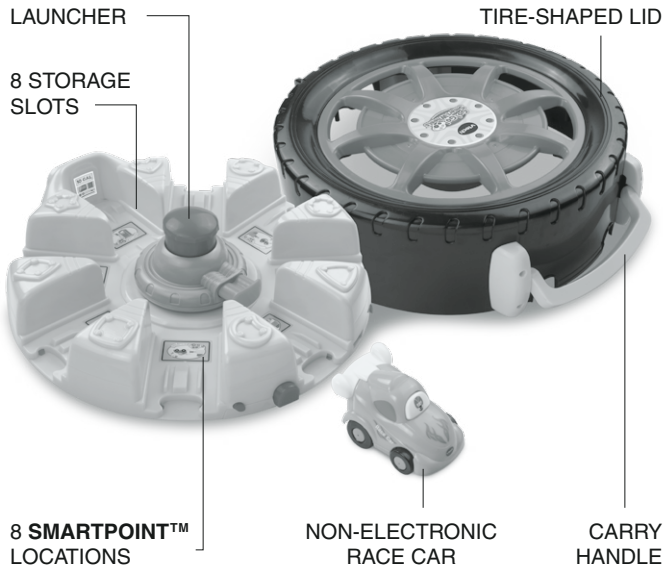
With **Go! Go! Smart Wheels**®, it's playtime with miles of learning!

Sincerely,
Your friends at **VTech**®

To learn more about **VTech**® toys, visit www.vtechkids.com

INTRODUCTION

Get ready to park and go with the **Go! Go! Smart Wheels® Launch & Go Storage Case™** by **VTech®!** Your child will develop fine motor skills as they place their **Go! Go! Smart Wheels®** vehicles (each sold separately) into the tire-shaped case and launch them out with the press of a button.



INCLUDED IN THIS PACKAGE

- One user's manual



Tire-Shaped Lid



Storage Rim



Launcher



Non-Electronic Car

WARNING:

All packing materials, such as tape, plastic sheets, packaging locks and tags are not part of this toy, and should be discarded for your child's safety.

ATTENTION:

Pour la sécurité de votre enfant, débarrassez-vous de tous les produits d'emballage tels que rubans adhésifs, feuilles de plastique, attaches et étiquettes. Ils ne font pas partie du jouet.

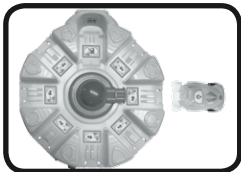
NOTE:

Please keep this user's manual as it contains important information.

PRODUCT FEATURES

1. SMARTPOINT™ LOCATIONS

The **Go! Go! Smart Wheels® Launch & Go Storage Case™** includes eight **SmartPoint™** locations that can be recognized by **SmartPoint™** vehicles to trigger fun sounds, phrases and music. (**SmartPoint™** vehicles only, sold separately.)



2. CONVENIENT VEHICLE STORAGE

Easily store as many as eight **SmartPoint™** vehicles in the **Go! Go! Smart Wheels® Launch & Go Storage Case™**.

Note: Some **Go! Go! Smart Wheels®** trains and vehicles with trailers will not fit in the **Go! Go! Smart Wheels® Launch & Go Storage Case™**.



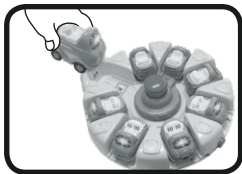
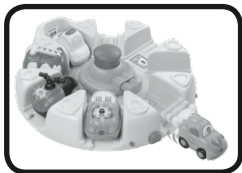
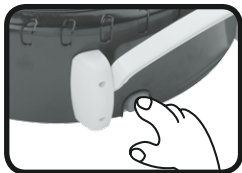
3. TRAVEL IN COMFORT

The **Go! Go! Smart Wheels® Launch & Go Storage Case™** is easy to transport from room to room. Simply click the **TIRE-SHAPED LID** into the **STORAGE RIM**, grab the attached handle, and you're off!



ACTIVITIES

1. Lay the **Go! Go! Smart Wheels® Launch & Go Storage Case™** on a flat surface. Press the red button near the handle, open and remove the **TIRE-SHAPED LID**. Place the **TIRE-SHAPED LID** to the side.
2. Make sure the orange piece on the front of the **LAUNCHER** is facing one of the 7 open-ended slots inside the **STORAGE RIM**. Place a **Go! Go! Smart Wheels®** vehicle in front of the **LAUNCHER**, and press the red launch button to launch a vehicle.
3. For added fun, **Go! Go! Smart Wheels®** electronic vehicles respond to any of the eight **SmartPoint™** locations. Place a **VTech® Go! Go! Smart Wheels®** electronic vehicle on one of the eight **SmartPoint™** locations to hear and see a fun response. Once a **VTech® Go! Go! Smart Wheels®** electronic vehicle is moved from a **SmartPoint™** location, another light and sound response will be activated.



CARE & MAINTENANCE

1. Keep the unit clean by wiping it with a slightly damp cloth.
2. Keep the unit out of direct sunlight and away from any direct heat source.
3. Do not drop the unit on hard surfaces and do not expose the unit to moisture or water.

TROUBLESHOOTING

If a problem arises, please call our Consumer Services Department at 1-800-521-2010 in the U.S. or 1-877-352-8697 in Canada, and a service representative will be happy to help you.

For information on this product's warranty, please call VTech® at 1-800-521-2010 in the U.S. or 1-877-352-8697 in Canada.

IMPORTANT NOTE:

Creating and developing **Infant Learning** products is accompanied by a responsibility that we at **VTech®** take very seriously. We make every effort to ensure the accuracy of the information, which forms the value of our products. However, errors sometimes can occur. It is important for you to know that we stand behind our products and encourage you to call our Consumer Services Department at 1-800-521-2010 in the U.S. or 1-877-352-8697 in Canada, with any problems and/or suggestions that you might have. A service representative will be happy to help you.

Free Manuals Download Website

<http://myh66.com>

<http://usermanuals.us>

<http://www.somanuals.com>

<http://www.4manuals.cc>

<http://www.manual-lib.com>

<http://www.404manual.com>

<http://www.luxmanual.com>

<http://aubethermostatmanual.com>

Golf course search by state

<http://golfingnear.com>

Email search by domain

<http://emailbydomain.com>

Auto manuals search

<http://auto.somanuals.com>

TV manuals search

<http://tv.somanuals.com>