



VM4016

ANALOG COMPARATOR

USER'S MANUAL

**82-0022-000
Rev. December 1, 2003**

VXI Technology, Inc.

**2031 Main Street
Irvine, CA 92614-6509
(949) 955-1894**



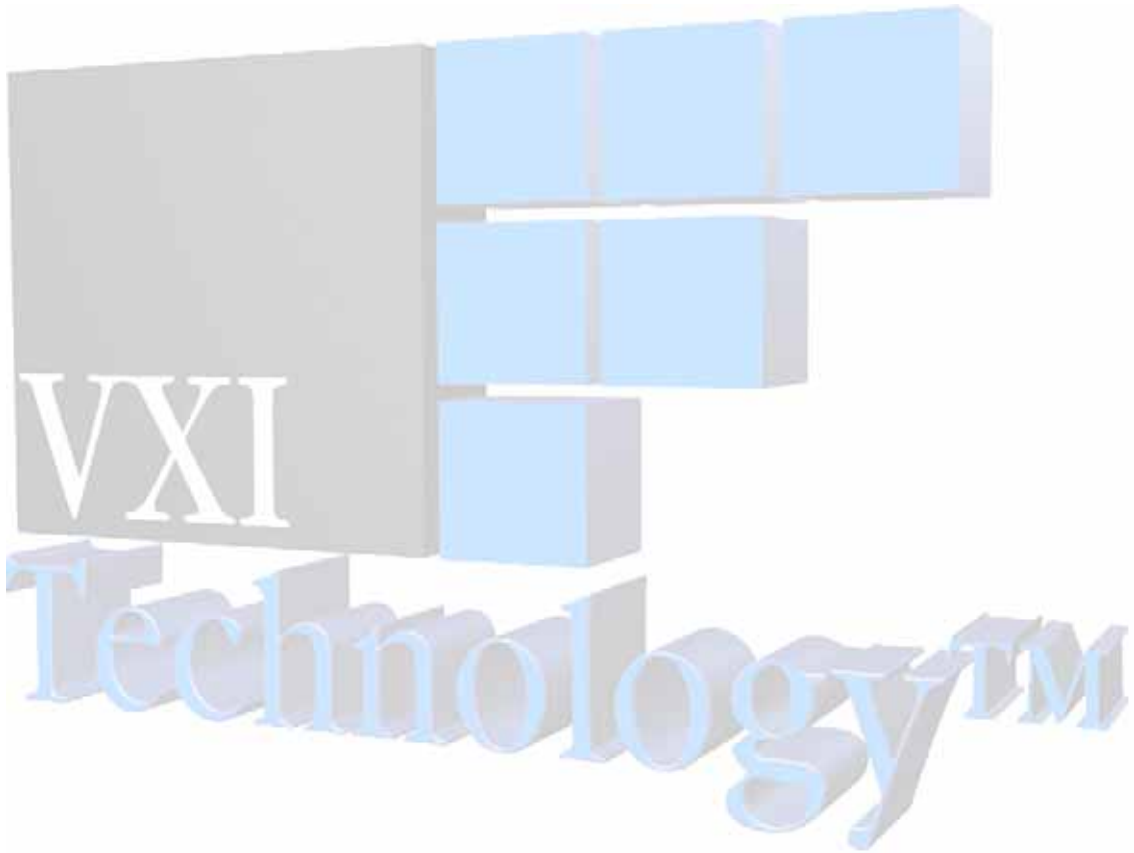


TABLE OF CONTENTS

INTRODUCTION

Certification	5
Warranty	5
Limitation of Warranty	5
Restricted Rights Legend	5
Declaration of Conformity	6
General Safety Instructions	7
Terms and Symbols	7
Warnings	7
Support Resources	9
SECTION 1.....	11
Introduction.....	11
Introduction.....	11
Description.....	12
VM4016 General Specifications	14
SECTION 2.....	15
Preparation for Use	15
Installation	15
Calculating System Power and Cooling Requirements.....	15
Setting the Chassis Backplane Jumpers	16
Setting the Logical Address	16
Front Panel Interface Wiring	16
SECTION 3.....	19
Programming	19
Examples of SCPI Commands	19
FETCH:CONDITIONED?	19
FETCH:LATCHED?	20
FETCH:RAW?	21
INHOUSE:PSEUDO	22
INHOUSE:REGINT	23
INHOUSE:REG_ENABLE	24
INHOUSE:CLEAR_LATCH	25
INPUT:DEBOUNCE.....	26
INPUT:MASK.....	27
INPUT:MASK:INTERRUPT	28
INPUT:OFFSET	29
INPUT:POLARITY.....	30
INPUT:RANGE	31
OUTPUT:POLARITY:EXTERNAL:INTERRUPT	32
OUTPUT:POLARITY:EXTERNAL:LATCHED.....	33
Application Examples.....	34
Single Channel Operation	35
Bracketing a Voltage.....	38
Register Access Examples	41
Pseudo Register Access	43
VXIplug&play Driver Examples	44
SECTION 4.....	47
Command Dictionary.....	47
Introduction.....	47
Alphabetical Command Listing	47
Command Dictionary	51

Common SCPI Commands	52
*CLS	52
*ESE	53
*ESR?	54
*IDN?	55
*OPC	56
*RST	57
*SRE	58
*STB?	59
*TRG	60
*TST?	61
*WAI	62
Instrument Specific SCPI Commands.....	63
FETCh:CONDitioned?	63
FETCh:LATChed?	64
FETCh:RAW?	65
INHOUSE:CLEAR_LATCH	66
INHOUSE:PSEUDO	67
INHOUSE:REGINT	68
INHOUSE:REG_ENABLE	69
INPut:DEBounce	70
INPut:MASK	71
INPut:MASK:INTerrupt	72
INPut:OFFSet	73
INPut:POLarity	74
INPut:RANGe.....	75
OUTPut:POLarity:EXTernal:INTerrupt	76
OUTPut:POLarity:EXTernal:LATChed	77
Required SCPI Commands	78
STATus:OPERation:CONDition?	78
STATus:OPERation:ENABLE	79
STATus:OPERation[:EVENT]?	80
STATus:PRESet	81
STATus:QUEStionable:CONDition?	82
STATus:QUEStionable:ENABLE	83
STATus:QUEStionable[:EVENT]	84
SYSTem:ERRor?	85
SYSTem:VERSion?	86
SECTION 5.....	87
Theory of Operation	87
Introduction.....	87
Input Range Control.....	88
Signal Comparison.....	90
Interrupt Generation.....	91
INDEX.....	93

CERTIFICATION

VXI Technology, Inc. (VTI) certifies that this product met its published specifications at the time of shipment from the factory. VTI further certifies that its calibration measurements are traceable to the United States National Institute of Standards and Technology (formerly National Bureau of Standards), to the extent allowed by that organization's calibration facility, and to the calibration facilities of other International Standards Organization members.

WARRANTY

The product referred to herein is warranted against defects in material and workmanship for a period of three years from the receipt date of the product at customer's facility. The sole and exclusive remedy for breach of any warranty concerning these goods shall be repair or replacement of defective parts, or a refund of the purchase price, to be determined at the option of VTI.

For warranty service or repair, this product must be returned to a VXI Technology authorized service center. The product shall be shipped prepaid to VTI and VTI shall prepay all returns of the product to the buyer. However, the buyer shall pay all shipping charges, duties, and taxes for products returned to VTI from another country.

VTI warrants that its software and firmware designated by VTI for use with a product will execute its programming when properly installed on that product. VTI does not however warrant that the operation of the product, or software or firmware will be uninterrupted or error free.

LIMITATION OF WARRANTY

The warranty shall not apply to defects resulting from improper or inadequate maintenance by the buyer, buyer-supplied products or interfacing, unauthorized modification or misuse, operation outside the environmental specifications for the product, or improper site preparation or maintenance.

VXI Technology, Inc. shall not be liable for injury to property other than the goods themselves. Other than the limited warranty stated above, VXI Technology, Inc. makes no other warranties, express or implied, with respect to the quality of product beyond the description of the goods on the face of the contract. VTI specifically disclaims the implied warranties of merchantability and fitness for a particular purpose.

RESTRICTED RIGHTS LEGEND

Use, duplication, or disclosure by the Government is subject to restrictions as set forth in subdivision (b)(3)(ii) of the Rights in Technical Data and Computer Software clause in DFARS 252.227-7013.

VXI Technology, Inc.
2031 Main Street
Irvine, CA 92614-6509 U.S.A.

DECLARATION OF CONFORMITY

Declaration of Conformity According to ISO/IEC Guide 22 and EN 45014

MANUFACTURER'S NAME	VXI Technology, Inc.
MANUFACTURER'S ADDRESS	2031 Main Street Irvine, California 92614-6509
PRODUCT NAME	Analog Comparator
MODEL NUMBER(S)	VM4016
PRODUCT OPTIONS	All
PRODUCT CONFIGURATIONS	All

VXI Technology, Inc. declares that the aforementioned product conforms to the requirements of the Low Voltage Directive 73/23/EEC and the EMC Directive 89/366/EEC (inclusive 93/68/EEC) and carries the "CE" mark accordingly. The product has been designed and manufactured according to the following specifications:

SAFETY	EN61010 (2001)
EMC	EN61326 (1997 w/A1:98) Class A CISPR 22 (1997) Class A VCCI (April 2000) Class A ICES-003 Class A (ANSI C63.4 1992) AS/NZS 3548 (w/A1 & A2:97) Class A FCC Part 15 Subpart B Class A EN 61010-1:2001

The product was installed into a C-size VXI mainframe chassis and tested in a typical configuration.

I hereby declare that the aforementioned product has been designed to be in compliance with the relevant sections of the specifications listed above as well as complying with all essential requirements of the Low Voltage Directive.

December 2003




 Jerry Patton, QA Manager

GENERAL SAFETY INSTRUCTIONS

Review the following safety precautions to avoid bodily injury and/or damage to the product. These precautions must be observed during all phases of operation or service of this product. Failure to comply with these precautions, or with specific warnings elsewhere in this manual, violates safety standards of design, manufacture, and intended use of the product.

Service should only be performed by qualified personnel.

TERMS AND SYMBOLS

These terms may appear in this manual:

WARNING Indicates that a procedure or condition may cause bodily injury or death.

CAUTION Indicates that a procedure or condition could possibly cause damage to equipment or loss of data.

These symbols may appear on the product:



ATTENTION - Important safety instructions



Frame or chassis ground

WARNINGS

Follow these precautions to avoid injury or damage to the product:

Use Proper Power Cord To avoid hazard, only use the power cord specified for this product.

Use Proper Power Source To avoid electrical overload, electric shock, or fire hazard, do not use a power source that applies other than the specified voltage.

Use Proper Fuse To avoid fire hazard, only use the type and rating fuse specified for this product.

WARNINGS (CONT.)**Avoid Electric Shock**

To avoid electric shock or fire hazard, do not operate this product with the covers removed. Do not connect or disconnect any cable, probes, test leads, etc. while they are connected to a voltage source. Remove all power and unplug unit before performing any service. ***Service should only be performed by qualified personnel.***

Ground the Product

This product is grounded through the grounding conductor of the power cord. To avoid electric shock, the grounding conductor must be connected to earth ground.

Operating Conditions

To avoid injury, electric shock or fire hazard:

- Do not operate in wet or damp conditions.
- Do not operate in an explosive atmosphere.
- Operate or store only in specified temperature range.
- Provide proper clearance for product ventilation to prevent overheating.
- DO NOT operate if you suspect there is any damage to this product. ***Product should be inspected or serviced only by qualified personnel.***

**Improper Use**

The operator of this instrument is advised that if equipment is used in a manner not specified in this manual, the protection provided by this equipment may be impaired.

SUPPORT RESOURCES

Support resources for this product are available on the Internet and at VXI Technology customer support centers.

VXI Technology World Headquarters

VXI Technology, Inc.
2031 Main Street
Irvine, CA 92614-6509

Phone: (949) 955-1894
Fax: (949) 955-3041

VXI Technology Cleveland Instrument Division

VXI Technology, Inc.
7525 Granger Road, Unit 7
Valley View, OH 44125

Phone: (216) 447-8950
Fax: (216) 447-8951

VXI Technology Lake Stevens Instrument Division

VXI Technology, Inc.
1924 - 203 Bickford
Snohomish, WA 98290

Phone: (425) 212-2285
Fax: (425) 212-2289

Technical Support

Phone: (949) 955-1894
Fax: (949) 955-3041
E-mail: support@vxitech.com



Visit <http://www.vxitech.com> for worldwide support sites and service plan information.

SECTION 1

INTRODUCTION

INTRODUCTION

The VM4016 is a high-performance Analog Comparator module which has been designed to monitor analog signals and cause VXIbus interrupts to occur when programmed input limits have been exceeded. The instrument uses the message-based word serial interface for programming and data movement, as well as supporting direct register access for very high-speed data retrieval. The VM4016 command set conforms with the SCPI standard for consistency and ease of programming.

The VM4016 is a member of the VXI Technology VMIP™ (*VXI Modular Instrumentation Platform*) family and is available as a 16-, 32- or 48-channel, single-wide VXIbus instrument. In addition to these three standard configurations, the VM4016 may be combined with any of the other members of the VMIP family to form a customized and highly integrated instrument (see Figure 1-1). This allows the user to reduce system size and cost by combining the VM4016 with two other instrument functions in a single-wide C-size VXIbus module. Figure 1-2 shows the 48-channel version of the VM4016. The 32-channel version would not have J200 and its associated LEDs and nomenclature while the 16-channel version would also eliminate J202.

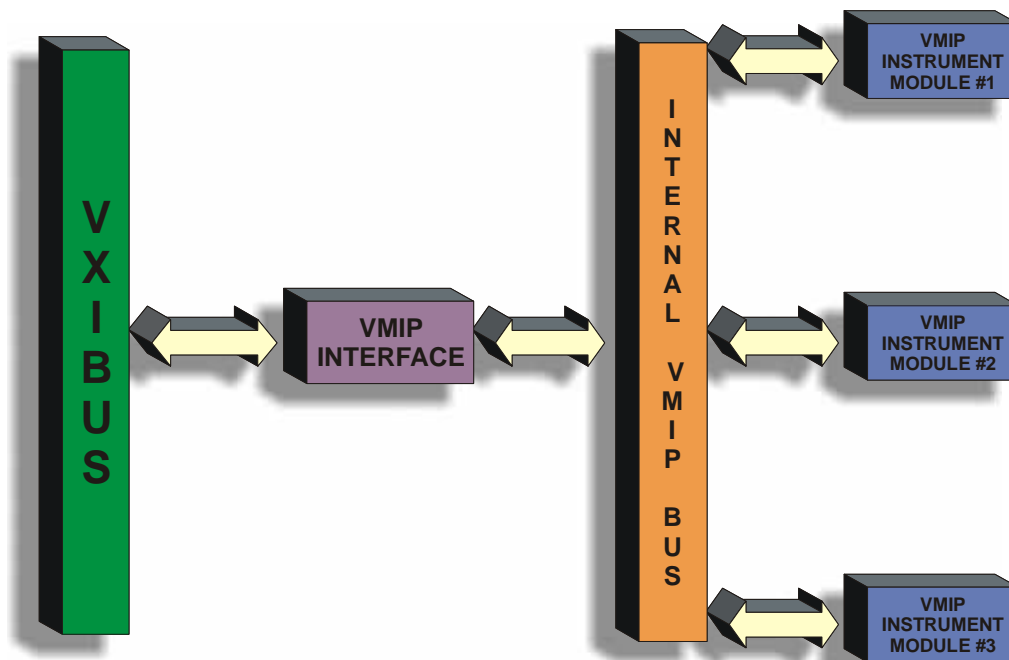
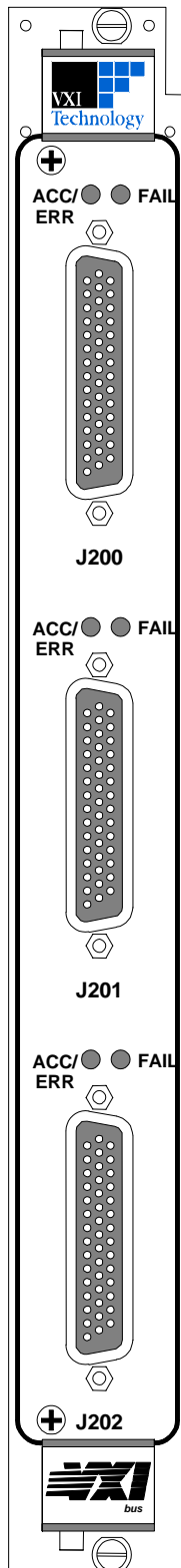


FIGURE 1-1: VMIP™ PLATFORM



Regardless of whether the VM4016 is configured with other VM4016 modules or with other VMIP modules, each group of 16 channels is treated as an independent instrument in the VXIbus chassis and, as such, each group has its own FAIL and ACCESS light.

The FAIL LED is a Power/Fault indicator. When normal power up conditions exist, the FAIL LED will illuminate green. When a power on fault condition occurs, the FAIL LED will illuminate red. The ACC/ERR LED indicates communication status. When a successful Access occurs, the LED will blink green during data transfer and command/query operations. In the event of an unrecognized command, or other data related error, the ACC/ERR LED will illuminate red. If there is no command/query activity, and no errors, the ACC/ERR LED will be extinguished. The normal state of the LEDs on a properly functioning idle instrument is for the FAIL LED to be green, and the ACC/ERR LED to be off.

DESCRIPTION

The VM4016 is a high-performance Analog Comparator module with 16 input channels per VMIP daughter module. Each input channel consists of a differential amplifier with a gain of 1 or 0.1 giving an input range of ± 10 volts or ± 100 volts. Each input is compared against a reference voltage derived from an independent 8-bit DAC.

Each input signal is digitally debounced for a programmed time ranging from approximately $10 \mu\text{s}$ to 0.5 seconds. This prevents input signal noise from causing undesired interrupts. After debounce, the signal may be programmatically inverted to select the input transition edge of interest (rising or falling edge) and masked to prevent unused channels from causing interrupts.

All of the masked inputs are OR'd together to produce a single interrupt signal. This interrupt signal is used to generate a VXIbus interrupt as well as the front panel interrupt outputs. All active input is recorded as a 1. Once the VXIbus interrupt is serviced by the slot 0 controller, the First Latched Register will be cleared.

The state of each channel's debounced input and the inverted and masked status may be read directly in the user defined area of the VXIbus registers as can the First Latched register. This information may also be retrieved using the message-based word serial interface.

The block diagram of Figure 1-3 shows the overall functionality of the VM4016 Analog Comparator instrument.

FIGURE 1-2: FRONT PANEL LAYOUT

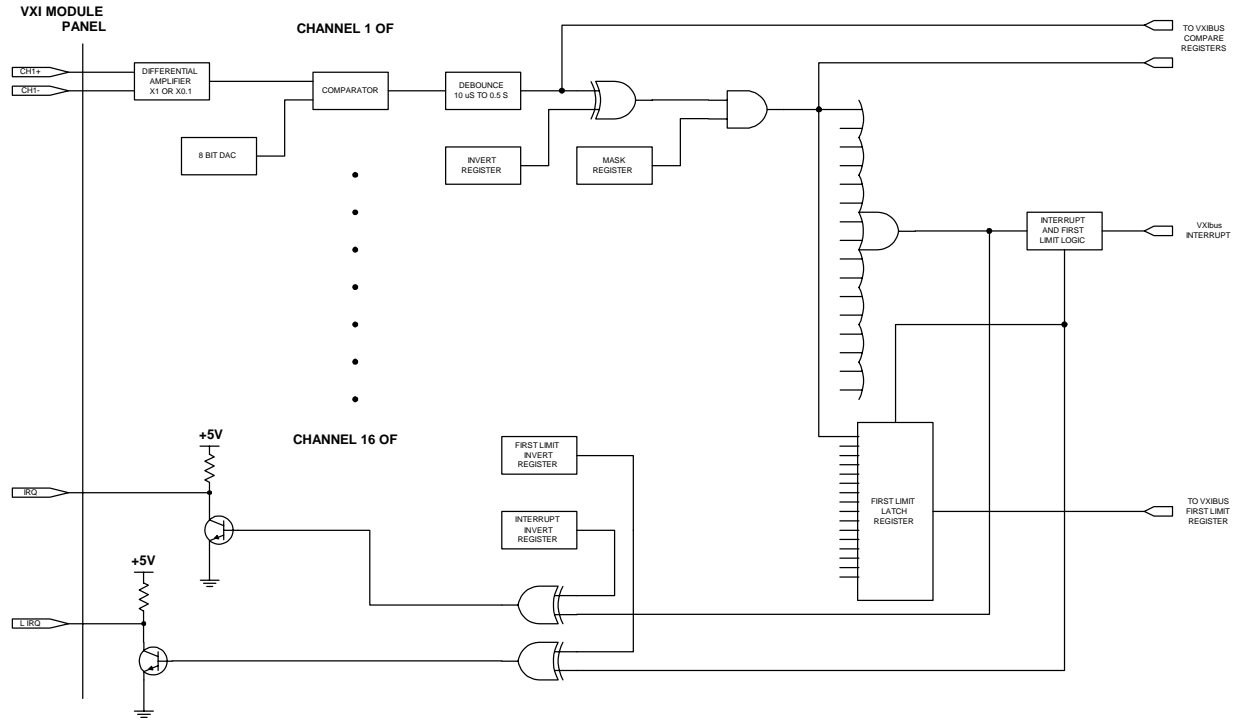


FIGURE 1-3: VM4016 BLOCK DIAGRAM

VM4016 GENERAL SPECIFICATIONS

GENERAL SPECIFICATIONS	
CHANNELS	
VM4016-1	16
VM4016-2	32
VM4016-3	48
INPUT RANGE	
	±10.0 V, ±100 V
INPUT THRESHOLD	
±10.0 V	78 mV
±100.0 V	780 mV
INPUT TYPE	
	Differential, may be configured for single-ended by grounding the negative input
INPUT IMPEDANCE	
	200 kΩ Differential 100 kΩ Single-ended
INPUT POLARITY	
	Rising or Falling Edge
DEBOUNCE TIME	
	9.6 μs to 0.6291456 s, 9.6 μs resolution
IRQ OUTPUT	
	Open Collector Driver, 200 mA max. sink Internally pulled up to +5 V with 10 k resistor
LATCHED IRQ OUTPUT	
	Open Collector Driver, 200 mA max. sink Internally pulled up to +5 V with 10 k resistor
VXI INTERFACE	
	Message-based word serial interface Direct register access in the user defined area of the VXIbus register map
LOGICAL ADDRESSING	
	Static or Dynamic Configuration
RAW DATA REGISTER	
	Logical Address + 20H
MASKED DATA REGISTER	
	Logical Address + 28H
FIRST LATCHED REGISTER	
	Logical Address + 30H
POWER REQUIREMENTS	
VM4016-1	+5 V @ 1.43 A, -5.2 V @ 0.17 A, +24 V @ 0.05 A, -24 V @ 0.05 A
VM4016-2	+5 V @ 2.12 A, -5.2 V @ 0.29 A, +24 V @ 0.10 A, -24 V @ 0.10 A
VM4016-3	+5 V @ 2.81 A, -5.2 V @ 0.41 A, +24 V @ 0.15 A, -24 V @ 0.15 A
COOLING REQUIREMENTS	
VM4016-1	See Power Cooling Table
VM4016-2	See Power Cooling Table
VM4016-3	See Power Cooling Table

SECTION 2

PREPARATION FOR USE

INSTALLATION

When the VM4016 is unpacked from its shipping carton, the contents should include the following items:

- One VM4016 VXIbus module
- One VM4016 Analog Comparator Module User's Manual (this manual)

All components should be immediately inspected for damage upon receipt of the unit.

Once the VM4016 is assessed to be in good condition, it may be installed into an appropriate C-size or D-size VXIbus chassis in any slot other than slot 0. The chassis should be checked to ensure that it is capable of providing adequate power and cooling for the VM4016. Once the chassis is found to be adequate, the VM4016's logical address and the chassis' backplane jumpers should be configured prior to the VM4016's installation.

CALCULATING SYSTEM POWER AND COOLING REQUIREMENTS

It is imperative that the chassis provide adequate power and cooling for this module. Referring to the chassis user's manual, confirm that the power budget for the system (the chassis and all modules installed therein) is not exceeded and that the cooling system can provide adequate airflow at the specified backpressure.



It should be noted that if the chassis cannot provide adequate power to the module, the instrument may not perform to specification or possibly not operate at all. In addition, if adequate cooling is not provided, the reliability of the instrument will be jeopardized and permanent damage may occur. Damage found to have occurred due to inadequate cooling would also void the warranty of the module.

SETTING THE CHASSIS BACKPLANE JUMPERS

Please refer to the chassis User's Manual for further details on setting the backplane jumpers.

SETTING THE LOGICAL ADDRESS

The logical address of the VM4016 is set by a single 8-position DIP switch located near the module's backplane connectors (this is the only switch on the module). The switch is labeled with positions 1 through 8 and with an ON position. A switch pushed toward the ON legend will signify a logic 1; switches pushed away from the ON legend will signify a logic 0. The switch located at position 1 is the least significant bit while the switch located at position 8 is the most significant bit. See Figure 2-1 for examples of setting the logical address switch.

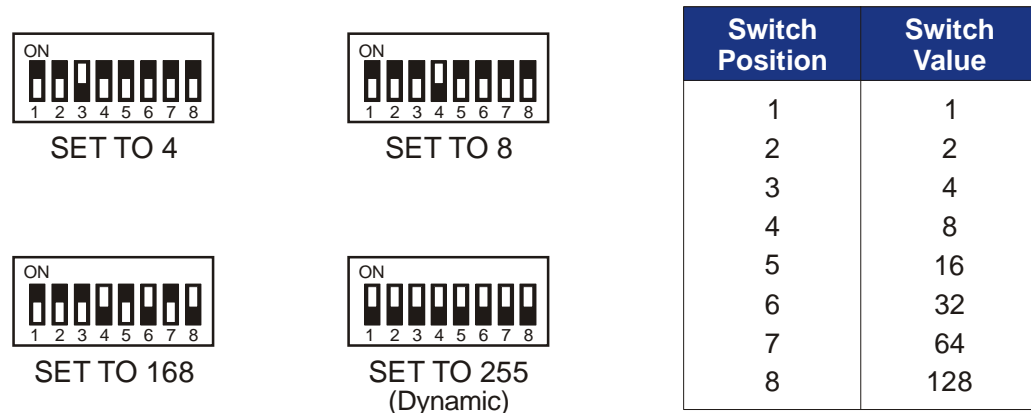


FIGURE 2-1: LOGICAL ADDRESS SWITCH SETTING EXAMPLES

The VMIP may contain three separate instruments and will allocate logical addresses as required by the VXIbus specification (revisions 1.3 and 1.4). It is necessary that the address of the first instrument (the instrument closest to the top of the module) be set at an address which is divisible by 4 and not set to 0. Switch positions 0 and 1 must always be set to the OFF position. Therefore only addresses of 4, 8, 12, 16 ... 252 are allowed. The address switch should be set for one of these legal addresses and the address for the second instrument (the instrument in the center position) will automatically be set to the switch set address plus one; while the third instrument (the instrument in the lowest position) will automatically be set to the switch set address plus two.

If dynamic address configuration is desired, the address switch should be set for a value of 255. Upon power-up, the slot 0 resource manager will assign logical addresses to each instrument in the VMIP module.

FRONT PANEL INTERFACE WIRING

The VM4016's interface is made available on the front panel of the instrument. The 16-channel version (VM4016-1) will have J201 that contains all signals for this instrument. The 32-channel version (VM4016-2) will have J201 and J202 provided, while the 48-channel version (VM4016-3) will have J200, J201 and J202. The wiring for each of these connectors is identical and since each group of 16 channels is treated as a separate instrument, the module will have three Channel 1s, three Channel 2s, three Channel 3s, etc.

The connector used in the VM4016 is a commonly available 44-pin high density DSUB receptacle connector. A mating solder cup pin connector from AMP is included, crimp type connectors are available from a variety of sources.

TABLE 2-1: ANALOG COMPARATOR PIN OUTS

SIGNAL	PIN NUMBER	SIGNAL	PIN NUMBER
CHANNEL 1 +	1	GROUND	23
CHANNEL 1 -	2	CHANNEL 11 +	24
GROUND	3	CHANNEL 11 -	25
CHANNEL 4 +	4	CHANNEL 14 +	26
CHANNEL 4 -	5	CHANNEL 14 -	27
CHANNEL 7 +	6	GROUND	28
CHANNEL 7 -	7	CHANNEL 16 +	29
GROUND	8	CHANNEL 16 -	30
CHANNEL 10 +	9	CHANNEL 3 +	31
CHANNEL 10 -	10	CHANNEL 3 -	32
CHANNEL 13 +	11	GROUND	33
CHANNEL 13 -	12	CHANNEL 6 +	34
GROUND	13	CHANNEL 6 -	35
IRQ OUTPUT	14	CHANNEL 9 +	36
GROUND	15	CHANNEL 9 -	37
CHANNEL 2 +	16	GROUND	38
CHANNEL 2 -	17	CHANNEL 12 +	39
GROUND	18	CHANNEL 12 -	40
CHANNEL 5 +	19	CHANNEL 15 +	41
CHANNEL 5 -	20	CHANNEL 15 -	42
CHANNEL 8 +	21	GROUND	43
CHANNEL 8 -	22	LATCHED IRQ OUT	44

The mating connector to J200, J201 or J202 is available from the following company:

Assmann Electronic, Inc. P/N AHDS44LL-T Mating Connector

The pin locations for J200, J201 and J202 are shown in Figure 2-2.

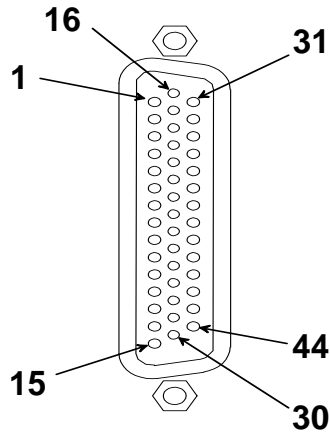


FIGURE 2-2: J200, J201 AND J202 PIN LOCATIONS

SECTION 3

PROGRAMMING

EXAMPLES OF SCPI COMMANDS

FETCH:CONDITIONED?

The FETCh:CONDition query returns the 16-bit value that represents the current conditioned (masked and inverted) state of the inputs. It is important to note that this information is also available at the VXIbus register level at offset 0x28.

FETCh:CONDitioned?

No query parameters.

EXAMPLES

FETCh:CONDitioned?

Returns the state of the conditioned 0 (masked and inverted) inputs.

FETCH:LATCHED?

The FETCh:LATChed query returns a 16-bit value that reports the active signals in the First Latched register. The First Latched register records the active signals when the first new input channel crossed its threshold. It is important to note that the above information is also available at the VXIbus register level at offset 0x30.

FETCh:LATChed?***No query parameters*****EXAMPLES**

FETCh:LATChed?

1

Returns the active signals in the First Latched register. Channel 1.

FETC:LATC?

3

Returns the active signals in the First Latched Register. Channels 1 and 2.

FETCH:RAW?

The FETCh:RAW query returns the 16-bit value that represents the current unconditioned (unmasked and non-inverted) state of the inputs. It is important to note that the above information is also available at the register level at offset 0x20.

FETCH:RAW?

No query parameters

EXAMPLES

FETCh:RAW?
1

Returns the state of the unconditioned (unmasked and non-inverted) inputs Channel 1.

FETC:RAW?
65535

All 16 channels crossed the programmed threshold.

INHOUSE:PSEUDO

The INHOUSE:PSEUDO command controls the use of the register interface. Pseudo set true specifies that pseudo register interface should be used. Pseudo set false specifies that the hardware register interface should be used. The value set takes effect next time the unit powers up [does not take effect immediately]. The pseudo register interface allows the use of REG_ENABLE and CLEAR_LATCH capability from the registers. Although the hardware register interface is much faster than the pseudo register interface, it lacks the above two features. It is important to note that when the module is shipped from the factory, pseudo is set to 1. It is also important to note that all letters of the command must be provided as there is no short form for this command.

INHOUSE:PSEUDO <boolean>

Where <boolean> is 0 / OFF / 1 / ON.

EXAMPLES

INHOUSE:PSEUDO 1

Sets the pseudo register interface ON. (The unit must be powered for the change to take effect.)

INHOUSE:PSEUDO?
1

Returns 1 which states that the register interface is set to pseudo.

INHOUSE:REGINT

The INHOUSE:REGINT command controls the type of module's response to an interrupt acknowledge cycle [ack cycle]. When regint is set to false, the module uses reqt | reqf (request true | request false), provided the latched interrupt bit is set in the SRE.

It is important to note that all the letters of the command must be provided as there is no short form for this command.

INHOUSE:REGINT <boolean>

Where <boolean> is 0 / OFF / 1 / ON.

EXAMPLES

INHOUSE:REGINT 1

Sets the type of module interrupt response to one backplane interrupts for every first latched event.

INHOUSE:REGINT?
1

Returns the type of module interrupt response as 1.

INHOUSE:REGINT 0

Sets the type of module interrupt response as two backplane interrupts for each latched event.

INHOUSE:REGINT?
0

Returns the type of module interrupt response as 0.

INHOUSE:REG_ENABLE

The INHOUSE:REG_ENABLE command controls the masking for REGINT. REG_ENABLE 0 means that backplane interrupts cannot be generated. If the REG_ENABLE is 1, then backplane interrupts can be generated. If PSEUDO is set, then a write to the register at offset 0x38 also controls the masking. Enable or disable capabilities are provided in the pseudo register interface to allow a complete register interface. It is important to note that all letters of the command must be provided as there is no short form for this command.

INHOUSE:REG_ENABLE <boolean>

Where <boolean> is 0 / OFF / 1 / ON.

EXAMPLES

INHOUSE:REG_ENABLE 1

Enables the REGINT type interrupt generation

INHOUSE:REG_ENABLE?
1

Returns 1 to state that backplane interrupting is currently enabled.

INHOUSE:REG_ENABLE 0

Disabling REGINT interrupt generation.

INHOUSE:REG_ENABLE?
0

Returns 0 to state that backplane interrupting is currently disabled.

INHOUSE:CLEAR_LATCH

The INHOUSE:CLEAR_LATCH command determines whether the first latched information will be cleared when the information is read by word serial FETCh:LATChed? Command or if pseudo is set and a register read of the first latched information occurs. The information will not be cleared if a hardware register read is used. When the first latched information is cleared, all the following reads will return a value of 0 until a new first latched event occurs. It is important to note that all letters in the command must be provided as there is no short form for this command.

INHOUSE:CLEAR_LATCH <boolean>

Where <boolean> is 0 / OFF / 1 / ON.

EXAMPLES

INHOUSE:CLEAR_LATCH 1

Clears the first latched information on a read.

INHOUSE:CLEAR_LATCH?
1

Returns 1 stating that the first latched information will be cleared on a read.

FETC:LATC?
1

Reading the first latched information. This also clears the latched information.

FETC:LATC?
0

Reading the first latched information returns a value of 0 once the clearing of latch information was enabled (assuming no further latching occurred).

INPUT:DEBOUNCE

The INPut:DEBounce command sets the time period for the digital debounce circuitry. This command affects all the 16 channels of the instrument. It is important to note that the debounce resolution is 9.6 μ s.

INPut:DEBounce <value>

Where <value> ranges from 9.6 μ s, i.e., 0.0000096 s to 0.6291456 s.

EXAMPLES

INPut:DEBounce 9.6e-6

Sets the input debounce time for all channels to 0.0000096 s. This will not allow a signal to generate an interrupt unless the input signal crosses the signal for more than 9.6 e-6 seconds.

INP:DEB 0.6

Setting input debounce time to 0.6 s.

INP:DEB?
0.6

Returns the input debounce time as 0.6 s.

INPUT:MASK

The INPut:MASK command enables or disables input channels from generating interrupts or recording data in the conditional register. If a channel is programmed to be ON or 1, then it is enabled to generate interrupts. If a channel is programmed to be OFF or 0, then it cannot generate VXIbus interrupts.

INPut:MASK <state>, <channel_list>

Where <state> is 0 / OFF / 1 / ON.

Where <channel_list> is standard channel list format supporting channels 1 through 16.

EXAMPLES

INPut:MASK ON,(@1:8)

Enables channels 1 through 8 to generate interrupts.

INPut:MASK? 3
1

Reports that channel 3 is enabled for voltage comparison.

INP:MASK? 9
0

Reports that channel 9 is not enabled for voltage comparison.

INPUT:MASK:INTERRUPT

The INPut:MASK:INTerrupt command enables or disables interrupt generation when changing MASK values. When set to 0 (the *RST state), interrupts are temporarily disabled whenever MASK values are changed. When set to 1, interrupts are generated even as MASK values are changed.

INPut:MASK:INTerrupt <boolean>

Where <boolean> is 0 / OFF / 1 / ON.

EXAMPLES

INPut:MASK:INT 0

Disables interrupt generation

INPut:MASK:INT?
0

Reports that interrupt generation is disabled

INPUT:OFFSET

The *INPut:OFFSet* command sets the input threshold for a channel or group of channels, over which the input signal must cross to cause an interrupt event. This command sets the value in the 8-bit DAC to which the input signal is compared. It is important to note that the actual input offset value is affected by the *INPut:RANGe* command, as the response has been normalized to ± 10 V range. The actual input offset for the allowable ranges are as follows:

Range	Entered Threshold	Actual Threshold
± 10.0	x	1.0x
± 100.0	x	10.0x

INPut:OFFSet <voltage_level>,<channel_list>

Where <voltage_level> ranges from -10.00 volts to +9.96 volts.

Where <channel_list> is the standard channel list format supporting Channels 1 through 16.

EXAMPLES

INPut:RANGe 100,(@5:10)

Sets the input range for Channels 5 through 10 to ± 100 V

INPut:OFFSet -5.0,(@5:10)

Sets the input offset for Channels 5 through 10 to -50 V

INP:OFFS? 9
-5.000

Returns the normalized input offset of -50 V for Channel 9

INP:RANG 10,(@1:4)

Sets the input range for Channels 1 through 4 to ± 10 V

INP:OFFS -5.0,(@1:4)

Sets the input offset for Channels 1 through 4 to -5 V

INP:OFFS? 3
-5.000

Returns the normalized input offset of -5 V for Channel 3

INPUT:POLARITY

The input polarity command selects the input polarity for one or more channels. When a channel is programmed for normal polarity, an interrupt will be generated when the input voltage is greater than the programmed input offset for the channel. The invert polarity will cause an interrupt when the input voltage is less than the programmed input offset for the channel.

INPut:POLarity <polarity>,<channel_list>

Where <polarity> is either NORMAL or INVerted

Where <channel_list> is the standard channel list format supporting channels 1 through 16.

EXAMPLES

INPut:POLarity NORM,(@3:5)

Sets the input polarity for Channels 3 through 5 to NORMAL. This will generate an interrupt when the input signal on Channels 3, 4 or 5 is greater than the input offset.

INPut:POLarity? 5
NORM

Returns the input polarity for Channel 5 as NORMAL

INP:POL INV,(@6)

Sets input polarity for Channel 6 to invert.

INPUT:RANGE

The input range command selects the input range of one or more channels. The input range may be either set for ± 10 volts or ± 100 volts. It is important to note that the input offset is normalized to ± 10 volt range. The actual input offset in the 100 volt range is ten times the set value.

INPut:RANGe <range>,<channel_list>

Where <range> is 10 V / 100 V.

Where <channel_list> is the standard channel list format supporting channels 1 through 16.

EXAMPLES

INPut:RANGe 100,(@1:16)

Sets the input range for Channels 1 through 16 to 100 V.

INPut:RANGe? 7
100

Returns the input range for Channel 7 as 100 V.

INP:RANG 10,(@4:6)

Sets the input range for Channels 4 through 6 to 10 V.

INP:RANG? 5
10

Returns the input range for Channel 5 as 10 V.

OUTPUT:POLARITY:EXTERNAL:INTERRUPT

The output polarity external interrupt command sets the polarity of the front panel interrupt output. When the polarity is set to normal, the output will be low when there is an interrupt event. When the polarity is set to invert, the output will be high when there is an interrupt event.

OUTPut:POLArity:EXTernal:INTerrupt <polarity> ***Where <polarity> is either NORMAL or INVert.***

EXAMPLES

OUTPut:POLArity:EXTernal:INTerrupt NORM	<i>Sets the external interrupt output polarity to a low pulse (NORMAL), when an interrupt occurs.</i>
OUTPut:POLArity:EXTernal:INTerrupt? NORM	<i>Returns the external interrupt output polarity as NORMAL.</i>
OUTP:POL:EXT:INT INV	<i>Sets the external interrupt output polarity to INVert.</i>
OUTP:POL:EXT:INT? INV	<i>Returns the polarity of the external interrupt output as INVert.</i>

OUTPUT:POLARITY:EXTERNAL:LATCHED

The output polarity external latched command sets the polarity of the front panel latched interrupt output. When the polarity is set to normal, the output will be low when there is an interrupt event. When set to invert, the output will be high when there is an interrupt event.

OUTPut:POLArity:EXTernal:LATChed <polarity>

Where <polarity> is either NORMAL or INVerted.

EXAMPLES

OUTPut:POLArity:EXTernal:LATChed NORM

Sets the external latched output polarity to low when an interrupt occurs.

OUTPut:POLArity:EXTernal:LATChed?
NORM

Returns the external latched output polarity as NORMAL.

OUTP:POL:EXT:LATC INV

Sets the external latched output polarity to high when an interrupt occurs.

OUTP:POL:EXT:LATC?
INV

Returns the external latched output polarity as INVert.

APPLICATION EXAMPLES

This section contains examples of using SCPI command strings for programming the VM4016 module. The code is functional and will contain a brief description about the operation.

Example 1

In this example, the VM4016 sets the output interrupt polarity on the front panel and the debounce time period for the digital debounce circuitry.

OUTPut:POLarity:EXTernal:INTerrupt NORM *Sets the external interrupt output polarity to high pulse when an interrupt occurs.*

INPut:DEBounce 25e-6 *Sets input debounce time for all channels to 25 μ s. This will not allow a signal to generate an interrupt unless the channel is active for greater than 25 μ s.*

Example 2

In this example, the VM4016 enables or disables the specified channels for interrupt generation, sets the offset, polarity and voltage range. It returns the value of First Latched register which records the first input channel to cross its threshold and queries the current state of inputs.

INP:MASK 1,(@1,2) *Enables Channels 1 and 2 for interrupt generation.*

INP:MASK 0,(@3:16) *Disables Channels 3 through 16 from generating an interrupt.*

INP:RANG 10,(@1,2) *Selects ± 10 volts as the input range for Channel 1 and 2.*

INP:OFFS +5.25,(@1,2) *Selects +5.25 volts as the offset voltage for Channels 1 and 2.*

INP:POL NORM,(@1,2) *Selects both Channel 1 and 2 to generate an interrupt when Channels 1 and 2 are greater than the offset voltage.*

FETC:LATC? *Returns the active signal in the First Latched Register.*

FETC:RAW?
65535 *Returns the State of unconditioned (unmasked and non-inverted) inputs.*

FETC:COND?
3 *Returns the state of masked and inverted inputs.*

SINGLE CHANNEL OPERATION

This example is for controlling a device that can tolerate a maximum input voltage level at +35 VDC for a maximum time of 250 ms before damage will occur. The input power to this device is provided from a remote source that can be disabled. A low signal applied to the power source remote inhibit will disable its output. The controller will then be notified that an out-of-tolerance condition has occurred and the device was shut down.

The following code is for monitoring a single input for voltage level that exceeds +35VDC for longer than 250 ms. A low latched output is required to be generated upon detection of the interrupt that is used to inhibit the remote power source.

<u>COMMANDS</u>	<u>DESCRIPTION</u>
INP:RANG 100,(@1)	<i>Selects ±100 volts as the input range for Channel 1.</i>
INP:DEB 0.25	<i>Sets the debounce time limit to 250 ms.</i>
INP:MASK 1,(@1)	<i>Enables Channel 1 to generate an interrupt.</i>
INP:MASK 0,(@2:16)	<i>Disables Channels 2 through 16 from generating an interrupt.</i>
INP:POL NORM,(@1)	<i>Selects Channel 1 to generate an interrupt when Channel 1 is greater than the offset voltage.</i>
INP:OFFS +3.5,(@1)	<i>Selects +35.0 volts as the offset (reference) voltage.</i>
OUTP:POL:EXT:LATC INV	<i>Sets the external latched output to be active low.</i>

Figure 3-1 and the explanation that follows illustrates what is occurring during this example.

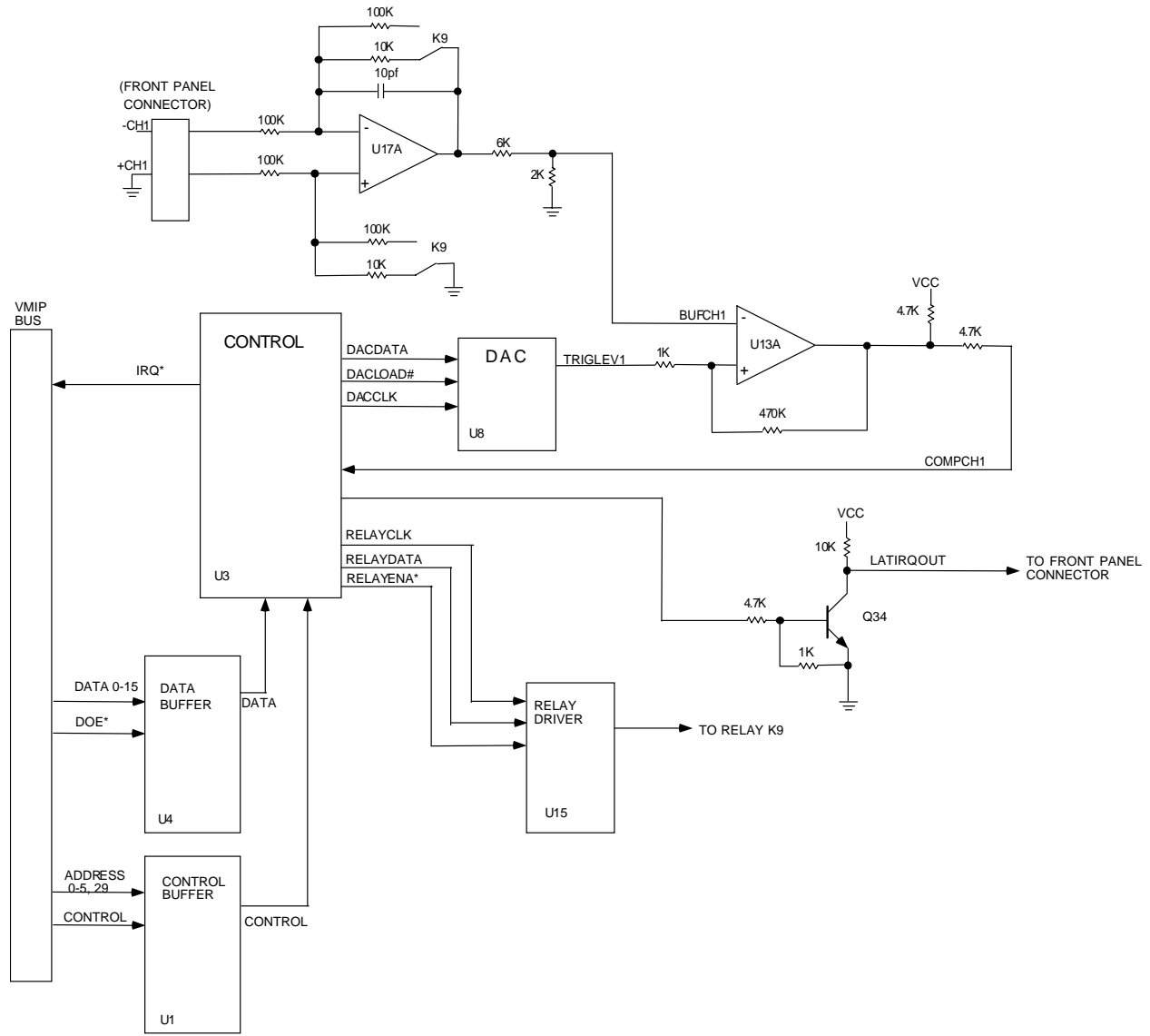


FIGURE 3-1: SINGLE CHANNEL OPERATION

Due to the type of signal being monitored, input channel +CH1 is grounded. The command and data for the SCPI command **INP:RANG** is received by the control (U1) and data (U4) buffers and routed to the control FPGA (U3). The control FPGA converts the parallel data for the relay drivers into a serial data stream. This data (RELAYDATA) is synched to the 10 MHz (RELAYCLK) and written into the relay drivers when (RELAYENA*) goes low. The relay drivers will energize relay K9 selecting a gain of 0.1 for the differential amplifier U17A.

The command and data for the SCPI command **INP:DEB** is received by the control (U1) and data (U4) buffers and routed to the control FPGA (U3). The register for the debounce circuitry is contained internally in the control FPGA. The debounce register will be loaded with a value that corresponds to a 250 ms time delay.

The commands and data for the SCPI commands **INP:MASK** are received by the control (U1) and data (U4) buffers and routed to the control FPGA (U3). The mask register circuitry is contained internally in the control FPGA. This register will be loaded so that Channels 2 through 16 are disabled or masked out.

The command for the SCPI command **INP:POL** is received by the control (U1) and data (U4) buffers and routed to the control FPGA (U3). The mask register and debounce circuitry uses this command to determine whether the input signal is an active high or an active low. The input polarity has been programmed to **NORM** to cause U3 to treat the input signal as an active high.

The commands and data for the SCPI command **INP:OFFS** are received by the control (U1) and data (U4) buffers and routed to the control FPGA (U3). The control FPGA will convert the parallel data for the DAC (U8) into a serial data stream. This data (DACDATA) is synched to the 10 MHz gated clock (DACCLK) and loaded into the DAC when the (DACLOAD) signal goes high.

The command for the SCPI command **OUTP:POL:EXT:LATC** is received by the control (U1) and data (U4) buffers and routed to the control FPGA (U3). The latch register uses this command to determine whether the output signal should be an active high or an active low. This was programmed for **INV** to cause U3 to output an active low EXTLATIRQ signal to the front panel connector when an interrupt occurs.

Now that the VM4016 is configured, it can be determined how this works. The output of the differential amplifier U17A (BUFCH1) is voltage divided by 4. Since the gain of U17A is 0.1, this makes BUFCH1 0.875 V when -CH1 reaches +35.0 V. BUFCH1 is compared with the output of U8 (TRIGLEV1) by comparator U13A. When BUFCH1 is greater than TRIGLEV1 the output of U13A (COMPCH1) goes low. COMPCH1 is routed to the debounce circuitry inside U3.

The debounce circuitry will count down for 250 ms before clocking through COMPCH1. This circuitry is used to mask out transients from generating false interrupts. When the 250 ms time limit has expired, U3 clocks COMPCH1 into the mask register. The mask register will AND COMPCH1 with the mask value (0001). The mask register passes COMPCH1 to a 16 input OR'ing function that determines which Channel was first to cross its threshold. The output of this OR'ing then latches into the "First Latch Register". This signal, arbitrarily called FIRSTLATCHED, clocks an internal latch that drives the base of Q34. Q34 conducts and drives a low out on the front panel connector signal EXTLATIRQ. When an interrupt condition is detected by U3 a VXI IRQ* is generated to the VMIP bus.

BRACKETING A VOLTAGE

In this example, an input voltage level will be bracketed for an over or under-voltage error condition. The input voltage of 5.0 V will be monitored for an over-voltage of 5.25 V and an under-voltage of 4.75 V. The error condition must be true for longer than 750 μ s. An interrupt will be generated if either of these conditions occur. Channel 1 will use for an over-voltage and Channel 2 for an under-voltage. Channel 1 and Channel 2 positive (+) sides will be tied together externally. Channel 1 and Channel 2 negative (-) sides will be grounded. The output interrupt will not be latched but will be pulsed.

<u>COMMANDS</u>	<u>DESCRIPTION</u>
INP:RANG 10,(@1,2)	<i>Selects ± 10 Volts as the input range for Channel 1 and 2.</i>
INP:DEB 75e-5	<i>Sets the debounce time limit to 750 μs.</i>
INP:MASK 1,(@1,2)	<i>Enables Channel 1 or 2 to generate an interrupt.</i>
INP:MASK 0,(@3:16)	<i>Disables Channels 3 through 16 from generating an interrupt.</i>
INP:POL NORM,(@1)	<i>Selects Channel 1 to generate an interrupt when Channel 1 is greater than the offset voltage.</i>
INP:POL INV,(@2)	<i>Selects Channel 2 to generate an interrupt when Channel 2 is less than the offset voltage.</i>
INP:OFFS +5.25,(@1)	<i>Selects +5.25 volts as the offset (reference) voltage for Channel 1.</i>
INP:OFFS +4.75,(@2)	<i>Selects +4.75 volts as the offset (reference) voltage for Channel 2.</i>
OUTP:POL:EXT:INT NORM	<i>Sets the external interrupt output to be active high.</i>

Figure 3-2 and the explanation that follows illustrates what is occurring during this example.

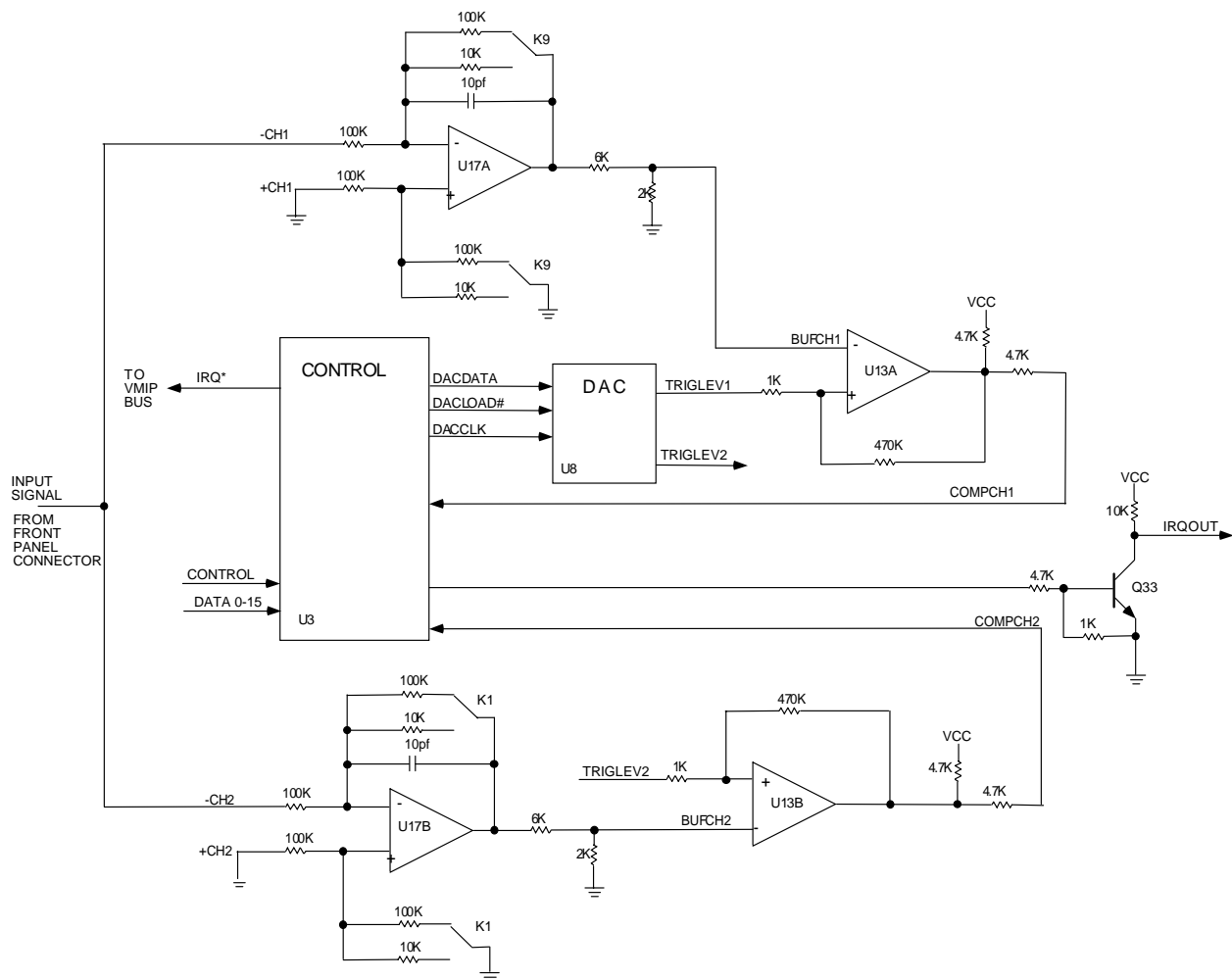


FIGURE 3-2: BRACKETING AN INPUT VOLTAGE

The command and data for the SCPI command **INP:RANG** are received by the control (U1) and data (U4) buffers (not shown for clarity) and routed to the control FPGA (U3). The control FPGA converts the parallel data for the relay drivers into a serial data stream. This data (RELAYDATA) is synced to the 10 MHz (RELAYCLK) and written into the relay drivers when (RELAYENA*) goes low. The relay drivers de-energize relays K9 and K1 selecting a gain of 1.0 for the differential amplifiers at U17A and U17B.

The command and data for the SCPI command **INP:DEB** are received by the control (U1) and data (U4) buffers and routed to the control FPGA (U3). The register for the debounce circuitry is contained internally in the control FPGA. The register will be loaded with a value that corresponds to a 750 μ s time delay.

The commands for the SCPI commands **INP:MASK** are received by the control (U1) and data (U4) buffers and routed to the control FPGA (U3). The mask register circuitry is contained internally in the control FPGA. This register will be loaded so that Channels 3 through 16 are disabled or masked out.

The command for the SCPI command **INP:POL** is received by the control (U1) and data (U4) buffers and routed to the control FPGA (U3). Channel 1 has been programmed this to **NORM** so that the debounce and mask circuitry will treat as an active high. Channel 2 has been programmed as **INV**, causing the debounce and mask circuitry to treat Channel 2 as an active low.

The command and data for the SCPI command **INP:OFFS** are received by the control (U1) and data (U4) buffers and routed to the control FPGA (U3). The control FPGA will convert the parallel data for the DAC (U8) into a serial data stream. This data (DACDATA) is synched to the 10 MHz gated clock (DACCLK) and loaded into the DAC when the (DACLOAD) signal goes high. The DAC output (TRIGLEV#) where # is equal to the Channel number. The DAC will output TRIGLEV1 for the comparator at U13A and TRIGLEV2 for the comparator at U13B.

The commands for the SCPI command **OUTP:POL:EXT:INT** are received by the control (U1) and data (U4) buffers and routed to the control FPGA (U3). U3 uses this command to determine whether the external interrupt signal should be an active high or an active low. This has been programmed to **NORM** so as to cause U3 to output an active high EXTIRQ signal to the front panel connector when an interrupt occurs. This signal will be a pulse 500 ns wide.

The output of the differential amplifier U17A (BUFCH1) is voltage divided by 4. Since the gain of U17A is 1.0, this makes BUFCH1 1.250 V when -CH1 reaches +5.0 V. BUFCH1 is compared with the output of U8 (TRIGLEV1) by comparator U13A. When BUFCH1 is *greater* than TRIGLEV1 the output of U13A (COMPCH1) goes *low*. COMPCH1 is routed to the debounce circuitry inside U3.

The output of the differential amplifier U17B (BUFCH2) is voltage divided by 4. Since the gain of U17B is 1.0 this makes BUFCH2 1.250 V when -CH2 reaches +5.0 V. BUFCH2 is compared with the output of U8 (TRIGLEV2) by comparator U13B. When BUFCH2 is *less* than TRIGLEV2 the output of U13B (COMPCH2) goes *high*. COMPCH2 is routed to the debounce circuitry inside U3. Note that the only difference in the way these two circuits are working is the output of the comparator U13B is inverted from the output of U13A. This inversion will allow us to determine if an under-voltage has occurred. Assume that -CH2 has fallen below +4.75 V. The output of U13B is now high.

The debounce circuitry will count down for 750 μ s before clocking through COMPCH2. When the 750 μ s time limit has expired, U3 clocks COMPCH2 into the mask register. The mask register will AND COMPCH2 with the mask value (0003). The mask register passes COMPCH2 to a 16 input OR'ing function that determines which channel was first to cross its threshold, in this case COMPCH2. The output of this OR'ing then latches into the "First Latch Register". This signal, arbitrarily named FIRSLATCHED, clocks a series of internal latches that will stretch the pulse to 500 ns. This pulse drives the base of Q33 low causing Q33 to shut off and the pull-up resistor provides a high on the front panel connector signal EXTIRQ. When an interrupt condition is detected by U3 a VXI IRQ* is generated to the VMIP bus.

REGISTER ACCESS EXAMPLES

TABLE 3-1: REGISTER MAP

3E	
3C	
3A	
38	Interrupt enable (write only, pseudo only)
36	
34	
32	
30	First latched (read only)
2E	
2C	
2A	
28	Conditioned (read only)
26	
24	
22	
20	Raw (read only)
1E	
1C	
1A	
18	
16	
14	
12	
10	
E	
C	
A	
8	
6	
4	
2	
0	

The VM4016 module supports direct register access for very high-speed data retrieval. The register map is as specified in Table 3-1.

In order to access the raw data using register access, the register at offset 0x20 must be read. Each bit in this register corresponds to the state of the 16 channel inputs (unmasked and non-inverted). Bit 1 corresponds to Channel 1, Bit 2 corresponds to Channel 2 and so on. This information can also be accessed using the Word Serial **FETC:RAW?** query.

In order to access the conditioned data using register access, the register at offset 0x28 must be read. Each bit in this register corresponds to the state of the 16 channel inputs (masked and inverted). Bit 1 corresponds to Channel 1, Bit 2 corresponds to Channel 2 and so on. This information can also be accessed using the Word Serial **FETC:COND?** query.

In order to access the first latched information using register access, the register at offset 0x30 must be read. Each bit in this register corresponds to the state of the 16 channel inputs. Bit 1 corresponds to Channel 1, Bit 2 corresponds to Channel 2 and so on. This information can also be accessed using the Word Serial **FETC:LATC?** query.

For example:

- a) if a value of 0x8000 is read from the first latched register, then it means that Channel 16's input has caused a latching.
- b) if a value of 0xF000 is read from the first latched register, then it means that Channels 13 through 16 have caused a latching.

The Interrupt Enable register is a write-only register on which write operations take effect only in the Pseudo mode. In order to enable backplane interrupting, any non-zero value must be written to this register at offset 0x38. Writing a zero to this register will disable any backplane interrupting. It must be noted that in non-pseudo mode, any writes to this register will take no effect. Backplane interrupting can also be enabled/disabled using the Word Serial **INHOUSE:REG_ENABLE** command.

PSEUDO REGISTER ACCESS

The VM4016 can be operated upon using (a) Word Serial Commands or (b) Register Access.

The VM4016 allows two types of register accesses (a) Direct Register Access using Hardware registers (b) Pseudo Register Access. This can be configured using the **INHOUSE:PSEUDO** command.

Direct Register Access is much faster than Pseudo Register Access. However, the former does not provide certain features provided by the latter. Using Pseudo Register Access (a) a register read of **FIRST LATCHED** data allow another **FIRST LATCHED** event to occur (b) allows for clearing of the first latched register upon register access rather than a Word Serial **FETC:LATC?** and (c) allows configuration of the type of backplane interrupting.

The module can be enabled for backplane interrupts using the **INHOUSE:REG_ENABLE** command. It can also be done by writing a non-zero value to the Interrupt Enable Register at offset 0x38 provided the module has been configured for Pseudo register access. The module can be instructed to clear the first latched register on register access/WS read using the **INHOUSE:CLEAR_LATCH** command. When VXIbus backplane interrupting is enabled, the module will generate interrupts whenever latching of the first latched register takes place. If a Pseudo register access of the first latched register at offset 0x30 is performed or a Word Serial read (using **FETC:LATC?**) is performed, the latch register gets cleared allowing further latching to occur provided the module has been instructed to clear the first latched register. If the clearing of the first latched register is disabled, after the first latching takes place, the module cannot generate backplane interrupts.

Using the Direct Register Access, backplane interrupts are generated when the latching takes place for the first time. For further interrupting to occur, the Word Serial **FETC:LATC?** query must be performed.

Two types of backplane interrupts can be generated. They are (a) the reqt/reqf (in response to an **IACK** cycle) or (b) a single backplane interrupt. This can be configured using the **INHOUSE:REGINT** command. However, it must be noted that the module can be configured for only for mode at any given point of time. The former mode provides compatibility with the VXI standards and is the default mode. The latter allows for faster processing since it cuts down servicing of interrupts by 50% (since only 1 interrupt needs to be serviced for each latch event).

VXIPLUG&PLAY DRIVER EXAMPLES

```

/*****
Function:   vtv4016_setup_and_read_data
Formal Parameters
    ViSession  instr_hdl
    - A valid sessionhandle to the instrument.

    ViInt16 channel_list[]
    - This parameter specifies the channels which are to be setup.
    Only the specified channels will be enabled, the rest will be
    disabled.

    Each channel number in the array has the range :
        vtv4016_MIN_CHANNEL_NO (1) to
        vtv4016_MAX_CHANNEL_NO (16)

    ViInt16 num_of_channels
    - This parameter specifies the number of channels in the channel
    list.

    Valid Range:
        vtv4016_MIN_CHANNEL_NO (1) to
        vtv4016_MAX_CHANNEL_NO (16)

    ViReal32 offset[],
    - This parameter specifies the offset voltage to be configured for
    the input channels.

    Valid Range:
        vtv4016_MIN_VOLTAGE_LEVEL (-10.00 V) to
        vtv4016_MAX_VOLTAGE_LEVEL (9.96 V)

    ViInt16 polarity[]
    - This parameter specifies the polarity to be configured for the
    specified channels.

    Valid Range:
        vtv4016_INVERTED_POLARITY (0) or
        vtv4016_NORMAL_POLARITY (1)

    ViInt16 voltage_range[]
    - This parameter specifies the voltage range to be configured for
    the specified channels.

    Valid Range:
        vtv4016_10VOLTS_RANGE (0) or
        vtv4016_100VOLTS_RANGE (1)

```

ViPInt16 first_latched_reg
 - This parameter returns the first input channel which crosses the programmed threshold voltage.

ViPInt16 raw_data
 - This returns the 16 bit value that represents the current unconditioned [raw] state of the inputs.

ViPInt16 conditioned_data
 - This returns the 16 bit value that represents the current conditioned state of the inputs.

Return Values: Returns VI_SUCCESS if successful, else returns error value.

Description This is an application function that shows how the user can use core functions to enable/disable the specified channels for interrupt generation and configure the specified channels' various parameters such as offset, polarity and voltage-range. It returns the value of the First Latched register which records the first input channel to cross its threshold and queries the current state of the inputs. Note that this function resets the module to its default state.

```

*****/
ViStatus_VI_FUNC vtm4016_setup_and_read_data(ViSession instr_hdl,
      ViInt16 channel_list[],ViInt16 num_of_channels,ViReal32
      offset[],ViInt16 polarity[],ViInt16 voltage_range[],
      ViPInt16 first_latched_reg,ViPInt16 raw_data,
      ViPInt16 conditioned_data)

{
/* Variable used to store return status of the function */
  ViStatus status = VI_NULL;

/* Reset to the default state */
  status = vtm4016_reset(instr_hdl);
  if (status < VI_SUCCESS)
    return status;

/* Function to enable the selected channels to cause interrupt */
  status = vtm4016_enable_disable_channels (instr_hdl,
      vtm4016_ENABLE_CHANNEL, channel_list, num_of_channels);
  if (status < VI_SUCCESS)
    return vtm4016_ERROR_MASK_OR_UNMASK_CHANNELS;
}

```

```
/* Function to set the offset, polarity and voltage range to the channels */
    status = vtv4016_config_channels ( instr_hdl,          channel_list,
                                     num_of_channels, offset, polarity, voltage_range);
    if (status < VI_SUCCESS)
        return vtv4016_ERROR_SETTING_CHANNELS;

/* Function to query the first latched register */
    status = vtv4016_query_latched_reg(instr_hdl, first_latched_reg);
    if (status < VI_SUCCESS)
        return vtv4016_ERROR_QUERYING_LATCHED_REG;

/* Function to query the Raw data */
    status = vtv4016_read_data (instr_hdl,
                               vtv4016_READ_RAW_DATA, raw_data);
    if (status < VI_SUCCESS)
        return vtv4016_ERROR_READING_RAW_DATA;

/* Function to query the Conditioned data */
    status = vtv4016_read_data (instr_hdl,
                               vtv4016_READ_CONDITIONED_DATA, conditioned_data);
    if (status < VI_SUCCESS)
        return vtv4016_ERROR_READING_CONDITIONED_DATA;

return VI_SUCCESS;
```

SECTION 4

COMMAND DICTIONARY

INTRODUCTION

This section presents the instrument command set. It begins with an alphabetical list of all the commands supported by the VM4016 divided into three sections: IEEE 488.2 commands, the instrument specific SCPI commands and the required SCPI commands. With each command is a brief description of its function, whether the command's value is affected by the *RST command and its *RST value.

The remainder of this section is devoted to describing each command, one per page, in detail. Every command entry describes the exact command and query syntax, the use and range of parameters and a complete description of the command's purpose.

ALPHABETICAL COMMAND LISTING

The following tables provide an alphabetical listing of each command supported by the VM4016 along with a brief description. If an X is found in the column titled *RST, then the value or setting controlled by this command is possibly changed by the execution of the *RST command. If no X is found, then *RST has no effect. The default column gives the value of each command's setting when the unit is powered up or when a *RST command is executed.

TABLE 4-1: IEEE 488.2 COMMON COMMANDS

Command	Description	*RST	RST Value
*CLS	Clears the Status Register	X	
*ESE	Sets the Event Status Enable Register	X	
*ESR?	Query the Standard Event Status Register		N/A
*IDN?	Query the module identification string		N/A
*OPC	Set the OPC bit in the Event Status Register		
*RST	Resets the module to a known state		N/A
*SRE	Set the service request enable register		
*STB?	Query the Status Byte Register		
*TRG	Causes a trigger event to occur		
*TST?	Starts and reports a self-test procedure		N/A
*WAI	Halts execution and queries	X	

TABLE 4-2: INSTRUMENT SPECIFIC SCPI COMMANDS

Command	Description	RST	RST Value
FETCh:CONDitioned?	Reads back the 16-bit value that represents the current conditioned (masked and inverted) output state of the comparators in the group.		
FETCh:LATChed?	Read back the 16-bit value that was latched when the first input(s) in the group caused an active edge.		
FETCh:RAW?	Reads back the 16-bit value that represents the current unconditioned (no masking or inversion) output state of the comparators in the group.		
INHOUSE:PSEUDO	Sets the type of register interface used.		
INHOUSE:REGINT	Controls type of interrupt response	X	0
INHOUSE:REG_ENABLE	Interrupt masking	X	0
INHOUSE:CLEAR_LATCH	Controls clearing of first latched information.	X	0
INPut:DEBounce	This sets the debounce timing on a group of the analog comparators.	X	19.2 μ s
INPut:MASK	Sets the masking for a group of channels	X	0
INPut:MASK:INTerrupt	Enable or disable interrupt generation when changing MASKs	X	0
INPut:OFFSet	Sets the comparator threshold for a group of channels.	X	0.469 V
INPut:POLarity	Sets the polarity for a group of channels.	X	NORMAL
INPut:RANGe	Sets the range for a group of channels.	X	100
OUTPut:POLarity:EXTernal:INTerrupt	Sets the polarity for the interrupt output on the front panel for one of the three groups.	X	NORMAL
OUTPut:POLarity:EXTernal:LATChed	Sets the polarity for latched interrupt output on the front panel for one of the three groups.	X	NORMAL

TABLE 4-3: SCPI REQUIRED COMMANDS

Command	Description	*RST	*RST Value
STATus:OPERation:CONDition?	Queries the Operation Status Condition Register.	X	
STATus:OPERation:ENABLE	Sets the Operation Status Enable Register.	X	
STATus:OPERation[:EVENT]?	Queries the Operation Status Event Register.	X	
STATus:PRESet	Presets the Status Register.	X	
STATus:QUEStionable:CONDition?	Queries the Questionable Status Condition Register	X	
STATus:QUEStionable:ENABLE	Sets the Questionable Status Enable Register.	X	
STATus:QUEStionable[:EVENT]?	Queries the Questionable Status Event Register	X	
SYSTem:ERRor?	Queries the Error Queue	X	Clears Queue
SYSTem:VERsion?	Queries which version of the SCPI standard the module complies with		N/A

COMMAND DICTIONARY

The remainder of this section is devoted to the actual command dictionary. Each command is fully described on its own page. In defining how each command is used, the following items are described:

Purpose	Describes the purpose of the command.
Type	Describes the type of command such as an event or setting.
Command Syntax	Details the exact command format.
Command Parameters	Describes the parameters sent with the command and their legal range.
Reset Value	Describes the values assumed when the *RST command is sent.
Query Syntax	Details the exact query form of the command.
Query Parameters	Describes the parameters sent with the command and their legal range. The default parameter values are assumed the same as in the command form unless described otherwise.
Query Response	Describes the format of the query response and the valid range of output.
Description	Describes in detail what the command does and refers to additional sources.
Examples	Present the proper use of each command and its query (when available).
Related Commands	Lists commands that affect the use of this command or commands that are affected by this command.

COMMON SCPI COMMANDS

*CLS

Purpose	Clears all status and event registers	
Type	IEEE 488.2 Common Command	
Command Syntax	*CLS	
Command Parameters	N/A	
*RST Value	N/A	
Query Syntax	N/A	
Query Parameters	N/A	
Query Response	N/A	
Description	This command clears the Status Event Register, Operation Status Register and the Questionable Data/Signal Register. It also clears the OPC flag and clears all queues (except the output queue).	
Examples	Command / Query	Response / Descriptions
	*CLS	<i>(Clears all status and event registers)</i>
Related Commands	N/A	

***ESE**

Purpose	Sets the bits of the Event Status Enable Register	
Type	IEEE 488.2 Common Command	
Command Syntax	*ESE <mask>	
Command Parameters	<mask> = numeric ASCII value	
*RST Value	N/A, the parameter is required	
Query Syntax	*ESE?	
Query Parameters	N/A	
Query Response	Numeric ASCII value from 0 to 255	
Description	<p>The Event Status Enable (ESE) command is used to set the bits of the Event Status Enable Register. See ANSI/IEEE 488.2-1987 section 11.5.1 for a complete description of the ESE register. A value of 1 in a bit position of the ESE register enables generation of the Event Status Bit (ESB) in the Status Byte by the corresponding bit in the Event Status Register (ESR). If the ESB is set in the Service Request Enable (SRE) register, then an interrupt will be generated. See the *ESR? command for details regarding the individual bits. The ESE register layout is:</p> <ul style="list-style-type: none"> Bit 0 - Operation Complete Bit 1 - Request Control Bit 2 - Query Error Bit 3 - Device Dependent Error Bit 4 - Execution Error Bit 5 - Command Error Bit 6 - User Request Bit 7 - Power On <p>The Event Status Enable query reports the current contents of the Event Status Enable Register.</p>	
Examples	Command / Query	Response (Description)
	*ESE 36	
	*ESE?	36 (Returns the value of the event status enable register)
Related Commands	*ESR?	

***ESR?**

Purpose	Queries and clears the Standard Event Status Register	
Type	IEEE 488.2 Common Command	
Command Syntax	N/A	
Command Parameters	N/A	
*RST Value	N/A	
Query Syntax	ESR?	
Query Parameters	N/A	
Query Response	Numeric ASCII value from 0 to 255	
Description	<p>The Event Status Register (ESR) query queries and clears the contents of the Standard Event Status Register. This register is used in conjunction with the ESE register to generate the Event Status Bit (ESB) in the Status Byte. The layout of the ESR is:</p> <ul style="list-style-type: none"> Bit 0 - Operation Complete Bit 1 - Request Control Bit 2 - Query Error Bit 3 - Device Dependent Error Bit 4 - Execution Error Bit 5 - Command Error Bit 6 - User Request Bit 7 - Power On <p>The Operation Complete bit is set when it receives an *OPC command.</p> <p>The Query Error bit is set when data is over-written in the output queue. This could occur if one query is followed by another without reading the data from the first query.</p> <p>The Execution Error bit is set when an execution error is detected. Errors that range from -200 to -299 are execution errors.</p> <p>The Command Error bit is set when a command error is detected. Errors that range from -100 to -199 are command errors.</p> <p>The Power On bit is set when the module is first powered on or after it receives a reset via the VXI Control Register. Once the bit is cleared (by executing the *ESR? command) it will remain cleared.</p>	
Examples	Command / Query	Response (Description)
	*ESR?	4
Related Commands	*ESE	

***IDN?**

Purpose	Queries the module for its identification string	
Type	IEEE 488.2 Common Command	
Command Syntax	N/A	
Command Parameters	N/A	
*RST Value	N/A	
Query Syntax	*IDN?	
Query Parameters	N/A	
Query Response	ASCII character string	
Description	The Identification (IDN) query returns the identification string of the module. The response is divided into four fields separated by commas. The first field is the manufacturer's name, the second field is the model number, the third field is an optional serial number and the fourth field is the firmware revision number. If a serial number is not supplied, the third field is set to 0 (zero).	
Examples	Command / Query	Response (<i>Description</i>)
	*IDN	VXI Technology, Inc.,VM4016,0,1.0 <i>(The revision listed here is for reference only; the response will always be the current revision of the instrument.)</i>
Related Commands	N/A	

***OPC**

Purpose	Sets the OPC bit in the Event Status Register	
Type	IEEE 488.2 Common Command	
Command Syntax	*OPC	
Command Parameters	N/A	
*RST Value	N/A	
Query Syntax	*OPC?	
Query Parameters	N/A	
Query Response	1	
Description	The Operation Complete (OPC) command sets the OPC bit in the Event Status Register when all pending operations have completed. The OPC query will return a 1 to the output queue when all pending operations have completed.	
Examples	Command / Query	Response (<i>Description</i>)
	*OPC *OPC?	(Sets the OPC bit in the Event Status Register) 1 (Returns the value of the Event Status Register)
Related Commands	*WAI	

***RST**

Purpose	Resets the module's hardware and software to a known state	
Type	IEEE 488.2 Common Command	
Command Syntax	*RST	
Command Parameters	N/A	
*RST Value	N/A	
Query Syntax	N/A	
Query Parameters	N/A	
Query Response	N/A	
Description	The Reset (RST) command resets the module's hardware and software to a known state. See the command index at the beginning of this chapter for the default parameter values used with this command.	
Examples	Command / Query	Response (Description)
	*RST	<i>(Resets the module)</i>
Related Commands	N/A	

***SRE**

Purpose	Sets the service request enable register	
Type	IEEE 488.2 Common Command	
Command Syntax	*SRE <mask>	
Command Parameters	<mask> = Numeric ASCII value from 0 to 255	
*RST Value	None – Required Parameter	
Query Syntax	*SRE?	
Query Parameters	N/A	
Query Response	Numeric ASCII value from 0 to 255	
Description	<p>The Service Request Enable (SRE) mask is used to control which bits in the status byte generate back plane interrupts. If a bit is set in the mask that newly enables a bit set in the status byte and interrupts are enabled, the module will generate a REQUEST TRUE event via an interrupt. See the *STB? Command for the layout of bits.</p> <p>Note: Bit 6 is always internally cleared to zero as required by IEEE 488.2 section 11.3.2.3.</p> <p>The layout of the Service Request Enable Register is:</p> <ul style="list-style-type: none"> Bit 0 – Unused Bit 1 – Unused Bit 2 – Error Queue Has Data Bit 3 – Questionable Status Summary (Not Used) Bit 4 – Message Available Bit 5 – Event Status Summary Bit 6 – 0 (per IEEE 488.2 section 11.3.2.3) Bit 7 – Operation Status Summary 	
Examples	Command / Query	Response (Description)
	*SRE 4	(Sets the service request enable register)
	*SRE?	4 (Returns the value of the SRE register)
Related Commands	N/A	

***STB?**

Purpose	Queries the Status Byte Register	
Type	IEEE 488.2 Common Command	
Command Syntax	N/A	
Command Parameters	N/A	
*RST Value	N/A	
Query Syntax	*STB?	
Query Parameters	N/A	
Query Response	Numeric ASCII value from 0 to 255	
Description	<p>The Read Status Byte (STB) query fetches the current contents of the Status Byte Register. See the IEEE 488.2 specification for additional information regarding the Status byte Register and its use. The layout of the Status Register is:</p> <ul style="list-style-type: none"> Bit 0 – Unused Bit 1 – Unused Bit 2 – Error Queue Has Data Bit 4 – Questionable Status Summary (not used) Bit 5 – Message Available Bit 6 – Master Summary Status Bit 7 – Operation Status Summary 	
Examples	Command / Query	Response (Description)
	*STB?	16 (<i>Queries the Status Byte Register</i>)
Related Commands	N/A	

***TRG**

Purpose	Causes a trigger event to occur	
Type	IEEE 488.2 Common Command	
Command Syntax	*TRG	
Command Parameters	N/A	
*RST Value	N/A	
Query Syntax	N/A	
Query Parameters	N/A	
Query Response	N/A	
Description	The Trigger command causes a trigger event to occur.	
Examples	Command / Query	Response (<i>Description</i>)
	*TRG	(<i>Triggers an event</i>)
Related Commands	N/A	

***TST?**

Purpose	Causes a self-test procedure to occur and queries the results	
Type	IEEE 488.2 Common Command	
Command Syntax	N/A	
Command Parameters	N/A	
*RST Value	N/A	
Query Syntax	*TST?	
Query Parameters	N/A	
Query Response	Numeric ASCII value from 0 to 143	
Description	The Self-Test query causes the VM4016 to run its self-test procedures and report on the results.	
Examples	Command / Query	Response (Description)
	*TST	0 (Begins the self-test procedure returns the result)
Related Commands	N/A	

***WAI**

Purpose	Halts execution of additional commands and queries until the No Operation Pending message is true	
Type	IEEE 488.2 Common Command	
Command Syntax	*WAI	
Command Parameters	N/A	
*RST Value	N/A	
Query Syntax	N/A	
Query Parameters	N/A	
Query Response	N/A	
Description	The Wait to Continue command halts the execution of commands and queries until the No Operation Pending message is true. This command makes sure that all previous commands have been executed before proceeding. It provides a way of synchronizing the module with its commander.	
Examples	Command / Query	Response (<i>Description</i>)
	*WAI	<i>(Pauses the execution of additional commands until the No Operation Pending message is true.)</i>
Related Commands	*OPC	

INSTRUMENT SPECIFIC SCPI COMMANDS

FETCh:CONDitioned?

Purpose	Returns the state of the conditioned (masked and inverted) inputs	
Type	Query	
Command Syntax	N/A	
Command Parameters	N/A	
*RST Value	N/A	
Query Syntax	FETCh:CONDitioned?	
Query Parameters	None	
Query Response	Numeric ASCII in the range of 0 to 65535	
Description	<p>The FETCh:CONDitioned query reports the 16-bit value that represents the current conditioned (masked and inverted) state of the inputs.</p> <p>This information is also available at the VXIbus register level at offset 0x28.</p>	
Examples	Command / Query	Response (<i>Description</i>)
	FETC:COND?	0 (<i>Returns the current conditioned state of the inputs</i>)
Related Commands	FETCh:RAW?	

FETCh:LATChed?

Purpose	Reports the active signals in the First Latched register	
Type	Query	
Command Syntax	N/A	
Command Parameters	N/A	
*RST Value	N/A	
Query Syntax	FETCh:LATChed?	
Query Parameters	N/A	
Query Response	Numeric ASCII in the range 0 to 65535	
Description	<p>The FETCh:LATChed query reports the active signals in the First Latched register. The First Latched register records the active signals when the first new input channel(s) crosses its threshold.</p> <p>This information is also available at the VXIbus register level at offset 0x30.</p>	
Examples	Command / Query	Response (<i>Description</i>)
	FETC:LATC?	1 (<i>Returns the active signal in the First Latched register.</i>)
Related Commands	INHOUSE:CLEAR_LATCH	

FETCh:RAW?

Purpose	Returns the state of the unconditioned (unmasked and non-inverted) inputs	
Type	Query	
Command Syntax	N/A	
Command Parameters	N/A	
*RST Value	N/A	
Query Syntax	FETCh:RAW?	
Query Parameters	N/A	
Query Response	Numeric ASCII in the range 0 to 65535	
Description	<p>The FETCh:RAW query reports the 16-bit value that represents the current unconditioned (unmasked and non-inverted) state of the inputs.</p> <p>This information is also available at the register level at offset 0x20.</p>	
Examples	Command / Query	Response (<i>Description</i>)
	FETC:RAW?	1 (<i>Returns the current unconditioned state of the inputs</i>)
Related Commands	FETCh:CONDitioned?	

INHOUSE:CLEAR_LATCH

Purpose	Controls whether the first latched information will be cleared when read by word serial or pseudo register access of the first latched register	
Type	Setting	
Command Syntax	INHOUSE:CLEAR_LATCH <boolean>	
Command Parameters	<boolean> = 0 1 OFF ON	
*RST Value	0	
Query Syntax	INHOUSE:CLEAR_LATCH?	
Query Parameters	N/A	
Query Response	ASCII numeric 0 or 1	
Description	<p>CLEAR_LATCH determines whether the first latched information will be cleared when the information is read. For some, this provides confidence that another interrupt has not occurred. The information is cleared with the word serial FETCh:LATChed? command. It is also cleared if PSEUDO is set and a register read of the first latched information occurs. The information is not cleared if a hardware register read is used. When the information is cleared, all following reads will return a value of 0 until a new first latched event occurs.</p> <p>Note: All letters of the command are required; there is no short form of the command.</p>	
Examples	Command / Query	Response (Description)
	INHOUSE:CLEAR_LATCH 1	
	INHOUSE:CLEAR_LATCH?	1
Related Commands	INHOUSE:PSEUDO FETCh:LATChed?	

INHOUSE:PSEUDO

Purpose	Controls the use of the register interface	
Type	Setting	
Command Syntax	INHOUSE:PSEUDO <boolean>	
Command Parameters	<boolean> = 0 1 OFF ON Factory Default = 1	
*RST Value	N/A	
Query Syntax	INHOUSE:PSEUDO?	
Query Parameters	N/A	
Query Response	ASCII numeric 0 or 1	
Description	<p>If INHOUSE:PSEUDO is set true (1 or ON), the instrument uses the pseudo register interface. If false (0 or OFF), the instrument uses the hardware register interface. The value set is implemented upon the next power cycle. This command does not take effect immediately.</p> <p>The pseudo register interface allows use of the REG_ENABLE capability as well as the CLEAR_LATCH capability from the registers. These capabilities are not available with the hardware register interface. The hardware register interface is much faster than the pseudo register interface (speeds are controller dependent but, as an example, with one controller a hardware register access takes about 0.5 μs while a pseudo register access takes about 25 μs). The hardware register, however, interface lacks the above two features.</p> <p>Pseudo registers are needed if the user wants to perform a register read or a word serial FETCh:LATChed? of FIRST LATCHED data in order to allow another FIRST LATCHED to occur. If pseudo is not set, then the user can read registers at hardware register speed but a word serial read FETCh:LATChed? is required to allow another FIRST LATCHED to occur. If pseudo is set, then the user can read the registers at pseudo register speed but the read of the latched data will allow a new FIRST LATCHED to occur. Pseudo also allows a register write to control the masking of interrupts for REGINT.</p> <p>Note: All letters of the command are required; there is no short form of the command.</p>	
Examples	Command / Query	Response (Description)
	INHOUSE:PSEUDO 1 INHOUSE:PSEUDO?	(Selects the PSEUDO register) 1 (Indicates that the PSEUDO register is selected)
Related Commands	INHOUSE:REG_ENABLE INHOUSE:CLEAR_LATCH	

INHOUSE:REGINT

Purpose	Controls the module's response type to an interrupt acknowledge cycle	
Type	Setting	
Command Syntax	INHOUSE:REGINT <boolean>	
Command Parameters	<boolean> = 0 1 OFF ON	
*RST Value	0	
Query Syntax	INHOUSE:REGINT?	
Query Parameters	N/A	
Query Response	ASCII numeric 0 or 1	
Description	<p>The INHOUSE:REGINT command controls the module's response type to an interrupt acknowledge cycle.</p> <p>When REGINT is set to false, the module uses reqt/reqf (request true/request false), provided the latched interrupt bit is set in the 'SRE'. A reqt (upper 8 bits are 0x7D) is generated for every latched event and a reqf (upper 8 bits are 0x7C) is generated for every reading of the latched information using either pseudo register access or word serial FETch:LATChed? Command.</p> <p>When REGINT is set to true, only one interrupt is generated every time a latching occurs. The upper 8 bits of the 16-bit SRE register on (0x7B).</p> <p>Note: All letters of the command are required; there is no short form of the command.</p>	
Examples	Command / Query	Response (<i>Description</i>)
	INHOUSE:REGINT 1	(Sets REGINT to true)
	INHOUSE:REGINT?	1 (Indicates that REGINT is set to true)
Related Commands	INHOUSE:REG_ENABLE INHOUSE:PSEUDO	

INHOUSE:REG_ENABLE

Purpose	Controls the masking of REGINT	
Type	Setting	
Command Syntax	INHOUSE:REG_ENABLE <boolean>	
Command Parameters	<boolean> = 0 1 OFF ON	
*RST Value	0	
Query Syntax	INHOUSE:REG_ENABLE?	
Query Parameters	N/A	
Query Response	ASCII numeric 0 or 1	
Description	<p>REG_ENABLE controls the masking of REGINT. If REG_ENABLE is zero, then no backplane interrupt can be generated. If REG_ENABLE is a non-zero number, then a backplane interrupt can be generated. If PSEUDO is set to on, then a write to the register at offset 0x38 also controls the masking - zero disables, a non-zero enables.</p> <p>This command is included for completeness. Enable/disable capabilities are provided in the pseudo register interface to allow a complete register interface. This command just provides that same capability in the word serial interface.</p> <p>Note: All letters of the command are required; there is no short form of the command.</p>	
Examples	Command / Query	Response (<i>Description</i>)
	INHOUSE:REG_ENABLE 1	
	INHOUSE:REG_ENABLE?	1
Related Commands	INHOUSE:PSEUDO INHOUSE:REGINT	

INPut:DEBounce

Purpose	Sets the debounce time	
Type	Setting	
Command Syntax	INPut:DEBounce <value>	
Command Parameters	<value> = 9.6 μ s to 0.6291456 s	
*RST Value	19.2 μ s	
Query Syntax	INPut:DEBounce?	
Query Parameters	N/A	
Query Response	Numeric ASCII value from 0.0000096 to 0.6291456	
Description	The INPut:DEBounce command sets the time period for the digital debounce circuitry. By programming a debounce time of 1 ms, an input must exceed its threshold level for a period of 1 ms before it is recognized as a valid input. The debounce resolution is 9.6 μ s. The debounce time set is applied to all channels.	
Examples	Command / Query	Response (Description)
	INP:DEB 9.6e-6 INP:DEB	(Sets a digital debounce time of 9.6 μ s) 0.0000096 (Indicates that the debounce time is set to 9.6 μ s)
Related Commands	None	

INPut:MASK

Purpose	Masks unused input channels	
Type	Setting	
Command Syntax	INPut:MASK <state>,<channel_list>	
Command Parameters	<channel_list> = standard channel list syntax supporting channels 1 to 16 <state> = ON 1 OFF 0	
*RST Value	0 for all channels	
Query Syntax	INPut:MASK? <channel>	
Query Parameters	<channel> = 1 to 16	
Query Response	Numeric ASCII value of 1 or 0	
Description	The INPut:MASK command selects which channels are enabled for input voltage comparison. When a channel is programmed to be ON or 1 then it is enabled to generate interrupts. If a channel is programmed to be OFF or 0, then it cannot generate VXIbus interrupts.	
Examples	Command / Query	Response (Description)
	INP:MASK 0,(@1:8) INP:MASK? 3	<i>(Makes Channels 1 – 8 incapable of generating VXIbus interrupts)</i> <i>0 (Indicates that Channel 3 is incapable of generating VXIbus interrupts.)</i>
Related Commands	None	

INPut:MASK:INTerrupt

Purpose	Enable or disable interrupt generation when changing MASKs	
Type	Setting	
Command Syntax	INPut:MASK:INTerrupt <boolean>	
Command Parameters	<boolean> = 0 1 OFF ON	
*RST Value	0	
Query Syntax	INPut:MASK:INTerrupt?	
Query Parameters	N/A	
Query Response	ASCII numeric 0 or 1	
Description	<p>The INPut:MASK:INTerrupt command enables or disables interrupt generation when changing MASK values. When set to 0 (the *RST state), interrupts are temporarily disabled whenever MASK values are changed. When set to 1, interrupts are generated even as MASK values are changed.</p> <p>When a MASK is first enabled, an interrupt is generated if a channel is beyond its threshold. To create an interrupt when this occurs, set this command to 1.</p> <p>Example 1: If a channel is set for NORMAl polarity and the channel's input is higher than its threshold, an interrupt is generated. This interrupt will be ignored when INPut:MASK:INTerrupt is set to 0. Only when the channel's input goes below its threshold, and then goes above the threshold for a period longer than the INPut:DEBounce time, will an interrupt be generated.</p> <p>Example 2: If a channel is set for NORMAl polarity and the channel's input is higher than its threshold, an interrupt is generated. This interrupt will be recognized when INPut:MASK:INTerrupt is set to 1. When the channel's input goes below its threshold, and then goes above the threshold for a period longer than the INPut:DEBounce time, another interrupt will be generated.</p>	
Examples	Command / Query	Response (<i>Description</i>)
	INP:MASK:INT 1	(Enables interrupt generation while changing mask values)
	INP:MASK:INT?	1 (Indicates that Input Mask Interrupt is enabled)
Related Commands	All INPut commands	

INPut:OFFSet

Purpose	Sets the input threshold for a group of channels										
Type	Setting										
Command Syntax	INPut:OFFSet <voltage_level>,<channel_list>										
Command Parameters	<voltage_level> = +9.96 volts to -10.00 volts. <channel_list> = standard channel list syntax supporting channels 1 to 16.										
*RST Value	0.496V for all channels										
Query Syntax	INPut:OFFSet? <channel>										
Query Parameters	<channel> = 1 to 16										
Query Response	ASCII numeric value from -10.00 to +9.96										
Description	<p>The INPut:OFFSet command sets the input threshold for a channel or group of channels, over which the input signal must cross to cause an interrupt event. This command sets the value in the 8-bit DAC to which the input signal is compared. It is important to note that the actual input offset value is affected by the INPut:RANGe command, as the response has been normalized to ± 10 V range. The actual input offset for the allowable ranges are as follows:</p> <table border="1" data-bbox="639 1020 1278 1119"> <thead> <tr> <th>Range</th> <th>Entered Threshold</th> <th>Actual Threshold</th> </tr> </thead> <tbody> <tr> <td>± 10.0</td> <td>x</td> <td>1.0x</td> </tr> <tr> <td>± 100.0</td> <td>x</td> <td>10.0x</td> </tr> </tbody> </table>		Range	Entered Threshold	Actual Threshold	± 10.0	x	1.0x	± 100.0	x	10.0x
Range	Entered Threshold	Actual Threshold									
± 10.0	x	1.0x									
± 100.0	x	10.0x									
Examples	Command / Query	Response (Description)									
	INP:RANG 100,(@9:16)	(Selects an input range of ± 100 V for Channels 9 - 16)									
	INP:OFFS 2.5,(@9:16)	(Selects an input threshold of 25 V for Channels 9 - 16)									
	INP:OFFS? 11	2.500 (Returns the set input threshold for Channel 11 of 25 V)									
	INP:RANG 10,(@1:8)	(Selects an input range of ± 10 V for Channels 1 - 8)									
	INP:OFFS 2.5,(@1:8)	(Selects an input threshold of 2.5 V for Channels 1 - 8)									
	INP:OFFS? 5	2.500 (Returns the set input threshold for Channel 11 of 2.5 V)									
Related Commands	INPut:RANGe <range>,<channel_list> INPut:POLarity <polarity>,<channel_list>										

INPut:POLarity

Purpose	Sets the input polarity for one or more channels	
Type	Setting	
Command Syntax	INPut:POLarity <polarity>,<channel_list>	
Command Parameters	<polarity> = NORMAl INVert <channel_list> = standard channel list syntax supporting channels 1 to 16	
*RST Value	NORMAl for all channels	
Query Syntax	INPut:POLarity? <channel>	
Query Parameters	<channel> = 1 to 16	
Query Response	ASCII string = NORM INV	
Description	The INPut:POLarity command selects the input polarity for one or more channels. When a channel is programmed for normal polarity, an interrupt will occur when the input voltage is greater than the programmed input offset for the channel. The invert polarity will cause an interrupt when the input voltage is less than the programmed input offset for the channel.	
Examples	Command / Query	Response (Description)
	INP:POL INV,@5:12 INP:POL? 6	(Inverts the input polarity for Channels 5 - 12) INV (Indicates the polarity for Channel 6 is inverted)
Related Commands	INPut:OFFset INPut:RANGe	

INPut:RANGe

Purpose	Sets the input range for one or more channels	
Type	Setting	
Command Syntax	INPut:RANGe <range>,<channel_list>	
Command Parameters	<range> = 10 100 <channel_list> = standard channel list syntax supporting channels 1 to 16	
*RST Value	100 for all channels	
Query Syntax	INPut:RANGe? <channel>	
Query Parameters	<channel> = 1 to 16	
Query Response	Numeric ASCII value = 10 100	
Description	<p>The Input Range command selects the input range of one or more channels. The input range may be set for ± 10 volts or ± 100 volts.</p> <p>Note: The input offset is normalized to the ± 10 volt range. The actual input offset in the 100 volt range is ten times the set value.</p>	
Examples	Command / Query	Response (Description)
	INP:RANG 100,@1,3,5,7	(Sets the input range for Channels 1, 3, 5, and 7 to 100 V)
	INP:RANG? 7	100 (Returns the set input range for Channel 7)
Related Commands	INPut:OFFset <voltage_level>,<channel_list>	

OUTPut:POLarity:EXTernal:INTerrupt

Purpose	Sets the interrupt output polarity on the front panel	
Type	Setting	
Command Syntax	OUTPut:POLarity:EXTernal:INTerrupt <polarity>	
Command Parameters	<polarity> = NORMAl INVert	
*RST Value	NORMAl	
Query Syntax	OUTPut:POLarity:EXTernal:INTerrupt?	
Query Parameters	N/A	
Query Response	ASCII string = NORM INV	
Description	The OUTput:POLarity:EXTernal:INTerrupt command sets the polarity of the front panel interrupt output. When the polarity is set for normal, the output will be high when there is an interrupt event. When set for invert, the output will be low when there is an interrupt event.	
Examples	Command / Query	Response (<i>Description</i>)
	OUTP:POL:EXT:INT NORM OUTP:POL:EXT:INT?	<i>(Sets the front panel interrupt output polarity to normal)</i> NORM <i>(Returns the set value for the front panel interrupt output polarity)</i>
Related Commands	None	

OUTPut:POLarity:EXTernal:LATChed

Purpose	Sets the latched interrupt output polarity on the front panel	
Type	Setting	
Command Syntax	OUTPut:POLarity:EXTernal:LATChed <polarity>	
Command Parameters	<polarity> = NORMal INVert	
*RST Value	NORMal	
Query Syntax	OUTPut:POLarity:EXTernal:LATChed?	
Query Parameters	N/A	
Query Response	ASCII string = NORM INV	
Description	The OUTput:POLarity:EXTernal:LATChed command sets the polarity of the front panel latched interrupt output. When the polarity is set for normal, the output will be high when there is an interrupt event. When set for invert, the output will be low when there is an interrupt event.	
Examples	Command / Query	Response (Description)
	OUTP:POL:EXT:LATC INV	(Sets the polarity of the front panel latched interrupt output to inverted)
	OUTP:POL:EXT:LATC?	INV (Returns the value for the front panel latched interrupt output)
Related Commands	None	

REQUIRED SCPI COMMANDS

STATus:OPERation:CONDition?

Purpose	Queries the Operation Status Condition Register	
Type	Required SCPI command	
Command Syntax	None – query only	
Command Parameters	N/A	
*RST Value	N/A	
Query Syntax	STATus:OPERation:CONDition?	
Query Parameters	None	
Query Response	0	
Description	The Operation Status Condition Register query is provided for SCPI compliance only. The VM4016 does not alter the state of any of the bits in this register and always reports a 0.	
Examples	Command / Query	Response (<i>Description</i>)
	STAT:OPER:COND?	0
Related Commands	None	

STATus:OPERation:ENABLE

Purpose	Sets the Operation Status Enable Register	
Type	Required SCPI command	
Command Syntax	STATus:OPERation:ENABLE <NRf>	
Command Parameters	<NRf> = numeric ASCII value from 0 to 32767	
*RST Value	NRf must be specified	
Query Syntax	STATus:OPERation:ENABLE?	
Query Parameters	None	
Query Response	Numeric ASCII value from 0 to 32767	
Description	<p>The Operation Status Enable Register is included for SCPI compatibility and the VM4016 does not alter any of the bits in this register. The register layout is as follows:</p> <ul style="list-style-type: none"> Bit 0 - Calibrating Bit 1 - Setting Bit 2 - Ranging Bit 3 - Sweeping Bit 4 - Measuring Bit 5 - Waiting for trigger Bit 6 - Waiting for arm Bit 7 - Correcting 	
Examples	Command / Query	Response (Description)
	STAT:OPER:ENAB 0	0
Related Commands	None	

STATus:OPERation[:EVENT]?

Purpose	Queries the Operation Status Event Register	
Type	Required SCPI command	
Command Syntax	None – query only	
Command Parameters	N/A	
*RST Value	N/A	
Query Syntax	STATus:OPERation [:EVENT]?	
Query Parameters	None	
Query Response	0	
Description	The Status Operation Event Register query is included for SCPI compliance. The VM4016 does not alter any of the bits in this register and always reports a 0.	
Examples	Command / Query	Response (<i>Description</i>)
	STAT:OPER?	
Related Commands	None	

STATus:PRESet

Purpose	Presets the Status Registers	
Type	Required SCPI command	
Command Syntax	STATus:PRESet	
Command Parameters	None	
*RST Value	N/A	
Query Syntax	None – command only	
Query Parameters	N/A	
Query Response	N/A	
Description	The Status Preset command presets the Status Registers. The Operational Status Enable Register is set to 0 and the Questionable Status Enable Register is set to 0. This command is provided for SCPI compliance only.	
Examples	Command / Query	Response (<i>Description</i>)
	STAT:PRES	<i>(Presets the Status Registers)</i>
Related Commands	None	

STATus:QUEStionable:CONDition?

Purpose	Queries the Questionable Status Condition Register	
Type	Required SCPI command	
Command Syntax	None – query only	
Command Parameters	N/A	
*RST Value	N/A	
Query Syntax	STATus:QUEStionable:CONDition?	
Query Parameters	None	
Query Response	0	
Description	The Questionable Status Condition Register query is provided for SCPI compliance only. The VM4016 does not alter any of the bits in this register and a query always reports a 0.	
Examples	Command / Query	Response (<i>Description</i>)
	STAT:QUES:COND?	0
Related Commands	None	

STATus:QUEStionable:ENABle

Purpose	Sets the Questionable Status Enable Register	
Type	Required SCPI command	
Command Syntax	STATus:QUEStionable:ENABle <NRf>	
Command Parameters	<NRf> = numeric ASCII value from 0 to 32767	
*RST Value	NRf must be supplied	
Query Syntax	STATus:QUEStionable:ENABle?	
Query Parameters	None	
Query Response	Numeric ASCII value from 0 to 32767	
Description	<p>The Status Questionable Enable command sets the bits in the Questionable Status Enable Register. This command is provided only to comply with the SCPI standard.</p> <p>The Status Questionable Enable query reports the contents of the Questionable Status Enable Register. The VM4016 does not alter the bit settings of this register and will report the last programmed value.</p>	
Examples	Command / Query	Response (<i>Description</i>)
	STAT:QUES:ENAB 64 STAT:QUES:ENAB?	64
Related Commands	None	

STATus:QUEStionable[:EVENT]

Purpose	Queries the Questionable Status Event Register	
Type	Required SCPI command	
Command Syntax	None – Query Only	
Command Parameters	N/A	
*RST Value	N/A	
Query Syntax	STATus:QUEStionable[:EVENT]?	
Query Parameters	None	
Query Response	0	
Description	The Questionable Status Event Register is provided for SCPI compliance only. The VM4016 does not alter the bits in this register and queries always report a 0.	
Examples	Command / Query	Response (<i>Description</i>)
	STAT:QUES?	0
Related Commands	None	

SYSTem:ERRor?

Purpose	Queries the Error Queue	
Type	Required SCPI command	
Command Syntax	None – query only	
Command Parameters	N/A	
*RST Value	N/A	
Query Syntax	SYSTem:ERRor?	
Query Parameters	None	
Query Response	ASCII string	
Description	<p>The System Error query is used to retrieve error messages from the error queue. The error queue will maintain the two error messages. If additional errors occur, the queue will overflow and the second and subsequent error messages will be lost. In the case of an overflow, an overflow message will replace the second error message. See the SCPI standard Volume 2: Command Reference for details on errors and reporting them. Refer to the “Error Messages” section of this manual for specific details regarding the reported errors.</p>	
Examples	Command / Query	Response (<i>Description</i>)
	SYST:ERR?	-350, "Queue overflow"
Related Commands	None	

SYSTem:VERSion?

Purpose	Queries the SCPI version number to which the VM4016 complies	
Type	Required SCPI command	
Command Syntax	None – query only	
Command Parameters	N/A	
*RST Value	N/A	
Query Syntax	SYSTem:VERSion?	
Query Parameters	None	
Query Response	Numeric ASCII value	
Description	The System Version query reports version of the SCPI standard to which the VM4016 complies.	
Examples	Command / Query	Response (<i>Description</i>)
	SYST:VERS?	1994.0
Related Commands	None	

SECTION 5

THEORY OF OPERATION

INTRODUCTION

The VM4016 is a high-performance Analog Comparator module with 16 input channels per VMIP daughter module. Each input channel consists of a differential amplifier with a gain of 1 or 0.1 giving an input range of ± 10 volts or ± 100 volts. Each input is compared against a reference voltage derived from an independent 8-bit DAC. The VM4016 has a resolution of 78 mV.

Each input signal is digitally debounced for a programmed time ranging from approximately 10 μ s to 0.5 s. This prevents input signal noise from causing undesired interrupts. After debounce, the signal may be programmatically inverted to select the input transition edge of interest (rising or falling edge) and masked to prevent unused channels from causing interrupts.

All the masked inputs are OR'ed together to produce a single interrupt signal. This interrupt signal is used to generate a VXIbus interrupt as well as the front panel interrupt outputs. Special logic will latch the first input to cross its threshold, into the First Latched Register. This records the originating input. The First Latched Register can be cleared by querying the Latched Register contents using the word serial command FETCh:LATched?, or by querying the data via Pseudo Register Access with the INHOUSE:CLEAR_LATCH set to **1** or **ON**.

The state of each channel's debounced input and the inverted and masked status may be read directly in the user-defined area of the VXIbus registers, as can the First Latched register. This information may also be retrieved using the message-based word serial interface.

All channels on the VM4016 are identical in functionality, therefore, descriptions in this theory of operation will pertain to Channel 1 (CH1) only.

INPUT RANGE CONTROL

The Input Range or gain control for each of the sixteen channels is accomplished by U3, the control FPGA, the data and command buffers U4 and U1, the relay drivers, U15 and U16 and relays K1 through K16 (see Figure 5-1). The command to select the ± 100 volt range is latched into the data buffer at U4 and the control bits are latched into the command buffer at U1. The data out enable line is driven low transferring the data and control bits to the control FPGA, U3. The control FPGA decodes the control bits and drives the RELAYENA* signal low. This signal enables the relay drivers, U15 and U16 to receive the incoming data and control signals.

U3 then converts the parallel data from the VMIP Bus to a 16-bit serial data word. This serial data word (RELAYDATA) is synched to the 10 MHz gated relay clock (RELAYCLK) and sent to the relay drivers. The relay drivers are cascaded so that the serial output from U15 feeds the serial input of U16. The parallel outputs from the relay drivers will drive either low or high thereby energizing or de-energizing the appropriate relays K1 through K16, in this case K9. The relay is divided into three (3) sections for ease of analysis. The reference designator K9:A is given to the relays coil, K9:B and K9:C are given to the relay's contacts. When energized the K9 relay selects a 10 k Ω resistor on both of the inputs to the differential amplifier. This provides for a gain of 0.1 thus allowing for input voltage range of ± 100 V. When the K9 relay is de-energized it will default to a 100 k Ω resistor that provides a gain of 1 thereby allowing ± 10 V input voltage range.

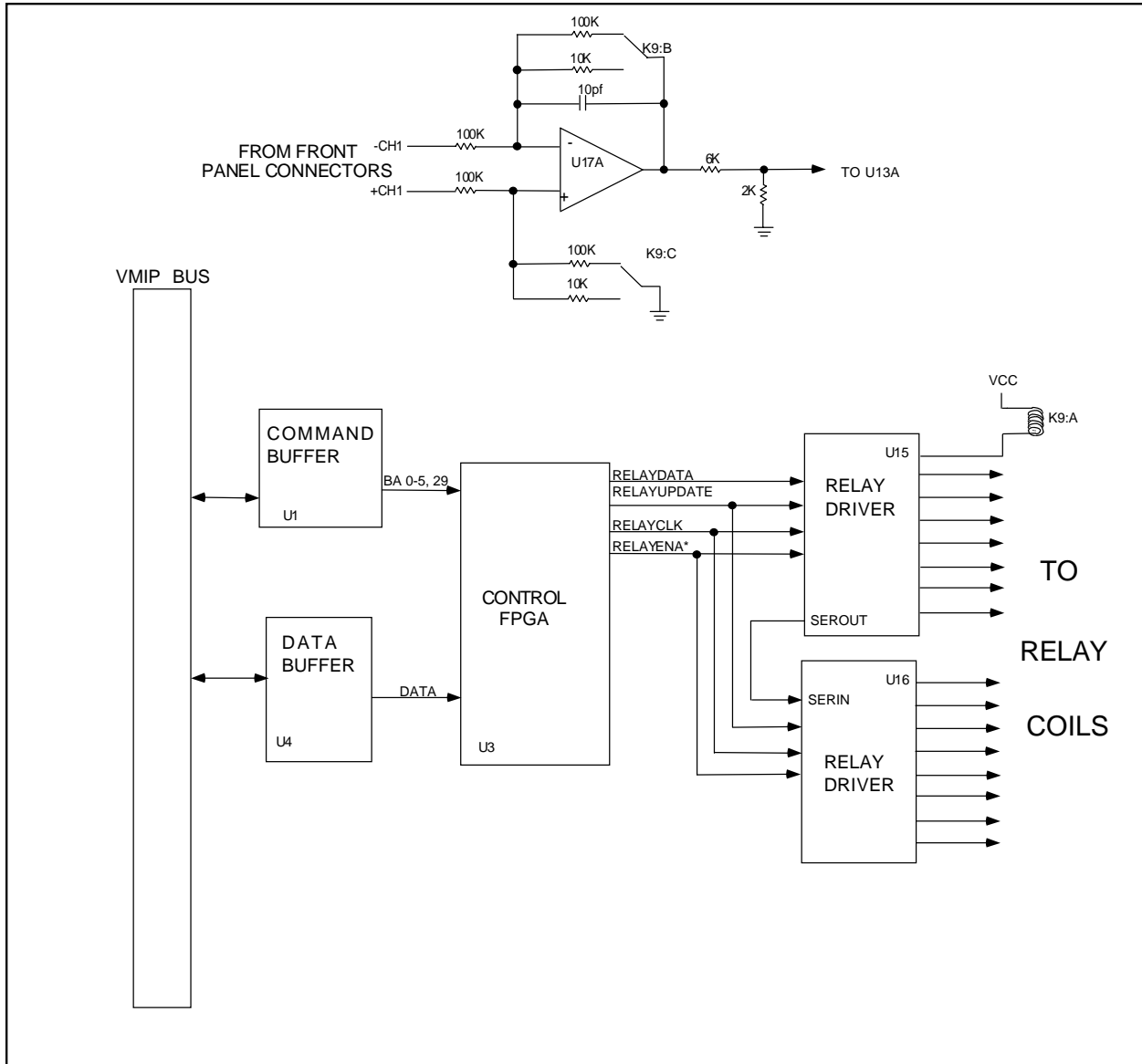


FIGURE 5-1: INPUT RANGE SELECTION

SIGNAL COMPARISON

Signal comparison between the input signal and a user-defined reference voltage is accomplished by a differential amplifier, an 8-bit Digital to Analog Converter or DAC and a voltage comparator (see Figure 5-2). The DAC, U8, is loaded by the control FPGA, U3, and provides the reference voltage TRIGLEV1.

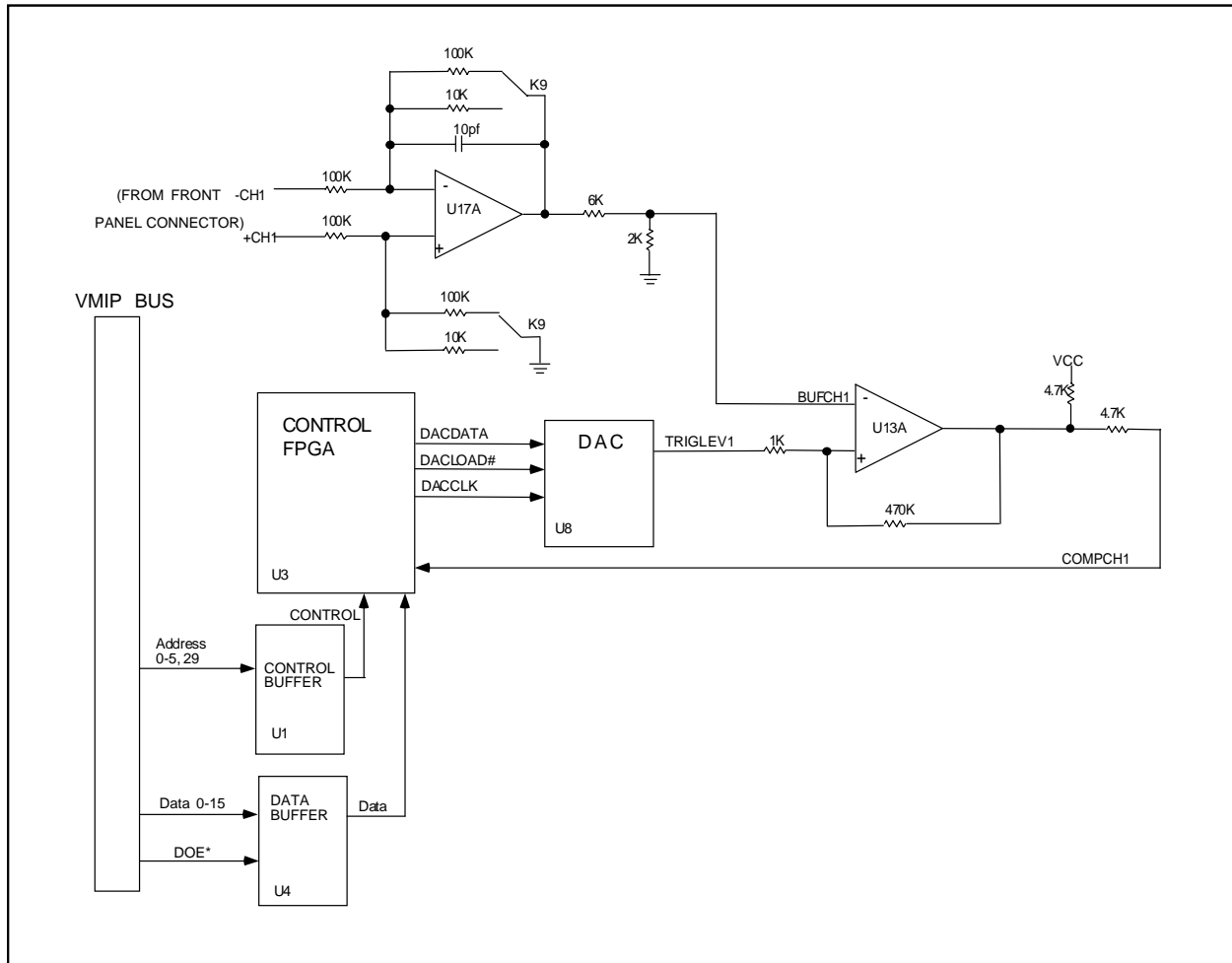


FIGURE 5-2: SIGNAL COMPARISON

The command to specify the reference voltage is received in the data and command buffers and subsequently transferred to the control FPGA at U3. U3 then converts the parallel data to an 8-bit serial data word DACDATA and synchs the output of this word to the 10 MHz gated clock DACCLK. Signal DACLOAD1, for Channel 1, goes high providing the control necessary to shift the serial data into DAC 1. The output TRIGLEV1 of the U8, is used by the comparator U13A as the reference.

The input voltage or signal is applied to the non-inverting input of the differential amplifier, U17A. The output voltage of U17A is divided by four (4) for compensation of the DAC's full range output of ± 3 V.

Now that the flow of the circuitry has been established, it can be observed how the circuitry works during normal operation. For this example the signal -CH1 will be tied to ground. A +5 VDC digital supply line will be monitored for voltage surges in excess 0.25 V.

The DAC is loaded with the binary serial data word, 01101000. This provides a trigger level that is 1.313 V. The +5V input signal +CH1, is applied to U17A's non-inverting input. The output, BUFCH1, of this amplifier is divided by 4, thus BUFCH1 is equal to +1.25V. This is compared with the reference voltage, TRIGLEV1, of 1.313V. Since TRIGLEV1 is higher than BUFCH1 the comparator's output, COMPCH1, remains at +5V. When the voltage on +CH1 exceeds +5.25V BUFCH1 will then be higher than TRIGLEV1. This will drive the comparator to saturation and COMPCH1 will equal 0 V.

INTERRUPT GENERATION

All interrupt generation circuitry is contained within U3 the control FPGA. For the first part of the interrupt generation section, Channel 1 (COMPCH1) polarity is normal. The input channel signal inversion will be examined during the second part of this section. It will be assumed that Channel 1 is the only activated channel and all others are masked out.

The command to specify the debounce time and input polarity is received in the data and command buffers and subsequently transferred to the control FPGA at U3. The input signal COMPCH1 has been compared with the reference voltage TRIGLEV1, as previously discussed, and is routed to the debounce circuitry inside U3 (see Figure 5-3). The debounce circuitry will not allow COMPCH1 to pass through, unless it is low, for longer than the specified amount of time. This circuitry is very useful in blocking out transients from generating false interrupt requests. When the specified time limit has elapsed, and COMPCH1 is still active, it will then be compared with the programmed value in the mask register. Since COMPCH1 is not masked out it is then OR'ed with the remaining unmasked channels. The first channel (COMPCH1) to pass through the debounce circuitry and mask register will latch into an internal register called "First Latch Register". This register is available to the user for determination of the interrupting channel. COMPCH1 is used to clock an internal latch that in turn drives the "LATIRQOUT" signal on the front panel connector. COMPCH1 is also used in the pulse generation circuitry that generates the Interrupt Request (IRQOUT) pulse that is 500 ns wide.

When signal inversion is selected the interrupt will be generated when COMPCH1 is less than the reference voltage TRIGLEV1. The debounce circuitry and the mask register use this signal INV to determine polarity (see Figure 5-3). INV determines whether COMPCH1 is treated as an active low for normal and active high for an inverted signal.

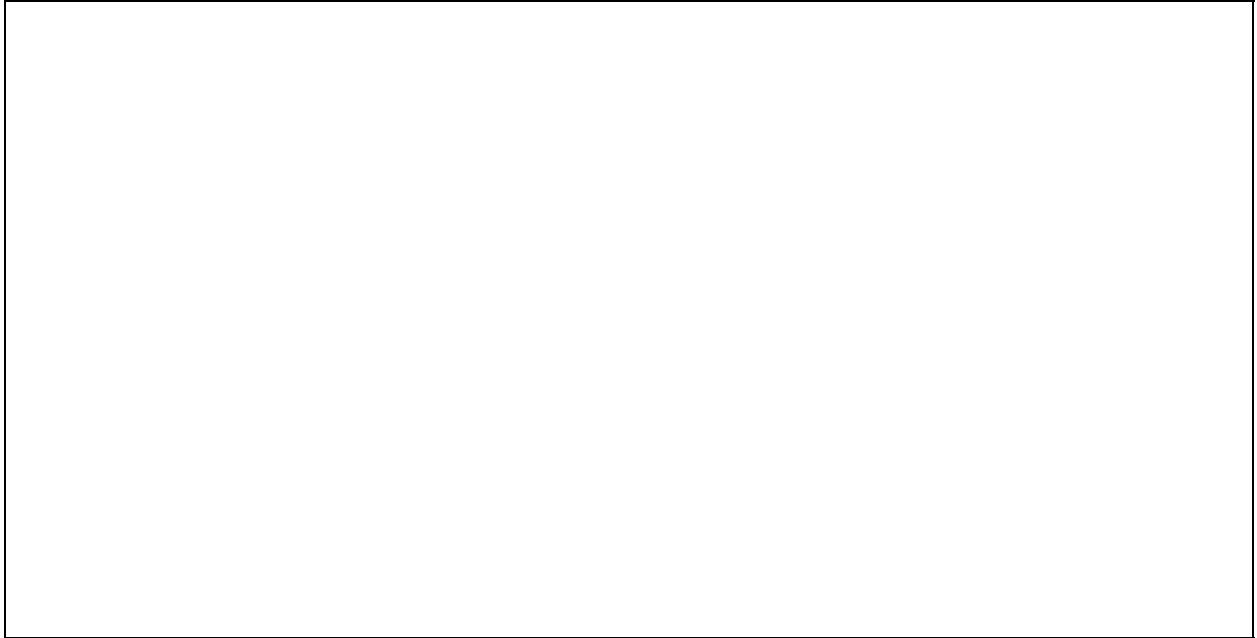


FIGURE 5-3: INTERRUPT GENERATION

INDEX

*CLS.....	52
*ESE.....	53
*ESR?.....	54
*IDN?.....	55
*OPC.....	56
.....	50, 57
*SRE.....	58
*STB?.....	59
*TRG.....	60
*TST?.....	61
*WAI.....	62

B

backplane jumpers.....	15, 16
------------------------	--------

C

CLS.....	48
Command Dictionary.....	51
cooling.....	15

D

debounce circuitry.....	37, 39, 40
direct register access.....	42, 43
Direct Register Access.....	41

E

ESE.....	48
ESR?.....	48

F

FETCh:CONDitioned?	19, 49, 63
FETCh:LATChed?	20
FETCh:LATChed?.....	49, 64
FETCh:RAW?.....	49, 65
FETCh:RAW?	21

I

IDN?.....	48
INHOUSE:CLEAR_LATCH	25, 49, 66
INHOUSE:PSEUDO	22, 49, 67
INHOUSE:REG_ENABLE	24, 49, 69
INHOUSE:REGINT	23, 49, 68
Input Range.....	75, 88, 89
input voltage.....	91
INPut:DEBounce	26, 49, 70
INPut:MASK	27, 49, 71
INPut:MASK:INTerrupt	28, 49, 72
INPut:OFFSet	29, 49, 73
INPut:POLarity	30, 49, 74
INPut:RANGe	31, 49, 75
interrupt generation.....	91
interrupts.....	87

L

latched register.....	87
logical address.....	15, 16

M

mask register circuitry.....	37, 40
------------------------------	--------

O

OPC.....	48
OUTPut:POLarity:EXTernal:INTerrupt	32, 49, 76
OUTPut:POLarity:EXTernal:INTerrupt NORM.....	34
OUTPut:POLarity:EXTernal:LATChed	33, 49, 77

P

power.....	15, 16, 35, 54
pseudo register access.....	43

R

Register Access Examples.....	41
relay drivers.....	36, 39, 88
.....	48, 49

S

SCPI.....	34
signal comparison.....	90
SRE.....	48
STATus:OPERation:CONDition?.....	50, 78
STATus:OPERation:ENABle.....	50, 79
STATus:OPERation[:EVENT]?.....	50, 80
STATus:PRESet.....	50, 81
STATus:QUEStionable:.....	50
STATus:QUEStionable:CONDition?.....	82
STATus:QUEStionable:ENABle.....	50, 83
STATus:QUEStionable\[\nEVENT]\n.....	84
STATus:QUEStionable[:EVENT]?.....	50
STB?.....	48
SYSTem:ERRor?.....	50, 85
SYSTem:VERsion?.....	50
SYSTem:VERsion?.....	86

T

TST.....	48
----------	----

V

VMIP.....	11, 12, 16, 37, 40, 87, 88
VXIbus.....	11, 12, 15, 16, 63, 64, 71, 87
VXIplug&play Driver Examples.....	44

W

WAI.....	48
----------	----

Free Manuals Download Website

<http://myh66.com>

<http://usermanuals.us>

<http://www.somanuals.com>

<http://www.4manuals.cc>

<http://www.manual-lib.com>

<http://www.404manual.com>

<http://www.luxmanual.com>

<http://aubethermostatmanual.com>

Golf course search by state

<http://golfingnear.com>

Email search by domain

<http://emailbydomain.com>

Auto manuals search

<http://auto.somanuals.com>

TV manuals search

<http://tv.somanuals.com>