

# **VULCAN**

## *CATALOG OF REPLACEMENT PARTS*

### *VEL & VEP SERIES FLOOR MOUNTED 2/3 JACKETED KETTLES*

#### *MODEL*

*VEL20 ML-103430  
VEL30 ML-103431  
VEL40 ML-103432  
VEL60 ML-103433  
VEL80 ML-103434  
VEL100 ML-103435*

*VEP20 ML-103436  
VEP30 ML-103437  
VEP40 ML-103438  
VEP60 ML-103439  
VEP80 ML-103440  
VEP100 ML-103441*

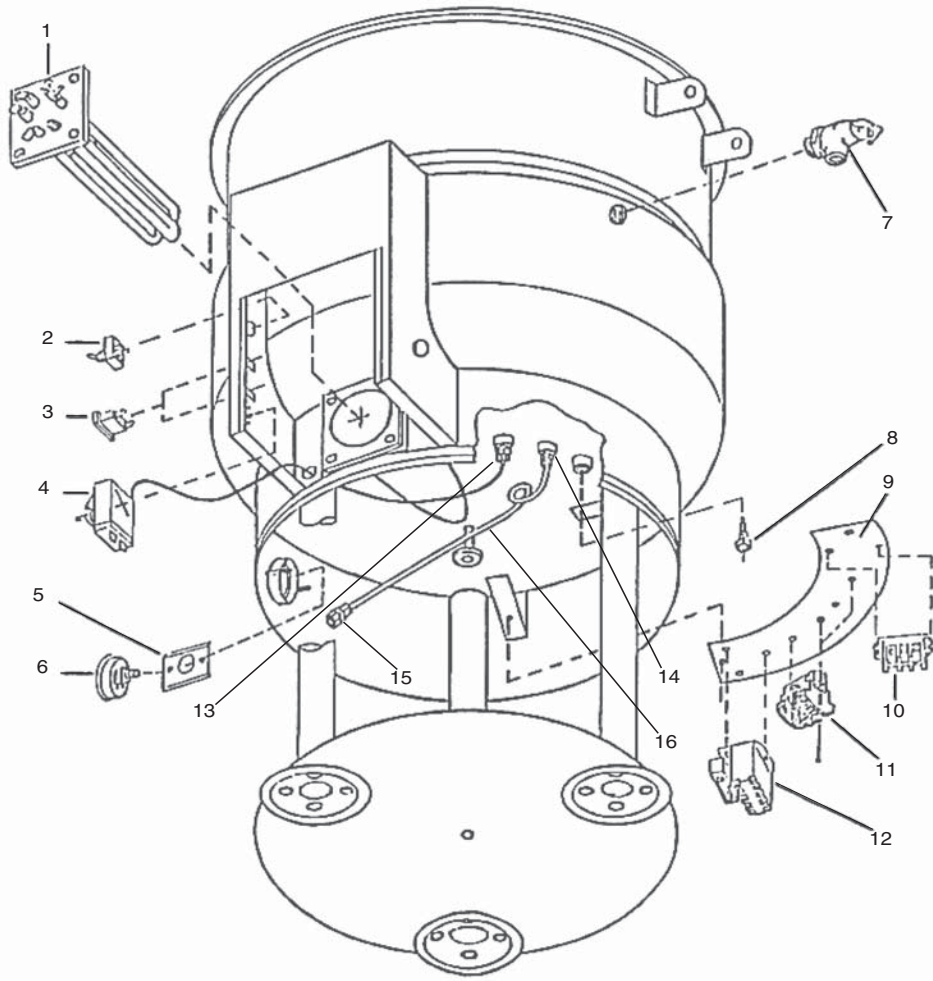


**For additional information on Vulcan-Hart Company or to locate an authorized parts and service provider in your area, visit our website at [www.vulcanhart.com](http://www.vulcanhart.com)**

VULCAN-HART  
DIVISION OF ITW FOOD EQUIPMENT GROUP, LLC  
[WWW.VULCANHART.COM](http://WWW.VULCANHART.COM)

P.O. BOX 696, LOUISVILLE, KY 40201-0696  
TEL. (800) 814-2028

**FORM 37120 (December 2007)**



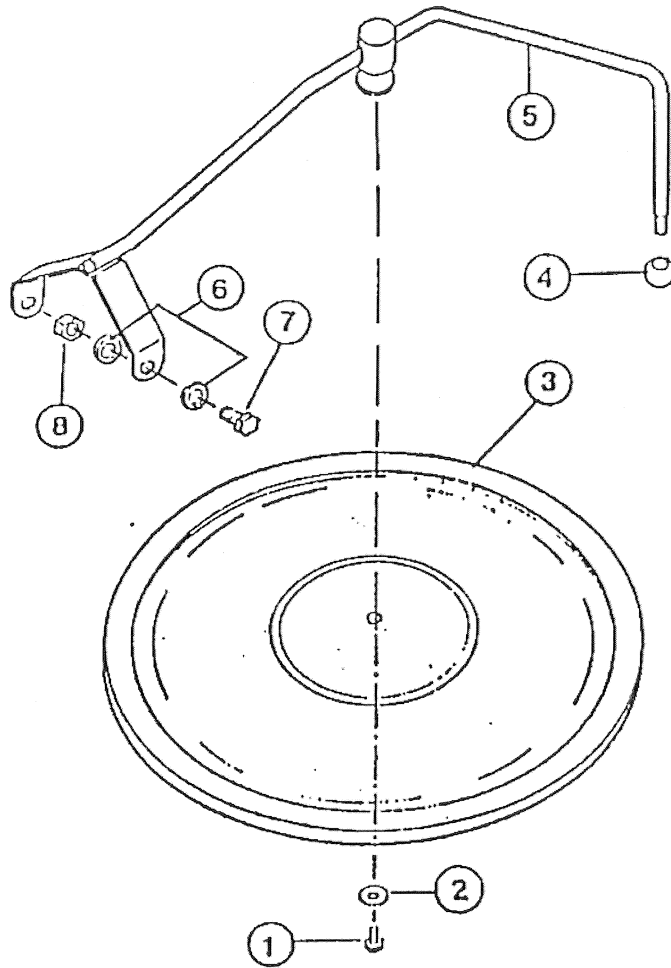
**KETTLE - EXPLODED VIEW**

**REPLACEMENT PARTS LIST**

PART NO.	NAME OF PART	AMT.				
		20	30	40	60, 80	100
1	00-881996 Element (208 V, 12 kW) .....	1				
	00-881997 Element (220/380 V, 12 kW) .....	1				
	00-881998 Element (240 V, 12 kW) .....	1				
	00-881999 Element (480 V, 12 kW) .....	1				
	00-836818 Element (208 V, 15 kW) .....	1				
	00-836819 Element (220/380 V, 15 kW) .....	1				
	00-836820 Element (240 V, 15 kW) .....	1				
	00-836821 Element (480 V, 15 kW) .....	1				
	00-836822 Element (208 V, 18 kW) .....	1		1		
	00-863823 Element (220/380 V, 18 kW) .....	1		1		
	00-836824 Element (240 V, 18 kW) .....	1		1		
	00-836825 Element (480 V, 18 kW) .....	1		1	1	1
	00-836826 Element (208 V, 24 kW) .....	1		1		1
	00-836827 Element (240 V, 24 kW) .....	1		1		1
	00-836828 Element (480 V, 24 kW) .....	1		1		1
	00-836829 Element (208 V, 33 kW) .....	1		1		1
	00-836830 Element (240 V, 33 kW) .....	1		1		1
	00-836831 Element (480 V, 33 kW) .....	1		1		1
*	00-881969 Element Gasket .....	1	1	1	1	1

REPLACEMENT PARTS LIST (Cont.)

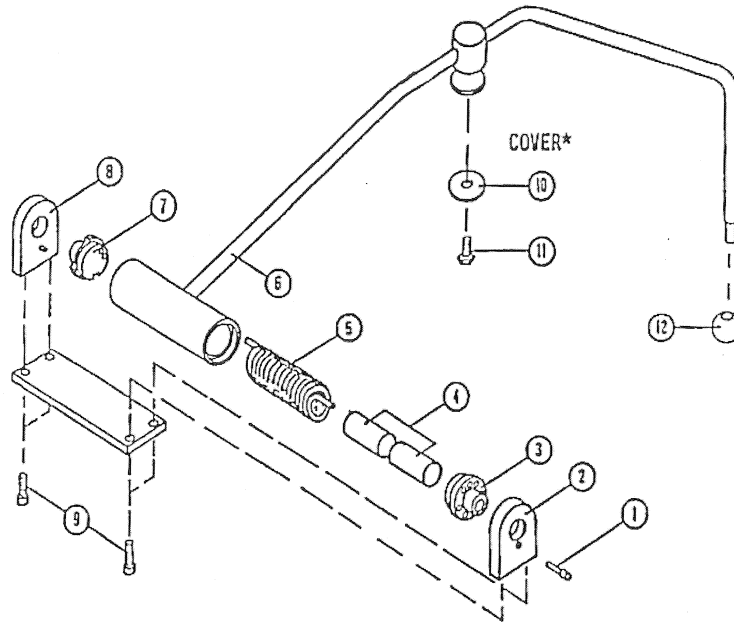
PART NO.	NAME OF PART	AMT.				
		20	30	40	60, 80	100
2	00-881970 Power Switch .....	1	1	1	1	1
3	00-881972 Low Water Pilot Light .....	1	1	1	1	1
	00-881972 Temperature Pilot Light .....	1	1	1	1	1
4	00-881973 Thermostat .....	1	1	1	1	1
*	00-836968 Thermostat Knob .....	1	1	1	1	1
*	00-844367-00005 Bezel, Thermostat .....	1	1	1	1	1
5	00-836938 Mounting Plate .....	1	1	1	1	1
6	00-881979 Pressure Gauge .....	1	1	1	1	1
7	00-881980 Valve, Pressure Relief, 35# .....	1	1	1	1	1
	00-844492 Valve, Pressure Relief, 50# .....	1	1	1	1	1
8	00-881981 Probe .....	1	1	1	1	1
9	00-836995-00001 Component Mounting Plate .....	1				
	00-836995-00002 Component Mounting Plate .....		1			
	00-836995-00003 Component Mounting Plate .....			1		
	00-836995-00004 Component Mounting Plate .....				1	
	00-853911 Component Mounting Plate .....				1	1
10	00-844367-00009 Terminal Block Section .....	3	3	3	3	3
	00-844367-00010 Terminal Block End Section .....	1	1	1	1	1
11	00-881975 Contactor (208, 220, 240 V) (12, 15, 18 kW) .....	2	2	2	2	
	00-881975 Contactor (380, 220/380, 416, 240/416, 480, 600 V) (12, 15, 18 kW) .....	1	1	1	1	
	00-836997 Contactor (208, 220, 240 V) (24 kW) .....			2	2	2
	00-836997 Contactor (480, 600 V) (24 kW) .....			1	1	1
	00-840444 Contactor (208, 220, 240 V) (33 kW) .....			2	2	2
	00-840444 Contactor (480, 600 V) (33 kW) .....			1	1	1
12	00-881960 Liquid Level Control .....	1	1	1	1	1
13	00-844401 Thermostat Fitting .....	1	1	1	1	1
14	00-844531 Fitting 1/4 cc X 3/8 MPT .....	1	1	1	1	1
15	00-844528 Fitting 1/4 cc X 1/4 FPT .....	1	1	1	1	1
16	00-522653-00002 Copper Tube 1/4 " .....	26"	28"	28"	29, 33"	35"
*	00-850489 Fuse Block (600 V) .....	1	1	1	1	1
*	00-853974 Fuse (1-amp) .....	AR	AR	AR	AR	AR
*	00-853974-00001 Fuse (2-amp) .....	AR	AR	AR	AR	AR
*	00-881991 Fuse (3-amp) .....	AR	AR	AR	AR	AR
*	00-851936 Transformer (380, 415 V) .....	1	1	1	1	1
*	00-881978 Transformer (480 V) .....	1	1	1	1	1
*	00-851938 Transformer (600 V) .....	1	1	1	1	1
*	00-856603 Transformer Fuse Block Mounting Bracket .....	1	1	1	1	1
*	00-881961 Air Vent Assy. ....	1	1	1	1	1
*	00-844367-00044 Hex Bolt (Element Assy.) .....	4	4	4	4	4
*	00-855144 Down Tube .....	1	1	1	1	1
*	00-851628 Control Box Cover .....	1				
*	00-850567 Control Box Cover .....			1		
*	00-851531 Control Box Cover (60 Gallon) .....				1	
*	00-850335 Control Box Cover (80 Gallon) .....				1	
*	00-850607 Decal (Control Panel) .....		1	1	1	1
*	00-852055 Decal (Control Panel) .....	1				
*	00-836958 Flanged Foot .....	3	3	3	3	3
*	00-907791 Control Transformer (480 V) .....	1	1	1	1	1
*	Items Not Shown					



**COUNTER BALANCED HINGED COVER**

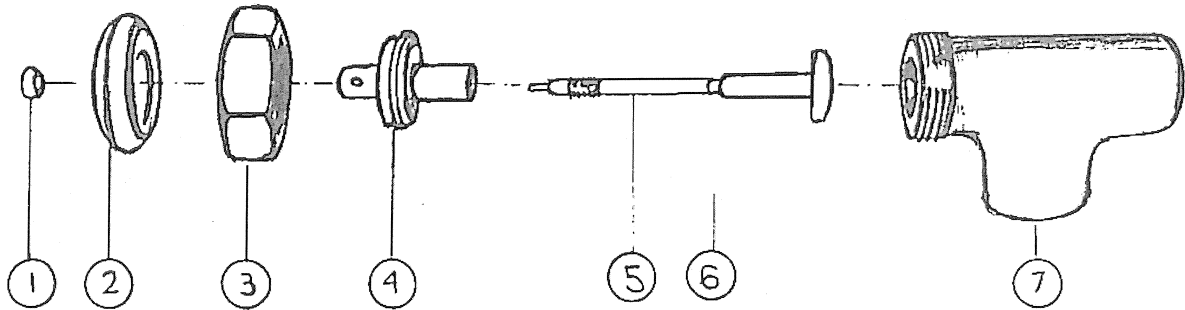
**REPLACEMENT PARTS LIST**

PART NO.	NAME OF PART	AMT.
1	00-842956 Bolt .....	1
2	00-850622 Washer .....	1
3	00-851961 Cover (20 Gallon) .....	1
	00-850430 Cover (30 Gallon) .....	1
	00-850217 Cover (40 Gallon) .....	1
	00-844424 Cover (60 Gallon) .....	1
	00-850548 Cover (80 Gallon) .....	1
	00-851009 Cover (100 Gallon) .....	1
4	00-836964 Knob .....	1
5	00-850499 Handle Assy. (20 Gallon) .....	1
	00-857093 Handle Assy. (30 Gallon) .....	1
	00-850698 Handle Assy. (40 Gallon) .....	1
6	00-851906 Fiber Washer .....	4
7	SC-041-42 Bolt .....	2
8	NS-015-16 Nut .....	2



**SPRING ASSIST HINGE ASSEMBLY  
REPLACEMENT PARTS LIST**

PART NO.	NAME OF PART	AMT.
<b>20 to 40 Gallon Kettles</b>		
1	00-836977 Lock Pin .....	1
2	00-836978 End Lock Plate .....	1
3	00-836979 Stationary Disc .....	1
4	00-844367-00034 Cores .....	2
5	00-844367-00035 Spring .....	1
6	00-850518-00002 Handle Assy. (20 Gallon) .....	1
	00-850518-00003 Handle Assy. (30 Gallon) .....	1
	00-850518 Handle Assy. (40 Gallon) .....	1
7	00-836983 Rotary Disc .....	1
8	00-836932 End Stop Plate .....	1
9	00-844367-00036 Cap Screws .....	4
10	00-850622 Washer .....	1
11	00-842956 Bolt .....	1
12	00-836964 Knob .....	1
	00-844459 Hinge Assy. ....	1
	00-851961 Cover (20 Gallon) .....	1
	00-850430 Cover (30 Gallon) .....	1
	00-850217 Cover (40 Gallon) .....	1
<b>60 to 100 Gallon Kettles</b>		
1	00-836986 Lock Pin .....	1
2	00-836987 End Lock Plate .....	1
3	00-836988 Stationary Disc .....	1
4	00-836989 Cores .....	2
5	00-836990 Spring .....	1
6	00-850061 Handle Assy. (60 Gallon) .....	1
	00-844462 Handle Assy. (80 Gallon) .....	1
	00-850477 Handle Assy. (100 Gallon) .....	1
7	00-836992 Rotary Disc .....	1
8	00-836993 End Stop Plate .....	1
9	SC-041-10 Cap Screws .....	4
10	00-850622 Washer .....	1
11	00-842956 Bolt .....	1
12	00-836964 Knob .....	1
	00-844461 Hinge Assy. ....	1
	00-844424 Cover (60 Gallon) .....	1
	00-850548 Cover (80 Gallon) .....	1
	00-851009 Cover (100 Gallon) .....	1



**DRAW OFF VALVES**

**REPLACEMENT PARTS LIST**

PART NO.	NAME OF PART	AMT.		
		1½ " Valve	2" Valve	3" Valve
1	00-836939 Nut .....	1	1	
	00-836940 Nut .....			1
2	00-836967 Handle .....	1	1	
	00-836942 Handle .....			1
3	00-836943 Hex. Assembly Nut .....	1		
	00-836944 Hex. Assembly Nut .....		1	
	00-836945 Hex. Assembly Nut .....			1
4	00-836946 Bonnet .....	1		
	00-836947 Bonnet .....		1	
	00-836948 Bonnet .....			1
5	00-850218 Disc & Stem Assy. ....	1		
	00-836950 Disc & Stem Assy. ....		1	
	00-836951 Disc & Stem Assy. ....			1
6	00-836966 "O" Ring .....	1		
	00-836953 "O" Ring .....		1	
	00-836954 "O" Ring .....			1
7	00-836955 Valve Body .....	1		
	00-836956 Valve Body .....		1	
	00-836957 Valve Body .....			1
	00-851561 Strainer (Draw Off Valve) .....	1		
	00-850593 Strainer (Draw Off Valve) .....		1	
	00-840554 Strainer (Draw Off Valve) .....			1
	00-851291 Draw Off Valve Complete .....	1		
	00-851293 Draw Off Valve Complete .....		1	
	00-851294 Draw Off Valve Complete .....			1

**RECOMMENDED SPARE PARTS**

PART NO.	NAME OF PART	AMT.
00-844527	Steam Trap .....	1
00-881961	Air Vent .....	1
00-881970	Power Switch .....	2
00-881972	ON Light & Low Water Light .....	2
00-881973	Thermostat .....	1
00-836968	Thermostat Knob .....	1
00-881980	Relief Valve (35#) .....	1
00-881960	Liquid Level Control .....	1
00-836818	Element (208 V, 15 kW) .....	1
00-836820	Element (240 V, 15 kW) .....	1
00-836821	Element (480 V, 15 kW) .....	1
00-836823	Element (208 V, 18 kW) .....	1
00-836824	Element (240 V, 18 kW) .....	1
00-836825	Element (480 V, 18 kW) .....	1
00-836826	Element (208 V, 24 kW) .....	1
00-836827	Element (240 V, 24 kW) .....	1
00-836828	Element (480 V, 24 kW) .....	1
00-836829	Element (208 V, 33 kW) .....	1
00-836830	Element (240 V, 33 kW) .....	1
00-836831	Element (480 V, 33 kW) .....	1
00-836926	Element Gasket .....	1
00-850489	Fuse Holder (480 V) .....	1
00-853974	Fuse (1-amp) (250 V) .....	3
00-881975	Contactactor (15/18 kW) (208/240/480 V) .....	2
00-836997	Contactactor (24 kW) (208/240/480 V) .....	2
00-840444	Contactactor (33 kW) (208/240/480 V) .....	2
00-907791	Control Transformer (480 V) .....	1

## Free Manuals Download Website

<http://myh66.com>

<http://usermanuals.us>

<http://www.somanuals.com>

<http://www.4manuals.cc>

<http://www.manual-lib.com>

<http://www.404manual.com>

<http://www.luxmanual.com>

<http://aubethermostatmanual.com>

Golf course search by state

<http://golfingnear.com>

Email search by domain

<http://emailbydomain.com>

Auto manuals search

<http://auto.somanuals.com>

TV manuals search

<http://tv.somanuals.com>