

MODEL VHMD5 HUMIDI-HEAT HUMIDIFIED HOLDING SYSTEM



Model VHMD5

STANDARD FEATURES:

- Electronic Heating controls 80°F - 200° holding temperature range
- On-Demand Computer-chip controlled Humidity Levels
- Built-in Humidity System with self contained 1 gallon water reservoir
- Capacity of 5-each 18" x 26" sheet or 10-each 12" x 20" x 2.5" hotel pans
- Color coded indicator lights (heating element on or at temperature)
- Heavy duty polished non-corrosive series stainless steel construction 20 gauge exterior and interior
- Welded tubular steel frame
- Fully insulated, 2" in top, 1" in sides and bottom
- Heavy duty 5" casters
- Universal Tray Slides
- 120 Volt 1200 Watt 10 Amp
- Recessed Handles
- Heavy duty positive seal door latching system
- Left or right hand hinging (no charge)

OPTIONS:

- 208/240 volt
- Transport Package
- Full Perimeter Bumper
- 6" heavy duty casters
- Glass Door
- Security package



SPECIFICATIONS:

Vulcan Model VHMD5 Humidified Holding Cabinet; Electronic controlled Heating and Holding with an On-Demand Humidity System. Thermostat ranges from 80° F- 200° F. Electronic Humidistat provides humidity to chamber at selected level. Can be used in Holding or Proofing. Chamber capacity is 5 each 18" x 26" sheet pans or 10 each 12" x 20" x 2.5" hotel pans. Exterior and interior is constructed of 20 gauge non-corrosive stainless steel. Welded tubular steel interior frame. Fully insulated. 120v, 1200 w, 10 amp service 5" heavy duty casters (2 swivel with brakes, 2 rigid). Heavy duty Magnetic latch.

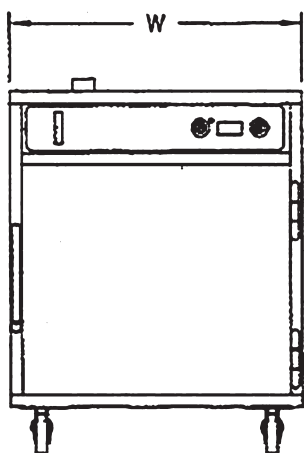
Classified by UL to NSF Std. #4

UL Listed. UL Listed to Canadian Safety standards.

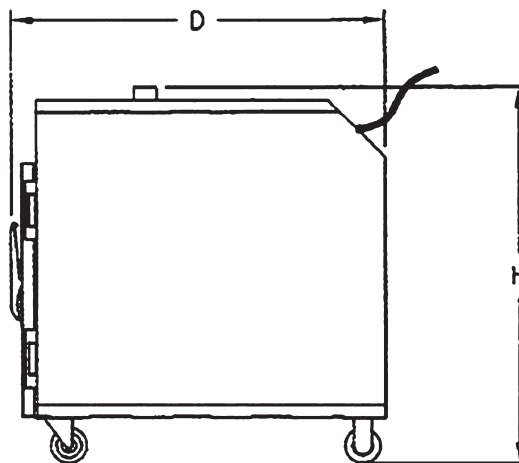


MODEL VHMD5

HUMIDI-HEAT HUMIDIFIED HOLDING SYSTEM



FRONT VIEW



SIDE VIEW

Model No.	18 x 26 Capacity	12x20x2.5 Capacity	High	Deep	Wide	Shipping Weight	Volts	Watts	Amps
VHMD5	5	10	32 ³ / ₈ "	34 ¹ / ₄ "	25 ¹ / ₈ "	170# 77 kg	120	1200	10

NOTE: In line with its policy to continually improve its products, Vulcan-Hart Company reserves the right to change materials and specifications without notice.

VULCAN-HART COMPANY, P.O. BOX 696, LOUISVILLE, KY 40201, TEL. 1-800-814-2028

502-778-2791. QUOTE & ORDER FAX: 1-800-444-0602

Free Manuals Download Website

<http://myh66.com>

<http://usermanuals.us>

<http://www.somanuals.com>

<http://www.4manuals.cc>

<http://www.manual-lib.com>

<http://www.404manual.com>

<http://www.luxmanual.com>

<http://aubethermostatmanual.com>

Golf course search by state

<http://golfingnear.com>

Email search by domain

<http://emailbydomain.com>

Auto manuals search

<http://auto.somanuals.com>

TV manuals search

<http://tv.somanuals.com>