

# VULCAN

## CATALOG OF REPLACEMENT PARTS

### ELECTRIC EXPANDO RANGES

*MODEL*

<i>E12HT</i>	<i>ML-136543</i>
<i>E12FP</i>	<i>ML-136544</i>

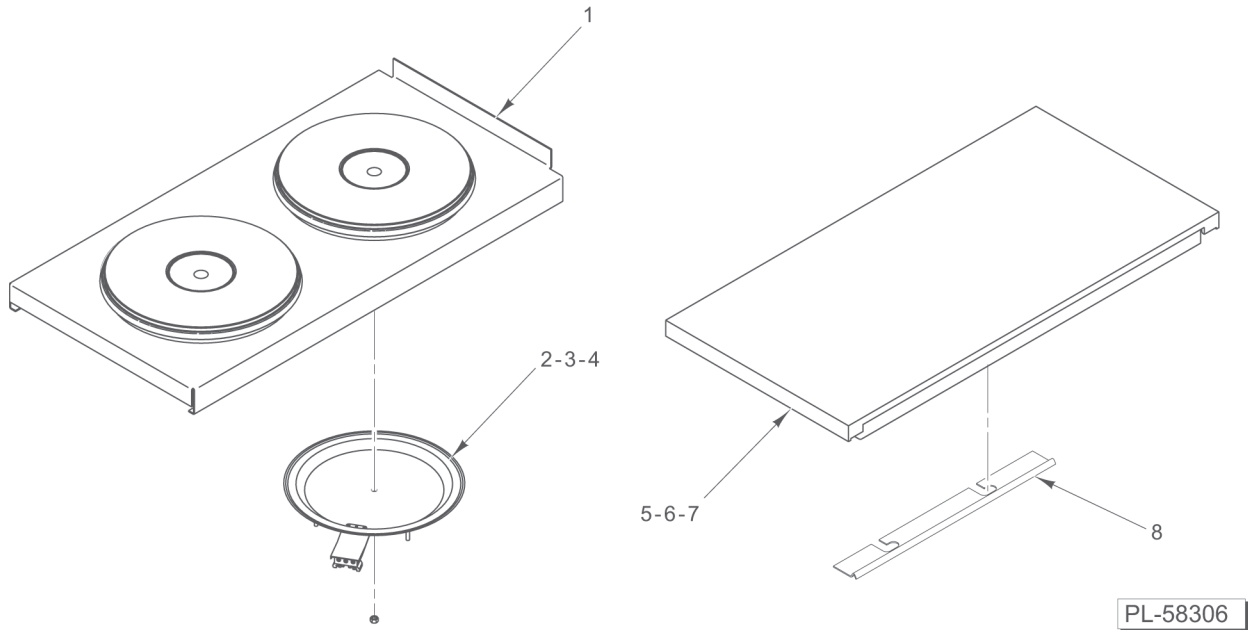


For additional information on Vulcan-Hart Company or to locate an authorized parts and service provider in your area, visit our website at [www.vulcanhart.com](http://www.vulcanhart.com)

VULCAN-HART  
DIVISION OF ITW FOOD EQUIPMENT GROUP, LLC  
[WWW.VULCANHART.COM](http://WWW.VULCANHART.COM)

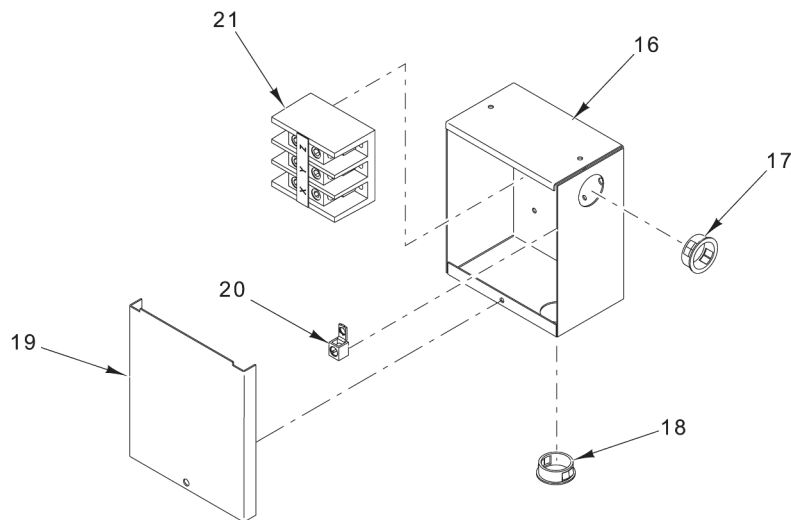
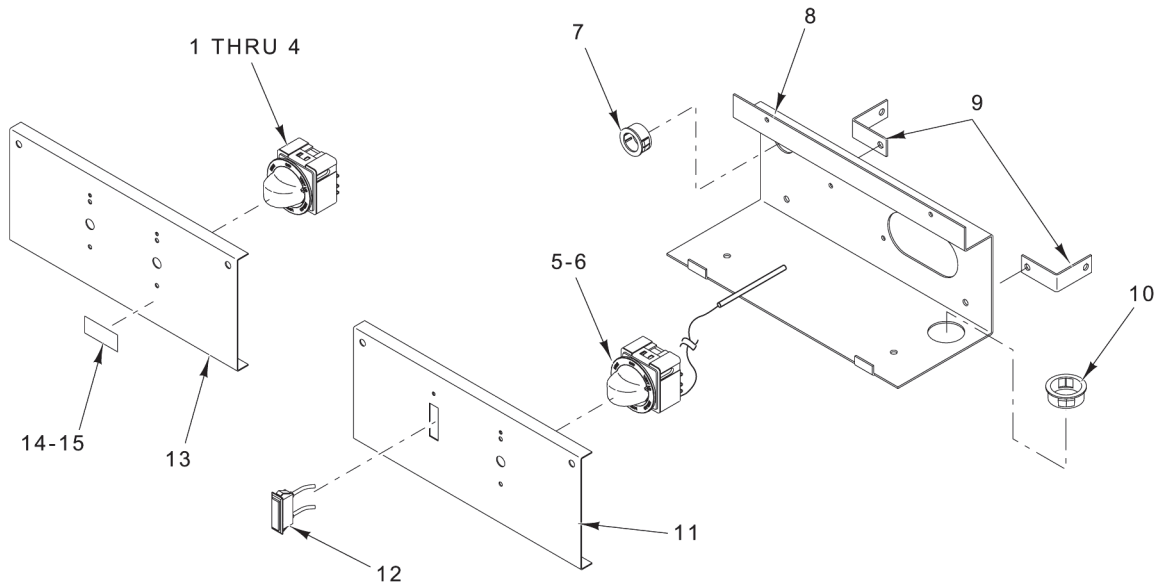
P.O. BOX 696, LOUISVILLE, KY 40201-0696  
TEL. (800) 814-2028

FORM 37129 (August 2008)



### PLATES

ILLUS. PL-58306	PART NO.	NAME OF PART	AMT.
1	00-421191-000G1	Plate – Aeration Assy. (French Plate) .....	1
2	00-421240-00001	Plate – French E.G.O. (208 V.) .....	2
3	00-421240-00002	Plate – French E.G.O. (240 V.) .....	2
4	00-421240-00003	Plate – French E.G.O. (480 V.) .....	2
5	00-421320-00001	Top – Hot (208 V.) .....	1
6	00-421320-00002	Top – Hot (240 V.) .....	1
7	00-421320-00003	Top – Hot (480 V.) .....	1
8	00-421243-00002	Bracket – Top Holddown .....	2
	00-497042-000G3	French Plate Power Harness .....	1
	00-421152-000G1	French Plate Harness (36") (208/240 V.) .....	1
	00-421152-000G2	French Plate Harness (36") (480 V.) .....	1

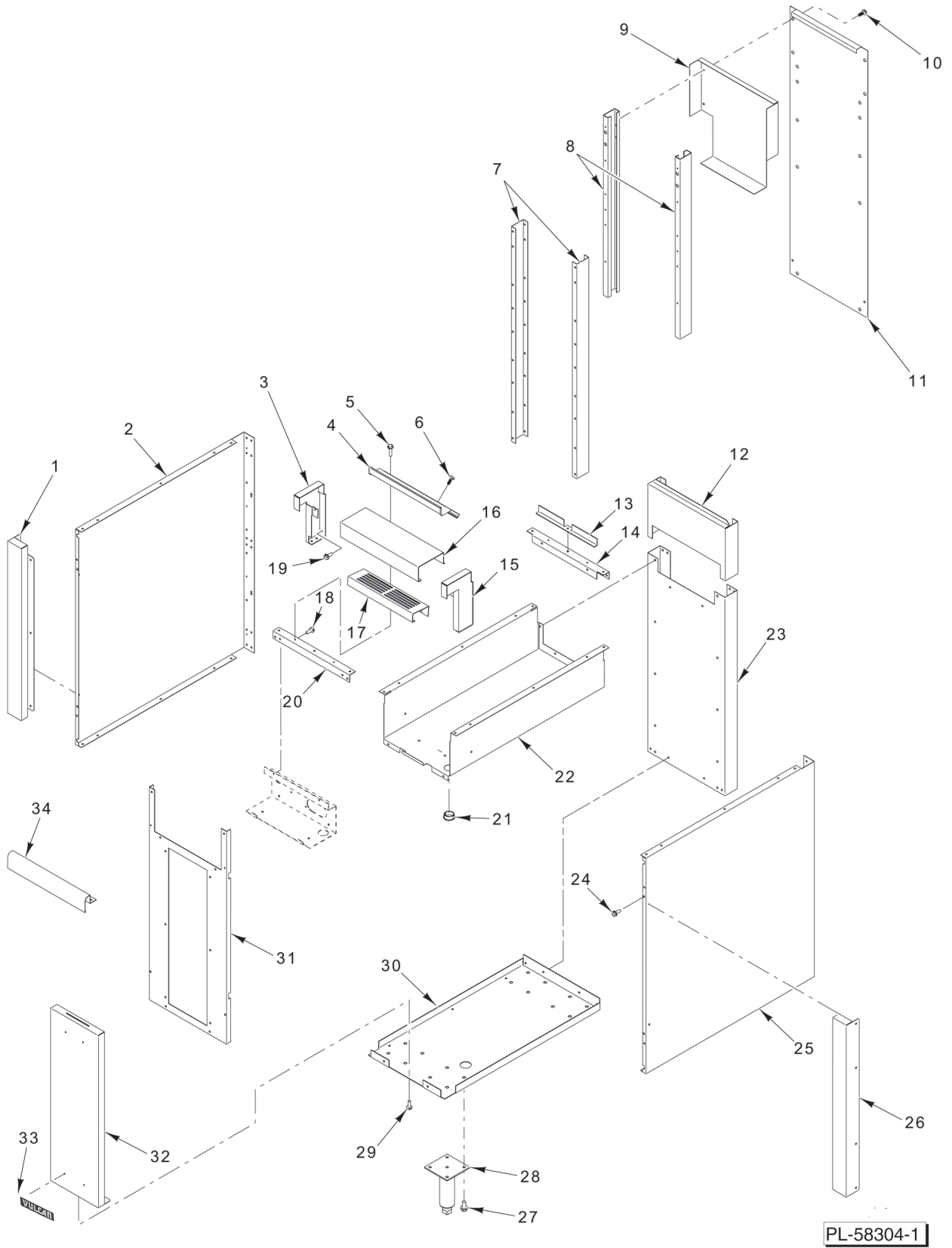


PL-58305

CONTROL PANEL

**CONTROL PANEL**

ILLUS. PL-58305	PART NO.	NAME OF PART	AMT.
1	00-412251-00001	Knob – Switch (240 V.) (ML-136544) .....	2
2	00-412251-00003	Knob – Switch (480 V.) (ML-136544) .....	2
3	00-411503-00004	Switch – Infinite (240 V.) (ML-136544) .....	2
4	00-355798-00001	Switch – Range 4 Position (480 V.) (ML-136544) .....	2
5	00-418061-00003	Knob – Thermostat (ML-136543) .....	1
6	00-411506-00014	Thermostat (ML-136543) .....	1
7	FE-023-56	Bushing – Electric Snap .....	1
8	00-497707-00001	Housing – Manifold .....	1
9	00-421692-00001	Bracket – Manifold Housing Support .....	2
10	FE-017-16	Bushing – Electric Snap .....	1
11	00-497495-00012	Cover – Manifold .....	1
12	00-411496-000E8	Light Indicator (ML-136543) .....	1
13	00-497496-00012	Cover – Manifold Stiffner .....	1
14	00-409642-00002	Label – Rear (ML-136544) .....	1
15	00-409642-00001	Label – Front (ML-136544) .....	1
16	00-499075-00001	Box – Main Power .....	1
17	FE-017-16	Bushing – Electric Snap .....	1
18	FE-017-16	Bushing – Electric Snap .....	1
19	00-499076-00001	Lid – Power Supply .....	1
20	00-417856-00001	Lug – Ground .....	1
21	00-410472-00008	Block – Terminal (3 Pole) .....	1
	00-417876-00001	Resistor (480 V.) (ML-136543) .....	1



BODY

**BODY**

ILLUS.	PART NO.	NAME OF PART	AMT.
PL-58304-1			
1	00-497719-00001	Trim – Edge .....	1
2	00-417212-00003	Side – Body .....	1
3	00-424925-00001	Cap – End Square Left .....	1
4	00-497713-000G1	Shield – Heat Assy. ....	1
5	SD-036-86	Self-Tapping Screw 10-24 x 3/4 Hex Hd. Type TT .....	2
6	SD-032-07	Self-Tapping Screw 10-24 x 1/2 Hex Hd. Type TT .....	1
7	00-497714-00001	Channel – Bayonet .....	2
8	00-417221-00001	Channel – Bayonet .....	2
9	00-497715-00001	Shield – Rear Heat .....	1
10	SD-032-07	Self-Tapping Screw 10-24 x 1/2 Hex Hd. Type TT .....	1
11	00-499026-00001	SS Finishing Back (See Note) .....	1
12	00-497716-00001	Back Splash .....	1
13	00-421190-00001	Support – Hot Top .....	1
14	00-497706-00001	Channel – Front/Rear .....	1
15	00-424925-00002	Cap – End Square Right .....	1
16	00-497708-000G1	Top – Front .....	1
17	00-497720-00001	Top Closure – Front .....	1
18	SD-032-07	Self-Tapping Screw 10-24 x 1/2 Hex Hd. Type TT .....	1
19	SD-032-07	Self-Tapping Screw 10-24 x 1/2 Hex Hd. Type TT .....	1
20	00-497706-00001	Channel – Front/Rear .....	1
21	FE-017-16	Bushing – Electric Snap .....	1
22	00-497705-00001	Box – Burner .....	1
23	00-497704-00001	Back – Body .....	1
24	SD-032-07	Self-Tapping Screw 10-24 x 1/2 Hex Hd. Type TT .....	1
25	00-417212-00003	Side – Body .....	1
26	00-497719-00001	Trim – Edge .....	1
27	SD-037-70	Self-Tapping Screw 1/4-20 x 1/2 Hex Hd. Type TT .....	16
28	00-413112-00012	Leg (6 In.) .....	4
29	SD-032-07	Self-Tapping Screw 10-24 x 1/2 Hex Hd. Type TT .....	1
30	00-497583-00001	Base .....	1
31	00-497703-00001	Frame – Front .....	1
32	00-497734-00001	Trim – Panel .....	1
33	00-417700-00003	Nameplate – Vulcan .....	1
34	00-497718-00001	Handle – Trim .....	1

NOTE: Stainless Steel finishing back is only available as a repair part for units that were manufactured with this feature at the factory.

**REPLACEMENT PARTS LIST**

<b>PART NO.</b>	<b>NAME OF PART</b>	<b>AMT.</b>
00-411503-00004	Infinite Switch .....	4
00-412251-00001	Switch Knob .....	4
00-355798-00001	Range Switch (4-position) (480 V.) .....	2
00-412251-00003	Range Switch Knob (4-position) .....	2
00-421240-00001	Element, French Plate (208 V.) .....	2
00-421240-00002	Element, French Plate (240 V.) .....	2
00-421240-00003	Element, French Plate (480 V.) .....	2
00-411506-00014	Thermostat Hot Top .....	1
00-418061-00003	Thermostat Knob Hot Top .....	2
00-421320-00001	Hot Top Assy. (208 V.) .....	1
00-421320-00002	Hot Top Assy. (240 V.) .....	1
00-421320-00003	Hot Top Assy. (480 V.) .....	1
00-410472-00008	Terminal Block (3-pole) .....	1

## NOTES



## Free Manuals Download Website

<http://myh66.com>

<http://usermanuals.us>

<http://www.somanuals.com>

<http://www.4manuals.cc>

<http://www.manual-lib.com>

<http://www.404manual.com>

<http://www.luxmanual.com>

<http://aubethermostatmanual.com>

Golf course search by state

<http://golfingnear.com>

Email search by domain

<http://emailbydomain.com>

Auto manuals search

<http://auto.somanuals.com>

TV manuals search

<http://tv.somanuals.com>