

# VULCAN

## CATALOG OF REPLACEMENT PARTS

### GAS TILTING KETTLES

#### MODEL

VGLT-20	ML-52994
VGLT-30	ML-114955
VGLT-40	ML-52995
VGLT-60	ML-52996

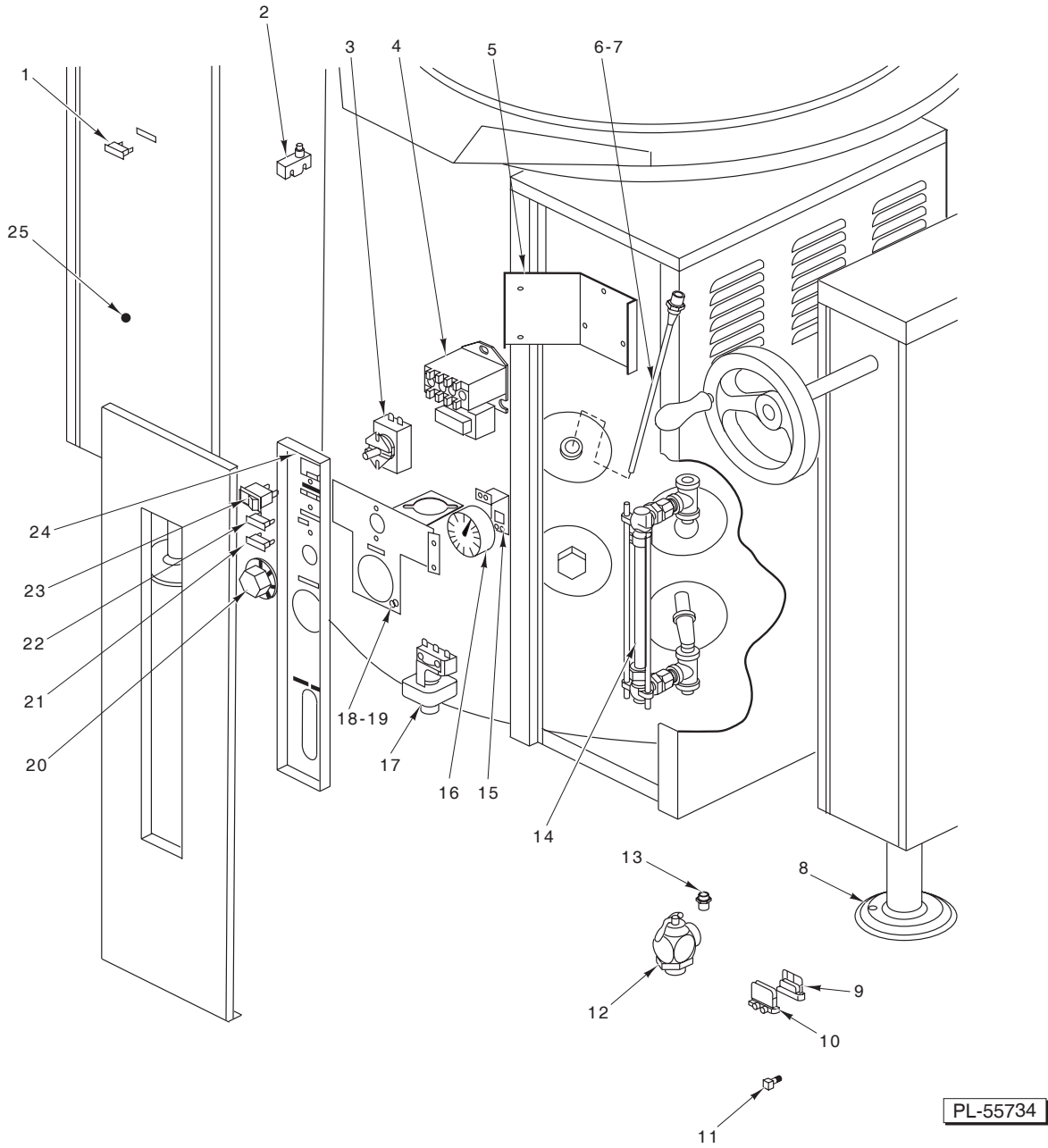


For additional information on Vulcan-Hart Company or to locate an authorized parts and service provider in your area, visit our website at [www.vulcanhart.com](http://www.vulcanhart.com)

VULCAN-HART  
DIVISION OF ITW FOOD EQUIPMENT GROUP, LLC  
[WWW.VULCANHART.COM](http://WWW.VULCANHART.COM)

P.O. BOX 696, LOUISVILLE, KY 40201-0696  
TEL. (800) 814-2028

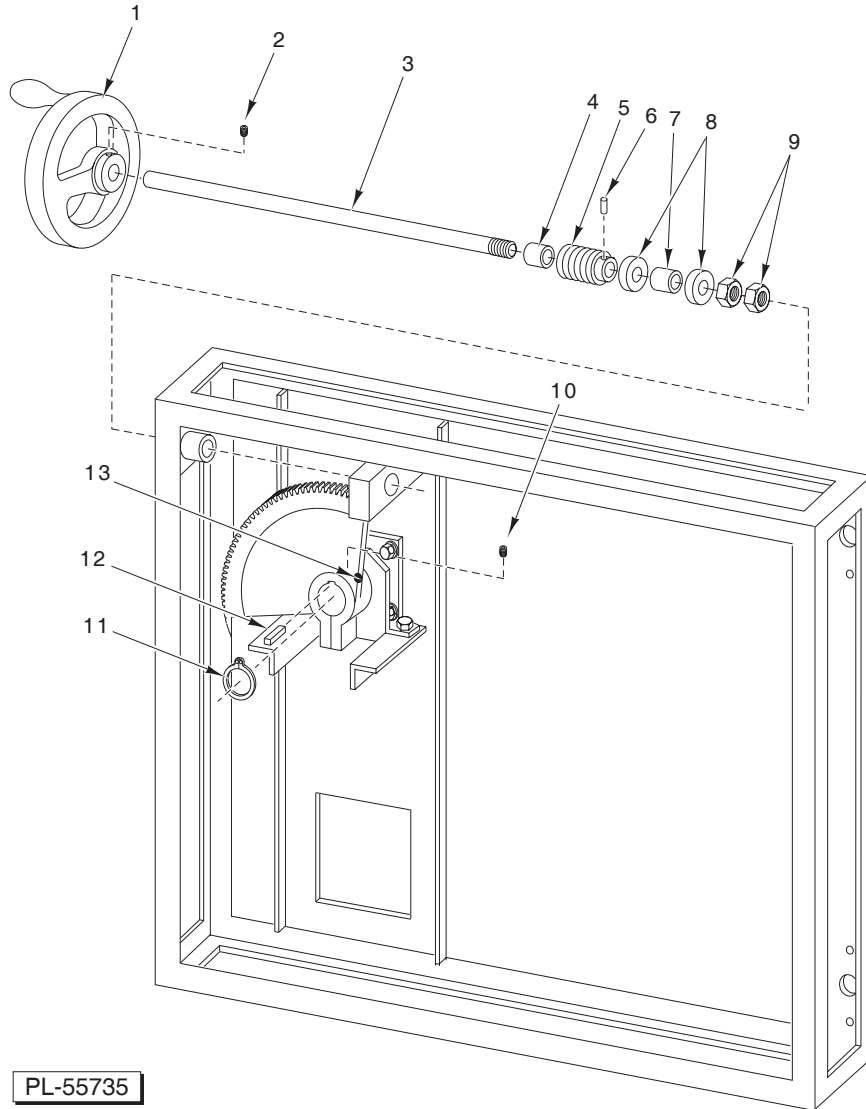
FORM 31223 Rev. A (September 2006)



**CONTROLS AND COMPONENTS**

**CONTROLS AND COMPONENTS**

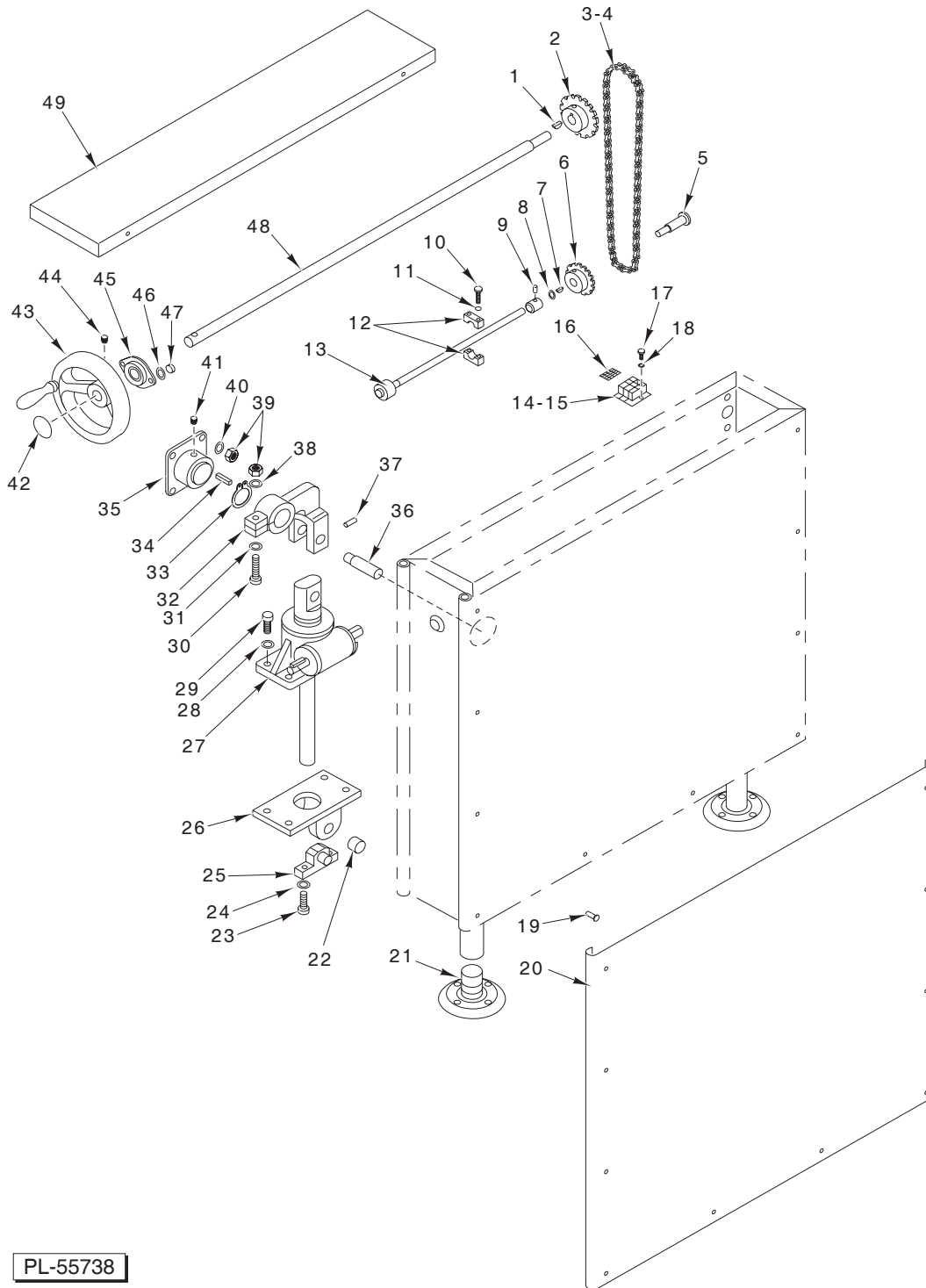
ILLUS.	PART NO.	NAME OF PART	AMT.
PL-55734			
1	00-850589	Pilot Light – Green (24 V.) .....	1
2	00-881971	Interlock Switch .....	1
3	00-844483	Thermostat .....	1
4	00-853021	L.W. Cut Off (PC Board) (Current Construction) .....	1
5	00-844482	L.W. Mounting Bracket .....	1
6	00-851572	Probe (20 & 40 Gallon) .....	1
7	00-851572	Probe (60 Gallon) .....	1
8	00-836958	Flanged Foot .....	4
9	00-840511	Terminal Block .....	2
10	00-843969	End Section .....	1
11	00-844493	Ground Lug .....	1
12	00-844492	Relief Valve (50 PSI) .....	1
13	00-881961	Vent .....	1
14	00-854273	Sight Glass Assy. ....	1
15	00-844488	Pressure Gauge Bracket .....	1
16	00-881979	Pressure Gauge .....	1
17	00-844322	Pressure Switch .....	1
18	00-844489	Mounting Bracket (20, 30, & 40 Gallon) .....	1
19	00-844490	Mounting Bracket (60 Gallon) .....	1
20	00-844487	Dial .....	1
21	00-844486	Pilot Light – Amber .....	1
22	00-844485	Pilot Light – Red .....	1
23	00-844321	Power Switch .....	1
24	00-844484	Poly Panel .....	1
25	00-844481	Label – Instruction .....	1
	00-850216	Cover (20 Gallon Kettle) .....	1
	00-850217	Cover (30 & 40 Gallon Kettle) .....	1
	00-844424	Cover (60 Gallon Kettle) .....	1
	00-844319	L.W. Cut Off (Mechanical) (Previous Construction) .....	1
	00-856601	Bottom Cover VGLT20 .....	1
	00-854293	Bottom Cover VGLT60 .....	1
	00-851018	Control Panel Cover (VGLT20, 30, 40) .....	1
	00-851020	Control Panel Cover (VGLT60) .....	1



**TILTING MECHANISM  
(FOR 20, 30, 40, & 60 GALLON UNITS)  
(PREVIOUS CONSTRUCTION)**

**TILTING MECHANISM  
(FOR 20, 30, 40, & 60 GALLON UNITS)  
(PREVIOUS CONSTRUCTION)**

ILLUS.	PART NO.	NAME OF PART	AMT.
PL-55735			
1	00-881962	Handwheel .....	1
2	00-853253	Set Screw .....	1
3	00-854316	Tilt Shaft .....	1
4	00-844455	Bushing .....	1
5	00-855086	Worm & Segment Gear Kit .....	1
6	00-836952	Tension Pin .....	1
7	00-844455	Bushing .....	1
8	00-881963	Thrust Bearing .....	2
9	00-844456	Jam Nut .....	2
10	00-853489	Set Screw .....	1
11	00-844457	Retaining Ring .....	1
12	00-850166	Key .....	1
13	00-855086	Worm & Segment Gear Kit .....	1

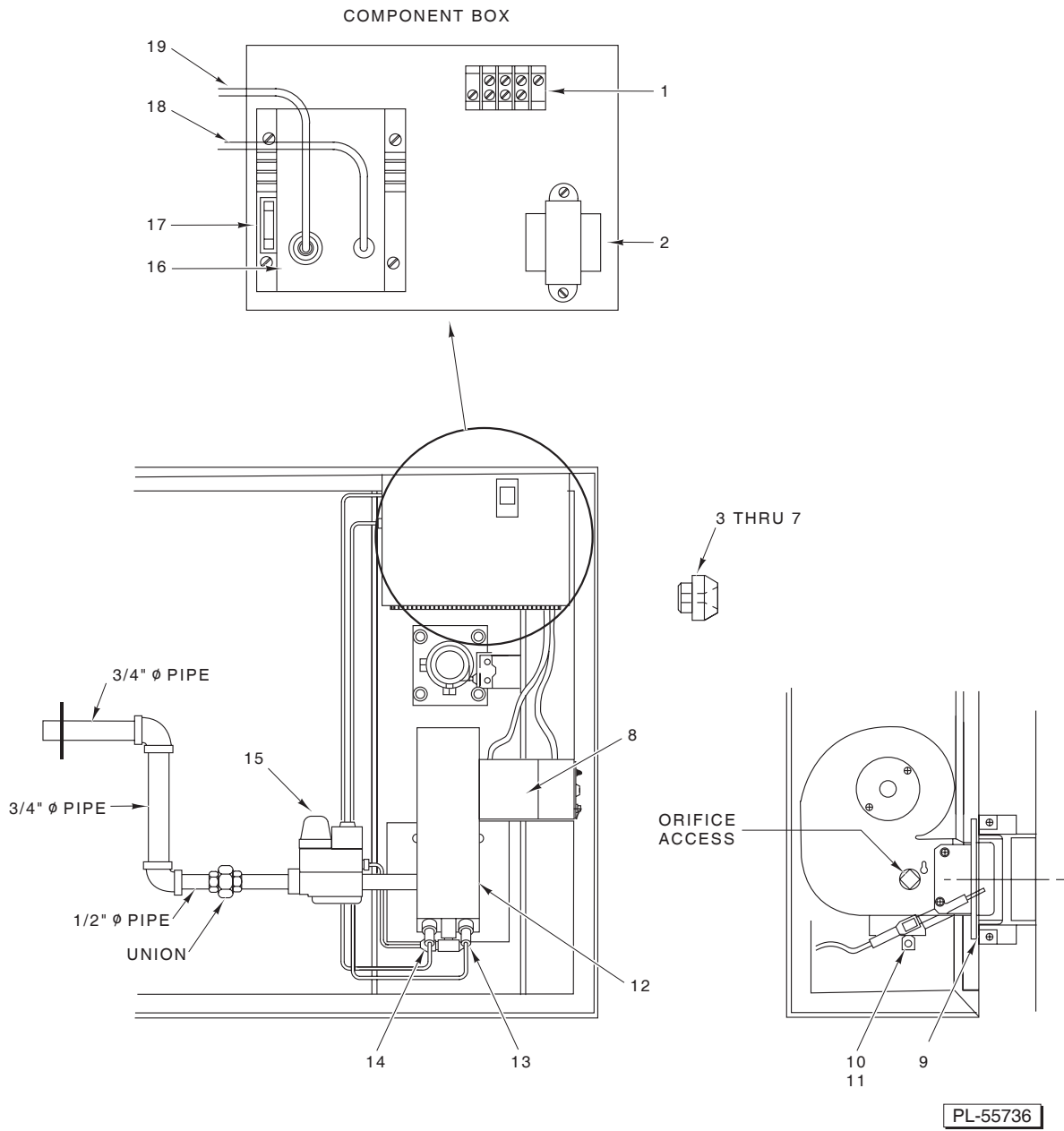


PL-55738

**TILT CONSOLE AND PARTS  
(CURRENT CONSTRUCTION)  
STARTING WITH S/N AP1028722 (30 GALLON),  
AP1028441 (40 GALLON), AP1028356 (60 GALLON)**

**TILT CONSOLE AND PARTS  
(CURRENT CONSTRUCTION)  
STARTING WITH S/N AP1028722 (30 GALLON),  
AP1028441 (40 GALLON), AP1028356 (60 GALLON)**

ILLUS. PL-55738	PART NO.	NAME OF PART	AMT.
1	00-854304-00027	Key .....	1
2	00-854304-00030	Sprocket .....	1
3	00-854304-00031	Chain .....	1
4	00-854304-00008	Link .....	1
5	00-854304-00029	Shaft – Output .....	1
6	00-854304-00028	Sprocket .....	1
7	00-854304-00027	Key .....	1
8	00-854304-00026	Retaining Ring .....	1
9	00-854304-00025	Set Screw 1/4-28 x 3/8 .....	1
10	00-854304-00015	Self-Tapping Screw 10-32 x 1 1/4 Phil. Truss Hd. ....	2
11	00-854304-00014	Washer .....	2
12	00-854304-00024	Shaft Guide .....	2
13	00-854304-00023	Flexible Shaft Assy. ....	1
14	00-840511	Terminal Block .....	2
15	00-843969	End Section .....	1
16	00-852016	Earth ID Tag .....	1
17	00-854304-00016	Self-Tapping Screw 8-32 x 1/4 Slotted Rd. Hd. ....	3
18	00-854304-00017	Washer #8 External .....	3
19	00-850073	Self-Tapping Screw 10-32 x 1/2 Slotted Truss Hd. ....	10
20	00-854304-00013	Side Panel .....	1
21	00-836958	Adjustable Foot .....	2
22	00-854304-00012	Bearing .....	2
23	00-854304-00007	Cap Screw 3/8-16 x 1 1/4 Hex Hd. ....	4
24	00-854304-00005	Washer .....	AR
25	00-854304-00011	Base Bracket Assy. ....	1
26	00-854304-00010	Base Assy. ....	1
27	00-854304-00009	Screw Jack .....	1
28	00-854304-00005	Washer .....	AR
29	00-854304-00007	Cap Screw 3/8-16 x 1 1/4 Hex Hd. ....	4
30	00-854304-00006	Cap Screw 3/8-16 x 2 1/8 Hex Hd. ....	1
31	00-854304-00005	Washer .....	AR
32	00-854304-00004	Arm .....	1
33	00-844457	Retaining Ring .....	1
34	00-850166	Key .....	1
35	00-851738	Trunnion Housing Assy. ....	1
36	00-854304-00018	Pin .....	1
37	00-854304-00019	Set Screw 1/4-20 x 1/2 Soc. Hd. ....	1
38	00-854304-00020	Lockwasher 3/8 .....	AR
39	00-853310	Nut 3/8-16 Hex .....	7
40	00-854304-00020	Lockwasher 3/8 .....	AR
41	00-854304-00021	Grease Fitting .....	1
42	00-851360	Tilt Label .....	1
43	00-881962	Handwheel .....	1
44	00-853253	Set Screw .....	1
45	00-854304-00002	Front Bearing .....	1
46	00-854304-00022	Washer .....	2
47	NS-015-16	Nut 5/16-18 Hex .....	2
48	00-854304-00003	Tilt Shaft .....	1
49	00-854304-00001	Console Cover .....	1

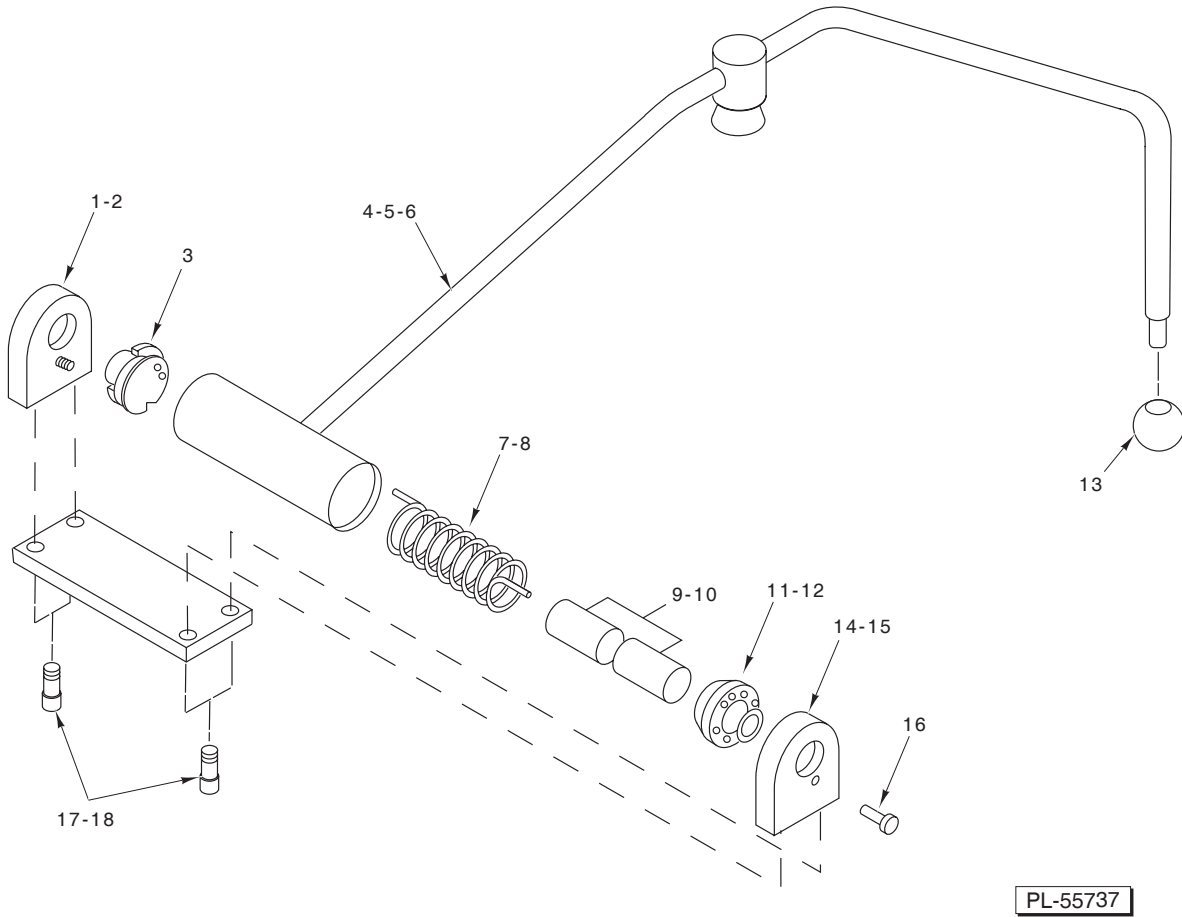


**GAS COMPONENTS**



**GAS COMPONENTS**

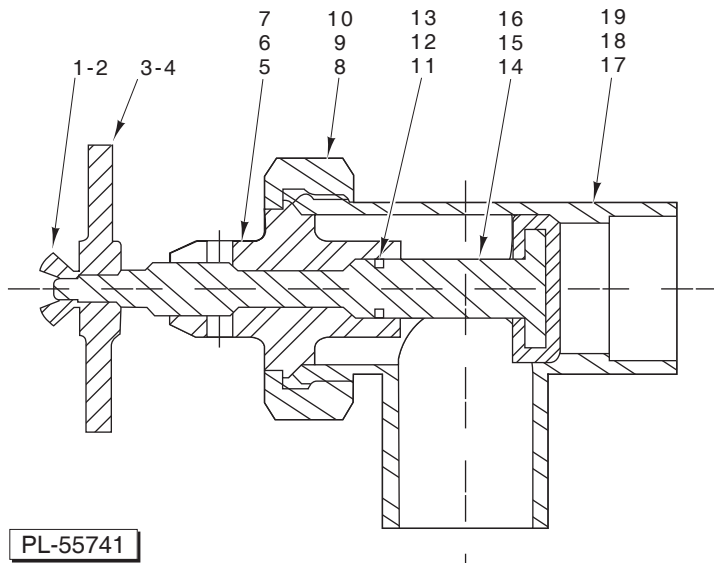
ILLUS.	PART NO.	NAME OF PART	AMT.
PL-55736			
1	00-850199	Terminal Block .....	1
2	00-850200	Transformer .....	1
3	00-850207	Orifice #23 (20 Gallon) (Natural Gas) .....	1
4	00-850208	Orifice #17 (30 & 40 Gallon) (Natural Gas) .....	1
5	00-850209	Orifice #12 (60 Gallon) (Natural Gas) .....	1
6	00-850211	Orifice #32 (30 & 40 Gallon) (LP Gas) .....	1
7	00-850212	Orifice #28 (60 Gallon) (LP Gas) .....	1
8	00-850202	Motor (120 V.) .....	1
9	00-850206	Gasket .....	1
10	00-853546-00002	Orifice Tee #55 (Natural Gas) .....	1
11	00-853546	Orifice Tee #58 (LP Gas) .....	1
12	00-851008	Complete Burner Assy. ....	1
13	00-850412	Ignitor (Sensor) .....	1
14	00-850412	Ignitor .....	1
15	00-850201	Gas Regulator .....	1
16	00-850198	Direct Spark Ignitor Module .....	1
17	00-850177	Fuse (3 Amp.) (250 V.) .....	1
18	00-851642	Sensor Cable .....	1
19	00-850197	Ignition Cable .....	1
	00-855519	Blower Wheel (VGLT60) .....	1
	00-850442	Burner Box (VGLT60) .....	1
	00-852957	Burner Box (VGLT20) .....	1
	00-851837	Burner Box (VGLT30, VGLT40) .....	1



**SPRING ASSIST HINGE ASSEMBLY**

**SPRING ASSIST HINGE ASSEMBLY**

ILLUS.	PART NO.	NAME OF PART	AMT.
PL-55737			
1	00-836993	End Stop Plate (20, 30, & 40 Gallon) .....	1
2	00-836993	End Stop Plate (60 Gallon) .....	1
3	00-836983	Rotary Disc .....	1
4	00-850213	Handle Assy. (20 Gallon) .....	1
5	00-850214	Handle Assy. (30 & 40 Gallon) .....	1
6	00-850215	Handle Assy. (60 Gallon) .....	1
7	00-844367-00035	Spring (20, 30, & 40 Gallon) .....	1
8	00-836990	Spring (60 Gallon) .....	1
9	00-844367-00034	Cores (20, 30, & 40 Gallon) .....	2
10	00-836989	Cores (60 Gallon) .....	2
11	00-836979	Stationary Disc (20, 30, & 40 Gallon) .....	1
12	00-836988	Stationary Disc (60 Gallon) .....	1
13	00-836964	Knob .....	1
14	00-836978	End Lock Plate (20, 30, & 40 Gallon) .....	1
15	00-844367-00040	End Lock Plate (60 Gallon) .....	1
16	00-836986	Lock Pin .....	1
17	00-844367-00036	Cap Screws (20, 30, & 40 Gallon) .....	4
18	SC-041-10	Cap Screws (60 Gallon) .....	4
	00-844459	Hinge Assy. (20, 30, & 40 Gallon) (Incls. Items 1, 3, 4, 5, 7, 9, 11, 13, 14, 16, & 17) .....	1
	00-844461	Hinge Assy. (60 Gallon) (Incls. Items 2, 6, 8, 10, 12, 15, & 18) .....	1



**DRAW OFF VALVE ASSEMBLY**

ILLUS.	PART NO.	NAME OF PART	AMT.
PL-55741			
1	00-836939	Wing Nut 10-24 (1 1/2 In. & 2 In. Draw Off Valve Assy.)	1
2	00-836940	Acorn Nut - 7/16-14 (3 In. Draw Off Valve Assy.)	1
3	00-836967	Handle (SST) (1 1/2 In. & 2 In. Draw Off Valve Assy.)	1
4	00-836942	Handle (SST) (3 In. Draw Off Valve Assy.)	1
5	00-836946	Bonnet (1 1/2 In. Draw Off Valve Assy.)	1
6	00-836947	Bonnet (2 In. Draw Off Valve Assy.)	1
7	00-836948	Bonnet (3 In. Draw Off Valve Assy.)	1
8	00-836943	Gland Nut (1 1/2 In. Draw Off Valve Assy.)	1
9	00-836944	Gland Nut (2 In. Draw Off Valve Assy.)	1
10	00-836945	Gland Nut (3 In. Draw Off Valve Assy.)	1
11	00-836966	O-Ring (1 1/2 In. Draw Off Valve Assy.)	1
12	00-836953	O-Ring (2 In. Draw Off Valve Assy.)	1
13	00-836954	O-Ring (3 In. Draw Off Valve Assy.)	1
14	00-850218	Stem Assy. (1 1/2 In. Draw Off Valve Assy.)	1
15	00-836950	Stem Assy. (2 In. Draw Off Valve Assy.)	1
16	00-836951	Stem Assy. (3 In. Draw Off Valve Assy.)	1
17	00-836955	Valve Body (1 1/2 In. Draw Off Valve Assy.)	1
18	00-836956	Valve Body (2 In. Draw Off Valve Assy.)	1
19	00-836957	Valve Body (3 In. Draw Off Valve Assy.)	1
	00-851291	Draw Off Valve Complete (1 1/2" )	1
	00-851293	Draw Off Valve Complete (2")	1
	00-851294	Draw Off Valve Complete (3")	1
	00-851561	Perforated Strainer (1 1/2" Draw Off Valve)	1
	00-850593	Perforated Strainer (2" Draw Off Valve)	1
	00-840554	Perforated Strainer (3" Draw Off Valve)	1

**RECOMMENDED SPARE PARTS**

PART NO.	NAME OF PART	AMT.
00-851572	Probe (20, 30, 40 Gallon) .....	1
00-854294-00002	Probe (60 Gallon) .....	1
00-844319	Low Water Cut Off (Mechanical) .....	1
00-853021	Low Water Cut Off (PC Board) .....	1
00-844483	Thermostat .....	1
00-844487	Thermostat Knob .....	1
00-844321	Power Switch .....	2
00-850198	Ignition Module .....	1
00-881991	Fuse (3-amp 25V) .....	2
00-881992	Fuse Holder .....	2
00-844322	Pressure Switch .....	1
00-850207	Burner Orifice (Nat. Gas) (20 Gallon) (#23) .....	2
00-850210	Burner Orifice (L.P. Gas) (20 Gallon) (#36) .....	2
00-850208	Burner Orifice (Nat. Gas) (30/40 Gallon) (#17) .....	2
00-850211	Burner Orifice (LP. Gas) (30/40 Gallon) (#32) .....	2
00-850209	Burner Orifice (Nat. Gas) (60 Gallon) (#12) .....	2
00-850212	Burner Orifice (L.P. Gas) (60 Gallon) (#28) .....	2
00-844492	Pressure Relief Valve (50 lb.) .....	1
00-881979	Pressure Gauge .....	1
00-854273	Sight Glass Assy. ....	1
00-881962	Air Vent .....	1
00-850200	Transformer .....	1
00-844327	Purge Relay .....	1
00-844485	Red Cooking Light .....	1
00-844486	Amber Low Water Light .....	1

## Free Manuals Download Website

<http://myh66.com>

<http://usermanuals.us>

<http://www.somanuals.com>

<http://www.4manuals.cc>

<http://www.manual-lib.com>

<http://www.404manual.com>

<http://www.luxmanual.com>

<http://aubethermostatmanual.com>

Golf course search by state

<http://golfingnear.com>

Email search by domain

<http://emailbydomain.com>

Auto manuals search

<http://auto.somanuals.com>

TV manuals search

<http://tv.somanuals.com>