

VULCAN

CATALOG OF REPLACEMENT PARTS

SCALEBLOCKER™ WATER FILTER SYSTEM

Model

SMF600

SMF620



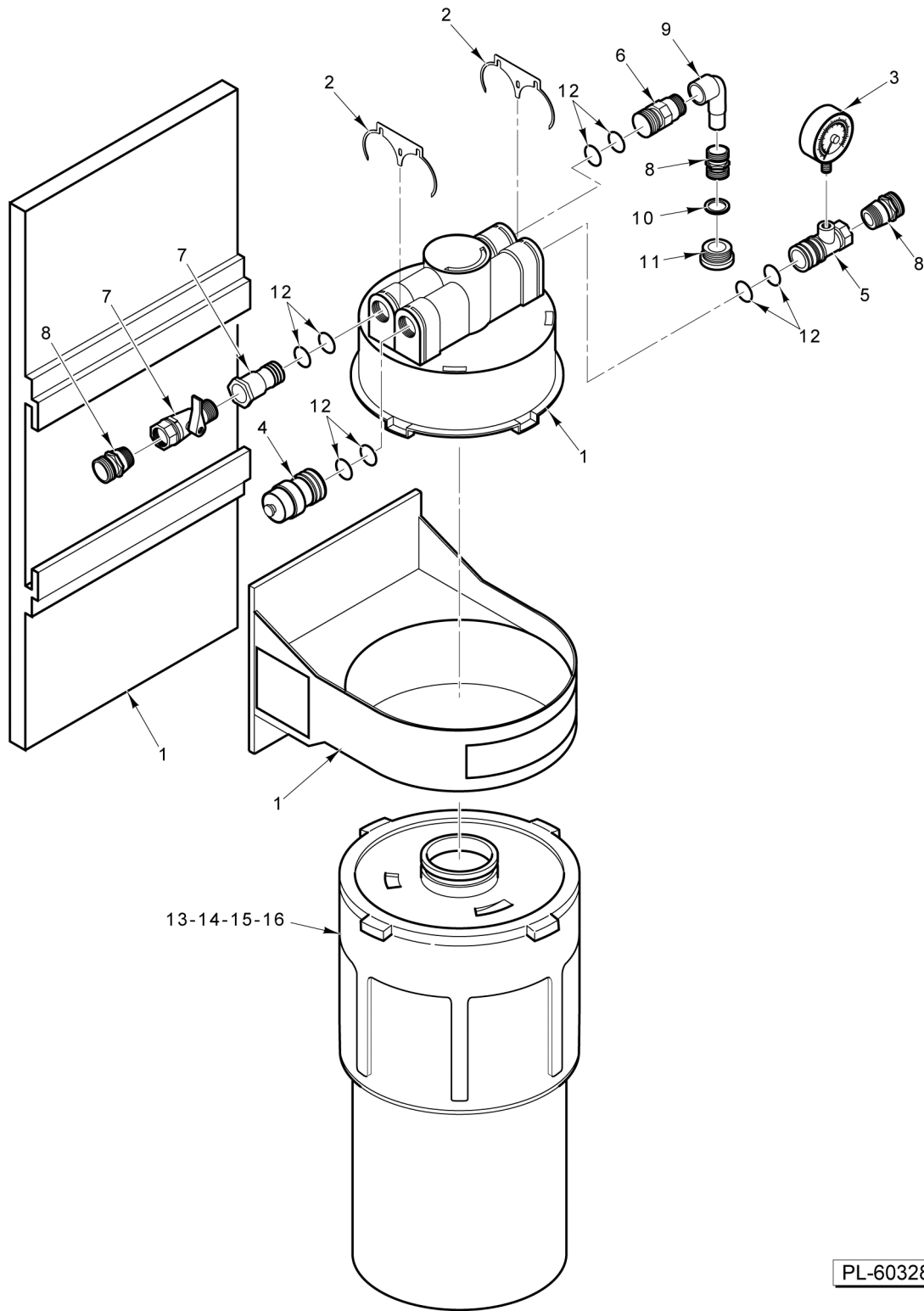
For additional information on Vulcan-Hart Company or to locate an authorized parts and service provider in your area, visit our website at www.vulcanequipment.com

VULCAN-HART
DIVISION OF ITW FOOD EQUIPMENT GROUP, LLC
WWW.VULCANEQUIPMENT.COM

3600 NORTH POINT BLVD.
BALTIMORE, MD 21222
F-43291 (March 2014)

Table of Contents

5 SMF600 & SMF620 FILTER SYSTEM



PL-60328

SMF600 & SMF620 FILTER SYSTEM

SMF600 & SMF620 FILTER SYSTEM

ILLUS.	PART NO.	NAME OF PART	AMT.
PL-60328			
1	00-857487-00016	SMF Head Assy. (Incls. Brackets).....	1
2	00-857487-00017	Clip.....	2
3	00-857487-00014	Gauge.....	1
4	00-857487-00015	Valve - Relief.....	1
5	00-857487-00012	Tee - Outlet Assy. (With Test Port) (Filtered) (Incls. Items 2 & 12).....	1
6	00-857487-00013	Outlet Assy. (Unfiltered) (Incls. Items 2 & 12).....	1
7	00-857487-00011	Inlet Valve Assy. (Incls. Items 2 & 12).....	1
8		Adapter 3/4 MNPT x 3/4 GHT.....	3
9		Elbow - Street 1/2 NPT SCH80 Nylon (Glass Reinforced).....	1
10		Washer - Hose.....	1
11		Cap 3/4 GHT.....	1
12	00-857487-00019	Kit - O-Ring.....	AR
13	00-857487-SMFDT	Cartridge (10 In.) (With Delime Diptube).....	1
14	00-857487-00018	Diptube.....	1
15	00-857487-00600	PM Kit Cartridge (10 In.).....	1
16	00-857487-00620	PM Kit Cartridge (20 In.).....	1

Free Manuals Download Website

<http://myh66.com>

<http://usermanuals.us>

<http://www.somanuals.com>

<http://www.4manuals.cc>

<http://www.manual-lib.com>

<http://www.404manual.com>

<http://www.luxmanual.com>

<http://aubethermostatmanual.com>

Golf course search by state

<http://golfingnear.com>

Email search by domain

<http://emailbydomain.com>

Auto manuals search

<http://auto.somanuals.com>

TV manuals search

<http://tv.somanuals.com>