



Information and Operation Manual

Thank You.

All of us at Wadia would like to offer thanks and congratulations to you for purchasing the Wadia 27i Decoding Computer.

We sincerely believe that your Wadia 27i is an intelligent purchase decision that will bring you many years of musical pleasure and satisfaction.

While every new owner is anxious to begin listening, we encourage you to take a few minutes to read this manual and familiarize yourself with the full capabilities of the Wadia 27i Decoding Computer,



If you are in a hurry to listen, please read the sections of this manual where the symbol at left is shown.

Table of Contents

WADIA DIGITAL

5

A Brief History

INSTALLATION

6

Unpacking
The Accessory Kit
Installing the Spiked Feet
Installing Batteries in the Remote Control

CONNECTIONS

7

Connecting to AC Power
Connecting to a CD Transport or Other Digital Source
Choosing a Digital Cable
Clocklink
Connecting Clocklink
Connecting Directly to an Amplifier
Connecting to a Preampfier
Optimizing the Analog Output Level

QUESTIONS

12

Should I use Balanced or Unbalanced connection?
Why should I bypass the Preampfier?
Does the Wadia Digital Volume Control compromise resolution?
Can I bypass the Wadia Digital Volume Control?
What about Analog Sources?
Should I leave the Wadia 27i with the power on?

REMOTE CONTROL

13

OPERATION

14

CONFIGURING INPUTS

16

Input Enabled or Disabled
Clocklink On or Off
Custom Input Names

APPENDICES

21

Troubleshooting
Software License Agreement
Environmental Care
Important Safety Precautions
Specifications
Warranty

Wadia DIGITAL

Wadia Digital Corporation was founded in 1988, making it one of the oldest digital audio companies in existence. Wadia was formed by a group of engineers from the Minneapolis-based 3M Corporation (Minnesota Mining and Manufacturing) who had compiled many years of experience in advanced digital and telecommunications research and development.

In the early 1980's, this group had become intrigued by the emerging CD technology. Disappointed by the sound of early CD players, they examined the designs and found them to be unsophisticated compared with the technology available in other areas of digital design. In response, they founded Wadia Digital - a company based on the philosophy of applying advanced technology to improve the performance of digital home entertainment equipment.

Wadia's first product, the Wadia 2000 Decoding Computer, was a breakthrough. For many listeners, it proved the viability of Compact Disc as a musically involving format. Ever since, Wadia has continued to develop on the original technology; refining, listening and improving along the way. Since the Wadia 2000, new generations of even higher performance designs have been introduced. Each step of the way, Wadia has raised the standard for performance of CD playback.

Here is an abbreviated list of the technological innovations the Wadia engineers have pioneered over the past 10 years:

- First outboard Digital-to-Analog converter
- DigiMaster patented algorithm (filter optimized for reproducing music)
- First company to apply glass fiber-optics to home audio
- First company to recognize jitter as a source of audible distortion
- First to perfect digital volume control
- First high-end CD player competitive with expensive separates
- ClockLink proprietary jitter reduction technology

Although Wadia's digital expertise and track record exceed those of any audio company, technology alone does not guarantee musical performance. Wadia designs are born of a delicate balance of technology shaped by a passion for music.

Now past our tenth year, Wadia continues to redefine the limits of digital music playback. We are proud to introduce the Wadia 27i- a breakthrough in sonic performance and a strong statement of our years of dedication to music.

Installation

UNPACKING

After carefully unpacking your Wadia 27i Decoding Computer, inspect it for any shipping damage and call your dealer immediately if any is found.



Do not plug your Wadia 27i Decoding Computer into any outlet if you find shipping damage.

Please save all packing materials so the unit can be easily and safely shipped if the need arises.

THE ACCESSORY KIT

Included in the carton, you will find an accessory kit that contains the following:

- Four steel spiked feet with threaded studs
- Four steel coasters
- Remote Control and batteries
- Glass Optical Cable
- RCA-to-BNC adapter
- AC power cord

INSTALLING THE SPIKED FEET



Do not tip the unit onto the back panel. This can damage input and/or output connectors.

Place the Wadia 27i on a non-marring surface; screw one of the spiked feet into the threaded hole in each corner of the bottom panel.

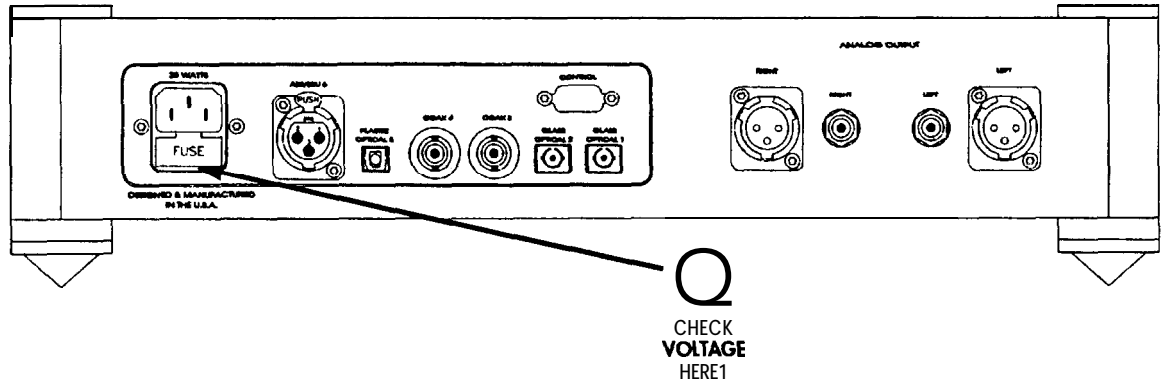
Position the Wadia 27i where you would like it to reside in your system. We recommend choosing a solid, non-resonant, level surface for best performance. If this surface is susceptible to damage, place one of the steel coasters under each spiked foot.

You can adjust the spiked feet so that the Wadia 27i sits firmly on all four feet. Place your hand on top of the unit and gently rock it back and forth. If the unit moves, notice which foot is raised, then adjust it by screwing it down from the chassis (clockwise looking from the top of the unit). Repeat until the unit is stable.

INSTALLING BATTERIES IN REMOTE CONTROL

To install the batteries, remove the back cover by removing the screws found on the back of the remote. Insert the batteries as indicated on the battery holders.

CONNECTING TO AC POWER



Check to make sure your *Wadia 27i Decoding Computer* has been manufactured for operation at **your AC line voltage**. Attempting to use **your Wadia 27i Decoding Computer at any voltage other than specified on the rear of the unit may cause damage which is not covered by Wadia's warranty. If the voltage specified is different from your AC voltage, contact your Wadia dealer**

USING AC LINE CONDITIONERS

In most cases, best performance is obtained when the Wadia 27i is plugged directly into the wall outlet using the AC power cord provided. The Wadia 27i employs extensive power-line filtering and noise suppression technology. It should not be necessary to use power conditioners or after-market power cords. If you wish to experiment with any of these devices, work closely with your dealer and most of all, trust your own ears.

USING A "SURGE PROTECTOR"

Although the Wadia 27i will resist significant voltage spikes, it can still be damaged by extreme voltage overload such as a lightning strike. Such damage is not covered by the warranty. In some circumstances, a "surge protector" can help prevent this type of damage. However, surge protectors often degrade sound quality. Each Wadia owner must weigh the protection offered by a surge protector against the sonic degradation.

CONNECTING TO A CD TRANSPORT OR OTHER DIGITAL SOURCE



Avoid allowing static shocks to be applied to the inputs or outputs. To prevent static shocks, touch any grounded *surface*, such as the Wadia 27i chassis, before connecting or removing a cable. It is unlikely that a static shock will damage the unit, but it may cause the Wadia 27i Decoding Computer circuitry to "lock-up" (see Lock-Up under Trouble Shooting in "Appendices").

Inputs and outputs can be safely connected to the Wadia 27i Decoding Computer either:

- Before the unit is powered up
- When the unit is in Relay-Mute mode (See "Mute Modes" in General Operation)

The Wadia 27i Decoding Computer has six digital inputs:

- Input 1: Glass fiber optical
- Input 2: Glass fiber optical
- Input 3: Coaxial with BNC connector
- Input 4: Coaxial with BNC connector
- Input 5: AES/EBU with XLR type connector
- Input 6: Plastic optical TOSLINK

To connect a digital source, install a digital cable between the digital output of that source and a digital input of the Wadia 27i.

The Wadia 27i will automatically adjust to the sampling rate of any standard 32K, 44.1 K, or 48K digital audio format.



Input 1 is factory configured for ClockLink. Using a non-ClockLink source connected to a ClockLink input results in sonic degradation. To disable ClockLink see "*Configuring Inputs.*"

CHOOSING A DIGITAL CABLE

While the Wadia 27i supports all currently accepted transmission formats for digital audio, we recommend using the glass optical cable that is included in your accessory kit. Wadia Digital was the first company to use glass fiber-optic data transmission in digital audio. We have continually improved this format and believe that it offers the best, most consistent performance of all the available options.

Based on our experience, here is a list of digital interface methods in descending order of performance:

1. Glass optical (as implemented by Wadia)
2. AES/EBU using XLR connector
3. Coaxial cable using BNC connector
4. Coaxial cable using RCA connector
5. TOSLINK plastic-optical cable

The quality of any of these transmission methods depends on the quality of the cable and the sophistication of the transmitter and receiver. For example, a high-quality coaxial cable can outperform a low-quality AES/EBU cable. A high-quality AES/EBU cable will outperform a poorly-implemented glass-optical system.

We recommend that if you are using a coaxial cable, have the cable terminated with a BNC connector. This will provide higher performance than an RCA connector. Your Wadia 27i comes with an RCA/BNC adapter that can be used for experimentation between different types of RCA terminated coaxial cable.

Again, we highly recommend that you take advantage of your dealer's experience and, most importantly, trust your ears.

All XLR-type inputs and outputs on the Wadia 27i Decoding Computer, both digital and analog, use the standard audio pin configuration:

- Pin 1 • Ground
- Pin 2 • Positive signal
- Pin 3 • Negative signal

CLOCKLINK

ClockLink is a proprietary Wadiadesigned system that improves sonic performance by greatly reducing clock jitter. In 1990, Wadia became the first company to identify clock jitter as a distortion in CD playback systems and we have been refining our jitter reduction technology ever since. ClockLink is the most effective jitter reduction technology to date.

In most CD playback systems, the system master clock is located at the transport. As the clock signal is transmitted to the digital-to-analog converter, it is contaminated with noise. This noise results in uneven time intervals between output pulses from the DAC. This inconsistency causes measurable and audible distortion.

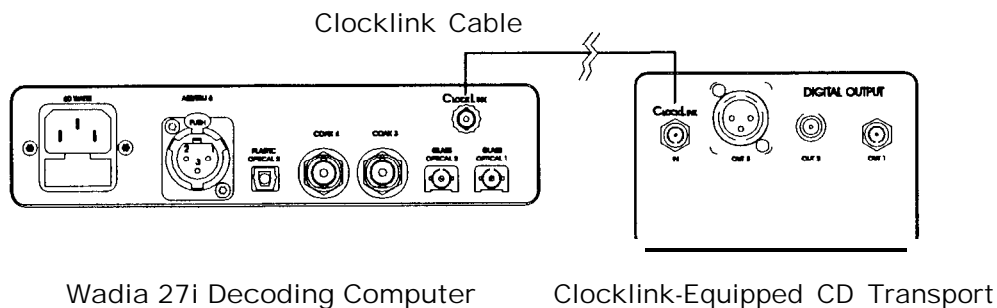
With ClockLink the system master clock is located very close to the DAC chips in the digital-to-analog converter system. This simplifies the path through which the clock signal must travel, minimizing the opportunity for jitter to contaminate the clock signal. This approach offers lower jitter than any previous jitter reduction method, and a commensurate improvement in sonic performance.

The Wadia 27i also uses improved clock circuitry for non-ClockLink sources. This circuitry results in noticeable sonic improvements with non-ClockLink digital sources.

CONNECTING CLOCKLINK

If you are using a digital source equipped with Clocklink, such as a Wadia 270 in a Clocklink mode, an ST-type glass fibercable must be installed between the Wadia 27i Clocklink Output and your CD transport Clocklink Input.

This cable is installed as shown below.



CONNECTING DIRECTLY TO AN AMPLIFIER

We strongly recommend that you connect your Wadia 27i Decoding Computer directly to your power amplifier. Even if you purchased your Wadia 27i with the intention of connecting it through a preamplifier, we suggest that you experiment with direct connection to your amplifier. Many listeners are surprised by the improvement in performance over even the most expensive preamplifiers. If you would like more information about getting best performance from a system without a preamplifier, contact your Wadia dealer.

To connect your Wadia 27i to a power amplifier, ensure that your power amplifier is turned off, then connect your analog interconnects from the Wadia 27i balanced or unbalanced analog outputs to the amplifier's inputs.

CONNECTING TO A PREAMPLIFIER

While the Wadia 27i Decoding Computer was designed to be used without a preamplifier, it will provide excellent operation in a conventional system with a preamplifier. Simply connect the analog outputs from the Wadia 27i to a pair of linelevel inputs on the preamplifier.

When using a preamplifier, disable the Wadia **27i** volume control by setting it to its maximum volume.

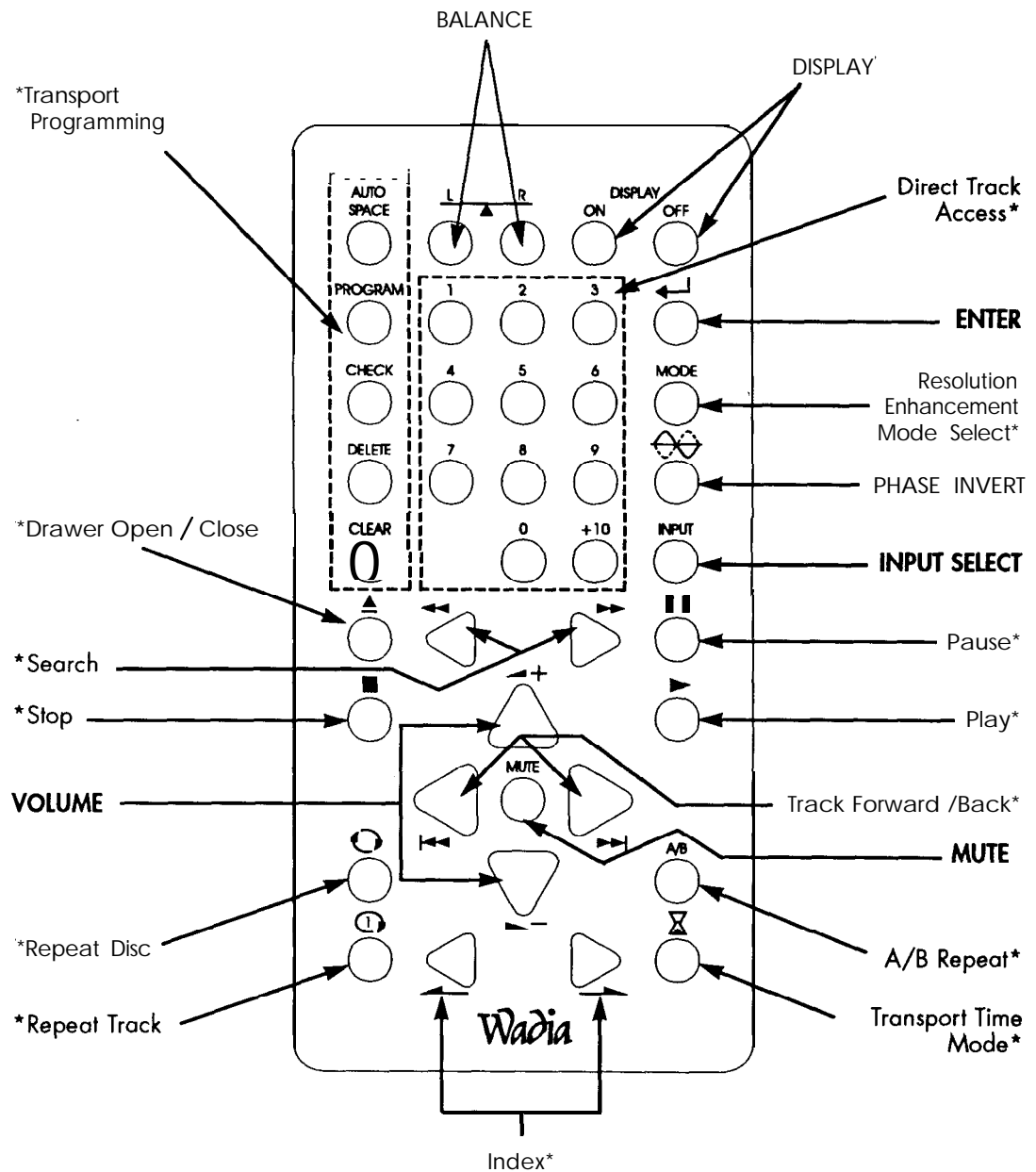
OPTIMIZING THE ANALOG OUTPUT LEVEL

Best performance is obtained when the Wadia Digital Volume Control is operated close to its maximum level. If you find that your critical listening occurs with the volume lower than 65 on the display, then it may be advantageous to attenuate the output. This is done by manipulating a set of internal switches. If you would like to change the output level, consult your dealer.

The Wadia **27i** output level is factory set at 4.2 volts which will accommodate the most common range of system sensitivity without needing adjustment.

Remote Control

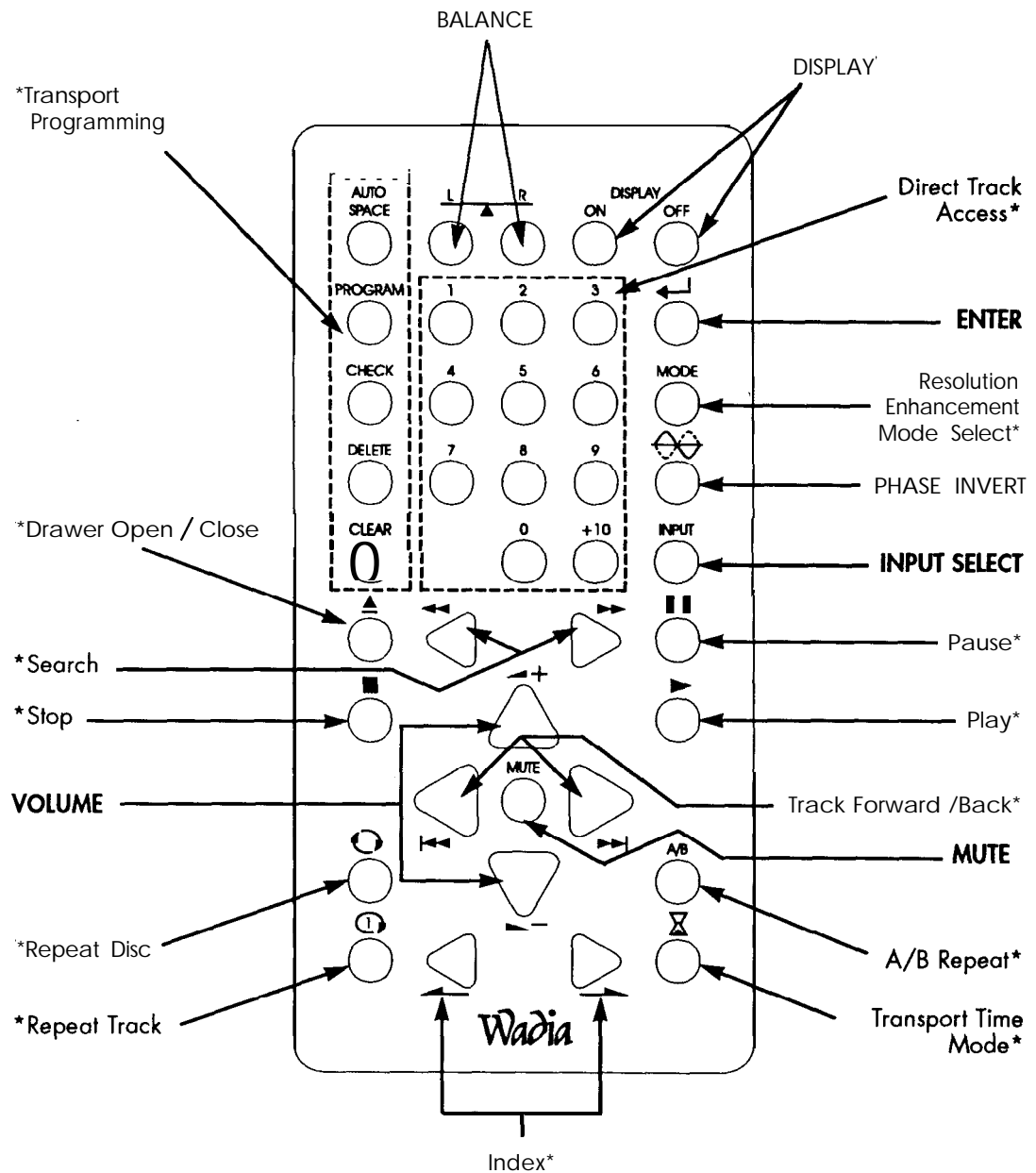
Configuration and operation of the Wadia 27i requires the use of the remote control.



* These buttons are used to control a Wadia Transport. Consult your transport owner's manual for further information.

Remote Control

Configuration and operation of the Wadia 27i requires the use of the remote control.



* These buttons are used to control a Wadia Transport. Consult your transport owner's manual for further information.

INVERTING ABSOLUTE PHASE: The Wadia 27i has the ability to invert absolute phase in the digital domain. Pressing the Phase Invert key on the remote control will cause the Wadia 27i to invert phase; pressing it again will switch the phase back to normal. Whenever the Phase Invert key on the remote control is pressed, the display will change to the Status Screen, as shown below. The Status Screen indicates whether the current signal uses pre-emphasis and whether the phase is normal or inverted.



PHASE : NORMAL
EMPHASIS : NO

CHANGING BETWEEN DISPLAY SCREENS: During normal operation, the Wadia 27i display will switch between the display screens to show information about which functions are being accessed. For example, the Balance Screen will be displayed if the balance keys on the remote control are pressed.

Pressing the Enter key will advance through the display screens in the following order:

1. Volume Screen
2. Brightly-illuminated Volume Screen
3. Balance Screen
4. Input Screen
5. Status Screen
6. Configuration Screens (18 screens total, see "Configuration" for more information)
7. Back to the Volume Screen

TURNING DISPLAY ON/OFF: By pressing the Display On or Off key, the Wadia 27i display can be turned off completely. Several of Wadia's transports will respond to the same key, allowing you to control both displays at the same time.

If the display is turned off, it will reappear for five seconds whenever a Wadia 27i function key on the remote control is pressed.

MUTE MODES: The Wadia 27i Decoding Computer has two Mute Modes that are automatically engaged under different circumstances.

DSP-SOFTWARE MUTE: When the Mute key is pressed on the remote control, the Wadia 27i Decoding Computer's DSP engine transmits a stream of zero signal level samples to the DAC section, which results in zero output.

OUTPUT-RELAY MUTE: The Wadia 27i Decoding Computer has mute relay connected between the positive and negative outputs. When this relay is engaged, it connects the positive output to the negative output, reducing the output to zero. This relay, which produces an audible click when it engages or disengages, is not in the music signal path. The mute relay is engaged:

- When the Wadia 27i Decoding Computer detects AC input level below its minimum operating range
- Each time the Wadia 27i Decoding Computer is powered-up
- When the volume control is set to zero AND the Mute key on the remote control is pressed.

When the Wadia 27i is in either Mute Mode, the Volume Screen will indicate this by displaying the word, "MUTE."

Configuring Inputs

Each of the Wadia 27i digital inputs can be configured to match your system requirements. There are three configuration parameters for each input:

1. Configure Input Enabled or Disabled
2. Configure ClockLink On or Off
3. Configure Input Name

ENTERING CONFIGURATION MODE

All configuration changes are done in the Configuration Mode. To enter Configuration Mode, press the Enter key repeatedly until the display shows the configuration screens. All of the configuration screens have the word "CONFIGURE" on the top row. Each input has three configuration screens, one for each of the three configuration parameters listed above. As you repeatedly press the enter key, the Wadia 27i will scroll past the configuration screens for each input, first showing the screens for input 1, then Input 2, and so on.

SAVING CONFIGURATIONS

Any time you change a configuration setting, it is automatically saved in volatile memory where it will be stored unless the AC power is turned off. If the AC power is turned off, the Wadia 27i will revert to the last configuration settings that were saved in non-volatile memory. If none have ever been saved to non-volatile memory, the Wadia 27i will revert to the factory settings. If you want to save your configuration settings in non-volatile memory so that they will remain even if the AC power is turned off, use the Mute key, as described below, when exiting the Configuration Mode.

EXITING CONFIGURATION MODE

There are three ways to exit the Configuration Mode:

Mute: Pressing the Mute key will save all new configuration settings in non-volatile memory and exit the Configuration Mode.

Time-out: If you do not press any key for approximately 16 seconds, the Wadia 27i will exit the Configuration Mode.

Scroll out: If you continue to press the Enter key over and over again, you will scroll past all the configuration screens, out of Configuration Mode and back to the volume or status screen.

If you leave the Configuration Mode by timing out, you must press the Input Select key to make the new configuration settings take effect. If you leave Configuration Mode without pressing Mute, any changes will be stored in volatile memory where they will be lost if AC power is turned off.

INPUT ENABLED OR DISABLED

Each input can be configured as either enabled or disabled:

Enabled: If you intend to use an input, configure it as enabled. This allows the input to function normally.

Disabled: If you do not intend to use an input, configure it as disabled. When an input is disabled, it will not be visible when using the input key on the remote control to select an input for listening. This saves you from having to scroll past unused inputs when selecting your source.

In addition, if an input is configured as disabled, the Configure Clocklink and Configure Name Screens for that input are not available when scrolling through the configuration screens.

There is no sonic advantage to disabling the unused inputs. The Wadia 27i and the original Wadia 27 are equipped with "sleeping inputs." All circuitry associated with individual inputs is shut down whenever that input is not selected, minimizing noise.

To configure a source as either enabled or disabled, press the Enter key repeatedly until the Configuration Screen for that input appears. Below, we see the Configure Enable/Disable Screen for Input 1, which is currently configured as Enabled.

```
          C O N F I G U R E
1 N 1 : E N A B L E D
```

Using the Volume Up or Volume Down key, select between Enabled and Disabled.

FACTORY SETTING

When shipped from the factory, all of the Wadia 27i inputs are configured as enabled.

CLOCKLINK ON OR OFF

Each digital input on the Wadia 27i can be configured as either ClockLink On or ClockLink Off.

Clocklink On: Should be used only with ClockLink sources, such as the Wadia 27i.

ClockLink Off: Should be used with all non-ClockLink sources.

To change the ClockLink configuration for any input, press the Enter key repeatedly until the Configure ClockLink Screen for the desired input is displayed. The picture below shows the Configure ClockLink Screen for Input 2 showing Clocklink On.



```
          C O N F I G U R E
1 N  2 : C L O C K L I N K  O N
```

Using the Volume Up or Volume Down key, select the desired setting

FACTORY SETTING

As delivered from the factory, Input **1** is configured with ClockLink On. All other inputs are configured for ClockLink Off.

CUSTOM INPUT NAMES

Each input can be named for easy identification of your digital sources. For example, if you have a Wadia 270 connected to Input 1, you can create a custom input name so that when Input 1 is selected, the display reads: "Wadia 270".

To name an input, begin by pressing the Enter key repeatedly until the Configure Name Screen for that input appears. Shown below is the Configure Input Name Screen for Input 1:

```
CONFIGURE NAME
IN 1 : GLASS OPTICAL
```

Pressing either the Volume Up or Down key or Track Forward or Back displays the cursor, which appears as an underscore, indicating which character is being modified.

The Volume Up and Volume Down keys allow you to scroll through a character list to select the desired letter or number. The Track Forward and Track Back keys move the cursor right or left to the next or previous character.

All upper and lower case letters are available, as well as numbers and a blank space. The blank space character is located in the character list between the number 0 and the lower-case letter "z." Below, the letter "W" has been selected:

```
CONFIGURE NAME
IN 1 : WLASS OPTICAL
```

Configuring Inputs

To erase a displayed character, replace it with a new character or with a blank space. To insert a blank space, use the Volume Up or Down key to scroll through the list of available characters until a blank space is displayed. Then press the Track Forward or Track Back key to move to the next character you wish to change.

Below, the name "Wadia 270" has been selected, and a single blank space inserted to erase an extra character.

```
CONFIGURE NAME
1 N 1 : W A D I A 2 7 0 _ C A L
```

Below, three more blank spaces have been used to erase extra characters, leaving the desired name as "Wodia 270".

```
CONFIGURE NAME
1 N 1 : W A D I A 2 7 0
```

FACTORY SETTING

Each input is named corresponding to the type of input connector is used with it. For example, Input 1, which has a glass fiber connector, is named, "GLASS FIBER".

RESETTING CONFIGURATIONS

To reset all the configurations to the factory settings, use the following sequence:

1. Press the Enter key on the remote control repeatedly until any of the Configuration screens is visible. (The word "CONFIGURATION" appears at the top of any configuration screen.)
2. Press the Stop key.
3. Press the Stop key AGAIN.
4. Press the Mute key.
5. The display will read, "CONFIGURATION RESET."
6. Use the Volume Up key to select YES.
7. Press the Mute key.

TROUBLE SHOOTING

LOCK-UP

If the Wadia 27i experiences a powerful static shock or sudden AC surge, it is possible to “lock-up” the computer circuitry. A locked-up computer may result in erratic display, no output, and no response to remote commands.

If your Wadia 27i should lock-up, unplug the AC cord. Wait at least 30 seconds before plugging the unit in again. If the unit still does not operate normally, contact your dealer,

SOFTWARE LICENSE AGREEMENT

THIS AGREEMENT SETS FORTH TERMS AND CONDITIONS FOR THE DigiMaster SOFTWARE.

The DigiMaster software is copyrighted and patented. It is the property of Wadia Digital Corporation of River Falls, Wisconsin.

Title to Licensed Software is not transferred to the customer. The customer is granted a nonexclusive license to use the licensed Software on a single Decoding Computer basis. The licensed Software cannot be shared among multiple Decoding Computers. Each Decoding Computer must have its own separately Licensed Software.

At Wadia Digital Corp.'s sole discretion, Wadia Digital shall provide customer with updates of the Licensed Software. Wadia Digital retains the right to provide the Licensed Software updates for a fee. The customer may refuse to accept such Licensed Software updates.

ENVIRONMENTAL CARE

Wadia Digital makes every effort to be an environmentally conservative company. We greatly appreciate it when our customers join our efforts. Please dispose of batteries and packing material in a manner that is environmentally responsible.

IMPORTANT SAFETY PRECAUTIONS

To get the best performance from your Wadia 27i Decoding Computer, and for your own safety, please read and follow these important safety instructions.

1. Before operating the Wadia 27i Decoding Computer please read all of the operating and safety instructions.
2. Never place the Wadia 27i Decoding Computer near heat sources such as radiators, fireplaces, stoves, or other appliances that produce heat. Avoid placing the Wadia 27i Decoding Computer where it will be subject to direct sunlight or low temperatures.
3. This product is equipped with a three prong IEC power inlet that includes an earth ground connection. To prevent shock hazard, all three connectors must always be used. If your electrical outlets will not accept this type of plug, an adapter may be purchased. If an adapter is necessary, be sure it is an approved type and that it is used properly, supplying an earth ground. If you are not sure of the integrity of your home's electrical system, contact a licensed electrician for assistance.
4. AC extension cords are not recommended for use with this product. If an extension cord must be used, be sure it is an approved type and has sufficient current carrying capacity to power this product.
5. Before clearing the Wadia 27i Decoding Computer, always disconnect the power supply cord. Use a soft cloth and, if necessary, dampen with clean water or mild cleaning agent. Never apply water, or any other cleaner, directly to the chassis.
6. If you smell smoke, or an abnormal smell, immediately unplug the Wadia 27i Decoding Computer from the power supply and contact your Wadia dealer.
7. Never attempt to service the Wadia 27i Decoding Computer beyond what is described in this Owner's Manual. All service should be performed by qualified service personnel.
8. Unplug unit if it becomes wet.
9. Do not open unit when attached to AC outlet.
10. Replace fuse only with the exact type originally included.
 - 100 volt: 1 amp Slo-Blo (1 fuse)
 - 120 volt: 1 amp Slo-Blo (1 fuse)
 - 220 volt: 1/2 amp Slo-Blo (2 fuses)
 - 240 volt: 1/2 amp Slo-Blo (2 fuses)
11. Do not attempt to repair or modify your Wadia 27i Decoding Computer.

SPECIFICATIONS

Decoding Software	DigiMaster 1.2
Resampling Rate	64 Times
Digital Processing Capability	24 Bits
Digital Resolution	22 Bits
Signal Inverting	Digital Domain
Analog Outputs	One pair of Balanced (XLR); One pair of Unbalanced (RCA). <i>Both can be used simultaneously.</i>
Digital Inputs	Six inputs - 2 ST Glass Fiber Optic; 2 SPDIF (BNC); 1 plastic Fiber Optic; 1 AES/EBU.
Analog Outputs	One pair of XLR (Balanced); One pair RCA (Single Ended). <i>Both can be used simultaneously.</i>
Output Impedance	Less than 15 Ohms
Power Consumption	65 watts

WARRANTY

This Warranty covers the Wadia 27i Decoding Computer.

Wadia Digital warrants that this product shall be free from defects in materials and workmanship for five years.

The warranty period begins at the date of sale and is subject to the following requirements and understandings:

- 1) The product must not have been modified in any manner whatsoever, or the warranty is immediately voided.
- 2) The product must not have been stored in a humid, damp environment; nor subjected to weather, water, or salt spray.
- 3) During the warranty period Wadia Digital will repair the Wadia 27i Decoding Computer to working order, or, at Wadia's option, replace a defective Wadia 27i with a similar available product at no cost to the owner for labor, materials, and shipping charges from Wadia Digital, River Falls, Wisconsin.
- 4) Wadia Digital shall not, under any circumstances, be liable for any incidental or consequential damages arising from the loss of property or other damage or losses due to the failure of a Wadia 27i Decoding Computer. Wadia Digital will not pay for loss of use or inconvenience caused by the failure of a Wadia 27i Decoding Computer. Wadia Digital will not pay for damage caused to other audio components caused by the failure of the Wadia 27i Decoding Computer within the limits allowed by State law.
- 5) All non-warranty repairs will be performed and billed to the owner and will carry a 90 day warranty on parts and labor.
- 6) The customer is responsible for the shipping charges for all repairs, warranty or non-warranty, shipped to Wadia Digital. Wadia Digital will pay return shipping to the customer or dealer within the United States for all warranty repairs. Special shipping methods or services will not be covered by Wadia Digital.
- 7) All repairs must be serviced by Wadia Digital or an authorized service facility.
- 8) This product is only warranted in the country of original sale by Wadia Digital.



Wadia Digital Corporation
624 Troy Street River Falls, WI 54022 • (715) 426-5900 • FAX (715) 426 5665
<http://www.wadia.com>

Free Manuals Download Website

<http://myh66.com>

<http://usermanuals.us>

<http://www.somanuals.com>

<http://www.4manuals.cc>

<http://www.manual-lib.com>

<http://www.404manual.com>

<http://www.luxmanual.com>

<http://aubethermostatmanual.com>

Golf course search by state

<http://golfingnear.com>

Email search by domain

<http://emailbydomain.com>

Auto manuals search

<http://auto.somanuals.com>

TV manuals search

<http://tv.somanuals.com>