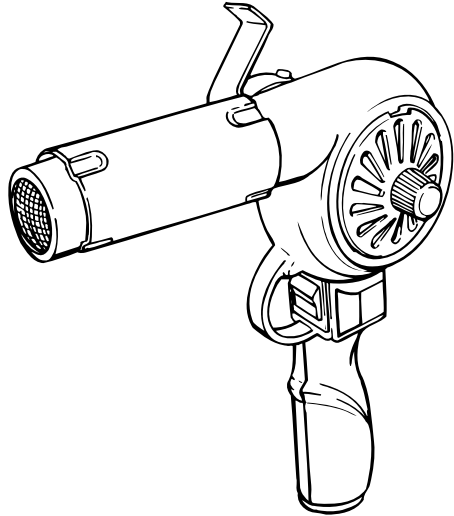


WAGNER®

Heat Gun Model HT775 Owner's Manual



Read all instructions and product labels. When using electrical tools, follow all precautions to reduce the risk of fire, electric shock, and other personal injury.

Need help? Call us first for answers fast.

Call Wagner toll-free if you have any comments or problems with this Wagner product.



1-800-727-4023

Wagner Technical Service

Register your product online at:

<http://www.wagnerspraytech.com>

1770 Fernbrook Lane, Plymouth, MN 55447



0908 • Form No. 0283739J

Español Français English

General Description

This heat gun is a quality power tool. Like any power tool, it can be dangerous when misused. Read the following instructions carefully and follow all safety precautions. It is the responsibility of the owner to use the heat gun properly.

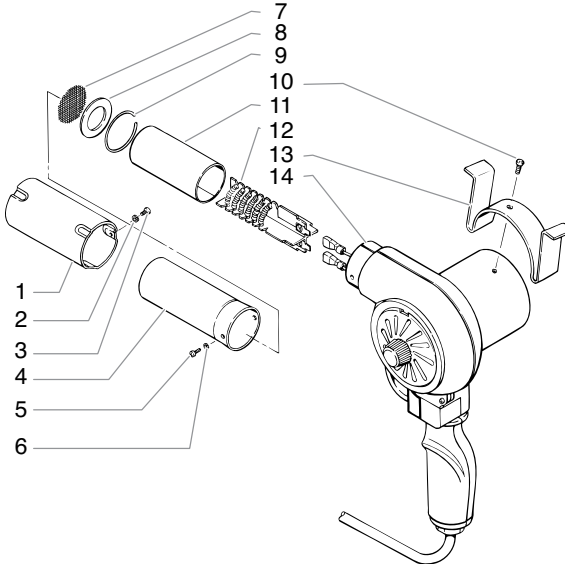
Specifications

Housing: Die cast metal
 Wattage: 1680 Watts. Operates on 120 VAC
 Heat Output: 750°F to 1000°F nominal.
 BTUs Approximately 5700 BTUs on high

Uses

- Soften paint, caulking and putty for easier removal
- Soften adhesives to help remove floor tiles
- Bend plastic pipes
- Shrink tubing for electrical work
- Shrink plastic film for wrapping or weatherproofing
- Loosen rusted nuts, bolts and fittings

Parts listing



Item	Number	Description	Qty.	Item	Number	Description	Qty.
1	0283481	Shield	1	8	0283492	Plate	1
2	9820906	Washer	1	9	0293491	Retaining ring	1
3	9803111	Screw	1	10	9804924	Screw	1
4	0283482	Nozzle	1	11	0283485	Mica sheet	1
5	9803111	Screw	1	12	0283292	Element assembly	1
6	9820906	Washer	1	13	0283484	Stand	1
7	0283490	Screen	1	14	-----	Basic unit assembly	1



Important Safety Information · Read all safety information before operating the equipment. Save these instructions

To reduce the risks of fire or explosion, electrical shock and the injury to persons, read and understand all instructions included in this manual. Be familiar with the controls and proper usage of the equipment.



Indicates a hazardous situation which, if not avoided, could result in death or serious injury.

HAZARD: POISON

Extreme care should be taken when stripping paint. The peelings, residue and vapors of paint may contain lead, which is poisonous. Any paint applied to homes before 1950 is likely to contain lead. Any paint manufactured before 1977 may contain lead. Once the paint is deposited on surfaces, hand-to-mouth contact can result in the ingestion of lead. Exposure to even low levels of lead can cause irreversible brain and nervous system damage. Young and unborn children are particularly vulnerable to lead poisoning.

Before beginning any paint removal process you should determine whether the paint you are removing contains lead. This can be done by your local health department or by a professional who uses a paint analyzer to check the lead content of the paint to be removed. Lead-based paint should only be removed by a professional and should not be removed using a heat gun.

PREVENTION:

1. Move the work piece outdoors. If this is not possible, keep the work area well ventilated. Open the windows and put an exhaust fan in one of them. Be sure the fan is moving the air from inside to outside.
2. Remove or cover any carpets, rugs, furniture, clothing, cooking utensils and air ducts.
3. Place drop cloths in the work area to catch any paint chips or peelings. Wear protective clothing such as extra work shirts, overalls and hats.
4. Work in one room at a time. Furnishings should be removed or placed in the center of the room and covered. Work areas should be sealed off from the rest of the dwelling by sealing doorways with drop cloths.
5. Children, pregnant or potentially pregnant women and nursing mothers should not be present in the work area until the work is done and all cleanup is complete.
6. Wear a dust respirator mask of a dual filter respirator mask for dust and fumes which has been approved by the Occupational Safety and Health Administration (OSHA) the National Institute of Safety and Health (NIOSH), or the United States Bureau of Mines. These masks and replaceable filters are readily available at major hardware stores. Be sure that the mask fits properly. Beards and facial hair may keep masks from sealing properly. Change the filters often. Disposable paper masks are not adequate.
7. Use caution when operating the heat gun. Keep the heat gun moving as excessive heat will generate fumes which can be inhaled by the operator.
8. Keep food and drink out of the work area. Wash hands, arms and face and rinse mouth before eating or drinking. Do not smoke or chew gum or tobacco in the work area.
9. Clean up all removed paint and dust by wet mopping the floors. Use a wet cloth to clean all walls, sills and any other surface where paint dust is clinging. Do not sweep, dry dust or vacuum. Use a high phosphate detergent of trisodium phosphate (TSP) to wash and mop areas.
10. At the end of each work session, put the paint chips and debris in a double plastic bag, close it with tape or twist ties and dispose of properly.
11. Remove protective clothing and work shoes in the work area to avoid carrying dust into the rest of the building. Wash work clothes separately. Wipe shoes off with a wet rag and then wash it with the work clothes. Wash hair and body thoroughly with soap and water.



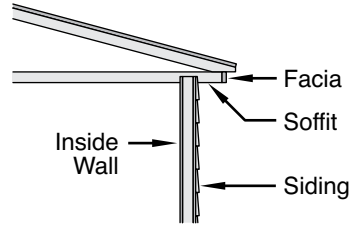
Important Safety Information · Read all safety information before operating the equipment. Save these instructions

HAZARD: EXPLOSION OR FIRE

This heat gun produces extremely high temperatures (as high as 1450° F). It must be used with caution to prevent combustible material from igniting.

PREVENTION:

1. Keep the gun in constant motion. Do not stop or dwell in one spot.
2. Use extreme caution if the other side of the material being scraped is inaccessible, such as house siding. The hidden side could catch on fire if it becomes too hot. Some buildings contain highly flammable materials behind siding, floors, facia, soffit boards and other panels. Check these areas before applying heat and do not use a heat tool if flammable materials are present or if you are unsure of the hidden material.
3. Do not use near surfaces with cracks or near metal pipes or flashing. Heat may be conducted behind the work surface and ignite hidden material. The ignition of hidden materials may not be readily apparent and can result in property damage and injury.
4. Do not use electric tools in the presence of flammable liquids or gases.
5. Do not use near combustible materials such as dry grass, leaves, and paper which can scorch and catch fire.
6. The nozzle becomes very hot. Do not lay the heat gun on flammable surfaces when operating the gun or immediately after shutting the gun off. Always set the gun on a flat, level surface so that the nozzle tip is directed upwards and away from the supporting surface.
7. Do not touch the nozzle until the tool has cooled.
8. Do not use the heat gun as a hair dryer.
9. Tools and paint scrapings become very hot. To avoid burns, use work gloves when scraping.
10. Always treat the hot air units with the same respect as an open flame.



HAZARD: ELECTRIC

May cause property damage, severe injury or loss of life.

PREVENTION:

1. Do not disassemble the heat gun.
2. Do not work in wet areas or expose the heat gun to rain.
3. Guard against electric shock by preventing body contact with grounded surfaces such as pipes, radiators, ranges, aluminum ladders or other grounded devices.
4. Do not abuse the electric cord. Never carry the heat gun by the cord or yank on the cord to disconnect it from the power supply. Keep the electric cord away from heat, oil and sharp edges. Inspect the cord for wear or damage regularly.
5. Use only extension cords rated for outdoor use. If an extension cord is damaged or otherwise unsuitable for use, replace it with a new cord.

HAZARD: GENERAL

May cause property damage or severe injury.

PREVENTION:

1. Disconnect the heat gun from the power supply when not in use. Store indoors in a dry place and out of the reach of children.
2. Keep your work area well lighted and clean.
3. Do not overreach, especially when working on ladders. Keep proper footing and balance at all times. Be certain any ladders being used are sturdy, stable, on a firm



Important Safety Information · Read all safety information before operating the equipment. Save these instructions

surface and erected at safe working angles.

4. Avoid power lines.
5. Keep moveable items secured and steady while scraping.
6. Always use protective eyewear when working.
7. Stay alert and use common sense when operating any tool.



Some dust, peelings, residue, and vapors caused by paint removal activities contain chemicals known to the state of California to cause birth defects or other reproductive harm. An example of a chemical would be lead from lead-based paints (do not use a heat tool to remove lead-based paint). Your risk from exposure varies, depending on how often you do this type of work. To reduce your exposure to these chemicals: work in a ventilated area, and work with approved safety equipment, such as those dust masks that are specially designed to filter out microscopic particles.

Grounding Instructions

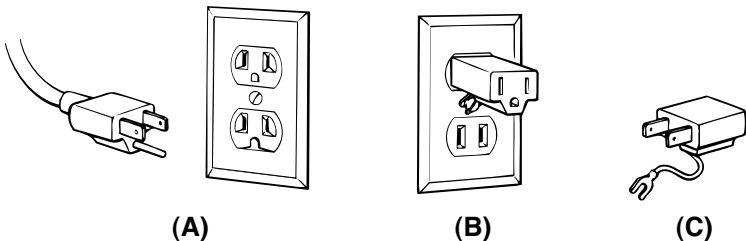
This product must be grounded. In the event of an electrical short circuit, grounding reduces the risk of electric shock by providing an escape wire for the electric current. This product is equipped with a cord having a grounding wire with an appropriate grounding plug. The plug must be plugged into an outlet that is installed properly and grounded in accordance with all local codes and ordinances.

WARNING - Improper installation of the grounding plug can result in a risk of electric shock.

If repair or replacement of the cord or plug is necessary, do not connect the green grounding wire to either flat blade terminal. The wire with insulation having an outer surface that is green, with or without yellow stripes, is the grounding wire and must be connected to grounding pin.

Check with a qualified electrician or serviceman if the grounding instructions are not completely understood, or if in doubt as to whether the product is grounded properly. Do not modify the plug provided; if it will not fit the outlet, have the proper outlet installed by a qualified electrician.

This product is for use on a nominal 120 volt circuit, and has a grounding plug that looks like the plug illustrated in sketch A. A temporary adapter that looks like the adapter illustrated in sketch B and C may be used to connect this plug to a 2 pole receptacle as shown in sketch B if a properly grounded outlet is not available. The temporary adapter should be used only until a properly grounded outlet (sketch A) can be installed by a qualified electrician. The green colored rigid ear lug, or the like extending from the adapter must be connected to a permanent ground such as a properly grounded outlet box cover. Whenever the adapter is used, it must be held in place by a metal screw.



(A)

(B)

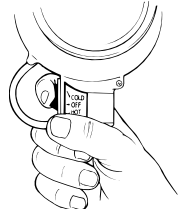
(C)

Using the Heat Gun



Always read the safety information included in this manual before using the heat gun.

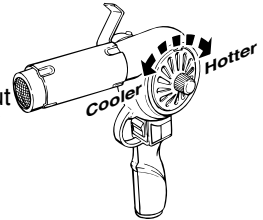
1. Plug the unit into a standard wall outlet.
2. Turn on the unit by moving the rocker switch to hot. The motor-driven fan noise will indicate that the unit is running. The heating coil will light up slowly to dark red.



Note: Smoke may appear during the initial start up due to the burning of manufacturing oils. The smoke should disappear in less than a minute.

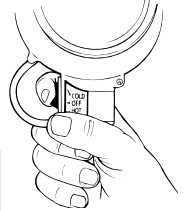
IMPORTANT: If the blower motor in the heat gun does not turn on when the switch is set to either HOT or COLD, turn the switch OFF immediately. The heating element will burn out if it is not cooled by the blower.

3. Adjust the heat output by turning the thumb screw on the adjustable air intake cover to change the size of the intake openings. The larger the openings, the cooler the output. The smaller the openings, the hotter the output. Heat output will vary by about 250° F between a fully opened and a fully closed intake cover.



Do not block the air intake openings opposite the adjustable intake cover. The heating element will burn out if too much air intake is blocked.

4. When you are done, move the rocker switch to cold. Allow the blower to operate for a few minutes to cool the gun. This helps to extend the life of the heat gun.
5. Move the rocker switch to off and unplug the heat gun.



Note: Always set the heat gun upright after it is turned off, either for a short break or for storage. Avoid laying the unit on the side after shutdown. The heat will remain in the unit and cooling will take longer. Store the unit only after the nozzle is cool. Unplug the unit before storing to prevent accidental startup.

IMPORTANT: Always protect glass when working near windows.



Do not touch nozzle or the scraper blade when working. These become extremely hot and will cause severe burns. Wear gloves to protect hands from hot scrapings.

Stripping Paint

The heat gun heats up the surface and causes the paint to soften, at which time it can be scraped off easily without damaging the surface. Some paints may soften even though they do not blister; some may become rubbery, and some may require higher heat.

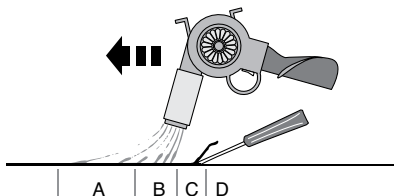
When working with several layers of paint, it speeds up the scraping process to heat the surface thoroughly, all the way to the wood. Then all the layers can be scraped at one time.

A soft wire brush may be the best tool to use for very intricate surfaces. Mineral paints and finishes, such as cement paint and porcelain, do not soften with heat, so using a heating tool will not work for paint removal.

The best method of paint removal

Move the gun slowly and steadily forward at an angle to the surface, pointing the nozzle in the direction of motion. This allows you to scrape safely outside the hot air stream and keeps the scraper and the scraped surface cooler.

- A. Warm air preheats the surface.
- B. Paint is softened by hot air.
- A + B. Deep penetration of heat over total area.
- C. Paint can be easily scraped off as soon as it is softened and the gun is moved forward.
- D. Stripped surface allowed to cool.



Note: Do not use the heat gun on surfaces that can be damaged by heat, such as vinyl-coated paneling, siding or window frames.

When removing paint from window frames, the heat gun will soften the putty. Be careful not to gouge the putty with the scraper. The putty will firm up after it cools.

Do not use the heat gun on insulating laminated window glass such as Thermopane. The glass edge expansion may break the edge seal.

When scraping fascia, do not overheat the edges of the asphalt shingles protruding over the edge of the sheathing. Too much heat will melt the asphalt.

IMPORTANT: The removal of paint by heat gun is safe if the above guidelines are used, but always keep either a container of water or an ABC fire extinguisher within reach.

IMPORTANT: Read the general operating and safety information sections of this owner's manual before using the heat gun.

Cleaning and Maintenance

Keep the intake openings on the housing clean and free of obstructions. Use a soft, dry brush to clean the openings periodically. Use only mild soap and a damp cloth to clean the heat gun. Many household cleaners contain chemicals which could seriously damage the housing.

Do not use gasoline, turpentine, lacquer or paint thinner, dry cleaning fluids or similar products when cleaning the heat gun. Never allow any liquid to get inside the tool or immerse any part of the tool into a liquid.

Storage

Allow the heat gun nozzle to cool to room temperature before placing in storage.

The nozzle will turn dark over time because of the high heat. This is normal and will not affect the performance or life of the unit.

Accessories

The following accessories may come with the gun or may be purchased separately by calling 1-800-727-4023.

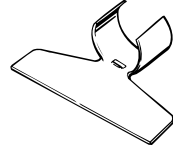
Concentrator Nozzle
P/N 10355



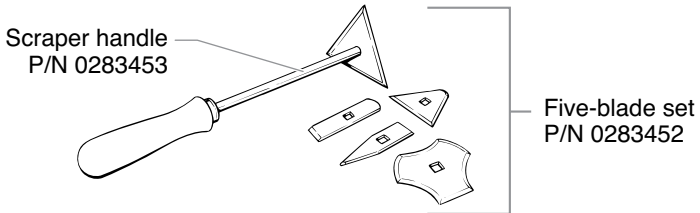
Flare Nozzle
P/N 10357



Glass Protector
P/N 10356



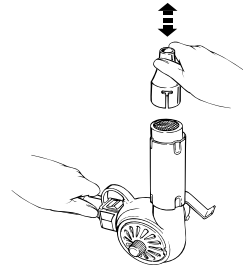
Scraper tool with interchangeable blades



IMPORTANT: Always use gloves when handling the heat gun.

To attach an optional item to the gun:

1. Set the heat gun upright on a level surface until the tip is cool.
2. Set the item onto the tip of the heat gun and push firmly into place by hand.

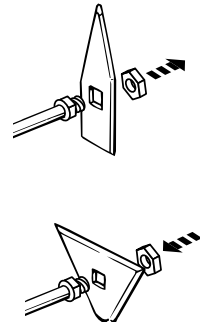


To remove an optional item:

1. Set the heat gun upright on a level surface until the tip is cool.
2. Pull the item off of the tip.

To change the blades on the scraping tool:

1. Remove the nut from the handle beneath the blade.
2. Slide off the current blade and slide on the blade you want to use.
3. Thread the nut onto the handle and tighten.



Product Registration

Register your product online at www.wagnerspraytech.com. Proper registration will serve as proof of purchase in the event your original receipt becomes misplaced or lost.

Wagner two year limited warranty - Keep on file

This product, manufactured by Wagner Spray Tech Corporation (Wagner), is warranted against defects in material and workmanship for two years following the date of purchase if operated in accordance with Wagner's printed recommendations and instructions. This warranty does not cover any defects or damages caused by service or repair performed by unauthorized personnel.

ANY IMPLIED WARRANTY OF MERCHANTABILITY OR FITNESS FOR A PARTICULAR PURPOSE IS LIMITED TO TWO YEAR FOLLOWING THE DATE OF PURCHASE. WAGNER SHALL NOT IN ANY EVENT BE LIABLE FOR ANY INCIDENTAL OR CONSEQUENTIAL DAMAGES OF ANY KIND, WHETHER FOR BREACH OF THE WARRANTY OR ANY OTHER REASON. THIS WARRANTY DOES NOT APPLY TO ACCESSORIES.

THE PRODUCT IS DESIGNED FOR HOME USAGE ONLY. IF USED FOR COMMERCIAL OR RENTAL PURPOSES, THIS WARRANTY APPLIES ONLY FOR 30 DAYS FROM THE DATE OF PURCHASE.

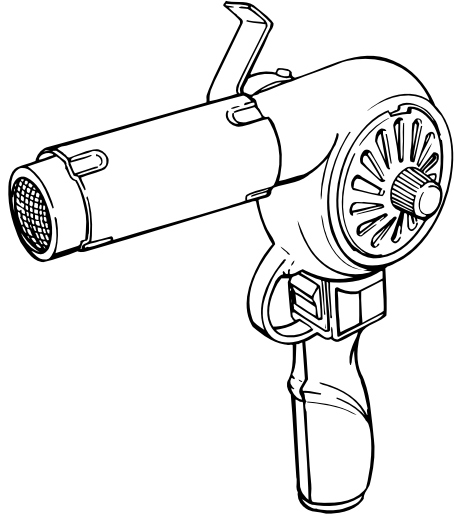
If any product is defective in material and workmanship during the applicable warranty period, return it with proof of purchase, transportation prepaid to Wagner Spray Tech, 1770 Fernbrook Lane, Plymouth, MN 55447. Wagner will either repair or replace the product (at Wagner's option) and return it to you, postage prepaid.

SOME STATES DO NOT ALLOW LIMITATIONS ON HOW LONG AN IMPLIED WARRANTY LASTS OR THE EXCLUSION OF INCIDENTAL OR CONSEQUENTIAL DAMAGES, SO THE ABOVE LIMITATION AND EXCLUSION MAY NOT APPLY TO YOU.

THIS WARRANTY GIVES YOU SPECIFIC LEGAL RIGHTS, AND YOU MAY ALSO HAVE OTHER RIGHTS WHICH VARY FROM STATE TO STATE.

WAGNER®

Pistolet à Air Chaud Modèle HT775 Guide d'utilisation



Lire toutes les directives et les étiquettes de produits.
Suivre toutes les mesures de sécurité lors de
l'utilisation d'outils électriques afin de réduire tout
risque d'incendie, de choc électrique ou de blessure.

Besoin d'aide? Appelez-nous pour de
réponses rapides. Téléphonnez à Wagner sans frais
d'appel si vous avez des commentaires ou des difficultés
relativement à ce produit.



1-800-727-4023

Wagner Technical Service

Enregistrement du produit en ligne sur le site :

<http://www.wagnerspraytech.com>

1770 Fernbrook Lane, Plymouth, MN 55447



Français

Description générale

Le pistolet à air chaud est un outil électrique de qualité. Comme tout autre outil électrique, une utilisation non adéquate de l'appareil pourrait s'avérer dangereuse. Il est donc important de lire attentivement les directives présentées ci-dessous et de respecter toutes les mesures de sécurité indiquées. Il incombe au propriétaire d'utiliser cet appareil correctement.

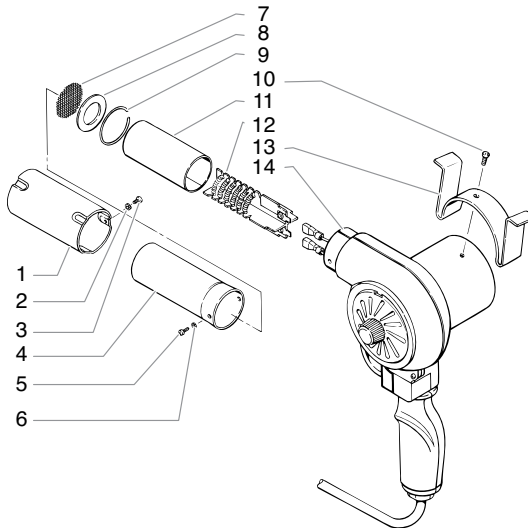
Spécifications

Boîtier: Mourir le métal de moule
 Tension: 1680 Watts. 120 V c.a.
 Chaleur émise: 400°C-540°C (750°F-1000°F)
 BTU environ 5700 BTUs en régime élevé

Utilisation

- Ramollir la peinture, les produits de calfeutrage et les mastics, afin que ces derniers puissent être enlevés plus facilement.
- Ramollir les adhésifs, afin de faciliter l'enlèvement des tuiles de plancher
- Plier des tuyaux en plastique
- Rétrécir des conduits lors d'un travail au niveau du système électrique
- Réduire les pellicules en plastique utilisées en tant que produits de recouvrement et d'étanchéité
- Desserrer les boulons, les écrous et les dispositifs de fixation rouillés
- Sécher la peinture et le plâtre.

Liste des pièces



Item No.	Description	Qty.	Item No.	Description	Qty.
1	0283481 Écran	1	9	0283491 Bague de retenue.....	1
2	9820906 Rondelle	1	10	9804924 Vis.....	1
3	9803111 Vis.....	1	11	0283485 Feuille en mica	1
4	0283482 Buse.....	1	12	0283292 Support du montage de l'élément.....	1
5	9803111 Vis.....	1	13	0283484 Support	1
6	9820906 Rondelle	1	14	----- Montage de l'appareil de base.....	1
7	0283490 Écran	1			
8	0283492 Plaque	1			



Importantes consignes de sécurité · Lire toutes ces consignes avant d'utiliser l'appareil. Garder ces consignes.

Pour réduire les risques d'incendie ou d'explosion, de choc électrique et de blessure, vous devez lire et comprendre les directives figurant dans ce manuel. Familiarisez-vous avec les commandes et l'utilisation adéquate de l'équipement.



Indique une situation à risque, laquelle, si elle n'est pas évitée, peut entraîner des blessures graves, voire la mort.

RISQUE D'EMPOISONNEMENT -

Il est essentiel de faire preuve d'une extrême prudence lors du décapage d'une surface peinte. Les pellicules, les résidus et les émanations de peinture peuvent contenir du plomb, un produit toxique. Toute peinture ayant été appliquée sur des maisons avant 1950 est susceptible de contenir du plomb; et toute peinture ayant été fabriquée avant 1977 peut aussi contenir du plomb. Une fois que la peinture est déposée sur une surface, le fait de porter la main à la bouche peut entraîner l'ingestion d'une quantité de plomb. Cette quantité, si minime soit-elle, peut causer des dommages irréversibles sérieux au cerveau ou au système nerveux. Les jeunes enfants et les foetus sont particulièrement vulnérables à ce type d'empoisonnement.

Avant de commencer tout décapage d'une surface peinte, il est essentiel de vérifier si la peinture contient du plomb. Cette opération peut être effectuée par un service de la santé local, ou par un professionnel, à l'aide d'un analyseur de peinture servant à vérifier le contenu en plomb de la peinture. **LES PEINTURES CONTENANT DU PLOMB NE DOIVENT ÊTRE ENLEVÉES QUE PAR UN PROFESSIONNEL; LE PISTOLET À AIR CHAUD NE PEUT ÊTRE, DANS UN TEL CAS, UTILISÉ.**

MESURES PRÉVENTIVES :

1. Déplacer l'objet à décaper à l'extérieur. Si cela n'est pas possible, s'assurer que la zone de travail reçoit un bon apport d'air. Ouvrir les fenêtres et placer un ventilateur d'évacuation à l'intérieur de l'une d'elles. S'assurer que le ventilateur déplace l'air de l'intérieur à l'extérieur.
2. Enlever ou recouvrir tout tapis, toute carquette, tout meuble, tout vêtement, tout ustensile de cuisine et tout conduit d'air.
3. Placer des toiles de protection à l'intérieur de la zone de travail, afin de recueillir toute pellicule ou tout éclat de peinture. Porter des vêtements de protection, tels qu'une chemise de travail supplémentaire, une combinaison et un chapeau.
4. Ne travailler que dans une seule pièce à la fois. Les meubles doivent être retirés ou placés au centre de la pièce et recouverts. La pièce dans laquelle s'effectue le travail doit être isolée du reste de l'édifice à l'aide de toiles de protection placées sur les portes.
5. Les enfants, les femmes enceintes ou possiblement enceintes, ainsi que les mères qui allaitent, ne doivent pas pénétrer dans la pièce tant et aussi longtemps que le travail n'est pas terminé et que le nettoyage n'a pas été effectué.
6. Porter un masque anti-poussière ou un masque à deux filtres contre la poussière et les émanations, ayant été approuvé par l'Occupational Safety and Health Administration (OSHA), le National Institute of Safety and Health (NIOSH), ou le United States Bureau of Mines. Ces masques, ainsi que les filtres jetables, peuvent être facilement obtenus chez les principaux quincailliers. S'assurer que le masque s'adapte bien aux formes du visage. La barbe et les poils faciaux peuvent empêcher le masque de bien adhérer au visage. Changer les filtres régulièrement. **LES MASQUES EN PAPIER JETABLES NE SONT PAS ACCEPTÉS.**
7. Faire preuve de prudence lors de l'utilisation du pistolet. Garder ce dernier constamment en mouvement, étant donné qu'une chaleur excessive engendre des vapeurs pouvant être inhalées par l'opérateur.
8. Conserver toute nourriture et tout breuvage à l'extérieur de la pièce où s'effectue le travail. Se laver les mains, les bras et le visage, et se rincer la bouche avant de manger ou de boire. Ne pas fumer ou mastiquer de la gomme à mâcher ou du tabac dans la pièce dans laquelle on effectue le travail.



Importantes consignes de sécurité · Lire toutes ces consignes avant d'utiliser l'appareil. Garder ces consignes.

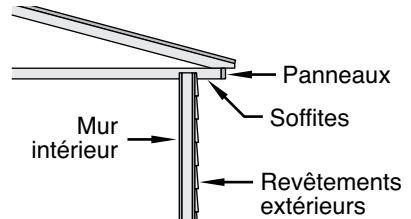
9. Enlever tous les résidus de peinture et toute la poussière en essuyant le plancher à l'aide d'un balai à franges humide. Utiliser aussi un linge humide pour nettoyer tous les murs, tous les rebords et toute autre surface pouvant comporter des résidus de peinture. NE PAS BALAYER, ÉPOUSSETER OU UTILISER D'ASPIRATEUR. Au cours de l'opération de nettoyage, utiliser un détergent à haute teneur de phosphate trisodique.
10. À la fin de chaque session de travail, placer les éclats et les débris de peinture dans un sac en plastique double, le fermer à l'aide d'un ruban adhésif ou d'attaches, puis en disposer d'une manière adéquate.
11. Retirer les vêtements de protection et les chaussures de travail avant de quitter la zone de travail, afin d'éviter de transporter de la poussière dans le reste de l'édifice. Laver les vêtements de travail séparément. Essuyer les chaussures avec un linge humide, puis les laver avec les vêtements de travail. Se laver les cheveux et le corps entièrement avec de l'eau et du savon.

RISQUE D'EXPLOSION OU D'INCENDIE

Le pistolet à air chaud génère des températures extrêmement élevées (pouvant atteindre 1450°F, ou 787°C). Il doit donc être utilisé avec prudence, afin d'éviter toute inflammation de matériau combustible.

MESURES PRÉVENTIVES :

1. Garder le pistolet constamment en mouvement. Ne pas s'arrêter ou s'attarder à un endroit précis.
2. Agir avec une extrême prudence lorsque la partie se trouvant à l'arrière du matériau devant être enlevé est inaccessible, tel le revêtement extérieur d'une maison. La partie cachée pourrait prendre feu sous l'effet d'une chaleur trop intense. Certains édifices comprennent des matériaux hautement inflammables se trouvant derrière des revêtements extérieurs, sous des planchers, derrière des panneaux, sous des planchers de soffite, etc... Vérifier ces endroits avant d'appliquer de la chaleur, et ne pas utiliser un outil à air chaud lorsque l'un de ces endroits comporte un matériau inflammable, ou lorsque l'on n'est pas sûr de la nature du matériau caché.
3. Ne pas utiliser l'appareil à proximité de surfaces présentant des fissures ou à proximité de conduits en métal ou de bandes d'étanchéité. La chaleur peut traverser la surface de travail et enflammer le matériau caché. L'inflammation d'un matériau caché n'étant pas toujours facile à détecter, des blessures ou des dommages matériels peuvent en résulter.
4. Ne pas utiliser d'outils électriques à proximité de liquides ou de gaz inflammables.
5. Ne pas utiliser l'appareil à proximité de matériaux combustibles, tels que de l'herbe ou des feuilles sèches, ou encore, du papier, étant donné que ces derniers peuvent s'enflammer rapidement.
6. La buse devient très chaude. Par conséquent, ne pas déposer le pistolet sur des surfaces inflammables lors de son utilisation ou immédiatement après l'avoir arrêté. Toujours déposer le pistolet sur une surface plate et de niveau de façon que le bec de la buse soit dirigé vers le haut et, de par le fait même, éloigné de la surface.
7. Ne pas toucher la buse avant que l'outil ne soit refroidi.
8. Ne pas utiliser le pistolet en tant que séchoir à cheveux.
9. Les outils et les raclures de peinture deviennent très chauds. Pour éviter toute brûlure, porter des gants de travail lors de l'opération de raclage.
10. Toujours traiter les unités d'air chaud avec la même précaution que s'il s'agissait d'une flamme nue.





Importantes consignes de sécurité · Lire toutes ces consignes avant d'utiliser l'appareil. Garder ces consignes.

RISQUES AU NIVEAU DES ÉLÉMENTS ÉLECTRIQUES

Peut causer des dommages matériels, des blessures graves ou même mortelles.

MESURES PRÉVENTIVES :

1. Ne pas travailler dans un endroit humide ou exposer le pistolet à la pluie.
2. Se protéger contre les chocs électriques en évitant tout contact du corps avec des éléments mise à la terre, telles que des conduits, des radiateurs, des cuisinières, des échelles en aluminium, ou tout autre dispositif mis à la terre.
3. Ne pas faire un usage abusif du cordon électrique. Ne jamais transporter le pistolet à l'aide du cordon électrique, ou tirer sur ce dernier pour débrancher l'appareil. Garder le cordon électrique éloigné des sources de chaleur, des contenants d'huile ou des arêtes vives. Vérifier régulièrement le cordon, afin de s'assurer que ce dernier n'est pas usé ou endommagé.
4. N'utiliser que les rallonges appropriées à un usage extérieur. Si une rallonge est endommagée ou autrement inadéquate, la remplacer.

RISQUES D'ORDRE GÉNÉRAL

Peut causer des dommages matériels ou des blessures graves.

MESURES PRÉVENTIVES :

1. Débrancher le pistolet à air chaud lorsque ce dernier n'est pas utilisé. L'entreposer à l'intérieur dans un endroit sec et hors de la portée des enfants.
2. Maintenir la zone de travail propre et assurer un bon éclairage.
3. Ne pas trop étirer le corps, surtout lorsque l'on travaille sur une échelle. Se maintenir dans une position stable en tout temps. S'assurer que les échelles sont solides, bien en équilibre et érigées sur une surface plate et à un angle sécuritaire.
4. Éviter les fils électriques.
5. Garder les articles amovibles stables et en lieu sûr lors de l'opération de décapage.
6. Toujours utiliser des lunettes de protection au cours de l'opération.
7. Toujours être vigilant et faire preuve de jugement lors de l'utilisation de n'importe quel outil.



Certains fragments, résidus, poussières et vapeurs engendrés par l'enlèvement de peinture contiennent des produits chimiques que l'état de la Californie reconnaît comme générateurs d'anomalies congénitales ou de troubles reproductifs. On peut notamment penser à l'élément principal des peintures à base de plomb, en présence desquelles on ne doit pas utiliser de décamper thermique. Les risques varient en fonction de la fréquence et du degré d'exposition; pour réduire ce dernier, on doit toujours travailler dans un endroit bien ventilé et être muni d'équipement de sécurité approuvé, comme un masque antipoussières spécialement conçu pour filtrer les particules microscopiques.

Instructions pour la mise à la terre

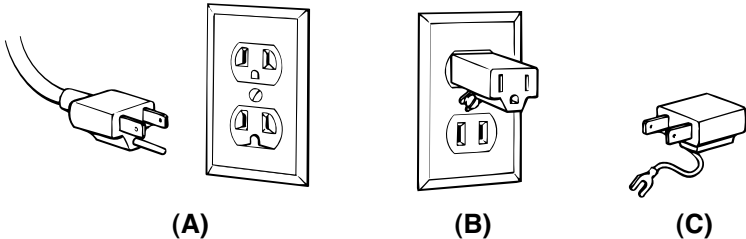
Ce produit doit être mis à la terre. Dans le cas de courts-circuits, cette précaution permettra de réduire les risques de décharge en fournissant une «voie d'échappement» au courant électrique. Ce produit est muni d'un cordon trifilaire avec une fiche à trois lames. Cette fiche doit être branchée dans une prise correctement installée et mise à la terre, conformément à tous les codes et règlements locaux.

MISE EN GARDE - À défaut de bien installer la fiche trifilaire, on s'expose à des chocs électriques.

Si on doit réparer ou remplacer le cordon ou sa fiche, il faut s'assurer de ne pas raccorder le fil de terre vert à l'une des bornes des deux lames droites. Le fil de MALT, dont l'isolant extérieur est vert uni ou rayé de jaune, doit être raccordé à la broche de mise à la terre.

En cas de doute concernant les présentes directives ou la mise à la terre du système, il faut consulter un technicien ou un électricien qualifié. Ne pas modifier la fiche fournie; si elle ne s'insère pas correctement dans la prise, demander à un électricien qualifié d'installer le dispositif approprié.

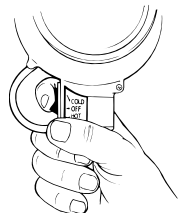
Ce système est conçu pour fonctionner sur un circuit d'une tension nominale de 120 volts et est muni d'une fiche ressemblant à celle apparaissant sur l'esquisse A. En l'absence de prise adéquatement mise à la terre, un adaptateur comme celui illustré aux esquisses B et C peut être temporairement utilisé pour raccorder la fiche dans une prise bipolaire, tel qu'illustré en B. Ce type d'adaptateur ne doit être utilisé qu'à condition qu'un électricien qualifié installe ensuite une prise adéquate (esquisse A). L'attache verte rigide (ou un autre dispositif du même genre) dépassant de l'adaptateur doit être raccordée à une MALT permanente, comme le couvercle d'une boîte à prises adéquatement mise à la terre. Lorsqu'on utilise un tel adaptateur, celui-ci doit être fixé au moyen d'une vis métallique.



Utilisation du Pistolet à Air Chaud

! Toujours lire les consignes de sécurité incluses dans le présent manuel avant d'utiliser le pistolet à air chaud.

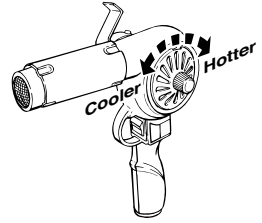
1. Enficher l'outil dans une prise standard.
2. Allumer l'appareil en déplaçant l'interrupteur à bascule en position chaud. Le bruit du ventilateur actionné par moteur vous indiquera que l'appareil fonctionne. Le serpent de chauffage se réchauffera lentement jusqu'à ce qu'il soit rouge foncé.



Remarque : De la fumée causée par la combustion des huiles de fabrication peut se manifester au cours du démarrage initial. Cette fumée devrait disparaître en moins d'une minute.

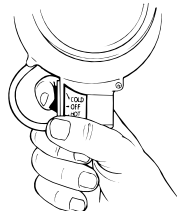
IMPORTANT : Placer immédiatement l'interrupteur à la position arrêt si le moteur à soufflerie du pistolet à air chaud ne s'allume pas quand l'interrupteur est placé à la position HOT ou COLD. L'élément chauffant peut griller s'il n'est pas refroidi au moyen de la soufflerie.

3. Régler la production de chaleur en tournant la vis à oreilles qui se trouve sur la cache d'entrée d'air réglable pour modifier la grosseur des bouchées d'entrée d'air. Plus la bouchée est grande, plus la production de chaleur sera faible. Plus la bouchée est petite, plus la production de chaleur sera élevée. La production de chaleur variera d'environ 121 °C (250 °F) entre une cache d'entrée d'air complètement ouverte et complètement fermée.



Ne pas bloquer les bouchées d'entrée d'air qui se trouvent du côté opposé à la cache d'entrée d'air réglable. L'élément de chauffage surchauffera si l'entrée d'air est trop fermée

4. Lorsque vous avez terminé, déplacer l'interrupteur à bascule en position « froid ». Laisser le ventilateur fonctionner pendant quelques minutes afin de refroidir le pistolet. Cette opération permet de prolonger la durée de vie du pistolet thermique.
5. Déplacer l'interrupteur à bascule en position arrêt et débrancher le pistolet thermique.



Remarque : Lorsqu'on arrête le pistolet soit momentanément ou pour le ranger, toujours le placer à la verticale (éviter de le mettre sur le côté). L'outil reste chaud pendant un moment avant de se refroidir; on doit donc attendre que la buse se soit refroidie avant de le ranger, et le débrancher, afin d'éviter les démarrages accidentels.

IMPORTANT: Toujours protéger la surface vitrée lorsqu'on travaille près des fenêtres.



Au cours du travail, éviter de toucher à la buse du pistolet ou à tout outil métallique exposé à l'air chaud. Ceux-ci deviennent extrêmement chauds et peuvent entraîner de graves brûlures. Porter des gants en cuir pour protéger vos mains.

Décapage d'une surface peinte

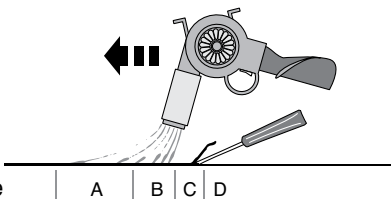
Le pistolet chauffe la surface, ramollissant ainsi la peinture. À ce stade, cette dernière peut être enlevée. Certaines peintures peuvent se ramollir sans se boursoufler, d'autres peuvent adopter une consistance de caoutchouc, et d'autres encore, exiger plus de chaleur. Lorsque l'on doit retirer plusieurs couches de peinture, il est préférable de chauffer la surface en profondeur, jusqu'au bois, afin d'accélérer le processus de décapage. Ainsi toutes les couches peuvent être retirées en une seule fois.

Une brosse métallique douce est probablement l'outil idéal pour travailler sur des surfaces complexes. Les peintures et les finis minéraux, telles les peintures et les porcelaines à base de ciment, ne se ramollissent pas sous l'effet de la chaleur; un outil à air chaud ne sera donc d'aucune utilité pour ce type de produits.

La meilleure méthode pour enlever de la peinture

Déplacer le pistolet lentement et d'une façon régulière vers l'avant en le plaçant de façon qu'il forme un angle avec la surface et pointer la buse dans la direction du mouvement. Ce procédé permet de décaper en toute sécurité en dehors du jet d'air chaud et de conserver le grattoir et la surface décappée plus froide.

- A. Au préalable, l'air chaud chauffe la surface.
- B. La peinture se ramolli sous l'effet de l'air chaud.
- A+B. La chaleur pénètre toute la surface en profondeur.
- C. La peinture peut être enlevée aussitôt que celle-ci s'est ramollie et que le pistolet a été déplacé vers l'avant.
- D. La surface ayant été décappée doit refroidir.



Remarque : Ne pas utiliser le pistolet sur des surfaces susceptibles de s'endommager par la chaleur, comme les panneaux, les parements et les cadres de fenêtres recouverts de vinyle.

Si on utilise le pistolet pour enlever la peinture de cadres de fenêtres, la chaleur émise peut faire ramollir le mastic; s'assurer de ne pas endommager ce dernier avec le grattoir utilisé; le mastic se raffermira une fois refroidi.

Ne pas utiliser le pistolet sur des vitres feuilletées isolantes (comme celles de marque Thermopane par exemple); les bords risuent de se dilater et de percer le calfeutrage.

Lorsque'on gratte les bordures de toit, s'assurer de ne pas surchauffer les bords des bardeaux d'asphalte qui font saillie sur le support de couverture; une chaleur excessive peut faire fondre l'asphalte.

IMPORTANT : Le décapage d'une surface peinte à l'aide d'un pistolet à air chaud est une opération ne présentant aucun danger, pourvu que les directives présentées ci-dessus soient respectées. Il est néanmoins recommandé de conserver un contenant d'eau ou un extincteur ABC à portée de la main.

IMPORTANT : Lire la section comportant des renseignements généraux sur l'utilisation de l'appareil, ainsi que sur la sécurité, présentés dans le présent manuel de l'utilisateur, avant toute utilisation du pistolet à air chaud.

Nettoyage et entretien

Garder les ouvertures d'alimentation du boîtier propres et libres de toute obstruction. Utiliser une brosse douce et sèche pour nettoyer les ouvertures régulièrement. Pour nettoyer le pistolet, utiliser uniquement un linge humide. Plusieurs nettoyants domestiques contiennent des produits chimiques qui pourraient endommager sérieusement le boîtier du pistolet.

Nes pas utiliser d'essence, de térébenthine, de vernis-laque, de diluant pour peintures, de solution à sec (ou tout autre produit semblable) pour nettoyer le pistolet. Ne jamais laisser de liquide s'infiltrer à l'intérieur de l'outil et ne jamais immerger ce dernier, en tout ou en partie dans quelque liquide que ce soit.

Entreposage

Conservé ce manuel avec le pistolet à air chaud.

Attendre que la buse du pistolet se soit refroidie à la température de la pièce avant de l'entreposer. Au bout d'un certain temps d'utilisation, la buse devient noire à cause de la chaleur élevée produite par l'appareil. Ceci est tout à fait normal et ne nuira aucunement à la performance ou à la durée de vie de l'unité.

Accessoires

Les accessoires suivants peuvent être fournis avec le pistolet à air chaud ou peuvent être séparément achetés en appelant 1-800-727-4023.

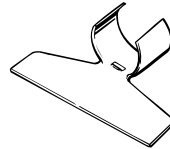
Bec concentrateur
N° de pièce 10355



Bec évasé
N° de pièce 10357

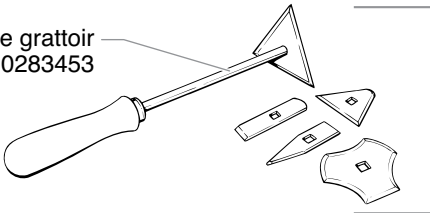


Buse-grattoir
N° de pièce 10356



Grattoir muni de lames interchangeables

Manche de grattoir
N° de pièce 0283453

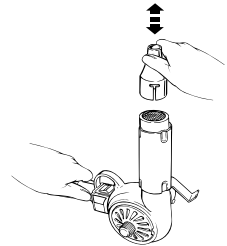


Trousse de cinq lames
N° de pièce 0283452

IMPORTANT : Toujours porter des gants lorsqu'on manipule le pistolet à air chaud.

Pour fixer un accessoire au pistolet:

1. Placer le pistolet à la verticale sur une surface plane et attendre que l'extrémité se soit refroidie.
2. Fixer l'accessories sur l'extrémité due pistolet et l'enfoncer fermement en place.

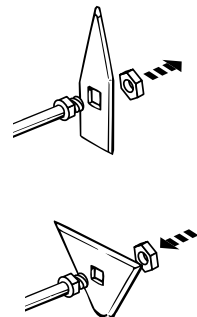


Pour retirer un accessoire:

1. Placer le pistolet à la verticale sur une surface plane et attendre que l'extrémité se soit refroidie.
2. Retirer l'accessoire fixé sur l'extrémité.

Pour remplacer les lames du grattoir:

1. Retirer l'écrou de la poignée située sous la lame.
2. Retirer l'ancienne lame et la remplacer par la nouvelle en les faisant glisser.
3. Visser l'écrou sur la poignée et serrer.



Enregistrement du produit

Enregistrement du produit en ligne sur le site www.wagnerspraytech.com. La enregistrement constitue une preuve d'achat dans l'éventualité où le reçu original serait égaré ou perdu; elle sert également à accélérer le traitement de la garantie.

Garantie Limitée de Wagner - À Conserver

Ce produit, fabriqué par Wagner Spray Tech Corporation (Wagner) est garanti contre tout défaut de matières et de fabrication pour les deux ans qui suivent la date d'achat lorsqu'il est utilisé conformément aux recommandations et directives imprimées de Wagner.

La présente garantie ne vise pas les dégâts ou dommages causés par la mauvaise utilisation, les accidents, la négligence de l'utilisateur ou l'usure normale. La présente garantie ne vise pas les défauts ou dommages causés par l'entretien ou les réparations effectués par toute personne, sauf par un Centre d'entretien autorisé Wagner.

TOUTE GARANTIE IMPLICITE DE VENDABILITÉ OU DE CONVENANCE À UNE DESTINATION PARTICULIÈRE EST LIMITÉE AUX DEUX ANS QUI SUIVENT LA DATE D'ACHAT. EN TOUT ÉTAT DE CAUSE, WAGNER NE SAURAIT ÊTRE TENUE RESPONSABLE DE TOUT DOMMAGE INDIRECT OU CONSÉCUTIF, QUELLE QU'EN SOIT LA NATURE, QUE CE SOIT POUR VIOLATION DE LA PRÉSENTE GARANTIE OU POUR TOUT AUTRE MOTIF. LA PRÉSENTE GARANTIE NE S'APPLIQUE PAS AUX ACCESSOIRES.

CE PRODUIT EST CONÇU POUR USAGE DOMESTIQUE SEULEMENT. LORSQU'IL EST UTILISÉ À DES FINS COMMERCIALES OU DE LOCATION, LA PRÉSENTE GARANTIE NE S'APPLIQUE QUE POUR LES 30 JOURS QUI SUIVENT LA DATE D'ACHAT.

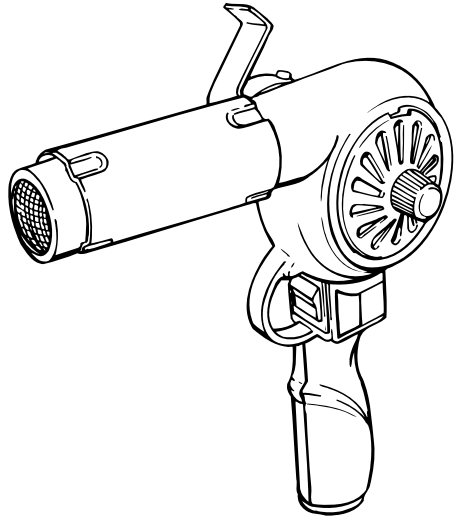
Si un produit démontre un défaut de matières ou de fabrication durant la période de garantie pertinente, le retourner avec la preuve d'achat, port payé, à Wagner Spray Tech, 1770 Fernbrook Lane, Plymouth, MN 55447. Wagner effectuera soit la réparation ou le remplacement du produit (au choix de Wagner) et vous le retournera, frais de poste payés.

CERTAINES PROVINCES N'AUTORISANT AUCUNE RESTRICTION SUR LA DURÉE DE TOUTE GARANTIE IMPLICITE OU AUCUNE EXCLUSION QUANT AUX DOMMAGES IMPRÉVUS OU CONSÉQUENTIELS, LES EXCLUSIONS ET LES RESTRICTIONS ÉNONCÉES CI-DESSUS POURRAIENT NE PAS S'APPLIQUER.

CETTE GARANTIE VOUS CONFÈRE DES DROITS LÉGAUX PARTICULIERS, EN SUS DES AUTRES DROITS PROPRES À CHACUNE DES PROVINCES DONT VOUS POUVEZ BÉNÉFICIER.

WAGNER®

Pistola de aire caliente Modelo HT775 Manual del propietario



Lea todas las instrucciones y etiquetas que tenga el producto. Cuando use herramientas eléctricas, siga todas las precauciones para reducir el riesgo de incendio, electrocución y otras lesiones personales.

¿Necesita ayuda? Llámenos primero para obtener respuestas rápidas. Si tiene cualquier comentario sobre este producto Wagner o problemas con el mismo lláme gratis a Wagner.



1-800-727-4023

Wagner Technical Service

Regístrelo del producto en línea en:

<http://www.wagnerspraytech.com>

1770 Fernbrook Lane, Plymouth, MN 55447



Español

Descripción General

La pistola de aire caliente es una herramienta eléctrica de calidad. Como cualquier herramienta eléctrica, puede ser peligrosa cuando no se usa correctamente. Lea las instrucciones siguientes con cuidado y siga todas las advertencias de seguridad. Será responsabilidad del usuario usar la pistola de aire caliente de manera apropiada.

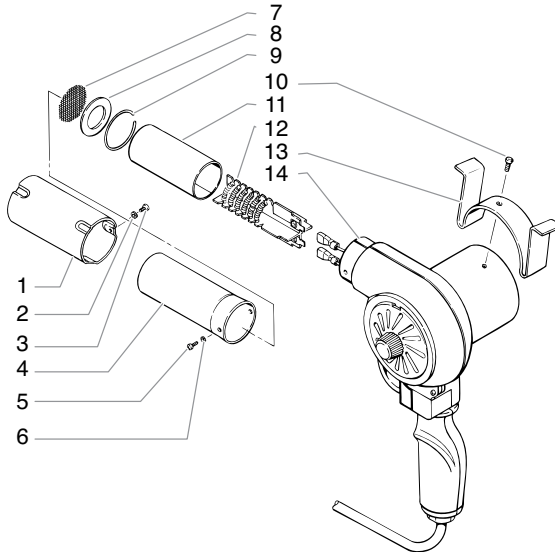
Especificaciones

Cubierta:..... El metal del troquelado.
 Vatiaje:..... 1680 vatios. 120 VCA.
 Salidad de calor 400°C-540°C (750°F-1000°F)
 BTUAproxidamente 5700 BTU en alta

Usos

- Ablandar pinturas, barnices, masillas de calafateo y mastiques para removerlos más fácilmente
- Reblandezca los adhesivos para poder quitar losetas de piso
- Doble tubos de plástico
- Reduzca la tubería para trabajos eléctricos
- Contraiga película de plástico para envolver o proteger contra el clima
- Afloje tuercas, pernos y conexiones oxidadas

Lista de piezas



Art.	Pieza No.	Descripción	Cantidad	Art.	Pieza No.	Descripción	Cantidad
1	0283481	Protector	1	9	0283491	Anillo de retención	1
2	9820906	Arandela	1	10	9804924	Tornillo.....	1
3	9803111	Tornillo.....	1	11	0283485	Hoja de mica	1
4	0283482	Boquilla	1	12	0283292	Base de soporte para la unidad del elemento.....	1
5	9803111	Tronillo.....	1	13	0283484	Base	1
6	9820906	Arandela	1	14	-----	Unidad básica	1
7	0283490	Filtro	1				
8	0283492	Placa	1				



Información de seguridad importante · Lea toda la información de seguridad antes de operar el equipo. Guarde estas instrucciones.

Para reducir los riesgos de incendios, explosiones, descargas eléctricas o lesiones a las personas, lea y entienda todas las instrucciones incluidas en este manual. Familiarícese con los controles y el uso adecuado del equipo.



Indica una situación peligrosa que, de no evitarse, puede causar la muerte o lesiones graves.

PELIGRO DE ENVENENAMIENTO

Se debe tener un cuidado extremo cuando se esté raspando pintura. Las escamas, residuos y vapores de pintura pueden contener plomo, el cual es venenoso. Cualquier pintura que se haya aplicado en las casas antes de 1950 es probable que contenga plomo. Cualquier pintura fabricada antes de 1977 es probable que contenga plomo. Una vez que la pintura se ha depositado sobre la superficie, cualquier contacto que haya de la mano a la boca puede traer como resultado la ingestión de plomo. El estar expuesto a incluso niveles bajos de plomo puede causar daños irreversibles en el cerebro y el sistema nervioso. Los niños pequeños y los fetos son particularmente vulnerables al envenenamiento por plomo.

Antes de iniciar cualquier proceso para quitar pintura debe determinar si la pintura que va a quitar contiene plomo. Esto puede hacerlo el departamento de salud de su localidad o un profesional que utilice un analizador de pintura para verificar el contenido de plomo de la pintura que se va a quitar. **LA PINTURA A BASE DE PLOMO LA DEBE QUITAR SOLAMENTE UN PROFESIONAL Y NO DEBE QUITARSE USANDO UNA PISTOLA DE AIRE CALIENTE.**

PARA PREVENIR:

1. Saque la pieza de trabajo al exterior. Si esto no es posible, mantenga entonces el área de trabajo bien ventilada. Abra las ventanas y ponga un ventilador aspirante en una de ellas. Asegúrese de que el ventilador transporte el aire del interior hacia el exterior.
2. Saque o cubra todas las alfombras, tapetes, muebles, prendas de ropa, utensilios para cocinar y conductos de aire.
3. Ponga unas mantas protectoras en el área de trabajo para que se recoja cualquier pizca o escama de pintura. Póngase ropa protectora como son las camisas, overoles y cascos para trabajos extraordinarios.
4. Trabaje en un sólo cuarto a la vez. Los muebles se deben sacar o poner en el centro del cuarto y cubrirse. Las áreas de trabajo deben cerrarse herméticamente, para aislarlas del resto del inmueble, sellando los arcos de las puertas con mantas protectoras.
5. Los niños, las mujeres que estén embarazadas o que potencialmente puedan estarlo y las mamás que estén amamantando no deberán presentarse en el área de trabajo hasta que el trabajo esté terminado y se haya completado la limpieza.
6. Póngase una mascarilla respiradora de polvos de tipo mascarilla respiradora de polvos y vapores de doble filtro que esté aprobada por la Administración de la Seguridad y Salud Ocupacionales (OSHA por sus siglas en inglés), el Instituto Nacional de la Seguridad y Salud (NIOSH por sus siglas en inglés) o la Oficina de Minas de los Estados Unidos. Estas mascarillas y filtros reemplazables se pueden conseguir fácilmente en las ferreterías principales. Asegúrese de que la mascarilla quede ajustada debidamente. Las barbas y demás pelo facial podrían evitar que las mascarillas sellaran apropiadamente. Cambie los filtros frecuentemente. Las mascarillas de papel desechables no son adecuadas.
7. Sea precavido cuando tenga funcionando la pistola de aire caliente. Mantenga la pistola de aire caliente en movimiento ya que el calor excesivo generará vapores que el operario podría inhalar.
8. Mantenga los alimentos y bebidas fuera del área de trabajo. Lávese las manos, los brazos y la cara y enjuáguese la boca antes de comer o beber algo. No fume ni mastique chicle ni tabaco cuando esté en el área de trabajo.



Información de seguridad importante · Lea toda la información de seguridad antes de operar el equipo. Guarde estas instrucciones.

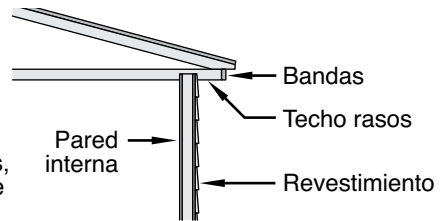
9. Limpie y recoja toda la pintura que se raspó y el polvo trapeando los pisos. Use un trapo mojado para limpiar todas las paredes, bases de ventanas y cualquier otra superficie en donde haya polvo de pintura adherido. **NO BARRA, NI LIMPIE EL POLVO EN SECO O USANDO UNA ASPIRADORA.** Use un detergente de fosfato trisódico (TSP por sus siglas en inglés) con alto contenido de fosfato, para lavar y trapear las áreas.
10. Al final de cada sesión de trabajo, ponga las pizcas y residuos de pintura en una bolsa doble de plástico, ciérrela con una cinta o ataduras de retorsión y elimínela en forma apropiada.
11. Quítese la ropa protectora y los zapatos de trabajo en el área de trabajo para evitar meter el polvo al resto del edificio. Lave las prendas de ropa de trabajo por separado. Limpie los zapatos frotándolos con un trapo mojado y lave después el trapo junto con las prendas de ropa de trabajo. Lávese perfectamente el cabello y el cuerpo con agua y jabón.

PELIGRO DE EXPLOSIÓN O INCENDIO

Esta pistola de aire caliente produce temperaturas extremadamente altas (tan altas como 1450° F [787° C]). Se debe usar con precaución para prevenir que el material combustible se encienda.

PARA PREVENIR:

1. Mantenga la pistola con un movimiento constante. No se pare o detenga en un solo sitio.
2. Sea extremadamente precavido si el otro lado del material que se está raspando está inaccesible, como es la fachada de la casa. El lado oculto podría incendiarse si se pone demasiado caliente. Algunos edificios contienen materiales altamente inflamables por detrás de la fachada, pisos, imposta, paneles del techo y otros. Revise estas áreas antes de aplicarles calor y no use una herramienta de aire caliente si hay materiales inflamables o si desconoce el material oculto.
3. No la use cerca de superficies con grietas ni cerca de tubería de metal o donde haya destellos. El calor podría transmitirse por detrás de la superficie de trabajo y encender el material oculto. La combustión de los materiales ocultos podría no notarse rápidamente, lo que puede traer como consecuencia daños en la propiedad y lesiones.
4. No use herramientas eléctricas cuando haya líquidos o gases inflamables.
5. No la use cerca de materiales combustibles, como son el pasto y hojas secas y el papel, que pueden chamuscarse e incendiarse.
6. La boquilla se pone muy caliente. No recueste la pistola de aire caliente sobre superficies inflamables cuando la tenga funcionando ni inmediatamente después de haberla apagado. Fije siempre la pistola sobre una superficie nivelada y plana de modo que la punta de la boquilla quede apuntando hacia arriba y alejada de la superficie de apoyo.
7. No toque la boquilla hasta que la herramienta se haya enfriado.
8. No use la pistola de aire caliente como secadora de pelo.
9. Las herramientas y la raspadura de pintura se ponen muy calientes. Para evitar las quemaduras, use guantes de trabajo cuando raspe.
10. Trate siempre a las unidades de aire caliente con el mismo respeto con el que trataría a las llamas abiertas.





Información de seguridad importante · Lea toda la información de seguridad antes de operar el equipo. Guarde estas instrucciones.

PELIGRO ELÉCTRICO

Podría causar daños en la propiedad, lesiones severas o la pérdida de la vida.

PARA PREVENIR:

1. No trabaje en áreas mojadas ni exponga la pistola de aire caliente a la lluvia.
2. Protéjase contra choques eléctricos previniendo el contacto corporal con las superficies conectadas a tierra como son las tuberías, radiadores, estufas, escaleras de aluminio y demás dispositivos conectados a tierra.
3. No abuse del cordón eléctrico. No transporte nunca la pistola de aire caliente tomándola del cordón ni jale el cordón para desconectarla de la fuente de energía. Mantenga el cordón eléctrico lejos del calor, lubricantes y bordes filosos. Inspeccione el cordón regularmente para ver que no esté desgastado ni dañado.
4. Use solamente cordones de extensión especificados para uso en exteriores. Si una extensión se daña o de algún modo resulta inapropiada para usarse, reemplácela con una nueva.

PELIGROS GENERALES

Podría causar daños en la propiedad o lesiones severas.

PARA PREVENIR:

1. Desconecte la pistola de aire caliente de la fuente de energía si no la está usando. Guárdela en el interior, en un lugar seco y fuera del alcance de los niños.
2. Mantenga el área donde trabaje bien iluminada y limpia.
3. No se estire, en especial cuando esté trabajando subido en una escalera. Mantenga una pisada y equilibrio apropiados en todo momento. Cerciórese de que cualquier escalera que se esté usando esté firme, estable, sobre una superficie sólida y parada a un ángulo de trabajo seguro.
4. Evite las líneas de energía.
5. Mantenga los artículos que puedan moverse asegurados y firmes mientras esté raspando.
6. Use siempre unas gafas protectoras cuando esté trabajando.
7. Permanezca alerta y use su sentido común cuando tenga funcionando cualquier herramienta.



El polvo, el descascarillado, los residuos y los vapores creados al quitar la pintura contienen químicos que el estado de California ha determinado causan defectos congénitos u otros daños al sistema reproductor. Un ejemplo de esos químicos es el plomo de las pinturas a base de plomo (no use la pistola de aire caliente para quitar pintura a base de plomo). El riesgo de exposición varía, dependiendo de la frecuencia con que realiza este tipo de trabajo. Para reducir la exposición a esos químicos: trabaje en áreas bien ventiladas y trabaje con equipo de seguridad aprobado, por ejemplo, mascarillas antipolvo diseñadas especialmente para filtrar partículas microscópicas.

Instrucciones para Aterrizar

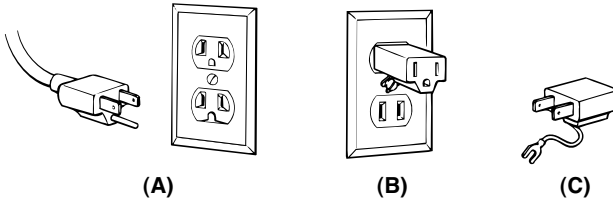
Este producto se debe conectar a tierra. En caso de que ocurra un corto circuito, la conexión a tierra reduce el riesgo de choque eléctrico por proporcionar un alambre de escape para la corriente eléctrica. Este producto viene equipado con una extensión que tiene un alambre de conexión a tierra con una clavija de conexión a tierra apropiada. La clavija se debe enchufar en una toma de corriente que esté debidamente instalada y conectada a tierra, de acuerdo con todos los códigos y normas locales.

ADVERTENCIA - Una instalación inapropiada de la clavija de conexión a tierra puede resultar un riesgo de choque eléctrico.

Si es necesario reparar o reemplazar la extensión o la clavija, no conecte el alambre verde de conexión a tierra en ninguno de los terminales de pata plana. El alambre con aislador que tiene una superficie exterior verde con franjas amarillas o sin ellas es el alambre de conexión a tierra que debe conectarse en el terminal de conexión a tierra.

Verifique con un electricista calificado o técnico de servicio si no ha entendido por completo las instrucciones de conexión a tierra, o si tiene dudas sobre si el producto quedó debidamente conectado a tierra. No modifique la clavija que se proporciona. Si la clavija no cabe en la toma de corriente, pida a un electricista calificado que instale la toma de corriente apropiada.

Este producto se debe usar en un circuito de 120 voltios nominales y tiene una clavija de conexión a tierra que se parece a la que se ilustra en el dibujo A. Si no se contara con una toma de corriente debidamente conectada a tierra, se puede usar un adaptador temporario que se parezca al ilustrado en los dibujos B y C para conectar esta clavija en un enchufe de 2 polos como el que se muestra en el dibujo B. El adaptador temporario se debe usar solamente hasta que un electricista calificado pueda instalar una toma de corriente debidamente conectada a tierra (dibujo A). La orejeta rígida de color verde o similar que se extiende desde el adaptador se debe conectar a una conexión a tierra permanente como es la cubierta de una caja de toma de corriente que esté debidamente conectada a tierra. Siempre que se use el adaptador, se le debe fijar en su lugar con un tornillo de metal.

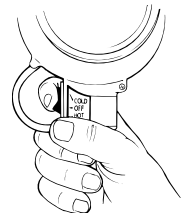


Para usar la pistola de aire caliente



Lea siempre la información de seguridad que se incluye en este manual antes de utilizar la pistola de aire caliente.

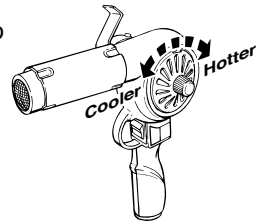
1. Enchufe la unidad en cualquier tomacorriente de pared estándar.
2. Para encender la unidad mueva el conmutador a la posición deseada. El sonido del ventilador motorizado le indicará que la unidad está funcionando. La bobina de calentamiento irá adquiriendo un color fojo oscuro.



Nota: Es posible que observe humo al usar la pistola por primera vez debido al calentamiento de los aceites usados durante la fabricación. El humo debería desaparecer en menos de un minuto.

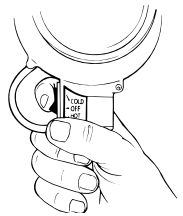
IMPORTANTE: Si el motor impelente de la pistola no enciende al colocar el conmutador en la posición HOT o COLD, apague de inmediato el conmutador. El elemento calefactor se quemará si no recibe aire del ventilador.

- Ajuste la cantidad de calor producido. Esto se logra girando el tornillo de mariposa que se encuentra en la tapa de la toma de aire para cambiar el tamaño de la abertura de la toma. Mientras más grande es la abertura, menos calor se produce y mientras más chica la abertura, más calor se produce. El calor producido varía aproximadamente 121 °C (250 °F) entre la toma totalmente abierta y totalmente cerrada.



No bloquee las tomas de aire opuestas a la tapa de la toma de aire ajustable. El serpentín de calefacción se quemará si se bloquea demasiado la entrada de aire.

- Cuando termine, coloque el botón oscilante en “cold” (frío). Deje el soplador en funcionamiento varios minutos para enfriar la pistola. Esto ayuda a prolongar la vida útil de la pistola de aire caliente.
- Apague y desconecte la pistola.



Nota: Enderece la pistola térmica cada vez que la apague, ya sea por un corto período o para almacenarla. Evite acostarla después de haberla apagado ya que la unidad permanecerá caliente y tardará más enfriarse. Almacene la unidad sólo después de que se haya enfriado la tobera y desenchúfela antes de almacenarla para evitar que se encienda accidentalmente.

IMPORTANTE: Proteja siempre los vidrios cuando trabaje cerca de las ventanas.



No toque la boquilla de la pistola o cualquier herramienta metálica que se exponga al aire caliente cuando use la pistola. Estas se ponen extremadamente calientes y ocasionarán quemaduras severas. Use guantes de cuero para proteger sus manos.

Para raspar pintura

La pistola de aire caliente calienta la superficie y hace que la pintura se reblandezca, en cuyo momento fácilmente se le puede quitar raspando. Algunas de estas pinturas pueden reblandecerse aunque no se formen ampollas en ellas; algunas otras pueden volverse elásticas y otras más podrían requerir un calor más elevado.

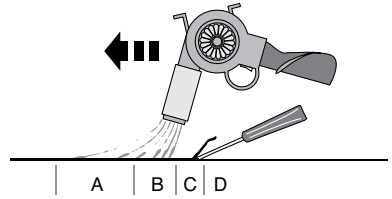
Cuando se trabaja con varias capas de pintura, el proceso de raspado se acelerará calentando la superficie completamente, hasta llegar a la madera. En seguida, todas las capas se pueden raspar a la vez.

La mejor herramienta que puede usarse en las superficies intrincadas es un cepillo de alambre suave. Las pinturas y acabados minerales, como son la pintura de cemento y la porcelana, no se reblandecen con el calor, de manera que el usar una herramienta de calentamiento no servirá para quitar la pintura.

El mejor método para quitar la pintura

Mueva la pistola lentamente y con firmeza hacia adelante, en ángulo recto con la superficie, dirigiendo la punta de la boquilla en la dirección del movimiento. Esto le permite raspar con seguridad, fuera de la corriente de aire caliente, además de que mantiene tanto al raspador como a la superficie raspada más fríos.

- A. El aire caliente calienta previamente la superficie.
- B. La pintura se reblandece por medio de aire caliente.
- A+B. Una penetración profunda del calor sobre toda el área.
- C. La pintura se puede quitar raspando fácilmente tan pronto como se reblandezca y la pistola se mueva hacia adelante.
- D. La superficie raspada se deja enfriar.



Nota: No utilice la pistola térmica sobre superficies que se puedan dañar con el calor, como paneles revestidos con vinilo, chapas de paredes y marcos de ventanas.

Cuando se elimina la pintura de los marcos de ventanas, la masilla se reblandece. Trate de no arrancar la masilla con el raspador, ésta se volverá a endurecer cuando se haya enfriado.

No utilice la pistola térmica sobre láminas de vidrio aislante, como el Thermopane. La expansión de los cantos del vidrio podría romper el sello de éstos.

Cuando raspe impostas, no sobrecaliente los bordes de los tejamaniles de asfalto que sobresalgan por encima del revestimiento exterior. Demasiado calor derretirá el asfalto.

IMPORTANTE: Quitar la pintura con una pistola de aire caliente será un proceso seguro si se siguen las directrices anteriores, pero mantenga siempre tanto un recipiente con agua como un extintor de incendios de clasificación ABC al alcance.

IMPORTANTE: Lea las secciones de operación general y de información de seguridad de este manual del propietario antes de usar la pistola de aire caliente.

Limpeza y mantenimiento

Mantenga la toma de aire de la cubierta limpia y libre de obstrucciones. Use un cepillo suave y seco para limpiar regularmente las tomas. Use solamente un trapo húmedo para limpiar la pistola de aire caliente. Muchos detergentes domésticos tienen sustancias químicas que podrían causar serios daños a la cubierta.

No utilice gasolina, trementina, lacas o disolventes de pintura, sustancias químicas para la limpieza de ropa o productos similares para limpiar la pistola térmica. Jamás permita que penetren líquidos en la herramienta ni sumerja parte alguna de esta en algún líquido.

Almacenamiento

Mantenga este manual junto a la pistola de aire caliente.

Deje que la boquilla de la pistola de aire se enfríe a la temperatura ambiente antes de dejarla almacenada.

La boquilla se oscurecerá con el tiempo a causa del elevado calor. Esto es normal y no afectará el funcionamiento ni la duración de la unidad.

Accesorios

Los accesorios siguientes pueden venir con el pistola de aire caliente o pueden ser comprados separadamente llamando al 1-800-727-4023.

La pistola térmica puede incluir una o más de las siguientes piezas opcionales.

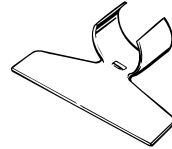
Boquilla concentradora
Pieza No. 10355



Boquilla abocinada
Pieza No. 10357

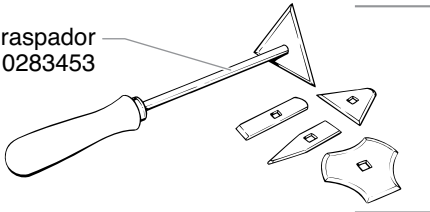


Tobera de raspado
Pieza No. 10356



Raspador con hojas intercambiables

Mango de raspador
Pieza No. 0283453

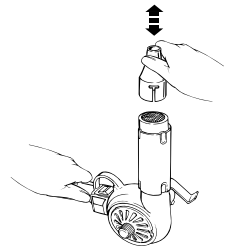


Juego de cinco hojas
Pieza No. 0283452

IMPORTANTE: Use siempre guantes cuando utilice la pistola térmica

Para colocar una pieza opcional en la pistola:

1. Enderece la pistola y colóquela sobre una superficie horizontal hasta que se enfríe la punta.
2. Coloque la pieza en la punta de la pistola y empújela firmemente con la mano hasta que calce en posición.

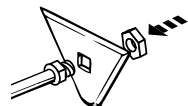
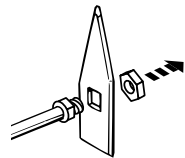


Para retirar una pieza opcional:

1. Enderece la pistola y colóquela sobre una superficie horizontal hasta que se enfríe la punta.
2. Tire de la pieza para retirarla.

Para cambiar las hojas del raspador:

1. Retire la tuerca que está en el mango, debajo de la hoja.
2. Deslice y retire la hoja existente y deslice en posición la hoja que desea utilizar.
3. Atornille y apriete la tuerca en el mango.



Registro del producto

Regístrelo del producto en línea en www.wagnerspraytech.com. El registro apropiado servirá como comprobante de compra en caso de que se extravíe el recibo de compra original. Regístrelo del producto acelerará el proceso de su garantía.

Garantía Limitada de Wagner - Conserve en sus archivos

Este producto, fabricado por Wagner Spray Tech Corporation (Wagner), está garantizado contra defectos de materiales y mano de obra durante 2 años, contados a partir de la fecha de compra, siempre que el producto se opere de acuerdo a las recomendaciones e instrucciones impresas por Wagner. Esta garantía no cubre ningún defecto o daño que resulte de usos indebidos, accidentes, negligencia del usuario o desgaste normal. Esta garantía no cubre ningún defecto o daño ocasionado por mantenimiento o reparación efectuado por cualquiera persona o entidad que no sea un centro de servicios autorizados de Wagner.

CUALQUIER GARANTIA IMPLICITA DE COMERCIALIZACION O IDONEIDAD PARA CUALQUIER PROPOSITO EN PARTICULAR QUEDA LIMITADA A DOS AÑOS A PARTIR DE LA FECHA DE COMPRA. WAGNER NO SERA RESPONSABLE EN NINGUN CASO POR DAÑOS INCIDENTALES O CONSECUENCIALES DE CUALQUIER TIPO, YA SEAN POR INCUMPLIMIENTO DE LA GARANTIA O POR CUALQUIER OTRA RAZON. ESTA GARANTIA NO SE EXTIENDE A LOS ACCESORIOS.

ESTE PRODUCTO HA SIDO DISEÑADO EXCLUSIVAMENTE PARA USOS DOMESTICOS. SI SE USA CON MOTIVOS COMERCIALES O PARA ALQUILER, LA GARANTIA TENDRA UNA DURACION DE 30 DIAS A PARTIR DE LA FECHA DE COMPRA.

Si cualquier producto presenta defectos de materiales o de mano de obra durante el período de garantía, devuélvalo junto con la factura de compra y transporte prepago a Wagner Spray Tech, 1770 Fernbrook Lane, Minneapolis, MN 55447. Wagner reparará o reemplazará el producto (a la opción de Wagner) y lo regresará a usted mediante flete prepago.

ALGUNOS ESTADOS NO PERMITEN LIMITACIONES EN LA DURACION DE UNA GARANTIA IMPLICITA O EN LA EXCLUSION DE GARANTIAS INCIDENTALES O CONSECUENCIALES, ASI QUE LAS LIMITACIONES Y EXCLUSIONES INDICADAS ANTERIORMENTE PUEDEN NO APLICAR A USTED.

ESTA GARANTIA LE OTORGA A USTED DERECHOS LEGALES ESPECIFICOS. USTED PUEDE TENER OTROS DERECHOS, LOS CUALES VARIAN DE UN ESTADO A OTRO.



Wagner Spray Tech
1770 Fernbrook Lane
Plymouth, MN 55447
Tel: 1-800-727-4023

Copyright © Wagner Spray Tech Corporation. All rights reserved, including right of reproduction in whole or in part, in any form. Printed in China.

© Droits d'auteur Wagner Spray Tech Corporation. Tous droits réservés, y compris le droit de reproduction, en entier ou en partie, sous quelque forme que ce soit. Imprimé en Chine.

Copyright © Wagner Spray Tech Corporation. Reservados todos los derechos, incluyendo el derecho de reproducción de cualquier clase, ya sea total o parcial. Impreso en China.

Free Manuals Download Website

<http://myh66.com>

<http://usermanuals.us>

<http://www.somanuals.com>

<http://www.4manuals.cc>

<http://www.manual-lib.com>

<http://www.404manual.com>

<http://www.luxmanual.com>

<http://aubethermostatmanual.com>

Golf course search by state

<http://golfingnear.com>

Email search by domain

<http://emailbydomain.com>

Auto manuals search

<http://auto.somanuals.com>

TV manuals search

<http://tv.somanuals.com>