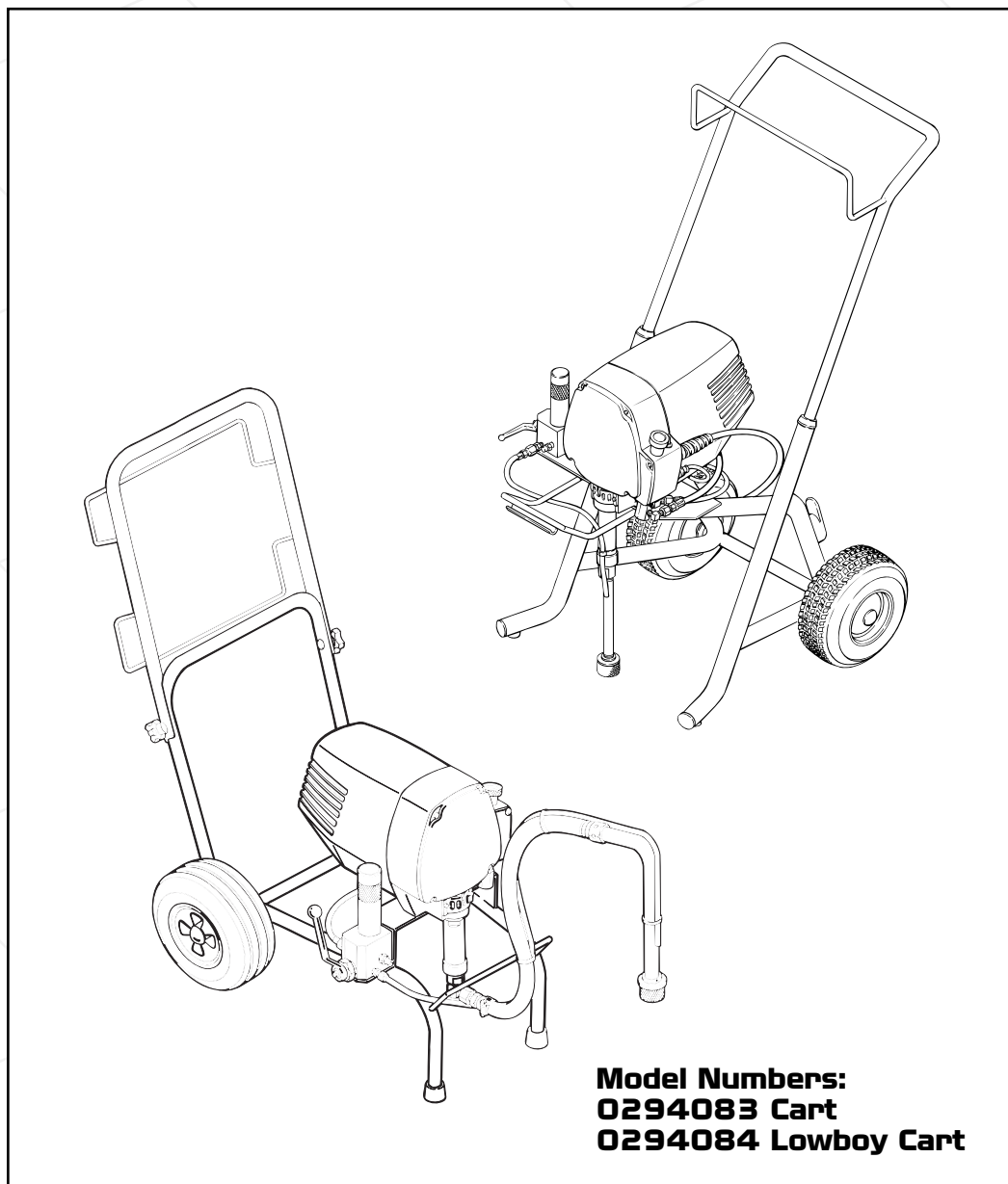


# **EP2300SE Piston Pump**

**Owner's Manual · Notice d'utilisation · Manual del Propietario**



**SprayTECH**<sup>®</sup>  
THE DEPENDABLE CHOICE™

**SprayTECH**  
✉ 1770 Fernbrook Lane  
Minneapolis, MN 55447

Printed in the U. S. A.

0301 © 2001 SprayTECH Corporation. All rights reserved. Form No. 0507805B

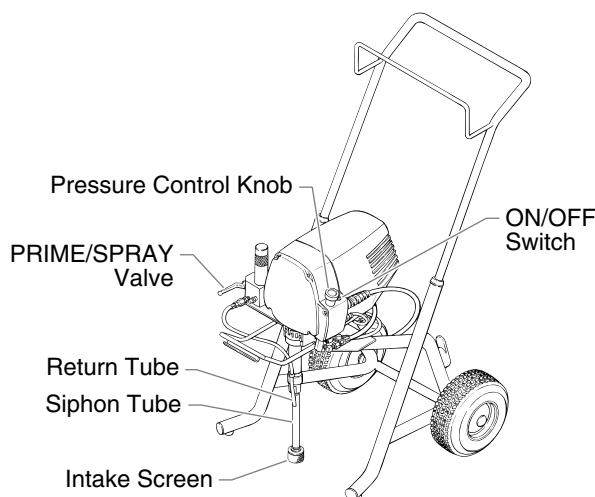
**Español** **Français** **English**

# Table of Contents

<b>General Description</b> .....	2
<b>Safety Precautions</b> .....	2
Grounding Instructions .....	3
Extension Cord Selection .....	4
<b>Operation</b> .....	4
Purging and Priming .....	4
<b>Operating the Spray Gun</b> .....	5
Pressure Relief Procedure .....	5
<b>Spraying</b> .....	6
Spraying Technique .....	6
Practice .....	6
<b>Cleanup</b> .....	6
Flushing the Unit .....	7
<b>Maintenance</b> .....	7
Daily Maintenance .....	7
Repacking the Fluid Section .....	7
Motor Brush Replacement .....	9
Cleaning the Spray Tip .....	9
Cleaning the Filter .....	9
Replacing the Valve Spring Unit .....	9
<b>Accessories</b> .....	10
Choosing the Correct Spray Gun Filter .....	10
<b>Troubleshooting</b> .....	11
<b>Parts listings</b> .....	32
Main Assembly/Cart .....	32
Cart Assembly .....	33
Main Assembly/Low Boy .....	34
Low Boy Cart Assembly .....	35
Drive Assembly .....	36
Pressure Control Assembly .....	38
Transducer Assembly .....	39
Motor Assembly .....	40
Fluid Section Assembly .....	41
Filter/PRIME/SPRAY Valve Assembly .....	42
PRIME/SPRAY Valve Cartridge .....	43
Suction Set Assembly .....	43
<b>Warranty</b> .....	44

## General Description

This high performance piston pump is a precision power tool used for spraying many types of materials. Read and follow this instruction manual carefully for proper operating instructions, maintenance and safety information.



## Safety Precautions

This manual contains information which must be read and understood before using the equipment. When you come to an area which has one of the following symbols, pay particular attention and make certain to heed the safeguard.



This symbol indicates a potential hazard which may cause serious injury or loss of life. Important safety information will follow.



This symbol indicates a potential hazard to you or to the equipment. Important information that tells how to prevent damage to the equipment or how to avoid causes of minor injuries will follow.

**NOTE:** Notes give important information which should be given special attention.



**HAZARD:** Injection injury - A high pressure stream produced by this equipment can pierce the skin and underlying tissues, leading to serious injury and possible amputation. See a physician immediately.

**DO NOT TREAT AN INJECTION INJURY AS A SIMPLE CUT! Injection can lead to amputation. See a physician immediately.**

**The maximum operating range of the unit is 3000 PSI/207BAR fluid pressure.**

### PREVENTION:

- NEVER aim the gun at any part of the body.
- NEVER allow any part of the body to touch the fluid stream. DO NOT allow body to touch a leak in the fluid hose.
- NEVER put your hand in front of the gun. Gloves will not provide protection against an injection injury.
- ALWAYS lock the gun trigger, shut the pump off, and release all pressure before servicing, cleaning the tip or guard, changing tip, or leaving unattended. Pressure will not be released by turning off the motor. The PRIME/SPRAY knob must be turned to PRIME to relieve the pressure. Refer to the PRESSURE RELIEF PRESSURE described in the pump manual.
- ALWAYS keep the tip guard in place while spraying. The tip guard provides some protection but is mainly a warning device.
- ALWAYS remove the spray tip before flushing or cleaning the system.
- The paint hose can develop leaks from wear, kinking and abuse. A leak can inject material into the skin. Inspect the hose before each use.
- NEVER use a spray gun without a trigger lock and trigger guard in place and in good working order.
- All accessories must be rated at or above 3000 PSI/207 BAR. This includes spray tips, guns, extensions, and hose.

### NOTE TO PHYSICIAN:

Injection into the skin is a traumatic injury. It is important to treat the injury as soon as possible. DO NOT delay treatment to research toxicity. Toxicity is a concern with some coatings injected directly into the blood stream. Consultation with a plastic surgeon or reconstructive hand surgeon may be advisable.

**HAZARD: EXPLOSION OR FIRE - Solvent and paint fumes can explode or ignite. Severe injury and/or property damage can occur.**

**PREVENTION:**

- Provide extensive exhaust and fresh air introduction to keep the air within the spray area free from accumulation of flammable vapors.
- Avoid all ignition sources such as static electric sparks, open flames, pilot lights, and hot objects. Connecting or disconnecting power cords or working light switches can make sparks.
- Do not smoke in spray area.
- Fire extinguisher must be present and in good working order.
- Place paint pump at a minimum of 3 feet (preferably more) into a separate, well ventilated room from the spray object or at least 20 feet from the spray object in a well ventilated area (add more hose if necessary). Flammable vapors are often heavier than air. Floor area must be extremely well ventilated. The paint pump contains arcing parts that emit spark and can ignite vapors.
- The equipment and objects in and around the spray area must be properly grounded to prevent static sparks.
- Use only conductive or grounded high pressure fluid hose. Gun must be grounded through hose connections.
- Power cord must be connected to a grounded circuit.
- Always flush unit into a separate metal container, at low pump pressure, with spray tip removed. Hold gun firmly against side of container to ground container and prevent static sparks.
- Follow the material and solvent manufacturer's warnings and instructions.
- Use extreme caution when using materials with a flashpoint below 70° F (21° C). Flashpoint is the temperature that a fluid can produce enough vapors to ignite.
- Plastic can cause static sparks. Never hang plastic to enclose a spray area. Do not use plastic drop cloths when spraying flammable materials.
- Use lowest possible pressure to flush equipment.

**GAS ENGINE (WHERE APPLICABLE)**

Always place pump outside of structure in fresh air. Keep all solvents away from the engine exhaust. Never fill fuel tank with a running or hot engine. Hot surface can ignite spilled fuel. Always attach ground wire from pump unit to a grounded object, such as a metal water pipe. Refer to engine owner's manual for complete safety information.

**HAZARD: EXPLOSION HAZARD DUE TO INCOMPATIBLE MATERIALS - Will cause severe injury or property damage.**

**PREVENTION:**

- Do not use materials containing bleach or chlorine.
- Do not use halogenated hydrocarbon solvents such as mildewcide, methylene chloride and 1,1,1 - trichloroethane. They are not compatible with aluminum.
- Contact your coating supplier about the compatibility of material with aluminum.

**HAZARD: HAZARDOUS VAPORS - Paints, solvents, insecticides, and other materials can be harmful if inhaled or come in contact with the body. Vapors can cause severe nausea, fainting, or poisoning.**

**PREVENTION:**

- Use a respirator or mask if vapors can be inhaled. Read all instructions supplied with the mask to be sure it will provide the necessary protection.
- Wear protective eyewear.
- Wear protective clothing as required by coating manufacturer.

**HAZARD: GENERAL - This product can cause severe injury or property damage.**

**PREVENTION:**

- Read all instructions and safety precautions before operating equipment.
- Always disconnect the motor from the power supply before working on the equipment.
- Follow all appropriate local, state, and national codes governing ventilation, fire prevention, and operation.
- The United States Government Safety Standards have been adopted under the Occupational Safety and Health Act (OSHA). These standards, particularly part 1910 of the General Standards and part 1926 of the Construction Standards should be consulted.
- Use only manufacturer authorized parts. User assumes all risks and liabilities when using parts that do not meet the minimum specifications and safety devices of the pump manufacturer.
- Before each use, check all hoses for cuts, leaks, abrasion or bulging of cover. Check for damage or movement of couplings. Immediately replace the hose if any of these conditions exist. Never repair a paint hose. Replace it with another grounded high-pressure hose.
- All hoses, swivels, guns, and accessories must be pressure rated at or above 3000PSI/207 BAR.
- Do not spray outdoors on windy days.
- Wear clothing to keep paint off skin and hair.

## Grounding Instructions

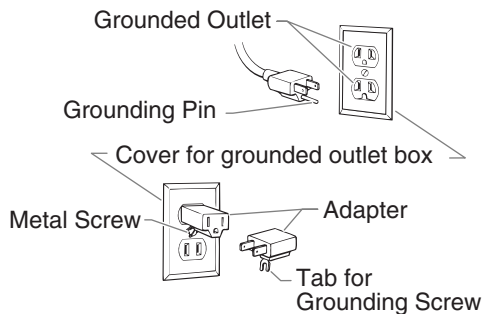
This product must be grounded. In the event of an electrical short circuit, grounding reduces the risk of electric shock by providing an escape wire for the electric current. This product is equipped with a cord having a grounding wire with an appropriate grounding plug. The plug must be plugged into an outlet that is properly installed and grounded in accordance with all local codes and ordinances.

**DANGER** — Improper installation of the grounding plug can result in a risk of electric shock. If repair or replacement of the cord or plug is necessary, do not connect the green grounding wire to either flat blade terminal. The wire with insulation having a green outer surface with or without yellow stripes is the grounding wire and must be connected to the grounding pin.

Check with a qualified electrician or serviceman if the grounding instructions are not completely understood, or if you are in doubt as to whether the product is properly grounded. Do not modify the plug provided. If the plug will not fit the outlet, have the proper outlet installed by a qualified electrician.

This product is for use on a nominal 120 volt circuit and has a grounding plug that looks like the plug illustrated below. A temporary adapter which looks like the adapter illustrated in the figure below may be used to connect this plug to a 2 pole receptacle as shown if a properly grounded outlet is not available.

The temporary adapter should be used only until a properly grounded outlet as shown below can be installed by a qualified electrician. The green colored rigid ear, lug, or the grounding wire extending from the adapter must be connected to a permanent ground such as a properly grounded outlet box cover. Whenever the adapter is used, it must be held in place by a metal screw.



### CAUTION

Use only a 3-wire extension cord that has a 3-blade grounding plug and a 3-slot receptacle that will accept the plug on the product. Make sure your extension cord is in good condition. When using an extension cord, be sure to use one heavy enough to carry the current your product will draw. An undersized cord will cause a drop in line voltage resulting in loss of power and overheating. A 14 or 12 gauge cord is recommended. If an extension cord is to be used outdoors, it must be marked with the suffix W-A after the cord type designation. For example, a designation of SJTW-A would indicate that the cord would be appropriate for outdoor use.

**NOTE:** Do not use more than 50 feet of extension cord. If you need to paint further than 100 feet from your power source, use more paint hose, not more extension cord.

## Operation

### Purging and Priming

#### CAUTION

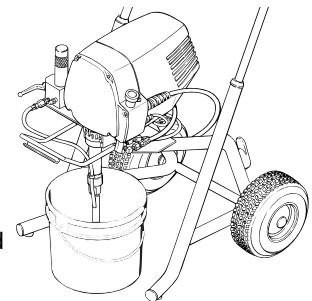
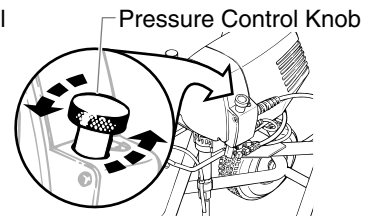
**Always keep the spray gun locked in the off position while purging the system.**

If this unit is new, it is shipped with test fluid in the fluid section to prevent corrosion during shipment and storage. If you are going to spray with latex paint, this fluid must be thoroughly cleaned out of the system. For spraying with solvent-based paint, thorough cleaning of this material is not necessary.

If it is already in service, you will need to purge the water or solvent used in cleanup.

#### Purging and Priming the Pump for Latex Paint

1. Secure the return hose into a waste container.
2. Place a bucket of soapy water under the suction tube.
3. Turn the pressure control knob fully counterclockwise to reduce the pressure to its lowest setting.
4. Set the PRIME/SPRAY valve to PRIME.
5. Turn the ON/OFF switch to ON.
6. Slowly turn the pressure control knob clockwise to increase the pressure until fluid starts to come out of the return hose. Use only enough pressure to keep the fluid coming out.
7. Turn the pressure control knob fully counterclockwise to its lowest setting when the test fluid is purged and soapy water is coming out of the return hose.
8. Remove the bucket of soapy water from the suction tube and replace it with a bucket of clear water.
9. Increase the pressure to the minimum necessary to keep fluid flowing until clear water is coming out of the return hose.
10. Turn the pressure control knob fully counterclockwise to its lowest setting.
11. Remove the bucket of water from under the suction tube and replace it with a container of latex paint.
12. Increase the pressure slowly until paint is coming through the return hose.
13. Remove the return hose from the waste container and place it in its operating position above the container of latex paint.
14. Keep circulating the paint through the system until the paint coming out of the return hose is free of air bubbles.
15. Turn the pressure control knob fully counterclockwise to its lowest setting.

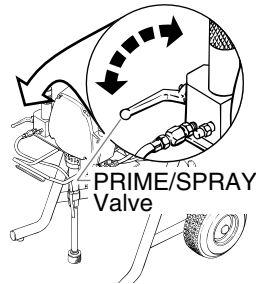


The pump is now purged. Skip to **Purging and Priming the Spray Hose**.

## Purging and Priming for Solvent-Based Paint

Thorough cleaning is not necessary when using solvent-based paint. All you need to do is purge the test fluid from the system.

1. Secure the return hose into a waste container.
2. Place a full container of paint under the suction tube.
3. Turn the pressure control knob fully counterclockwise to reduce the pressure to its lowest setting.
4. Set the PRIME/SPRAY valve to PRIME.
5. Turn the ON/OFF switch to ON.
6. Slowly turn the pressure control knob clockwise to increase the pressure until fluid starts to come out of the return hose. Use only enough pressure to keep the fluid coming out.
7. Turn the pressure control knob fully counterclockwise to its lowest setting when the test fluid is purged and paint is coming out of the return hose.
8. Remove the return hose from the waste container and place it in its operating position above the container of solvent-based paint.
9. Keep circulating the paint through the system until the paint coming out of the return hose is free of air bubbles.
10. Turn the pressure control knob fully counterclockwise to its lowest setting.



The pump is now purged. Skip to **Purging and Priming the Spray Hose**.

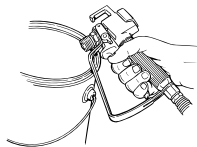
## Purging and Priming the Spray Hose

After the pump is purged and primed, you must do the same for the spray hose.

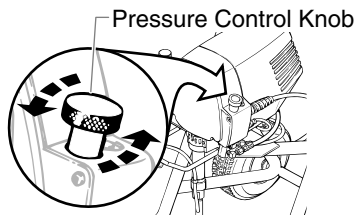
**NOTE: Make certain that the spray gun has no tip installed.**

### **WARNING**

**If a metal container is used, ground the gun by holding it against the edge of the container while flushing. Failure to do so may lead to a static electric discharge which may cause a fire.**



1. Turn the pressure control knob fully counterclockwise to its lowest setting.
2. Set the PRIME/SPRAY knob to SPRAY.
3. Unlock the spray gun.
4. Turn the pressure control knob slowly clockwise to increase pressure.
5. Trigger the gun into a waste container until all air, water or solvent is purged from the spray hose and paint is flowing freely.
6. Turn the pressure control knob fully counterclockwise to its lowest setting.
7. Set the PRIME/SPRAY knob to PRIME and trigger the gun into the waste container to be sure that no pressure is left in the hose.
8. Lock the spray gun trigger lock.



## Operating the Spray Gun

### **WARNING**

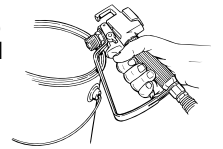
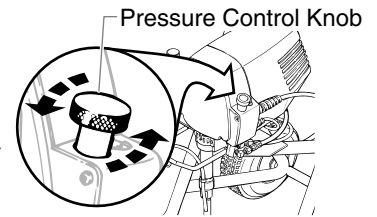
**POSSIBLE INJECTION HAZARD. Do not spray without the tip guard in place. Never trigger the gun unless the tip is in either the spray or the unclog position. Always engage the gun trigger lock before removing, replacing or cleaning tip.**

## Pressure Relief Procedure

### **WARNING**

**Be sure to follow the pressure relief procedure when shutting the unit down for any purpose, including servicing or adjusting any part of the spray system, changing or cleaning spray tips, or preparing for cleanup.**

1. Lock the gun by turning the gun trigger lock to the locked position.
2. Turn the motor off.
3. Turn the pressure control knob counterclockwise to its lowest setting.
4. Turn the PRIME/SPRAY knob to PRIME.
5. Unlock the gun by turning the gun trigger lock to the unlocked position.
6. Hold the metal part of the gun firmly to the side of a metal container to ground the gun and avoid a build up of static electricity.
7. Trigger the gun to remove any pressure which may still be in the hose.
8. Lock the gun by turning the gun trigger lock to the locked position.



### **WARNING**

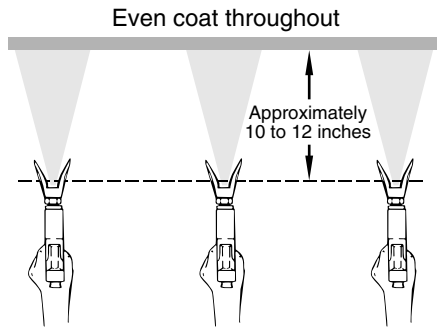
**POSSIBLE INJECTION HAZARD. Do not spray without the tip guard in place. Never trigger the gun unless the tip is in either the spray or the unclog position. Always engage the gun trigger lock before removing, replacing or cleaning tip.**

# Spraying

**NOTE: When spraying block filler, mastics or high solid coating, leave out the gun filter and high pressure filter screens.**

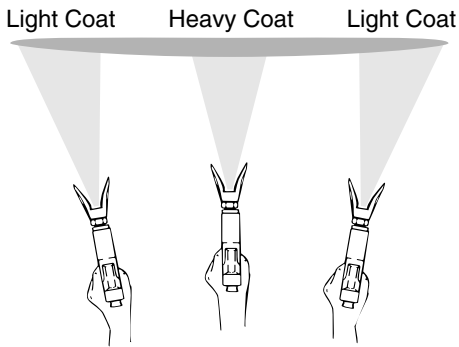
## Spraying Technique

The key to a good paint job is an even coating over the entire surface. This is done by using even strokes. Keep your arm moving at a constant speed and keep the spray gun at a constant distance from the surface. The best spraying distance is 10 to 12 inches between the spray tip and the surface.



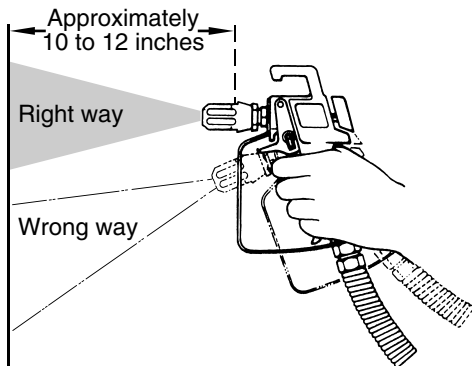
Keep stroke smooth and at an even speed.

Keep the spray gun at right angles to the surface. This means moving your entire arm back and forth rather than just flexing your wrist.



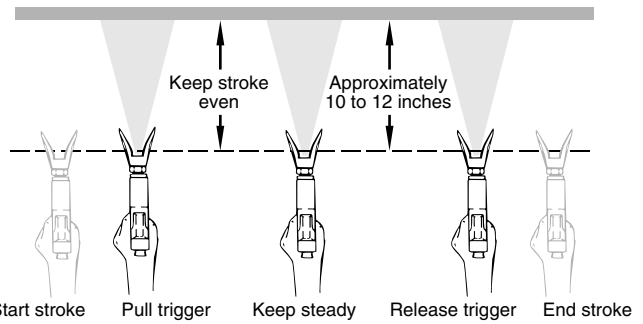
Do not flex wrist while spraying.

Keep the spray gun perpendicular to the surface, otherwise one end of the pattern will be thicker than the other.



The spray gun should be triggered by turning it on and off with each stroke. This will save paint and avoid paint buildup at the end of the stroke. Do not trigger the gun during the middle of a stroke. This will result in an uneven spray and splotchy coverage.

## Proper way to trigger the spray gun

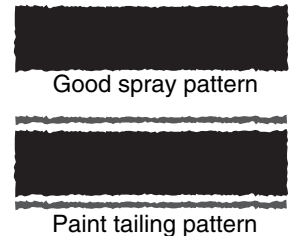


Overlap each stroke by about 30%. This will ensure an even coating.

When you stop painting, lock the gun trigger lock, turn the pressure control knob counterclockwise to its lowest setting and set the PRIME/SPRAY valve to PRIME. Turn the motor switch to OFF and unplug the sprayer.

## Practice

1. Be sure that the paint hose is free of kinks and clear of objects with sharp cutting edges.
2. Turn the pressure control knob counterclockwise to its lowest setting.
3. Turn the PRIME/SPRAY valve to SPRAY.
4. Turn the pressure control knob clockwise to its highest setting. The paint hose should stiffen as paint begins to flow through it.
5. Unlock the gun trigger lock.
6. Trigger the spray gun to bleed air out of the hose.
7. When paint reaches the spray tip, spray a test area to check the spray pattern.
8. Use the lowest pressure setting necessary to get a good spray pattern. If the pressure is set too high, the spray pattern will be too light. If the pressure is set too low, tailing will appear or the paint will spatter out in gobs rather than in a fine spray.



## Cleanup

**WARNING**

### Special cleanup instructions for use with flammable solvents:

- Always flush spray gun preferably outside and at least one hose length from spray pump.
- If collecting flushed solvents in a one gallon metal container, place it into an empty five gallon container, then flush solvents.
- Area must be free of flammable vapors.
- Follow all cleanup instructions.

**CAUTION**

The pump, hose, and gun should be cleaned thoroughly after daily use. Failure to do so permits material to cake, seriously affecting the performance of the unit.

**WARNING**

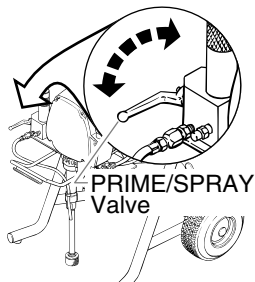
Always spray at minimum pressure with the gun nozzle tip removed when using mineral spirits or any other solvent to clean the pump, hose, or gun. Static electricity buildup may result in a fire or explosion in the presence of flammable vapors.

## Flushing the Unit

Flush the unit with the solvent appropriate to the material being used after daily use. The unit should then be flushed again with mineral spirits.

For long term storage, flush the unit with an appropriate oil before storing.

1. Follow the pressure relief procedure found earlier in this manual.
2. Turn the PRIME/SPRAY valve to spray to bleed off any pressure remaining in the pump.
3. Remove the gun tip and clean with a solution appropriate to the type of material being sprayed.
4. Remove the material container and replace it with a container of solvent appropriate to the type of material being sprayed.
5. Check to be sure the pressure control knob is turned fully counterclockwise to its lowest setting.
6. Turn the power switch to on.
7. Trigger the spray gun into a waste container until solvent comes out and the pump, hose, and gun are clean.
8. Follow the pressure relief procedure found earlier in this manual.
9. Make certain that the power switch is turned to off.
10. Turn the PRIME/SPRAY valve to spray to bleed off any remaining solvent.
11. Unplug the unit and store in a clean, dry area.



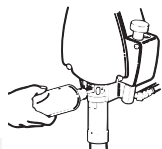
## Maintenance

### Daily Maintenance

Perform the following procedures daily.

#### Filling the Packing Nut Reservoirs With Oil

Before you start to spray each day, squirt a lubricant such as hydraulic oil into the slots in the upper pump housing. Household oil and cooking oil also work when hydraulic oil is not available.



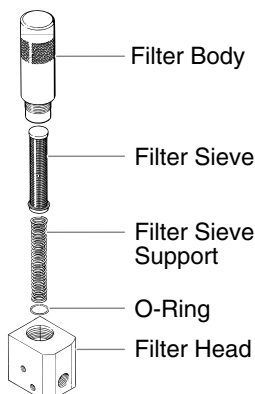
**NOTE: Do not apply so much that it overflows and drips into the paint.**

This lubricant keeps the piston seals pliant, minimizing paint bypass and piston wear. If the unit is operated several hours a day, lubricate approximately every 4 hours.

#### Cleaning the High Pressure Filter Screen

The high pressure filter will clog and must be cleaned at least once a day.

1. Turn the filter body counterclockwise to remove it from the filter head.
2. Take out the filter sieve and wash it thoroughly with the appropriate solvent. Scrub the filter sieve with a fiber-bristled brush if necessary.



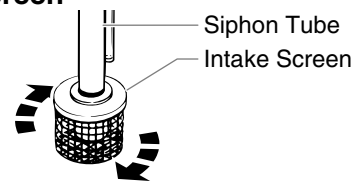
**CAUTION**

Do not use a wire brush. It could damage the filter sieve.

**NOTE: If you are using block fillers, mastics or other similar materials, leave the filter out.**

## Cleaning the Intake Screen

1. Remove the intake screen and clean with a solvent appropriate to the type of material being used.



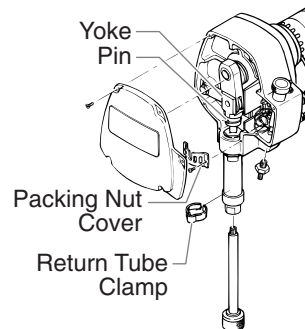
## Repacking the Fluid Section

Repacking the fluid section includes replacing the packings as well as any valve parts that show signs of wear.

**NOTE: If any parts are difficult to disassemble, soak them in an appropriate solvent until the paint softens.**

### Removing the Fluid Section

1. Unscrew the siphon tube assembly from the fluid section assembly.
2. Unscrew the fluid hose from the fluid section assembly.
3. Remove the return tube clamp and move the return tube away from the fluid section assembly.
4. Unscrew the five screws holding the front cover to the pump housing and remove the cover.
5. Unscrew the two screws holding the packing nut cover to the pump housing and remove the cover.
6. Carefully run the pump for short intervals until the connecting pin is in front of the recessed area of the pump housing.
7. Disconnect the pump's power cord from the power supply.
8. Push the connecting pin out of the piston rod and yoke. Use the short end of a hex wrench if necessary.
9. Loosen the locknut at the top of the fluid section assembly.
10. Unscrew the fluid section assembly from the pump.



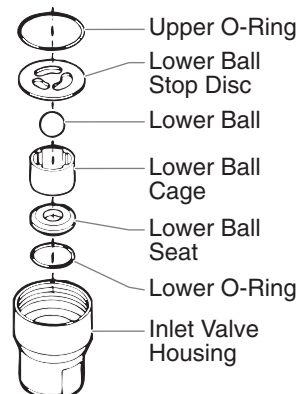
**CAUTION**

Do not run the pump with the fluid section assembly removed.

### Disassembling the Fluid Section

#### Disassembling the Inlet Valve Housing

1. Place the wrench flats of the inlet valve housing into a vise. Tighten the vise.
2. Unscrew the cylinder from the inlet valve housing in a counterclockwise direction. Set the cylinder aside.
3. Remove and inspect the upper o-ring. If damaged, replace the o-ring during re-assembly.
4. Remove the inlet valve housing from the vise. Tap out the lower ball stop disk, the lower ball cage, and the lower ball.
5. Remove the lower ball seat. Inspect the ball and ball seat for damage. If the lower ball seat is worn or damaged it can be flipped to the unused side during re-assembly. The lower ball must be replaced if it is damaged or if the lower ball seat is flipped.
6. Remove the lower o-ring from the inlet valve holder.

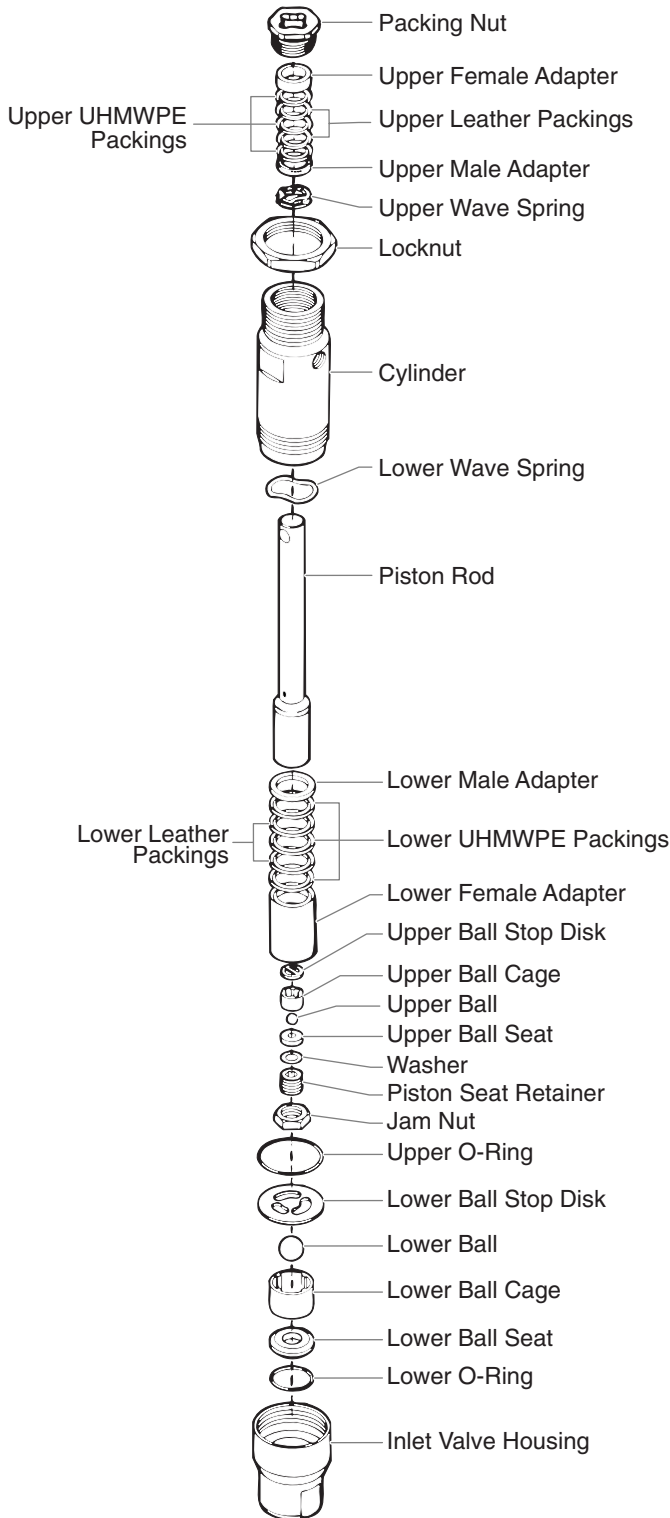


## Disassembling the Cylinder and the Piston Rod

1. Place the wrench flats of the cylinder into the vise. Tighten the vise.

### CAUTION

Do not over-tighten the vise. Damage to the cylinder may occur.



2. Remove the packing nut.
3. Gently tap the piston rod assembly out of the lower end of the cylinder with a rubber mallet.

### CAUTION

When removing the piston, keep the piston from falling or the piston may be damaged.

4. Remove the lower leather and UHMWPE packings and the lower female adapter from the cylinder if they did not come out with the piston rod.
5. Remove the lower male adapter and the lower wave spring.
6. Remove the upper leather and UHMWPE packings, the upper female adapter, the upper male adapter, and the upper wave spring.
7. Insert the connecting pin through hole in the piston rod. Lock the connecting pin in the vise jaws so the piston rod is positioned vertically..

### CAUTION

Do not put the piston rod itself into the vise. The vise jaws will damage piston rod.

8. Remove the jam nut.
9. Remove the piston seat retainer with a 5/16" hex wrench.
10. Remove the piston rod assembly from the vise.
11. Remove the washer, the upper ball seat, the upper ball, the upper ball cage, and the upper ball stop disk from lower end of piston rod assembly.
12. Inspect the upper ball, and the upper ball seat for damage. If the upper ball seat is worn or damaged it can be flipped to the unused side during re-assembly. The upper ball must be replaced if it is damaged or if the upper ball seat is flipped. The washer must be replaced.

## Reassembling the Fluid Section

1. Insert the connecting pin through hole in the piston rod. Lock the connecting pin in the vise jaws so the piston rod is positioned vertically
2. Insert the upper ball stop disk, the upper ball cage, the new upper ball, the new upper ball seat, and the new washer into the piston assembly.
3. Place removable lock-tite on the piston seat retainer and insert the retainer into the piston rod assembly. Tighten the piston seat retainer (Torque to 250 in./lbs.).
4. Place removable lock-tite on the jam nut. Tighten the jam nut onto the piston seat retainer (Torque to 200 in./lbs.)
5. Remove the piston rod assembly from the vise.
6. Place the wrench flats of the cylinder into the vise. Tighten the vise.
7. Soak the new upper leather packings in linseed oil for 5 minutes. Do not over-soak.
8. Insert the new lower wave spring and the new lower male adapter into the cylinder.
9. Remove the new lower leather packings from the oil. Install the new lower leather packings alternately with the new lower UHMWPE packings.
10. Insert the new lower female adapter.
11. Insert the piston rod assembly into the bottom of the cylinder. A slight force may be required to push the piston rod up through the lower packings.
12. Place the new lower o-ring, the new lower ball seat, the lower ball cage, the new lower ball, and the lower ball stop disk into the inlet valve holder.
13. Place anti-seize compound on the lower threads of the cylinder.
14. Place the new upper o-ring on the cylinder.
15. Loosen the vise and tilt the cylinder assembly to a 45 degree angle. Tighten the vise.
16. Tighten the inlet valve holder onto the cylinder until the cylinder bottoms out in the inlet valve holder. Make sure to use the wrench flats on the inlet valve holder to tighten completely (Torque to 40 ft./lbs.).
17. Soak the new upper leather packings in linseed oil for 5 minutes. Do not over-soak.



18. Insert the new upper wave spring and the new upper male adapter.
19. Remove the new upper leather packings from the oil. Install the new upper leather packings alternately with the new upper UHMWPE packings. (A tool, SprayTECH part #06009, may be required to compress the packings.)
20. Insert the new upper female adapter.
21. Install the packing nut and tighten until the nut bottoms out in the cylinder (Torque to 25 ft./lbs.). Do not over-tighten.
22. Install the locknut onto the upper cylinder threads and turn until the nut bottoms out on the threads of the cylinder.
23. Put anti-seize compound on the upper cylinder threads.
24. Remove the repacked fluid section from the vice and install it into the main pump housing. The piston rod will align itself inside the yoke.
25. Rotate the fluid section slightly to align the hole in the yoke and the hole in the piston assembly. Insert the connecting pin.
26. Replace the spring retainer.
27. Thread the fluid section into the pump housing completely, then unscrew up to 3/4 turn to align the outlet elbow with the fluid hose.
28. Rotate the locknut clockwise until it is tight against the pump housing.

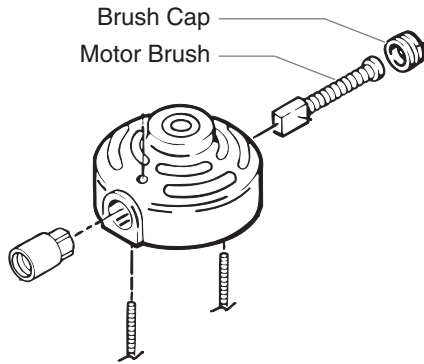
## Motor Brush Replacement

Brushes should be inspected periodically to insure uninterrupted service. Their life depends on speed as well as load.

If one of the brushes measures less than 1/4" or is worn roughly or chipped, replace both motor brushes. It is also recommended that brushes be checked when packings are replaced.

### WARNING

**Never operate the pump with the front cover removed.**

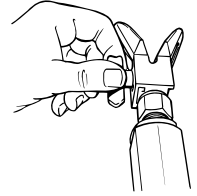


1. Disconnect power cord from electrical supply.
2. Remove the four (4) motor shroud mounting screws and remove the motor shroud.
3. Unscrew and remove brush caps holding brushes in place.
4. Remove brushes.
5. Replace with new brushes.
6. Replace brush caps.
7. Replace motor shroud and screws.

## Cleaning the Spray Tip

1. Flush the gun with solvent immediately after the work is completed.
2. Oil the sliding pins to prevent them from seizing up.

Should the spray tip become clogged, reverse the spray tip with the lever and pull the trigger. Once the obstruction comes out of the spray tip, release the trigger, reverse the spray tip back to the spray pattern setting, and resume spraying.



### WARNING

**Do not attempt to clean the tip with your finger.**

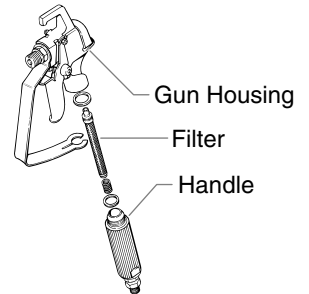
**Do not use a needle or other sharp pointed instrument to clean the tip. The hard tungsten carbide is brittle and can be chipped.**

## Cleaning the Filter

Clean the filter with a brush dipped in solvent. Never poke the filter with a sharp instrument.

## Changing the Filter

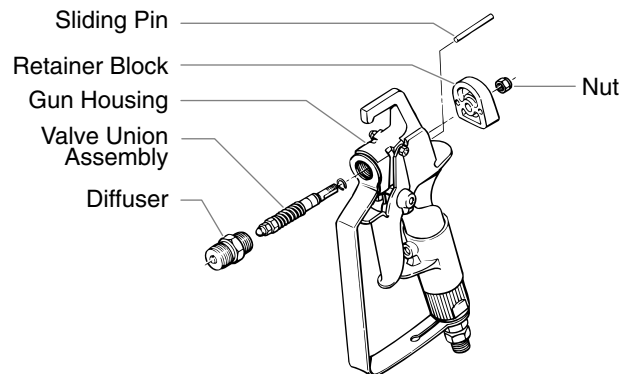
1. Pull the trigger guard forward so that it comes loose from the handle.
2. Unscrew the handle from the housing and remove the old filter.
3. Slide the new filter, taper end first, into the gun housing.
4. Replace the handle, washer and spring. Screw the handle into the housing until hand-tight. Replace the trigger guard.



## Replacing the Valve Union Assembly

**NOTE: Replace the packing if the spray gun is disassembled. Replace the sliding pins if they are worn.**

1. Unscrew the spray tip.
2. Lock the gun in the ON position and remove the diffuser with a wrench.
3. Unlock the gun.
4. Unscrew the nut with a wrench and remove the retainer block.
5. Remove the sliding pins with care and store them in a safe place so they will not be lost.
6. Drive the valve union assembly forward from the back of the retainer block. Use the handle of a wooden hammer or similar soft tool to avoid damaging the valve union assembly.



## Accessories

<b>Part No.</b>	<b>Description</b>
0297xxx	RC Tip Assembly
0502xxx	Replacement Core, RC Tip
0297078	Tip Guard, RC Tip (11/16")
0297070	Tip Guard, RC Tip (7/8")
0291004	Hose, Whip End, 3' x 3/16"
0291003	Hose, Whip End, 5' x 3/16"
0291002	Hose, Wireless, 25' x 1/4"
0291000	Hose, Wireless, 50' x 1/4"
0093896	Hose Connector, 1/4" x 1/4"M
0088154	Pressure Gauge
0152001	Power Roller Gun Attachment
0152308	9" Roller Cover, 3/8" Nap
0152307	9" Roller Cover, 1/2" Nap
0152309	9" Roller Cover, 3/4" Nap
0152310	9" Roller Cover, 1-1/4" Nap
0152235	12" Roller Cover, 1/2" Nap
0152236	12" Roller Cover, 3/8" Nap
0152237	12" Roller Cover, 3/4" Nap
0152238	12" Roller Cover, 1-1/4" Nap
0152700	Adapter, Power Roller Extension
0270145	G-10 Four Finger Airless Spray Gun (no tip)
0093930	Anti-Seize Compound
0152909	R-10 Telescoping Roller, 9", 3/8" Nap
0152900	R-10 Telescoping 12" Roller, 3/8" Nap
0502007	G-10 Four Finger Airless Spray Gun with 517 Reversible Tip
0502011	G-10 Two Finger Airless Spray Gun (no tip)
0502009	G-10 Two Finger Airless Spray Gun with 517 Reversible Tip
0270214	G-10 Four Finger Spray Pack with 50' x 1/4" airless hose
0502012	G-10 Two Finger Spray Pack with 50' x 1/4" Airless Hose

## Choosing the Correct Spray Gun Filter

Use the proper gun filter based on the type of material being applied as shown below.

<b>Part no.</b>	<b>Application</b>	<b>Filter type</b>	<b>Mesh number</b>	<b>Color of Filter body</b>
0089960	Synthetic resin, enamels, clean varnishes, stains azures	Extrafine	0.084 mm	red
0089959	Base coat enamels, primer enamels, fillers, marking paints, textured enamels	Fine	0.140 mm	yellow
0089958	Emulsions, latex paints, acrylic paints	Medium	0.315 mm	white
0089957	Filler paints, large area surfaces	Coarse	0.560 mm	green

# Troubleshooting

## Problem

The unit will not run.

## Cause

1. Blown panel fuse or tripped breaker.
2. The unit is not plugged in.
3. The pressure control knob is set too low.
4. Faulty or loose wiring.
5. Worn motor brushes.
6. Faulty ON/OFF switch fuse.

## Solution

1. Check and replace or reset.
2. Plug the unit in.
3. Turn the knob clockwise to increase the pressure.
4. Inspect and take to a SprayTECH authorized service center.
5. Take to a SprayTECH authorized service center.
6. Take to a SprayTECH authorized service center.

The unit will not prime.

1. The piston packings are dried out.
2. The pump inlet screen is plugged.
3. There is air in the pump or hose.
4. The packings are worn.
5. The fluid is too viscous.

1. Remove the suction tube and feel the lower ball check to be sure it is free to move off its seat. Place a full cup of paint thinner over the end of the fluid section and turn the pump on.
2. Remove the screen and clean.
3. Trigger the gun and run the unit for about 10 seconds until air is purged.
4. Replace the packings.
5. Prime the pump with a solvent appropriate to the material being used. Carefully remove the pump from the solvent container and immerse the suction tube in heavy material to be sprayed. With the nozzle tip removed, trigger the gun until the heavy material appears at the gun. Replace the nozzle tip.
6. Remove the suction tube and clean.
7. Check the connection and seal.

The unit will not build or maintain pressure.

1. The pressure adjusting knob is not properly set.
2. The pump intake screen is dirty.
3. The PRIME/SPRAY valve balls or seals are worn or dirty.
4. There is air in the pump or hose.
5. The packings are worn.
6. The spray tip is worn.

1. Turn the pressure control knob clockwise to increase the pressure.
2. Remove and clean the intake screen.
3. Replace or clean.
4. Trigger the gun and run the unit for about 10 seconds until the air is purged.
5. Replace the packings.
6. Replace the spray tip following the instructions that came with your gun.
7. With the gun trigger closed, allow the unit to pump up to pressure and shut off. If the pump momentarily starts, internal leakage is indicated and fluid section repacking or valve replacement is necessary.
8. Check for external leaks including hydraulic fittings attached to the pressure control housing.
9. Consult the manufacturer's recommendations on the material container.
10. Replace the spray tip following the instructions that came with your gun.

Fluid leakage at the upper end of the fluid section.

1. The upper packings are worn.
2. The piston rod is worn.

1. Relieve the pressure or replace the packings.
2. Replace the piston rod.

Poor spray pattern.

1. The spray tip is too large for the material being used.
2. The pressure adjustment is wrong.
3. Insufficient fluid delivery.
4. The fluid is too viscous.

1. Change to a smaller tip.
2. Adjust the pressure control knob.
3. Clean all screens and filters.
4. Add solvent according to the manufacturer's recommendations.

The unit lacks power.

1. The pressure adjustment is too low.
2. Improper voltage supply.

1. Increase the pressure.
2. Reconnect the input voltage for 120V AC.

Blown fuses at the pump.

1. There is excessive pressure.
2. A circuit breaker has tripped.
3. The gear box, linkage, or motor has failed.

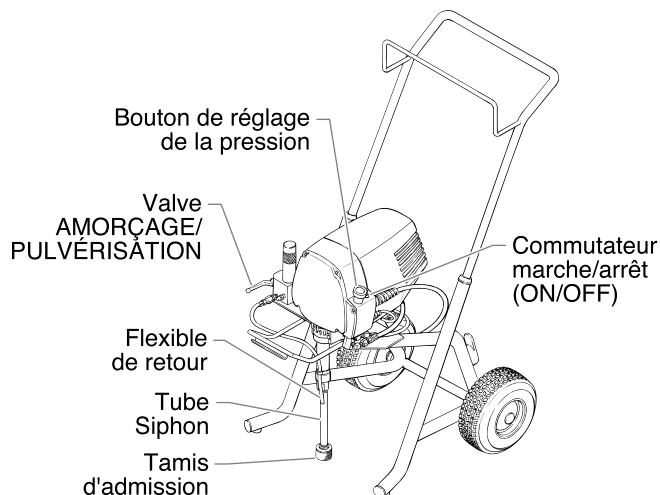
1. Take to a SprayTECH authorized service center.
2. Take to a SprayTECH authorized service center.
3. Repair or replace the malfunctioning parts.

## Table des matières

Introduction	12
Sécurité	12
Instructions de mise à la terre	13
Choix d'une rallonge	14
Mode d'emploi	14
Vidange et amorçage	14
Mode d'emploi du pistolet de pulvérisation	15
Procédure de décompression	15
Pulvérisation	16
Technique de pulvérisation	16
Utilisation	16
Nettoyage	16
Purge de l'appareil	17
Entretien	17
Entretien quotidien	17
Remplacement des garnitures de la section fluide	17
Remplacement des balais du moteur	19
Nettoyage de la tête de pulvérisation	19
Nettoyage du filtre	20
Remplacement du ressort de valve	20
Accessoires	20
Choix du filtre approprié pour le pistolet de pulvérisation	20
En cas de problème	21
Liste des pièces	32
Dispositif de principale/Chariot	32
Dispositif de chariot	33
Dispositif de principale/Low Boy	34
Dispositif de chariot Low Boy	35
Dispositif de entraînement	36
Dispositif de réglage de la pression	38
Ensemble transducteur	39
Ensemble moteur	40
Compartiment liquide	41
Filtre/Ensemble vanne AMORÇAGE/PULVÉRISATION	42
Cartouche de soupape AMORÇAGE/PULVÉRISATION	43
Dispositif de succion	43
Garantie limitée	45

## Introduction

Cette pompe à piston de haute performance est un appareil électrique de précision qui peut être utilisé pour la pulvérisation d'un grand nombre de produits. Lisez attentivement ce manuel et suivez scrupuleusement les consignes qui y sont données quant au mode de fonctionnement, à l'entretien et l'utilisation sécuritaire de l'appareil.



## Sécurité

Le présent manuel comprend des renseignements devant être lus attentivement avant toute utilisation de l'appareil. Lorsque l'un des symboles suivants apparaît, il est recommandé d'être particulièrement attentif et de tenir compte des mesures de sécurité indiquées.

### ⚠ AVERTISSEMENT

Ce symbole indique un danger potentiel pouvant causer des blessures graves ou même mortelles. Des renseignements importants sur la sécurité sont également indiqués.

### ⚠ ATTENTION

Ce symbole indique un danger potentiel pouvant causer des blessures corporelles ou des dommages à l'équipement. Des renseignements importants sur la façon de prévenir tout dommage à l'équipement ou toute blessure corporelle mineure sont également indiqués.

**NOTA : Les remarques donnent des renseignements importants requérant une attention particulière.**

### ⚠ AVERTISSEMENT

**DANGER: BLESSURES PAR PERFORATION - Le jet de peinture à haute pression produit par cet appareil peut perforer la peau et les tissus sous-jacents et entraîner de sévères blessures pouvant nécessiter une amputation. Consultez immédiatement un médecin.**

**NE PAS TRAITER UNE BLESSURE PAR PERFORATION COMME UNE SIMPLE COUPURE! Une perforation peut entraîner des risques d'amputation. Consultez immédiatement un médecin.**

**Pression de service maximale du fluide dans l'appareil : 3000 lb/po2 / 207BAR.**

#### MESURES PRÉVENTIVES:

- NE JAMAIS diriger le pistolet vers une quelconque partie du corps.
- NE JAMAIS mettre une quelconque partie du corps en contact avec le jet de liquide. NE JAMAIS se mettre au contact d'un jet de liquide provenant d'une fuite du flexible d'alimentation en liquide.
- NE JAMAIS placer votre main devant le pistolet. Des gants ne vous protégeront pas contre les risques de blessures par perforation.
- TOUJOURS verrouiller la gâchette du pistolet, fermer la pompe à liquide et décompresser l'appareil lorsque vous travaillez sur celui-ci, nettoyez le protecteur de tête, remplacez la tête de pulvérisation ou vous éloignez de l'appareil. Couper le moteur ne décompresse pas l'appareil. Vous devez, pour le décompresser, placer le bouton AMORÇAGE/PULVÉRISATION en position AMORÇAGE. Reportez-vous, pour cela, à la PROCÉDURE DE DÉCOMPRESSION décrite dans de ce manuel.
- TOUJOURS s'assurer que le protecteur de tête est en place lorsque vous pulvérisiez. Le protecteur de tête offre une certaine protection contre les blessures par perforation mais sa principale fonction est d'ordre préventif.
- TOUJOURS ôter la tête de pulvérisation avant de purger ou nettoyer l'appareil.
- Le flexible d'alimentation en peinture peut fuir à la suite d'une usure, de chocs ou de mauvais traitements. Une fuite peut entraîner une perforation de la peau. Inspecter le flexible avant chaque utilisation.
- NE JAMAIS utiliser un pistolet dont la gâchette n'est pas munie d'un loquet ou un cran de sécurité qui soit en état de fonctionner.
- Tous les accessoires doivent être homologués pour une pression égale ou supérieure à 3 000 lb/po2 / 207BAR. Cela s'applique, entre autres, aux têtes de pulvérisation, aux accessoires du pistolet et aux flexibles.

**AVERTISSEMENT AUX MÉDECINS : Une perforation sous-cutanée constitue un traumatisme. Il est important de traiter la blessure de façon chirurgicale aussitôt que possible. NE RETARDEZ PAS ce traitement pour des recherches de toxicité. La toxicité n'est un risque que dans les cas où certains produits de revêtement pénètrent dans le flux sanguin. Il peut être nécessaire de faire appel à des soins de chirurgie plastique ou de reconstruction de la main.**

**DANGER: RISQUES D'EXPLOSION OU D'INCENDIE - Les vapeurs dégagées par le solvant ou la peinture sont explosives et inflammables et peuvent causer des corporels sérieux ou dommages matériels.**

#### MESURES PRÉVENTIVES:

- Veiller à éviter toute accumulation de vapeurs inflammables en vous assurant que la zone où la pulvérisation a lieu est suffisamment ventilée.
- Veiller à éviter la présence de toute source incandescente telle qu'étincelle électrostatique, flamme nue, flamme-pilote, objet brûlant, cigarette et étincelle provenant du branchement ou du débranchement d'un cordon d'alimentation électrique ou d'un commutateur.
- Ne pas fumer dans la zone d'épandage.
- Toujours avoir un extincteur en état de fonctionner à portée de la main.
- Placer la pompe à peinture à une distance d'au moins un mètre (3 pi) (on recommande d'ailleurs une plus grande distance) de l'objet qui doit être vaporisé dans une pièce séparée bien aérée, ou à une distance d'au moins six mètres (20 pi) de celui-ci dans une zone bien aérée (utiliser d'autres tuyaux si nécessaires). Les vapeurs inflammables sont souvent plus lourdes que l'air. Le plancher doit être extrêmement bien aéré. La pompe à peinture contient des pièces pouvant créer des étincelles et enflammer les vapeurs présentes dans l'air.
- Le matériel utilisé, ainsi que les objets se trouvant à proximité de la zone de pulvérisation, doivent être convenablement reliés à la terre afin d'éviter toute étincelle ou toute décharge électrostatique.
- N'utiliser que des flexibles d'alimentation en liquide à haute pression conducteurs ou reliés à la terre dans les cas d'utilisation sans air comprimé. S'assurer que le pistolet est convenablement relié à la terre par l'intermédiaire du flexible.
- Le cordon d'alimentation doit être raccordé à un circuit mis à la terre.
- Toujours purger l'appareil dans un contenant métallique séparé, en s'assurant que la pompe soit à basse pression et que le chapeau soit retiré. Tenir le pistolet fermement contre la paroi du contenant pour mettre celui-ci à la terre et empêcher l'émission d'étincelles causées par l'électricité statique.
- Se conformer aux consignes et recommandations de sécurité du fabricant du solvant ou du produit.
- S'entourer de toutes les précautions possibles lorsqu'on utilise des produits ayant un point d'éclair inférieur à 21 °C (70 °F). Le point d'éclair d'un fluide est la température à laquelle les vapeurs émanant du fluide peuvent s'enflammer au contact d'une flamme ou d'une étincelle.
- Le plastique peut être une source d'étincelles provoquées par l'électricité statique. Ne jamais utiliser une couverture en plastique pour fermer une zone d'épandage ni utiliser des toiles de protection en plastique lors de la pulvérisation de matières inflammables.
- Lorsque vous purgez l'appareil, veillez à utiliser à la pression minimale.

#### MOTEUR À ESSENCE (DANS LES CAS OÙ CELA S'APPLIQUE)

Toujours placer la pompe à l'extérieur de la structure à l'air frais. Garder tous les solvants loin de l'échappement du moteur. Ne jamais remplir le réservoir à carburant lorsque le moteur est en marche ou lorsqu'il est chaud ; les surfaces chaudes risquent d'enflammer le carburant déversé accidentellement. Toujours raccorder un fil de mise à la terre entre la pompe et un objet mis à la terre, tel qu'une conduite d'eau métallique. Se reporter au guide d'utilisation du moteur pour obtenir de plus amples renseignements concernant la sécurité.

**DANGER: RISQUES D'EXPLOSION PAR INCOMPATIBILITÉ DES MATÉRIAUX - Peuvent être à l'origine de corporels sérieux ou dommages matériels.**

#### MESURES PRÉVENTIVES:

- Ne pas utiliser de matériaux contenant des agents de blanchiment ou du chlore.
- Ne pas utiliser des solvants à base d'hydrocarbure halogéné tels que l'agent anticryptogamique, le chlorure de méthylène et le trichloro-éthane-1,1,1. Ces produits ne sont pas compatibles avec l'aluminium.
- Communiquer avec votre fournisseur de revêtement pour connaître la compatibilité du matériau avec l'aluminium.

**DANGER: VAPEURS NOCIVES – la peinture, les solvants, les insecticides et autres matériaux peuvent être nocifs lorsqu'ils sont inhalés ou en contact avec le corps. Les vapeurs peuvent causer une nausée importante, des évanouissements ou un empoisonnement.**

#### MESURES PRÉVENTIVES:

- Utiliser un respirateur ou un masque chaque fois qu'il y a des risques d'inhalation de vapeurs. Lire attentivement toutes les instructions se rapportant au masque pour vérifier que celui-ci vous assure une protection suffisante contre les vapeurs toxiques.
- Porter des lunettes de protection.
- Porter des vêtements de protection, conformément aux directives du fabricant de revêtement.

**DANGER: GÉNÉRALITÉS - Peut causer des dommages matériels ou corporels sérieux.**

#### MESURES PRÉVENTIVES:

- Avant d'utiliser tout équipement, lire attentivement toutes les instructions et les consignes de sécurité
- Toujours débrancher le moteur de l'alimentation électrique avant d'effectuer des travaux sur l'appareil.
- Se conformer à la législation locale, provinciale ou fédérale pour tout ce qui concerne la ventilation, la prévention des incendies et les conditions générales d'utilisation.
- Les normes de sécurité du Gouvernement américain sont régies par le Occupational Safety and Health Act (OSHA). Il est important de consulter ces normes, en particulier la section 1910 sur les normes générales et la section 1926 sur les des normes de la construction.
- N'utiliser que les pièces autorisées par le fabricant. L'utilisateur assume tous les risques et responsabilités lorsqu'il utilise des pièces qui ne sont pas conformes aux caractéristiques techniques minimales ainsi qu'aux dispositifs de sécurité du fabricant de la pompe.
- Vérifier, avant toute utilisation, que les flexibles ne présentent pas d'entaille ou de fuite, que le couvercle ne soit pas gonflé et que les raccords ne soient pas endommagés. Si le flexible a subi l'un des dommages précités, remplacez-le immédiatement. Ne jamais réparer un flexible d'alimentation en peinture. Le remplacer par un autre flexible mis à la terre.
- Tout flexible, raccord orientable, pistolet et accessoire utilisé avec cet appareil doit pouvoir fonctionner à une pression égale ou supérieure à 3 000 lb/po2 / 207BAR.
- Ne jamais pulvériser lorsqu'il vente.
- Porter des vêtements pour protéger la peau et les cheveux contre tout contact avec la peinture.

## Instructions de mise à la terre

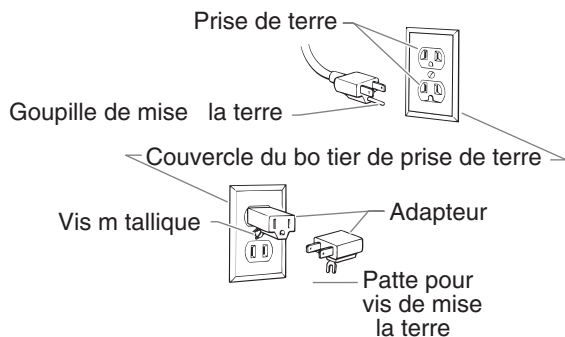
Cet appareil doit être mis à la terre. La mise à la terre réduit les risques d'électrocution lors d'un court-circuit en permettant au courant de s'écouler par le fil de mise à la terre. Cet appareil est muni d'un cordon électrique avec fil de mise à la terre ainsi que d'une fiche de terre. La fiche doit être branchée sur une prise installée correctement et mise à la terre conformément à la réglementation et aux codes en vigueur.

**DANGER** — Une prise de terre mal branchée peut être à l'origine d'électrocutions. S'il s'avère nécessaire de réparer ou de remplacer le cordon électrique ou la fiche, ne pas brancher le fil vert de mise à la terre sur l'une ou l'autre des bornes à broche plate. Le fil recouvert d'un isolant vert avec ou sans rayures jaunes est le fil de mise à la terre et doit être branché sur la borne de mise à la terre.

Si vous ne comprenez pas les instructions de mise à la terre ou si vous n'êtes pas sûr que l'appareil est correctement mis à la terre, contactez un électricien agréé. Ne pas modifier la fiche d'origine. Si la prise ne convient pas à la fiche, faites installer la prise adéquate par un électricien agréé.

Cet appareil est conçu pour un tension normale de 120 V et est muni d'une fiche de mise à la terre semblable à celle de l'illustration ci-dessous. Un adaptateur temporaire semblable à celui illustré à la figure ci-dessous, peut être utilisé pour raccorder cette fiche dans une prise bipolaire, tel qu'illustré, lorsqu'une prise de courant avec contact de mise à la terre n'est pas disponible.

L'adaptateur temporaire doit être utilisé seulement jusqu'à ce qu'une prise de courant avec contact de mise à la terre, tel qu'illustré ci-dessous, puisse être installée par un électricien qualifié. L'oreillette de fixation rigide de couleur verte ou le fil de mise à la terre raccordé à l'adaptateur doit être mis à la terre en permanence, par l'entremise d'un composant quelconque, tel qu'une boîte de sortie. Lorsque l'adaptateur est utilisé, il doit être tenu en place au moyen d'une vis métallique.



### ATTENTION

Utiliser uniquement une rallonge à trois fils munie d'une fiche de terre dans une prise secteur mise à la terre correspondant au type de fiche de l'appareil. S'assurer que votre rallonge est en bon état. Lorsque vous utilisez une rallonge, assurez-vous qu'elle soit d'un calibre suffisant pour supporter l'intensité du courant requise par l'appareil. Une rallonge trop mince entraîne une chute de tension, une diminution de l'intensité et une surchauffe. Une rallonge de calibre 14 ou 12 est recommandée. Si vous devez utiliser une rallonge à l'extérieur, celle-ci doit comprendre la marque W-A après la désignation indiquant le type de cordon. Par exemple, la désignation SJTW-A indique que le cordon est conçu pour être utilisé à l'extérieur.

**NOTA:** Ne pas utiliser de rallonge de plus de 16 m (50 pi). Si vous devez peindre à plus de 33 m de la prise d'alimentation, utilisez un tuyau de peinture plus long et non une rallonge plus longue.

## Mode d'emploi

### Vidange et amorçage

### ATTENTION

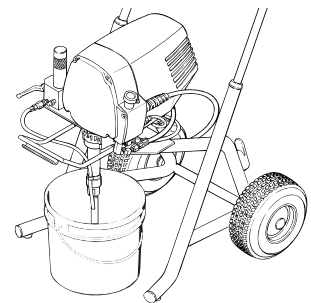
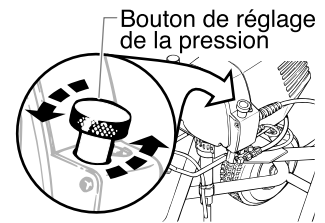
Toujours garder le pistolet en position FERMÉE (OFF) lors de la vidange de l'appareil.

Un appareil neuf est rempli d'un liquide d'essai afin d'empêcher toute corrosion pendant le transport et l'entreposage. Si vous utilisez ce pistolet avec de la peinture au latex, il est important de complètement drainer ce fluide du système. Si vous devez utiliser une peinture à base de solvant, un nettoyage complet n'est pas nécessaire.

Si cet appareil a déjà été utilisé, vous devez vidanger l'eau ou le solvant utilisé pour le nettoyage.

### Vidange et amorçage de la pompe pour utilisation avec de la peinture au latex

1. Placez l'extrémité du flexible de retour dans un récipient de récupération.
2. Plongez le tube siphon dans un seau d'eau savonneuse.
3. Tournez le bouton de réglage de la pression à fond dans le sens contraire des aiguilles d'une montre afin de réduire la pression au minimum.
4. Placez le bouton AMORÇAGE/ PULVÉRISATION dans la position AMORÇAGE.
5. Placez le commutateur MARCHE/ARRÊT sur MARCHE.
6. Tournez doucement le bouton de réglage de la pression dans le sens des aiguilles d'une montre afin d'augmenter la pression jusqu'à ce que le liquide commence à sortir par le flexible de retour. N'utilisez que la pression minimale nécessaire à ce que le liquide s'écoule.
7. Lorsque le liquide d'essai a été vidangé et que l'eau savonneuse s'écoule par le flexible de retour, tournez le bouton de commande de la pression dans le sens contraire des aiguilles d'une montre jusqu'à la position minimale.
8. Retirez le tube siphon du seau d'eau savonneuse et plongez-le dans un seau d'eau claire.
9. Augmentez la pression jusqu'à ce que de l'eau claire commence à sortir du flexible de retour.
10. Tournez le bouton de réglage de la pression à fond dans le sens contraire des aiguilles d'une montre jusqu'à la position minimale.
11. Retirez le tube siphon du seau d'eau claire et plongez-le dans le pot de peinture au latex.
12. Augmentez progressivement la pression jusqu'à ce que la peinture sorte par le flexible de retour.
13. Retirez le flexible de retour du récipient de récupération et placez-le dans sa position de fonctionnement au-dessus du pot de peinture au latex.
14. Continuez de faire circuler la peinture dans l'appareil jusqu'à ce que la peinture sortant du flexible de retour ne contienne plus de bulles.
15. Tournez le bouton de réglage de la pression à fond dans le sens contraire des aiguilles d'une montre jusqu'à la position minimale.

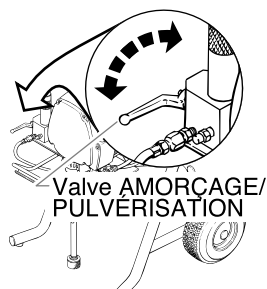


La pompe est maintenant vidangée. Passez maintenant à la section **Vidange et amorçage du flexible de pulvérisation**.

## Vidange et amorçage pour peinture à base de solvant

Un nettoyage complet n'est pas nécessaire pour l'utilisation de peinture à base de solvant. Seule la purge du fluide d'essai de l'appareil est nécessaire.

1. Placez l'extrémité du flexible de retour dans un récipient récupération.
2. Placez le tube siphon dans un pot de peinture.
3. Tournez le bouton de réglage de la pression à fond dans le sens contraire des aiguilles d'une montre afin de réduire la pression au minimum.
4. Placez le bouton AMORÇAGE/PULVÉRISATION sur AMORÇAGE.
5. Placez le commutateur MARCHE/ARRÊT sur MARCHE.
6. Tournez doucement le bouton de réglage de la pression dans le sens des aiguilles d'une montre afin d'augmenter la pression jusqu'à ce que le liquide commence à sortir par le flexible de retour. N'utilisez que la pression minimale nécessaire à ce que le liquide s'écoule.
7. Lorsque le liquide d'essai a été vidangé et que la peinture s'écoule par le flexible de retour, tournez le bouton de commande de la pression à fond dans le sens contraire des aiguilles d'une montre jusqu'à la position minimale.
8. Retirez le flexible de retour du récipient de récupération et placez-le dans sa position de fonctionnement au-dessus du pot de peinture à base de solvant.
9. Continuez de faire circuler la peinture dans l'appareil jusqu'à ce que la peinture sortant par le flexible de retour ne contienne plus de bulles.
10. Tournez le bouton de réglage de la pression à fond dans le sens contraire des aiguilles d'une montre jusqu'à la position minimale.



La pompe est maintenant vidangée. Passez maintenant à la section **Vidange et amorçage du flexible de pulvérisation**.

## Vidange et amorçage du flexible de pulvérisation

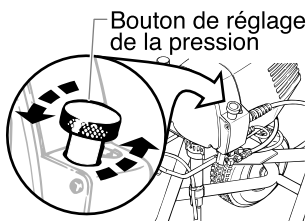
Une fois la pompe vidangée et amorcée, il faut effectuer la même procédure pour le flexible de pulvérisation.

**NOTA : S'assurer qu'aucune tête de pulvérisation n'est installée sur le pistolet.**

### ⚠ AVERTISSEMENT

**Si vous utilisez un récipient métallique, maintenez le pistolet contre la paroi du récipient pour créer une mise à la terre durant la purge. Si vous ne faites pas cela, vous risquez que se produisent des décharges d'électricité statique qui pourraient entraîner un incendie.**

1. Tournez le bouton de réglage de la pression à fond dans le sens contraire des aiguilles d'une montre jusqu'à la position minimale.
2. Placez le bouton AMORÇAGE/PULVÉRISATION sur PULVÉRISATION.
3. Déverrouillez le pistolet.
4. Tournez doucement le bouton de réglage de la pression dans le sens des aiguilles d'une montre afin d'augmenter la pression.



5. Appuyer sur la gâchette du pistolet, celui-ci étant dirigé sur un récipient de récupération, jusqu'à ce l'air, l'eau ou le solvant soit purgé du flexible de pulvérisation et que la peinture s'écoule librement.
6. Tournez le bouton de réglage de la pression à fond dans le sens contraire des aiguilles d'une montre jusqu'à la position minimale.
7. Placez le bouton AMORÇAGE/PULVÉRISATION sur AMORÇAGE, dirigez le pistolet sur le récipient de récupération et appuyez sur la gâchette du pistolet afin de vous assurer que le flexible n'est plus sous pression.
8. Verrouillez le pistolet.

## Mode d'emploi du pistolet de pulvérisation

### ⚠ AVERTISSEMENT

**RISQUES DE PERFORATION. Ne jamais utiliser le pistolet sans protecteur de tête. Ne jamais utiliser le pistolet sans tête de pulvérisation que ce soit en position pulvérisation ou débouchage. Toujours mettre le cran de sûreté du pistolet avant d'enlever, de remplacer ou de nettoyer la tête.**

### ⚠ AVERTISSEMENT

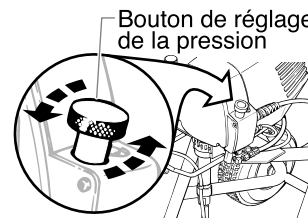
**Toujours verrouiller le pistolet lorsqu'il ne sert pas.**

## Procédure de décompression

### ⚠ AVERTISSEMENT

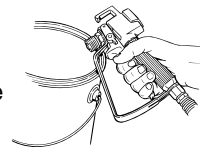
**Assurez-vous de bien suivre la procédure de décompression lorsque vous fermez l'appareil pour quelque raison que ce soit : entretien, réglage d'une pièce du système de pulvérisation, remplacement ou nettoyage des têtes de pulvérisation, préparation de l'appareil pour son nettoyage ou autre.**

1. Verrouillez le pistolet en plaçant le loquet dans la position de verrouillage.
2. Coupez le moteur.
3. Tournez le bouton de réglage de la pression à fond dans le sens contraire des aiguilles d'une montre jusqu'à la position minimale.
4. Placez le bouton



AMORÇAGE/PULVÉRISATION en position AMORÇAGE.

5. Déverrouillez le pistolet en plaçant le loquet dans la position de déverrouillage.
6. Appuyez fermement la partie métallique du pistolet contre la paroi d'un récipient métallique afin de mettre le pistolet à la terre et d'éviter l'accumulation d'électricité statique.
7. Appuyez sur la gâchette afin de libérer toute pression qui pourrait rester dans le flexible.
8. Verrouillez le pistolet en plaçant le loquet dans la position de verrouillage.



### ⚠ AVERTISSEMENT

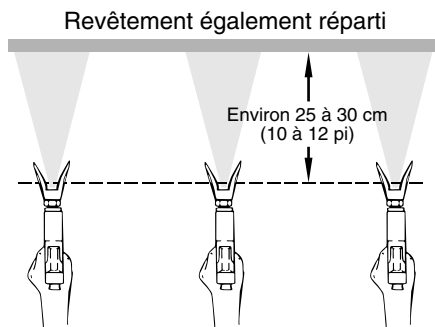
**RISQUES DE PERFORATION. Ne jamais utiliser le pistolet sans protecteur de tête. Ne jamais utiliser le pistolet sans tête de pulvérisation que ce soit en position pulvérisation ou débouchage. Toujours mettre le cran de sûreté du pistolet avant d'enlever, de remplacer ou de nettoyer la tête.**

# Pulvérisation

**NOTA :** Lorsque vous pulvérisez du hourdis, du mastic ou une peinture à haut extrait sec, n'utilisez pas le filtre du pistolet ou le filtre tamis de haute pression.

## Technique de pulvérisation

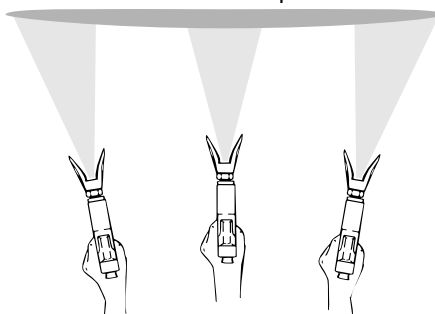
Pour obtenir une peinture d'un fini impeccable il est essentiel que le produit soit également réparti sur toute la surface. Il faut pour cela que vous appliquiez la peinture de façon régulière en déplaçant votre bras à vitesse constante et en gardant le pistolet de pulvérisation à une distance constante de la surface. La meilleure distance de pulvérisation est de 25 à 30 cm (10 à 12 po) entre le pistolet et la surface traitée.



Déplacez votre bras d'un mouvement régulier et à vitesse constante.

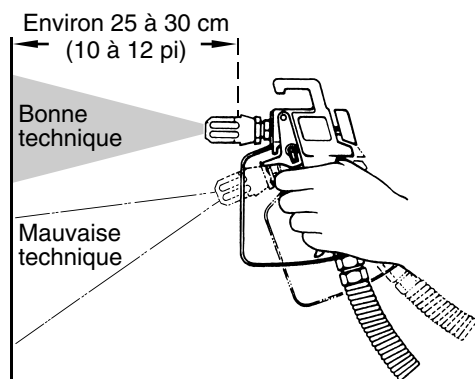
Gardez le pistolet perpendiculaire à la surface traitée. Il vous faut pour cela déplacer tout votre bras de haut en bas et non pas seulement fléchir votre poignet.

Revêtement fin    Revêtement épais    Revêtement fin



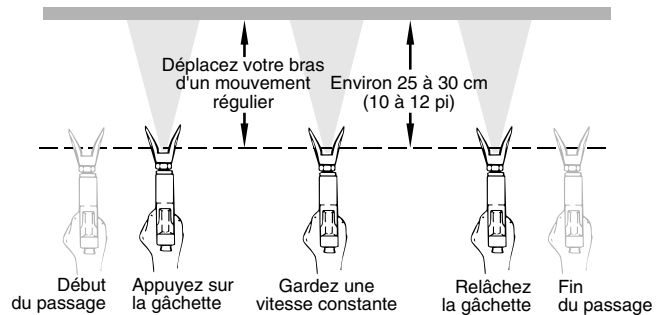
Ne pas fléchir le poignet durant la pulvérisation.

Veillez à garder le pistolet perpendiculaire à la surface traitée afin d'éviter qu'une extrémité de chaque passage soit plus épaisse que l'autre.



Appuyez sur la gâchette au début et à la fin de chaque passage. Vous éviterez ainsi de gaspiller de la peinture ou d'avoir une accumulation de peinture à l'extrémité du passage. Ne jouez pas avec la gâchette durant le passage afin d'éviter un fini irrégulier ou des éclaboussures.

## Comment bien utiliser la gâchette du pistolet



Chevauchez chaque passage d'environ 30% afin d'obtenir un fini régulier.

Lorsque vous vous arrêtez, verrouillez le loquet de sécurité du pistolet, tournez le bouton de commande de la pression à fond dans le sens contraire des aiguilles d'une montre jusqu'à la position minimale et placez le bouton AMORÇAGE/PULVÉRISATION en position AMORÇAGE. Placez le commutateur du moteur en position ARRÊT (OFF) et débranchez le pulvérisateur.

## Utilisation

1. Vérifiez que le flexible d'alimentation en peinture ne soit pas plié ou proche d'objets tranchants.
2. Tournez le bouton de commande de la pression à fond dans le sens contraire des aiguilles d'une montre jusqu'à la position minimale.
3. Placez le bouton AMORÇAGE/PULVÉRISATION en position PULVÉRISATION.
4. Tournez le bouton de réglage de la pression à fond dans le sens des aiguilles d'une montre jusqu'à la position maximale. Le flexible d'alimentation en peinture doit se raidir lorsque la peinture commence à y circuler.
5. Déverrouillez le loquet de sécurité du pistolet.
6. Appuyez sur la gâchette afin de purger l'air emprisonné dans le flexible.
7. Lorsque la peinture a atteint la tête de pulvérisation, faites un essai de pulvérisation afin de vérifier la bonne répartition du produit.
8. Utilisez la pression la plus basse possible pour l'obtention d'une bonne répartition. Si la pression est trop élevée, la couche de produit sera trop fine. Si la pression est trop faible, la pulvérisation risque d'être irrégulière et des traînées ou éclaboussures risquent d'apparaître.



## Nettoyage

### ⚠ AVERTISSEMENT

**Instructions de nettoyage spéciales si des solvants inflammables sont utilisés :**

- Toujours rincer le pistolet pulvérisateur préférablement dehors et au moins une longueur de tubulure partir de la pompe de pulvérisation.
- Si l'on prévoit récolter les solvants issus du rinçage dans un récipient en métal de 4 litres (1 gallon US), placer ce dernier dans un récipient vide de 20 litres (5 gallons US) avant d'effectuer le rinçage des solvants.
- Il ne doit y avoir aucune vapeur de produits inflammables proximité.
- Suivre toutes les instructions de nettoyage.

### ⚠ ATTENTION

**La pompe, le flexible et le pistolet doivent être quotidiennement nettoyés avec soin après chaque utilisation. Faute de quoi, le produit risque de sécher et de diminuer grandement le rendement de l'appareil.**



## AVERTISSEMENT

**TOUJOURS pulvériser à la pression minimale et en ayant eu soin de retirer la tête de pulvérisation lorsque vous utilisez de l'essence minérale ou tout autre solvant pour nettoyer la pompe, le flexible ou le pistolet. Ceci afin d'éviter une accumulation d'électricité statique qui risquerait de déclencher un incendie ou une explosion en présence de vapeurs inflammables.**

### Purge de l'appareil

Purgez quotidiennement l'appareil après utilisation avec le solvant approprié au produit utilisé. L'appareil doit être ensuite de nouveau purgé avec de l'essence minérale.

Pour un remisage à long terme, purgez l'appareil avec une huile appropriée avant de le remiser.

1. Suivez la procédure de décompression décrite précédemment dans ce manuel.

2. Placez le bouton AMORÇAGE/PULVÉRISATION en position PULVÉRISATION afin de purger toute pression restant dans la pompe.

3. Retirez la tête de pulvérisation et nettoyez-la avec le solvant approprié au produit que vous venez de pulvériser.

4. Retirez le pot de produit et remplacez-le par un pot du solvant approprié au produit que vous venez de pulvériser.

5. Vérifiez que le bouton de réglage de la pression est bien tourné à fond dans le sens contraire des aiguilles d'une montre jusqu'à sa position minimale.

6. Placez le commutateur du moteur en position MARCHÉ (ON).

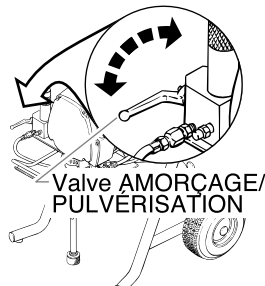
7. Appuyez sur la gâchette du pistolet de pulvérisation en direction d'un récipient de récupération jusqu'à ce que le solvant sorte du pistolet et que celui-ci ainsi que la pompe et le flexible soient propres.

8. Suivez la procédure de décompression décrite précédemment dans ce manuel.

9. Assurez-vous que le commutateur du moteur soit bien en position ARRÊT (off).

10. Placez le bouton AMORÇAGE/PULVÉRISATION en position PULVÉRISATION afin de purger tout solvant restant dans la pompe.

11. Débranchez l'appareil et remisez-le dans un endroit propre et sec.



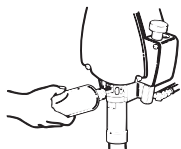
## Entretien

### Entretien quotidien

Effectuer les opérations suivantes chaque jour.

#### Ajout d'huile dans les graisseurs à écrou de garniture

Chaque jour, avant de commencer la pulvérisation, vaporiser un lubrifiant, par exemple de l'huile hydraulique, dans les rainures dans le corps supérieur de la pompe. L'huile de graissage domestique et l'huile de cuisson sont de bons équivalents lorsque l'huile hydraulique fait défaut.



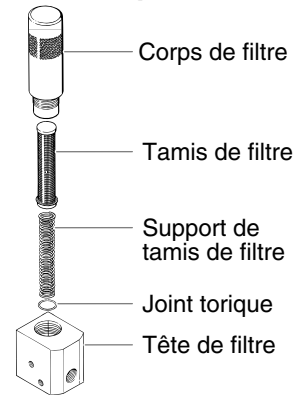
**NOTA : Ne pas appliquer trop d'huile, l'excédent pouvant se déverser dans la peinture.**

Ce lubrifiant maintient la souplesse des joints de piston, ce qui minimise les fuites de peinture et l'usure du piston. Lorsque l'appareil fonctionne plusieurs heures par jour, lubrifier environ toutes les 4 heures.

### Nettoyage de la grille du filtre haute pression

Le filtre haute pression s'encrasse et doit être nettoyé au moins une fois par jour.

1. Tourner le corps du filtre en sens antihoraire pour le retirer de la tête de filtre.
2. Retirer le tamis de filtre et le laver à fond à l'aide du solvant qui convient. Au besoin, nettoyer le tamis de filtre à l'aide d'une brosse à soies de fibres.



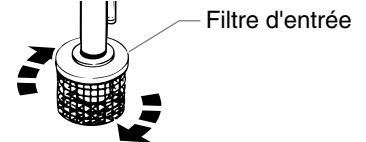
## ATTENTION

Ne pas se servir d'une brosse métallique. Cela pourrait endommager le tamis de filtre.

**NOTA : Pour l'application de bouche-pores, de mastics ou d'autres matériaux semblables, ne pas utiliser le filtre.**

### Nettoyage du tamis d'alimentation

1. Retirez le tamis d'alimentation et nettoyez-le avec le solvant approprié au produit utilisé.



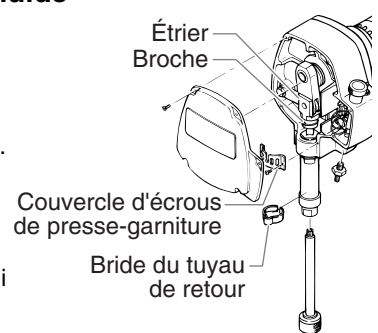
### Remplacement des garnitures de la section fluide

Le remplacement des garnitures de la section fluide comprend le remplacement des garnitures d'étanchéité ainsi que de toutes les pièces de la soupape présentant des signes d'usure.

**NOTA: Si certaines pièces sont difficiles à démonter, les faire tremper dans un solvant approprié pour ramollir la peinture.**

#### Retrait de la section fluide

1. Dévisser l'ensemble tube siphon de l'ensemble section fluide.
2. Dévisser le boyau de l'ensemble section fluide.
3. Retirer la bride du boyau de retour et l'éloigner de l'ensemble section fluide.
4. Dévisser les cinq vis qui fixent le capot avant au boîtier de pompe et le retirer.



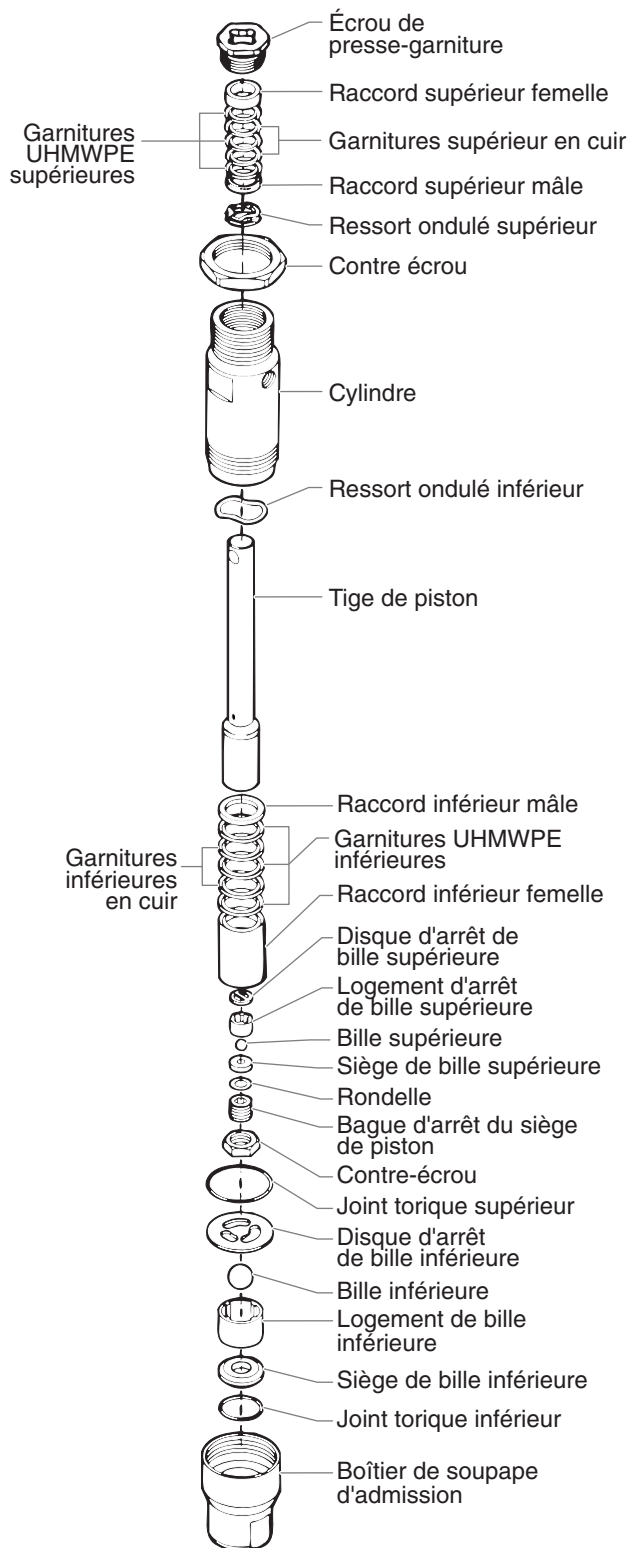
5. Dévisser les deux vis qui fixent le couvercle des écrous de presse-garniture au boîtier de pompe et retirer le couvercle.
6. Faire tourner avec précautions la pompe par petits coups jusqu'à ce que la broche de liaison se trouve en face de la zone en retrait du boîtier de pompe.
7. Débrancher le cordon d'alimentation de la pompe.
8. Pousser la broche de liaison hors de la tige et de l'étrier de piston. Utiliser le côté court d'une clé six pans si nécessaire.
9. Desserrer le contre-écrou sur le dessus de l'ensemble section fluide.
10. Dévisser l'ensemble section fluide de la pompe.

## ATTENTION

Ne pas faire tourner la pompe si l'ensemble section fluide est retiré.

### Démontage de la section fluide

#### Démontage du boîtier de la soupape d'admission



1. Mettre les pans de manœuvre de la soupape d'admission dans un étau. Serrer l'étau.
2. Dévisser le cylindre du boîtier de soupape d'admission dans le sens anti-horaire. Mettre le cylindre de côté.

3. Retirer et inspecter le joint torique supérieur. S'il est endommagé, le remplacer au remontage.
4. Retirer le boîtier de soupape d'admission de l'étau. En tapotant, retirer le disque d'arrêt de la bille inférieure, le logement de bille inférieure et la bille.
5. Retirer le siège de bille inférieur. Inspecter siège de bille inférieure et la bille. Si le siège est usé ou endommagé, il peut être retourné du côté inutilisé au remontage. La bille inférieure doit être remplacée si elle est en mauvais état ou si le siège de bille a déjà été inversé.
6. Retirer le joint torique inférieur du support de soupape d'admission.

#### Démontage du cylindre et de la tige de piston.

1. Placer les pans de manœuvre du cylindre dans un étau. Serrer l'étau.

## ATTENTION

Ne pas trop serrer l'étau. Ceci risquerait d'endommager le cylindre.

2. Retirer l'écrou de presse-garniture.
3. A l'aide d'un maillet en caoutchouc, tapoter doucement l'ensemble tige du piston pour le sortir du bas du piston.

## ATTENTION

Prendre garde à ne pas faire tomber le piston ce qui risquerait de l'endommager.

4. Retirer du cylindre les garnitures inférieures en cuir et UHMWPE et le raccord femelle inférieur s'ils ne sont pas sortis avec la tige de piston.
5. Retirer le raccord mâle et le ressort ondulé inférieurs.
6. Retirer les garnitures supérieures en cuir et UHMWPE, le raccord supérieur femelle, le raccord supérieur mâle et le ressort ondulé supérieur.
7. Insérer la broche de connexion dans l'orifice de la tige de piston. Bloquer la broche dans les mâchoires d'un étau de façon à ce que la tige de piston soit maintenue verticalement.

## ATTENTION

Ne pas mettre la tige de piston elle-même dans l'étau. Les mâchoires de l'étau risquent de l'endommager.

8. Retirer le contre-écrou.
9. Retirer la bague d'arrêt avec une clé six pans de 5/16".
10. Retirer l'ensemble tige de piston de l'étau.
11. Retirer la rondelle, le siège de bille supérieure, la bille supérieure, le logement de bille supérieure, et le disque d'arrêt de bille supérieure de la partie basse de l'ensemble de tige de piston.
12. Vérifier que la bille supérieure et le siège de bille supérieure ne sont pas endommagés. Si le siège de bille supérieure est usé ou endommagé, il peut être inversé du côté inutilisé au remontage. La bille supérieure doit être remplacée si elle est en mauvais état ou si le siège a déjà été retourné. La rondelle doit être remplacée.

#### Remontage de la section fluide

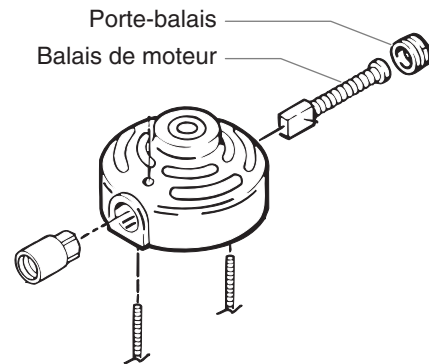
1. Insérer la broche de connexion dans l'orifice de la tige de piston. Bloquer la broche de connexion dans les mâchoires d'un étau de façon à ce que la tige de piston soit maintenue verticalement.
2. Insérer le disque d'arrêt de bille supérieure, le logement de bille supérieure, la nouvelle bille supérieure, le nouveau siège de bille supérieure, et la nouvelle rondelle dans l'ensemble de piston.
3. Placer une rondelle de blocage amovible sur la bague d'arrêt du siège de piston et insérer la bague d'arrêt de siège dans l'ensemble de tige de piston. Serrer la bague d'arrêt de siège (couple : 28 Nm (250 in/lbs)).

4. Placer une rondelle de blocage amovible sur le contre-écrou. Serrer le contre-écrou sur la bague d'arrêt du siège de piston. (Couple : 22 Nm (200 in/lbs))
5. Retirer l'ensemble de tige de piston de l'étau.
6. Placer les pans de manœuvre du cylindre dans l'étau. Serrer l'étau.
7. Faire tremper les nouvelles garnitures supérieures en cuir dans de l'huile de lin pour 5 minutes. Ne pas les détremper.
8. Insérer dans le cylindre le nouveau ressort ondulé inférieur et le nouveau raccord mâle inférieur.
9. Retirer de l'huile les nouvelles garnitures inférieures en cuir. Installer les nouvelles garnitures inférieures en cuir en alternance avec les nouvelles garnitures inférieures UHMWPE.
10. Insérer le nouveau raccord inférieur femelle.
11. Introduire le nouvel ensemble tige de piston dans bas du cylindre. Une certaine force peut être nécessaire pour pousser la tige de piston à travers les garnitures inférieures.
12. Placer le nouveau joint torique inférieur, le nouveau siège de bille inférieure, le nouveau logement de bille inférieure, la nouvelle bille inférieure, et le nouveau disque d'arrêt de bille inférieure dans le support de soupape d'admission.
13. Mettre de l'anti-grippant sur les filetages inférieurs du cylindre.
14. Placer le joint torique supérieur dans le cylindre.
15. Desserrer l'étau et basculer l'ensemble cylindre à 45 degrés. Resserrer l'étau.
16. Serrer le support de soupape d'admission sur le cylindre jusqu'à ce que le cylindre touche le fond du support de soupape d'admission. Veiller à utiliser les pans de manœuvre sur le support de soupape d'admission pour serrer à fond (couple : 55 Nm (40 ft./lbs)).
17. Faire tremper les nouvelles garnitures supérieures en cuir dans de l'huile de lin pour 5 minutes. Ne pas les détremper.
18. Insérer le nouveau ressort ondulé supérieur et le nouveau raccord mâle supérieur.
19. Retirer de l'huile les nouvelles garnitures supérieures en cuir. Installer les nouvelles garnitures supérieures en cuir en alternance avec les nouvelles garnitures supérieures UHMWPE. (Un outil peut être nécessaire pour comprimer les garnitures, N° de pièce SprayTECH #06009).
20. Insérer le nouveau raccord supérieur femelle.
21. Installer l'écrou de presse-garniture et serrer jusqu'à ce que l'écrou touche le fond du cylindre (couple : 35 Nm (25 ft./lbs)). Ne pas trop serrer.
22. Installer le contre-écrou sur les filetages supérieurs du cylindre et tourner le contre-écrou jusqu'à ce qu'il touche le fond des filetages du cylindre.
23. Mettre de l'anti-grippant sur les filetages supérieurs du cylindre.
24. Retirer de l'étau la section fluide ainsi regarnie et l'installer dans le boîtier de la pompe. La tige de piston va s'aligner toute seule sur la bride.
25. Tourner légèrement la section fluide pour aligner l'orifice de la bride sur l'orifice de l'ensemble piston. Insérer la broche de connexion.
26. Replacer la bague d'arrêt à ressort.
27. Visser la section fluide à fond dans le boîtier de pompe, puis desserrer de trois quarts de tour pour aligner le coude de sortie sur le boyau.
28. Tourner le contre-écrou dans le sens horaire jusqu'à ce qu'il soit serré contre le boîtier de pompe.

## Remplacement des balais du moteur

Les balais doivent être inspectés régulièrement pour garantir un fonctionnement continu. Leur durée de vie dépend à la fois de la vitesse et de la charge.

Si l'un des balais mesure moins de 0,65 cm (1/4") ou est usé irrégulièrement ou écaillé, remplacer les deux balais du moteur. Il est aussi conseillé de vérifier les balais lors du changement des garnitures.



### ⚠ AVERTISSEMENT

**Ne jamais faire marcher la pompe avec le capot avant retiré.**

1. Déconnecter le cordon électrique de l'alimentation.
2. Retirer les 4 vis de montage du carter du moteur et retirer le carter.
3. Dévisser et retirer les porte-balais qui maintiennent les balais en place.
4. Retirer les balais.
5. Remplacer avec de nouveaux balais.
6. Replacer les porte-balais.
7. Replacer le carter du moteur et les vis.

## Nettoyage de la tête de pulvérisation

1. Purgez le pistolet avec du solvant dès votre travail terminé.
2. Huilez les goupilles cylindriques afin d'éviter qu'elles ne se grippent.

Si l'embout de pulvérisation est bouché, inverser la position du cône de pulvérisation au moyen du levier et tirer la détente. Une fois l'embout dégagé, relâcher la détente, remettre le cône à la position initiale et continuer à pulvériser.



### ⚠ AVERTISSEMENT

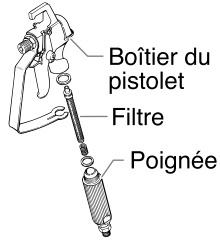
**Ne pas essayer de nettoyer la tête avec vos doigts. Ne pas utiliser aiguille ou tout autre objet pointu pour nettoyer la tête qui, faite de carbure de tungstène, est fragile et risque de s'effriter.**

## Nettoyage du filtre

Nettoyez le filtre avec une brosse trempée dans du solvant. N'utilisez jamais un instrument pointu pour nettoyer le filtre.

## Changement de filtre

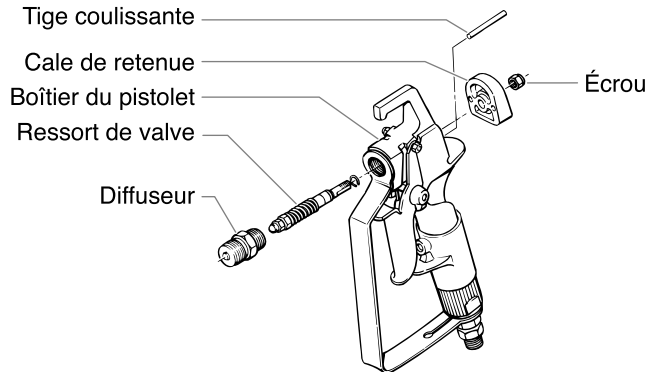
1. Tirez la protection de la gâchette vers l'avant afin de la détacher de la poignée.
2. Dévissez la poignée du boîtier et retirez le filtre usagé.
3. Faites glisser le nouveau filtre, bout pointu en premier, dans le boîtier du pistolet.
4. Remplacez la poignée, la rondelle et le ressort. Revissez, en la serrant bien à la main, la poignée dans le boîtier. Remplacez la protection de la gâchette.



## Remplacement du ressort de valve

**NOTA : Remplacez le joint si le pistolet ne fonctionne plus. Remplacez les goupilles coulissantes si celles-ci sont usées.**

1. Dévisser l'embout.
2. Verrouiller le pistolet en position MARCHE et retirer le diffuseur au moyen d'une clé.
3. Déverrouiller le pistolet.
4. Dévisser l'écrou au moyen d'une clé et retirer le dispositif de retenue.
5. Enlever les tiges coulissantes avec soin et les entreposer dans un endroit sûr afin d'éviter de les perdre.
6. Ramener le ressort de soupape situé à l'arrière du dispositif de retenue vers l'avant au moyen d'un marteau en bois ou d'un outil semblable afin d'éviter d'endommager le ressort.



## Accessoires

### N° de pièce Description

0297xxx	Ensemble de tête RC
0502xxx	Le noyau de remplacement, tête RC
0297078	Protecteur de tête, tête RC (11/16")
0297070	Protecteur de tête, tête RC (7/8")
0291004	Flexible, bout libre, 0,91 m (3 pi) x 0,48 cm (3/16 po)
0291003	Flexible, bout libre, 1,52 m (5 pi) x 0,48 cm (3/16 po)
0291002	Flexible, sans fil, 7,6 m (25 pi) x 0,64 cm (1/4 po)
0291000	Flexible, sans fil, 15,2 m (50 pi) x 0,64 cm (1/4 po)
0093896	Raccord de flexible, 0,64 cm (1/4 po) x 0,64 cm (1/4 po M)
0088154	Manomètre
0152001	Accessoire de pistolet, rouleau électrique
0152308	Manchon, 23 cm (9 po), 0,95 cm (3/8 po) Grain
0152307	Manchon, 23 cm (9 po), 1,27 cm (1/2 po) Grain
0152309	Manchon, 23 cm (9 po), 1,91 cm (3/4 po) Grain
0152310	Manchon, 23 cm (9 po), 3,18 cm (1-1/4 po) Grain
0152235	Manchon, 30 cm (12 po), 1,27 cm (1/2 po) Grain
0152236	Manchon, 30 cm (12 po), 0,95 cm (3/8 po) Grain
0152237	Manchon, 30 cm (12 po), 1,91 cm (3/4 po) Grain
0152238	Manchon, 30 cm (12 po), 3,18 cm (1-1/4 po) Grain
0152700	Adaptateur, rallonge du rouleau électrique
0270145	Pistolet à dépression G-10 de type « à quatre doigts » (pas d'embout)
0093930	Antigrappant
0152909	Rouleau télescopique R-10, 23 cm (9 po), 0,95 cm (3/8 po) Grain
0152900	Rouleau télescopique R-10, 30 cm (12 po), 0,95 cm (3/8 po) Grain
0502007	G-10 Pistolet à dépression à quatre doigts avec embout réversible 517.
0502011	G-10 Pistolet à dépression à deux doigts (sans embout))
0502009	G-10 Pistolet à dépression à deux doigts avec embout réversible 517.
0270214	G-10 Pack de pulvérisation à quatre doigts avec boyau airless de 50" x 1/4" [1,27 m x 6 mm]
0502012	G-10 Pack de pulvérisation à deux doigts avec boyau airless de 50" x 1/4" [1,27 m x 6 mm]

## Choix du filtre approprié pour le pistolet de pulvérisation

Choisissez le filtre approprié en fonction du type de produit utilisé en vous reportant au tableau ci-dessous.

N° de pièce	Utilisation	Type de filtre	No de maille	Couleur du corps du filtre
0089960	Résine synthétique, émaux, vernis clair, teintures, azurs	Extra-fin	0,084 mm	rouge
0089959	Émaux de base, émaux primaires, bouche-pores, peintures à marquer, émaux texturés	Fin	0,140 mm	jaune
0089958	Émulsions, peintures au latex, peintures acryliques	Moyen	0,315 mm	blanc
0089957	Peintures garnissantes, grandes surfaces	Grossier	0,560 mm	vert

# En case de problème

## Problème

L'appareil ne démarre pas.

## Cause

1. Fusible brûlé ou disjoncteur déclenché.
2. L'appareil n'est pas branché.
3. Le bouton de réglage de la pression est ajusté trop bas.
4. Cordon d'alimentation électrique défectueux ou mal fixé.
5. Les balais du moteur sont usés.
6. Mauvais fonctionnement du fusible du commutateur marche/arrêt.

## Solution

1. Vérifiez, remplacez ou réenclenchez-le.
2. Branchez l'appareil.
3. Tournez le bouton dans le sens des aiguilles d'une montre pour augmenter la pression.
4. Vérifiez-le et apportez l'appareil à un centre d'entretien agréé SprayTECH.
5. Apportez l'appareil à un centre d'entretien agréé SprayTECH.
6. Apportez l'appareil à un centre d'entretien agréé SprayTECH.

Impossible d'amorcer l'appareil.

1. Les joints du piston sont desséchés.
2. Le tamis d'admission de la pompe est obstrué.
3. Il y a de l'air dans la pompe ou dans le flexible.
4. Les joints sont usés.
5. Le liquide est trop visqueux.

1. Retirez le tube siphon et vérifiez que la boule inférieure est libre de se mouvoir dans son logement. Versez une tasse pleine de diluant à peinture sur l'extrémité du compartiment à liquide et mettez la pompe en marche.
2. Retirez et nettoyez le tamis.
3. Appuyez sur la gâchette pendant une dizaine de secondes afin de purger l'air.
4. Remplacez les joints.
5. Amorcez la pompe avec un solvant approprié au produit utilisé. Enlevez avec précaution la pompe du pot de solvant et plongez le tube siphon dans le produit épais devant être pulvérisé. Après avoir retiré la tête de pulvérisation, appuyez sur la gâchette jusqu'à ce que le produit épais sorte du pistolet. Replacez la tête de pulvérisation.
6. Retirez et nettoyez le tube siphon.
7. Vérifiez le branchement et les joints.

L'appareil ne se met pas, ou ne reste pas, sous pression.

1. Le bouton de réglage de la pression est mal ajusté.
2. Le tamis d'admission de la pompe est sale.
3. Les boules ou joints de la valve d'amorçage/pulvérisation sont usés ou sales.
4. Il y a de l'air dans la pompe ou dans le flexible.
5. Les joints sont usés.
6. La tête de pulvérisation est usée.
7. Il y a une fuite interne.

1. Tournez le bouton de réglage de la pression dans le sens des aiguilles d'une montre pour augmenter la pression.
2. Retirez et nettoyez le tamis d'admission.
3. Remplacez ou nettoyez-les.
4. Appuyez sur la gâchette pendant une dizaine de secondes afin de purger l'air.
5. Remplacez les joints.
6. Remplacez la tête de pulvérisation en suivant les instructions fournies avec le pistolet.
7. Sans appuyer sur la gâchette du pistolet, laissez l'appareil augmenter la pression et coupez la pompe si la pompe commence à démarrer. Dans ce cas, une fuite interne s'est produite et il est nécessaire de réétanchéifier le compartiment à liquide.
8. Vérifiez l'existence de fuite externe telle qu'une fuite du raccord hydraulique du boîtier de contrôle de la pression.
9. Reportez-vous aux recommandations du fabricant sur le pot du produit.
10. Remplacez la tête de pulvérisation en suivant les instructions fournies avec le pistolet.

Du liquide s'échappe de l'extrémité supérieure du compartiment à liquide.

1. Les joints supérieurs sont usés.
2. La tige du piston est usée.

1. Décompressez et resserrez l'écrou de serrage du joint ou remplacez le joint.
2. Remplacez la tige du piston.

Mauvaise répartition de la pulvérisation.

1. La tête de pulvérisation est trop grosse pour le produit utilisé.
2. La pression est mal réglée.
3. L'alimentation en liquide est insuffisante.
4. Le liquide est trop visqueux.

1. Remplacez-la par une tête plus petite.
2. Ajustez le bouton de réglage de pression.
3. Nettoyez tous les tamis et les filtres.
4. Ajoutez du solvant en suivant les recommandations du fabricant.

L'appareil manque de puissance.

1. Le réglage de la pression est trop faible.
2. La tension du secteur est trop faible.

1. Augmentez la pression.
2. Réglez la tension d'alimentation sur 120 V c.a.

Les fusibles de la pompe ont sauté.

1. La pression est trop élevée.
2. Un disjoncteur s'est déclenché.
3. La boîte de vitesse, la transmission ou le moteur ont cassé.

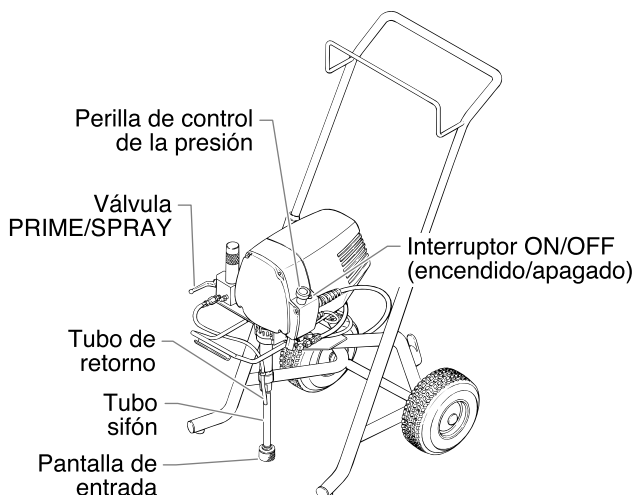
1. Apportez l'appareil à un centre d'entretien agréé SprayTECH.
2. Apportez l'appareil à un centre d'entretien agréé SprayTECH.
3. Réparez ou remplacez les éléments défectueux.

# Índice

Descripción general	22
Seguridad	22
Instrucciones para conectar a tierra	23
Selección de la extensión	24
Operación	24
Para purgar y cebar	24
Para hacer funcionar la pistola de atomización	25
Procedimiento para liberar la presión	25
Para atomizar	26
Técnica para atomizar	26
Práctica	26
Limpieza	26
Para enjuagar la unidad	27
Mantenimiento	27
Mantenimiento diario	27
Re-empacando la Sección de Fluidos	27
Cambio del Cepillo del Motor	29
Para limpiar la boquilla de atomización	29
Para limpiar el filtro	29
Para reemplazar la unidad de resorte de la válvula	30
Accesorios	30
Para escoger el filtro de pistola de atomización correcto	30
Detección de problemas	31
Lista de piezas	32
Conjunto del principal/Carro	32
Conjunto del Carro	33
Conjunto del principal/Cama Baja (Low Boy)	34
Conjunto del carro de Cama Baja (Low Boy)	35
Conjunto del impulsor	36
Conjunto del control de la presión	38
Conjunto del transductor	39
Conjunto del Motor	40
Conjunto de la sección de fluido	41
Conjunto de la Válvula Filtro/CEBAR/PINTAR	42
Cartucho de la Válvula CEBAR/PINTAR	43
Conjunto del equipo de succión	43
Garantía Limitada	46

## Descripción general

Esta bomba de pistón de alta calidad es una herramienta eléctrica de precisión que se usa para atomizar muchos tipos de material. Lea y siga con atención este manual de instrucción para conocer las instrucciones de operación y la información sobre mantenimiento y de seguridad apropiadas.



## Seguridad

Este manual contiene información que debe leer y comprender antes de usar el equipo. Cuando se encuentre con uno de los siguientes símbolos, asegúrese de observar sus indicaciones de seguridad.

### ⚠ ADVERTENCIA

Este símbolo indica la existencia de un peligro potencial que puede causar lesiones graves o la muerte. Después del mismo se incluye información de seguridad importante.

### ⚠ PRECAUCIÓN

Este símbolo indica la existencia de un peligro potencial para usted o el equipo. Después del mismo se incluye información importante que indica la forma de evitar daños al equipo o la forma de prevenir lesiones menores.

**NOTA: los avisos contienen información importante, préstelos especial atención.**

### ⚠ ADVERTENCIA

**PELIGRO: LESIÓN POR INYECCIÓN - La corriente de pintura de alta presión que produce este equipo puede perforar la piel y tejidos subyacentes, lo que conduciría a lesiones serias y una posible amputación. Consulte de inmediato a un médico.**

**NO TRATE LAS LESIONES POR INYECCIÓN COMO SI FUERAN SIMPLES CORTADAS! Una inyección puede conducir a una amputación. Consulte de inmediato a un médico.**

**El rango de operación máximo de la unidad es 3000 PSI / 207BAR de presión de fluidos.**

#### PARA PREVENIR:

- NO dirija NUNCA la punta de la pistola hacia alguna parte del cuerpo.
- NO permita NUNCA que alguna parte del cuerpo tenga contacto con la corriente del fluido. EVITE tener contacto con corrientes de fluido que salgan de fugas que haya en la manguera.
- NO ponga NUNCA la mano enfrente de la manguera. Los guantes no ofrecen ninguna protección contra lesiones por inyección.
- Bloquee SIEMPRE el gatillo de la pistola, apague la bomba de fluido y libere toda la presión antes de dar mantenimiento, limpiar el protector de la boquilla, cambiar la boquilla o dejar desatendido el equipo. La presión no se liberará al apagar el motor. Para liberar la presión debe girarse la perilla PRIME/SPRAY (cebar/atomizar) hasta la posición PRIME. Consulte el PROCEDIMIENTO PARA LIBERAR LA PRESIÓN que se describe en este manual.
- Mantenga puesto SIEMPRE el protector de la boquilla mientras atomice. El protector de la boquilla ofrece cierta protección contra lesiones por inyección pero es principalmente un dispositivo de advertencia.
- Quite SIEMPRE la boquilla del atomizador antes de enjuagar o limpiar el sistema.
- Pueden desarrollarse fugas en la manguera de pintura por causa del desgaste, retorcimientos o el abuso. Una fuga es capaz de inyectar el material en la piel. Cada vez que use la manguera de pintura, inspecciónela antes.
- NO use nunca una pistola de atomización que no tenga un bloqueador o un protector de gatillo puesto y que funcione.
- Todos los accesorios deben tener una capacidad de 3000 lb/pulg<sup>2</sup> / 207BAR o mayor. Esto incluye las boquillas de atomizador, pistolas, extensiones y mangueras.

**NOTA PARA EL MÉDICO:** La inyección dentro de la piel es una lesión traumática. Es importante que la lesión se trate quirúrgicamente tan pronto como sea posible. **NO retrase el tratamiento por investigar la toxicidad. La toxicidad es motivo de preocupación con algunos revestimientos que se inyectan directamente en la corriente sanguínea. Es recomendable consultar a un cirujano plástico o reconstructor de manos.**

**PELIGRO: EXPLOSIÓN O INCENDIO - Los vapores de solventes y pintura pueden explotar o incendiarse, causando con esto lesiones severas y/o daños en la propiedad.**

**PARA PREVENIR:**

- Debe proveerse un escape y aire fresco para hacer que el aire que está dentro del área de atomización se mantenga libre de acumulaciones de vapores inflamables.
- Evite todas las fuentes de ignición como son las chispas electrostáticas, llamas abiertas, flamas de piloto, objetos calientes, cigarros, y chispas que se generan al conectar y desconectar las extensiones o de apagadores de luz que estén funcionando.
- No fume en la zona de trabajo.
- Debe haber un equipo para extinguir incendios permanentemente y en buenas condiciones.
- Coloque la bomba para pintar a un mínimo de 1 m (de preferencia más) en una habitación aparte, bien ventilada, alejada del objeto que va a pintar o a por lo menos 6 m de dicho objeto, en una zona bien ventilada (utilice una manguera más larga, si es necesario). Los gases inflamables a menudo son más pesados que el aire. La zona del piso debe tener la debida ventilación. La bomba para pintar contiene piezas que forman arcos que emiten chispas y pueden encender los gases.
- El equipo que se utilice, así como los objetos que estén dentro y alrededor del área de atomización, deben conectarse a tierra de manera apropiada para prevenir las descargas eléctricas y las chispas.
- Use solamente mangueras para fluidos de alta presión, conductoras o conectadas a tierra, para aplicaciones sin aire. Asegúrese de que la pistola esté conectada a tierra de manera apropiada, mediante conexiones de manguera.
- El cable de alimentación debe enchufarse a un circuito aterrado.
- Siempre enjuague la unidad en un recipiente de metal por separado, con presión baja en la bomba y sin la boquilla. Sostenga la pistola firmemente contra el recipiente para ponerlo a tierra y evitar chispas estáticas.
- Siga las advertencias y avisos de seguridad del fabricante de los materiales y solventes.
- Tenga muchísimo cuidado al usar materiales cuyo punto de ignición sea inferior a 70° F (21° C). El punto de ignición es la temperatura a la cual pueden encenderse los vapores emanados por un fluido al exponerlos a llamas o chispas.
- El plástico puede causar chispas estáticas. Nunca cuelgue plástico en las ventanas ni en las puertas del área donde va a pintar. No utilice plástico para proteger el piso cuando pinte materiales inflamables.
- Cuando enjuague el equipo utilice la presión más baja posible.

**MOTOR DE GAS (SEGÚN CORRESPONDA)**

Coloque siempre la bomba fuera del edificio, al aire libre. Mantenga todo solvente alejado del escape del motor. Nunca llene el tanque de combustible si el motor está encendido o caliente. La superficie caliente puede encender el combustible derramado. Conecte siempre un conductor de tierra desde la unidad de la bomba a un objeto puesto a tierra, por ejemplo una tubería de agua metálica. Consulte el manual del motor para obtener información completa de seguridad.

**PELIGRO: PELIGRO DE EXPLOSIÓN DEBIDO A MATERIALES INCOMPATIBLES - Podría causar lesiones severas o daños en la propiedad.**

**PARA PREVENIR:**

- No utilice materiales que contengan blanqueador o cloro.
- No use solventes con hidrocarburos halogenados, tales como productos para eliminar el moho, cloruro de metileno y 1,1,1 - tricloroetano. Estos no son compatibles con el aluminio.
- Comuníquese con el proveedor del producto para obtener información de compatibilidad con materiales de aluminio.

**PELIGRO: GASES PELIGROSOS - Las pinturas, solventes, insecticidas y otros materiales pueden ser perjudiciales si se inhalan o entran en contacto con el cuerpo. Los gases pueden causar náusea, desmayos o envenenamiento graves.**

**PARA PREVENIR:**

- Use una mascarilla respiratoria o careta siempre que exista la posibilidad de que se puedan inhalar vapores. Lea todas las instrucciones que vengan con la careta para estar seguro de que se tendrá la protección necesaria contra la inhalación de vapores dañinos.
- Use gafas protectoras.
- Use ropa de protección, según lo requiera el fabricante del producto.

**PELIGRO: GENERAL - Puede causar daños en la propiedad o lesiones severas.**

**PARA PREVENIR:**

- Lea todas las instrucciones y advertencias de seguridad antes de hacer funcionar cualquier equipo.
- Desconecte siempre el motor del suministro eléctrico antes de dar servicio al equipo.
- Observe todos los códigos locales, estatales y nacionales apropiados que rigen las medidas de ventilación, prevención de incendios y operación.
- Los Estándares de Seguridad del Gobierno de los Estados Unidos se han adoptado bajo el Acta de Seguridad y Salud Ocupacionales (OSHA por sus siglas en inglés). Deben consultarse estos estándares, particularmente la parte 1910 de los Estándares Generales y la parte 1926 de los Estándares de la Construcción.
- Utilice únicamente piezas autorizadas por el fabricante. El usuario asume todos los riesgos y responsabilidades si usa piezas que no cumplen con las especificaciones mínimas y dispositivos de seguridad del fabricante de la bomba.
- Antes de usarla cada vez, revise todas las mangueras para ver que no tengan cortadas, fugas, una cubierta desgastada por abrasión o con abolladuras, así como uniones dañadas o que se hayan movido. Si existiera cualquiera de estas condiciones, reemplace la manguera inmediatamente. No repare nunca una manguera de pintura. Reemplácela con otra manguera conectada a tierra.
- Todas las mangueras, soportes giratorios, pistolas y accesorios que se usen con esta unidad deben tener una capacidad de presión de 3000 lb/pulg2 o mayor.
- No atomice en días con viento.
- Use ropa que evite el contacto de la pintura con la piel y el cabello.

## Instrucciones para conectar a tierra

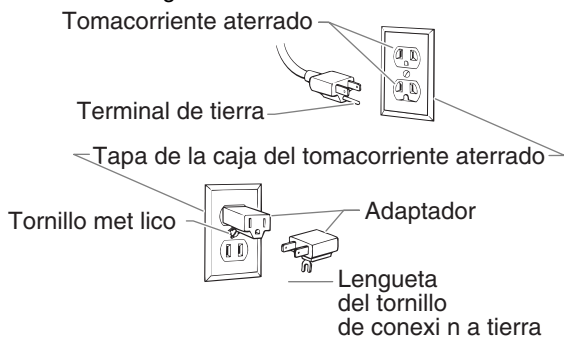
Este producto se debe conectar a tierra. En caso de que ocurra un corto circuito, la conexión a tierra reduce el riesgo de choque eléctrico al proporcionar un alambre de escape para la corriente eléctrica. Este producto está equipado con un cable que tiene un alambre de conexión a tierra con un enchufe de conexión a tierra apropiado. El enchufe se debe enchufar en una toma de corriente que se haya instalado y conectado a tierra debidamente, de acuerdo con todos los códigos y estatutos locales.

**PELIGRO** — Una instalación inapropiada del enchufe de conexión a tierra puede dar como resultado el que exista un riesgo de choque eléctrico. Si es necesario reparar o reemplazar el cable o el enchufe, no conecte el alambre de conexión a tierra a ninguno de los terminales de hoja planas. El alambre con aislamiento que tiene la superficie exterior de color verde con franjas amarillas o sin ellas es el alambre de conexión a tierra que debe conectarse al conector de conexión a tierra.

Verifique con un electricista o técnico de servicio calificado si las instrucciones para conectar a tierra no le han quedado completamente claras, o si duda que el producto haya quedado conectado a tierra de manera apropiada. No modifique el enchufe que se proporciona. Si el enchufe no entra en la toma de corriente, pídale a un electricista calificado que instale la toma apropiada.

Este producto está diseñado para usarse en un circuito de 120 voltios nominales y el enchufe de conexión a tierra que tiene se parece al enchufe que se ilustra a continuación. Si no dispone de una toma de corriente con conexión a tierra, puede usar un adaptador temporal que se asemeja al adaptador ilustrado en la figura a continuación, para conectar este enchufe en un receptáculo de 2 polos como se muestra.

El adaptador temporal solamente se debe utilizar hasta que un electricista calificado instale debidamente una toma de corriente con conexión a tierra. La patilla verde o alambre de conexión a tierra que se extiende desde el adaptador se debe conectar a tierra permanente, tal como la tapa de una caja de distribución conectada a tierra. Cuando use el adaptador, debe mantenerlo en su lugar con un tornillo metálico.



## PRECAUCION

Use solamente extensiones trifilares que tengan un enchufe de conexión a tierra de 3 hojas y un receptáculo de triple ranura que acepte el enchufe del producto. Asegúrese de que su extensión esté en buenas condiciones. Cuando use una extensión, asegúrese de usar una que sea lo suficientemente resistente como para soportar la corriente que descargue su producto. Un cable de un tamaño menor causará una caída de voltaje en la línea que dará como resultado una pérdida de energía y un sobrecalentamiento. Se recomienda usar un cable de calibre 14 ó 12. Si se utiliza un cable de extensión en el exterior, tiene que estar marcado con el sufijo W-A después de la designación del tipo de cable. Por ejemplo, SJTW-A para indicar que el cable es apropiado para uso en exteriores.

**NOTA:** No use una extensión de más de 50 pies. Si necesita pintar a una distancia que esté más allá de 100 pies de su fuente de energía, alargue la manguera de pintura, no la extensión.

## Operación

### Para purgar y cebar

## PRECAUCION

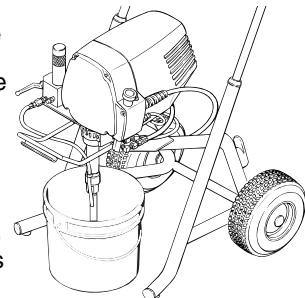
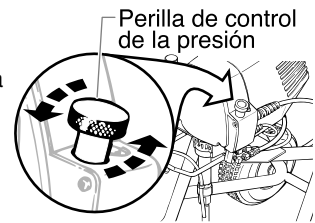
**Mantenga siempre la pistola de atomización bloqueada en la posición OFF (apagada) mientras se purga el sistema**

Si esta unidad es nueva, vendrá entonces empackada con fluido de prueba dentro de la sección de fluido con el fin de prevenir que se corra durante el envío y almacenamiento. Si va a atomizar usando pintura de látex, este fluido deberá extraerse por completo del sistema. Para atomizar usando una pintura a base de solvente, esta extracción a fondo del material no será necesaria.

Si está ya funcionando, necesitará entonces purgarle el agua o solvente que se usó en la limpieza.

### Purgación y cebadura de la bomba para usar pintura de látex

1. Asegure la manguera de retorno dentro de un recipiente para desperdicios.
2. Ponga una cubeta de agua jabonosa debajo del tubo sifón.
3. Gire completamente la perilla de control de la presión en dirección opuesta a las manecillas del reloj para disminuir la presión hasta la posición más baja.
4. Fije la válvula PRIME/SPRAY en la posición PRIME.
5. Gire el interruptor ON/OFF (encendido/apagado) hasta la posición ON (encendido).
6. Gire lentamente la perilla de control de la presión en dirección de las manecillas del reloj para aumentar la presión hasta que empiece a salir fluido de la manguera de retorno. Use sólo la presión que sea suficiente para que siga saliendo fluido.
7. Gire completamente la perilla de control de la presión en dirección opuesta a las manecillas del reloj hasta su posición más baja cuando se extraiga el fluido de prueba y el agua jabonosa esté saliendo de la manguera de retorno.
8. Quite la cubeta con agua jabonosa del tubo sifón y reemplácela con una cubeta de agua limpia.
9. Aumente la presión hasta la mínima necesaria para que siga fluyendo fluido hasta que salga agua limpia de la manguera de retorno.
10. Gire completamente la perilla de control de la presión en dirección opuesta a las manecillas del reloj hasta su posición más baja.
11. Quite la cubeta con agua que está debajo del tubo sifón y reemplácela con un recipiente de pintura de látex.
12. Aumente lentamente la presión hasta que salga pintura a través de la manguera de retorno.
13. Quite la manguera de retorno del recipiente de desperdicios y póngala en posición de operación sobre el recipiente de pintura de látex.
14. Mantenga la pintura circulando a través del sistema hasta que la pintura que salga de la manguera de retorno no tenga burbujas.
15. Gire completamente la perilla de control de la presión en dirección opuesta a las manecillas del reloj hasta su posición más baja.



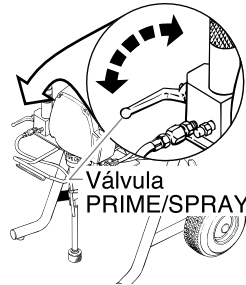
La bomba ha quedado purgada. Pase ahora a la sección **Para purgar y cebar la manguera del atomizador.**



## Purgación y cebadura para usar pintura a base de solvente

No será necesario limpiar perfectamente cuando se use pintura a base de solvente. Todo lo que necesita hacer es extraer el fluido de prueba del sistema.

1. Asegure la manguera de retorno dentro del recipiente de desperdicios.
2. Ponga un recipiente lleno de pintura debajo del tubo sifón.
3. Gire completamente la perilla de control de la presión en dirección opuesta a las manecillas del reloj para disminuir la presión hasta la posición más baja.
4. Fije la válvula PRIME/SPRAY en la posición PRIME.
5. Gire el interruptor ON/OFF hasta la posición ON.
6. Gire lentamente la perilla de control de la presión en dirección de las manecillas del reloj para aumentar la presión hasta que el fluido empiece a salir de la manguera de retorno. Use sólo la presión que sea suficiente para que siga saliendo fluido.
7. Gire completamente la perilla de control de la presión en dirección opuesta a las manecillas del reloj hasta su posición más baja cuando se extraiga el fluido de prueba y esté saliendo pintura de la manguera de retorno.
8. Quite la manguera de retorno del recipiente de desperdicios y póngala en posición de operación sobre el recipiente de pintura de látex.
9. Mantenga la pintura circulando a través del sistema hasta que la pintura que salga de la manguera de retorno no tenga burbujas.
10. Gire completamente la perilla de control de la presión en dirección opuesta a las manecillas del reloj hasta su posición más baja.



La bomba ha quedado purgada. Pase ahora a la sección **Para purgar y cebar la manguera del atomizador.**

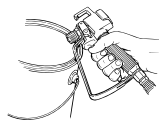
### Para purgar y cebar la manguera del atomizador

Después de que se purgue y cebe la bomba, deberá hacer lo mismo con la manguera del atomizador.

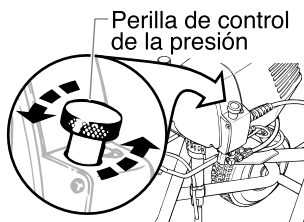
**NOTA: Cerciórese de que la pistola de atomización no tenga instalada una boquilla.**

## ADVERTENCIA

**Si se usa un recipiente de metal, conecte a tierra la pistola sujetándola contra el borde del recipiente mientras la enjuaga. El no hacerlo puede conducir a que surja una descarga electrostática que podría causar un incendio.**



1. Gire completamente la perilla de control de la presión hasta su posición más baja.
2. Fije la válvula PRIME/SPRAY (cebar/atomizar) hasta la posición SPRAY (atomizar).
3. Desbloquee la pistola de atomización.
4. Gire lentamente la perilla de control de la presión en dirección de las manecillas del reloj para aumentar la presión.
5. Dispare la pistola dentro de un recipiente de desperdicios hasta que se haya extraído todo el aire, agua o solvente de la manguera del atomizador y la pintura fluya libremente.



6. Gire completamente la perilla de control de la presión en dirección opuesta a las manecillas del reloj hasta su posición más baja.
7. Fije la válvula PRIME/SPRAY en la posición PRIME y dispare la pistola dentro del recipiente de desperdicios para asegurarse de que la manguera haya quedado libre de presión.
8. Bloquee la pistola de atomización.

## Para hacer funcionar la pistola de atomización

### ADVERTENCIA

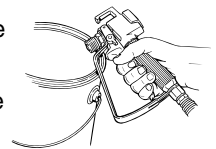
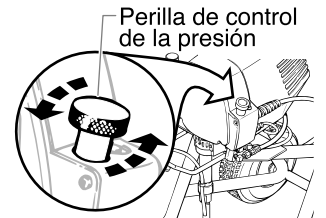
**PELIGRO DE INYECCIÓN PROBABLE. No atomice sin que el protector de la boquilla esté puesto. No dispare nunca la pistola a menos que la boquilla esté en la posición de atomización o en la de desobstrucción. Trabe siempre el interruptor de seguridad de la pistola antes de que quite, reemplace o limpie la boquilla.**

### Procedimiento para liberar la presión

### ADVERTENCIA

**Asegúrese de seguir el procedimiento para liberar la presión cuando apague la unidad por cualquier motivo; incluyendo cuando se de servicio o ajuste cualquier parte del sistema de atomización, se cambien o limpien las boquillas del atomizador o se prepare para la limpieza.**

1. Bloquee la pistola girando el interruptor de seguridad de la pistola hasta la posición de bloqueo.
2. Apague el motor.
3. Gire la perilla de control de la presión en dirección opuesta a las manecillas del reloj hasta su posición más baja.
4. Gire la perilla PRIME/SPRAY hasta la posición PRIME.
5. Desbloquee la pistola girando el interruptor de seguridad de la pistola hasta la posición de desbloqueo.
6. Sostenga firmemente unida la parte de metal de la pistola a la pared del recipiente de metal para conectar a tierra la pistola y evitar la formación de electricidad estática.
7. Dispare la pistola para extraer la presión que pudiera haber todavía en la manguera.
8. Bloquee la pistola girando el interruptor de seguridad de la pistola hasta la posición de bloqueo.



### ADVERTENCIA

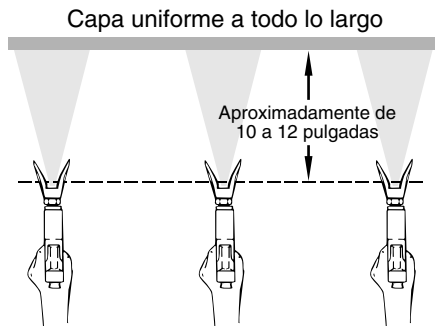
**PELIGRO DE INYECCIÓN PROBABLE. No atomice sin que el protector de la boquilla esté puesto. No dispare nunca la pistola a menos que la boquilla esté en la posición de atomización o en la de desobstrucción. Trabe siempre el interruptor de seguridad de la pistola antes de que quite, reemplace o limpie la boquilla.**

## Para atomizar

**NOTA:** Cuando atomice relleno de bloque, mástiques o revestimientos con alto conenido de sólidos, no utilice el filtro de la pistola ni pantallas de filtro de alta presión.

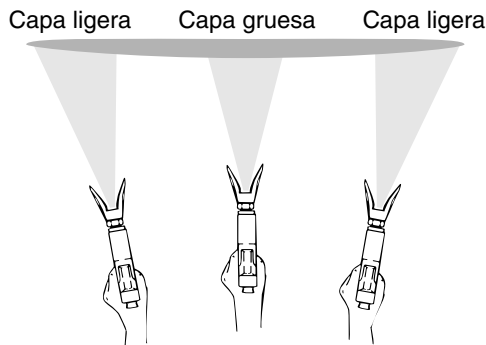
## Técnica para atomizar

La clave para lograr un buen trabajo de pintura consiste en aplicar un revestimiento uniforme a través de toda la superficie. Esto se logra empleando descargas uniformes. Mantenga el brazo moviéndose a una velocidad constante y la pistola de atomización a una distancia de la superficie también constante. La mejor distancia para atomizar es de 10 a 12 pulgadas, entre la boquilla del atomizador y la superficie.



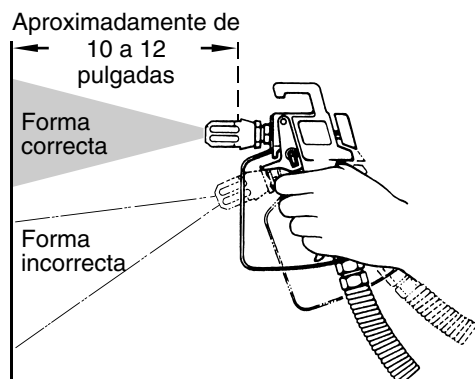
Mantenga una descarga que sea suave y a una velocidad uniforme.

Mantenga la pistola de atomización en ángulo recto con la superficie. Esto significa que debe mover todo el brazo de un lado para otro en lugar de flexionar sólo la muñeca.



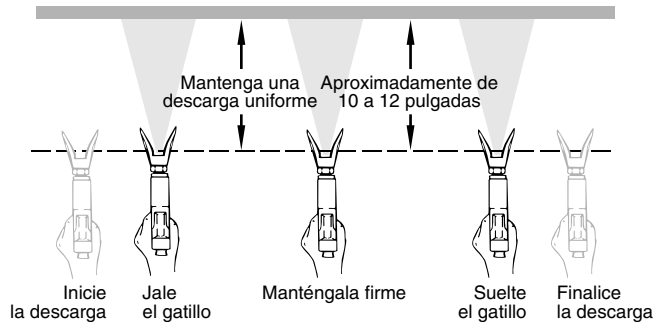
No flexione la muñeca mientras atomice.

Mantenga la pistola de atomización perpendicular a la superficie; de lo contrario un extremo del patrón quedará más grueso que el otro.



La pistola de atomización debe dispararse encendiéndola y apagándola cada vez que se haga una descarga. Con esto se ahorrará pintura y se evitará una acumulación de pintura al final de cada descarga. No dispare la pistola en medio de una descarga. Esto traería como consecuencia que la atomización no fuera uniforme y el recubrimiento tuviera salpicaduras.

## Forma apropiada de disparar la pistola de atomización

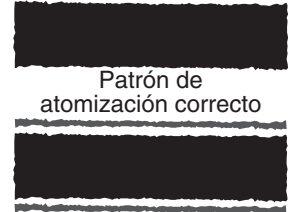


Al efectuar las descargas haga que las capas se traslapen aproximadamente un 30%. Con esto se asegurará un revestimiento uniforme.

Cuando deje de pintar, bloquee el interruptor de seguridad de la pistola, gire la perilla de control de la presión en dirección opuesta a las manecillas del reloj hasta su posición más baja y fije la válvula prime/spray en la posición PRIME. Gire el interruptor del motor hasta la posición OFF y desconecte el atomizador.

## Práctica

1. Asegúrese de que la manguera de pintura no esté retorcida ni cerca de objetos con orillas cortantes filosas.
2. Gire la perilla de control de la presión en dirección opuesta a las manecillas del reloj hasta su posición más baja.
3. Gire la válvula PRIME/SPRAY hasta la posición SPRAY.
4. Gire la perilla de control de la presión hasta su posición más alta. La manguera de pintura debe ponerse rígida en el momento en que la pintura empiece a fluir a través de ella.
5. Desbloquee el interruptor de seguridad de la pistola.
6. Dispare la pistola de atomización para extraer el aire de la manguera.
7. Cuando la pintura llegue a la boquilla del atomizador, atomice un área de prueba para comprobar el patrón de atomización.
8. Use la posición de presión más baja que sea necesaria para obtener un patrón de atomización correcto. Si se fija una presión demasiado alta, el patrón de atomización será muy ligero. Si se fija una presión demasiado baja, aparecerá un patrón de pintura que se desvanece gradualmente o la pintura salpicará como gotas grandes en lugar de salir como una atomización fina.



## Limpieza

### ⚠ ADVERTENCIA

#### Instrucciones especiales de limpieza para usarse con solventes inflamables:

- Enjuague siempre la pistola atomizadora preferentemente afuera y por lo menos a un largo de manguera de distancia de la bomba atomizadora.
- Si está colectando solventes enjuagados en un recipiente metálico de 1 galón (3.875 lts), colóquelos en un recipiente vacío de 5 galones (19.375 lts), luego enjuague los solventes.
- El área debe estar libre de vapores inflamables.
- Siga todas las instrucciones de limpieza.

### ⚠ PRECAUCION

La bomba, manguera y pistola deberán limpiarse perfectamente todos los días después de usarse. El no hacerlo dará lugar a que el material se solidifique, afectando seriamente con esto el funcionamiento de la unidad.

## ADVERTENCIA

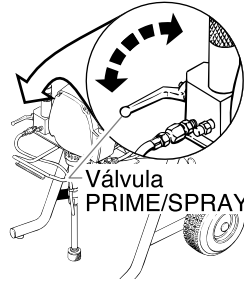
Atomice SIEMPRE a la presión mínima y sin que la boquilla de la pistola esté puesta cuando utilice solventes derivados del petróleo o cualquier otro solvente para limpiar la bomba, manguera o pistola. La electricidad estática acumulada podría ocasionar un incendio o una explosión al haber presentes vapores inflamables.

### Para enjuagar la unidad

Enjuague la unidad con el solvente que sea apropiado para el material que se esté utilizando, todos los días después de usarla. La unidad después debe enjuagarse de nuevo con un solvente derivado del petróleo.

Cuando se almacene la unidad un largo plazo, enjuáguela con el lubricante apropiado antes de almacenarla.

1. Siga el procedimiento para liberar la presión que se encuentra anteriormente en este manual.
2. Gire la válvula prime/spray hasta la posición spray para extraer toda la presión que quede en la bomba.
3. Quite la boquilla de la pistola y límpiela con una solución que sea apropiada para el tipo de material que se esté atomizando.
4. Quite el recipiente del material y reemplácelo por un recipiente de solvente que sea apropiado para el tipo de material que se esté atomizando.
5. Revise la perilla de control de la presión para asegurarse de que se haya girado completamente en dirección opuesta a las manecillas del reloj hasta su posición más baja.
6. Gire el interruptor de la energía hasta la posición on.
7. Dispare la pistola de atomización dentro de un recipiente de desperdicios hasta que salga solvente y la bomba, manguera y pistola queden limpias.
8. Siga el procedimiento para liberar la presión que se encuentra anteriormente en este manual.
9. Cerciórese de que el interruptor de la energía se haya girado hasta la posición off.
10. Gire la válvula prime/spray hasta la posición spray para extraer todo el solvente que quede.
11. Desconecte la unidad y almacénela en un área limpia y seca.



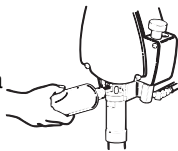
## Mantenimiento

### Mantenimiento diario

Efectúe los siguientes pasos todos los días.

### Cómo llenar de aceite los depósitos de las tuerkas de presión

Todos los días, antes de comenzar a pulverizar, aplique algún lubricante (como aceite hidráulico) en las ranuras de la cubierta superior de la bomba. Si no tiene aceite hidráulico, puede utilizar aceite de uso doméstico o aceite para cocinar.



**NOTA: No aplique demasiado aceite, ya que éste podría rebosar y gotear sobre la pintura.**

Este lubricante mantiene la elasticidad de los sellos del émbolo, minimizando fugas de pintura y desgaste del émbolo. Si utiliza la unidad durante varias horas todos los días, lubríquela aproximadamente cada 4 horas.

### Limpeza del cedazo de alta presión

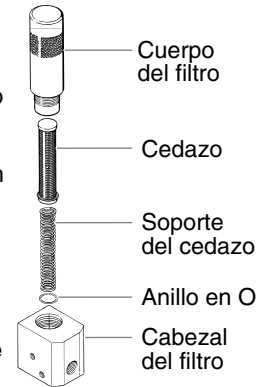
El filtro de alta presión tiende a obstruirse y debe limpiarse al menos una vez por día.

1. Gire el cuerpo del filtro en sentido antihorario para retirarlo del cabezal.
2. Extraiga el cedazo y lávelo bien con el solvente adecuado. De ser necesario, restriegue el cedazo con un cepillo de cerdas de fibras.

## PRECAUCION

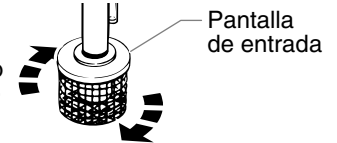
No use un cepillo de alambres ya que podría dañar el cedazo.

**NOTA: Extraiga el cedazo cuando use materiales para rellenar juntas, masillas u otros materiales similares.**



### Para limpiar la pantalla de la entrada

1. Quite la pantalla de la entrada y límpiela con un solvente que sea apropiado para el tipo de material que se esté usando.



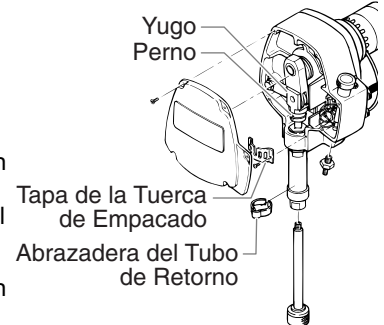
### Re-empacando la Sección de Fluido

Re-empacar la sección de flúidos incluye reponer los empaques así como cualesquiera partes de válvulas que muestren señas de desgaste.

**NOTA: Si hay partes difíciles de desensamblar, sumérjalas en un solvente adecuado hasta que la pintura se adelgace.**

### Quitando la Sección de Fluido

1. Desenrosque el ensamble del tubo del sifón del ensamble de la sección de fluido.
2. Desenrosque la manguera de fluido del ensamble de la sección de fluido.
3. Quite la abrazadera del tubo de retorno y aleje el tubo de retorno del ensamble de la sección de fluido.
4. Desatornille los cinco tornillos que sujetan la tapa delantera al cuerpo de la bomba y quite la tapa.
5. Desatornille los dos tornillos que sujetan la tapa de la tuerca de empaçado al cuerpo de la bomba y quite la tapa.
6. Con cuidado, corra la bomba durante intervalos cortos hasta que el perno conector está frente al área en bajo-relieve del cuerpo de la bomba.
7. Desconecte el cable de energía de la bomba de su fuente de poder.
8. Empuje el perno conector fuera de la varilla del pistón y yugo. Si es necesario, use el extremo corto de una llave hexagonal.
9. Afloje la tuerca candado en la parte superior del ensamble de la sección de fluido.
10. Desenrosque el ensamble de la sección de fluido de la bomba.

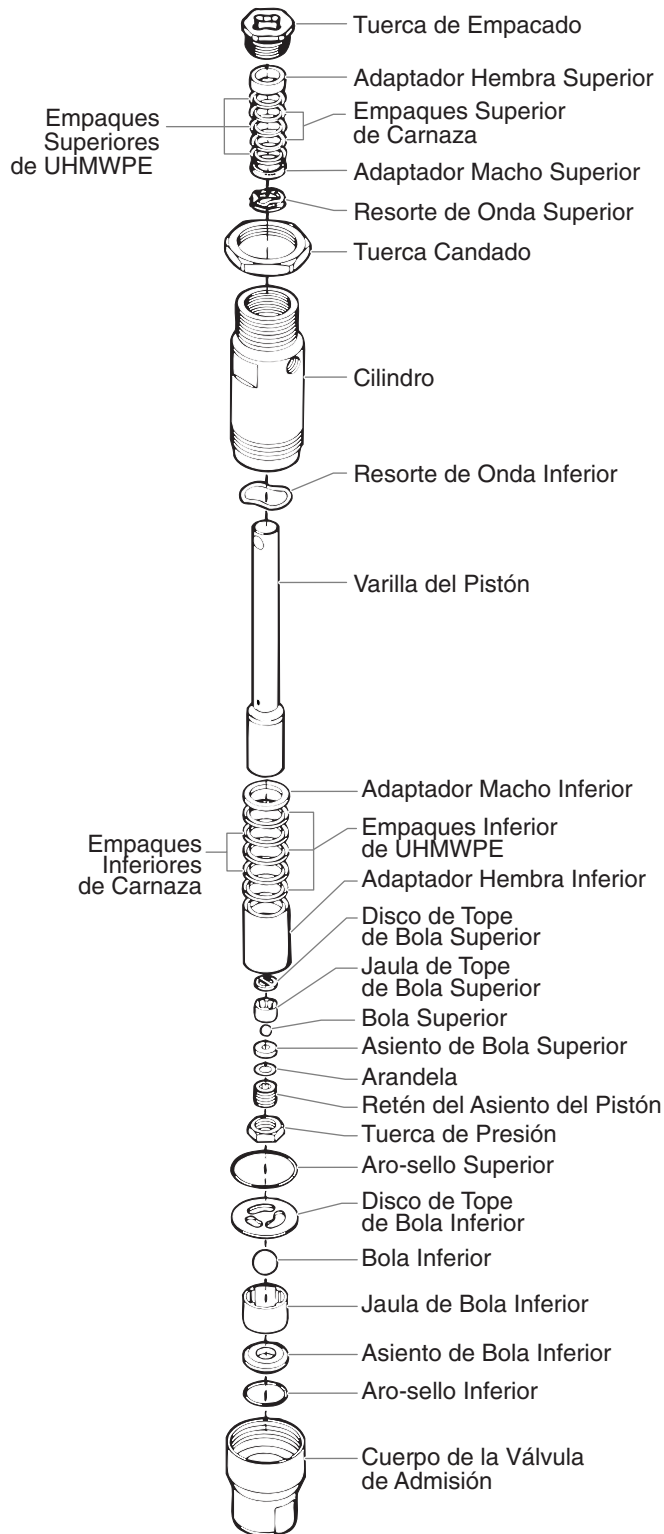


## PRECAUCION

No corra la bomba cuando está quitado el ensamble de la sección de fluido.

## Desarmando la Sección de Fluido

### Desarmando el Cuerpo de la Válvula de Admisión



1. Coloque los lados planos del cuerpo de la válvula de admisión en una prensa de banco. Apriete la prensa.
2. Desenrosque el cilindro del cuerpo de la válvula de admisión en sentido contrario a las manecillas del reloj. Ponga el cilindro a un lado.
3. Quite e inspecciones el aro-sello superior. Si está dañado, cambie el aro-sello durante el re-ensamblado.
4. Quite el cuerpo de la válvula de admisión de la prensa de banco. Saque el disco del tope de la bola inferior, la jaula de la bola inferior, y la bola inferior.

5. Quite el asiento de la bola inferior. Revise la bola y el asiento de la bola para que no estén dañados. Si el asiento de la bola inferior se encuentra dañado o gastado, puede voltearse al lado no usado durante el re-ensamble. La bola inferior debe cambiarse si está dañada o si el asiento de la bola inferior se encuentra volteado.
6. Quite el aro-sello inferior del porta válvula de admisión.

### Desarmando el Cilindro y Varilla del Pistón

1. Coloque los lados planos del cilindro en la prensa de banco. Apriete la prensa.

## PRECAUCION

**No sobre-apriete la prensa. Puede ocurrir daños al cilindro.**

2. Quite la tuerca de empaquetado.
3. Suavemente, con un mazo de plástico saque el ensamble de la varilla del pistón fuera del extremo inferior del pistón.

## PRECAUCION

**Al quitar el pistón, evite que el pistón se caiga o de lo contrario puede dañarse el pistón.**

4. Quite los empaques inferiores de carnaza y UHMWPE y el adaptador hembra inferior del cilindro si es que no salieron junto con la varilla del pistón.
5. Quite el adaptador macho inferior y el resorte de onda inferior.
6. Quite los empaques superior de carnaza y UHMWPE, el adaptador hembra superior, el adaptador macho superior, y el resorte de onda superior.
7. Inserte el perno conector a través del orificio en la varilla del pistón. Asegure el perno conector en las mordazas de la prensa de banco hasta que la varilla del pistón esté colocada verticalmente.

## PRECAUCION

**No ponga la varilla del pistón sola en la prensa de banco. Las mordazas de la prensa dañarán la varilla del pistón.**

8. Quite la tuerca de presión.
9. Quite el retén del asiento del pistón con una llave hexagonal de 5/16".
10. Quite el ensamble de la varilla del pistón de la prensa.
11. Quite la arandela, el asiento de la bola superior, la bola superior, la jaula de la bola superior y el disco tope de la bola superior del extremo inferior del ensamble de la varilla del pistón.
12. Revise la bola superior y el asiento de la bola superior para que no tenga daños. Si el asiento de la bola superior está gastado o dañado, puede voltearse al lado no usado durante el re-ensamblado. La bola superior debe cambiarse si está dañada o si el asiento de la bola superior está volteado. La arandela debe cambiarse.

### Re-ensamblando la Sección de Fluido

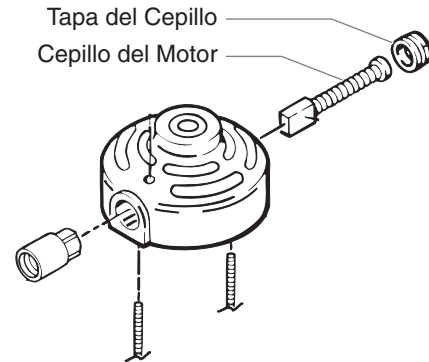
1. Inserte el perno conector a través del orificio en la varilla del pistón. Asegure el perno conector en las mordazas de la prensa de banco de manera que la varilla del pistón esté colocada verticalmente.
2. Inserte el disco tope de la bola superior, la jaula de la bola superior, la nueva bola superior y la arandela nueva en el ensamble del pistón.
3. Coloque sello removible (tipo lock-tite) en el retén del asiento del pistón e inserte el retén en el ensamble de la varilla del pistón. Apriete el retén del asiento del pistón (apriete con 250 pulg./lbs. de torque).
4. Coloque sello removible (tipo lock-tite) en la tuerca de presión. Apriete la tuerca de presión sobre el retén del asiento del pistón (apriete con 200 pulg./lbs. de torque).
5. Quite el ensamble de la varilla del pistón de la prensa de banco.

6. Coloque los lados planos del cilindro en la prensa de banco. Apriete la prensa.
7. Sumerja los empaques nuevos de carnaza en aceite de linaza durante 5 minutos. No debe excederse.
8. Inserte el nuevo resorte de onda inferior y el nuevo adaptador macho inferior en el cilindro.
9. Quite los empaques de carnaza inferiores nuevos del aceite. Instale los nuevos empaques inferiores de carnaza alternadamente con los nuevos empaques inferiores de UHMWPE.
10. Inserte el nuevo adaptador hembra inferior.
11. Inserte el ensamble de la varilla del pistón en el fondo del cilindro. Pudiera ser necesaria una ligera fuerza para empujar al pistón por los empaques inferiores.
12. Coloque el nuevo aro-sello inferior, el nuevo asiento de la bola, la jaula de la bola inferior y el disco tope de la bola inferior en el sujetador de la válvula de admisión.
13. Coloque compuesto anti-derrapante en las cuerdas inferiores del cilindro.
14. Coloque el nuevo aro-sello superior en el cilindro.
15. Afloje la prensa de banco e incline el cilindro a un ángulo de 45 grados. Apriete la prensa.
16. Apriete el sujetador de la válvula de admisión sobre el cilindro hasta que el cilindro sale por el fondo en el sujetador de la válvula de admisión. Asegúrese de usar los lados planos en el sujetador de la válvula de admisión para apretar completamente (apretar a 40 lbs/pie de torque).
17. Sumerja los empaques nuevos de carnaza en aceite de linaza durante 5 minutos. No debe excederse.
18. Inserte el nuevo resorte de onda superior y el nuevo adaptador macho superior en el cilindro.
19. Quite los empaques de carnaza superiores nuevos del aceite. Instale los nuevos empaques superiores de carnaza alternadamente con los nuevos empaques superiores de UHMWPE. (Para comprimir los empaques pudiera ser necesaria una herramienta, SprayTECH no. de parte #06009.)
20. Inserte el nuevo adaptador hembra superior.
21. Instale la tuerca de empackado y apriete hasta que la tuerca salga por el fondo en el cilindro (apretar a 25 lbs./pie de torque). No sobre apriete.
22. Instale la tuerca candado en las cuerdas del cilindro superior y gire hasta que la tuerca salga por el fondo en las cuerdas del cilindro.
23. Ponga compuesto anti-derrapante en las cuerdas del cilindro superior.
24. Quite la sección de fluido re-empacada de la prensa de banco e instálela en el cuerpo de la bomba principal. La varilla del pistón se alineará sola dentro del yugo.
25. Gire ligeramente la sección de fluido para alinear el orificio en el yugo y el orificio en el ensamble del pistón. Inserte el perno conector.
26. Cambie el retén de resorte.
27. Enrosque completamente la sección de fluido en el cuerpo de la bomba, luego desenrosque hasta  $\frac{1}{2}$  de vuelta para alinear el codo de salida con la manguera de fluido.
28. Gire la tuerca candado a favor de las manecillas del reloj hasta quedar apretada contra el cuerpo de la bomba.

## Reemplazo del Cepillo del Motor

Los cepillos deben revisarse periódicamente para asegurar su vida ininterrumpida. Su vida depende tanto de la carga como de la velocidad.

Si uno de los cepillos mide menos de 1/4" o está desgastado o quebrado, cambie ambos cepillos del motor. Además, se recomienda que los cepillos se revisen cuando se cambien los empaques.



### ⚠ ADVERTENCIA

**Nunca opere la bomba sin la cubierta frontal.**

1. Desconecte el cable de energía de la fuente eléctrica.
2. Quite los cuatro (4) tornillos de montaje de la guarda del motor y quite la guarda del motor.
3. Desatornille y quite las tapas de cepillos que sujetan los cepillos en su sitio.
4. Quite los cepillos.
5. Cambie con cepillos nuevos.
6. Cambie las tapas de los cepillos.
7. Cambie la guarda del motor y los tornillos.

## Para limpiar la boquilla de atomización

1. Enjuague la pistola con solvente inmediatamente después de que se complete el trabajo.
2. Lubrique los pasadores cilíndricos para prevenir que se traben.

Si la boquilla del atomizador se llegara a taponar, invierta la boquilla con la palanca y jale el gatillo. Una vez que la obstrucción haya salido de la boquilla del atomizador, suelte el gatillo, invierta de nuevo la boquilla hasta dejarla en la posición de patrón de atomización, y siga atomizando.



### ⚠ ADVERTENCIA

**No intente limpiar la boquilla con el dedo. No use agujas ni ninguno otro instrumento puntiagudo filoso para limpiar la boquilla. El carburo de tungsteno duro es quebradizo y se puede desportillar.**

## Para limpiar el filtro

Limpie el filtro con un cepillo que haya sumergido en solvente. No pique nunca el filtro con un instrumento filoso.

## Para cambiar el filtro

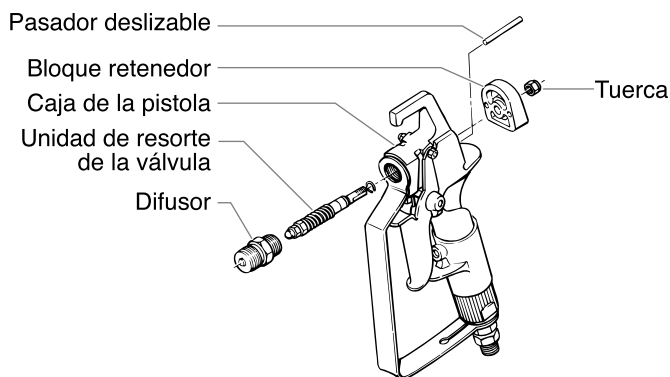
1. Jale hacia adelante el protector del gatillo para que se suelte del manubrio.
2. Desatornille el manubrio para separarlo de la caja y quite el filtro anterior.
3. Deslice el nuevo filtro, introduciendo primero el extremo cónico, dentro de la caja de la pistola.
4. Vuelva a colocar el manubrio, la rondana y el resorte. Atornille el manubrio en la caja hasta que quede apretado a mano. Vuelva a colocar el protector del gatillo.



## Para reemplazar la unidad de resorte de la válvula

**NOTA:** Reemplace la emapquetadura si la pistola de atomización está desensamblada. Reemplace los pasadores deslizables si están desgastados.

1. Desenrosque la boquilla del atomizador.
2. Bloquee la pistola en la posición ON y quite el difusor con una llave de tuercas.
3. Desbloquee la pistola.
4. Desenrosque la tuerca con una llave de tuercas y saque el bloque retenedor.
5. Quite los pasadores deslizables con cuidado y guárdelos en un lugar seguro para que no se vayan a extraviar.
6. Impulse la unidad de resorte de la válvula hacia adelante desde la parte posterior del bloque retenedor. Use el mango de un martillo de madera o una herramienta suave similar para evitar que se dañe la unidad de resorte de la válvula.



## Accesorios

Pieza #	Descripción
0297xxx	Conjunto de la boquilla RC
0502xxx	El núcleo de reemplazo, la boquilla RC
0297078	Protector de boquilla, la boquilla RC (11/16")
0297070	Protector de boquilla, la boquilla RC (7/8")
0291004	Manguera, Extremo de conexión flexible, 3' x 3/16"
0291003	Manguera, Extremo de conexión flexible, 5' x 3/16"
0291002	Manguera, Inalámbrica, 25' x 1/4"
0291000	Manguera, Inalámbrica, 50' x 1/4"
0093896	Conectador de manguera, 1/4" x 1/4"M
0088154	Manómetro
0152001	Accesorio para pistola de rodillo eléctrico
0152308	Cubierta de rodillo de 9", Felpa de 3/8"
0152307	Cubierta de rodillo de 9", Felpa de 1/2"
0152309	Cubierta de rodillo de 9", Felpa de 3/4"
0152310	Cubierta de rodillo de 9", Felpa de 1-1/4"
0152235	Cubierta de rodillo de 12", Felpa de 1/2"
0152236	Cubierta de rodillo de 12", Felpa de 3/8"
0152237	Cubierta de rodillo de 12", Felpa de 3/4"
0152238	Cubierta de rodillo de 12", Felpa de 1-1/4"
0152700	Adaptador, Extensión de rodillo eléctrico
0270145	Pistola de atomización sin aire de activación manual G-10 (sin punta)
0093930	Compuesto antiatascamiento
0152909	Rodillo de contracción R-10, 9", Felpa de 3/8"
0152900	Rodilla de contracción R-10, 12", Felpa de 3/8"
0502007	Pistola Atomizadora sin Aire G-10 de Cuatro Dedos con Punta Reversible 517
0502011	Pistola Atomizadora sin Aire G-10 de Dos Dedos (sin punta)
0502009	Pistola Atomizadora sin Aire G-10 de Dos Dedos con Punta Reversible 517
0270214	Paquete Atomizador G-10 de Cuatro Dedos con Manguera sin Aire de 50" x " [1,27 mm x 6 mm]
0502012	Paquete Atomizador G-10 de Dos Dedos con Manguera sin Aire de 50" x " [1,27 mm x 6 mm]

## Para escoger el filtro de pistola de atomización correcto

Use el filtro de pistola de atomización basándose en el tipo de material que se vaya a aplicar, como se muestra a continuación.

No. de pieza	Aplicación	Tipo de filtro	Número de malla	Color del cuerpo del filtro
0089960	Resina sintética, esmaltes, barnices claros, tintes, pinturas azules	Extrafino	0.084 mm	rojo
0089959	Esmaltes de revestimiento, esmaltes imprimadores, blancos de carga, pinturas para marcar, esmaltes de textura	Fino	0.140 mm	amarillo
0089958	Emulsiones, pinturas de látex, pinturas acrílicas	Mediano	0.315 mm	blanco
0089957	Pinturas de fondo, superficies de área extensa	Grueso	0.560 mm	verde

# Detección de problemas

## Problema

La unidad no funciona.

## Causa

1. Fusible del panel quemado o interruptor desconectado.
2. La unidad no está conectada.
3. Se fijó la perilla de control de la presión demasiado abajo.
4. Cableado defectuoso o suelto.
5. Brochas accionadas por motor desgastadas.
6. Fusible del interruptor de encendido/apagado defectuoso.

## Solución

1. Verifique y reemplácelo o vuelva a conectarlo.
2. Conecte la unidad.
3. Gire la perilla en dirección de las manecillas del reloj para aumentar la presión.
4. Inspecciónelo y llévelo a un centro de servicio autorizado de SprayTECH.
5. Llévelo a un centro de servicio autorizado de SprayTECH.
6. Llévelo a un centro de servicio autorizado de SprayTECH.

La unidad no ceba.

1. Las empaquetaduras del pistón se secaron.
2. La pantalla de entrada de la bomba está tapada.
3. Hay aire en la bomba o manguera.
4. Las empaquetaduras están desgastadas.
5. El fluido es demasiado viscoso.

1. Quite el tubo sifón y sienta el tope de la bola inferior para estar seguro de que puede sacarse libremente de su asiento. Ponga una taza llena de adelgazador de pintura sobre el extremo de la sección de fluido y encienda la bomba.
2. Quite la pantalla y límpiela.

La unidad no acumula presión o no la mantiene.

6. El tubo sifón está obstruido.
7. El tubo sifón tiene una fuga de aire.
1. La perilla para ajustar la presión no está debidamente ajustada.
2. La pantalla de entrada de la bomba está sucia.
3. Las bolas o sellos de la válvula de cebar/atomizar están desgastados o sucios.
4. Hay aire en la bomba o manguera.
5. Las empaquetaduras están desgastadas.
6. La boquilla del atomizador está desgastada.
7. Hay una fuga interna.

3. Dispare la pistola y haga funcionar la unidad durante aproximadamente 10 segundos hasta extraerle el aire.
4. Reemplace las empaquetaduras.
5. Ceba la bomba con un solvente que sea apropiado para el tipo de material que se esté usando. Quite con cuidado la bomba del recipiente de solvente y sumerja el tubo sifón en el material altamente denso que se va a atomizar. Teniendo la pistola sin boquilla, dispárela hasta que aparezca el material altamente denso en la pistola. Vuelva a colocar la boquilla.
6. Quite el tubo sifón y límpielo.
7. Revise la conexión y selle.

Una fuga de fluido en el extremo superior de la sección de fluido.

8. Hay una fuga de fluido.
9. El fluido es demasiado viscoso.
10. La boquilla del atomizador es demasiado grande.

1. Gire la perilla de control de la presión en dirección de las manecillas del reloj para aumentar la presión.
2. Quite y limpie la pantalla de entrada.
3. Reemplácelos o límpielos.
4. Dispare la pistola y haga funcionar la unidad durante aproximadamente 10 segundos hasta extraerle el aire.
5. Reemplace las empaquetaduras.
6. Reemplace la boquilla siguiendo las instrucciones que vienen con la pistola.
7. Teniendo el gatillo de la pistola cerrado, deje que la unidad bombee a presión y apáguela si la bomba arranca momentáneamente. Se habrá indicado una fuga interna y será necesario reempaquetar de nuevo la sección de fluido.
8. Revise que no haya fugas externas, incluyendo los adaptadores hidráulicos que están en la caja de control de la presión.
9. Consulte las recomendaciones sobre el recipiente de material del fabricante.
10. Reemplace la boquilla del atomizador siguiendo las instrucciones que vienen con la pistola.

Patrón de atomización deficiente.

1. Las empaquetaduras superiores están desgastadas.
2. El vástago del pistón está desgastado.
1. La boquilla del atomizador resulta demasiado grande para el tipo de material que se está usando.
2. El ajuste de presión es incorrecto.
3. Entrega de fluido insuficiente.
4. El fluido es demasiado viscoso.

1. Libere la presión y asegure la tuerca de compensación de la empaquetadura o reemplace las empaquetaduras.
2. Reemplace el vástago del pistón.
1. Cámbiela por una boquilla más pequeña.

Le falta potencia a la unidad.

1. El ajuste de la presión es demasiado bajo.
2. Suministro de voltaje inapropiado.

2. Ajuste la perilla de control de la presión.
3. Limpie todas las pantallas y filtros.
4. Añada solvente de acuerdo a las recomendaciones del fabricante.
1. Aumente la presión.
2. Vuelva a conectar el voltaje de entrada de 120V CA.

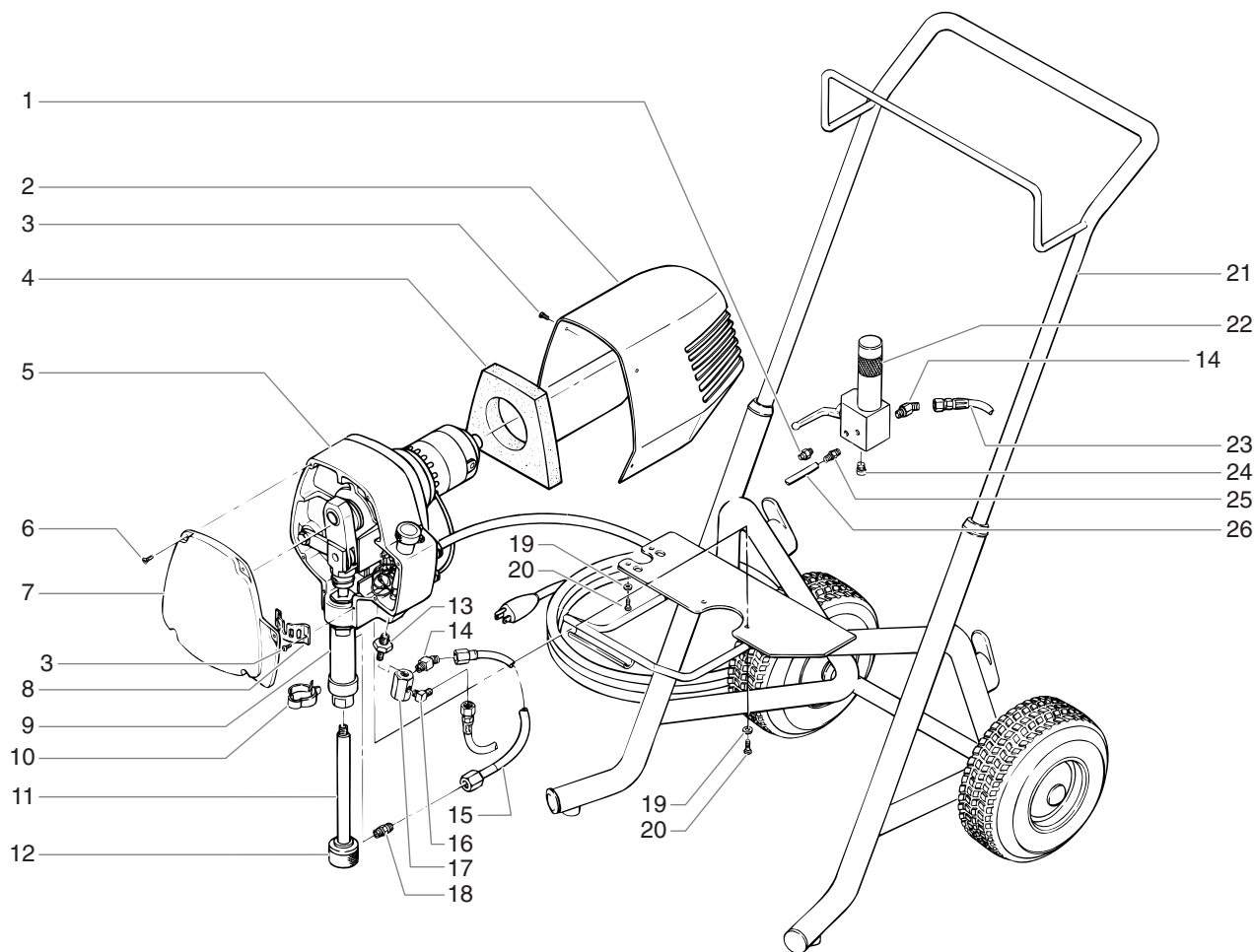
Los fusibles de la bomba están quemados.

1. Hay un exceso de presión.
2. Un disyuntor se disparó.
3. La caja del engranaje, el mecanismo o el motor se descompusieron.

1. Llévelo a un centro de servicio autorizado de SprayTECH.
2. Llévelo a un centro de servicio autorizado de SprayTECH.
3. Repare o reemplace las piezas que no funcionan correctamente.

# Parts List • Liste des pièces • Lista de piezas

## Main Assembly/Cart • Dispositif de principal/chariot • Conjunto del principal/Carro



### English

Item	Part #	Description	Quantity	Item	Part #	Description	Quantity
1	02518	Nipple.....	1	15	13549	Hose, Fluid.....	1
2	0279498	Shroud.....	1	16	12440	Elbow, 90°.....	1
3	9802515	Screw.....	6	17	0294415	Manifold.....	1
4	0294344	Baffle.....	1	18	05045	Nipple.....	1
5	-----	Drive Assembly.....	1	19	51357	Washer, Lock.....	4
6	9802543	Screw.....	5	20	52183	Bolt, Hex. Head.....	4
7	0294425	Cover, Front.....	1	21	0508949	Cart Assembly.....	1
8	0294393	Cover, Packing Nut.....	1	22	0294220	Filter Assembly.....	1
9	0294133	Fluid Section Assembly.....	1		0507155	Optional Filter Assembly (Includes Items 1, 14, 22, 24 & 25)	
10	0294584	Return Tube Clamp.....	1		0294609	Hose, Fluid, 1/4 NPT.....	1
11	0279473	Siphon Tube Assembly.....	1	23	51055	Plug, Pipe.....	2
12	02975	Intake Screen.....	1	24	9885563	Fitting, Tube.....	1
13	02208	Transducer Assembly.....	1	25	0507149	Tube, Return.....	1
14	9885547	Elbow 45°.....	2	26			

### Français

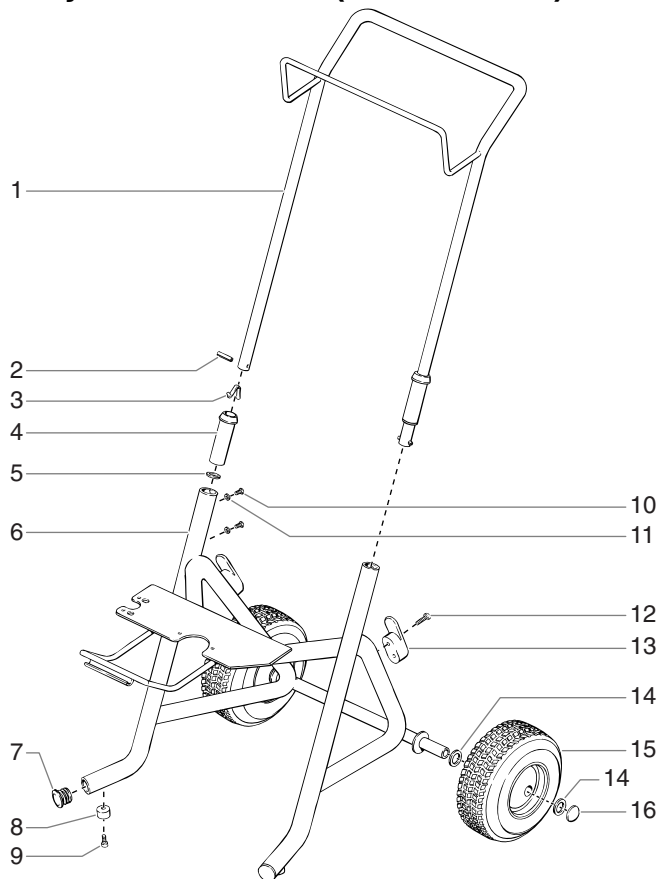
Article	N° de pièce	Description	Quantité	Article	N° de pièce	Description	Quantité
1	02518	Raccord fileté.....	1	15	13549	Flexible d'alimentation en liquide.....	1
2	0279498	Buse munie.....	1	16	12440	Coude de 90°.....	1
3	9802515	Vis.....	6	17	0294415	Manifold.....	1
4	0294344	Défecteur.....	1	18	05045	Raccord fileté.....	2
5	-----	Entraînement.....	1	19	51357	Rodelle de serrage.....	4
6	9802543	Vis.....	5	20	52183	Boulon, Tête six pans.....	4
7	0294425	Capot, Avant.....	1	21	-----	Dispositif de chariot.....	1
8	0294393	Couvercle d'écrou de presse-garniture...1	1	22	0294220	Ensemble filtre.....	1
9	0294133	Compartment liquide.....	1		0507155	Ensemble de filtre optionnel (comprend les éléments 1, 14, 22, 24 & 25)	
10	0294584	Bride de tube de retour.....	1		0294609	Flexible d'alimentation en liquide, 1/4 NPT	1
11	0279473	Dispositif de tube siphon.....	1	23	51055	Bouchon, Tuyau.....	2
12	02975	Filtre d'entrée.....	1	24	9885563	Raccord, Tuyau.....	1
13	02208	Transducteur.....	1	25	0507149	Tube de renvoi.....	1
14	9885547	Coude de 45°.....	2	26			



## Español

Artículo	Pieza #	Descripción	Cantidad	Artículo	Pieza #	Descripción	Cantidad
1	02518	Niple.....	1	15	13549	Manguera de fluido.....	1
2	0279498	Cubierta.....	1	16	12440	Codo de 90°.....	1
3	9802515	Tornillo.....	6	17	0294415	Multiple (manifold).....	1
4	0294344	Deflector.....	1	18	05045	Niple.....	2
5	-----	Conjunto del impulsor.....	1	19	51357	Pondana de presión.....	4
6	9802543	Tornillo.....	5	20	52183	Tornillo, Cabeza Hexagonal.....	4
7	0294425	Tapa, Frente.....	1	21	-----	Conjunto del carro.....	1
8	0294393	Tapa, Tuerca de Empacado.....	1	22	0294220	Ensamblaje del filtro.....	1
9	0294133	Conjunto de la sección de fluido.....	1		0507155	Ensamble de Filtro Opcional (Incluye artículos 1, 14, 22, 24 & 25)	1
10	0294584	Abrazadera del Tubo de Retorno.....	1	23	0294609	Manguera de fluido, 1/4 NPT.....	1
11	0279473	Conjunto del tubo sifón.....	1	24	51055	Tapón, Tubo.....	2
12	02975	Pantalla de entrada.....	1	25	9885563	Conector, Tubo.....	1
13	02208	Conjunto del transductor.....	1	26	0507149	Tubo de retorno.....	1
14	9885547	Codo de 45°.....	2				

## Cart Assembly • Dispositif de chariot • Conjunto del Carro (P/N 0508949)



## English

Item	Part #	Description	Quantity
1	0507144	Handle.....	1
2	0295610	Pin, roll.....	2
3	9841504	Button, snap.....	2
4	0295607	Sleeve, handle.....	2
5	0295609	Washer, flat.....	2
6	0507134	Cart.....	1
7	9885571	Plug.....	2
8	13538	Foot.....	2
9	54458	Screw.....	2
10	0295608	Screw.....	4
11	0509386	Washer, lock.....	4
12	0293357	Screw.....	4
13	0279437	Cord wrap.....	2
14	0294534	Spacer, Wheel.....	4
15	0278373	Wheel.....	2
16	9890104	Cap.....	2

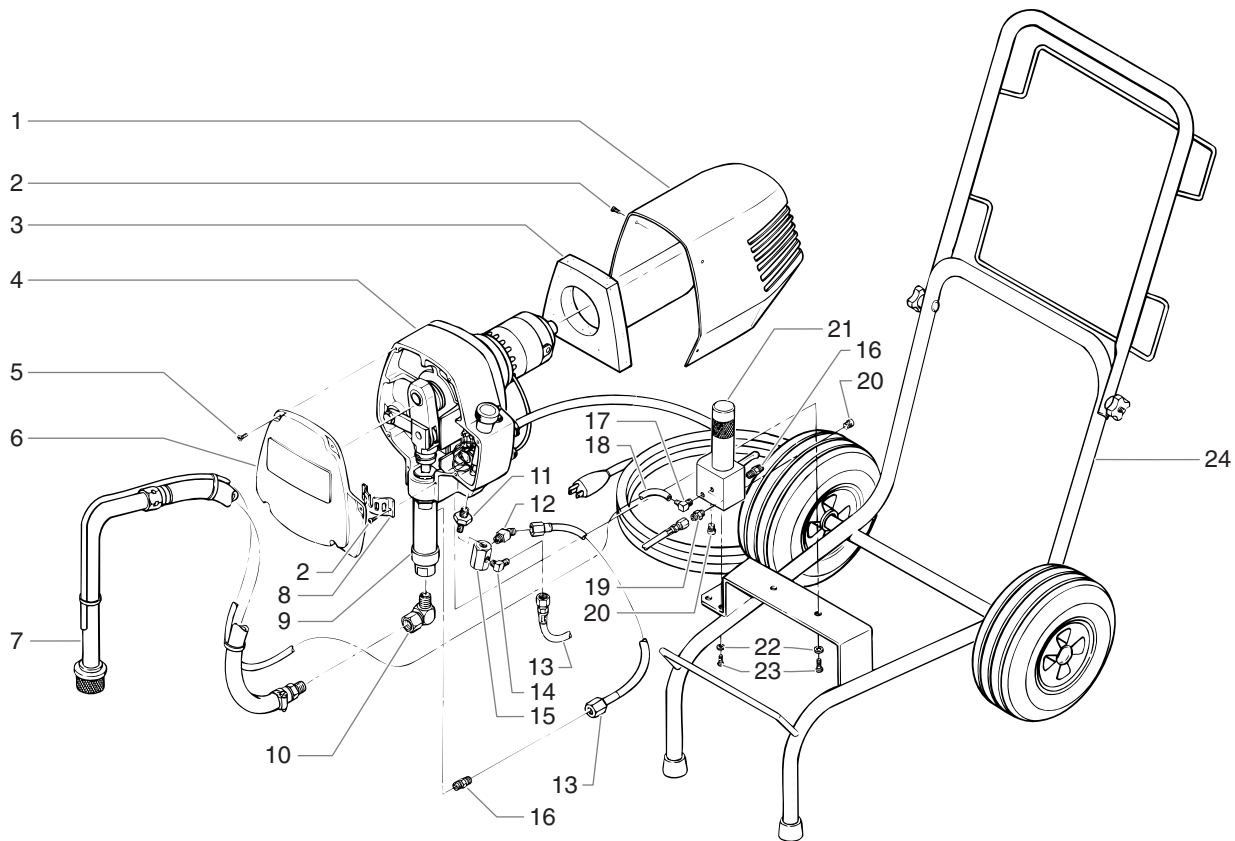
## Français

Article	N° de pièce	Description	Quantité
1	0507144	Poignée.....	1
2	0295610	Goupille rouleau.....	2
3	9841504	Bouton d'enclenchement.....	2
4	0295607	Manche de poignée.....	2
5	0295609	Rondelle plate.....	2
6	0507134	Chariot.....	1
7	9885571	Prise.....	2
8	13538	Pied.....	2
9	54458	Vis.....	2
10	0295608	Vis.....	4
11	0509386	Rondelle de sécurité.....	4
12	0293357	Vis.....	4
13	0279437	Attache de cordon.....	2
14	0294534	Rondelle d'espacement.....	4
15	0278373	Roue.....	2
16	9890104	Chapeau.....	2

## Español

Artículo	Pieza #	Descripción	Cantidad
1	0507144	Mango.....	1
2	0295610	Pasador de rolo.....	2
3	9841504	Botón, a presión.....	2
4	0295607	Manga de asa.....	2
5	0295609	Rondana, plana.....	2
6	0507134	Carro.....	1
7	9885571	Tapón.....	2
8	13538	Pata.....	2
9	54458	Tornillo.....	2
10	0295608	Tornillo.....	4
11	0509386	Rondana de seguridad.....	4
12	0293357	Tornillo.....	4
13	0279437	Amarra.....	2
14	0294534	Espaciador.....	4
15	0278373	Rueda.....	2
16	9890104	Tapa.....	2

# Main Assembly/Low Boy • Dispositif principale/Low Boy • Conjunto del principal/Cama Baja (Low Boy)



## English

Item	Part #	Description	Quantity	Item	Part #	Description	Quantity
1	0279498	Shroud	1	14	12440	Elbow, 90°	1
2	9802515	Screw	6	15	0294415	Manifold	1
3	0294344	Baffle	1	16	05045	Nipple	2
4	-----	Drive Assembly	1	17	9885559	Elbow, 90° (return tube)	1
5	9802543	Screw	5	18	0294767	Tube, Return	1
6	0294425	Cover, Front	1	19	02518	Nipple	1
7	0294185	Suction Set	1	20	51055	Plug, Pipe	2
8	0294393	Cover, Packing Nut	1	21	0294220	Filter Assembly	1
9	0294133	Fluid Section Assembly	1		0294228	Optional Filter Assembly	
10	0090447	Elbow, 90°	1			(Includes Items 16, 17, 19, 20 & 21)	
11	02208	Transducer Assembly	1	22	51357	Washer, Lock	4
12	9885547	Elbow 45°	1	23	52183	Bolt, Hex. Head	4
13	13549	Hose, Fluid	2	24	-----	Low Boy Cart Assembly	1

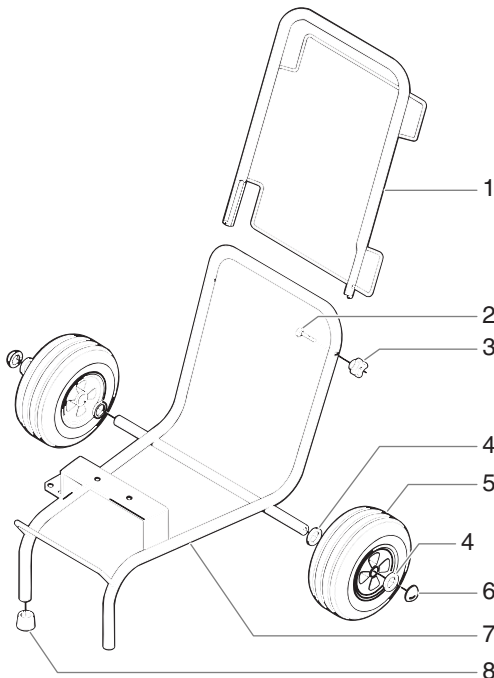
## Français

Article	N° de pièce	Description	Quantité	Article	N° de pièce	Description	Quantité
1	0279498	Buse munie	1	14	12440	Coude de 90°	1
2	9802515	Vis	6	15	0294415	Manifold	1
3	0294344	Défecteur	1	16	05045	Raccord fileté	2
4	-----	Entraînement	1	17	9885559	Coude de 90° (tube de renvoi)	1
5	9802543	Vis	5	18	0294767	Tube de renvoi	1
6	0294425	Capot, Avant	1	19	02518	Raccord fileté	1
7	0294185	Ensemble d'aspiration	1	20	51055	Bouchon, Tuyau	2
8	0294393	Couvercle d'écrou de presse-garniture	1	21	0294220	Ensemble filtre	1
9	0294133	Compartment liquide	1		0294228	Ensemble de filtre optionnel (comprend les éléments 16, 17, 19, 20 & 21)	
10	0090447	Coude de 90°	1				
11	02208	Transducteur	1	22	51357	Rodelle de serrage	4
12	9885547	Coude de 45°	1	23	52183	Boulon, Tête six pans	4
13	13549	Flexible d'alimentation en liquide	2	24	-----	Dispositif de basse chariot	1

## Español

Artículo	Pieza #	Descripción	Cantidad	Artículo	Pieza #	Descripción	Cantidad
1	0279498	Cubierta .....	1	14	12440	Codo de 90° .....	1
2	9802515	Tornillo .....	6	15	0294415	Multiple (manifold) .....	1
3	0294344	Deflector .....	1	16	05045	Niple .....	2
4	-----	Conjunto del impulsor .....	1	17	9885559	Coco de 90° (tubo de retorno) .....	1
5	9802543	Tornillo .....	5	18	0294767	Tubo de retorno .....	1
6	0294425	Tapa, Frente .....	1	19	02518	Niple .....	1
7	0294185	Conjunto de Succión .....	1	20	51055	Tapón, Tubo .....	2
8	0294393	Tapa, Tuerca de Empacado .....	1	21	0294220	Ensamblaje del filtro .....	1
9	0294133	Conjunto de la sección de fluido .....	1		0294228	Ensamble del Filtro Opcional (Incluye artículos 16, 17, 19, 20 & 21)	
10	0090447	Codo de 90° .....	1	22	51357	Pondana de presión .....	4
11	02208	Conjunto del transductor .....	1	23	52183	Bolt, Hex. Head .....	4
12	9885547	Codo de 45° .....	1	24	-----	Conjunto del bajo carro .....	1
13	13549	Manguera de fluido .....	1				

## Low Boy Cart Assembly • Dispositif de chariot Low Boy • Conjunto del Carro de Cama Baja (Low Boy)



## English

Item	Part #	Description	Quantity
1	0507154	Handle .....	1
2	9802518	Bolt.....	2
3	0288661	Knob .....	2
4	0294534	Spacer .....	4
5	0278373	Wheel.....	2
6	9890104	Cap .....	2
7	0507153	Cart .....	1
8	0270343	Foot.....	2

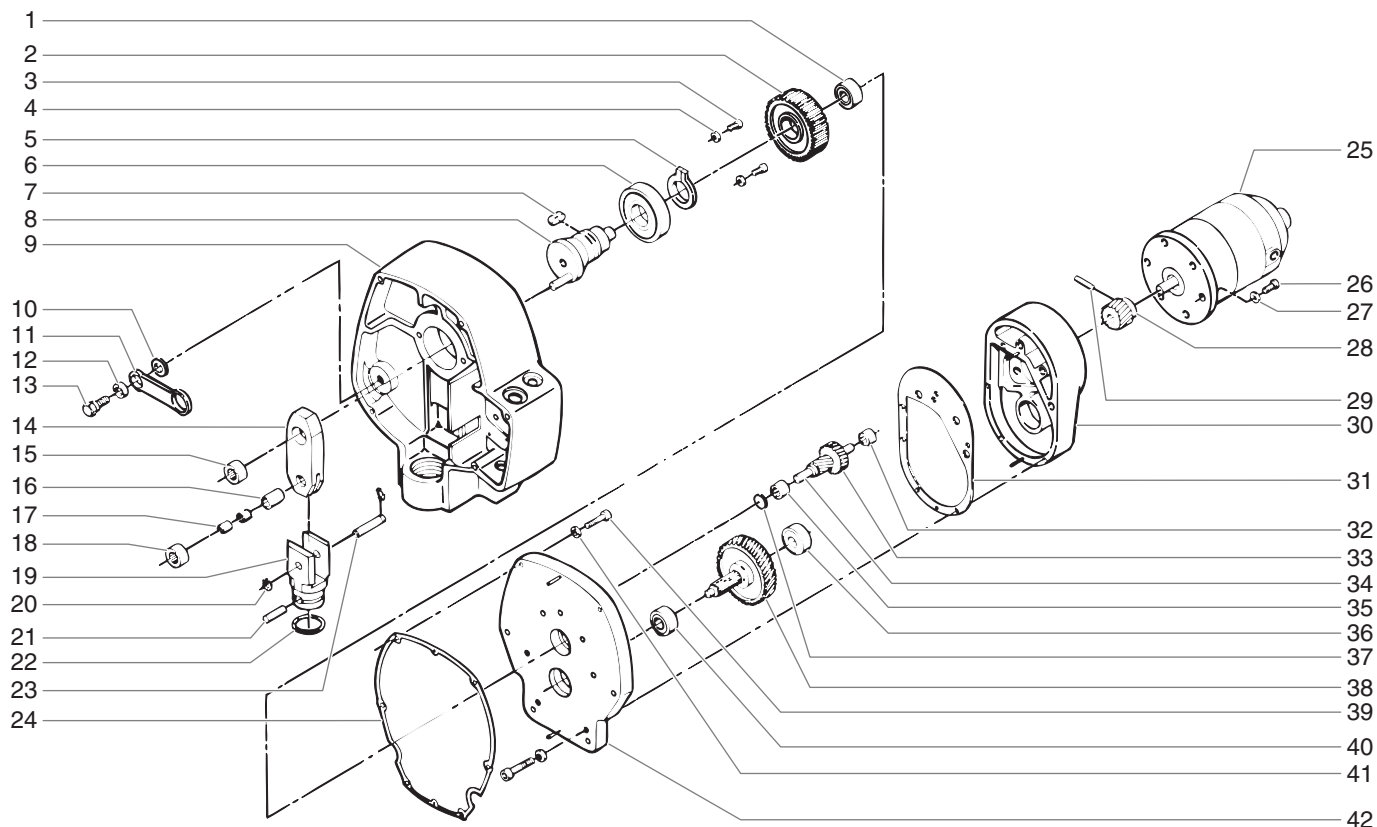
## Français

Article	N° de pièce	Description	Quantité
1	0507154	Poignée .....	1
2	9802518	Boulon .....	2
3	0288661	Bouton.....	2
4	0294534	Rondelle d'espacement.....	4
5	0278373	Roue.....	2
6	9890104	Chapeau.....	2
7	0507153	Chariot.....	1
8	0270343	Pied .....	2

## Español

Artículo	Pieza #	Descripción	Cantidad
1	0507154	Mango .....	1
2	9802518	Tornillo .....	2
3	0288661	Perilla .....	2
4	0294534	Espaciador .....	4
5	0278373	Rueda .....	2
6	9890104	Tapa .....	2
7	0507153	Carro .....	1
8	0270343	Pata .....	2

# Drive Assembly • Dispositif de entraînement • Conjunto del impulsor



## English

Item	Part #	Description	Quantity	Item	Part #	Description	Quantity
1	50547	Bearing .....	1	23	0294365	Pin, Yoke .....	1
2	05282	Gear .....	1	24	0294394	Gasket .....	1
3	53082	Screw .....	2	25	0508147	Motor with Pinion (includes items 28 and 29) .....	1
4	11843	Washer .....	2	26	50318	Screw .....	13
5	51845	Retaining Ring .....	1	27	50113	Washer .....	13
6	51837	Bearing .....	1	28	05207	Pinion .....	1
7	05304	Key .....	1	29	0295722	Spring Pin .....	1
8	11177	Crankshaft .....	1	30	0508905	Gear Case .....	1
9	0295605	Housing .....	1	31	17183	Gasket .....	1
10	0294446	Washer .....	1	32	50989	Bearing .....	1
11	0294602	Drag Link .....	1	33	0507167	High Speed Cluster .....	1
12	0294368	Bearing .....	1	34	05208	Gear Set (includes items 28, 29, and 33) .....	1
13	0294410	Bolt, Shoulder .....	1	35	0507475	Bearing .....	1
14	0294604	Rod, Connecting .....	1	36	50962	Bearing .....	1
15	50555	Bearing .....	1	37	0507473	Thrust washer .....	1
16	0294364	Bushing .....	1	38	05274	Low Speed Cluster .....	1
17	0294367	Bearing .....	2	39	53074	Screw .....	6
18	0294366	Bearing .....	1	40	50954	Bearing .....	1
19	0294606	Yoke .....	1	41	9821506	Lock Washer .....	6
20	51187	Retaining Ring .....	2	42	0508964	Plate, Adapter (includes item 35) .....	1
21	0294302	Pin, Connecting .....	1				
22	0294301	Retainer. Spring .....	1				
					0508963	Gear service kit (includes items 28, 29, 33, and 42)	

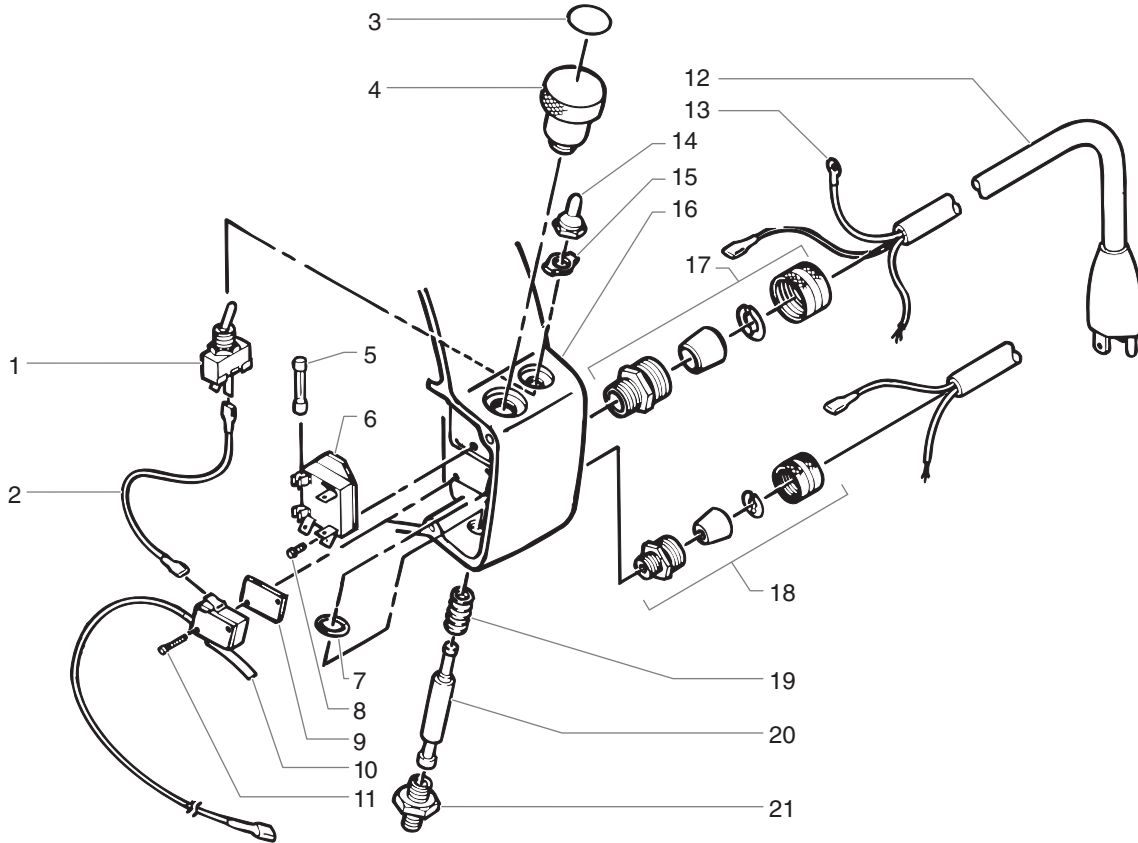
## Français

Article	N° de pièce	Description	Quantité	Article	N° de pièce	Description	Quantité
1	50547	Roulement .....	1	24	0294394	Joint .....	1
2	05282	Engrenage .....	1	25	0508147	Moteur avec pignon (inclus les articles 28 et 29) .....	1
3	53082	Vis .....	2	26	50318	Vis .....	13
4	11843	Rondelle .....	2	27	50113	Rondelle .....	13
5	51845	Bague de retenue .....	1	28	05207	Pignon .....	1
6	51837	Roulement .....	1	29	0295722	Goupille-ressort .....	1
7	05304	Clé .....	1	30	0508905	Carter d'engrenages .....	1
8	11177	Vilebrequin .....	1	31	17183	Joint .....	1
9	0295605	Boîtier .....	1	32	50989	Roulement .....	1
10	0294446	Rondelle .....	1	33	0507167	Train d'engrenages haute vitesse .....	1
11	0294602	Câble .....	1	34	05208	Jeu d'engrenages (inclus les articles 28, 29, et 33) .....	1
12	0294368	Roulement .....	1	35	0507475	Roulement .....	1
13	0294410	Vis à épaulement .....	1	36	50962	Roulement .....	1
14	0294604	Tringle de liaison .....	1	37	0507473	Rondelle de butée .....	1
15	50555	Roulement .....	1	38	05274	Train d'engrenages basse vitesse .....	1
16	0294364	Manchon .....	1	39	53074	Vis .....	6
17	0294367	Roulement .....	2	40	50954	Roulement .....	1
18	0294366	Roulement .....	1	41	9821506	Rondelle de sécurité .....	6
19	0294606	Support .....	1	42	0508964	Plaque adaptatrice (inclus le articles 35) .....	1
20	51187	Bague de retenir .....	2				
21	0294302	Broche de connexion .....	1				
22	0294301	Bague d'arrêt à ressort .....	1				
23	0294365	Broche de bride .....	1				
					0508963	L'ensemble de service d'engrenages (inclus les articles 28, 29, 33, et 42)	

## Español

Artículo	Pieza #	Descripción	Cantidad	Artículo	Pieza #	Descripción	Cantidad
1	50547	Cojinete .....	1	24	0294394	Empaque .....	1
2	05282	Engranaje .....	1	25	0508147	Motor con Piñón (incluye los artículos 28 y 29) .....	1
3	53082	Tornillo .....	2	26	50318	Tornillo .....	13
4	11843	Rondana .....	2	27	50113	Rondana .....	13
5	51845	Anillo de retención .....	1	28	05207	Piñón .....	1
6	51837	Cojinete .....	1	29	0295722	Perno Resorte .....	1
7	05304	Cuña .....	1	30	0508905	Caja de Engrane .....	1
8	11177	Cigüeñal .....	1	31	17183	Empaque .....	1
9	0295605	Caja .....	1	32	50989	Cojinete .....	1
10	0294446	Rondana .....	1	33	0507167	Cluster de Alta Velocidad .....	1
11	0294602	Línea de Arrastre .....	1	34	05208	Conjunto de Engranes (incluye los artículos 28, 29, y 33) .....	1
12	0294368	Cojinete .....	1	35	0507475	Cojinete .....	1
13	0294410	Tornillo, Hombro .....	1	36	50962	Cojinete .....	1
14	0294604	Varilla, Conexión .....	1	37	0507473	Arandela de empuje .....	1
15	50555	Cojinete .....	1	38	05274	Cluster de Baja Velocidad .....	1
16	0294364	Buje .....	1	39	53074	Tornillo .....	6
17	0294367	Cojinete .....	2	40	50954	Cojinete .....	1
18	0294366	Cojinete .....	1	41	9821506	Rondana de seguridad .....	6
19	0294606	Yoke .....	1	42	0508964	Placa, Adaptador (incluye artículo 35) .....	1
20	51187	Anillo de retención .....	2				
21	0294302	Perno, Conector .....	1				
22	0294301	Retén, Resorte .....	1				
23	0294365	Perno, Yugo .....	1				
					0508963	El juego servicio de engrane (incluye los artículos 28, 29, 33, y 42)	

# Pressure Control Assembly • Dispositif de réglage de la pression • Conjunto del control de la presión



## English

Item	Part #	Description	Quantity	Item	Part #	Description	Quantity
1	53280	ON/OFF switch .....	1	12	02491	Cord set.....	1
2	0508313	Lead wire .....	1	13	52671	Ring terminal .....	1
3	0294837	Pressure increase label .....	1	14	02585	Toggle boot.....	1
4	0295426	Pressure control knob.....	1	15	0089986	Plate, ON/OFF .....	1
5	54276	Fuse (12 amp).....	1	16	0295605	Housing .....	1
6	18066	Relay (25 amp).....	1	17	9850664	Strain relief .....	1
7	9822522	Retaining ring.....	1	18	9850629	Strain relief .....	1
8	9804928	Screw .....	3	19	02712	Spring .....	1
9	03662	Spacer .....	1	20	0294359	Plunger.....	1
10	0508302	Pressure switch assembly .....	1	21	02208	Transducer assy.....	1
11	9800604	Screw.....	2				

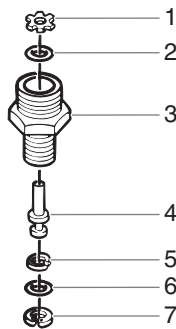
## Français

Article	N° de pièce	Description	Quantité	Article	N° de pièce	Description	Quantité
1	53280	Commutateur, MARCHE/ARRÊT .....	1	12	02491	Cordon.....	1
2	0508313	Fil de connexion .....	1	13	52671	Bague de terminaison.....	1
3	0294837	Étiquette d'augmentation de pression ..	1	14	02585	Boîte de commutateur.....	1
4	0295426	Bouton de réglage de la pression.....	1	15	0089986	Plaque, MARCHE/ARRÊT.....	1
5	54276	Fusible (12 A) .....	1	16	0295605	Boîtier .....	1
6	18066	Relais (25 A) .....	1	17	9850664	Bride de cordon .....	1
7	9822522	Bague de retenue .....	1	18	9850629	Bride de cordon .....	1
8	9804928	Vis .....	3	19	02712	Ressort .....	1
9	03662	Séparateur .....	1	20	0294359	Plongeur .....	1
10	0508302	Interrupteur de la pression.....	1	21	02208	Transducteur .....	1
11	9800604	Vis.....	2				

## Español

Artículo	Pieza #	Descripción	Cantidad	Artículo	Pieza #	Descripción	Cantidad
1	53280	Interruptor, ON/OFF.....	1	12	02491	Juego de cables .....	1
2	0508313	Alambre principal.....	1	13	52671	Terminal de argolla .....	1
3	0294837	Etiqueta de incremento de presión.....	1	14	02585	Bota de interruptor .....	1
4	0295426	Perilla de control de la presión.....	1	15	0089986	Placa, ON/OFF .....	1
5	54276	Fusible, (12 amperios).....	1	16	0295605	Caja .....	1
6	18066	Relé (25 amperios) .....	1	17	9850664	Refuerzo de tensión .....	1
7	9822522	Anillo de retención .....	1	18	9850629	Refuerzo de tensión .....	1
8	9804928	Tornillo .....	3	19	02712	Resorte .....	1
9	03662	Espaciador.....	1	20	0294359	Inmensor.....	1
10	0508302	Interruptor de la presión .....	1	21	02208	Conjunto del transductor.....	1
11	9800604	Tornillo .....	2				

## Transducer Assembly • Ensemble transducteur • Conjunto del transductor



### English

Item	Part #	Description	Quantity
1	50431	Retaining ring.....	1
2	50504	O-ring.....	1
3	02216	Transducer body.....	1
4	02232	Piston.....	1
5	50512	Back-Up Ring.....	1
6	50482	O-ring (standard) .....	1
	02305	O-ring (optional, for lacquer-based material)	
7	50423	Retaining ring.....	1
8	02283	Transducer packing kit (includes items 1, 2, 4, 5, 6, and 7)	

**NOTE:** When paint begins to leak through the weep hole on the transducer assembly, repack the transducer assembly.

### Français

Article	N° de pièce	Description	Quantité
1	50431	Bague de retenue.....	1
2	50504	Joint torique.....	1
3	02216	Logement du transducteur .....	1
4	02232	Piston .....	1
5	50512	Bague de renfort .....	1
6	50482	Joint torique (standard) .....	1
	02305	Joint torique (en option, pour matériaux à base de laque)	
7	50423	Bague de retenue.....	1
8	02283	Kit de garnitures du transducteur (comprend les éléments 1, 2, 4, 5, 6, et 7)	

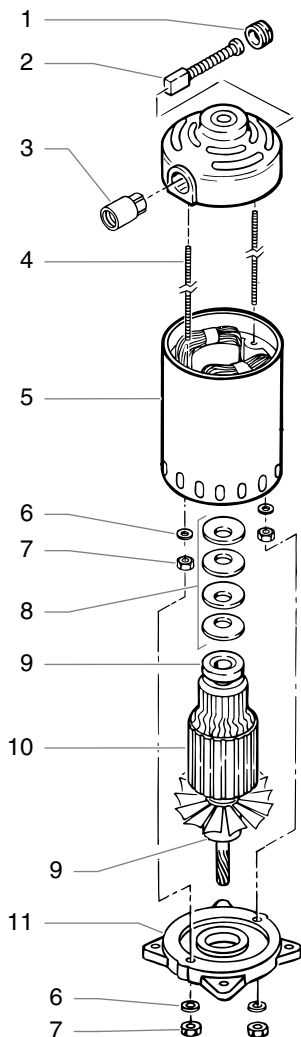
**NOTA:** Quand la peinture commence à sortir par l'orifice de fuite sur l'ensemble transducteur, remplacer les garnitures du transducteur.

### Español

Artículo	Pieza #	Descripción	Cantidad
1	50431	Anillo de retención .....	1
2	50504	Junta de anillo .....	1
3	02216	Cuerpo del transductor .....	1
4	02232	Pistón .....	1
5	50512	Argolla de Respaldo .....	1
6	50482	Junta de anillo (estándar) .....	1
	02305	Junta de anillo (opcional, para materiales base laca)	
7	50423	Anillo de retención .....	1
8	02283	Kit de Empacado de Transductor (incluye artículos 1, 2, 4, 5, 6 y 7)	

**NOTA:** Cuando la pintura comience a fugar a través del orificio de purgado en el ensamble del transductor, vuelva a empacar el ensamble del transductor.

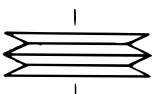
# Motor Assembly • Ensemble moteur • Conjunto del Motor



## English

Item	Part #	Description	Quantity
1	01686	Brush cap.....	2
2	01694	Motor brush.....	2
3	01678	Brush holder .....	2
4	01783	Stud .....	2
5	0279504	Stator assembly .....	1
6	50148	Lockwasher.....	4
7	50865	Nut .....	4
8	01791	Belleville washer.....	4
9	50962	Bearing-commutator end.....	2
10	19497	Armature w/bearings (includes bearing P/N 50962).....	1
11	05453	End plate assembly .....	1

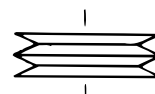
**NOTE:** Belleville washers should be installed with the convex sides facing.



## Français

Article	N° de pièce	Description	Quantité
1	01686	Capuchon de balais .....	2
2	01694	Balais de moteur.....	2
3	01678	Porte-balais.....	2
4	01783	Goujon .....	2
5	0279504	Ensemble stator.....	1
6	50148	Rondelle de blocage.....	4
7	50865	Écrou .....	4
8	01791	Rondelle Belleville .....	4
9	50962	Roulement côté collecteur.....	2
10	19497	Roulements côté induit (comprend le roulement P/N 50962) ....	1
11	05453	Ensemble plaque terminale .....	1

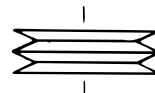
**NOTA:** Les rondelles Belleville doivent être installées de façon que les côtés convexes soient dirigés vers l'avant.



## Español

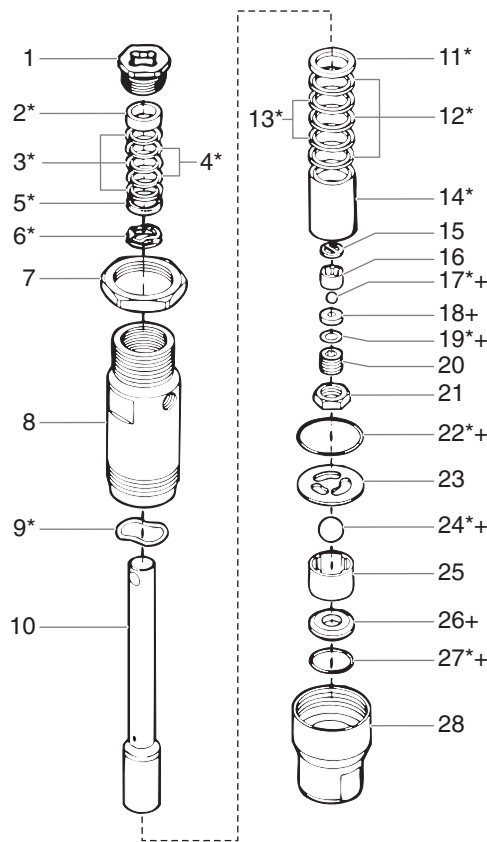
Artículo	Pieza #	Descripción	Cantidad
1	01686	Tapa del cepillo .....	2
2	01694	Cepillo del motor.....	2
3	01678	Porta cepillo .....	2
4	01783	Vástago.....	2
5	0279504	Ensamble del Estator .....	1
6	50148	Arandela de Presión .....	4
7	50865	Tuerca.....	4
8	01791	Arandela Belleville .....	4
9	50962	Extremo de rodamiento-conmutador ....	2
10	19497	Armadura c/rodamientos (incluye rodamiento No. de parte 50962) .....	1
11	05453	Ensamble de la placa extremo .....	1

**NOTA:** Las rondanas Bellville deben instalarse con los lados convexos frente a frente.





# Fluid Section Assembly • Compartiment liquide • Conjunto de la sección de fluido (P/N 0294133)



## English

Item	Part #	Description	Quantity
1	0294319	Packing nut (torque to 25 ft./lbs.).....	1
2	0294377	Upper female adapter.....	1
3	08180	Packings, UHMWPE.....	3
4	00078	Packings, leather.....	2
5	0294376	Upper male adapter.....	1
6	0294379	Wave spring.....	1
7	00302	Locknut.....	1
8	0294318	Cylinder.....	1
9	13364	Wave spring.....	1
10	0294316	Piston rod.....	1
11	0294326	Lower male adapter.....	1
12	08070	Lower packings, UHMWPE.....	3
13	09091	Lower packings, leather.....	2
14	0294375	Lower female adapter.....	1
15	13458	Upper ball stop disk.....	1
16	13357	Upper ball cage.....	1
17	50164	Upper ball.....	1
18	13359	Upper ball seat.....	1
19	09446	Washer.....	1
20	13481	Piston seat retainer (torque to 250 in./lbs.) ..	1
21	13482	Jam nut (torque to 200 in./lbs.).....	1
22	13381	Upper o-ring.....	1
23	13380	Lower ball stop disk.....	1
24	51519	Lower ball.....	1
25	00311	Lower ball cage.....	1
26	00310	Lower ball seat.....	1
27	00203	Lower o-ring.....	1
28	13403	Inlet valve housing (torque to 40 ft./lbs.).....	1

**NOTE:** Packing kit P/N 0294905 includes those items marked with a \*.

Valve kit P/N 0294689 includes those items marked with an +.

## Français

Article	N° de pièce	Description	Quantité
1	0294319	Écrou de serrage (couple de torsion: 25 pi/lb.)..	1
2	0294377	Raccord supérieur femelle.....	1
3	08180	Garnitures UHMWPE.....	3
4	00078	Garnitures en cuir.....	2
5	0294376	Raccord supérieur mâle.....	1
6	0294379	Ressort ondulé.....	1
7	00302	Contre-écrou.....	1
8	0294318	Cylindre.....	1
9	13364	Ressort ondulé.....	1
10	0294316	Tige de piston.....	1
11	0294326	Raccord inférieur mâle.....	1
12	08070	Garnitures inférieures UHMWPE.....	3
13	09091	Garnitures inférieures en cuir.....	2
14	0294375	Raccord inférieur femelle.....	1
15	13458	Disque d'arrêt de bille supérieure.....	1
16	13357	Logement de bille supérieure.....	1
17	50164	Bille supérieure.....	1
18	13359	Siège de bille supérieure.....	1
19	09446	Rondelle.....	1
20	13481	Fixation de la cale du piston (couple de torsion: 28 Nm (250 in./lbs.)) .....	1
21	13482	Contre-écrou (couple de torsion: 22,5 Nm (200 in./lbs.))..	1
22	13381	Joint torique supérieur.....	1
23	13380	Disque d'arrêt de bille inférieure.....	1
24	51519	Bille inférieure.....	1
25	00311	Logement de bille inférieure.....	1
26	00310	Siège de bille inférieure.....	1
27	00203	Joint torique inférieur.....	1
28	13403	Logement de la soupape d'aspiration (couple de torsion: 55 Nm (40 ft./lbs.)) .....	1

**NOTA :** L'ensemble de remplacement des joints P/N 0294905 contient les articles marqués d'un \*.

L'ensemble de remplacement de la valve P/N 0294689 contient les articles marqués d'une +.

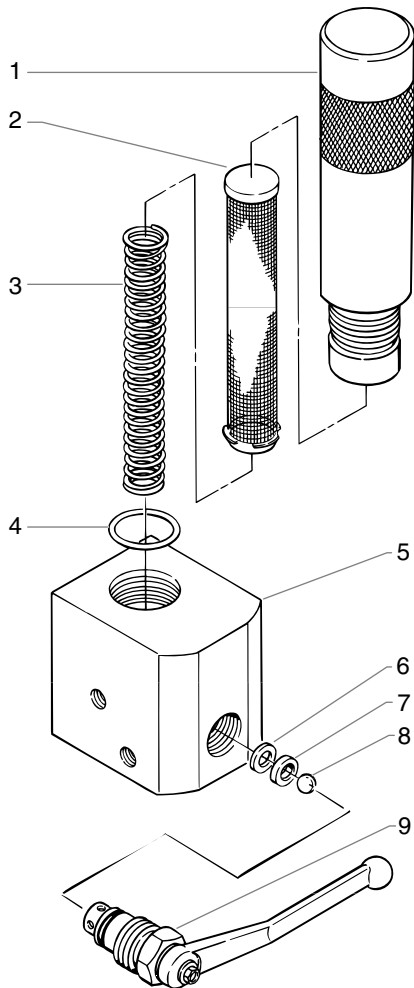
## Español

Artículo	Pieza #	Descripción	Cantidad
1	0294319	Tuerca de empaquetadura (par de torsión hasta de 25 pie./lb.).....	1
2	0294377	Adaptador hembra superior.....	1
3	08180	Empaques, UHMWPE.....	3
4	00078	Empaques, carnaza.....	2
5	0294376	Adaptador macho superior.....	1
6	0294379	Resorte de onda.....	1
7	00302	Tuerca de seguridad.....	1
8	0294318	Cilindro.....	1
9	13364	Resorte de onda.....	1
10	0294316	Varilla del pistón.....	1
11	0294326	Adaptador macho inferior.....	1
12	08070	Empaques inferiores, UHMWPE.....	3
13	09091	Empaques inferiores, carnaza.....	2
14	0294375	Adaptador hembra inferior.....	1
15	13458	Disco tope de bola superior.....	1
16	13357	Jaula de bola superior.....	1
17	50164	Bola superior.....	1
18	13359	Asiento de bola superior.....	1
19	09446	Rondana.....	1
20	13481	Retenedor del asiento del pistón (par de torsión hasta de 250 pulg./lbs.).....	1
21	13482	Tuerca de presión (par de torsión hasta de 200 pulg./lbs.) .....	1
22	13381	Aro-sello superior.....	1
23	13380	Disco tope de bola inferior.....	1
24	51519	Bola inferior.....	1
25	00311	Jaula de la bola inferior.....	1
26	00310	Asiento de la bola inferior.....	1
27	00203	Aro-sello inferior.....	1
28	13403	Cámara de la válvula de entrada (par de torsión hasta de 40 pies/lbs.).....	1

**NOTA:** El juego de empaquetadura, no. de pieza (P/N) 0294905, incluye los artículos marcados con asterisco (\*).

El juego de la válvula, no. de pieza (P/N) 0294689, incluye los artículos marcados con un una cruz (+).

**Filter/PRIME/SPRAY Valve Assembly •  
Filtre/Ensemble vanne AMORCAGE/  
PULVERISATION • Conjunto de la  
Válvula del Filtro/CEBAR/PINTAR  
(P/N 0294220)**



**English**

Item	Part #	Description	Quantity
1	0294194	Filter body .....	1
2	14069	Filter sieve (50 mesh) .....	1
	14068	Filter sieve (100 mesh, optional) .....	
3	9894245	Filter sieve support .....	1
4	14072	O-ring .....	1
5	0294555	Filter/valve head .....	1
6	0294499	Valve seal .....	1
7	0294516	Valve seat .....	1
8	9841502	Ball, 10mm .....	1
9	0294214	PRIME/SPRAY valve assembly (torque to 35 ft./lbs.) .....	1

**NOTE: Apply anti-sieze compound to the PRIME/SPRAY valve cartridge threads before reassembly.**

**CAUTION**

Turn and hold the PRIME/SPRAY valve cartridge handle in its counterclockwise position during reassembly to avoid damage to the valve seat

**Français**

Article	N° de pièce	Description	Quantité
1	0294194	Logement du filtre .....	1
2	14069	Tamis filtrant (maille de 50) .....	1
	14068	Tamis filtrant (maille de 100, en option) .....	
3	9894245	Support du tamis filtrant .....	1
4	14072	Joint torique .....	1
5	0294555	Tête de filtre/soupape .....	1
6	0294499	Joint de soupape .....	1
7	0294516	Siège de soupape .....	1
8	9841502	Bille, 10mm .....	1
9	0294214	Dispositif de soupape AMORCAGE/ PULVERISATION (Couple de 48 Nm (35 ft./lbs.)) .....	1

**NOTA: Avant le remontage, appliquer de l'anti-grippant sur la cartouche de soupape AMORCAGE/PULVERISATION.**

**ATTENTION**

Tourner et maintenir la cartouche AMORCAGE/PULVERISATION en position anti-horaire pendant le remontage pour éviter d'endommager le siège de la soupape.

**Español**

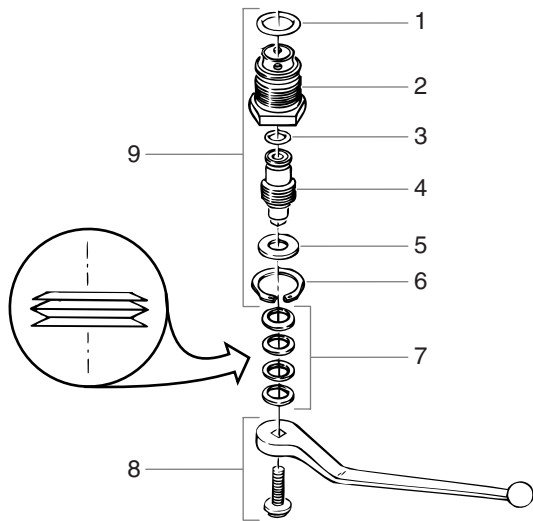
Artículo	Pieza #	Descripción	Cantidad
1	0294194	Cuerpo del filtro .....	1
2	14069	Criba del filtro (malla 50) .....	1
	14068	Criba del filtro (malla 100, opcional) .....	
3	9894245	Soporte de la criba del filtro .....	1
4	14072	Anillo en O .....	1
5	0294555	Filtro/Cabezal de la válvula .....	1
6	0294499	Sello de la válvula .....	1
7	0294516	Asiento de la válvula .....	1
8	9841502	Bola, 10mm .....	1
9	0294214	Conjunto de la válvula CEBAR/PINTAR (apretar con torque a 35 pies/lbs.) .....	1

**NOTA: Aplique compuesto anti-derrapante a las cuerdas del cartucho de válvula CEBAR/PINTAR antes de re-ensamblar.**

**PRECAUCION**

Voltee y sostenga el mango del cartucho de válvula CEBAR/PINTAR en su posición contraria a las manecillas del reloj durante el re-ensamblado para evitar daños al asiento de la válvula.

**PRIME/SPRAY Valve Cartridge • Dispositif de soupape AMORCAGE/ PULVERISATION • Conjunto de la Válvula CEBAR/PINTAR**



**English**

Item	Part #	Description	Quantity
1	9871046	O-ring	1
2	0294498	Body, PRIME/SPRAY valve	1
3	9871045	O-ring	1
4	0294500	Stem, PRIME/SPRAY valve	1
5	0294501	Washer	1
6	9822516	Retaining ring	1
7	0294788	Belleville washer	4
8	0294711	Handle	1
9	0508110	PRIME/SPRAY valve cartridge	1

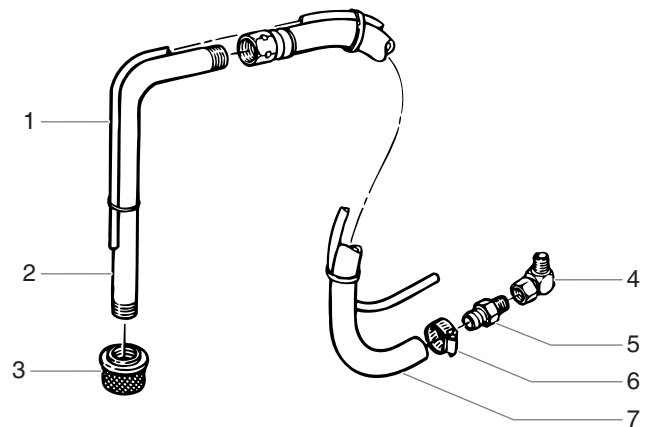
**Français**

Article	N° de pièce	Description	Quantité
1	9871046	Joint torique	1
2	0294498	Corps de soupape AMORCAGE/ PULVERISATION	1
3	9871045	Joint torique	1
4	0294500	Tige de soupape AMORCAGE/ PULVERISATION	1
5	0294501	Rondelle	1
6	9822516	Bague de retenue	1
7	0294788	Rondelle Belleville	4
8	0294711	Poignée	1
9	0508110	Cartouche de soupape AMORCAGE/PULVERISATION	1

**Español**

Artículo	Pieza #	Descripción	Cantidad
1	9871046	Anillo en O	1
2	0294498	Cuerpo, válvula de PINTAR/CEBAR	1
3	9871045	Anillo en O	1
4	0294500	Vástago, válvula CEBAR/PINTAR	1
5	0294501	Arandela	1
6	9822516	Anillo de retención	1
7	0294788	Arandela Belleville	4
8	0294711	Mango	1
9	0508110	Cartucho de válvula CEBAR/PINTAR	1

**Suction Set Assembly • Dispositif de succion • Conjunto del equipo de succión (P/N 0294185)**



**English**

Item	Part #	Description	Quantity
1	0294767	Return tube	1
2	13463	Siphon tube	1
3	02975	Intake screen	1
4	0090447	Elbow	1
5	13455	Fitting, Hose	1
6	53635	Clamp, Hose	1
7	0294426	Siphon hose	1

**Français**

Article	N° de pièce	Description	Quantité
1	0294767	Tube de renvoi	1
2	13463	Tube siphon	1
3	02975	Filtre d'entrée	1
4	0090447	Coude	1
5	13455	Raccord de boyau	1
6	53635	Collier de boyau	1
7	0294426	Boyau de siphon	1

**Español**

Artículo	Pieza #	Descripción	Cantidad
1	0294767	Tubo de retorno	1
2	13463	Tubo sifón	1
3	02975	Pantalla de entrada	1
4	0090447	Codo	1
5	13455	Conexión, manguera	1
6	53635	Abrazadera, manguera	1
7	0294426	Manguera del sifón	1

# Limited Warranty

## Commercial Airless Spray Equipment

### Two Year Warranty

Spray Tech, a division of Wagner Spray Tech Corporation ("Spray Tech"), warrants this product against defects in material and workmanship for a period of two years following the date of purchase by the original purchaser. During that period, Spray Tech will repair or replace any defective or worn-out component or, at Spray Tech's option, refund to the original purchaser the full purchase price for the product in exchange for the return of that product. However, Spray Tech will not replace or repair any fluid pump component on account of wear more than once during the two year warranty period. This warranty does not cover consumable products such as filters and tips.

### Lifetime Warranty on Gear Trains, Electric Motors, and Gas Engines

Spray Tech warrants any gear train, electric motor (excluding brushes) and gas engine (excluding the clutch) in this product against defects in material and workmanship for the lifetime of the original purchaser. If Spray Tech determines that the foregoing warranty has been breached, Spray Tech will repair or replace the defective components without charge or, at Spray Tech's option, refund to the original purchaser the full purchase price for the product in exchange for the return of that product.

### Warranty Claims

Any request for repair or replacement pursuant to the warranties above must be accompanied by the return of the applicable parts, with transportation charges prepaid, to a service center authorized by Spray Tech or to Wagner Spray Tech Corporation, 1770 Fernbrook Lane, Minneapolis, MN 55447.

### Limitation of Remedies

THE REMEDIES SET FORTH ABOVE ARE THE EXCLUSIVE REMEDIES AVAILABLE FOR BREACH OF EXPRESS AND IMPLIED WARRANTIES. These remedies shall not be deemed to have failed of their essential purpose so long as Spray Tech is willing to repair or replace parts, or to refund the purchase price, as set forth above.

### What Is Not Covered By This Warranty

This warranty does not cover defects or damages caused by:

- the use or installation of repair or replacement parts or accessories not manufactured by Spray Tech;
- repair performed by anyone other than a Spray Tech Authorized Service Center; or
- abuse, misuse, negligence, accident, faulty installation or tampering in a manner which impairs normal operation.

This warranty also does not cover equipment and accessories supplied to Spray Tech from an original equipment manufacturer, including but not limited to hoses, tips, and accessories. Spray Tech will provide the purchaser with copies of the original equipment manufacturer's express warranties provided to Spray Tech along with the name and address of the appropriate manufacturer.

### Limitation of Remedies

IN NO CASE SHALL SPRAY TECH BE LIABLE FOR ANY INCIDENTAL, SPECIAL OR CONSEQUENTIAL DAMAGES OR LOSS, INCLUDING TRANSPORTATION COSTS, WHETHER SUCH DAMAGES ARE BASED UPON A BREACH OF EXPRESS OR IMPLIED WARRANTIES, BREACH OF CONTRACT, NEGLIGENCE, STRICT TORT, OR ANY OTHER LEGAL THEORY.

### Disclaimer of Implied Warranties

THE FOREGOING WARRANTIES ARE IN LIEU OF ALL OTHER WARRANTIES, EXPRESS OR IMPLIED, INCLUDING BUT NOT LIMITED TO THE IMPLIED WARRANTIES OF MERCHANTABILITY AND FITNESS FOR A PARTICULAR PURPOSE.

### No Ability To Transfer

This warranty is extended to the original purchaser only and is not transferable.

#### SprayTECH 30-Day Satisfaction Guarantee

If, within a 30-day period from the date of purchase, you are not totally satisfied with a SprayTECH/CAPSpray unit, you may return it for full credit toward another SprayTECH or CAPSpray product of equal or greater value.

## Patents

These products are covered by one or more of the following U.S. patents:

5,234,592	D344,832	5,318,314	5,252,210	5,228,842	5,192,425	5,099,183
5,346,037	5,494,199	5,472,318	5,435,697	5,211,611	5,671,656	D384,676
5,282,722	4,992,633	5,725,364	5,769,321	5,848,566	D376,637	D387,414
D382,938	3,963,180	4,025,045	D405,159	D412,965	5,505,381	5,765,753
5,887,793	5,893,522					

### SprayTECH®

1770 Fernbrook Lane  
Minneapolis, Minnesota 55447  
Telephone 1-800-292-4637

# Garantie limitée

## Équipement commercial de pulvérisation sans air

### Garantie de deux ans

Spray Tech, une division de Wagner Spray Tech Corporation ("Spray Tech") garantit ce produit contre les défauts de matière et de main-d'œuvre pour une période de deux ans suivant la date d'achat par le premier acheteur. Pendant cette période, Spray Tech s'engage à réparer ou à remplacer tout composant défectueux ou usé ou, selon décision de Spray Tech, à rembourser au premier acheteur le prix d'achat entier du produit en échange du retour de ce produit. Cependant, Spray Tech ne remplacera pas ni ne réparera tout composant de la pompe pour cause d'usure, plus de une fois qu' pendant la période de garantie de deux ans. Cette garantie ne couvre pas les produits d'usure normale tels que les filtres et les buses.

### Garantie à vie pour les trains d'engrenage, les moteurs électriques et les moteurs à gaz.

Spray Tech garantit tout train d'engrenage, tout moteur électrique (à l'exclusion des balais) et tout moteur à gaz (à l'exclusion de l'embrayage) contenu dans ce produit contre les défauts de matière et de main-d'œuvre pour toute la durée de vie de l'achat par l'acheteur original. Au cas où Spray Tech constate que la garantie ci-dessus a été transgressée, Spray Tech s'engage à réparer ou à remplacer le composant défectueux sans frais ou, selon décision de Spray Tech, à rembourser au premier acheteur le prix d'achat entier du produit en échange du retour de ce produit.

### Réclamations sous garantie

Toute demande de réparation ou de remplacement en application des garanties ci-dessus doit être accompagnée du retour des pièces incriminées, avec frais de transport prépayés, à un centre de service agréé par Spray Tech ou à Wagner Spray Tech Corporation, 1770 Fernbrook Lane, Minneapolis, MN 55447.

### Limitation des recours

LES RECOURS INDIQUÉS CI-DESSUS SONT LES RECOURS EXCLUSIFS EN CAS D'INEXÉCUTION DES GARANTIES EXPRESSES ET IMPLICITES. Ces recours ne seront pas réputés comme ayant transgressé leur objet essentiel aussi longtemps que Spray Tech accepte de réparer ou de remplacer les pièces ou de rembourser le prix d'achat, tel qu'indiqué ci-dessus.

### Ce qui n'est pas couvert par cette garantie

Cette garantie ne couvre pas les défauts ou les dommages provoqués par :

- l'utilisation ou le montage de pièces réparées ou de pièces de remplacement ou d'accessoires non fabriqués par Spray Tech ;
- toute réparation non effectuée par un Centre de Service agréé par Spray Tech; ou
- tout abus, mauvaise utilisation, négligence, accident, montage défectueux ou tentative d'altération portant atteinte au fonctionnement normal.

De même, cette garantie ne couvre pas les équipements et les accessoires fournis à Spray Tech par un fabricant d'équipements originaux, y compris mais non limité aux flexibles, buses et accessoires. Spray Tech fournira à l'acheteur des copies des garanties expresses du fabricant d'équipements originaux remises à Spray Tech, ainsi que le nom et l'adresse du fabricant approprié.

### Limitation des recours

EN AUCUN CAS SPRAY TECH NE SERA TENU POUR RESPONSABLE DES DOMMAGES OU PERTES FORTUITS, PARTICULIERS OU CONSÉCUTIFS, Y COMPRIS LES FRAIS DE TRANSPORT, QUE DE TELS DOMMAGES SOIENT BASÉS SUR L'INEXÉCUTION DES GARANTIES EXPRESSES OU IMPLICITES, L'INEXÉCUTION DU CONTRAT, UNE NÉGLIGENCE, UNE RESPONSABILITÉ DÉLICTEUSE STRICTE OU TOUT AUTRE PRINCIPE DE DROIT.

### Renonciation aux garanties implicites

LES GARANTIES CI-DESSUS REMPLACENT TOUTE AUTRE GARANTIE EXPRESSE OU IMPLICITE, Y COMPRIS MAIS NON LIMITÉ AUX GARANTIES IMPLICITES DE COMMERCIALISABILITÉ ET DE CONFORMITÉ A UN USAGE PARTICULIER.

### Interdiction de transmission

Cette garantie est accordée uniquement à l'acheteur original et elle n'est pas transmissible.

#### Garantie de satisfaction 30 jours de SprayTECH

Si, au cours des 30 jours suivant l'achat, vous n'êtes pas totalement satisfait d'un appareil SprayTECH/CAPSpray, vous pouvez le renvoyer et obtenir un crédit complet contre un autre produit SprayTECH ou CAPSpray de valeur égale ou supérieure.

## Brevets

Ces produits sont protégés par un ou plusieurs des brevets (U.S.A.) suivants :

5,234,592	D344,832	5,318,314	5,252,210	5,228,842	5,192,425	5,099,183
5,346,037	5,494,199	5,472,318	5,435,697	5,211,611	5,671,656	D384,676
5,282,722	4,992,633	5,725,364	5,769,321	5,848,566	D376,637	D387,414
D382,938	3,963,180	4,025,045	D405,159	D412,965	5,505,381	5,765,753
5,887,793	5,893,522					

### SprayTECH®

1770 Fernbrook Lane  
Minneapolis, Minnesota 55447  
Telephone 1-800-292-4637

# Garantía Limitada

## Equipo Rociador Comercial Sin Aire

### Garantía de Dos Años

Spray Tech, una división de Wagner Spray Tech Corporation ("Spray Tech"), garantiza este producto contra defectos de materiales y de fabricación por un período de dos años a contar de la fecha de adquisición por el comprador original. Durante este período, Spray Tech reparará o reemplazará cualquier componente defectuosa o desgastada o, por decisión de Spray Tech, devolverá el total del precio pagado por el producto a su comprador original, a cambio de la devolución del producto. Sin embargo, Spray Tech no reemplazará o reparará ningún componente de la bomba de fluido a causa del desgaste más de una vez durante el período de garantía de dos años. Esta garantía no cubre productos de consumo tales como filtros y puntas.

### Garantía de por vida en trenes de engranajes, motores eléctricos y motores a gas

Spray Tech garantiza de por vida, al comprador original, los trenes de engranaje, motores eléctricos (excluyendo las escobillas) y motores a gas (excluyendo el embrague) de este producto contra defectos de material y fabricación. Si Spray Tech determina que la garantía mencionada ha sido quebrantada, reparará o reemplazará sin costo las componentes defectuosas o, en su defecto podrá decidir devolver al comprador original el total del precio de compra del producto a cambio de la devolución de él.

### Reclamos de garantía

Cualquier solicitud de reparación o reemplazo de acuerdo con la garantía precedente deberá ser acompañada por el envío de las piezas defectuosas correspondientes, incluyendo el pago previo de los costos de transporte, a un centro de servicio autorizado por Spray Tech o a Wagner Spray Tech Corporation, 1770 Fernbrook Lane, Minneapolis, MN 55447.

### Limites de recursos

LOS RECURSOS INDICADOS ANTERIORMENTE SON LOS UNICOS RECURSOS DISPONIBLES ANTE EL INCUMPLIMIENTO DE GARANTIAS EXPRESAS E IMPLICITAS. Estos recursos no deberán considerarse como faltantes a su propósito esencial mientras Spray Tech esté dispuesta a reparar o reemplazar las partes, o a devolver el precio de compra, como se indica más arriba.

### Qué no está Cubierto por esta Garantía

Esta garantía no cubre defectos o daños causados por:

- El empleo o instalación de partes de repuesto o reemplazo o accesorios no fabricados por Spray Tech;
- reparaciones realizadas por cualquier servicio distinto al Centro de Servicio Autorizado por Spray Tech; o
- abuso, mal uso, negligencia, accidente, instalación defectuosa, o manipulación de manera que deteriora la operación normal.

Esta garantía tampoco cubre los equipos y accesorios suministrados a Spray Tech por otro fabricante de equipos originales, incluyendo pero no limitadas a las mangueras, puntas y accesorios. Spray Tech proveerá al comprador de copias de las garantías entregadas a Spray Tech por el fabricante de equipos originales, junto con el nombre y dirección del fabricante correspondiente.

### Limites de recursos

EN NINGUN CASO SERA SPRAY TECH RESPONSABLE POR NINGUN DAÑO O PERDIDA ACCIDENTAL, ESPECIAL O CONSECUENCIAL, INCLUYENDO LOS COSTOS DE TRANSPORTE, SI TALES DAÑOS SE BASAN EN UN INCUMPLIMIENTO

DE GARANTIAS EXPRESAS O IMPLICITAS, INCUMPLIMIENTO DE CONTRATOS, NEGLIGENCIA, AGRAVIO ESTRICTO, O CUALQUIER OTRA VERSION LEGAL.

### Renuncia de Garantías Implícitas

LAS GARANTIAS ANTERIORES SUBSTITUYEN A TODAS LAS OTRAS GARANTIAS, EXPRESAS O IMPLICITAS, INCLUYENDO PERO NO LIMITADAS A LAS GARANTIAS IMPLICITAS DE COMERCIALIZACION E INTERPRETACION PARA UN PROPOSITO PARTICULAR.

### Garantía Intransferible

Esta garantía se extiende sólo al comprador original y no es transferible.

#### Garantía de Satisfacción SprayTECH por 30-Días

ISI, dentro de un período de 30-días de la fecha de compra, usted no está totalmente satisfecho con una unidad SprayTECH/CAPSpray, puede regresarla y recibir un crédito total hacia otro producto SprayTECH o CAPSpray de igual o mayor valor.

## Patentes

Estos productos están protegidos por una de las siguientes patentes (U.S.A.):

5,234,592	D344,832	5,318,314	5,252,210	5,228,842	5,192,425	5,099,183
5,346,037	5,494,199	5,472,318	5,435,697	5,211,611	5,671,656	D384,676
5,282,722	4,992,633	5,725,364	5,769,321	5,848,566	D376,637	D387,414
D382,938	3,963,180	4,025,045	D405,159	D412,965	5,505,381	5,765,753
5,887,793	5,893,522					

**SprayTECH®**

1770 Fernbrook Lane  
Minneapolis, Minnesota 55447  
Telephone 1-800-292-4637

**SprayTECH®**

Español

46

© SprayTECH Corporation. Todos los derechos reservados.



**SprayTECH**  
 1770 Fernbrook Lane  
Minneapolis, MN 55447



## Free Manuals Download Website

<http://myh66.com>

<http://usermanuals.us>

<http://www.somanuals.com>

<http://www.4manuals.cc>

<http://www.manual-lib.com>

<http://www.404manual.com>

<http://www.luxmanual.com>

<http://aubethermostatmanual.com>

Golf course search by state

<http://golfingnear.com>

Email search by domain

<http://emailbydomain.com>

Auto manuals search

<http://auto.somanuals.com>

TV manuals search

<http://tv.somanuals.com>