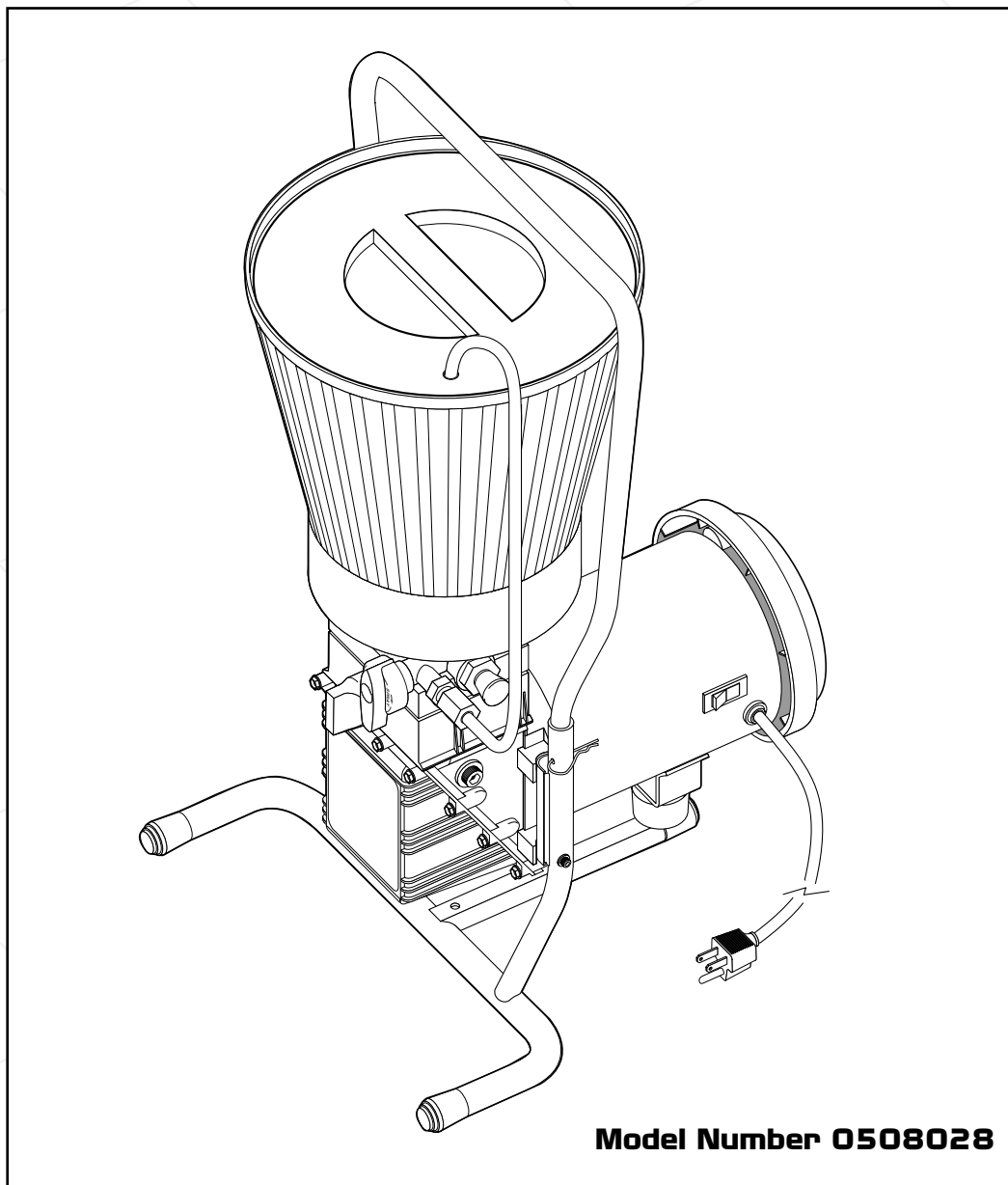


ED655 Airless Pump

Owner's Manual · Notice d'utilisation · Manual del Proprietario



SprayTECH®
BUILT TO WORK AS HARD AS YOU™

SprayTECH
1770 Fernbrook Lane
Minneapolis, MN 55447

Table of Contents

Components	2
General Description	2
Specifications	2
Safety Precautions	3-4
Grounding Instructions	4
Setup	5
Attaching the Handle	5
Attaching the Paint Hose	5
Attaching the Tip	5
Pressure Relief Procedure	6
Priming	6-7
Preparing to Prime	6
Mounting the Paint Hopper	7
Attaching the Return Tube	7
Priming the Pump	7
Spraying	8
Spraying Technique	8
Practice	8
Cleanup	9-10
Overnight Storage	9
Long-Term Storage	9-10
Maintenance	11-12
Removing and Cleaning the Inlet Valves	11
Removing and Cleaning the Outlet Valve	11
Cleaning the Spray Tip	12
Cleaning the Filter	12
Replacing the Valve Spring Unit	12
Choosing the Correct Spray Gun Filter	12
Cleaning the Hopper Screen	12
Tightening the PRIME/SPRAY knob	12
Troubleshooting	13
Parts Listings	38-41
Final Assembly	38
Hopper Assembly	39
Paint Pump Assembly	40
G-10 Spray Gun	41
Français	14
Español	26
Warranty	42

Components

The shipping carton for your painting system contains the following:

- Stand, motor, and pump attached
- Handle and two handle pins
- Paint hopper and return tube
- Spray gun and filter
- Spray tip and gasket
- Pressure hose

The following are located in the literature set with this owner's manual:

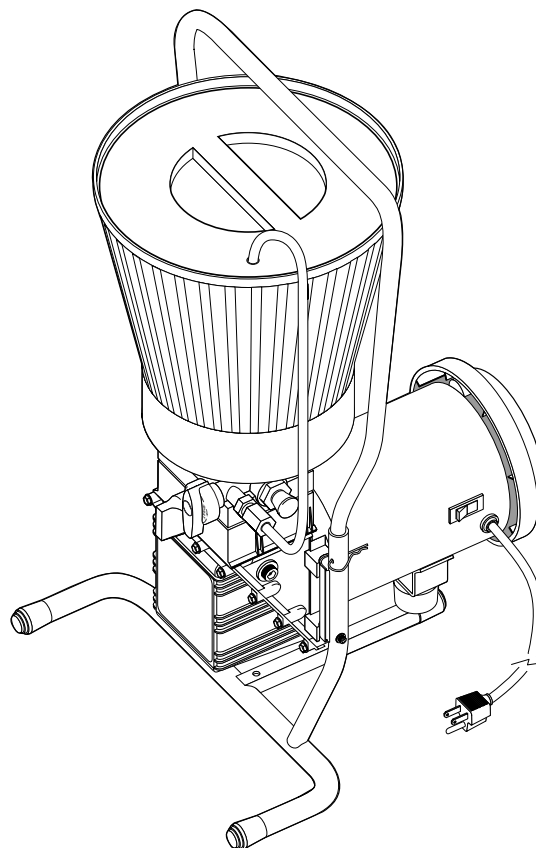
- Registration card

General Description

This high performance airless sprayer is a precision power tool used for spraying many types of materials. Read and follow this instruction manual carefully for proper operating instructions, maintenance and safety information.

Specifications

- Weight 27 lbs.
- Capacity Up to .35 gallon (1.25 liters) per minute.
- Power source Electric motor, totally enclosed, fan cooled.
- Power requirement 15 amp minimum circuit on 115 VAC, 60 Hz current.
- Generator 15 amp A/C.
- Spraying pressure Up to 2600 psi.
- Safety features Spray gun trigger lock and pressure diffuser; built-in tip safety guard; priming knob for safe pressure release.
- Portability Compact design, light weight for easy movement.
- Capability Sprays a variety of paints, oil base latex, primers, stains, preservatives and other nonabrasive materials, including pesticides and liquid fertilizers.



Safety Precautions

This manual contains information which must be read and understood before using the equipment. When you come to an area which has one of the following symbols, pay particular attention and make certain to heed the safeguard.



This symbol indicates a potential hazard which may cause serious injury or loss of life. Important safety information will follow.



This symbol indicates a potential hazard to you or to the equipment. Important information that tells how to prevent damage to the equipment or how to avoid causes of minor injuries will follow.

NOTE: Notes give important information which should be given special attention.



This unit is provided with a thermally protected automatic reset. If an overload occurs the thermally protected automatic reset disconnects the motor from the power supply.

- The motor will restart without warning when the protector automatically resets.
- Always disconnect the motor from the power supply before working on the equipment.
- When the thermally protected automatic reset disconnects the motor from the power supply, relieve pressure by turning the priming valve to PRIME.
- Turn the ON/OFF switch to OFF.

NOTE: The cause of the overload should be corrected before restarting. See TROUBLESHOOTING.



HAZARD: Injection injury - A high pressure stream of paint produced by this equipment can pierce the skin and underlying tissues, leading to serious injury and possible amputation.

DO NOT TREAT AN INJECTION INJURY AS A SIMPLE CUT! Injection can lead to amputation. See a physician immediately.

The maximum operating range of the gun is 2800 PSI fluid pressure.

PREVENTION:

- NEVER aim the gun at any part of the body.
- NEVER allow any part of the body to come in contact with the fluid stream. DO NOT come in contact with a fluid stream created by a leak in the fluid hose.
- NEVER put your hand in front of the gun. Gloves will not provide protection against an injection injury.

- ALWAYS lock the gun trigger, shut the fluid pump off and release all pressure before servicing, cleaning the tip guard, changing tips, or leaving unattended. Pressure will not be released by turning off the engine. The PRIME/SPRAY knob must be turned to PRIME to relieve the pressure. Refer to the PRESSURE RELIEF PROCEDURE described in this manual.
- ALWAYS have the tip guard in place while spraying. The tip guard provides some protection against injection injuries but is mainly a warning device.
- ALWAYS remove the spray tip before flushing or cleaning the system.
- Inspect the paint hose before each use. The paint hose can develop leaks from wear, kinking and abuse. A leak is capable of injecting material into the skin.
- NEVER use a spray gun which does not have a trigger lock or trigger guard in place and in working order.
- All accessories must be rated at or above 2800 PSI. This includes spray tips, guns, extensions, and hose.

NOTE TO PHYSICIAN:

Injection into the skin is a traumatic injury. It is important to treat the injury surgically as soon as possible. DO NOT delay treatment to research toxicity. Toxicity is a concern with some coatings injected directly into the blood stream. Consultation with a plastic surgeon or reconstructive hand surgeon may be advisable.

HAZARD: EXPLOSION OR FIRE - Solvent and paint fumes can explode or ignite, causing property damage and/or severe injury.

PREVENTION:

- Exhaust and fresh air introduction must be provided to keep the air within the spray area free from accumulation of flammable vapors.
- Avoid all ignition sources such as static electricity sparks, open flames, pilot lights, hot objects, cigarettes, and sparks from connecting and disconnecting power cords or working light switches.
- Fire extinguishing equipment must be present and in good working order.
- Keep the pump away from the spray area to avoid solvent and paint fumes.
- High velocity flow of material through equipment may develop static electricity. The equipment being used, as well as objects in and around the spray area must be properly grounded to prevent static discharge and sparks.
- Use only conductive or grounded high pressure fluid hoses for airless applications. Be sure that the gun is grounded properly through hose connections.
- Follow the material and solvent manufacturer's safety precautions and warnings.
- When flushing equipment use the lowest possible pressure.

HAZARD: EXPLOSION HAZARD DUE TO INCOMPATIBLE MATERIALS - May cause property damage or severe injury.

PREVENTION:

- Do not use bleach.
- Do not use Halogenated hydrocarbon solvents such as methylene chloride and 1,1,1 - trichloroethane. They are not compatible with aluminum and may cause an explosion. If you are unsure of a material's compatibility with aluminum, contact your coating's supplier.

⚠ WARNING

HAZARD: HAZARDOUS VAPORS - Paints, solvents, insecticides, and other materials may be harmful if inhaled, causing severe nausea, fainting, or poisoning.

PREVENTION:

- Use a respirator or mask whenever there is a chance that vapors may be inhaled. Read all instructions with the mask to ensure that it will provide the necessary protection against the inhalation of harmful vapors.

HAZARD: GENERAL - May cause property damage or severe injury.

PREVENTION:

- Read all instructions and safety precautions before operating any equipment.
- Comply with all appropriate local, state, and national codes governing ventilation, fire prevention, and operation.
- The United States Government Safety Standards have been adopted under the Occupational Safety and Health Act (OSHA). These standards, particularly part 1910 of the General Standards and part 1926 of the Construction Standards should be consulted.
- This high pressure airless pump is designed to be used with manufacturer authorized parts only. When using this pump with parts that do not comply with the minimum specifications and safety devices of the pump manufacturer, the user assumes all risks and liabilities.
- Before each use, check all hoses for cuts, leaks, abrasion or bulging of cover, as well as damage or movement of couplings. If any of these conditions exist, replace the hose immediately. Never repair a paint hose. Replace it with another grounded hose.
- All hoses, swivels, guns, and accessories used with this unit must be pressure rated at or above 2800 PSI.
- Do not spray on windy days.

⚠ CAUTION

Use only a 3-wire extension cord that has a 3-blade grounding plug and a 3-slot receptacle that will accept the plug on the product. Make sure your extension cord is in good condition. When using an extension cord, be sure to use one heavy enough to carry the current your product will draw. An undersized cord will cause a drop in line voltage resulting in loss of power and overheating. A 14 or 12 gauge cord is recommended.

NOTE: Do not use more than 100 feet of extension cord. If you need to paint further than 100 feet from your power source, use more paint hose, not more extension cord. Shorter extension cords will ensure maximum electrical power for proper operation.

Grounding Instructions

This product must be grounded. In the event of an electrical short circuit, grounding reduces the risk of electric shock by providing an escape wire for the electric current. This product is equipped with a cord having a grounding wire with an appropriate grounding plug. The plug must be plugged into an outlet that is properly installed and grounded in accordance with all local codes and ordinances.

⚠ WARNING

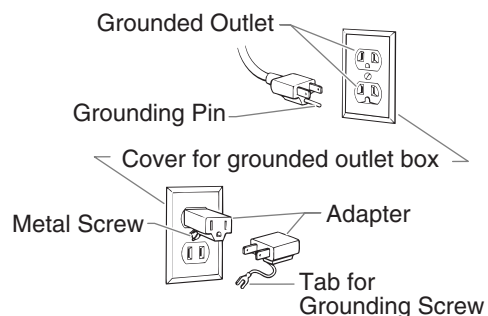
Improper installation of the grounding plug can result in a risk of electric shock.

If repair or replacement of the cord or plug is necessary, do not connect the green grounding wire to either flat blade terminal. The wire with insulation having a green outer surface with or without yellow stripes is the grounding wire and must be connected to the grounding pin.

Check with a qualified electrician or serviceman if the grounding instructions are not completely understood, or if you are in doubt as to whether the product is properly grounded. Do not modify the plug provided. If the plug will not fit the outlet, have the proper outlet installed by a qualified electrician.

This product is for use on a nominal 120 volt circuit and has a grounding plug that looks like the plug illustrated below. A temporary adapter which looks like the adapter illustrated in the figure below may be used to connect this plug to a 2 pole receptacle as shown if a properly grounded outlet is not available.

The temporary adapter should be used only until a properly grounded outlet as shown below can be installed by a qualified electrician. The green colored rigid ear lug or the grounding wire extending from the adapter must be connected to a permanent ground such as a properly grounded outlet box cover. Whenever the adapter is used, it must be held in place by a metal screw.

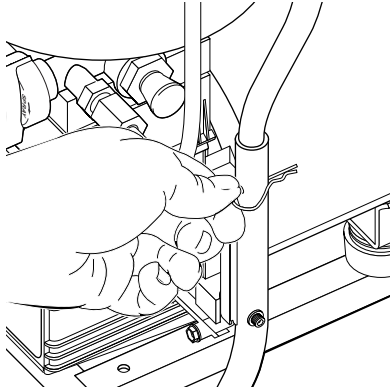


Setup

Attaching the Handle

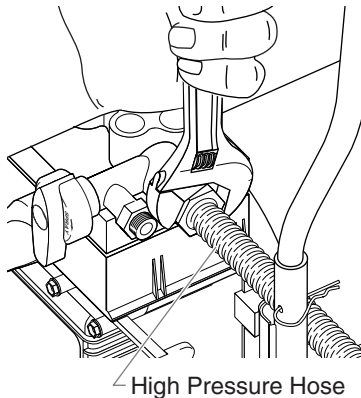
NOTE: The sprayer should remain unplugged during assembly.

1. Slide the handle into the stand until the holes on the handle line up with the holes in the stand.
2. Slide the handle pins through the holes in the stand and the handle to secure the handle in position.

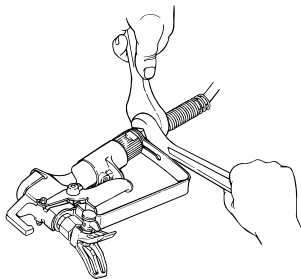


Attaching the Paint Hose

1. Attach the high pressure hose to the paint hose port. Use a wrench to tighten the paint hose securely.



2. Attach the gun to the other end of the high pressure hose. Tighten securely with two wrenches.



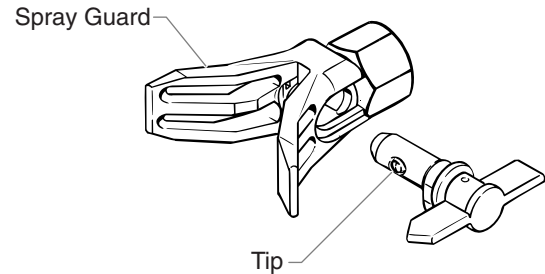
3. Plug the sprayer into a properly grounded outlet or heavy duty grounded extension cord. Do not use more than 100 feet of cord. If you must spray a long distance from a power source, use more paint hose, not more extension cords. Use a minimum size of 16 gauge for power extension cords up to 50 feet in length, or 12 to 14 gauge for power extension cords between 50 and 100 feet in length.

Attaching the Tip

Assembling the Tip

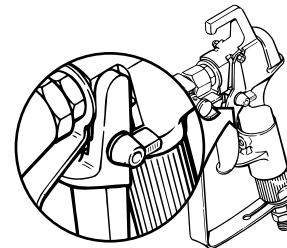
If the spray tip is disassembled:

1. Insert the tip into the spray guard and turn the tip to the spray position so that the arrow is facing toward the front of the spray gun.



Attaching the Tip to the Gun

1. Lock the gun by turning the gun trigger lock so that it is parallel to the gun body.



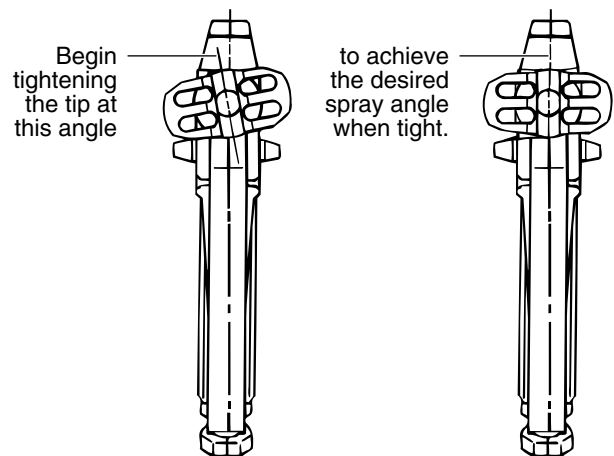
Gun locked OFF
(gun will not spray)

WARNING

POSSIBLE INJECTION HAZARD. Do not spray without the tip guard in place. Never trigger the gun unless the tip is in either the spray or the unclog position. Always engage the gun trigger lock before removing, replacing, or cleaning tip.

2. Thread the spray tip onto the gun. Tighten the nut by hand first, then tighten more firmly with a wrench.

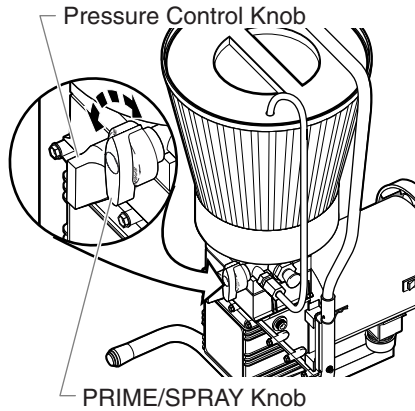
NOTE: When attaching the tip to the gun, align the tip guard as shown in the figure below, then tighten with a wrench.



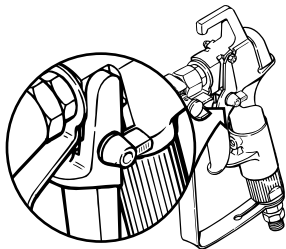
Pressure Relief Procedure

Follow this procedure after the unit is assembled and before any operation which involves the spray gun such as cleaning and maintenance or changing tips or accessories.

1. Turn the pressure control knob counterclockwise to its lowest setting.



2. Turn the PRIME/SPRAY knob to PRIME.
3. Trigger the gun to remove any pressure which may still be in the hose.
4. Lock the gun by turning the gun trigger lock so that it is parallel to the gun body.



Gun locked OFF
(gun will not spray)

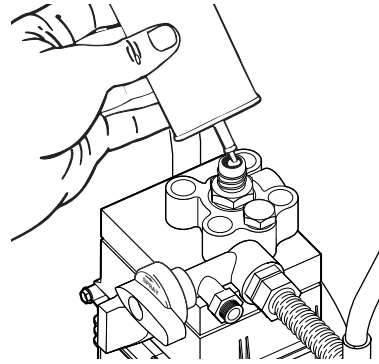
⚠ WARNING

Injection hazard. Do not spray without the tip guard in place. NEVER trigger the gun unless the tip is completely turned to either the spray or the unclog position. ALWAYS engage the gun trigger lock before removing, replacing or cleaning tip.

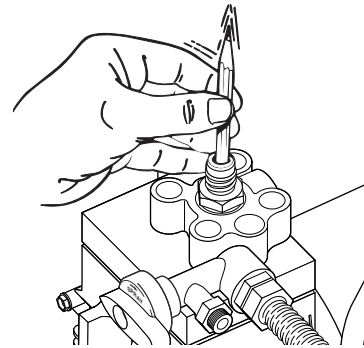
Priming

Preparing to Prime

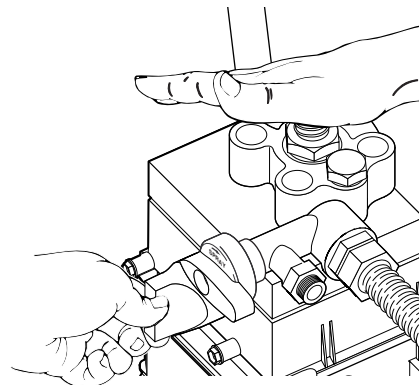
1. Fill the inlet valve with water or with a light household oil.



2. Make certain that the PRIME/SPRAY knob is set to PRIME and that the pressure control knob is turned counterclockwise to the lowest pressure setting.
3. Turn the motor switch to ON.
4. Increase the pressure by turning the pressure control knob clockwise 1/2 turn.
5. Force the inlet valve to open and close by pushing on it with a screwdriver or the eraser end of a pencil. It should move up and down about 1/16 of an inch. Continue until water or oil is sucked into the sprayer. This will wet the moving parts and break loose any old paint residue.



6. Put the palm of your hand over the inlet. Turn the pressure control knob clockwise to its maximum setting. You should feel suction coming from the inlet valve. If you do not, see the section on cleaning and servicing the outlet valve.



7. Turn the pressure control knob counterclockwise to the minimum pressure setting.
8. Turn the motor switch to OFF.

Mounting the Paint Hopper

1. Align the bottom of the paint hopper with the threaded inlet valve on the paint pump block.
2. Turn the paint hopper clockwise to thread it onto the inlet valve. Continue to turn the paint hopper until it is secure on the inlet valve.

NOTE: Make sure the threads are straight and the hopper turns freely on the inlet valve. Do not cross-thread.

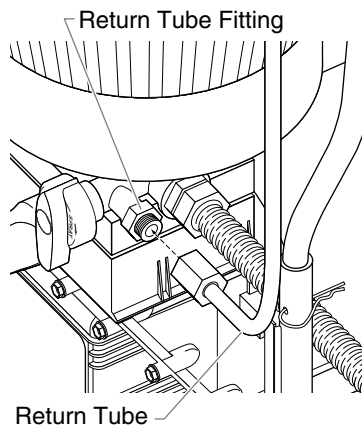
3. Place the filter screen into the bottom of the paint hopper and snap it in position.

Attaching the Return Tube

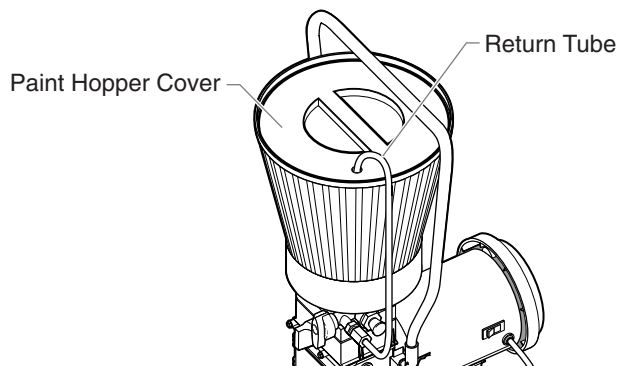
1. Make sure that the motor switch is turned to OFF.
2. Screw the return tube fitting found in the literature set into the return tube port on the side of the pump and tighten firmly by hand.

NOTE: Do not over-tighten. Hand-tighten only. Some threads will be visible even when fully tightened.

3. Place the straight end of the return tube into the return tube fitting.

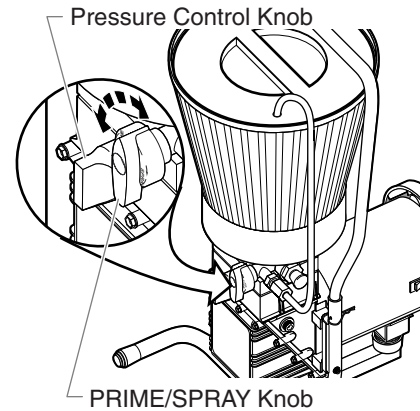


4. Thread the nut on the return tube onto the return tube fitting and tighten until the return tube is secure.
5. Place the hook end of the return tube into the hole in the paint hopper cover.



Priming the Pump

1. Turn the pressure control knob counterclockwise to its lowest pressure setting.



2. Turn the PRIME/SPRAY knob to PRIME.
3. Turn the motor switch to ON.
4. Turn the pressure control knob clockwise to between half and full pressure. You should see the paint move through the suction tube to the pump. Let the unit prime 1 to 2 minutes after paint begins to flow through the return tube.

CAUTION

Always reduce the pressure to zero before changing the position of the priming knob. Failure to do so may cause damage to the paint pump diaphragm.

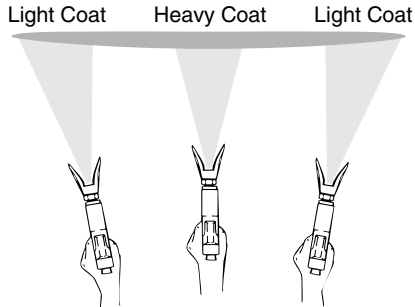
CAUTION

If the pressure control knob is reduced to zero and the PRIME/SPRAY knob is still on SPRAY while the sprayer is operating, there will be high pressure in the hose and spray gun until the priming knob is turned to PRIME or until the spray gun is triggered to relieve the pressure.

Spraying

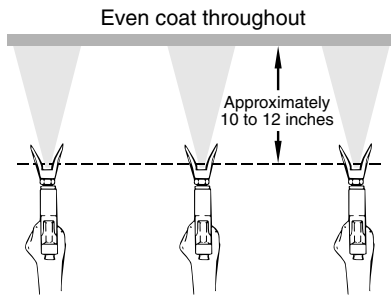
Spraying Technique

The key to a good paint job is an even coating over the entire surface. This is done by using even strokes. Keep your arm moving at a constant speed and keep the spray gun at a constant distance from the surface. The best spraying distance is 10 to 12 inches between the spray tip and the surface.



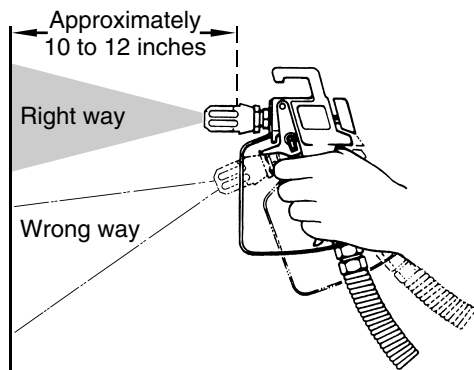
Do not flex wrist while spraying.

Keep the spray gun at right angles to the surface. This means moving your entire arm back and forth rather than just flexing your wrist.

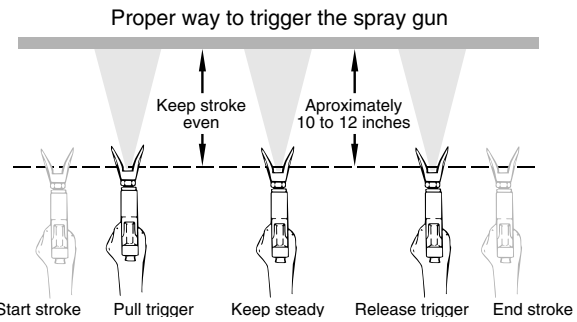


Keep stroke smooth and at an even speed.

Keep the spray gun perpendicular to the surface, otherwise one end of the pattern will be thicker than the other.



The spray gun should be triggered by turning it on and off with each stroke. This will save paint and avoid paint buildup at the end of the stroke. Do not trigger the gun during the middle of a stroke. This will result in an uneven spray and splotchy coverage.



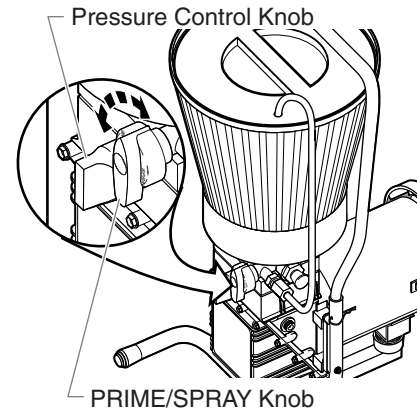
Overlap each stroke by about 30%. This will ensure an even coating.

When you stop painting, lock the gun trigger lock, turn the pressure control knob counterclockwise to its lowest setting and set the priming knob to PRIME. Turn the motor switch to OFF and unplug the sprayer.

If you expect to be gone more than 1 hour, follow the short term clean up procedure described in the CLEANUP section of this manual.

Practice

1. Be sure that the paint hose is free of kinks and clear of objects with sharp cutting edges.
2. Turn the pressure control knob counterclockwise to its lowest setting.



3. Turn the PRIME/SPRAY knob to SPRAY.
4. Turn the pressure control knob clockwise to its highest setting. The paint hose should stiffen as paint begins to flow through it.
5. Unlock the gun trigger lock by turning the switch so that it is parallel to the handle.
6. Trigger the spray gun to bleed air out of the hose.
7. When paint reaches the spray tip, spray a test area to check the spray pattern.
8. Use the lowest pressure setting necessary to get a good spray pattern. If the pressure is set too high, the spray pattern will be too light. If the pressure is set too low, tailing will appear or the paint will spatter out in gobs rather than in a fine spray.



Good spray pattern



Paint tailing pattern

Cleanup

Overnight Storage

Shutdown

1. Lock the gun by turning the gun trigger lock parallel with the gun body.
2. Turn the pressure control knob counterclockwise to the minimum setting.
3. Turn the PRIME/SPRAY knob to PRIME.
4. Turn the motor switch to OFF and unplug the sprayer.
5. For latex materials only, pour 1/2 cup water slowly on the top of the paint to prevent the paint from drying. For other materials, seal the paint hopper with the hopper cover keeping the return tube in the paint.



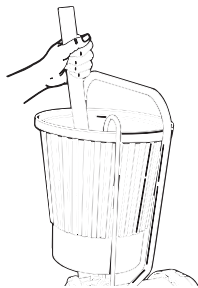
6. Wrap the spray gun assembly in a damp cloth and place it in a plastic bag. Seal the bag shut.



7. Place the sprayer in a safe place out of the sun for short-term storage.

Startup

1. Remove the gun from the plastic bag.
2. Stir the water into the paint for latex materials. Remove the hopper cover from the paint hopper and stir the paint for all other materials.



3. Check to be sure that the PRIME/SPRAY knob is set to PRIME and that the pressure is completely reduced.
4. Plug sprayer in and turn the motor switch to ON.
5. Turn the PRIME/SPRAY knob to SPRAY and gradually turn the pressure control knob clockwise to increase the pressure.
6. Test the sprayer on a practice piece and begin spraying.

Long-Term Storage

⚠ WARNING

Do not allow paint to build up on the motor or the motor will overheat. Do not allow flammable solvents to come in contact with the motor or they could ignite.

NOTE: You will need a bucket, cleaning solution, a toothbrush, a wrench and cleaning rags.

NOTE: If spraying with latex paint, use warm soapy water for cleaning. If using oil or alkyd-based paints, use mineral spirits or paint thinner.

⚠ CAUTION

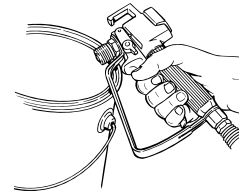
Do not use mineral spirits or paint thinner on latex paint, or the mixture will turn into a jelly-like substance which is difficult to remove.

Clearing the Paint Hopper

1. Lock the gun by turning the gun trigger lock parallel with the gun body.
2. Turn the pressure control knob counterclockwise to the minimum setting.
3. Turn the PRIME/SPRAY knob to PRIME.
4. Turn the motor switch to OFF and unplug the sprayer.
5. Direct the return tube into the original paint bucket.
6. Plug the sprayer in and turn the motor switch to ON.
7. Turn the pressure control knob to 1/2 maximum pressure. This will draw the remaining paint in the paint hopper through the pump, up the return tube, and into the paint bucket.
8. Turn the pressure control knob counterclockwise to the minimum pressure setting.
9. Trigger the gun to relieve pressure and lock the gun.
10. Remove the spray tip and guard and place them into a container of water or appropriate solvent for the type of material with which you are painting.
11. Fill the paint hopper with water or an appropriate solvent for the type of material with which you are painting.
12. Increase the pressure to 1/2 the maximum pressure. Let the water or solvent circulate for 2-3 minutes to flush paint out of the pump, the paint hopper, and the return tube.

Clearing the Paint Hose

1. To save paint left in the hose, release the gun trigger lock and carefully trigger the gun with the spray tip removed against the inside of the paint container.



2. Turn the pressure control knob counterclockwise to the minimum pressure setting.
3. Turn the PRIME/SPRAY knob to SPRAY.
4. Turn the pressure control knob slowly until paint starts to flow into the bucket. As soon as the water or solvent starts to come into the bucket, release the trigger.
5. Change to clean water or solvent and continue circulating for another 5 minutes to thoroughly clean the hose, pump and spray gun.

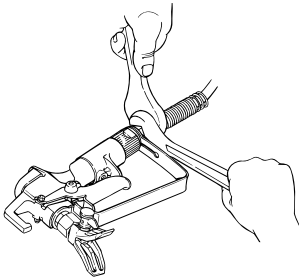
6. Turn the pressure control knob counterclockwise to its lowest setting.
7. Turn the PRIME/SPRAY knob to PRIME.
8. Trigger the gun to remove any pressure which may still be in the hose.
9. Lock the gun by turning the gun trigger lock so that it is parallel to the gun body.
10. Turn the motor switch to OFF.

Clearing the Gun

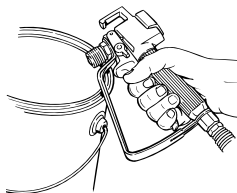
1. Remove the spray gun from the paint hose using two adjustable wrenches.
2. Remove the filter housing from the gun. Place the gun and the filter assembly into a container of water or solvent to soak.
3. Cover the paint container and set it aside.
4. Clean the spray tip and gun filter with a soft brush. Assemble the spray tip in the cleaning position with the arrow pointing to the back of the gun.



5. Attach the paint hose to the gun and tighten using two wrenches.



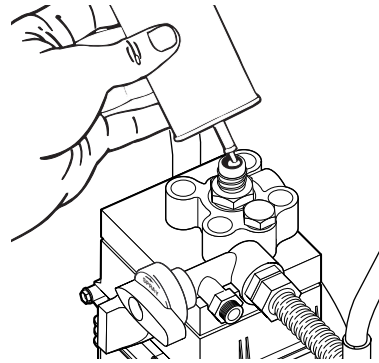
6. Turn the motor switch to ON.
7. Unlock gun trigger by turning the gun trigger lock so that it is parallel to the gun handle.
8. Turn the PRIME/SPRAY knob to SPRAY and point the gun to the side of the cleaning bucket.



9. Trigger the gun and gradually turn the pressure control knob clockwise to 1/2 pressure. Continue to trigger the gun for approximately 30 seconds.
10. Turn the pressure control knob counterclockwise to its lowest setting.
11. Turn the PRIME/SPRAY knob to PRIME.
12. Trigger the gun to remove any pressure which may still be in the hose.
13. Lock the gun by turning the gun trigger lock so that it is parallel to the gun body.
14. Turn the motor switch to OFF.

Final Cleanup

1. Remove the tip assembly.
2. Turn the motor to ON.
3. Turn the PRIME/SPRAY knob to SPRAY.
4. Turn the pressure control knob clockwise to 1/2 power.
5. Trigger the gun into the cleaning bucket until the hopper is empty.
6. Refill the hopper and continue flushing the system until the solution coming out of the gun appears clean.
7. Lock the gun and turn the pressure control knob counterclockwise to its lowest setting.
8. Turn the PRIME/SPRAY knob to PRIME.
9. Remove the hopper from the inlet valve.
10. Clean the threads of the inlet valve with a damp cloth.
11. Fill the inlet valve with a light household oil. Slowly increase the pressure to distribute the oil through the pump.



12. Turn the PRIME/SPRAY knob to SPRAY to distribute the oil.

NOTE: Proper cleaning and oiling of the pump after use are the most important steps you can take to insure proper operation after storage.

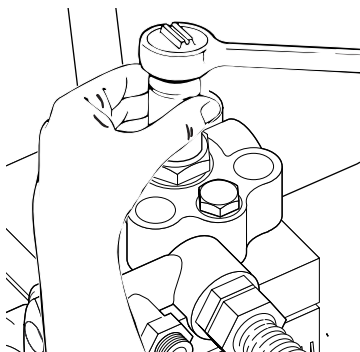
13. Turn the pressure control knob counterclockwise to its lowest setting.
14. Turn the PRIME/SPRAY knob to PRIME.
15. Trigger the gun to remove any pressure which may still be in the hose.
16. Lock the gun by turning the gun trigger lock so that it is parallel to the gun body.
17. Turn the motor switch to OFF.
18. Remove and clean the hopper filter in clean water or the appropriate solvent. Use a soft brush.
19. Return the hopper filter to its position in the hopper and replace the hopper on the inlet valve.
20. Wipe the entire unit, hose and gun with a damp cloth to remove accumulated paint.

Maintenance

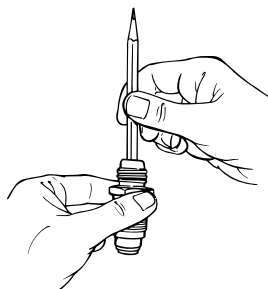
Follow these procedures when encountering problems indicated in the troubleshooting section.

Removing and Cleaning the Inlet Valves

1. Be certain that the sprayer is off.
2. Remove the inlet valve assembly using a 27 millimeter socket or box end wrench.



3. Test movement of the valve by pushing on it from the open end of the valve housing with a screwdriver or the eraser end of a pencil. It should move about 1/16 of an inch. If it does not move, it should be cleaned or replaced.



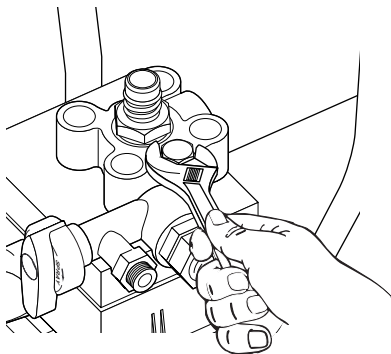
NOTE: The inlet valve must be oiled after every job. This will reduce or eliminate priming problems the next time the sprayer is used.

4. Thoroughly clean the valve assembly with water or the appropriate solvent. Use a small brush.
5. If you have properly cleaned the valve and water drips out of the bottom, the valve is worn and needs to be replaced. A properly seated valve filled with water and held vertically will not drip.
6. Install a new or cleaned valve in the pump block and then fill the valve with light oil or solvent.

Removing and Cleaning the Outlet Valve

It may be necessary to remove and clean the outlet valve or to replace parts inside the valve worn out through normal use.

1. Remove the outlet cap with a wrench.



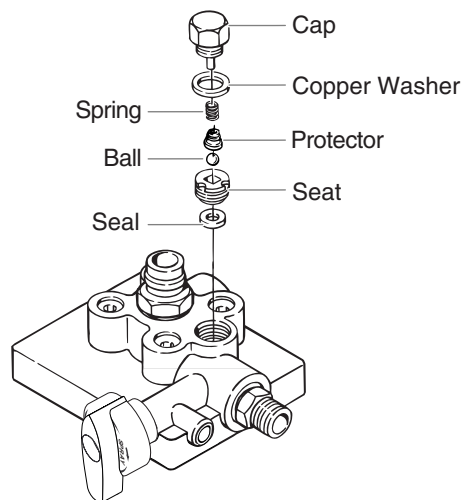
2. Leave the copper washer under the cap in place.

NOTE: If the copper washer falls out, be sure to replace it with the same side up. The top will show the imprint of the end cap, while the bottom should be perfectly flat to match the seat in the pump casting.

3. Remove and clean the small spring inside the valve using a wire hook or tweezers. Replace the spring if it is broken or worn.

NOTE: This spring is manufactured to a very specific tension. Do not put in an unauthorized substitute. See the paint pump assembly parts diagram for the proper replacement part number.

4. Remove the seat and ball assembly using a 3/8 inch allen wrench.
5. Clean all parts thoroughly. If the ball or seat show any sign of wear or damage, replace them with new parts. This carbide ball must seal tightly against its seat for the valve to function properly.
6. Cover all parts with a thin coat of light oil before reassembling.
7. Tighten the valve seat securely with the 3/8 inch allen wrench.
8. Drop in the valve ball.
9. Insert the protector and spring and replace the cap. Be sure that the copper washer is positioned properly and that the tongue on the cap fits inside the spring.
10. Tighten the cap securely with an adjustable wrench. Do not overtighten.



NOTE: Wear on the ball is almost impossible to detect visually. To test for a worn outlet valve assembly, turn the pressure control knob clockwise to its highest setting and run water only through the sprayer for 10 to 15 minutes without triggering the gun.

If the valve is defective, the end cap will get very hot to the touch. If it is functioning properly, it will stay approximately the same temperature as the water running through it.

Cleaning the Spray Tip

1. Flush the gun with solvent immediately after the work is completed.
2. Oil the sliding pins to prevent them from seizing up.

Should the spray tip become clogged, reverse the spray tip with the lever and pull the trigger. Once the obstruction comes out of the spray tip, release the trigger, reverse the spray tip back to the spray pattern setting, and resume spraying.



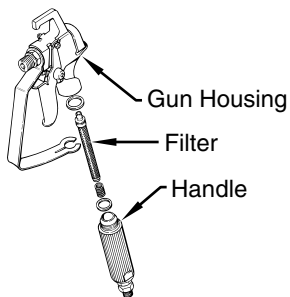
Do not attempt to clean the tip with your finger.
Do not use a needle or other sharp pointed instrument to clean the tip. The hard tungsten carbide is brittle and can be chipped.

Cleaning the Filter

Clean the filter with a brush dipped in solvent. Never poke the filter with a sharp instrument.

Changing the Filter

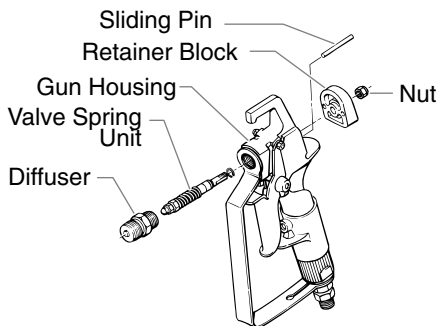
1. Pull the trigger guard forward so that it comes loose from the handle.
2. Unscrew the handle from the housing and remove the old filter.
3. Slide the new filter, taper end first, into the gun housing.
4. Replace the handle, washer and spring. Screw the handle into the housing until hand-tight. Replace the trigger guard.



Replacing the Valve Spring Unit

NOTE: Replace the packing if the spray gun is disassembled. Replace the sliding pins if they are worn.

1. Unscrew the spray tip.
2. Lock the gun in the ON position and remove the diffuser with a wrench
3. Unlock the gun.
4. Unscrew the nut with a wrench and remove the retainer block.
5. Remove the sliding pins with care and store them in a safe place so they will not be lost.
6. Drive the valve spring unit forward from the back of the retainer block. Use the handle of a wooden hammer or similar soft tool to avoid damaging the valve spring unit.



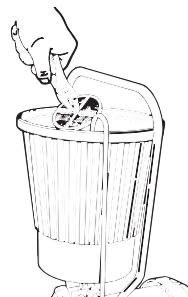
Choosing the Correct Spray Gun Filter

Use the proper gun filter based on the type of material being applied as shown below.

Part no.	Application	Filter type	Mesh number	Color of Filter body
0089960	Synthetic resin, enamels, clean varnishes, stains azures	Extrafine	0.084 mm	red
0089959	Base coat enamels, primer enamels, fillers, marking paints, textured enamels	Fine	0.140 mm	yellow
0089958	Emulsions, latex paints, acrylic paints	Medium	0.315 mm	white
0089957	Filler paints, large area surfaces	Coarse	0.560 mm	green

Cleaning the Hopper Screen

The screen at the bottom of the paint hopper may need cleaning periodically. Check it every time you add paint. Remove the screen by pulling it out of the hopper with a pliers. Clean the screen with water or solvent and a soft-bristle brush, if necessary.



Tightening the PRIME/SPRAY Knob

Sometimes the two allen screws holding the PRIME/SPRAY knob outer cover will vibrate loose. This allows the cover to turn without changing the valve setting. If this happens, loosen the screw with a 1/16 allen wrench, turn the knob to SPRAY and tighten the screw.

Troubleshooting

Problem

The sprayer does not start up.

Cause

1. The sprayer is not plugged in.
2. The ON/OFF switch is set to OFF.
3. Low or no voltage is coming from the wall plug.
4. The sprayer was turned off while still under pressure.
5. The extension cord is damaged or has too low a capacity.
6. The thermal overload on the sprayer is tripped.
7. There is a problem with the motor.

Solution

1. Plug the sprayer in.
2. Turn the ON/OFF switch to ON.
3. Properly test the power supply voltage.
4. Turn the PRIME/SPRAY knob to PRIME.
5. Replace the extension cord.
6. Allow the motor to cool and move the sprayer to a cooler spot.
7. Take the sprayer to a SprayTECH Authorized Service Center.

The sprayer starts up but does not draw in paint when the PRIME/SPRAY knob is set to PRIME.

1. The unit will not prime properly or has lost prime.
2. The paint hopper is empty
3. The hopper filter is clogged.
4. The inlet valve is stuck.
5. The outlet valve is stuck.
6. The PRIME/SPRAY valve is plugged.
7. The inlet valve is worn or damaged.
8. There is a problem with the diaphragm.
9. The hydraulic oil level is low or empty.

1. Try to prime the unit again.
2. Fill the paint hopper with paint.
3. Clean the hopper filter.
4. Clean the inlet valve.
5. Clean the outlet valve and replace any worn parts.
6. Take the sprayer to a SprayTECH Authorized Service Center.
7. Replace the inlet valve.
8. Take the sprayer to a SprayTECH Authorized Service Center.
9. Take the sprayer to a SprayTECH Authorized Service Center.

The sprayer draws up paint but the pressure drops when the gun is triggered.

1. The spray tip is worn.
2. The hopper filter is clogged.
3. The gun or spray tip filter is plugged.
4. The paint is too heavy or coarse.
5. The outlet valve assembly is dirty or worn.
6. The inlet valve assembly is damaged or worn.

1. Replace the spray tip with a new tip.
2. Clean the hopper filter.
3. Clean or replace the proper filter. Always keep extra filters on hand.
4. Thin or strain the paint.
5. Clean or replace the outlet valve assembly.
6. Replace the inlet valve.

The sprayer will not shut off.

1. The inlet or outlet valve ball or ball seat is worn.
2. Foreign matter or paint has built up between the ball and the seat.

1. Take the sprayer to a SprayTECH Authorized Service Center.
2. Take the sprayer to a SprayTECH Authorized Service Center.

The spray gun leaks.

1. Internal parts of the gun are worn or dirty.

1. Take the sprayer to a SprayTECH Authorized Service Center.

The tip assembly leaks.

1. The tip was assembled incorrectly.
2. A seal is worn.

1. Check the tip assembly and assemble properly.
2. Replace the seal.

The spray gun will not spray.

1. The spray tip, the gun filter or the tip filter is plugged.
2. The spray tip is in the CLEAN position.

1. Clean the spray tip, gun filter or tip filter.
2. Put the tip in the SPRAY position.

The paint pattern is tailing.

1. The pressure is set too low.
2. The gun, the tip, or the hopper filter is plugged.
3. The tip is worn.
4. The paint is too thick.

1. Increase the pressure.
2. Clean the filters.
3. Replace the spray tip.
4. Thin the paint.

The thermal overload tripped and shut off the sprayer.

1. The motor overheated.
2. The extension cord is too long or is too small a gauge.
3. Paint has built up on the motor.
4. The motor was started while the sprayer was under pressure.
5. The sprayer was sitting in the hot sun.

1. Allow to cool for 30 minutes.
2. Allow to cool for 30 minutes and replace the extension cord with a shorter extension or a thicker gauge cord.
3. Clean the paint from the motor.
4. Restart the sprayer in the PRIME mode.
5. Move the sprayer out of the sun.

NOTE: When the PRIME/SPRAY valve is on SPRAY and there is flow through the return tube, remove the PRIME/SPRAY valve and clean or replace it.

NOTE: The electric motor should always be kept clean and dry. Paint acts as an insulator. Too much paint on the motor will cause the motor to overheat.

Table des matières

Composants	14
Description générale	14
Spécification	14
Consignes de sécurité	15-16
Directives sur la mise à la terre	16
Montage	17
Assemblage de la poignée	17
Comment attacher le tuyau à peinture	17
Comment attacher la tête de pulvérisation	17
Limitation de la pression procédure	18
Amorçage	18-19
Préparation à l'amorçage	18
Montage de la trémie à peinture	19
Assemblage du tube de retour	19
Amorçage de la pompe	19
Pulvérisation	20
Technique de pulvérisation	20
Pratique	20
Nettoyage	21-22
Rangement du jour au lendemain	21
Rangement à long terme	21-22
Maintenance	23-24
Comment enlever et nettoyer la soupapes d'admission ..	23
Comment enlever et nettoyer la soupape de sortie ..	23
Nettoyage de la tête de pulvérisation	24
Nettoyage du filtre	24
Remplacement du ressort de valve	24
Choix du filtre approprié pour le pistolet de pulvérisation ..	24
Nettoyage du tamis de la trémie	24
Comment serrer le bouton AMORCER/PULVÉRISER ..	24
En cas de problème	25
Schémas des pièces	38-41
Montage Final	38
Ensemble trémie	39
Ensemble de la pompe à peinture	40
Pistolet G-10	41
Garantie	43

Composants

Le carton d'expédition pour votre système de peinture contient les composants suivants :

- Support, moteur et pompe attachés
- Poignée avec ses deux broches
- Trémie à peinture et tube de retour
- Pistolet et filtre.
- Tête de pulvérisation et joint d'étanchéité.
- Tuyau à pression.

Les composants suivants se trouvent dans le jeu de documentation qui accompagne le présent manuel :

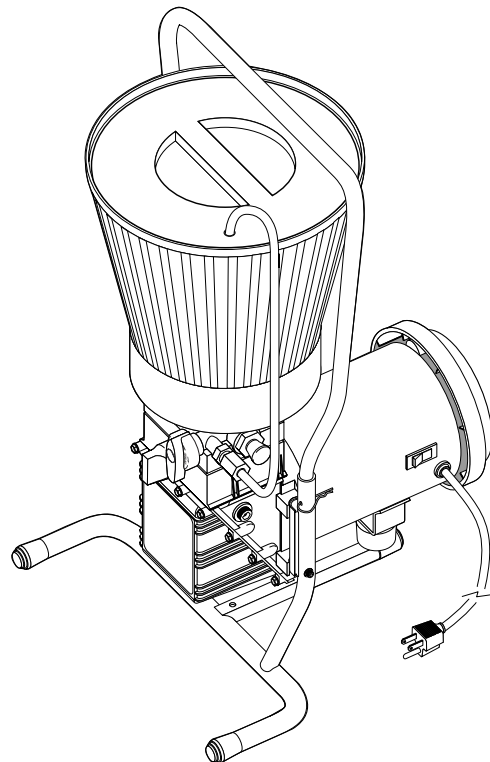
- Carte d'enregistrement.

Description Générale

Ce pistolet de pulvérisation sans air à haut rendement est un outil mécanique de grande précision dont on peut se servir pour pulvériser une grande diversité de matériaux. Il faut lire et suivre ce manuel d'instructions avec soin, afin de profiter de bonnes consignes en matière d'exploitation, de maintenance et de sécurité.

Spécification

Poids	12 kg (27 lb)
Débit	Jusqu'à 1,25 litre (0,35 gallon) par minute.
Alimentation	Moteur électrique, entièrement protégé, refroidi par ventilateur.
Besoin en énergie	Circuit d'au moins 15 ampères, courant de 60 Hz et de 115 volts CA.
Génératrice	15 ampères CA.
Pression de pulvérisation	Jusqu'à 2600 psi.
Caractéristiques de sûreté	Cran de sûreté au pistolet, diffuseur de pression, protecteur de tête intégré, bouton d'amorçage pour la décharge de la pression sans danger.
Caractère portatif	Le pistolet, compact et léger, est facile à transporter.
Polyvalence	Le pistolet sert à pulvériser une grande variété de peintures à huile ou au latex, d'apprêts, de teintures, d'agents de conservation et d'autres produits non abrasifs, y compris les pesticides et les engrais liquide



Consignes de sécurité

Le présent manuel comprend des renseignements devant être lus attentivement avant toute utilisation de l'appareil. Lorsque l'un des symboles suivants apparaît, il est recommandé d'être particulièrement attentif et de tenir compte des mesures de sécurité indiquées.

AVERTISSEMENT

Ce symbole indique un danger potentiel pouvant causer des blessures graves ou même mortelles. Des renseignements importants sur la sécurité sont également indiqués

ATTENTION

Ce symbole indique un danger potentiel pouvant causer des blessures corporelles ou des dommages à l'équipement. Des renseignements importants sur la façon de prévenir tout dommage à l'équipement ou toute blessure corporelle mineure sont également indiqués.

NOTA : Les remarques donnent des renseignements importants requérant une attention particulière.

ATTENTION

CET ENSEMBLE EST DOTÉ D'UN DISPOSITIF DE REMISE EN MARCHÉ AUTOMATIQUE AVEC PROTECTION THERMIQUE. EN CAS DE SURCHARGE, CE DISPOSITIF DÉBRANCHE LE MOTEUR DU BLOC D'ALIMENTATION.

- Le moteur se remet en marche sans avertissement lorsque le protecteur est réarmé automatiquement.
- Il faut toujours débrancher le moteur du bloc d'alimentation avant de travailler sur le matériel.
- Lorsque le dispositif de remise en marche automatique débranche le moteur du bloc d'alimentation, réduire la pression en tournant la soupape d'amorçage à AMORCER.
- Mettre l'interrupteur MARCHÉ/ARRÊT à ARRÊT.

NOTA : Il faut remédier à la cause de la surcharge avant de relancer l'appareil. À ce sujet, voir la rubrique DÉPANNAGE.

AVERTISSEMENT

DANGER: Blessures résultant d'une injection cutanée - Le jet de peinture haute pression produit par cet appareil peut transpercer la peau et les tissus sous-jacents, causant des blessures graves pouvant aller jusqu'à l'amputation.

NE PAS TRAITER CE TYPE DE BLESSURE COMME S'IL S'AGISSAIT D'UNE SIMPLE COUPURE ! Une amputation peut en résulter. Consulter un médecin immédiatement. Le plus haut niveau de fonctionnement du pistolet est une pression du fluide de 2800 PSI.

PRÉVENTION:

- NE JAMAIS diriger le pulvérisateur vers toute partie du corps.
- NE JAMAIS placer toute partie du corps devant le jet. ÉVITER d'entrer en contact avec un jet de fluide sortant d'une fuite dans le tuyau à fluide.
- NE JAMAIS placer les mains devant le pulvérisateur. Les gants ne sont pas une protection suffisante contre les risques d'injection cutanée.
- TOUJOURS bloquer la détente du pistolet, fermer la pompe à fluide et décharger toute la pression avant de faire de l'entretien, de nettoyer le protecteur de la tête, de changer de tête ou de laisser l'appareil sans surveillance. Le bouton AMORCER/PULVÉRISER doit être tourné à AMORCER, afin d'éliminer la pression. Consulter la PROCÉDURE DE LIMITATION DE LA PRESSION décrite dans le présent manuel.

- Toujours débrancher le pistolet avant d'effectuer toute opération d'entretien ou de nettoyage du protecteur de tête ou de remplacement des embouts, ou lorsque le pistolet n'est pas utilisé.
- TOUJOURS garder le protecteur de tête en place durant l'opération de pulvérisation. Ce dispositif fournit une certaine protection contre toute blessure résultant d'une injection cutanée; on l'utilise principalement à titre d'avertissement.
- TOUJOURS enlever la tête de pulvérisation avant d'effectuer un lavage ou un nettoyage du système.
- Des fuites peuvent être provoquées dans le tuyau à peinture par l'usure, par des faux plis ou par la mauvaise utilisation. Une fuite peut injecter des substances dans la peau, et il est donc indispensable d'examiner le tuyau à peinture avant chaque utilisation.
- NE JAMAIS utiliser un pistolet qui ne soit pas muni d'un cran de sûreté ou de pontet en place et en bon état de fonctionnement.
- Tous les accessoires doivent avoir une valeur nominale d'au moins 2800 PSI. Cette exigence s'applique aux têtes de pulvérisation, aux pistolets, aux rallonges et aux tuyaux.

REMARQUE DESTINÉE AU MÉDECIN:

Une injection cutanée est une blessure du type traumatique. Il est essentiel de traiter ce genre de blessure à l'aide d'une intervention chirurgicale et ce, dans les plus brefs délais. NE PAS retarder le traitement dans le but d'effectuer des recherches sur le degré de toxicité du produit. La toxicité d'un produit ne doit être considérée que pour certaines substances ayant été directement injectées dans les vaisseaux sanguins. Il pourrait s'avérer nécessaire de consulter un spécialiste en chirurgie plastique, ou encore, un spécialiste en chirurgie reconstructive de la main.

DANGER: EXPLOSION OU INCENDIE - Les émanations provenant des solvants et des peintures peuvent exploser ou s'enflammer, entraînant des dommages matériels ou des blessures graves.

PRÉVENTION:

- Un approvisionnement d'air frais et une évacuation des gaz doivent être assurés, afin que l'air entourant la zone de pulvérisation soit libre de toute accumulation de vapeurs inflammables.
- Éviter toute source d'ignition, telle que des étincelles d'électricité statique, des flammes nues, des veilleuses, des objets chauds, des cigarettes, ou des étincelles produites lors du branchement ou du débranchement des cordons d'alimentation ou du déclenchement des interrupteurs d'éclairage.
- Des appareils d'extinction d'incendie doivent être en place et en bon état de fonctionnement.
- Garder la pompe à l'écart de la zone de pulvérisation, afin d'éviter les vapeurs de solvants et de peintures.
- L'écoulement à haute vitesse d'un liquide à travers le matériel peut générer l'électricité statique. Il faut donc assurer une bonne mise à la terre du matériel dont on se sert ainsi que des objets dans la zone de pulvérisation et aux alentours, pour éviter la décharge de l'électricité statique et les étincelles.
- Pour le travail sans air, utiliser uniquement les tuyaux à fluide à haute pression qui soient mis à la terre ou qui soient bons conducteurs de l'électricité. S'assurer que le pistolet est mis à la terre correctement à travers les raccords des tuyaux.
- Respecter les mesures de sécurité et les avertissements du fabricant des solutions et des produits.
- Lors du lavage du matériel, utiliser la plus basse pression possible.

⚠ AVERTISSEMENT

DANGER: EXPLOSION CAUSÉE PAR L'INCOMPATIBILITÉ DES MATÉRIAUX - Peut causer des dommages matériels ou des blessures graves.

PRÉVENTION:

- Ne pas utiliser de l'eau de Javel.
- Ne pas utiliser de solutions halocarbonées, tels que le chlorure de méthylène et le 1-1-1 trichloro-éthane. Ces produits ne sont pas compatibles avec l'aluminium et peuvent provoquer une explosion. En cas de doute, communiquer avec le fournisseur du produit en question.

DANGER: VAPEURS DANGEREUSES - Les peintures, les solutions, les insecticides et autres produits peuvent être dangereux en cas d'inhalation, provoquant des nausées graves, des évanouissements ou un empoisonnement.

PRÉVENTION:

- Utiliser un respirateur ou un masque dans toute situation où il y a risque d'inhalation de vapeurs. Lire toute la documentation accompagnant le produit de pulvérisation et le masque, afin de s'assurer qu'une protection adéquate est offerte contre l'inhalation de vapeurs dangereuses.
- Utiliser des lunettes de protection pour empêcher les vapeurs dangereuses de pénétrer dans les yeux.

DANGER : GÉNÉRALITÉS - Peut causer des dommages matériels ou des blessures graves

PRÉVENTION:

- Lire toutes les directives et toutes les mesures de sécurité portant sur l'équipement et sur le produit de pulvérisation avant l'emploi de tout équipement.
- Se conformer aux règlements locaux, provinciaux et nationaux appropriés régissant la ventilation, la prévention des incendies et l'exécution des opérations.
- Les normes de sécurité du gouvernement des États-Unis ont été adoptées en application de la Occupational Safety and Health Act (OSHA) (Loi sur la santé et la sécurité au travail). Il convient de prendre connaissance de ces normes, et surtout de l'article 1910 des Normes générales et de l'article 1926 des Normes de construction.
- Cette pompe, qui fonctionne à haute pression sans air, est conçue pour être utilisée exclusivement avec des pièces autorisées par le fabricant. L'utilisateur qui emploie cette pompe avec des pièces qui ne se conforment pas à la spécification minimum et aux mesures de sûreté prévues par le fabricant de la pompe assume tous les risques et toutes les responsabilités découlant d'un tel usage.
- Avant chaque utilisation, vérifier tous les tuyaux pour repérer éventuellement des coupures, des fuites, des zones d'abrasion et le renflement du revêtement ainsi que des dommages aux raccords ou leur déplacement. Si un de ces problèmes est constaté, il faut remplacer le tuyau immédiatement. Ne jamais réparer un tuyau à peinture; il faut le remplacer avec un autre tuyau mis à la terre.
- Tous les tuyaux, pivots, pistolets et accessoires utilisés avec ce matériel doivent avoir une valeur nominale d'au moins 2800 PSI.
- Ne pas pulvériser par des temps de grand vent.

⚠ ATTENTION

Utiliser uniquement une rallonge à trois fils dotée d'une fiche de mise à la terre à trois broches et d'une prise à trois fentes pouvant accepter la fiche sur le produit. S'assurer que la rallonge est en bon état. S'assurer également que cette dernière convient au courant consommé par l'appareil. Pour une longueur inférieure à 15,2 m (50 pieds), utiliser une rallonge no 18 AWG. Pour une longueur supérieure à 15,2 m (50 pieds), utiliser une rallonge no 14 ou no 16 AWG. Une rallonge de section inférieure produira une perte de tension, entraînant une perte de puissance et la surchauffe. On recommande l'utilisation d'un cordon de calibre 14 ou 12.

NOTA : Ne pas utiliser plus de 100 pieds de cordon de rallonge. Au cas où il serait nécessaire de faire de la peinture à une distance de plus de 100 pieds du bloc d'alimentation, utiliser d'autres tuyaux à peinture et non pas d'autres rallonges. Par ailleurs, les rallonges plus courtes assureront une alimentation maximale et un bon fonctionnement.

Directives sur la mise à la terre

Ce dispositif doit être mis à la terre. En cas de court-circuit, ce procédé permet de réduire le risque d'un choc électrique en fournissant un fil d'évacuation pour le courant. Ce produit est équipé d'un cordon comportant un fil de mise à la terre muni d'une fiche appropriée. Cette fiche doit être connectée sur une prise adéquatement installée et mise à la terre selon les codes et règlements locaux en vigueur.

⚠ AVERTISSEMENT

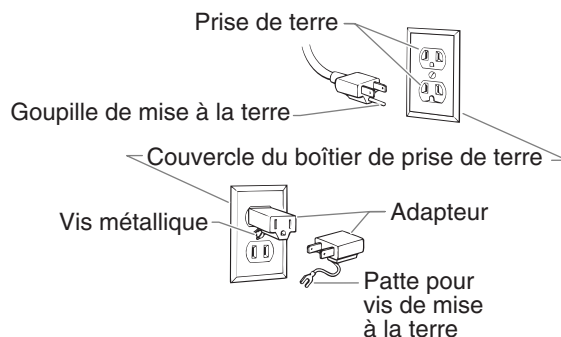
Danger! Une installation inadéquate de la fiche de mise à la terre risque de provoquer un choc électrique.

S'il est nécessaire de réparer ou de remplacer le cordon ou la fiche, ne pas connecter le fil de mise à la terre vert à aucune des bornes à broches plates. Le fil comportant un isolant de couleur verte, avec ou sans lignes jaunes, est le fil de mise à la terre devant être connecté à la broche de mise à la terre.

Il est recommandé de consulter un électricien qualifié ou un technicien si les directives sur la mise à la terre ne sont pas entièrement comprises, ou si l'on n'est pas sûr que le produit soit correctement mis à la terre. Ne pas modifier la fiche. Si la fiche ne peut être insérée dans la prise, demander à un électricien qualifié d'installer la prise appropriée.

Ce produit doit être utilisé sur un circuit d'une tension nominale de 120 volts et comporte une fiche de mise à la terre semblable à celle illustrée ci-dessous. Un adaptateur temporaire ressemblant à celui présenté à la figure ci-dessous peut être utilisé pour connecter cette fiche à une prise à deux pôles, comme il est illustré, en l'absence d'une prise mise à la terre de façon appropriée.

L'adaptateur temporaire ne doit être utilisé qu'en attendant l'installation d'une prise appropriée (voir la figure ci-dessous) par un électricien qualifié. La languette rigide verte ou le fil de mise à la terre provenant de l'adaptateur doit être connecté de façon permanente à une mise à la terre comme, par exemple, le couvercle de la boîte de sortie mis à la terre correctement. L'adaptateur, le cas échéant, doit être maintenu en place au moyen d'une visse métallique.

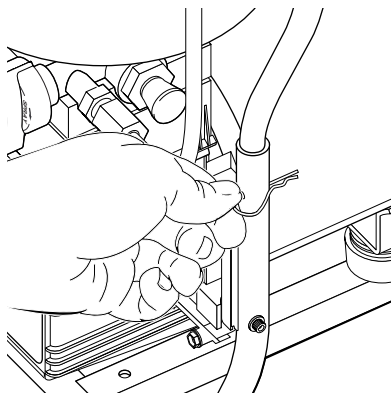


Montage

Assemblage de la poignée

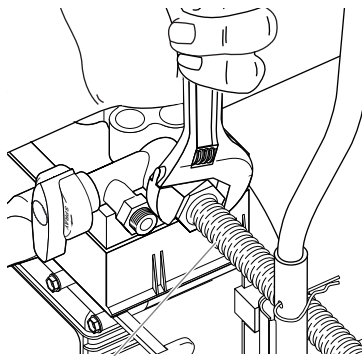
NOTA : Le pistolet doit être débranché pendant le montage.

1. Faire glisser la poignée dans le support jusqu'à ce que les trous sur la poignée soient alignés avec les trous dans le support.
2. Faire glisser les broches de poignée dans les trous du support et de la poignée pour que la poignée soit bien maintenue.



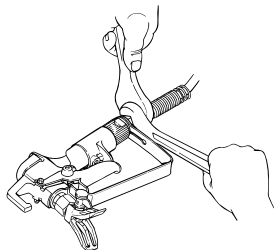
Comment Attacher le Tuyau à Peinture

1. Attacher le tuyau à haute pression au port du tuyau à peinture. Utiliser une clé à molette pour bloquer le tuyau à peinture solidement en place.



Tuyau à haute pression

2. Attacher le pistolet à l'autre extrémité du tuyau à haute pression. Bloquer le pistolet solidement à l'aide de deux clés.



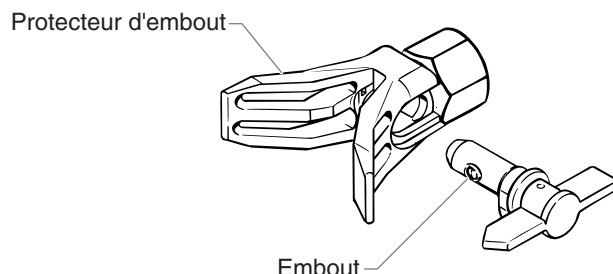
3. Brancher l'appareil de pulvérisation à une prise de courant correctement mise à la terre ou à une rallonge pour service intensif mis à la terre. Ne pas utiliser plus de 100 pieds de cordon. Au cas où il serait nécessaire de faire de la peinture à une distance de plus de 100 pieds du bloc d'alimentation, utiliser d'autres tuyaux à peinture et non pas d'autres rallonges. Les cordons de rallonge ayant une longueur allant jusqu'à 50 pieds doivent avoir un calibre d'au moins 16, et les cordons ayant une longueur entre 50 et 100 pieds doivent avoir un calibre de 12 à 14.

Comment Attacher la Tête de Pulvérisation

Montage de la Tête

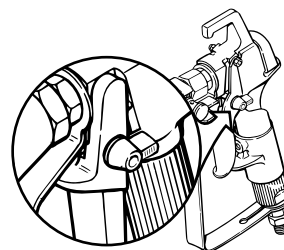
Si la tête de pulvérisation n'est pas assemblée :

1. Insérer la tête dans le protecteur et la tourner à la position de pulvérisation, pour que la flèche se trouve face au devant du pistolet.



Comment Attacher la Tête au Pistolet

1. Bloquer le pistolet en tournant le cran de sûreté pour qu'il soit parallèle au corps du pistolet.



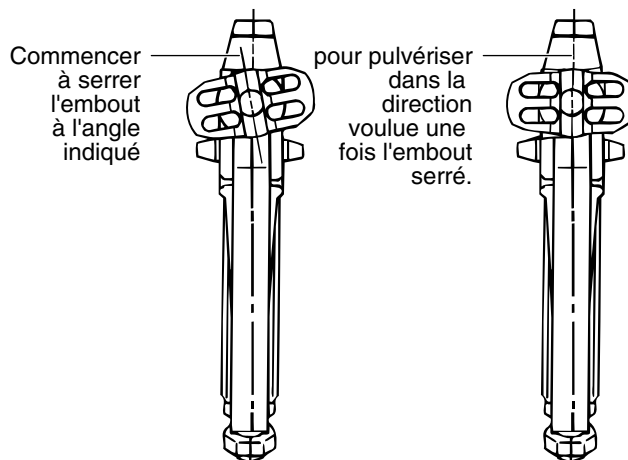
Pistolet bloqué
(le pistolet ne peut pas pulvériser)

⚠ AVERTISSEMENT

DANGER D'INJECTION ÉVENTUEL. Ne pas faire de la pulvérisation sans que le protecteur de la tête de pulvérisation ne soit en place. Ne jamais déclencher le pistolet si la tête de pulvérisation n'est pas en position de pulvérisation ou de décolmatage. Toujours mettre le cran de sûreté avant d'enlever, de remplacer ou de nettoyer la tête.

2. Visser la tête de pulvérisation sur le pistolet. Serrer l'écrou d'abord à la main, puis plus solidement à l'aide d'une clé.

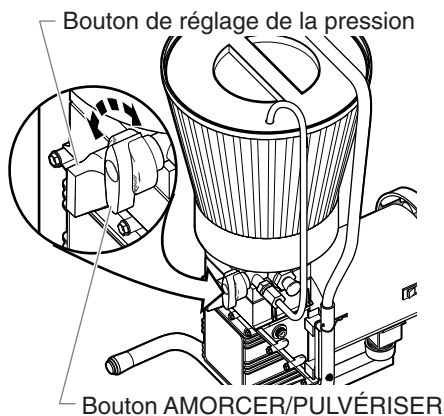
NOTA: En attachant la tête de pulvérisation au pistolet, aligner le protecteur de la tête comme l'indique la figure ci-dessous, puis serrer le protecteur à l'aide d'une clé.



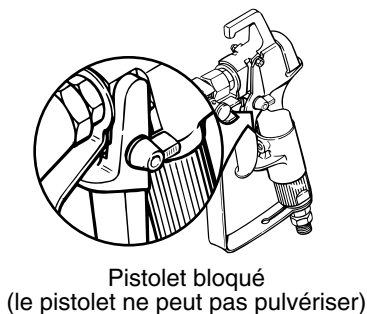
Limitation de la pression procédure

Suivre la présente procédure après le montage de l'appareil et avant toute intervention portant sur le pistolet, telle que le nettoyage ou la maintenance des têtes de pulvérisation et des accessoires.

1. Tourner le bouton de réglage de la pression dans le sens inverse des aiguilles d'une montre, jusqu'à ce qu'il se trouve à sa valeur minimum.



2. Tourner le bouton AMORCER/PULVÉRISER à la position AMORCER.
3. Déclencher le pistolet afin d'éliminer toute pression qui puisse toujours exister dans le tuyau.
4. Bloquer le pistolet en tournant le cran de sûreté pour qu'il soit parallèle au corps du pistolet.



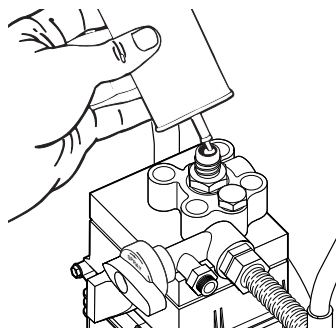
AVERTISSEMENT

Danger d'injection. Ne pas faire de la pulvérisation sans que le protecteur de la tête de pulvérisation ne soit en place. NE JAMAIS déclencher le pistolet si la tête de pulvérisation n'est pas en position de pulvérisation ou de décolmatage. TOUJOURS mettre le cran de sûreté avant d'enlever, de remplacer ou de nettoyer la tête.

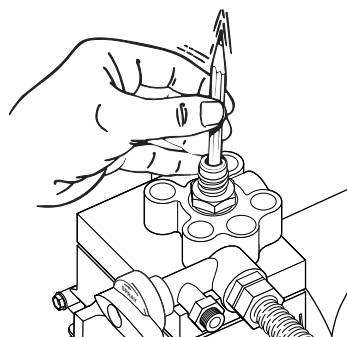
Amorçage

Préparation à L'amorçage

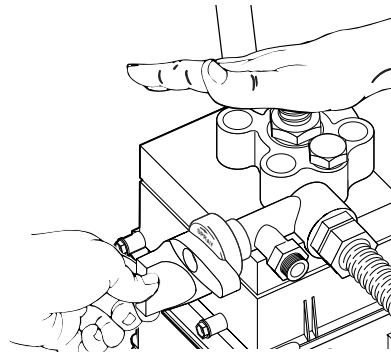
1. Remplir la soupape d'entrée avec de l'eau ou de l'huile légère (huile de machine à coudre).



2. S'assurer que le bouton AMORCER/PULVÉRISER est tourné à la position AMORCER et que le bouton de réglage de la pression est tourné dans le sens inverse des aiguilles d'une montre, jusqu'à ce qu'il se trouve à sa valeur minimum.
3. Mettre le commutateur du moteur à la position MARCHÉ.
4. Augmenter la pression en imprimant un demi-tour, dans le sens inverse des aiguilles d'une montre, au bouton de réglage de la pression.
5. Obliger la soupape d'admission à s'ouvrir et à se fermer en appuyant sur elle avec un tournevis ou avec la gomme au bout d'un crayon. La soupape devrait se déplacer de 1/16 po sur l'axe vertical. Poursuivre cette action jusqu'à ce que l'eau ou l'huile est aspirée dans l'appareil de pulvérisation, ce qui mouillera les pièces mobiles et détachera tout ancien reste de peinture.



6. Mettre la paume sur le port d'admission. Tourner le bouton de réglage de la pression dans le sens des aiguilles d'une montre. Il faut sentir l'aspiration qui provient de la soupape d'admission; sinon, consulter la section du présent manuel qui porte sur le nettoyage et l'entretien de la soupape de sortie.



7. Tourner le bouton de réglage de la pression dans le sens inverse des aiguilles d'une montre, jusqu'à ce que la valeur de pression minimum soit atteinte.
8. Tourner le commutateur du moteur à la position ARRÊT.

Montage de la trémie à peinture

1. Présenter le fond de la trémie à peinture dans l'alignement de la soupape d'entrée fileté sur le bloc de la pompe à peinture.
2. Tourner la trémie à peinture dans le sens des aiguilles d'une montre pour la visser sur la soupape d'entrée. Continuer à tourner la trémie à peinture jusqu'à ce qu'elle soit bien fixée sur la soupape d'entrée.

NOTA: S'assurer que les filets sont bien appariés et que la trémie tourne sans contrainte sur la soupape d'entrée. Ne pas fausser les filets.

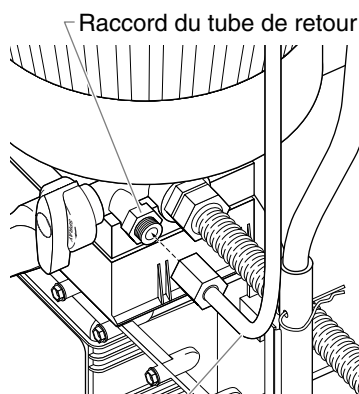
3. Placer le tamis filtrant dans le fond de la trémie à peinture et l'emboîter dans son emplacement.

Assemblage du tube de retour

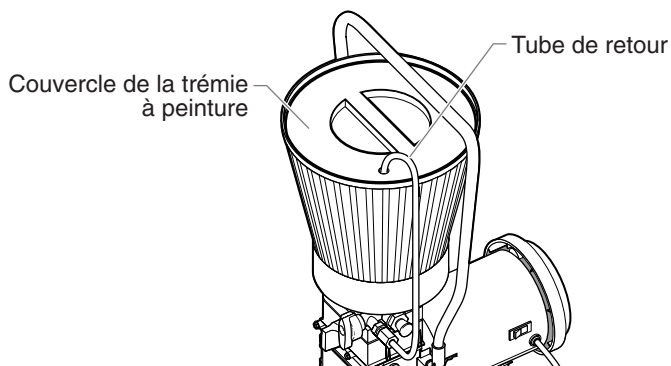
1. Vérifier que le commutateur du moteur est mis à la position ARRÊT.
2. Visser le raccord du tube de retour, que l'on trouvera dans le jeu de documents, dans l'orifice du tube de retour sur le côté de la pompe et serrer fermement à la main.

NOTA: Ne serre trop beaucoup. Serrer par la main seulement.

3. Placer l'extrémité droite du tube de retour dans le raccord du tube de retour.

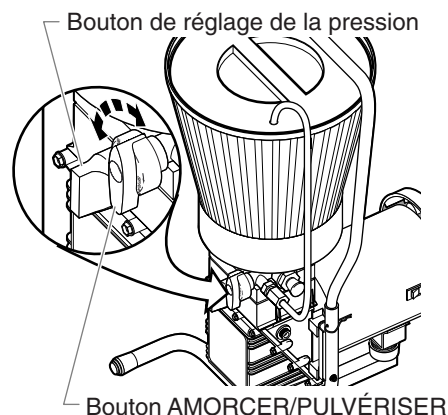


4. Visser l'écrou du tube de retour sur le raccord du tube de retour et serrer jusqu'à ce que le tube de retour soit bien maintenu.
5. Placer l'extrémité en crochet du tube de retour dans le trou du couvercle de la trémie à peinture.



Amorçage de la pompe

1. Tourner le bouton de réglage de la pression dans le sens inverse des aiguilles d'une montre, jusqu'à ce que la valeur minimum de pression soit atteinte.



2. Tourner le bouton AMORCER/PULVÉRISER à la position AMORCER.
3. Tourner le commutateur du moteur à la position MARCHÉ.
4. Tourner le bouton de réglage de la pression dans le sens des aiguilles d'une montre, pour atteindre une valeur entre la demi-pression et la pression maximale. On devrait voir le déplacement de la peinture à travers le tube d'aspiration et jusqu'à la pompe. Permettre à l'appareil d'amorcer pendant une minute ou deux après que la peinture commence à s'écouler à travers le tube de retour.

⚠ ATTENTION

Toujours réduire la pression à zéro avant de changer la position du bouton d'amorçage. Si on ne le fait pas, la membrane de la pompe à peinture risque d'être endommagée.

⚠ ATTENTION

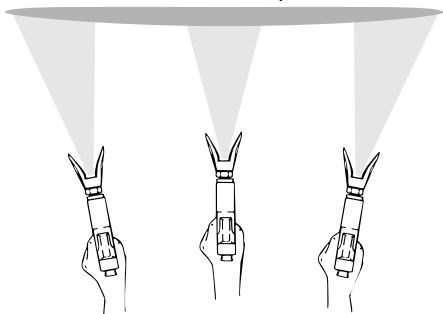
Si le bouton de réglage de la pression est tourné à zéro et le bouton AMORCER/PULVÉRISER est toujours à la position PULVÉRISER pendant que l'appareil de pulvérisation fonctionne, il y aura une haute pression au tuyau et au pistolet de pulvérisation jusqu'à ce que le bouton d'amorçage soit tourné à la position AMORCER ou le pistolet soit déclenché pour réduire la pression.

Pulvérisation

Technique de pulvérisation

Pour obtenir une peinture d'un fini impeccable il est essentiel que le produit soit également réparti sur toute la surface. Il faut pour cela que vous appliquiez la peinture de façon régulière en déplaçant votre bras à vitesse constante et en gardant le pistolet de pulvérisation à une distance constante de la surface. La meilleure distance de pulvérisation est de 25 à 30 cm (10 à 12 po) entre le pistolet et la surface traitée.

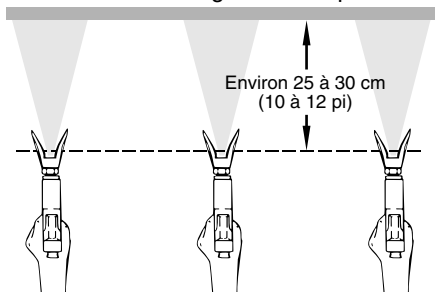
Revêtement Revêtement épais Revêtement fin



Ne pas fléchir le poignet durant la pulvérisation.

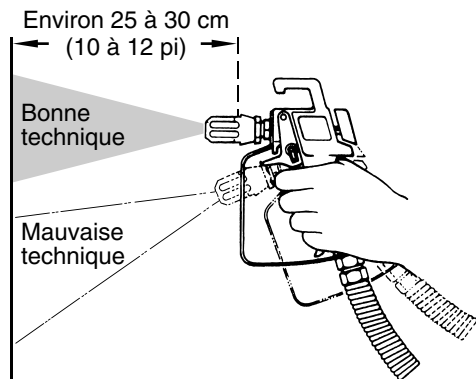
Gardez le pistolet perpendiculaire à la surface traitée. Il vous faut pour cela déplacer tout votre bras de haut en bas et non pas seulement fléchir votre poignet.

Revêtement également réparti



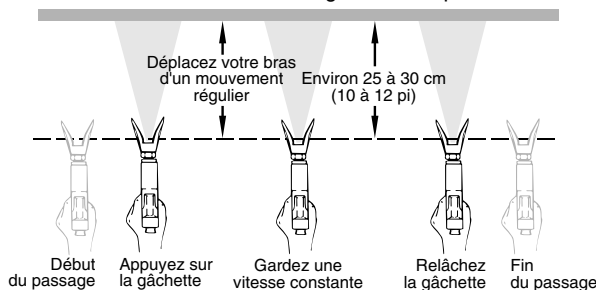
Déplacez votre bras d'un mouvement régulier et à vitesse constante.

Veillez à garder le pistolet perpendiculaire à la surface traitée afin d'éviter qu'une extrémité de chaque passage soit plus épaisse que l'autre.



Appuyez sur la gâchette au début et à la fin de chaque passage. Vous éviterez ainsi de gaspiller de la peinture ou d'avoir une accumulation de peinture à l'extrémité du passage. Ne jouez pas avec la gâchette durant le passage afin d'éviter un fini irrégulier ou des éclaboussures.

Comment bien utiliser la gâchette du pistolet

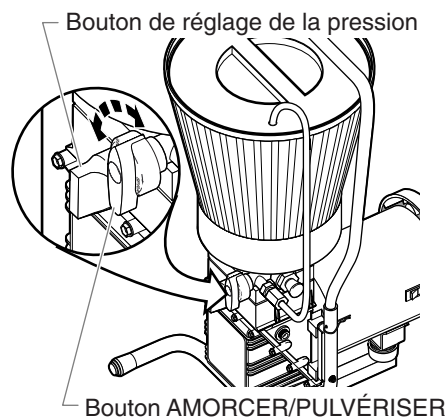


Chevauchez chaque passage d'environ 30% afin d'obtenir un fini régulier. Lorsqu'on arrête la peinture, il faut bloquer le cran de sûreté, tourner le bouton de réglage de la pression dans le sens inverse des aiguilles d'une montre jusqu'à ce qu'il atteigne sa valeur minimum, puis régler le bouton d'amorçage à la position AMORCER. Tourner le commutateur du moteur à ARRÊT et débrancher le pulvérisateur.

Si l'on s'attend à être absent pendant plus d'une heure, il faut suivre la courte procédure de nettoyage qui est décrite dans la section NETTOYAGE du présent manuel.

Pratique

1. Vérifier que le tuyau à peinture n'a pas de faux plis et ne touche pas à des objets ayant des rebords tranchants.
2. Tourner le bouton de réglage de la pression dans le sens inverse des aiguilles d'une montre, jusqu'à ce qu'il atteigne sa valeur minimum.



3. Tourner le bouton AMORCER/PULVÉRISER à la position PULVÉRISER.
4. Tourner le bouton de réglage de la pression à sa valeur la plus élevée. Le tuyau à peinture devrait devenir raide à mesure que la peinture commencera à s'y écouler.
5. Défaire le cran de sûreté en le tournant jusqu'à ce qu'il se trouve parallèle à la poignée.
6. Déclencher le pistolet pour purger l'air du tuyau.
7. Lorsque la peinture arrive à la tête de pulvérisation, il faut peindre une zone d'essai au pistolet, puis vérifier la forme du jet de pulvérisation.
8. Utiliser le réglage de la pression le plus bas qui soit nécessaire pour obtenir une bonne forme du jet de pulvérisation. Si la pression est réglée à une valeur trop élevée, la forme du jet sera trop légère. Par contre, si la pression est réglée à une valeur trop basse, le filage apparaîtra, ou la peinture sera giclée sous forme de crachats plutôt que dans une pulvérisation fine.



Bonne répartition de la pulvérisation



Traînées de peinture

Nettoyage

Rangement du Jour au Lendemain

Préparation Pour le Rangement

1. Bloquer le pistolet en tournant le cran de sûreté pour qu'il soit parallèle au corps du pistolet.
2. Tourner le bouton de réglage de la pression dans le sens inverse des aiguilles d'une montre, pour atteindre la valeur minimum.
3. Tourner le bouton AMORCER/PULVÉRISER à la position AMORCER.
4. Mettre le commutateur du moteur à la position ARRÊT, puis débrancher le pulvérisateur.
5. Pour des matériaux au latex seulement, verser une demi-tasse d'eau doucement sur la surface de la peinture, pour l'empêcher de sécher. Pour les autres matériaux, fermer la trémie à peinture avec le couvercle de trémie en gardant le tube de retour dans la peinture.



6. Enrouler l'ensemble du pistolet dans un chiffon humide et le mettre dans un sac en plastique. Sceller le sac.



7. Pour le rangement à court terme, mettre le pulvérisateur dans un endroit sûr, à l'abri des rayons du soleil.

Préparer Pour la Réutilisation

1. Enlever le pistolet du sac en plastique.
2. Dans le cas de matériaux au latex, agiter la peinture pour incorporer l'eau sur la surface. Enlever le couvercle de trémie de la trémie à peinture et agiter la peinture pour tous les autres matériaux.



3. Vérifier que le bouton AMORCER/PULVÉRISER est réglé à la position AMORCER et que la pression est complètement dissipée.
4. Brancher le pulvérisateur et mettre le commutateur du moteur à MARCHE.
5. Tourner le bouton AMORCER/PULVÉRISER à la position PULVÉRISER, puis tourner le bouton de réglage de la pression peu à peu dans les sens des aiguilles d'une montre, pour augmenter la pression.
6. Vérifier le fonctionnement du pulvérisateur sur un morceau d'essai, puis commencer la pulvérisation.

Rangement à Long Terme

⚠ AVERTISSEMENT

Ne pas permettre d'accumulation de peinture sur le moteur, car une telle accumulation risquerait de provoquer la surchauffe. Prendre garde pour que les solvants inflammables n'entrent pas en contact avec le moteur, car ces produits pourraient exploser.

NOTA : Vous aurez besoin d'un seau, d'une solution de lavage, d'une brosse à dents, d'une clé et de chiffons de nettoyage.

NOTA : Si la pulvérisation se fait avec une peinture au latex, utiliser de l'eau savonneuse tiède pour le nettoyage. S'il s'agit de peintures alkydes ou à huile, utiliser de l'essence minérale ou un solvant.

⚠ ATTENTION

Ne pas utiliser de l'essence minérale ni de solvant pour une peinture au latex, car le mélange deviendra une substance gélatineuse, difficile à enlever.

Vidange de la trémie à peinture

1. Bloquer le pistolet en tournant le cran de sûreté pour qu'il soit parallèle au corps du pistolet.
2. Tourner le bouton de réglage de la pression dans le sens inverse des aiguilles d'une montre, pour atteindre la valeur minimum.
3. Tourner le bouton AMORCER/PULVÉRISER à la position AMORCER.
4. Mettre le commutateur du moteur à la position ARRÊT, puis débrancher le pulvérisateur.
5. Diriger le tube de retour dans le pot de peinture d'origine.
6. Brancher le pulvérisateur et mettre le commutateur du moteur à la position MARCHE.
7. Tourner le bouton de réglage de la pression à la moitié de la pression maximum. Ceci renverra le reste de peinture dans la trémie à peinture, en passant par la pompe et en remontant par le tube de retour avant d'arriver dans le pot de peinture.
8. Tourner le bouton de réglage de la pression dans le sens inverse des aiguilles d'une montre, pour atteindre la valeur minimum de pression.
9. Déclencher le pistolet pour réduire la pression et pour bloquer le pistolet.
10. Enlever la tête de pulvérisation et le protecteur. Mettre ces objets dans un récipient qui contient de l'eau ou le solvant qui convient au type de peinture utilisée.
11. Remplir la trémie de peinture avec de l'eau ou le solvant correspondant au type de matériau avec lequel vous êtes en train de peindre.
12. Augmenter la pression à la moitié de la pression maximum. Laisser l'eau ou le solvant circuler de 2 à 3 minutes pour bien rincer, de façon qu'il ne reste pas de peinture dans la pompe, la trémie à peinture ou le tube de retour.

Nettoyage du Tuyau à Peinture

1. Pour garder la peinture qui est restée dans le tuyau, défaire le cran de sûreté et actionner la détente du pistolet doucement, avec la tête de pulvérisation enlevée et placée contre le côté intérieur du récipient de la peinture.
2. Tourner le bouton de réglage de la pression dans le sens inverse des aiguilles d'une montre, pour atteindre la valeur de pression minimum.

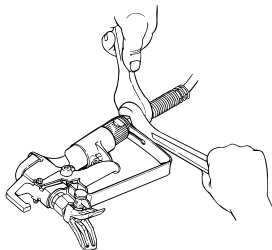
3. Tourner le bouton AMORCER/PULVÉRISER à la position PULVÉRISER.
4. Tourner le bouton de réglage de la pression doucement jusqu'à ce que la peinture commence à s'écouler dans le seau. Lorsque l'eau ou le solvant commence à entrer dans le seau, libérer la détente.
5. Changer l'eau ou le solvant et continuer la circulation pendant cinq minutes de plus, pour bien nettoyer le tuyau, la pompe et le pistolet.
6. Tourner le bouton de réglage de la pression dans le sens inverse des aiguilles d'une montre, pour atteindre la valeur minimum.
7. Tourner le bouton AMORCER/PULVÉRISER à la position AMORCER.
8. Déclencher le pistolet pour enlever toute pression qui puissent encore exister dans le tuyau.
9. Bloquer le pistolet en tournant le cran de sûreté pour qu'il soit parallèle au corps du pistolet.
10. Mettre le commutateur du moteur à la position ARRÊT.

Nettoyage du Pistolet

1. Enlever le pistolet du tuyau à peinture à l'aide de deux clés.
2. Enlever le boîtier du filtre du pistolet. Mettre le pistolet et l'ensemble du filtre dans un récipient qui contient de l'eau ou du solvant, pour les tremper.
3. Couvrir le récipient de peinture et le mettre de côté.
4. Nettoyer la tête de pulvérisation et le filtre du pistolet à l'aide d'une brosse souple. Mettre la tête de pulvérisation en position de nettoyage, avec la flèche orientée vers l'arrière du pistolet.



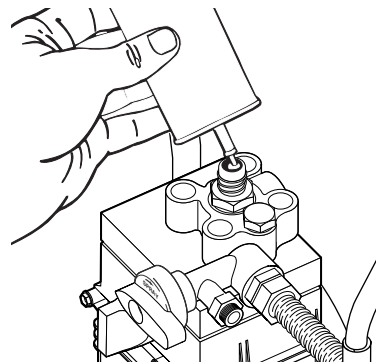
5. Attacher le tuyau à peinture au pistolet et le serrer à l'aide de deux clés à molettes.



6. Mettre le commutateur du moteur à la position MARCHÉ.
7. Débloquer la détente du pistolet en tournant le cran de sûreté pour qu'il soit parallèle à la poignée du pistolet.
8. Tourner le bouton AMORCER/PULVÉRISER à la position PULVÉRISER, puis braquer le pistolet sur le côté du seau de nettoyage.
9. Déclencher le pistolet, et tourner le bouton de réglage de la pression peu à peu, pour atteindre la moitié de la pression maximum. Continuer d'activer le pistolet pour une période d'environ 30 secondes.
10. Tourner le bouton de réglage de la pression dans le sens inverse des aiguilles d'une montre, jusqu'à ce qu'il atteigne son paramètre le plus bas.
11. Tourner le bouton AMORCER/PULVÉRISER à la position AMORCER.
12. Déclencher le pistolet pour décharger toute pression qui reste dans le tuyau.
13. Bloquer le pistolet en tournant le cran de sûreté pour qu'il soit parallèle au corps du pistolet.
14. Mettre le commutateur du moteur à la position ARRÊT.

Nettoyage final

1. Enlever l'ensemble embout.
2. Mettre le moteur en route (ON).
3. Mettre le bouton PRIME/SPRAY sur SPRAY (Pulvérisation).
4. Tourner le bouton de commande de la pression dans le sens des aiguilles d'une montre jusqu'à atteindre la moitié de la puissance.
5. Actionner le pistolet en le dirigeant dans le pot de nettoyage jusqu'à ce que la trémie soit vide.
6. Remplir la trémie et continuer à rincer le système jusqu'à ce que la solution sortant du pistolet ait une apparence propre.
7. Verrouiller le pistolet et ramener le bouton de commande de pression à son plus bas réglage en le tournant dans le sens inverse des aiguilles d'une montre.
8. Mettre le bouton PRIME/SPRAY sur PRIME (Amorçage).
9. Séparer la trémie de la soupape d'entrée.
10. Nettoyer les filets de la soupape d'entrée avec un chiffon humide.
11. Remplir la soupape d'entrée avec une huile légère (huile de machine à coudre). Augmenter lentement la pression pour que l'huile se répartisse dans toute la pompe.



12. Mettre le bouton PRIME/SPRAY sur SPRAY (Pulvérisation) pour répartir l'huile.

NOTA: Un bon nettoyage et la lubrification de la pompe après chaque usage constituent les actions les plus importantes pour garantir qu'elle fonctionnera à nouveau correctement après une période d'entreposage.

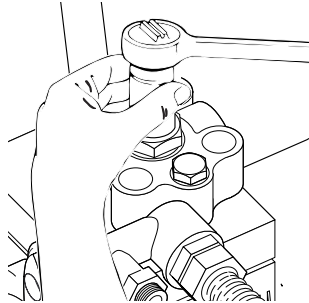
13. Ramener le bouton de commande de pression à son plus bas réglage en le tournant dans le sens inverse des aiguilles d'une montre.
14. Mettre le bouton PRIME/SPRAY sur PRIME (Amorçage).
15. Actionner le pistolet pour enlever toute pression résiduelle dans le tuyau.
16. Verrouiller le pistolet en tournant le cran d'arrêt de la détente pour qu'il soit parallèle au corps du pistolet.
17. Mettre le commutateur du moteur sur Arrêt (OFF).
18. Enlever le filtre de la trémie et le nettoyer dans de l'eau propre ou le solvant approprié. Utiliser un pinceau doux.
19. Remettre le filtre de trémie à sa place dans la trémie et replacer la trémie sur la soupape d'entrée.
20. Essuyer toutes les pièces, le tuyau et le pistolet avec un chiffon humide pour enlever toute trace de peinture.

Maintenance

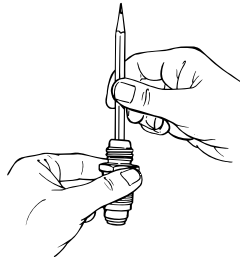
Suivre ces consignes lorsque les problèmes indiqués à la section sur le dépannage sont rencontrés.

Comment Enlever et Nettoyer la Soupape D'admission

1. Vérifier que le pulvérisateur n'est pas ne marche.
2. Enlever l'ensemble de la soupape d'admission à l'aide d'une clé polygonale ou à douille de 27 mm.



3. Vérifier le mouvement de la soupape en appuyant sur elle depuis l'extrémité ouverte de son boîtier, à l'aide d'un tournevis ou du bout gommé d'un crayon. La soupape devrait se déplacer d'environ 1/16 po. Si la soupape ne bouge pas, il faut la nettoyer ou la remplacer.



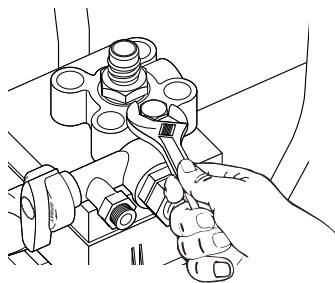
NOTA: Il faut lubrifier la soupape d'admission à l'huile après chaque travail, ce qui réduira ou éliminera des problèmes d'amorçage lors de la prochaine utilisation du pulvérisateur.

4. Nettoyer à fond l'ensemble de la soupape à l'eau ou au solvant approprié. Utiliser une petite brosse.
5. Si la soupape a été bien nettoyée et l'eau continue de couler du bas, la soupape est usée et doit être remplacée. Si l'on remplit une soupape bien logée dans son siège avec de l'eau et la tient en position verticale, il n'y aura pas d'écoulement d'eau.
6. Installer une soupape neuve ou nettoyée dans le corps de la pompe, puis remplir la soupape avec une huile légère ou un solvant.

Comment enlever et nettoyer la soupape de sortie

Il sera peut être nécessaire d'enlever et de nettoyer la soupape de sortie, ou bien de remplacer des pièces à l'intérieur de la soupape qui soient usées par l'utilisation normale.

1. Enlever le bouchon de la sortie à l'aide d'une clé.



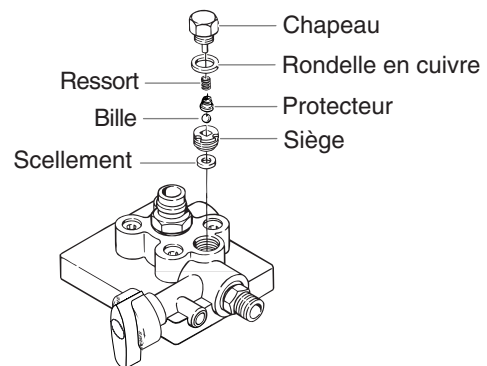
2. Laisser à sa place la rondelle en cuivre qui se trouve au-dessous du bouchon.

NOTA: Si la rondelle en cuivre tombe, il faut prendre soin de le remettre à sa place avec la même face tournée vers le haut. Le dessus de la rondelle montrera la marque du bouchon, tandis que le dessous devrait être parfaitement lisse, pour épouser le siège dans le corps de la pompe.

3. À l'aide d'un crochet de fil ou de brucelles, enlever et nettoyer le petit ressort qui se trouve à l'intérieur de la soupape. Remplacer le ressort s'il est cassé ou usé.

NOTA: Ce ressort est fabriqué de manière à avoir une tension très spécifique. Il faut donc éviter de le remplacer avec un ressort non autorisé. Consulter le schéma des pièces de l'ensemble de la pompe à peinture pour savoir le numéro de pièce exact du ressort.

4. Enlever l'ensemble du siège et de la bille à l'aide d'une clé hexagonale.
5. Nettoyer toutes les pièces à fond. Si l'on constate l'usure ou l'altération du siège ou de la bille, un remplacement avec de pièces neuves s'impose. La bille de carbure doit s'adapter très exactement à son siège pour que la soupape fonctionne comme il faut.
6. Avant de remonter les pièces, il faut les enduire toutes d'une couche mince d'huile légère.
7. Bloquer le siège de la soupape solidement à l'aide de la clé hexagonale de 3/8 po.
8. Mettre la bille de la soupape à sa place.
9. Insérer le protecteur et le ressort, et remettre le bouchon à sa place. Vérifier que la rondelle en cuivre est bien positionnée et que la languette du bouchon d'adapte à l'intérieur du ressort.
10. Bloquer le bouchon fermement à l'aide d'une clé à molette. Ne pas bloquer excessivement.



NOTA: Il est presque impossible de détecter l'usure de la bille à l'œil nu. Pour vérifier l'usure d'un ensemble de soupape de sortie, tourner le bouton de réglage de la pression dans le sens des aiguilles d'une montre jusqu'à sa valeur la plus élevée, puis faire passer de l'eau seulement à travers le pulvérisateur pour 10 à 15 minutes, sans déclencher le pistolet.

Si la soupape est défectueuse, le capuchon d'extrémité deviendra très chaud au toucher. Si la soupape fonctionne normalement, il restera à plus ou moins la même température que l'eau qui passe par l'appareil.

Nettoyage de la tête de pulvérisation

1. Purgez le pistolet avec du solvant dès votre travail terminé.
2. Huilez les goupilles cylindriques afin d'éviter qu'elles ne se grippent.

Si l'embout de pulvérisation est bouché, inverser la position du cône de pulvérisation au moyen du levier et tirer la détente. Une fois l'embout dégagé, relâcher la détente, remettre le cône à la position initiale et continuer à pulvériser.



AVERTISSEMENT

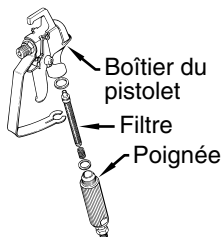
Ne pas essayer de nettoyer la tête avec vos doigts. Ne pas utiliser aiguille ou tout autre objet pointu pour nettoyer la tête qui, faite de carbure de tungstène, est fragile et risque de s'effriter.

Nettoyage du filtre

Nettoyez le filtre avec une brosse trempée dans du solvant. N'utilisez jamais un instrument pointu pour nettoyer le filtre.

Changement de filtre

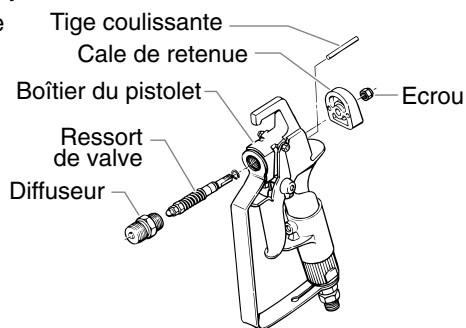
1. Tirez la protection de la gâchette vers l'avant afin de la détacher de la poignée.
2. Dévissez la poignée du boîtier et retirez le filtre usagé.
3. Faites glisser le nouveau filtre, bout pointu en premier, dans le boîtier du pistolet.
4. Remplacez la poignée, la rondelle et le ressort. Revissez, en la serrant bien à la main, la poignée dans le boîtier. Remplacez la protection de la gâchette.



Remplacement du ressort de valve

NOTA : Remplacez le joint si le pistolet ne fonctionne plus. Remplacez les goupilles coulissantes si celles-ci sont usées.

1. Dévisser l'embout.
2. Verrouiller le pistolet en position MARCHE et retirer le diffuseur au moyen d'une clé.
3. Déverrouiller le pistolet.
4. Dévisser l'écrou au moyen d'une clé et retirer le dispositif de retenue.
5. Enlever les tiges coulissantes avec soin et les entreposer dans un endroit sûr afin d'éviter de les perdre.
6. Ramener le ressort de soupape situé à l'arrière du dispositif de retenue vers l'avant au moyen d'un marteau en bois ou d'un outil semblable afin d'éviter d'endommager le ressort.



Choix du filtre approprié pour le pistolet de pulvérisation

Choisissez le filtre approprié en fonction du type de produit utilisé en vous reportant au tableau ci-dessous.

N° de pièce	Utilisation	Type de filtre	No de maille	Couleur du corps du filtre
0089960	Résine synthétique, émaux, vernis clair, teintures, azurs	Extra-fin	0,084 mm	rouge
0089959	Émaux de base, émaux primaires, bouche-pores, peintures à marquer, émaux texturés	Fin	0,140 mm	jaune
0089958	Émulsions, peintures au latex, peintures acryliques	Moyen	0,315 mm	blanc
0089957	Peintures garnissantes, grandes surfaces	Grossier	0,560 mm	vert

Nettoyage du tamis de la trémie

Le tamis au fond de la trémie à peinture peut nécessiter un nettoyage de temps en temps. Le vérifier chaque fois que l'on rajoute de la peinture. Pour retirer le tamis, le tirer de la trémie à l'aide d'une paire de pinces. Nettoyer le tamis avec de l'eau ou un solvant et un pinceau à poils doux au besoin.



Comment serrer le bouton AMORCER/PULVÉRISER

Les deux vis à tête creuse qui tiennent le couvercle extérieur du bouton AMORCER/PULVÉRISER peuvent prendre du jeu parfois, à cause des vibrations. Le couvercle peut alors tourner sans changer le réglage de la soupape. Si cette situation se produit, dévisser la vis en cause à l'aide d'une clé hexagonale de 1/16 po, tourner le bouton à la position PULVÉRISER, puis bien serrer la vis.

En cas de problème

Problème

Le pulvérisateur ne démarre pas.

Le pulvérisateur démarre, mais n'aspire pas de peinture lorsque le bouton AMORCER/PULVÉRISER est réglé à AMORCER.

Le pulvérisateur aspire de la peinture, mais la pression chute lorsque le pistolet est déclenché.

Le pulvérisateur ne s'arrête pas.

Le pistolet a des fuites.

L'ensemble de la tête de pulvérisation a des fuites.

Le pistolet ne pulvérise pas.

Un filage se produit dans la forme du jet de pulvérisation.

Le dispositif de protection thermique s'est déclenché et a fermé le pulvérisateur.

Cause

1. Le pulvérisateur n'est pas branché.
2. Le commutateur MARCHE/ARRÊT se trouve en position ARRÊT.
3. La tension provenant de la prise murale est faible ou inexistante.
4. On a fermé le pulvérisateur pendant qu'il était toujours sous pression.
5. La rallonge est endommagée ou a une capacité trop faible.
6. Le dispositif de protection thermique du pulvérisateur s'est déclenché.
7. Il y a un problème concernant le moteur.

1. L'appareil n'amorce pas correctement ou a perdu de l'amorçage.
2. La trémie à peinture est vide.
3. Le filtre de la trémie est encrassé.
4. La soupape d'admission est bloquée.
5. La soupape de sortie est bloquée.
6. La soupape AMORCER/PULVÉRISER est colmatée.
7. La soupape d'admission est usée ou endommagée.
8. Il y a un problème avec la membrane.
9. Le niveau de l'huile hydraulique est bas ou le réservoir est vide.

1. La tête de pulvérisation est usée.
2. Le filtre de la trémie est encrassé.
3. Le filtre du pistolet ou de la tête de pulvérisation est colmatée.
4. La peinture est trop lourde ou trop épaisse.
5. L'ensemble de la soupape de sortie est encrassé ou usé.
6. L'ensemble de la soupape d'admission est usé ou endommagé.

1. Il y a usure de la bille de la soupape d'admission ou de sortie, ou du siège de la bille.
2. Il y a accumulation de peinture ou de matière étrangère entre la bille et le siège.

1. Des pièces internes du pistolet sont encrassées ou usées.

1. La tête de pulvérisation a été mal montée.
2. Un joint d'étanchéité est usé.

1. La tête de pulvérisation, le filtre du pistolet ou le filtre de la tête de pulvérisation est colmaté.
2. La tête de pulvérisation se trouve à la position NETTOYER.

1. La pression est réglée à une valeur trop basse.
2. Le pistolet, la tête de pulvérisation ou le filtre de la trémie est colmaté.
3. La tête de pulvérisation est usée.
4. La peinture est trop épaisse.

1. Il y a eu une surchauffe du moteur.
2. La rallonge est trop longue, ou son calibre est trop petit.
3. Il y a eu accumulation de peinture sur le moteur.
4. Le moteur a démarré pendant que le pulvérisateur était sous pression.
5. The sprayer was sitting in the hot sun.

Solution

1. Brancher le pulvérisateur.
2. Mettre le commutateur MARCHE/ARRÊT en position MARCHE.
3. Effectuer les essais de la tension du bloc d'alimentation qui s'imposent.
4. Tourner le bouton AMORCER/PULVÉRISER à la position AMORCER.
5. Remplacer la rallonge.
6. Permettre au moteur de se refroidir, puis déplacer le pulvérisateur dans un lieu moins chaud.
7. Apporter le pulvérisateur à un centre d'entretien autorisé pour les produits SprayTECH.

1. Essayer de nouveau à amorcer l'appareil.
2. Remettre de la peinture dans la trémie à peinture.
3. Nettoyer le filtre de la trémie.
4. Nettoyer la soupape d'admission.
5. Nettoyer la soupape de sortie et remplacer toute pièce usée.
6. Apporter le pulvérisateur à un centre d'entretien autorisé pour les produits SprayTECH.
7. Remplacer la soupape d'admission.
8. Apporter le pulvérisateur à un centre d'entretien autorisé pour les produits SprayTECH.
9. Apporter le pulvérisateur à un centre d'entretien autorisé pour les produits SprayTECH.

1. Remplacer la tête de pulvérisation avec une nouvelle tête.
2. Nettoyer le filtre de la trémie.
3. Nettoyer le filtre ou le remplacer avec un filtre convenable. Garder toujours un stock de filtres de rechange.
4. Diluer la peinture ou la passer par un tamis.
5. Nettoyer ou remplacer l'ensemble de la soupape de sortie.
6. Remplacer la soupape d'admission.

1. Apporter le pulvérisateur à un centre d'entretien autorisé pour les produits SprayTECH.
2. Apporter le pulvérisateur à un centre d'entretien autorisé pour les produits SprayTECH.

1. Apporter le pulvérisateur à un centre d'entretien autorisé pour les produits SprayTECH.

1. Vérifier l'ensemble de la tête de pulvérisation et la monter correctement.
2. Remplacer le joint d'étanchéité.

1. Nettoyer la tête de pulvérisation le filtre du pistolet ou le filtre de la tête de pulvérisation.
2. Mettre la tête de pulvérisation en position PULVÉRISER.

1. Augmenter la pression.
2. Nettoyer les filtres.
3. Remplacer la tête de pulvérisation.
4. Diluer la peinture.

1. Permettre à l'appareil de se refroidir pendant 30 minutes.
2. Permettre à l'appareil de se refroidir pendant 30 minutes, puis remplacer la rallonge avec une rallonge plus courte ou d'un plus gros calibre.
3. Enlever la peinture du moteur.
4. Relancer le pulvérisateur en mode AMORCER.
5. Déplacer le pulvérisateur pour qu'il ne soit plus en plein soleil.

NOTA: Lorsque la soupape AMORCER/PULVÉRISER est réglée à AMORCER et il y a un écoulement par le tube de retour, enlever la soupape AMORCER/PULVÉRISER et la nettoyer ou remplacer.

NOTA: Le moteur électrique devrait propre et sec en tout temps. La peinture a un effet d'isolement, et par conséquent, une accumulation de peinture sur le moteur peut provoquer la surchauffe.

Índice

Componentes	26
Descripción general	26
Especificaciones	26
Advertencias de seguridad	27-28
Instrucciones para la puesta a tierra	28
Disposición	29
Conectando el Asa	29
Para fijar la manguera de pintura	29
Para fijar la boquilla	29
Procedimiento para liberar la presión	30
Cebadura	30-31
Para preparar para cebar	30
Montando la Tolva de Pintura	31
Conectando el Tubo de Retorno	31
Para cebar la bomba	31
Para Atomizar	32
Técnica para atomizar	32
Práctica	32
Limpieza	33-34
Almacenamiento durante la noche	33
Almacenamiento de largo plazo	33-34
Mantenimiento	35-36
Para quitar y limpiar las válvulas de entrada	35
Para quitar y limpiar la válvula de salida	35
Para limpiar la boquilla de atomización	36
Para limpiar el filtro	36
Para reemplazar la unidad de resorte de la válvula	36
Para escoger el filtro de pistola de atomización correcto	36
Limpiando la Malla de la Tolva	36
Para apretar la perilla PRIME/SPRAY (cebar/atomizar)	36
Detección de problemas	37
Diagramas de las piezas	38-41
Ensambla Fina	38
Ensamble de la Tolva	39
Conjunto de la bomba de pintura	40
Pistola de atomización G-10	41
Garantía	44

Componentes

El envase de cartón de su sistema para aplicación de pintura contiene lo siguiente:

- Banco, motor y bomba adheridos
- Asa y dos pernos del asa
- Tolva de pintura y tubo de retorno
- Pistola de atomización y filtro.
- Boquilla de atomización y empaque.
- Manguera de presión.

En el material impreso que viene con este manual del operador se encuentra lo siguiente:

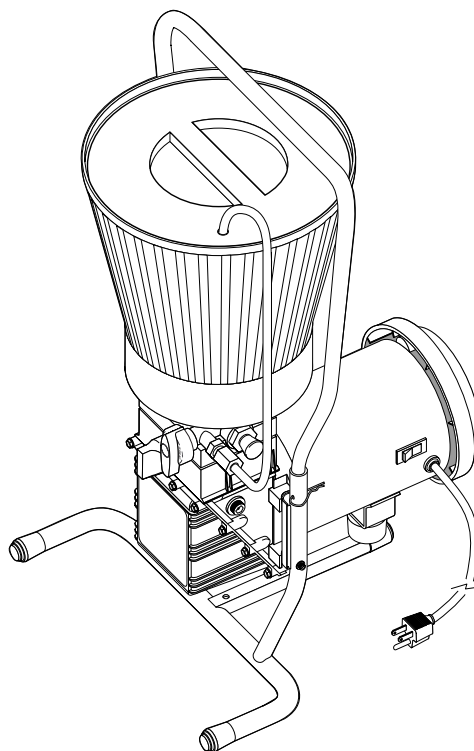
- Tarjeta de registro.

Descripción general

Este atomizador de alta calidad sin aire es una herramienta eléctrica de precisión que se usa para atomizar muchos tipos de material. Lea y siga con atención el contenido de este manual de instrucción para conocer las instrucciones de operación apropiadas y la información sobre mantenimiento y seguridad.

Especificaciones

Peso.....	27 libras
Capacidad.....	Hasta 0.35 galones (1.25 litros) por minuto.
Fuente de energía	Motor eléctrico, completamente encerrado y enfriado por ventilador.
Requerimientos de energía	Circuito mínimo de 15 amperios con una CA de 115 voltios y 60 Hz.
Generador.....	15 amperios, CA.
Presión de atomización	Hasta 2600 lb/pulg ² .
Características de seguridad....	Seguro y difusor de presión de la pistola de atomización; protector de seguridad de la boquilla integrado; perilla de cebadura para liberar en forma segura la presión.
Capacidad de transportación....	Diseño compacto y peso liviano para moverse fácilmente.
Capacidad	Atomiza una variedad de pinturas, a base de aceite, de látex, imprimadores, tintes, agentes de preservación y otros materiales no abrasivos, entre los que se incluyen pesticidas y fertilizantes líquidos.



Advertencias de seguridad

Este manual contiene información que debe leer y comprender antes de usar el equipo. Cuando se encuentre con uno de los siguientes símbolos, asegúrese de observar sus indicaciones de seguridad.

ADVERTENCIA

Este símbolo indica la existencia de un peligro potencial que puede causar lesiones graves o la muerte. Después del mismo se incluye información de seguridad importante.

PRECAUCION

Este símbolo indica la existencia de un peligro potencial para usted o el equipo. Después del mismo se incluye información importante que indica la forma de evitar daños al equipo o la forma de prevenir lesiones menores.

NOTA: los avisos contienen información importante, présteles especial atención.

PRECAUCION

LA UNIDAD CUENTA CON UN MECANISMO DE RESTABLECIMIENTO AUTOMÁTICO TÉRMICAMENTE PROTEGIDO. EL MECANISMO DE RESTABLECIMIENTO AUTOMÁTICO TÉRMICAMENTE PROTEGIDO HACE QUE EL MOTOR SE DESCONECTE DEL SUMINISTRO DE ENERGÍA SI SE PRESENTA UNA SOBRECARGA.

- El motor arrancará de nuevo sin ninguna advertencia cuando el protector se restablezca automáticamente.
- Desconecte siempre el motor del suministro de energía antes de empezar a trabajar con el equipo.
- Cuando el mecanismo de restablecimiento automático térmicamente protegido haga que el motor se desconecte del suministro de energía, gire la válvula de cebadura hasta la posición PRIME (cebar) para liberar la presión.
- Gire el interruptor ON/OFF (encendido/apagado) hasta la posición OFF (apagado).

NOTA: La causa de la sobrecarga debe corregirse antes de arrancar de nuevo. Vea la sección DETECCIÓN DE PROBLEMAS.

ADVERTENCIA

PELIGRO: LESIÓN DE PERFORACIÓN – Este equipo produce un chorro de pintura a alta presión que puede perforar la piel y los tejidos que se encuentran abajo, ocasionando lesiones graves y la posible amputación.

¡NO SE TRATE COMO UNA SIMPLE CORTADURA! la perforación de la piel puede llevar a la amputación. Véase inmediatamente a un médico.

El valor máximo de operación de la pistola corresponde a una presión de fluido de 2800 lb/pulg².

PREVENCIÓN:

- JAMAS apunte la pistola hacia cualquier parte de su cuerpo.
- JAMAS permita que alguna parte de su cuerpo entre en contacto con el chorro. EVITE TENER CONTACTO con el fluido que salga de fugas que haya en la manguera de fluido.
- JAMAS ponga su mano delante de la pistola. Los guantes no proporcionan protección adecuada contra lesiones de perforación.

- Bloquee SIEMPRE el gatillo de la pistola, apague la bomba de fluido y libere toda la presión antes de dar mantenimiento, limpiar el protector de la boquilla, cambiar las boquillas o dejar desatendido el sistema. La presión no se liberará al apagar el motor. Para liberar la presión debe girarse la perilla PRIME/SPRAY hasta la posición PRIME. Consulte el PROCEDIMIENTO DE LIBERACIÓN DE PRESIÓN que se describe en este manual.
- SIEMPRE desenchufe la pistola de pulverización antes de dar servicio, limpiar el protector de la punta, cambiar las boquillas o dejar la pistola sin supervisión.
- Quite SIEMPRE la boquilla del atomizador antes de enjuagar o limpiar el sistema.
- Pueden desarrollarse fugas en la manguera de pintura por causa del desgaste, retorcimientos o el abuso. Una fuga es capaz de inyectar el material en la piel. Inspeccione antes la manguera de pintura cada vez que la use.
- No use NUNCA una pistola de atomización que no tenga un bloqueador o un protector de gatillo puesto y que funcione.
- Todos los accesorios deben tener una capacidad de 2800 lb/pulg² o mayor. Esto incluye las boquillas de atomización, las pistolas, las extensiones y la manguera.

NOTA PARA EL MÉDICO:

Il a perforación de la piel constituye un serio traumatismo. Es importante tratar quirúrgicamente la herida lo más pronto posible. NO RETRASE el tratamiento para poder estudiar la toxicidad. La toxicidad es importante cuando determinadas resinas exóticas penetran directamente en el torrente sanguíneo. Se recomienda consultar con un cirujano plástico o un cirujano especializado en la reconstrucción de las manos.

PELIGRO: EXPLOSION O FUEGO - Los vapores emitidos por solventes y pinturas pueden explotar o incendiarse, causando daños a la propiedad y/o severas lesiones personales.

PREVENCIÓN:

- Suministre aire fresco y de escape para evitar la acumulación de vapores inflamables en el ambiente que rodea al pulverizador.
- Evite cualquier fuente de encendido como las chispas de electricidad estática, llamas, luces piloto, objetos calientes, cigarrillos y chispas producidas por la conexión o desconexión de cables de alimentación eléctrica o conmutadores de luces.
- Mantenga equipo de extinción cerca y en buenas condiciones.
- Mantenga la bomba lejos del área de atomización para evitar los vapores de solvente y pintura.
- Un flujo de material con una velocidad elevada que atraviese el equipo puede generar electricidad estática. El equipo que se utilice, así como los objetos que estén dentro y alrededor del área de atomización, deben conectarse a tierra de manera apropiada para prevenir las descargas eléctricas y las chispas.
- Use solamente mangueras para fluidos de alta presión conductoras o conectadas a tierra para las aplicaciones sin aire. Asegúrese de que la pistola esté conectada a tierra de manera apropiada mediante conexiones de manguera.
- Observe las precauciones y advertencias de seguridad del fabricante con respecto al uso de sustancias y solventes.
- Cuando enjuague el equipo utilice la presión más baja posible.

⚠️ ADVERTENCIA

PELIGRO: EXPLOSIONES OCASIONADAS POR SUBSTANCIAS INCOMPATIBLES - Pueden causar daños a la propiedad o lesiones graves.

PREVENCIÓN:

- No use blanqueadores.
- No use solventes que contengan hidrocarburos halogenados, como el cloruro de metileno y el 1,1,1-tricloroetano. Estas sustancias no son compatibles con el aluminio y podrían ocasionar una explosión. Si tiene dudas acerca de la compatibilidad de una sustancia con el aluminio, póngase en contacto con su proveedor de recubrimientos.

PELIGRO: VAPORES PELIGROSOS - Las pinturas, los solventes, los insecticidas y otras sustancias pueden ser dañinos al inhalarse y causar severas náuseas, desmayos o envenenamiento.

PREVENCIÓN:

- Use un respirador o una mascarilla cuando exista la posibilidad de inhalación de vapores. Léanse todas las instrucciones incluidas con las sustancias que se vayan a rociar y con la mascarilla para asegurar la protección necesaria contra la inhalación de vapores dañinos.

PELIGRO: GENERAL - Puede causar daños a la propiedad o severas lesiones.

PREVENCIÓN:

- Antes de operar cualquier equipo, lea todas las instrucciones y los avisos de seguridad del equipo y de las sustancias que se vayan a rociar.
- Observe todas las normas locales, estatales y nacionales relativas a la ventilación, prevención y operación.
- Los Estándares de Seguridad del Gobierno de los Estados Unidos se han adoptado bajo el Acta de Seguridad y Salud Ocupacionales (OSHA por sus siglas en inglés). Deben consultarse estos estándares, particularmente la parte 1910 de los Estándares Generales y la parte 1926 de los Estándares de la Construcción.
- La bomba de alta presión sin aire está diseñada para usarse solamente con piezas autorizadas por el fabricante. Cuando se use esta bomba con piezas que no cumplan con las especificaciones mínimas ni con los dispositivos de seguridad del fabricante de la bomba, el usuario asumirá todos los riesgos y responsabilidades legales.
- Antes de usarlo cada vez, revise todas las mangueras para ver que no tengan cortadas, fugas, una cubierta desgastada por abrasión o con abolladuras, así como uniones dañadas o que se hayan movido. Si existiera cualquiera de estas condiciones, reemplace la manguera inmediatamente. No repare nunca una manguera de pintura. Reemplácela con otra manguera conectada a tierra.
- Todas las mangueras, soportes giratorios, pistolas y accesorios que se usen con esta unidad deben tener una capacidad de presión de 2800 lb/pulg² o mayor.
- No atome en días con viento.

⚠️ PRECAUCIÓN

Use sólo un cable de extensión de tres hilos que tenga un enchufe con tres contactos y un tomacorriente con conexión de tierra que sea compatible con el enchufe del producto. Asegúrese que su cable de extensión esté en buenas condiciones. Cuando use un cable de extensión, asegúrese de usar uno que pueda soportar la corriente que consuma su producto. Para distancias inferiores a 50 pies, use un cable de extensión AWG No. 18. Para distancias mayores de 50 pies use un cable de extensión AWG No. 14 ó 16. Un cable de menor capacidad causará una caída del voltaje de la línea, ocasionando pérdida de potencia y recalentamiento. Se recomienda un alambre de calibre 14 ó 12.

NOTA: No use una extensión de más de 100 pies. Si necesita pintar a una distancia que esté más allá de 100 pies de su fuente de energía, alargue la manguera de pintura, no la extensión. Las extensiones más cortas asegurarán que se tenga la máxima energía eléctrica para una operación apropiada.

Instrucciones para la puesta a tierra

Este producto debe aterrarse. En el caso de producirse algún cortocircuito, la conexión a tierra reduce el riesgo de electrocución al proveer un alambre de escape de la corriente eléctrica. Este producto incluye un cable que contiene un hilo de puesta a tierra que se une a un enchufe de puesta a tierra. El enchufe debe insertarse en un tomacorriente que esté instalado en forma adecuada y aterrado de acuerdo a todas las normas y los reglamentos locales.

⚠️ ADVERTENCIA

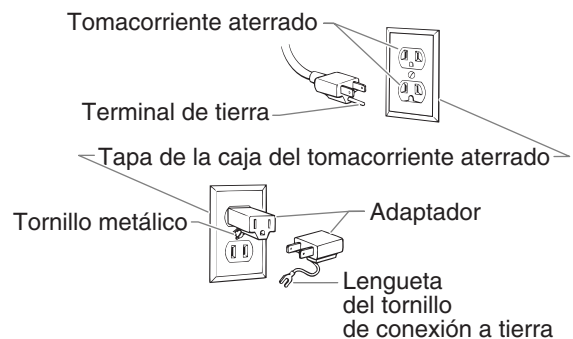
¡Peligro! La instalación incorrecta del enchufe de tierra puede resultar en electrocución.

Si tiene que reparar o reemplazar el cable o el enchufe, no conecte el hilo verde de puesta a tierra a ninguno de los dos conectores planos del enchufe. El hilo recubierto con material aislante verde (con o sin líneas amarillas), es el hilo de puesta a tierra y debe conectarse al terminal de tierra.

Si no comprende bien las instrucciones de puesta a tierra, o si tiene dudas acerca de la puesta a tierra del producto, consulte con un electricista calificado o un especialista en reparaciones. No modifique el enchufe incluido. Si el enchufe no entra en el tomacorriente, haga que un electricista calificado instale un tomacorriente adecuado.

Este producto tiene un enchufe de puesta a tierra, similar al de la ilustración de abajo, y debe conectarse a un circuito nominal de 120 voltios. Si no hay un tomacorriente adecuado disponible, se puede usar un adaptador temporal, similar al de la ilustración de abajo, para conectar el enchufe a un tomacorriente de 2 polos según se indica.

El adaptador temporal sólo debe usarse hasta que un electricista calificado instale un tomacorriente aterrado, similar al de la ilustración de abajo. La lengüeta rígida de color verde, o el hilo de puesta a tierra que sale del adaptador, debe conectarse a un elemento aterrado de forma permanente, como la tapa de la caja de un tomacorriente conectado a tierra. Cuando use el adaptador, debe sostenerlo en posición con un tornillo metálico.

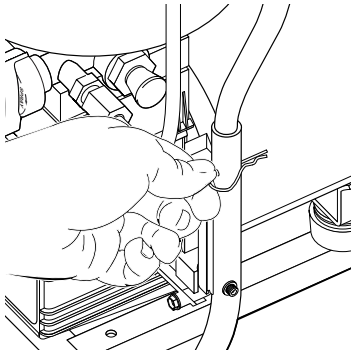


Disposición

Conectando el Asa

NOTA: El atomizador debe permanecer desconectado durante el ensamble.

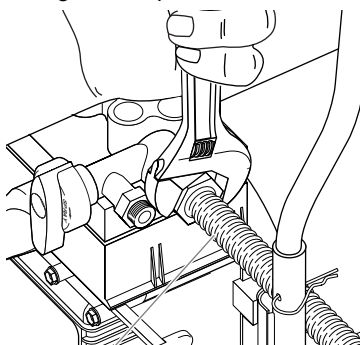
1. Deslice el asa en el banco hasta que los agujeros en el asa se alineen con los agujeros en el banco.
2. Deslice los pernos de lasa a través de los agujeros en el banco y el asa para asegurar el asa en su sitio.



3. Deslice el manubrio del carro sobre el armazón. Cerciñese de que el gancho de la manguera quede viendo hacia la bomba.
4. Deslice un perno a través del manubrio y del armazón, ponga una rondana al final del perno y enrósquele una tuerca de mariposa.

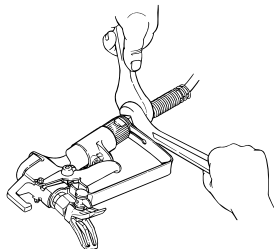
Para Fijar la Manguera de Pintura

1. Fije la manguera de alta presión en el orificio de salida de la manguera de pintura. Use una llave de tuercas para apretar la manguera de pintura de manera segura.



Manguera de alta presión

2. Fije la pistola en el otro extremo de la manguera de alta presión. Apriétela de manera segura usando dos llaves de tuercas.



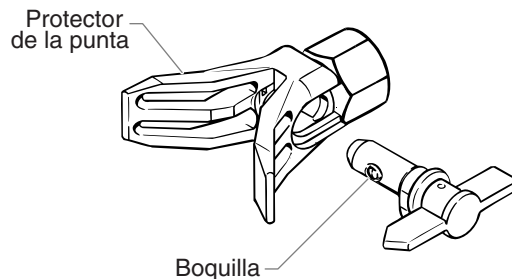
3. Conecte el atomizador en un enchufe que esté debidamente conectado a tierra o en una extensión conectada a tierra para grandes amperajes. No use una extensión de más de 100 pies. Si tiene que atomizar a una distancia, desde de la fuente de energía, que sea significativa, alargue la manguera de pintura, no use más extensiones. Use extensiones que sean de calibre 16 como mínimo y tengan una longitud hasta de 50 pies, o extensiones de calibre 12 ó 14 que midan entre 50 y 100 pies de longitud.

Para Fijar la Boquilla

Para Ensamblar la Boquilla

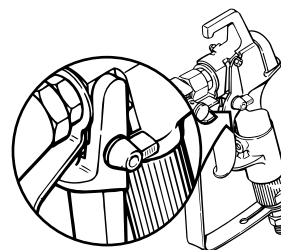
Si la boquilla del atomizador no está ensamblada:

1. Inserte la boquilla dentro del protector del atomizador y gírela hasta la posición de atomización de manera que la flecha quede apuntando hacia el frente de la pistola de atomización.



Para Fijar la Boquilla en la Pistola.

1. Bloquee la pistola dándole vuelta al interruptor de seguridad de la pistola de manera que quede paralelo al mango.



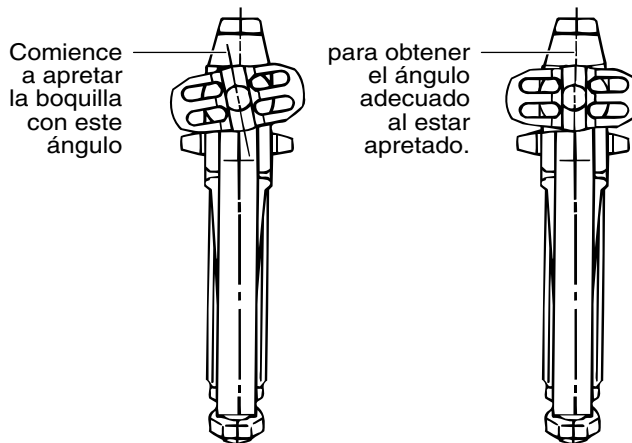
Pistola cerrada (pistola no pintará)

⚠ ADVERTENCIA

PELIGRO DE INYECCIÓN PROBABLE. No atomice sin que el protector de la boquilla esté puesto. No dispare nunca la pistola a menos que la boquilla esté en la posición de atomización o en la de desobstrucción. Trabe siempre el interruptor de seguridad de la pistola antes de que quite, reemplace o limpie la boquilla.

2. Inserte el filtro dentro de la pistola a través del sello del filtro.
3. Enrosque la boquilla del atomizador en la pistola. Apriete la tuerca primero con la mano y después más firmemente, con una llave de tuercas.

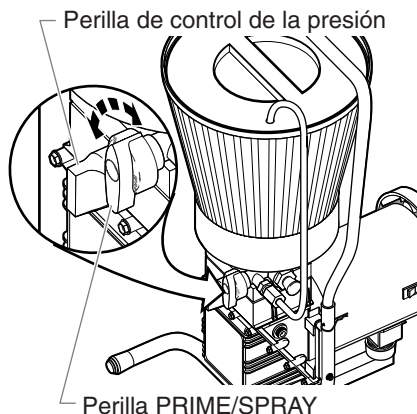
NOTA: Cuando fije la boquilla de la pistola, alinee el protector de la boquilla como se muestra en la figura que aparece a continuación, y apriétela después con una llave de tuercas.



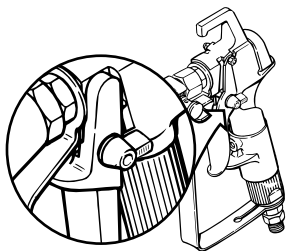
Para liberar la presión procedimiento

Siga este procedimiento después de que la unidad esté ensamblada y antes de que inicie cualquier operación en la que esté involucrada la pistola de atomización, como son la limpieza y el mantenimiento o el cambio de boquillas o accesorios.

1. Gire la perilla de control de la presión en dirección opuesta a las manecillas del reloj hasta la posición más baja.



2. Gire la perilla PRIME/SPRAY hasta la posición PRIME.
3. Dispare la pistola para eliminar cualquier presión que pudiera haber todavía en la manguera.
4. Bloquee la pistola dándole vuelta al interruptor de seguridad de la pistola de manera que quede paralelo al mango.



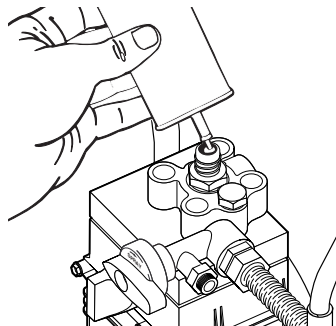
⚠ ADVERTENCIA

Peligro de inyección. No atomice sin que el protector de la boquilla esté puesto. No dispare NUNCA la pistola a menos que la boquilla se haya girado por completo hasta la posición de atomización o la de desobstrucción. Trabe SIEMPRE el interruptor de seguridad de la pistola antes de que quite, reemplace o limpie la boquilla.

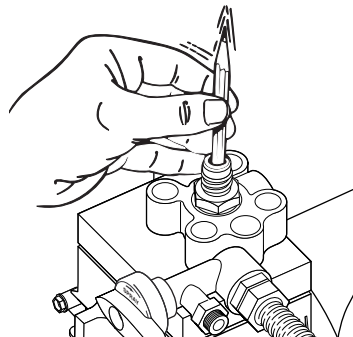
Cebadura

Para Preparar para Cebear

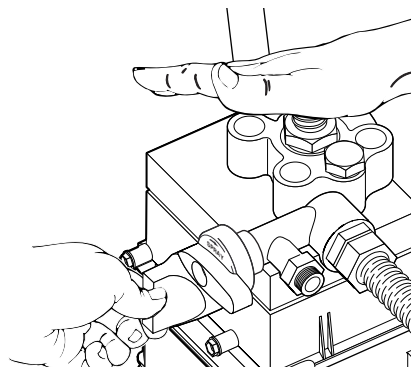
1. Llene la válvula de admisión con agua o aceite doméstico ligero.



2. Cerciórese de que la perilla PRIME/SPRAY esté fija en la posición PRIME y que la perilla de control de la presión se haya girado en dirección opuesta a las manecillas del reloj hasta la posición de presión más baja.
3. Gire el interruptor del motor hasta la posición ON (encendido).
4. Aumente la presión girando 1/2 vuelta la perilla de control de la presión en dirección de las manecillas del reloj.
5. Haga que la válvula de entrada se abra y se cierre ejerciendo presión sobre ella con un destornillador o con el extremo de borrador de un lápiz. Debe moverse hacia arriba y hacia abajo 1/16 de pulgada. Continúe hasta que el atomizador haya succionado el agua o aceite. Esto humedecerá las piezas que se muevan y desprenderá cualquier residuo de pintura.



6. Ponga la palma de su mano sobre la entrada. Gire la perilla de control de la presión hasta su posición máxima. Debe sentir el efecto de succión que sale de la válvula de entrada. Si no lo siente, consulte la sección sobre la limpieza y mantenimiento de la válvula de salida.



7. Gire la perilla de control de la presión en dirección opuesta a las manecillas del reloj hasta la posición de la presión mínima.
8. Gire el interruptor del motor hasta la posición OFF.

Montando la Tolva de Pintura

1. Alinee el fondo de la tolva de pintura con la válvula de admisión roscada en el bloque de la bomba de pintura.
2. Gire la tolva de pintura a la derecha para enroscarla a la válvula de admisión. Siga girando la tolva de pintura hasta quedar asegurada en la válvula de admisión.

NOTA: Asegure que las roscas estén rectas y que la tolva gire libremente en la válvula de admisión. No trasrosque.

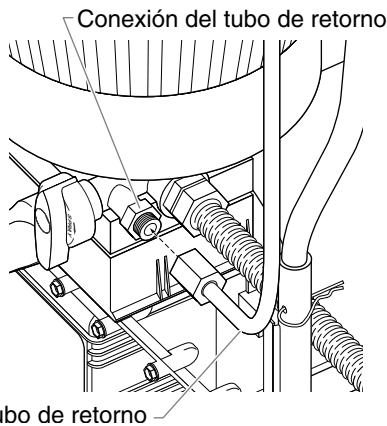
3. Coloque la malla filtro en el fondo de la tolva de pintura y sujete en su posición.

Conectando el Tubo de Retorno

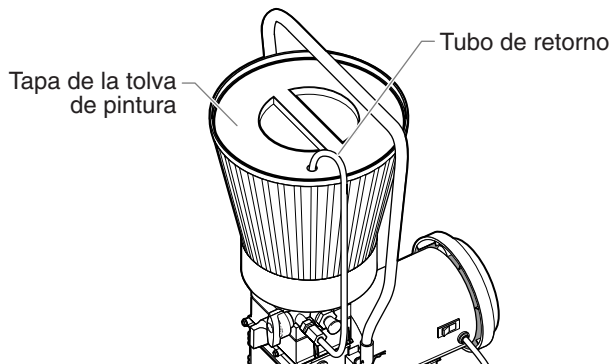
1. Asegúrese de que el interruptor del motor se haya girado hasta la posición OFF (apagado).
2. Enrosque la conexión del tubo de retorno que se halla en la literatura en el puerto del tubo de retorno al lado de la bomba y apriete a mano con firmeza.

NOTA: No aprietan demasiado mucho. Apretar por la mano única. Algunos hilos serán visibles parejos cuando totalmente apretaron.

3. Coloque el extremo recto del tubo de retorno en la conexión del tubo de retorno.

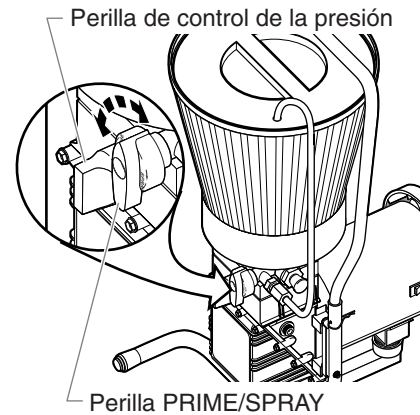


4. Apriete la tuerca en el tubo de retorno a la conexión del tubo de retorno y apriete hasta que el tubo de retorno esté seguro.
5. Coloque el extremo gancho del tubo de retorno en el agujero en la tapa de la tolva de pintura.



Para Cebiar la Bomba

1. Gire la perilla de control de la presión en dirección opuesta a las manecillas del reloj hasta su posición de presión más baja.



2. Gire la perilla PRIME/SPRAY hasta la posición PRIME.
3. Gire el interruptor del motor hasta la posición ON.
4. Gire la perilla de control de la presión en dirección de las manecillas del reloj hasta una posición intermedia entre la presión media y la total. Debe ver que la pintura pasa a la bomba a través del tubo de succión. Deje que la unidad se cebé de 1 a 2 minutos después de que la pintura comience a fluir a través del tubo de retorno.

⚠ PRECAUCION

Reduzca siempre la presión hasta cero antes de que cambie la posición de la perilla de cebadura. Si no lo hace podría dañar el diafragma de la bomba de pintura.

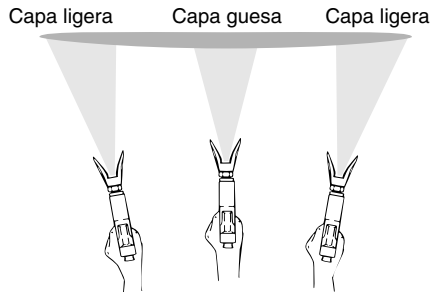
⚠ PRECAUCION

Si la perilla de control de la presión se reduce hasta cero y la perilla PRIME/SPRAY permanece en la posición SPRAY mientras el atomizador está funcionando, habrá una elevada presión en la manguera y en la pistola de atomización que permanecerá hasta que se gire la perilla de cebadura a la posición PRIME o hasta que se dispare la pistola de atomización para liberar la presión.

Para atomizar

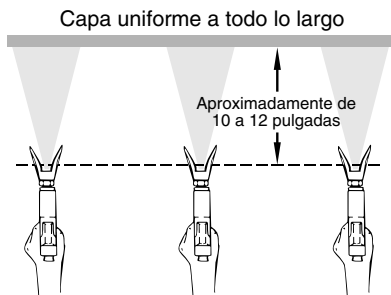
Técnica para atomizar

La clave para lograr un buen trabajo de pintura consiste en aplicar un revestimiento uniforme a través de toda la superficie. Esto se logra empleando descargas uniformes. Mantenga el brazo moviéndose a una velocidad constante y la pistola de atomización a una distancia de la superficie también constante. La mejor distancia para atomizar es de 10 a 12 pulgadas, entre la boquilla del atomizador y la superficie.



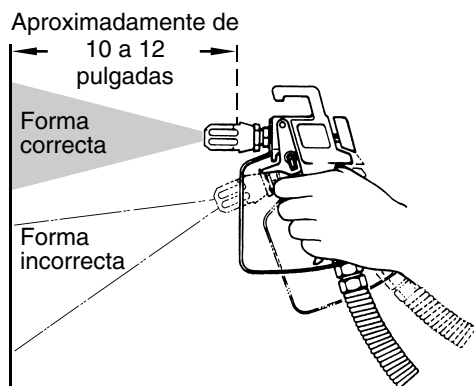
No flexione la muñeca mientras atomice.

Mantenga la pistola de atomización en ángulo recto con la superficie. Esto significa que debe mover todo el brazo de un lado para otro en lugar de flexionar sólo la muñeca.



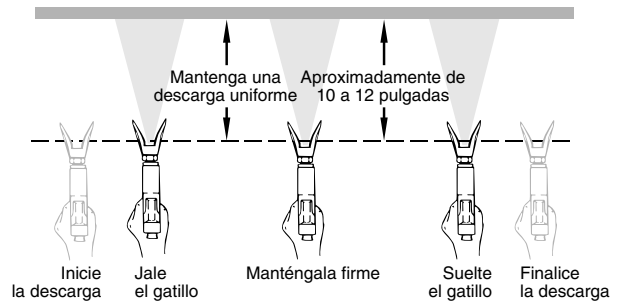
Mantenga una descarga que sea suave y a una velocidad uniforme.

Mantenga la pistola de atomización perpendicular a la superficie; de lo contrario un extremo del patrón quedará más grueso que el otro.



La pistola de atomización debe dispararse encendiéndola y apagándola cada vez que se haga una descarga. Con esto se ahorrará pintura y se evitará una acumulación de pintura al final de cada descarga. No dispare la pistola en medio de una descarga. Esto traería como consecuencia que la atomización no fuera uniforme y el recubrimiento tuviera salpicaduras.

Forma apropiada de disparar la pistola de atomización



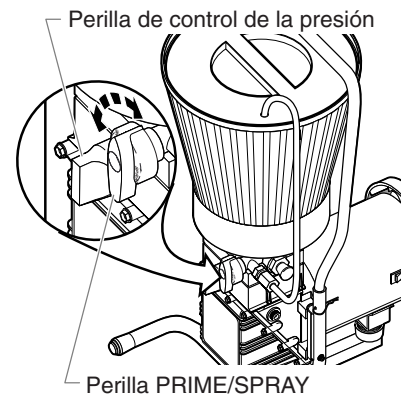
Al efectuar las descargas haga que las capas se traslapen aproximadamente un 30%. Con esto se asegurará un revestimiento uniforme.

Cuando deje de pintar, bloquee el interruptor de seguridad de la pistola. Gire la perilla de control de la presión en dirección opuesta a las manecillas del reloj hasta la posición más baja y fije la perilla de cebadura en la posición PRIME. Gire el interruptor del motor hasta la posición OFF y desconecte el atomizador.

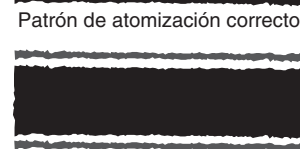
Si espera ausentarse por más de 1 hora, siga el procedimiento de limpieza de corto plazo que se describe en la sección LIMPIEZA de este manual.

Práctica

1. Asegúrese de que la manguera de pintura no esté retorcida ni cerca de objetos con orillas cortantes filosas.
2. Gire la perilla de control de la presión en dirección opuesta a las manecillas del reloj hasta su posición más baja.



3. Gire la perilla PRIME/SPRAY hasta la posición SPRAY.
4. Gire la perilla de control de la presión en dirección de las manecillas del reloj hasta su posición más alta. La rigidez de la manguera de pintura debe aumentar a medida que la pintura empiece a fluir a través de ella.
5. Desbloquee el interruptor de seguridad de la pistola dándole vuelta al interruptor hasta que quede paralelo al manubrio.
6. Dispare la pistola de atomización para dejar escapar aire de la manguera.
7. Cuando la pintura llegue a la boquilla del atomizador, atomice un área de prueba para comprobar el patrón de atomización.
8. Use la posición de presión más baja que sea necesaria para obtener un buen patrón de atomización. Si se fija una presión demasiado alta, el patrón de atomización será muy ligero. Si se fija una presión demasiado baja, aparecerá un patrón de pintura que se desvanece gradualmente o la pintura salpicará como gotas grandes en lugar de una atomización fina.



Patrón de desvanecimiento de pintura

Limpeza

Almacenamiento Durante la Noche

Paro

1. Bloquee la pistola dándole vuelta al interruptor de seguridad de la pistola hasta que quede paralelo al mango.
2. Gire la perilla de control de la presión en dirección opuesta a las manecillas del reloj hasta la posición mínima.
3. Gire la perilla PRIME/SPRAY hasta la posición PRIME.
4. Gire el interruptor del motor hasta la posición OFF y desconecte el atomizador.
5. Para los materiales de látex solamente, vacíe 1/2 taza de agua lentamente sobre la parte superior de la pintura para prevenir que la pintura se seque. Para otros materiales, selle la tolva de pintura con la tapa de la tolva conservando el tubo de retorno en la pintura.



6. Envuelva el conjunto de la pistola de atomización con una tela húmeda y póngalo en una bolsa de plástico. Selle la bolsa para cerrarla.



7. Ponga el atomizador en un lugar seguro, fuera del alcance del sol, para almacenarlo a corto plazo.

Arranque

1. Saque la pistola de la bolsa de plástico.
2. Para los materiales de látex, agite el agua que está en la pintura. Quite la tapa de la tolva de la tolva de pintura y agite la pintura para todos los demás materiales.



3. Revise para estar seguro de que la perilla PRIME/SPRAY esté fija en la posición PRIME y que la presión ha disminuido por completo.
4. Conecte el atomizador y gire el interruptor del motor hasta la posición ON.
5. Gire la perilla PRIME/SPRAY hasta la posición SPRAY y gradualmente gire la perilla de control de la presión en dirección de las manecillas del reloj para aumentar la presión.
6. Pruebe el atomizador en un pieza de práctica y comience a atomizar.

Almacenamiento de Largo Plazo

⚠️ ADVERTENCIA

No permita que la pintura se acumule en el motor pues el motor se sobrecalentará. No permita que los solventes inflamables tengan contacto con el motor pues podrían encenderse.

NOTA: Necesitará una cubeta, una solución limpiadora, un cepillo de dientes, una llave de tuercas y trapos para limpiar.

NOTA: Si atomiza con una pintura de látex, use agua jabonosa tibia para limpiar. Si usa pinturas de aceite o con base alquídica, use solventes derivados del petróleo o diluyentes de pintura.

⚠️ PRECAUCION

No use solventes derivados del petróleo ni diluyentes de pintura para las pinturas de látex, pues la mezcla se transformará en una sustancia gelatinosa que es difícil de quitar.

Limpiando la Tolva de Pintura

1. Bloquee la pistola dándole vuelta al interruptor de seguridad de la pistola hasta que quede paralelo al mango.
2. Gire la perilla de control de la presión en dirección opuesta a las manecillas del reloj hasta la posición mínima.
3. Gire la perilla PRIME/SPRAY hasta la posición PRIME.
4. Gire el interruptor del motor hasta la posición OFF y desconecte el atomizador.
5. Dirija el tubo de retorno a la cubeta original de pintura.
6. Conecte el atomizador y gire el interruptor del motor hasta la posición ON.
7. Gire la perilla de control de la presión hasta la mitad de la presión máxima. Esto jalará la pintura restante en la tolva de pintura a través de la bomba, hacia el tubo de retorno y dentro de la cubeta de pintura.
8. Gire la perilla de control de la presión en dirección opuesta a las manecillas del reloj hasta la posición de presión mínima.
9. Dispare la pistola para liberar la presión y bloquee la pistola.
10. Quite la boquilla del atomizador y el protector y póngalos en un recipiente con agua o solvente que sea apropiado para el tipo de material con el que esté pintando.
11. Llene la tolva de pintura con agua o el solvente apropiado al tipo de material con que esté pintando.
12. Aumente la presión hasta la mitad de la presión máxima. Permita circular al agua o solvente por 2-3 minutos para enjuagar la pintura de la bomba, de la tolva de pintura, y el tubo de retorno.

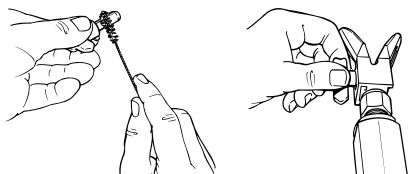
Para Despejar la Manguera de Pintura

1. Para recuperar la pintura que queda en la manguera, libere el interruptor de seguridad de la pistola y dispare con cuidado la pistola, sin la boquilla de atomización puesta, dentro del contenido del recipiente de pintura.
2. Gire la perilla de control de la presión en dirección opuesta a las manecillas del reloj hasta la posición de presión mínima.
3. Gire la perilla PRIME/SPRAY hasta la posición SPRAY.
4. Gire lentamente la perilla de control de la presión hasta que la pintura comience a fluir hacia dentro de la cubeta. Tan pronto como el agua o el solvente comience a entrar en la cubeta, libere el gatillo.

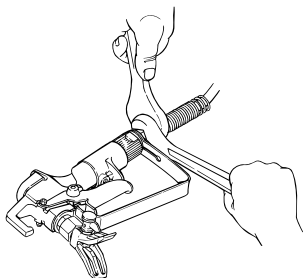
5. Cambie a agua limpia o solvente y continúe efectuando la circulación durante otros 5 minutos hasta que la manguera, la bomba y la pistola de atomización se limpien perfectamente.
6. Gire la perilla de control de la presión en dirección opuesta a las manecillas del reloj hasta su posición más baja.
7. Gire la perilla PRIME/SPRAY hasta la posición PRIME.
8. Dispare la pistola para extraer cualquier presión que pudiera haber todavía en la manguera.
9. Bloquee la pistola dándole vuelta al interruptor de seguridad de la pistola de manera que quede paralelo al mango.
10. Gire el interruptor del motor hasta la posición OFF.

Para Despejar la Pistola

1. Quite la pistola de atomización de la manguera de pintura utilizando dos llaves de tuercas ajustables.
2. Quite la caja del filtro de la pistola. Ponga a remojar la pistola y el conjunto del filtro en un recipiente con agua o solvente.
3. Cubra el recipiente de pintura y póngalo a un lado.
4. Limpie la boquilla del atomizador y el filtro de la pistola con un cepillo suave. Ensamble la boquilla del atomizador en la posición para limpiar, con la flecha apuntando hacia la parte posterior de la pistola.



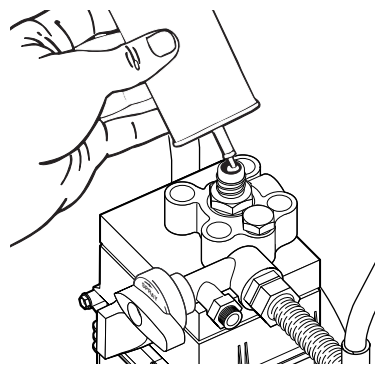
5. Fije la manguera de pintura en la pistola y apriétela utilizando dos llaves de tuercas ajustables.



6. Gire el interruptor del motor hasta la posición ON.
7. Desbloquee el gatillo de la pistola dándole vuelta al interruptor de seguridad de la pistola de manera que quede paralelo al mango de la pistola.
8. Gire la perilla PRIME/SPRAY hasta la posición SPRAY y apunte la pistola hacia el lado de la cubeta para limpiar.
9. Dispare la pistola y gradualmente gire la perilla de control de la presión en dirección de las manecillas del reloj hasta la mitad de la presión. Continúe y dispare la pistola durante 30 segundos aproximadamente.
10. Gire la perilla de control de la presión en dirección opuesta a las manecillas del reloj hasta su posición más baja.
11. Gire la perilla PRIME/SPRAY hasta la posición PRIME.
12. Dispare la pistola para extraer cualquier presión que pudiera haber todavía en la manguera.
13. Bloquee la pistola dándole vuelta al interruptor de seguridad de la pistola de manera que quede paralelo al mango.
14. Gire el interruptor del motor hasta la posición OFF.

Limpieza Final

1. Quite el ensamble de la punta.
2. Encienda el motor en ON.
3. Gire la perilla de PRIME/SPRAY a SPRAY.
4. Gire la perilla de control de presión a la derecha a 1/2 potencia.
5. Dispare la pistola en la cubeta de limpieza hasta vaciar la tolva.
6. Vuelva a llenar la tolva y siga enjuagando el sistema hasta que la solución proveniente de la pistola aparezca limpia.
7. Asegure la pistola y gire la perilla de control de presión a la izquierda a su ajuste más bajo.
8. Gire la perilla de PRIME/SPRAY a PRIME.
9. Quite la tolva de la válvula de admisión.
10. Limpie las roscas de la válvula de admisión con un trapo húmedo.
11. Llene la válvula de admisión con aceite doméstico ligero. Lentamente aumente la presión para distribuir el aceite a través de la bomba.



12. Gire la perilla PRIME/SPRAY a SPRAY para distribuir el aceite.

NOTA: La adecuada limpieza y lubricación de la bomba después de usar son los pasos más importantes para asegurar una correcta operación después de almacenar.

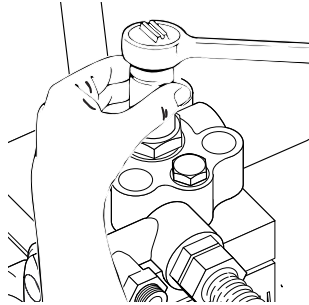
13. Gire la perilla de control de presión a la izquierda a su ajuste más bajo.
14. Gire la perilla PRIME/SPRAY a PRIME.
15. Dispare la pistola para eliminar cualquier presión que esté en la manguera.
16. Asegure la pistola girando el candado del gatillo de modo que esté paralelo al cuerpo de la pistola.
17. Gire el encendedor del motor a OFF.
18. Quite y limpie el filtro de la tolva en agua limpia o el solvente apropiado. Use un cepillo suave.
19. Regrese el filtro de la tolva a su posición en la tolva y cambie la tolva en la válvula de admisión.
20. Con un trapo húmedo, limpie toda la unidad, manguera y pistola para quitar la pintura acumulada.

Mantenimiento

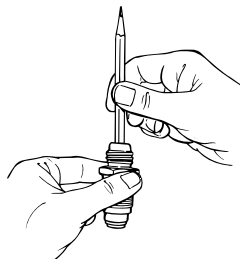
Siga los procedimientos siguientes cuando se encuentre con los problemas que se indican en la sección de detección de problemas.

Para Quitar y Limpiar la Válvula de Entrada

1. Cerciórese de que el atomizador esté apagado.
2. Quite el conjunto de la válvula de entrada usando una llave de tuercas de cabeza tubular o de caja cerrada de 27 milímetros.



3. Pruebe el movimiento de la válvula ejerciendo presión sobre ella con un destornillador o el extremo de borrador de un lápiz, desde el extremo abierto de la caja de la válvula. Debe moverse alrededor de 1/16 de pulgada. Si no se mueve, deberá limpiarse o reemplazarse.



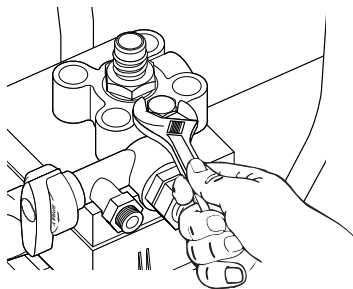
NOTA: La válvula de entrada debe aceitarse después de cada trabajo. Esto hará que la próxima vez que se use el atomizador los problemas de cebadura disminuyan o se eliminen.

4. Limpie perfectamente el conjunto de la válvula con agua o con el solvente apropiado. Use un cepillo pequeño.
5. Si limpió apropiadamente la válvula y sale agua goteando del fondo, entonces la válvula se ha desgastado y será necesario reemplazarla. Una válvula llena de agua que esté asentada de manera apropiada y sostenida verticalmente no goteará.
6. Instale una válvula nueva o limpia en el bloque de la bomba y después llene la válvula con un aceite o solvente ligero.

Para Quitar y Limpiar la Válvula de Salida

Podría ser necesario quitar y limpiar la válvula de salida o reemplazar las piezas que están dentro de la válvula que se hayan desgastado durante un uso normal.

1. Quite el anillo de salida con un llave de tuercas.



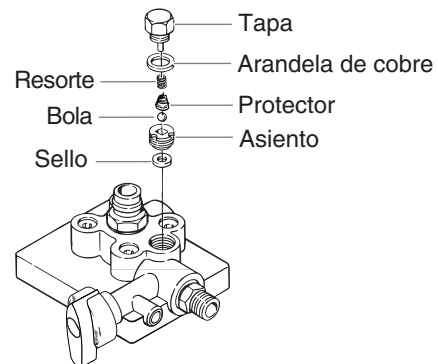
2. Deje puesta la rondana de cobre que está debajo del anillo.

NOTA: Si la rondana de cobre se desprende, asegúrese de volverla a poner con el mismo lado hacia arriba. La parte superior debe mostrar la impresión del anillo mismo, mientras que la parte inferior debe quedar perfectamente plana para que coincida con el asiento de la pieza moldeada de la bomba.

3. Quite y limpie el pequeño resorte que está dentro de la válvula usando un gancho de alambre o unas pinzas. Reemplace el resorte si está roto o desgastado.

NOTA: Este resorte se fabrica de manera que tenga una tensión muy específica. No lo sustituya con uno no autorizado. Consulte el diagrama de piezas del conjunto de la bomba de pintura para ver el número de pieza de repuesto apropiado.

4. Quite el conjunto del asiento y bola usando una llave Allen de 3/8 de pulgada.
5. Limpie perfectamente todas las piezas. Si la bola o el asiento muestran alguna señal de desgaste o daño, reemplácelos con piezas nuevas. Esta bola de carburo debe quedar sellando ajustadamente contra su asiento para que la válvula funcione apropiadamente.
6. Cubra todas las piezas con una capa delgada de aceite ligero antes de ensamblar.
7. Apriete el asiento de la válvula firmemente con la llave Allen de 3/8 de pulgada.
8. Coloque la bola de la válvula.
9. Inserte el protector y el resorte y vuelva a poner el anillo. Asegúrese de que la rondana de cobre esté colocada apropiadamente y que la lengüeta del anillo se acomode dentro del resorte.
10. Apriete el anillo firmemente con una llave de tuercas ajustable. No lo apriete demasiado.



NOTA: Es casi imposible detectar visualmente el desgaste que hay en la bola. Para probar si un conjunto de válvula de salida está desgastado, gire la perilla de control de la presión en dirección de las manecillas del reloj hasta su posición más alta, y haga que el agua circule solamente a través del atomizador, de 10 a 15 minutos, sin disparar la pistola.

Si la válvula está defectuosa, el anillo estará muy caliente como para tocarlo. Si está funcionando apropiadamente, se quedará aproximadamente a la misma temperatura que la del agua que circule a través de ella.

Para limpiar la boquilla de atomización

1. Enjuague la pistola con solvente inmediatamente después de que se complete el trabajo.
2. Lubrique los pasadores cilíndricos para prevenir que se traben.

Si la boquilla del atomizador se llegara a taponar, invierta la boquilla con la palanca y jale el gatillo. Una vez que la obstrucción haya salido de la boquilla del atomizador, suelte el gatillo, invierta de nuevo la boquilla hasta dejarla en la posición de patrón de atomización, y siga atomizando.



⚠️ ADVERTENCIA

No intente limpiar la boquilla con el dedo. No use agujas ni ninguno otro instrumento punteado filoso para limpiar la boquilla. El carburo de tungsteno duro es quebradizo y se puede desportillar.

Para limpiar el filtro

Limpie el filtro con un cepillo que haya sumergido en solvente. No pique nunca el filtro con un instrumento filoso.

Para cambiar el filtro

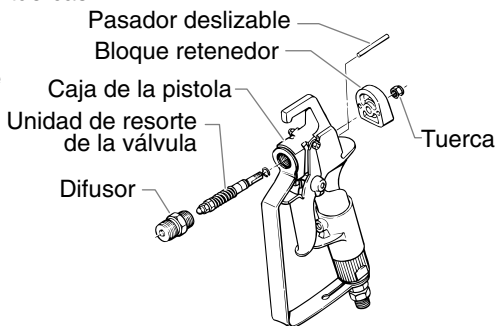
1. Jale hacia adelante el protector del gatillo para que se suelte del manubrio.
2. Desatornille el manubrio para separarlo de la caja y quite el filtro anterior.
3. Deslice el nuevo filtro, introduciendo primero el extremo cónico, dentro de la caja de la pistola.
4. Vuelva a colocar el manubrio, la rondana y el resorte. Atornille el manubrio en la caja hasta que quede apretado a mano. Vuelva a colocar el protector del gatillo.



Para reemplazar la unidad de resorte de la válvula

NOTA: Reemplace la empaquetadura si la pistola de atomización está desensamblada. Reemplace los pasadores deslizables si están desgastados.

1. Desenrosque la boquilla del atomizador.
2. Bloquee la pistola en la posición ON y quite el difusor con una llave de tuercas.
3. Desbloquee la pistola.
4. Desenrosque la tuerca con una llave de tuercas y saque el bloque retenedor.
5. Quite los pasadores deslizables con cuidado y guárdelos en un lugar seguro para que no se vayan a extraviar.
6. Impulse la unidad de resorte de la válvula hacia adelante desde la parte posterior del bloque retenedor. Use el mango de un martillo de madera o una herramienta suave similar para evitar que se dañe la unidad de resorte de la válvula.



Para escoger el filtro de pistola de atomización correcto

Use el filtro de pistola de atomización basándose en el tipo de material que se vaya a aplicar, como se muestra a continuación.

No. de pieza	Aplicación	Tipo de filtro	Número de malla	Color del cuerpo del filtro
0089960	Resina sintética, esmaltes, barnices claros, tintes, pinturas azules	Extrafino	0.084 mm	rojo
0089959	Esmaltes de revestimiento, esmaltes imprimadores, blancos de carga, pinturas para marcar, esmaltes de textura	Fino	0.140 mm	amarillo
0089958	Emulsiones, pinturas de látex, pinturas acrílicas	Mediano	0.315 mm	blanco
0089957	Pinturas de fondo, superficies de área extensa	Grueso	0.560 mm	verde

Limpiando la Malla de la Tolva

La malla en el fondo de la tolva de pintura pudiera necesitar una limpieza periódica. Revísela cada vez que añada pintura. Quite la malla jalándola fuera de la tolva con pinzas. Limpie la malla con agua o solvente y un cepillo de cerdas suaves, en caso de ser necesario.



Para Apretar la Perilla PRIME/SPRAY

Algunas veces los dos tornillos con cavidad hexagonal que están sosteniendo la cubierta exterior de la perilla PRIME/SPRAY se aflojarán debido a la vibración. Esto permitirá que la cubierta gire sin que se cambie la posición de la válvula. Si sucede esto, afloje el tornillo con una llave Allen de 1/16, gire la perilla hasta la posición SPRAY y apriete el tornillo.

DetECCIÓN DE PROBLEMAS

Problema

El atomizador no arranca.

Causa

1. El atomizador no está conectado.
2. El interruptor ON/OFF (encendido/apagado) está en la posición OFF (apagado).
3. El voltaje que sale del enchufe de la pared es bajo o nulo.
4. El atomizador se apagó mientras estaba todavía bajo presión.
5. La extensión está dañada o tiene una capacidad demasiado baja.
6. La sobrecarga térmica del atomizador se activó.
7. Hay un problema con el motor.

Solución

1. Conecte el atomizador.
2. Gire el interruptor ON/OFF (encendido/apagado) hasta la posición ON (encendido).
3. Pruebe debidamente el voltaje del suministro de energía.
4. Gire la perilla PRIME/SPRAY hasta la posición PRIME.
5. Reemplace la extensión.
6. Deje que el motor se enfríe y pase el atomizador a un lugar más frío.
7. Lleve el atomizador al Centro de Servicio Autorizado de SprayTECH.

El atomizador arranca pero no succiona pintura cuando la perilla PRIME/SPRAY se fija en la posición PRIME.

1. La unidad no ceba de manera apropiada o pierde líquido cebador.
2. La tolva de pintura está vacía.
3. El filtro de la tolva está tapado.
4. La válvula de entrada está atorada.
5. La válvula de salida está atorada.
6. La válvula PRIME/SPRAY está tapada.
7. La válvula de entrada está desgastada o dañada.
8. Hay un problema con el diafragma.
9. El nivel de aceite hidráulico es bajo o cero.

1. Trate de cebar la unidad una vez más.
2. Llene la tolva de pintura con pintura.
3. Limpie el filtro de la tolva.
4. Limpie la válvula de entrada.
5. Limpie la válvula de salida y reemplace cualquier pieza que esté desgastada.
6. Lleve el atomizador al Centro de Servicio Autorizado de SprayTECH.
7. Reemplace la válvula de entrada.
8. Lleve el atomizador al Centro de Servicio Autorizado de SprayTECH.
9. Lleve el atomizador al Centro de Servicio Autorizado de SprayTECH.

El atomizador succiona pintura pero la presión decae cuando se dispara la pistola.

1. La boquilla de atomización está desgastada.
2. El filtro de la tolva está tapado.
3. La pistola o el filtro de la boquilla de atomización está tapado.
4. La pintura es demasiado pesada o gruesa.
5. El conjunto de la válvula de salida está sucio o desgastado.
6. El conjunto de la válvula de entrada está dañado o desgastado.

1. Reemplace la boquilla de atomización con una boquilla nueva.
2. Limpie el filtro de la tolva.
3. Limpie o reemplace el filtro apropiado. Tenga siempre a mano más filtros.
4. Adelgace o filtre la pintura.
5. Limpie o reemplace el conjunto de la válvula de salida.
6. Reemplace la válvula de entrada.

El atomizador de atomización no se apaga.

1. La bola o el asiento de la bola de la válvula de entrada o la bola o asiento de la de salida está desgastado.
2. Se ha acumulado material extraño o pintura entre la bola y el asiento.

1. Lleve el atomizador al Centro de Servicio Autorizado de SprayTECH.
2. Lleve el atomizador al Centro de Servicio Autorizado de SprayTECH.

La pistola de atomización tiene fugas.

1. Las piezas internas de la pistola están desgastadas o sucias.

1. Lleve el atomizador al Centro de Servicio Autorizado de SprayTECH.

El conjunto de la boquilla tiene fugas.

1. La boquilla se ensambló incorrectamente.
2. Uno de los sellos está desgastado.

1. Revise el conjunto de la boquilla y ensamble correctamente.
2. Reemplace el sello.

La pistola de atomización no atomiza.

1. La boquilla de atomización, el filtro de la pistola o el filtro de la boquilla está tapado.
2. La boquilla de atomización está en la posición CLEAN (limpiar).

1. Limpie la boquilla de atomización, el filtro de la pistola o el filtro de la boquilla.
2. Ponga la boquilla en la posición SPRAY (atomizar).

El patrón de pintura se desvanece gradualmente.

1. La presión se fijó demasiado baja.
2. El filtro de la tolva, la pistola o la boquilla está tapado.
3. La boquilla está desgastada.
4. La pintura es demasiado espesa.

1. Aumente la presión.
2. Limpie los filtros.
3. Reemplace la boquilla de atomización.
4. Adelgace la pintura.

La sobrecarga térmica se activó y apagó el atomizador.

1. El motor se sobrecalentó.
2. La extensión es demasiado larga o de un calibre demasiado pequeño.
3. Se acumuló pintura en el motor.
4. El motor arrancó mientras el atomizador estaba bajo presión.
5. El atomizador se quedó bajo el sol.

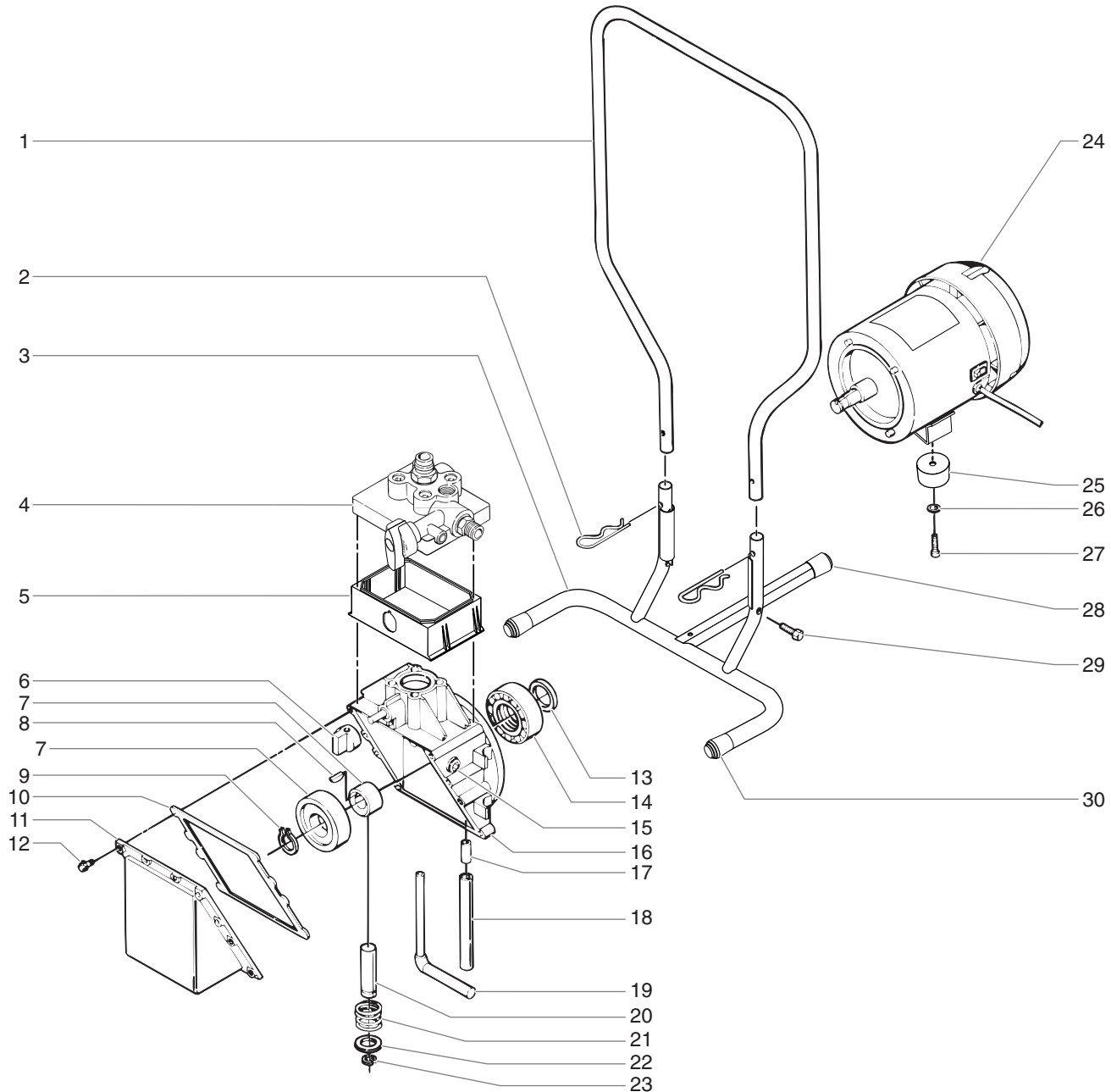
1. Deje que se enfríe durante 30 minutos.
2. Deje que se enfríe durante 30 minutos y reemplace la extensión con una más corta o de mayor calibre.
3. Limpie la pintura del motor.
4. Vuelva a arrancar el atomizador poniéndolo en el modo PRIME.
5. Quite el atomizador del sol.

NOTA: Cuando la válvula PRIME/SPRAY esté en la posición SPRAY y haya un flujo a través del tubo de retorno, quite la válvula PRIME/SPRAY y límpiela o reemplácela.

NOTA: El motor eléctrico debe mantenerse siempre limpio y seco. La pintura actúa como un aislante. Demasiada pintura en el motor ocasionará que el motor se sobrecaliente.

Parts Listing • Schémas des pièces • Diagramas de las piezas

Final Assembly • Montage final • Ensamble fina



English

Item	Part #	Description	Quantity	Item	Part #	Description	Quantity
1	0270311	Handle	1	15	9885529	Screw, hex, 1/4"	1
2	0288795	Pin, handle.....	2	16	0270231	Housing, hydraulic	1
3	0279581	Stand	1	17	0089261	Connector	1
4	-----	Paint pump assembly (see separate listing)	1	18	0093861	Tube, oil return.....	1
5	0288796	Shroud	1	19	0093709	Oil suction tube assembly.....	1
6	0288775	Knob, pressure control	1	20	0270547	Piston	1
7	0090031	Eccentric sleeve and bearing assembly.....	1	21	0005311	Spring	1
8	0089829	Key.....	1	22	0270548	Washer, piston.....	1
9	0047393	Ring, retaining.....	1	23	0089456	Ring, retaining.....	1
10	0288774	Gasket	1	24	0270587	Motor.....	1
11	0270527	Cover	1	25	0090628	Bumper	1
12	9802279	Screw, cover	12	26	9921501	Lock washer.....	3
13	0089930	Seal.....	1	27	9800310	Bolt.....	1
14	0089929	Bearing	1	28	0270314	Crutch tip	1
				29	9802285	Bolt, leg.....	2
				30	0288790	Foot, rubber.....	2

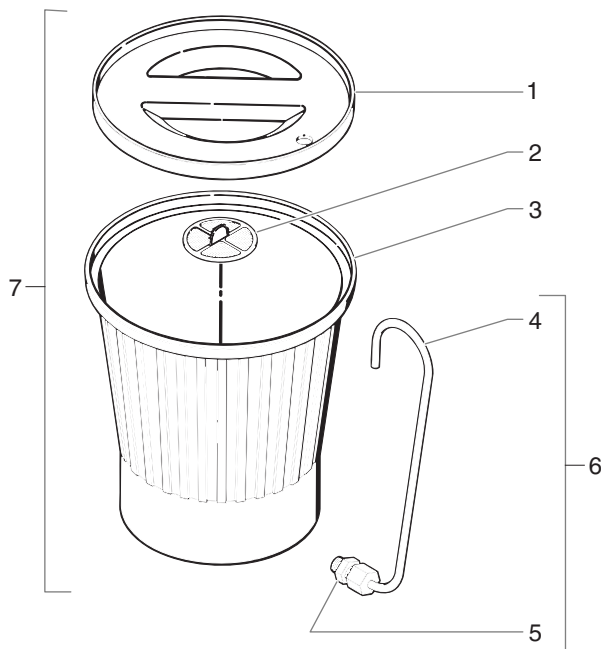
Français

Article	N° de pièce	Description	Quantité	Article	N° de pièce	Description	Quantité
1	0270311	Guidon	1	15	9885529	Vis, 6 pans 1/4"	1
2	0288795	Broche de poignée	2	16	0270231	Capot de l'hydraulique	1
3	0279581	Pied	1	17	0089261	Connecteur	1
4	-----	Ensemble de pompe à peinture (voir la liste séparée)	1	18	0093861	Tube de renvoi d'huile	1
5	0288796	Buse munie	1	19	0093709	Ensemble tube de succion d'huile	1
6	0288775	Bouton de réglage de la pression	1	20	0270547	Piston	1
7	0090031	Ensemble de manchon excentrique et roulement	1	21	0005311	Ressort	1
8	0089829	Clavette	1	22	0270548	Rondelle de piston	1
9	0047393	Bague de retenue	1	23	0089456	Bague de retenue	1
10	0288774	Joint	1	24	0270587	Moteur	1
11	0270527	Couvercle	1	25	0090628	Pare-choc	1
12	9802279	Vis, couvercle	12	26	9921501	Rondelle de blocage	3
13	0089930	Joint	1	27	9800310	Boulon	1
14	0089929	Roulement	1	28	0270314	Pied en caoutchouc	1
				29	9802285	Boulon de patte	2
				30	0288790	Pied en caoutchouc	2

Español

Artículo	Pieza #	Descripción	Cantidad	Artículo	Pieza #	Descripción	Cantidad
1	0270311	Manubrio	1	15	9885529	Tornillo, hex., 1/4"	1
2	0288795	Perno, asa	2	16	0270231	Carcaza, hidráulica	1
3	0279581	Pata	1	17	0089261	Conector	1
4	-----	Conjunto de la bomba de pintura (vea la lista separada)	1	18	0093861	Tube de retorno de aceite	1
5	0288796	Cubierta	1	19	0093709	Ensamble del tubo de succión de aceite ...	1
6	0288775	Perilla de control de la presión	1	20	0270547	Pistón	1
7	0090031	Ensamble del camisa excéntrico y cojinete	1	21	0005311	Resorte	1
8	0089829	Cuña	1	22	0270548	Arandela, pistón	1
9	0047393	Anillo de retención	1	23	0089456	Anillo de retención	1
10	0288774	Empaque	1	24	0270587	Motor	1
11	0270527	Cubierta	1	25	0090628	Tope	1
12	9802279	Tornillo, cubierta	12	26	9921501	Rondana de seguridad	3
13	0089930	Sello	1	27	9800310	Perno	1
14	0089929	Cojinete	1	28	0270314	Pata, hule	1
				29	9802285	Tornillo, pata	2
				30	0288790	Pata, hule	2

Hopper Assembly • Ensemble trémie • Ensamble de la Tolva



English

Item	Part #	Description	Quantity
1	0279591	Cover, hopper	1
2	0089917	Filter screen, fine (shown)	1
	0088871	Filter screen, coarse	
3	0090283	Hopper	1
4	0093865	Return tube	1
5	0090617	Fitting	1
6	0090560	Return tube assembly	1
		(includes items 4 and 5)	
7	0279971	Hopper complete	1
		(includes items 1 – 6)	

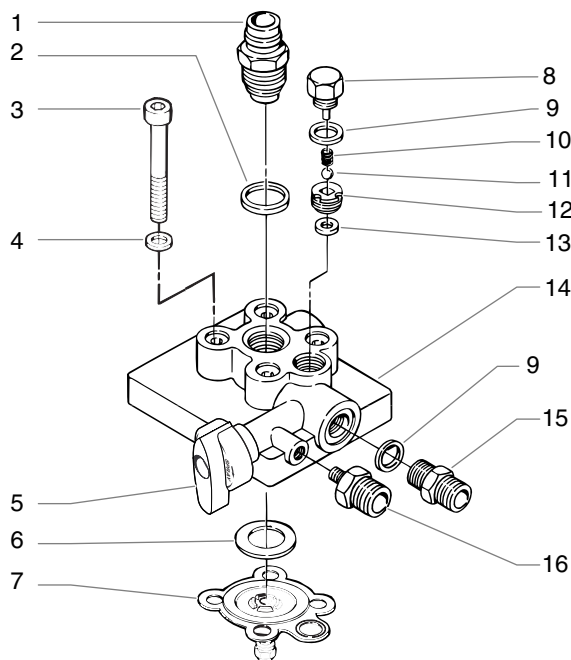
Français

Article	N° de pièce	Description	Quantité
1	0279591	Couvercle de trémie	1
2	0089917	Tamis de filtre fin (illustré)	1
	0088871	Tamis de filtre grossier	
3	0090283	Trémie	1
4	0093865	Tube de renvoi	1
5	0090617	Raccord	1
6	0090560	Ensemble tube de retour	1
		(inclut les articles 4 et 5)	
7	0279971	Trémie complète	1
		(inclut les articles 1 – 6)	

Español

Artículo	Pieza #	Descripción	Cantidad
1	0279591	Tapa, tolva	1
2	0089917	Malla filtro, fina (mostrada)	1
	0088871	Malla filtro, gruesa	
3	0090283	Tolva	1
4	0093865	Tube de retorno	1
5	0090617	Adaptador	1
6	0090560	Ensamble del tubo de retorno (incluye artículos 4 y 5)	1
7	0279971	Tolva completa	1
		(incluye artículos 1 – 6)	

Paint Pump Assembly • Ensemble de pompe à peinture • Conjunto de la bomba de pintura



English

Item	Part #	Description	Quantity
1	0270526	Valve, Inlet Assembly.....1 (includes item 2)	1
2	0089482	Washer, Sealing, Nylon	1
3	0281338	Screw, socket head	4
4	0088328	Lock washer.....	4
5	0270951	PRIME/SPRAY valve kit	1
6	0270494	Ring, diaphragm	1
7	0288771A	Diaphragm assembly	1
8	0089564	Cap, Outlet Assembly	1
9	9970103	Washer, Sealing, Copper.....	2
10	0047485	Spring, Outlet.....	1
11	0093635	Ball, 6mm, Carbide	1
12	0270291	Seat, Ball, Outlet Assembly	1
13	0089494	Seal, Outlet	1
14	0270460	Paint Pump with Valve	1
15	0288379	Fitting, Outlet	1
16	0090617	Fitting, Return Tube	1

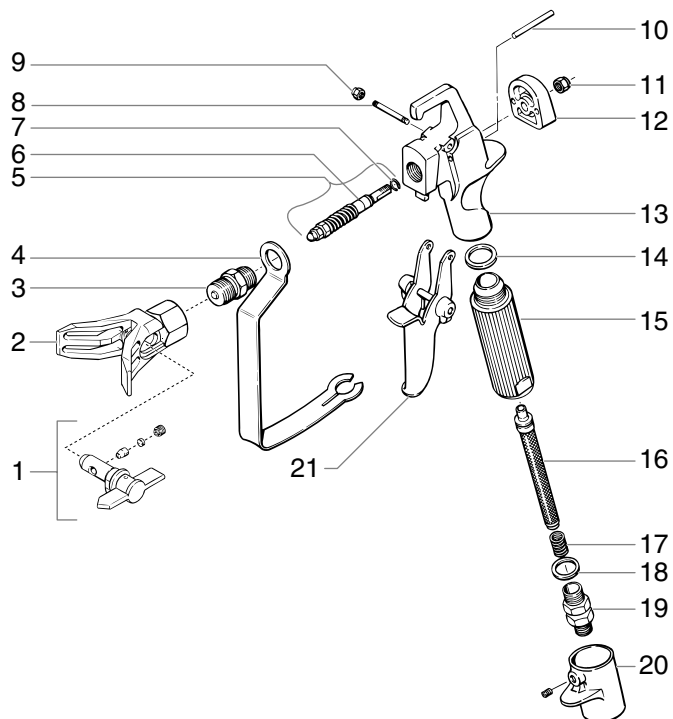
Français

Article	N° de pièce	Description	Quantité
1	0270526	Ensemble de soupape d'admission.....1 (comprend l'article 2)	1
2	0089482	Rondelle d'étanchéité, en nylon	1
3	0281338	Vis à tête creuse	4
4	0088328	Rondelle de blocage.....	4
5	0270951	Kit de soupape PRIME/SPRAY (Amorçage/Pulvérisation)	1
6	0270494	Bague de diaphragme	1
7	0288771A	Ensemble diaphragme.....	1
8	0089564	Capuchon de l'ensemble de sortie	1
9	9970103	Rondelle d'étanchéité en cuivre	2
10	0047485	Ressort de sortie	1
11	0093635	Bille de carbure de 6 mm	1
12	0270291	Ensemble de bille et de siège de la soupape de sortie	1
13	0089494	Joint d'étanchéité de sortie.....	1
14	0270460	Pompe à peinture avec soupape.....	1
15	0288379	Raccord de sortie	1
16	0090617	Raccord du tube de retour.....	1

Español

Artículo	Pieza #	Descripción	Cantidad
1	0270526	Válvula, Conjunto de la entrada	1
		(incluye el artículo 2)	
2	0089482	Rondana, Selladura, Nailon.....	1
3	0281338	Tornillo cabeza hueca	4
4	0088328	Rondana de seguridad	4
5	0270951	Kit de válvulas PRIME/SPRAY	1
6	0270494	Anillo, diafragma	1
7	0288771A	Ensamble del diafragma	1
8	0089564	Anillo, Conjunto de la salida	1
9	9970103	Rondana, Selladura, Cobre	2
10	0047485	Resorte, Salida	1
11	0093635	Bola, 6 mm, Carburo	1
12	0270291	Asiento, Bola, Conjunto de la salida.....	1
13	0089494	Sello, Salida.....	1
14	0270460	Bomba de pintura con válvula	1
15	0288379	Adaptador, Salida	1
16	0090617	Adaptador, Tubo de retorno.....	1

G-10 Spray Gun • Pistolet G-10 • G-10 Pistola de Atomización



English

Item	Part #	Description	Quantity
1	0297146	RC tip assembly, 413.....	1
2	0297039	Tip guard assembly	1
3	0149342	Diffuser 7/8"	1
4	0149366	Trigger guard	1
5	0149212	Valve union assembly	1
6	0043211	Packing	1
7	9922703	Snap ring	1
8	0149377	Pin M-4	1
9	9910403	Nut, cap M-4	2
10	9930818	Sliding pin	2
11	9910201	Hex nut	1
12	0149368	Retainer block.....	1
13	0149361	Gun housing	1
14	0043303	Washer.....	1
15	0149370	Handle	1
16	0034377	Filter.....	1
17	0043590	Spring	1
18	9970123	Sealing ring.....	1
19	0347706	Swivel	1
20	0279185	Collar assembly	1
21	0149211	Trigger assembly	1

Français

Article	N° de pièce	Description	Quantité
1	0297146	Ensemble de tête RC, 413.....	1
2	0297039	Protection de la tête.....	1
3	0149342	Diffuseur, 7/8"	1
4	0149366	Protection de la gâchette.....	1
5	0149212	Ensemble union de soupape	1
6	0043211	Joint	1
7	9922703	Jonc	1
8	0149377	Goupille M4.....	1
9	9910403	Écrou, capuchon M4.....	2
10	9930818	Goupille coulissante.....	2
11	9910201	Écrou hexagonal.....	1
12	0149368	Cale de retenue.....	1
13	0149361	Boîtier du pistolet.....	1
14	0043303	Rondelle.....	1
15	0149370	Poignée.....	1
16	0034377	Filtre	1
17	0043590	Ressort	1
18	9970123	Bague d'étanchéité.....	1
19	0347706	Raccord orientable.....	1
20	0279185	Ensemble collier	1
21	0149211	Gâchette	1

Español

Artículo	Pieza #	Descripción	Cantidad
1	0297146	Conjunto de la boquilla RC, 413.....	1
2	0297039	Protector del boquilla.....	1
3	0149342	Difusor, 7/8"	1
4	0149366	Protector del gatillo.....	1
5	0149212	Ensamble de la unión de válvulas.....	1
6	0043211	Empaquetadura	1
7	9922703	Argolla de retención.....	1
8	0149377	Pasador M4	1
9	9910403	Tuerca anillo M4	2
10	9930818	Pasador deslizable	2
11	9910201	Tuerca hexagonal	1
12	0149368	Bloque retenedor	1
13	0149361	Caja, pistola	1
14	0043303	Rondana	1
15	0149370	Manubrio.....	1
16	0034377	Filtro	1
17	0043590	Resorte	1
18	9970123	Anillo de selladura	1
19	0347706	Pivote	1
20	0279185	Ensamble del collarín	1
21	0149211	Conjunto del gatillo	1

Limited Warranty

Commercial Airless Spray Equipment

Two Year Warranty

Spray Tech, a division of Wagner Spray Tech Corporation ("Spray Tech"), warrants this product against defects in material and workmanship for a period of two years following the date of purchase by the original purchaser. During that period, Spray Tech will repair or replace any defective or worn-out component or, at Spray Tech's option, refund to the original purchaser the full purchase price for the product in exchange for the return of that product. However, Spray Tech will not replace or repair any fluid pump component on account of wear more than twice during the two year warranty period. This warranty does not cover consumable products such as filters and tips.

Lifetime Warranty on Gear Trains, Electric Motors, and Gas Engines

Spray Tech warrants any gear train, electric motor (excluding brushes) and gas engine (excluding the clutch) in this product against defects in material and workmanship for the lifetime of the original purchaser. If Spray Tech determines that the foregoing warranty has been breached, Spray Tech will repair or replace the defective components without charge or, at Spray Tech's option, refund to the original purchaser the full purchase price for the product in exchange for the return of that product.

Warranty Claims

Any request for repair or replacement pursuant to the warranties above must be accompanied by the return of the applicable parts, with transportation charges prepaid, to a service center authorized by Spray Tech or to Wagner Spray Tech Corporation, 1770 Fernbrook Lane, Minneapolis, MN 55447.

Limitation of Remedies

THE REMEDIES SET FORTH ABOVE ARE THE EXCLUSIVE REMEDIES AVAILABLE FOR BREACH OF EXPRESS AND IMPLIED WARRANTIES. These remedies shall not be deemed to have failed of their essential purpose so long as Spray Tech is willing to repair or replace parts, or to refund the purchase price, as set forth above.

What Is Not Covered By This Warranty

This warranty does not cover defects or damages caused by:

- the use or installation of repair or replacement parts or accessories not manufactured by Spray Tech;
- repair performed by anyone other than a Spray Tech Authorized Service Center; or
- abuse, misuse, negligence, accident, faulty installation or tampering in a manner which impairs normal operation.

This warranty also does not cover equipment and accessories supplied to Spray Tech from an original equipment manufacturer, including but not limited to hoses, tips, and accessories. Spray Tech will provide the purchaser with copies of the original equipment manufacturer's express warranties provided to Spray Tech along with the name and address of the appropriate manufacturer.

Limitation of Remedies

IN NO CASE SHALL SPRAY TECH BE LIABLE FOR ANY INCIDENTAL, SPECIAL OR CONSEQUENTIAL DAMAGES OR LOSS, INCLUDING TRANSPORTATION COSTS, WHETHER SUCH DAMAGES ARE BASED UPON A BREACH OF EXPRESS OR IMPLIED WARRANTIES, BREACH OF CONTRACT, NEGLIGENCE, STRICT TORT, OR ANY OTHER LEGAL THEORY.

Disclaimer of Implied Warranties

THE FOREGOING WARRANTIES ARE IN LIEU OF ALL OTHER WARRANTIES, EXPRESS OR IMPLIED, INCLUDING BUT NOT LIMITED TO THE IMPLIED WARRANTIES OF MERCHANTABILITY AND FITNESS FOR A PARTICULAR PURPOSE.

No Ability To Transfer

This warranty is extended to the original purchaser only and is not transferable.

SprayTECH 30-Day Satisfaction Guarantee

If, within a 30-day period from the date of purchase, you are not totally satisfied with a SprayTECH/CAPSpray unit, you may return it for full credit toward another SprayTECH or CAPSpray product of equal or greater value.

Patents

These products are covered by one or more of the following U.S. patents:

5,286,045	D349,711	5,263,789	5,252,210	D345,841	5,059,099	5,084,964
5,217,238	4,720,801	4,785,719	4,828,464	5,145,331	4,390,324	4,403,924
4,928,722	4,416,588	4,003,504	RE29,055	4,624,602	4,834,287	5,073,092
D376,637	D387,414	D382,938	3,963,180	4,025,045	D405,159	D412,965
5,505,381	5,765,753	5,887,793	5,893,522			

Garantie limitée

Équipement commercial de pulvérisation sans air

Garantie de deux ans

Spray Tech, une division de Wagner Spray Tech Corporation ("Spray Tech") garantit ce produit contre les défauts de matière et de main-d'oeuvre pour une période de deux ans suivant la date d'achat par le premier acheteur. Pendant cette période, Spray Tech s'engage à réparer ou à remplacer tout composant défectueux ou usé ou, selon décision de Spray Tech, à rembourser au premier acheteur le prix d'achat entier du produit en échange du retour de ce produit. Cependant, Spray Tech ne remplacera pas ni ne réparera tout composant de la pompe pour cause d'usure, plus de deux fois pendant la période de garantie de deux ans. Cette garantie ne couvre pas les produits d'usure normale tels que les filtres et les buses.

Garantie à vie pour les trains d'engrenage, les moteurs électriques et les moteurs à gaz.

Spray Tech garantit tout train d'engrenage, tout moteur électrique (à l'exclusion des balais) et tout moteur à gaz (à l'exclusion de l'embrayage) contenu dans ce produit contre les défauts de matière et de main-d'oeuvre pour toute la durée de vie de l'achat par l'acheteur original. Au cas où Spray Tech constate que la garantie ci-dessus a été transgressée, Spray Tech s'engage à réparer ou à remplacer le composant défectueux sans frais ou, selon décision de Spray Tech, à rembourser au premier acheteur le prix d'achat entier du produit en échange du retour de ce produit.

Réclamations sous garantie

Toute demande de réparation ou de remplacement en application des garanties ci-dessus doit être accompagnée du retour des pièces incriminées, avec frais de transport prépayés, à un centre de service agréé par Spray Tech ou à Wagner Spray Tech Corporation, 1770 Fernbrook Lane, Minneapolis, MN 55447.

Limitation des recours

LES RECOURS INDIQUÉS CI-DESSUS SONT LES RECOURS EXCLUSIFS EN CAS D'INEXÉCUTION DES GARANTIES EXPRESSES ET IMPLICITES. Ces recours ne seront pas réputés comme ayant transgressé leur objet essentiel aussi longtemps que Spray Tech accepte de réparer ou de remplacer les pièces ou de rembourser le prix d'achat, tel qu'indiqué ci-dessus.

Ce qui n'est pas couvert par cette garantie

Cette garantie ne couvre pas les défauts ou les dommages provoqués par :

- l'utilisation ou le montage de pièces réparées ou de pièces de remplacement ou d'accessoires non fabriqués par Spray Tech ;
- toute réparation non effectuée par un Centre de Service agréé par Spray Tech; ou
- tout abus, mauvaise utilisation, négligence, accident, montage défectueux ou tentative d'altération portant atteinte au fonctionnement normal.

De même, cette garantie ne couvre pas les équipements et les accessoires fournis à Spray Tech par un fabricant d'équipements originaux, y compris mais non limité aux flexibles, buses et accessoires. Spray Tech fournira à l'acheteur des copies des garanties expresses du fabricant d'équipements originaux remises à Spray Tech, ainsi que le nom et l'adresse du fabricant approprié.

Limitation des recours

EN AUCUN CAS SPRAY TECH NE SERA TENU POUR RESPONSABLE DES DOMMAGES OU PERTES FORTUITS, PARTICULIERS OU CONSÉCUTIFS, Y COMPRIS LES FRAIS DE TRANSPORT, QUE DE TELS DOMMAGES SOIENT BASÉS SUR L'INEXÉCUTION DES GARANTIES EXPRESSES OU IMPLICITES, L'INEXÉCUTION DU CONTRAT, UNE NÉGLIGENCE, UNE RESPONSABILITÉ DÉLICTUELLE STRICTE OU TOUT AUTRE PRINCIPE DE DROIT.

Renonciation aux garanties implicites

LES GARANTIES CI-DESSUS REMPLACENT TOUTE AUTRE GARANTIE EXPRESSE OU IMPLICITE, Y COMPRIS MAIS NON LIMITÉ AUX GARANTIES IMPLICITES DE COMMERCIALISABILITÉ ET DE CONFORMITÉ A UN USAGE PARTICULIER.

Interdiction de transmission

Cette garantie est accordée uniquement à l'acheteur original et elle n'est pas transmissible.

Garantie de satisfaction 30 jours de SprayTECH

Si, au cours des 30 jours suivant l'achat, vous n'êtes pas totalement satisfait d'un appareil SprayTECH/CAPSpray, vous pouvez le renvoyer et obtenir un crédit complet contre un autre produit SprayTECH ou CAPSpray de valeur égale ou supérieure.

Brevets

Ces produits sont protégés par un ou plusieurs des brevets (U.S.A.) suivants:

5,286,045	D349,711	5,263,789	5,252,210	D345,841	5,059,099	5,084,964
5,217,238	4,720,801	4,785,719	4,828,464	5,145,331	4,390,324	4,403,924
4,928,722	4,416,588	4,003,504	RE29,055	4,624,602	4,834,287	5,073,092
D376,637	D387,414	D382,938	3,963,180	4,025,045	D405,159	D412,965
5,505,381	5,765,753	5,887,793	5,893,522			

Garantía Limitada

Equipo Rociador Comercial Sin Aire

Garantía de Dos Años

Spray Tech, una división de Wagner Spray Tech Corporation ("Spray Tech"), garantiza este producto contra defectos de materiales y de fabricación por un período de dos años a contar de la fecha de adquisición por el comprador original. Durante este período, Spray Tech reparará o reemplazará cualquier componente defectuosa o desgastada o, por decisión de Spray Tech, devolverá el total del precio pagado por el producto a su comprador original, a cambio de la devolución del producto. Sin embargo, Spray Tech no reemplazará o reparará ningún componente de la bomba de fluido a causa del desgaste más de dos veces durante el período de garantía de dos años. Esta garantía no cubre productos de consumo tales como filtros y puntas.

Garantía de por vida en trenes de engranajes, motores eléctricos y motores a gas

Spray Tech garantiza de por vida, al comprador original, los trenes de engranaje, motores eléctricos (excluyendo las escobillas) y motores a gas (excluyendo el embrague) de este producto contra defectos de material y fabricación. Si Spray Tech determina que la garantía mencionada ha sido quebrantada, reparará o reemplazará sin costo las componentes defectuosas o, en su defecto podrá decidir devolver al comprador original el total del precio de compra del producto a cambio de la devolución de él.

Reclamos de garantía

Cualquier solicitud de reparación o reemplazo de acuerdo con la garantía precedente deberá ser acompañada por el envío de las piezas defectuosas correspondientes, incluyendo el pago previo de los costos de transporte, a un centro de servicio autorizado por Spray Tech o a Wagner Spray Tech Corporation, 1770 Fernbrook Lane, Minneapolis, MN 55447.

Limites de recursos

LOS RECURSOS INDICADOS ANTERIORMENTE SON LOS UNICOS RECURSOS DISPONIBLES ANTE EL INCUMPLIMIENTO DE GARANTIAS EXPRESAS E IMPLICITAS. Estos recursos no deberán considerarse como faltantes a su propósito esencial mientras Spray Tech esté dispuesta a reparar o reemplazar las partes, o a devolver el precio de compra, como se indica más arriba.

Qué no está Cubierto por esta Garantía

Esta garantía no cubre defectos o daños causados por:

- El empleo o instalación de partes de repuesto o reemplazo o accesorios no fabricados por Spray Tech;
- reparaciones realizadas por cualquier servicio distinto al Centro de Servicio Autorizado por Spray Tech; o
- abuso, mal uso, negligencia, accidente, instalación defectuosa, o manipulación de manera que deteriora la operación normal.

Esta garantía tampoco cubre los equipos y accesorios suministrados a Spray Tech por otro fabricante de equipos originales, incluyendo pero no limitadas a las mangueras, puntas y accesorios. Spray Tech proveerá al comprador de copias de las garantías entregadas a Spray Tech por el fabricante de equipos originales, junto con el nombre y dirección del fabricante correspondiente.

Limites de recursos

EN NINGUN CASO SERA SPRAY TECH RESPONSABLE POR NINGUN DAÑO O PERDIDA ACCIDENTAL, ESPECIAL O CONSECUENCIAL, INCLUYENDO LOS COSTOS DE TRANSPORTE, SI TALES DAÑOS SE BASAN EN UN INCUMPLIMIENTO

DE GARANTIAS EXPRESAS O IMPLICITAS, INCUMPLIMIENTO DE CONTRATOS, NEGLIGENCIA, AGRAVIO ESTRICTO, O CUALQUIER OTRA VERSION LEGAL.

Renuncia de Garantías Implícitas

LAS GARANTIAS ANTERIORES SUBSTITUYEN A TODAS LAS OTRAS GARANTIAS, EXPRESAS O IMPLICITAS, INCLUYENDO PERO NO LIMITADAS A LAS GARANTIAS IMPLICITAS DE COMERCIALIZACION E INTERPRETACION PARA UN PROPOSITO PARTICULAR.

Garantía Intransferible

Esta garantía se extiende sólo al comprador original y no es transferible.

Garantía de Satisfacción SprayTECH por 30-Días

¡Si, dentro de un período de 30-días de la fecha de compra, usted no está totalmente satisfecho con una unidad SprayTECH/CAPSpray, puede regresarla y recibir un crédito total hacia otro producto SprayTECH o CAPSpray de igual o mayor valor.

Patentes

Estos productos están protegidos por una de las siguientes patentes (U.S.A.):

5,286,045	D349,711	5,263,789	5,252,210	D345,841	5,059,099	5,084,964
5,217,238	4,720,801	4,785,719	4,828,464	5,145,331	4,390,324	4,403,924
4,928,722	4,416,588	4,003,504	RE29,055	4,624,602	4,834,287	5,073,092
D376,637	D387,414	D382,938	3,963,180	4,025,045	D405,159	D412,965
5,505,381	5,765,753	5,887,793	5,893,522			

Free Manuals Download Website

<http://myh66.com>

<http://usermanuals.us>

<http://www.somanuals.com>

<http://www.4manuals.cc>

<http://www.manual-lib.com>

<http://www.404manual.com>

<http://www.luxmanual.com>

<http://aubethermostatmanual.com>

Golf course search by state

<http://golfingnear.com>

Email search by domain

<http://emailbydomain.com>

Auto manuals search

<http://auto.somanuals.com>

TV manuals search

<http://tv.somanuals.com>