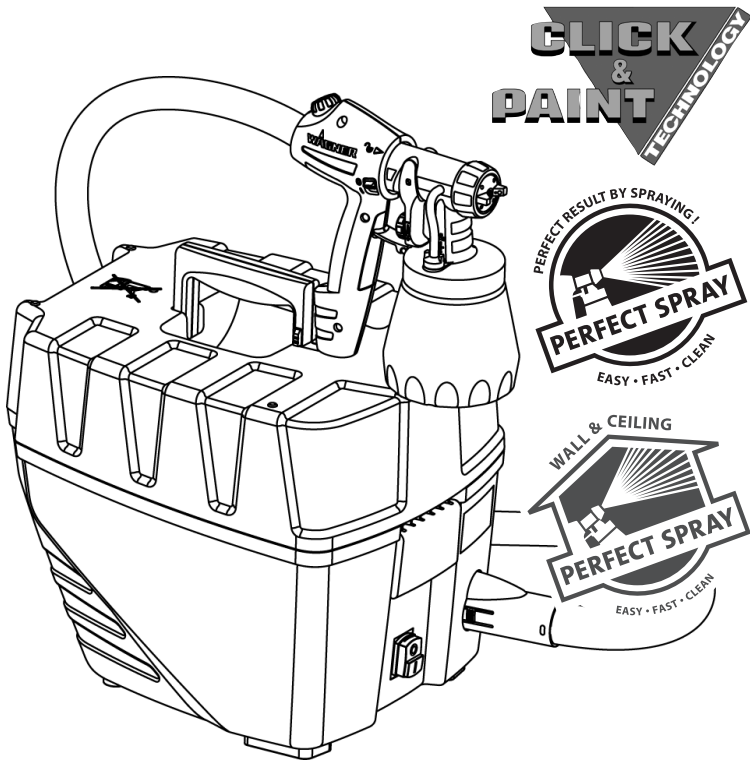


WAGNER

2 year
Guarantee

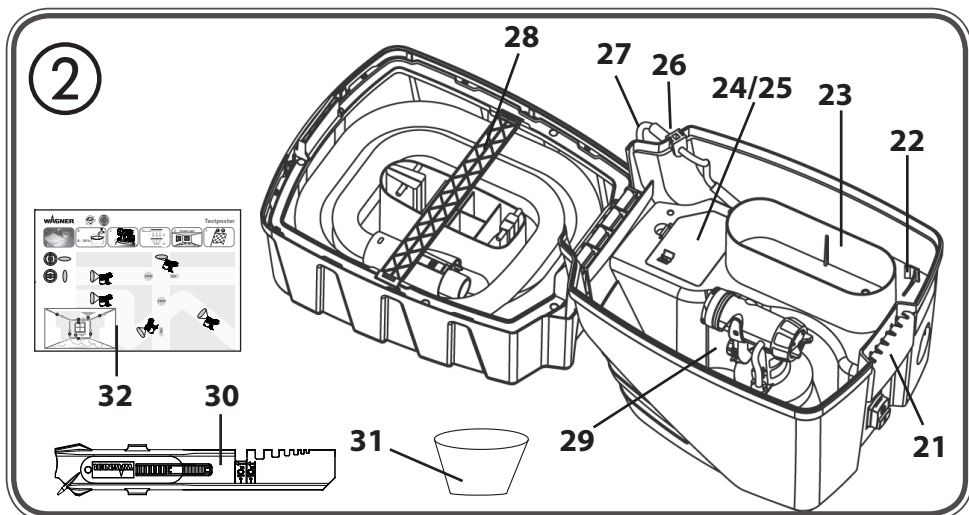
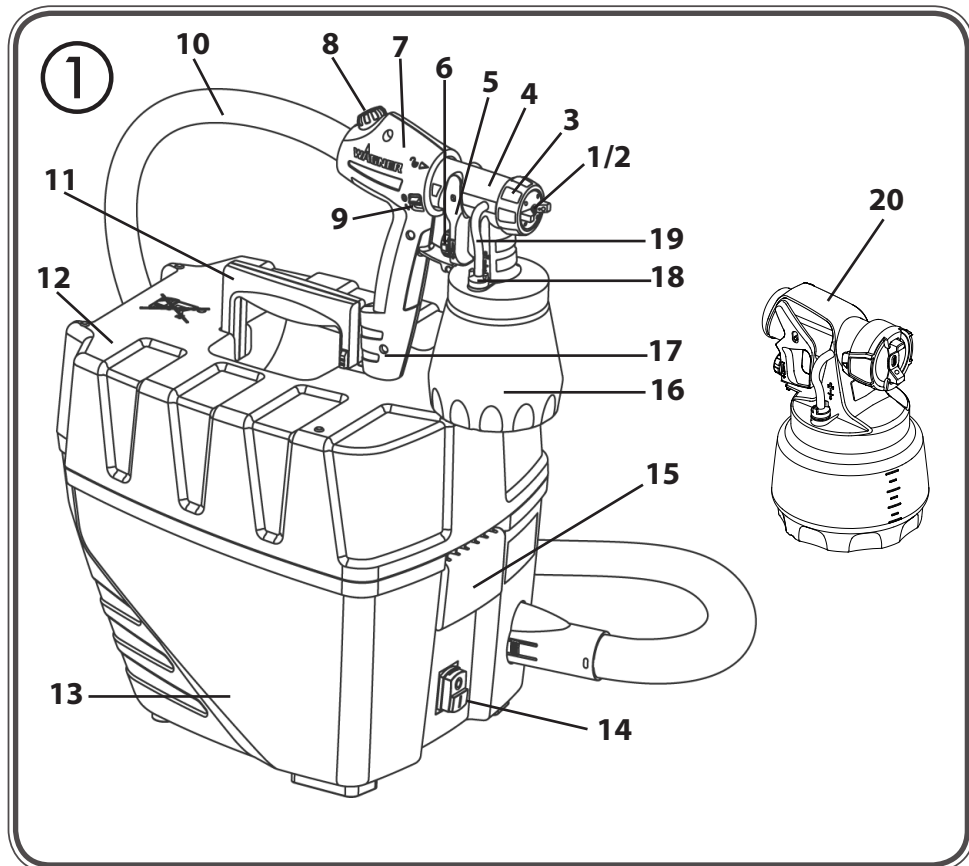


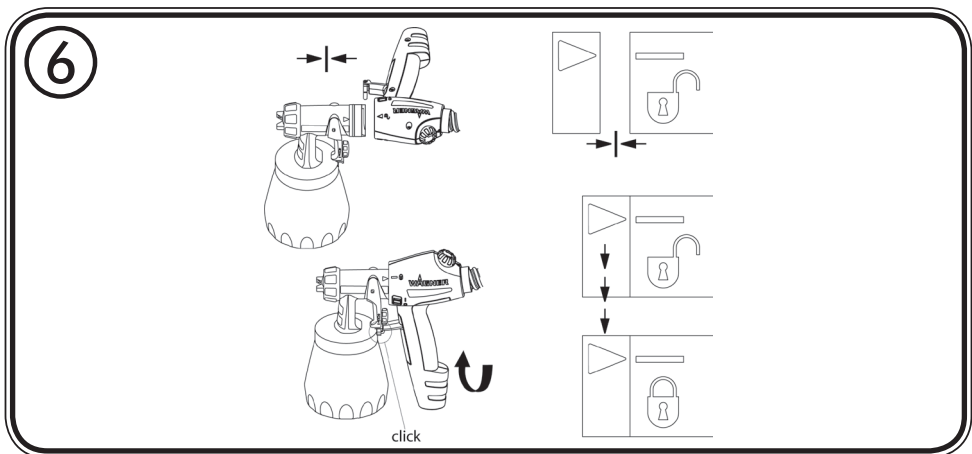
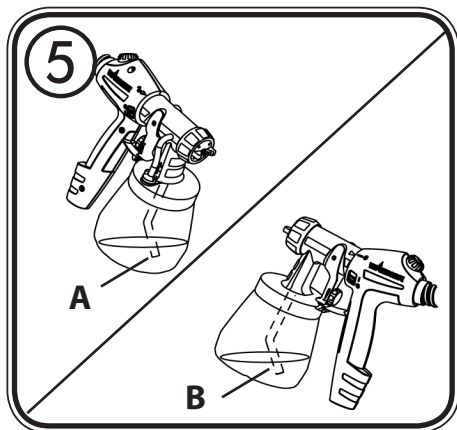
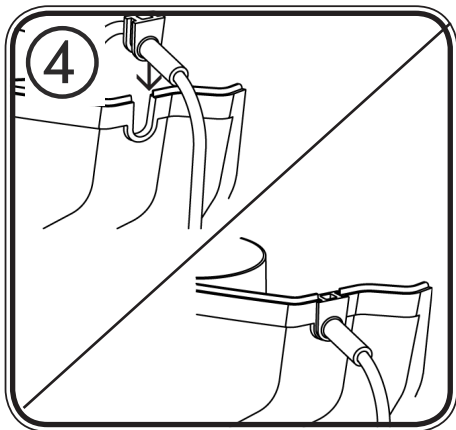
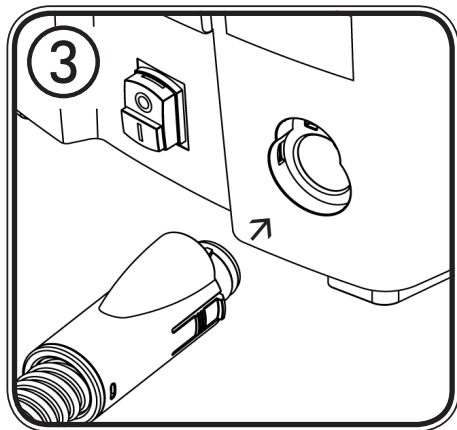
WallPerfect Flexio 867

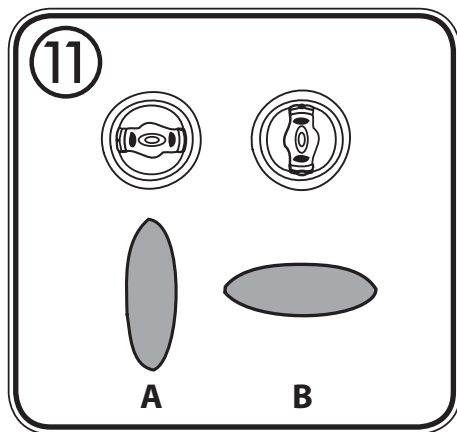
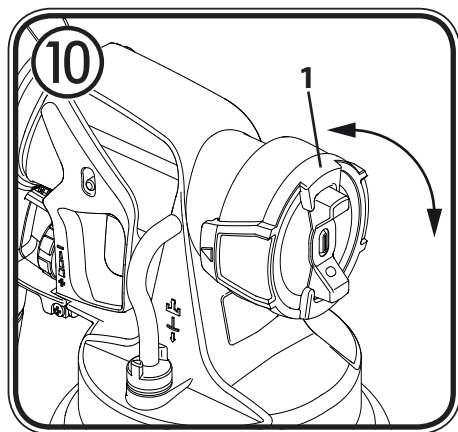
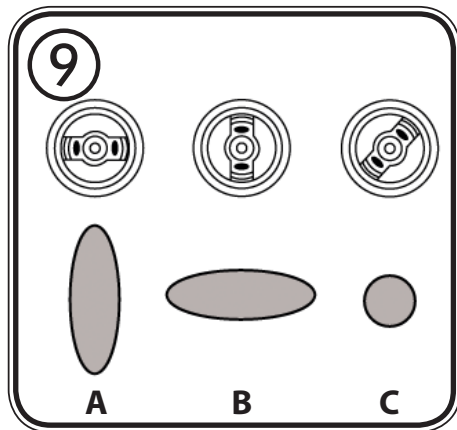
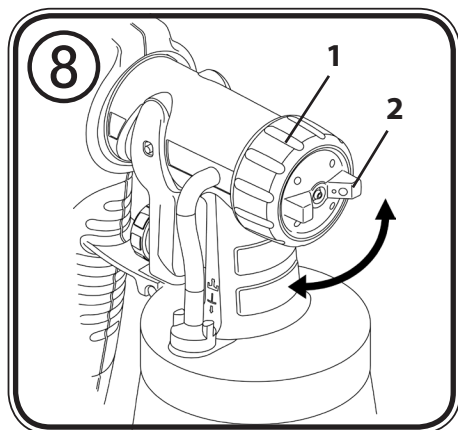
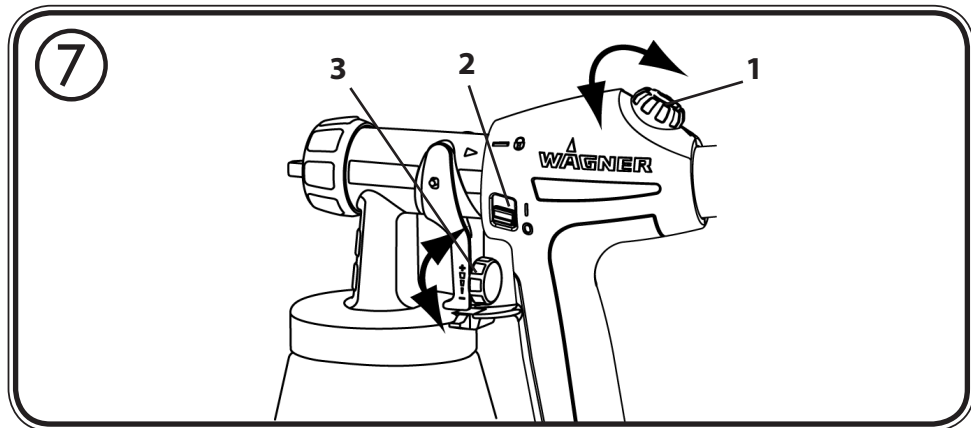


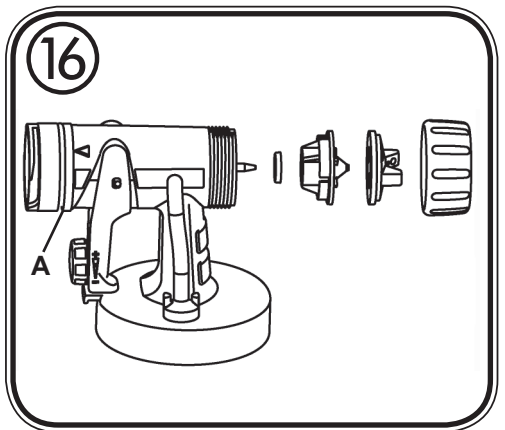
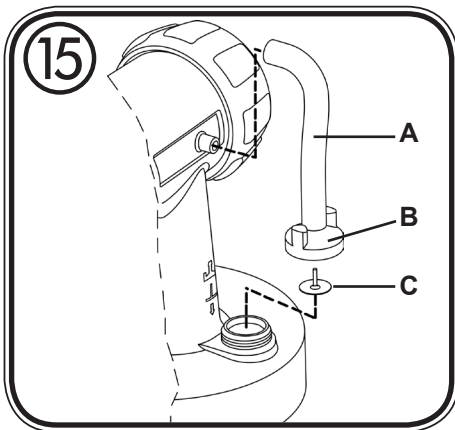
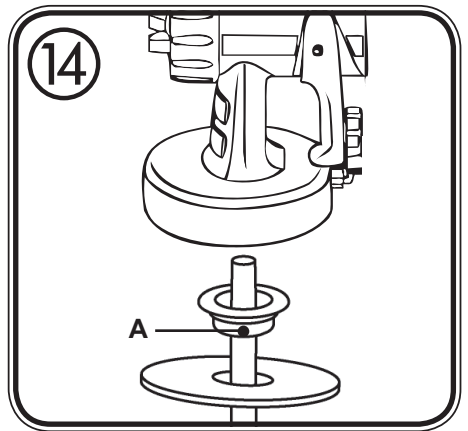
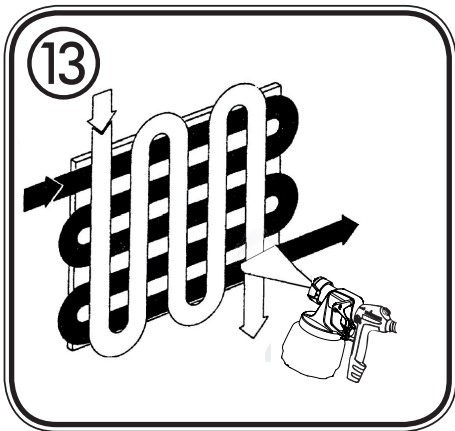
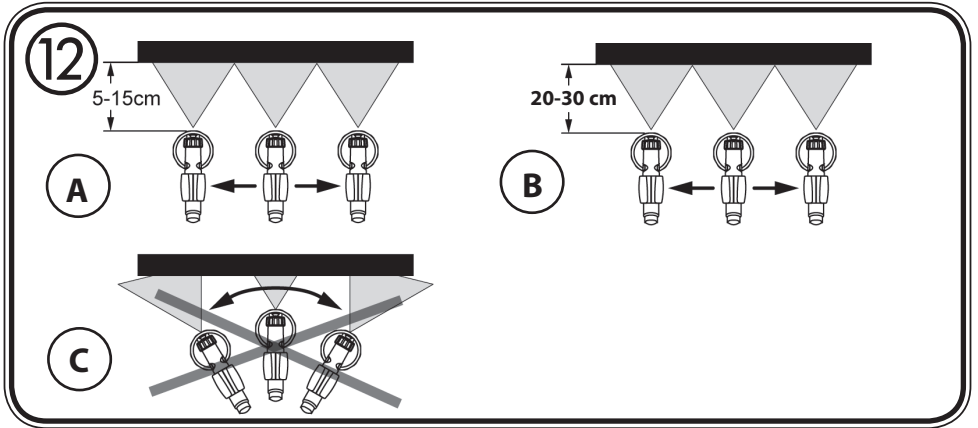
D/GB/F/NL

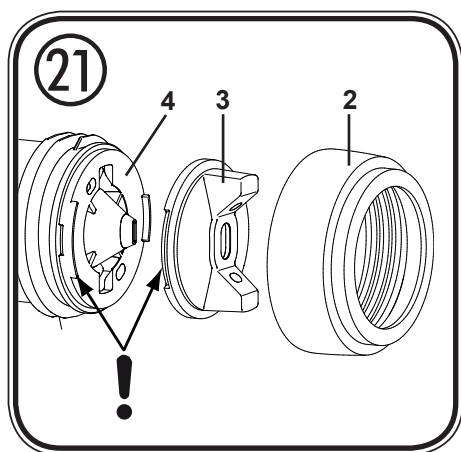
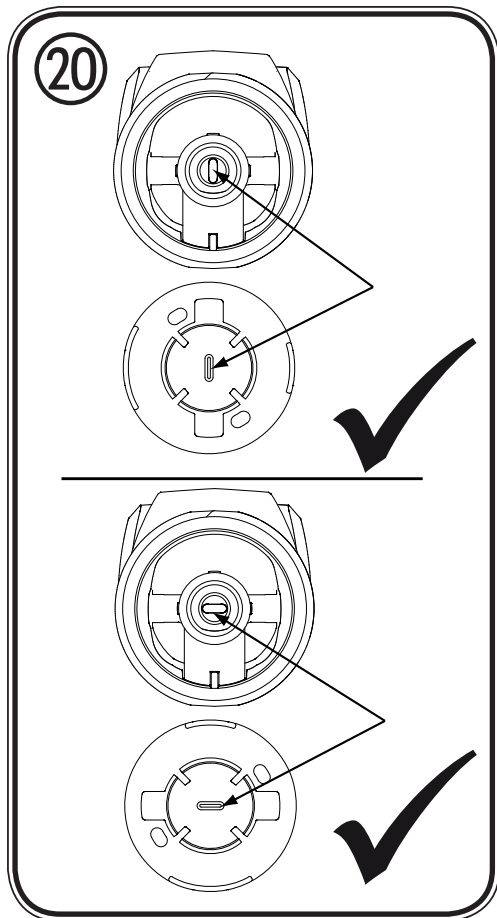
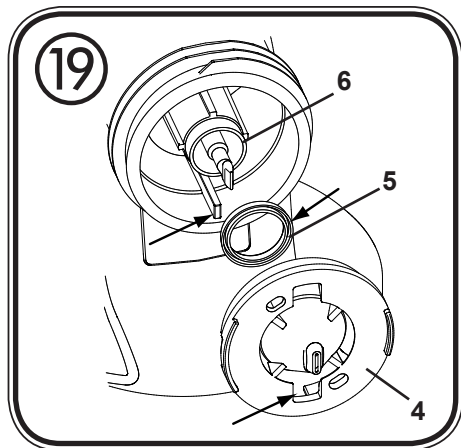
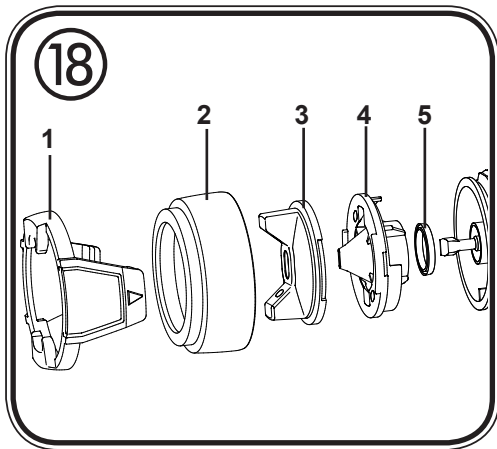
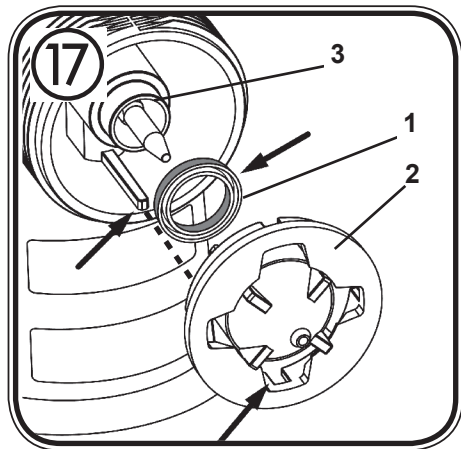


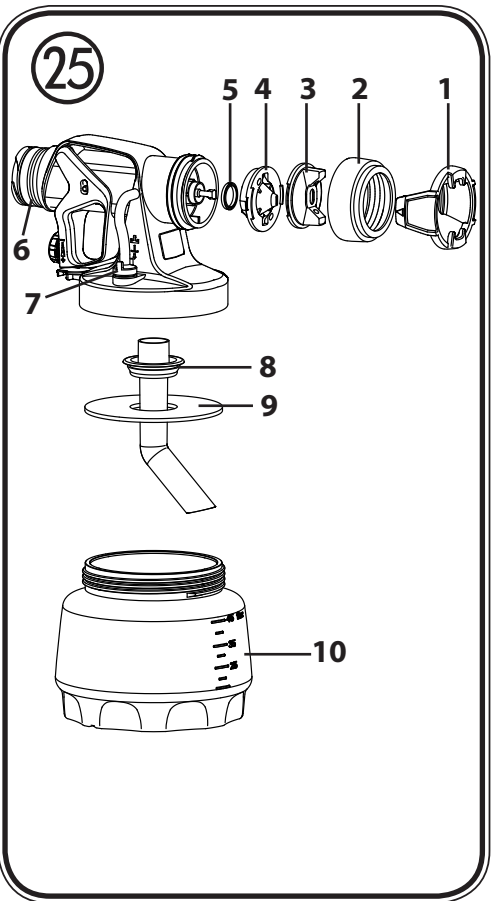
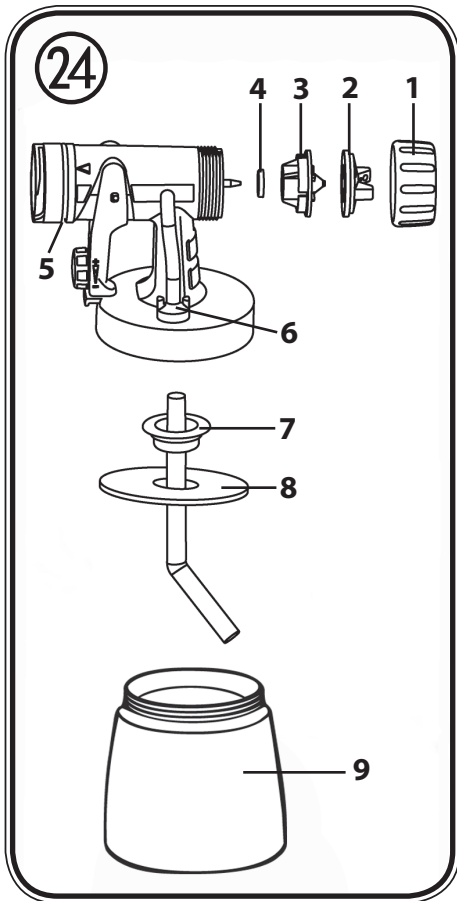
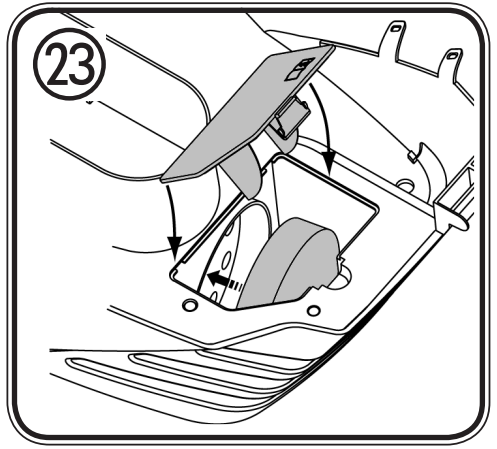
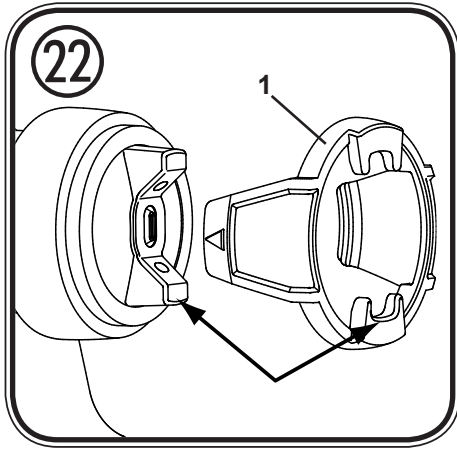




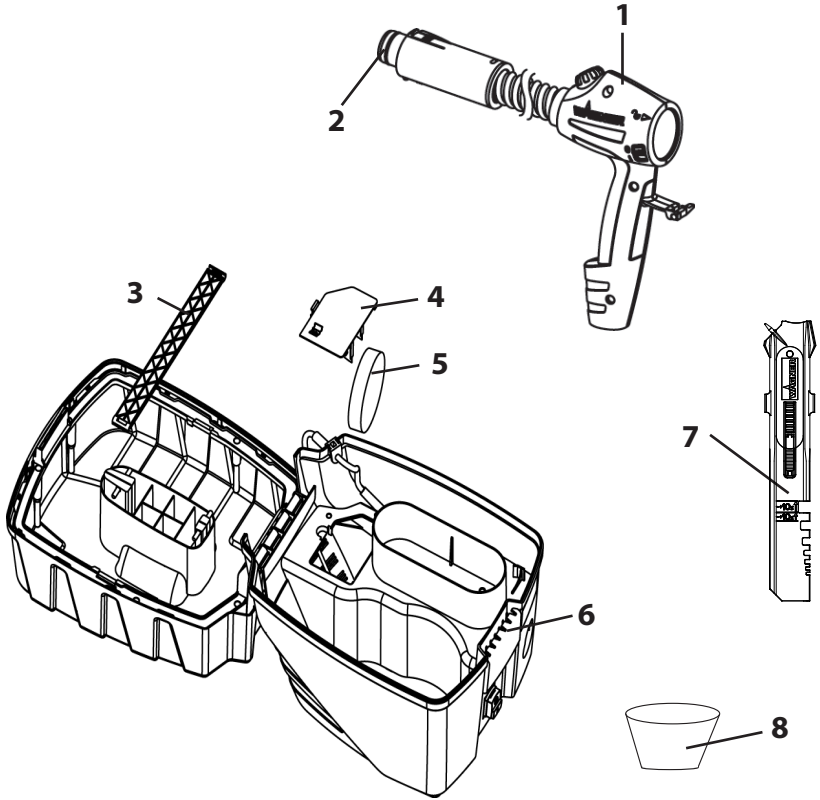








26



MANY THANKS FOR PLACING YOUR TRUST IN US

We would like to congratulate you on purchasing this brand product from Wagner; we are sure that you will enjoy working with it greatly.

Please read the Operating Manual carefully and observe the safety information before starting the device. Store the Operating Manual in a safe place close to the product in case it needs to be used by someone else.







We would be happy to be of assistance if you have any questions, suggestions or requests. Please contact us via the phone number included on the back page or via our homepage, www.wagner-group.com/service.

Contents

1. Explanation of symbols used	2
2. General Safety Instructions	2
3. Safety Instructions for Spray Guns	5
4. Description/ Scope of delivery	6
5. Field of application	7
6. Coating Materials Suitable for Use	7
7. Coating Materials Not Suitable for Use.....	7
8. Preparation of the workplace (for interior wall paint)	7
9. Preparation of the Coating Material	8
10. Start-up	8
11. Selecting the Spray Setting (Perfect Spray spray attachment)	9
12. Selecting the Spray Setting (WallPerfect I-Spray spray attachment)	10
13. Adjusting the Material Volume (Fig. 7, item 3).....	10
14. Setting the Amount of Air (Fig. 7, item 1)	10
15. Spray Technique.....	10
16. Interruption of Work till 4 Hours.....	11
17. Taking Out of Operation and Cleaning.....	11
18. Cleaning the Perfect Spray spray attachment	12
19. Cleaning the WallPerfect I-Spray spray attachment	13
20. Maintenance	14
21. Storage	14
22. Spare Parts	14
23. Accessories.....	15
24. Environmental protection.....	16
25. Important Note regarding Product Liability!	16
26. Correction of Malfunctions.....	16

27. Technical Data.....	18
2 years guarantee.....	19

1. Explanation of symbols used

	This symbol indicates a potential danger for you or for the device. Under this symbol you can find important information on how to avoid injuries and damage to the device.
	Danger of electrical shock
	Indicates tips for use and other particularly useful information.
	Do not sit or stand on the device. Danger of tilting/breaking!
	Devices and accessories marked with this symbol are suitable for processing low-viscosity materials such as paints, glazes and wall paints specifically designed for this purpose. If a material bears this logo, it is particularly well suited for use with the relevant device.
	Devices and accessories marked with this symbol are suitable for processing high-viscosity materials such as e.g. interior wall paints (dispersions and latex paints). If a material bears this logo, it is particularly well suited for use with the relevant device.

2. General Safety Instructions

Caution! *Read all the instructions. Non-observance of the instructions below can cause electric shock, fire and or serious personal injuries. The term "power tool" used below covers both mains-operated power tools (with mains lead) and accumulator-operated power tools (without mains lead).*



1. Safety at the workplace

a) Keep your workplace clean and well lit. *Disorder or unlit workplaces may result in accidents.*

- b) Never use the tool in hazardous areas that contain flammable liquids, gases or dusts.** *Power tools generate sparks that can ignite the dust or vapors.*
- c) Keep children and other persons away when using the power tool.** *You can lose control of the tool if you are distracted.*

2. Electrical Safety

- a) The tool plug must fit into the socket. The plug may not be modified in any form. Do not use adaptor plugs together with protective-earthed tools.** *Unmodified plugs and suitable sockets reduce the risk of an electric shock.*
- b) Avoid physical contact with earthed surfaces such as pipes, heating elements, stoves and refrigerators.** *The risk through electric shock increases if your body is earthed.*
- c) Keep the equipment away from rain and moisture.** *The risk of an electric shock increases if water penetrates electrical equipment.*
- d) Do not misuse the mains lead by carrying the tool by the lead, hanging it from the lead or by pulling on the lead to remove the plug. Keep the lead away from heat, oil, sharp edges or moving tool parts.** *Damaged or twisted leads increase the risk of an electric shock.*
- e) If you work outdoors with a power tool, only use extension cables suitable for outdoor use.** *The use of an extension lead that is suitable for outdoors reduces the risk of an electric shock.*
- f) If you cannot avoid using the tool in a damp environment, use a residual current operated circuit-breaker.** *Using a residual current operated circuit-breaker avoids the risk of electric shock.*

3. Safety of Persons

- a) Be attentive. Pay attention to what you are doing and work sensibly with a power tool. Do not use the tool if you are tired or under the influence of drugs, alcohol or medication.** *Just a moment of inattentiveness while using the tool can lead to serious injuries.*
- b) Wear personal safety equipment and always wear safety goggles** *Wearing personal protective equipment, such as dust mask, non-slip safety shoes, safety helm or ear protection, depending on the type of power tools, reduces the risk of injury.*
- c) Avoid accidental starting-up. Make sure that the electric tool is switched off before you connect it to the power supply, pick it up or carry it.** *Accidents can occur if you carry the power tool while your finger is on the switch or if you connect the power tool to the power supply which it is on.*

- d) Remove setting tools or wrenches before switching on the power tool.** *A tool or wrench that is in a rotating tool part can lead to injuries.*
- e) Avoid an unnatural posture. Ensure that you are standing securely and have your balance at all times.** *This ensures that you can control the tool better in unexpected situations.*
- f) Wear suitable clothing. Do not wear wide clothing or jewelry. Keep your hair, clothes and gloves away from moving parts.** *Loose clothing, jewelry or long hair can be caught in moving parts.*
- g) This device can be used by children over the age of 8 as well as by people with restricted physical, sensory or mental abilities or who have little experience or knowledge about it, providing they are supervised or instructed on how to use the device safely and what risks are involved.** *Children may not play with the device. User maintenance and cleaning may not be carried out by children unattended.*

4. Careful Handling and Use of Power Tools

- a) Do not overload the tool. Use the power tool designed for the work that you are doing.** *You work better and safer in the specified performance range if you use the suitable power tool.*
- b) Do not use power tools whose switch is defective.** *A power tool that cannot be switched on or off is dangerous and has to be repaired.*
- c) Remove the plug from the socket before carrying out tool settings, changing accessories or putting the tool away.** *This precautionary measure prevents unintentional starting of the tool.*
- d) Store unused power tools so that they are inaccessible to children. Do not let persons use the tool who are not familiar with it or who have not read these instructions.** *Power tools are dangerous when they are used by inexperienced persons.*
- e) Take proper care of your tools. Check whether the moving parts function trouble-free and do not jam, whether parts are broken or damaged so that the tool function is impaired. Have damaged parts repaired before using the tool.** *Many accidents have their origin in power tools that have been maintained badly.*
- f) Use the power tool, accessories, insert tools, etc. in accordance with these instructions and in a fashion specified for this special tool type. Take the working conditions and the activity to be carried out into consideration.** *The use of power tools for purposes other than the intended ones can lead to dangerous situations.*

5. Service

- a) **Have your tool repaired only by qualified specialist personnel and only with original spare parts.** *This ensures that the tool safety is maintained.*
- b) **If the supply cord is damaged, it must be replaced by the manufacturer or its service agent or a similarly qualified person in order to avoid a safety hazard.**

3. Safety Instructions for Spray Guns



ATTENTION! EXPLOSION HAZARD!

Do not store flammable materials in the base device!
Only store materials in the basic device in containers that close airtight!
Remove any material that may have leaked into the basic device immediately and allow the device to dry completely before using it! Do not store materials contained solvents in the basic device during operation!

- **CAUTION!** Wear breathing equipment: Paint mist and solvent vapors are damaging to health. Always wear breathing equipment and only work in well ventilated rooms or using supplementary ventilating equipment. It is advisable to wear working clothing, safety glasses, ear protection and gloves.



CAUTION: Danger of injury! Never point the spray stream towards human beings or animals.



Sockets and plugs must be masked. Risk of an electric shock as a consequence of sprayed material entering the socket!

- Do not use the spray guns to spray flammable substances.
- The spray guns are not to be cleaned with flammable solvents.
- Caution against dangers that can arise from the sprayed substance and observe the text and information on the containers or the specifications given by the substance manufacturer.
- Do not spray any liquid of unknown hazard potential.
- The device may not be used in workplaces covered by the explosion-protection regulations.
- To avoid the hazard of explosion when spraying, provide for effective natural or artificial ventilation.
- There must be no sources of ignition such as, for example, open fires, smoke of lit cigarettes, cigars and tobacco pipes, sparks, glowing wires, hot surfaces, etc. in the vicinity during spraying.
- Ensure that no solvent vapors are sucked in by the unit. Do not spray onto the unit!
- The spray gun is not a toy; children must therefore not be allowed to handle it or play with it.

- Before working on the spray gun remove the power plug from the socket.
- Cover areas that are **not** to be sprayed. When working keep in mind that wind, for example, may transport paint mist over great distances and cause damage.
- The units may only be used with a functional valve. **If paints rises in the ventilating hose (Fig. 1, item 19) do not operate the unit further!** Dismantle and clean the ventilating hose, valve and diaphragm and replace the diaphragm if necessary.
- Do not lay the spray gun.
- The device is equipped with a thermal release which disconnects the device in case of overheating. In this case, turn off the device, remove the plug and let the device cool down for at least 1/2 hour. Eliminate the cause of heating, e.g. bent hose, soiled air filter, slots for air intake covered.

With original WAGNER accessories and spare parts, you have the guarantee that all safety regulations are fulfilled.

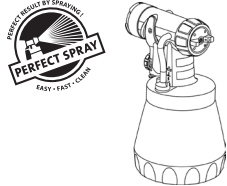
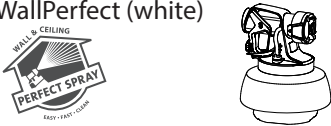
4. Description/ Scope of delivery

Description/ Scope of delivery (Figs. 1+2)	
1) Air cap	2) Nozzle
3) Union nut	4) Perfect Spray spray attachment
5) Trigger	6) Material volume regulation
7) Gun handle	8) Air volume control
9) ON/OFF switch	10) Air hose
11) Carry handle	12) Cover
13) Bottom section	14) Main switch
15) Closure	16) Container
17) Gun holder	18) Valve
19) Ventilating hose	20) WallPerfect I-Spray spray attachment
21) Air hose connection	22) Fastener for radiator/detail spray attachment (accessory)
23) Deposition tray for hardware	24) Cover of air filter compartment
25) Air filter	26) Cable grommet
27) Power cable	28) Air hose retainer
29) Deposition tray for spray attachments	30) Stirring rod
31) Feed hopper	32) Practice poster
33) Replacement nozzle seal *	34) Lubricating grease (without illustration)*

* This is inside the container: remove it before starting operations!

5. Field of application

Many different coating substances can be processed with the Flexio 867.
A different spray attachment must be used, depending on the coating substance:

Coating Materials	Spray attachment
<p>Low-viscosity coating substances: Water- and solvent-based paints, finishes, primers, 2-component paints, clear finishes, automotive finishes, staining sealers and wood sealer-preservedives. All coating materials with the red Perfect Spray logo</p>	<p>Perfect Spray (anthracite)</p> 
<p>Interior wall paint (dispersions and latex paint) All coating materials with the green Perfect Spray logo</p>	<p>WallPerfect (white)</p> 

6. Coating Materials Suitable for Use

Interior wall paint (dispersions and latex paint)
Water- and solvent-based paints, finishes, primers, 2-component paints, clear finishes, automotive finishes, staining sealers and wood sealer-preservedives.

7. Coating Materials Not Suitable for Use

Materials that contain highly abrasive components, facade paint, caustic solutions and acidic coating substances. Flammable materials.

8. Preparation of the workplace (for interior wall paint)



Sockets and plugs must be masked. Risk of an electric shock as a consequence of sprayed material entering the socket!



Mask all the areas and objects that are not to be spray painted, or remove them from the work area. No liability is assumed for damage due to overspray. Silicate paint corrodes glass and ceramic surfaces upon contact! All such surfaces must therefore be completely covered.



Pay attention to the quality of the adhesive tape used. Do not use excessively strong adhesive tape on wallpaper and painted surfaces, in order to avoid damaging these surfaces when removing the tape. Remove adhesive tape slowly and evenly; do not use jerky movements. Do not leave adhesive tape on surfaces any longer than necessary, in order to minimise the possibility of residues when removing. Also observe the adhesive tape manufacturer's instructions.

9. Preparation of the Coating Material

- Mix the material well in the original container. When using interior wall paint, an agitator is recommended.



Flexio 867 has been developed for use with all conventional paints in their undiluted form. If the surface is smooth and the paint you are using is very thick and gel-like, dilute it by 10%. Dilution can be necessary if the atomisation is coarse or if the flow rate is too low even at the maximum setting. Detailed information about the various materials and the maximum permitted dilution can be found on the manufacturers' technical data sheets (e.g. available on the Internet).



Spray material that is at least at room temperature provides a better spray result.

10. Start-up

Before connecting to the mains supply, be sure that the supply voltage is identical with the value given on the rating plate.




ATTENTION: Do not sit or stand on the device. Danger of tilting/breaking!

1. Always lower the carry handle in the cover before opening the cover. Press the locking device on both sides to this purpose.
2. Open the closure (Fig. 1, item 15) and fold open the cover of the device. Open the air hose retainer (Fig. 2, item 28). Remove the air hose and connect it to the air hose connection (Fig. 3). Close the air hose retainer again.
3. Unroll the power cable and slide the cable grommet into the provided recess (Fig. 4).



ATTENTION: Do not close the cover if the cable grommet is not positioned correctly. The power cable could otherwise be damaged!

4. Remove the spray attachment from the deposition tray. Unscrew the container from the spray attachment.
 5. Align the ascending tube. (Fig. 5)
If the ascending tube is positioned correctly, the container contents can be sprayed without almost any residue. When working on lying objects: Turn the ascending tube forwards. (Fig. 5A)
Spraying work when working on overhead objects: Turn the ascending tube rearwards. (Fig. 5B)
-  For easier coating of ceilings and lying objects, we recommend the 60 cm HVLP handle extension. (Order no. 2307 678)
6. Place the container on a paper base and fill in the prepared coating material. Screw the container firmly onto the spray attachment.
 7. Connect the front part of the gun and the gun handle to each other. (Fig. 6)
 8. Close the device cover and pull the carry handle upwards. This makes the gun holder accessible.
 9. Put the spray gun onto the gun holder at the device.
 10. Place the device only on a plane and clean surface. Otherwise, the gun may suck in dust, etc.
 11. Switch on the main switch at the device (Fig. 1, item 14).
 12. Remove the spray gun from the gun holder and point it at the object to be coated.
 13. Press the On/Off switch at the gun handle (Fig. 7, item 2).



The enclosed practice poster is ideal for familiarising yourself with operation of the spray gun. After trying out the first spray coatings, it makes sense to test it further on cardboard or a similar surface in order to find out the right flow rate of paint and air for the best spray pattern. Detailed information about these settings can be found in chapter 11- 14.

11. Selecting the Spray Setting (Perfect Spray spray attachment)



WARNING!

Danger of injury! Never pull the trigger guard while adjusting the air cap.

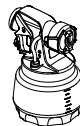
With the union nut (fig. 8, 1) slightly unscrewed, turn the air cap (2) to the desired spraysetting position (arrow). Then tighten the union nut.

Fig. 9 A = horizontal flat jet → for horizontal surfaces

Fig. 9 B = vertical flat jet → for vertical surfaces

Fig. 9 C = circular jet → for corners, edges and hard-to-reach surfaces

12. Selecting the Spray Setting (WallPerfect I-Spray spray attachment)



WARNING! Danger of injury! Never pull the trigger guard while adjusting the air cap.

2 different spray jet shapes can be set by turning the adjustment ring (fig. 10, 1)

Fig. 11 A = vertical flat jet → for horizontal surfaces

Fig. 11 B = horizontal flat jet → for vertical surfaces

13. Adjusting the Material Volume (Fig. 7, item 3)

Set the material volume by turning the regulator on the trigger guard of the spray gun.

- turn to the left → lower material volume

+ turn to the right → higher material volume

14. Setting the Amount of Air (Fig. 7, item 1)

Depending on the viscosity of the material to be sprayed and the finish of the object to be coated, it may be advisable to vary the amount of air. Very low viscosity materials, such as watery glazes do not have to be atomised with the maximum amount of air. In this case it is advisable to reduce the amount of air and thus minimize the spray vapour.

This also applies for the use of the low-scale and radiator/detail spray attachment (accessory).

- turn to the left → lower amount of air

+ turn to the right → higher amount of air

15. Spray Technique



The spray result depends heavily on the smoothness and cleanliness of the surface to be sprayed. Therefore the surface should be carefully prepared and kept free of dust.

- Cover all surfaces not to be sprayed.
- Cover screw threads or similar parts of the target object.



Important: Start at the edge of the area to be sprayed. Start the spray movement first of all, and then press the trigger. Avoid interruptions within the area to be sprayed.

- The spray movement should come from the arm, not just from the wrist. This ensures that a uniform distance is maintained between the spray gun and the spray surface during the spray operation. Select a distance of 5 - 15 cm, depending on the desired spray jet width. When you are using interior wall paint, the distance should be about 20-30 cm.

Fig. 12 A/ 12 B: **CORRECT** Even distance to the object.

Fig. 12 B: **INCORRECT** An uneven distance will result in uneven paint application.

- Move the spray gun evenly cross-wise or up-and-down, depending on the spray pattern setting.
- An even movement of the spray gun results in an even surface quality.
- When coating material builds up on the nozzle and air cap, clean both parts with a solvent or water.



"Cross spray" when using paint with a poor covering capacity or if the surface is highly absorbent (Fig. 13).



Interior wall paint in strong colour shades should be applied at least twice (allow first paint coat to dry first). This will ensure good coverage.

16. Interruption of Work till 4 Hours

- Turn the machine off.
- During longer breaks, vent the container by briefly opening and then closing it again.
- Clean nozzle openings after an interruption in operation.
- When processing 2-component varnishes, clean the device immediately.

17. Taking Out of Operation and Cleaning

Proper cleaning is the prerequisite for problem-free operation of the paint application device. No warranty claims are accepted in case of improper or no cleaning.

- 1) Turn the machine off.
- 2) Divide the spray gun. Press the hook (Fig. 6 "click") slightly downwards. Turn the gun front part and gun rear part against each other.
ATTENTION: Never hold the gun handle under water or immerse it into liquids. Clean the housing only with a moistened cloth.
- 3) Unscrew the container. Empty any remaining coating material back into the material tin.
- 4) Preclean the container and feed tube with a brush. Clean the ventilating bore (Fig.14, item A).
- 5) Pour solvent or water into the container. Screw the container back on.
Do not use flammable materials for cleaning purposes.
- 6) Assemble the gun again (Fig. 6).

- 7) Turn on the machine and spray the solvent or water into a container or a cloth.
- 8) Repeat the above procedure until the solvent or water emerging from the nozzle is clear.
- 9) Turn off the machine and divide the spray gun. Press the hook (Fig. 6 "click") slightly downwards. Turn the gun front part and gun rear part against each other and take them apart.

18. Cleaning the Perfect Spray spray attachment



- 1) Screw off the container and empty it. Pull out the suction tub with container seal.
- CAUTION!** Never clean seals, diaphragm and nozzle or air holes of the spray gun with metal objects.
The ventilation hose and diaphragm are only solvent-resistant to a limited extent. Do not immerse in solvent, only wipe.
- 2) Pull the ventilating hose (Fig.15, A) at the top from the gun body. Screw off the valve cover (B). Remove the diaphragm (C). Clean all the parts carefully.
 - 3) Unscrew the union nut and remove the air cap and nozzle. Clean the air cap, nozzle seal and nozzle with a brush and solvent or water (Fig. 16).
 - 4) Clean the outside of the spray gun and container with a cloth soaked in solvent or water.
 - 5) Assemble the parts again (see "Assembly").

Assembly

The unit may only be operated with an integer diaphragm (Fig. 15, C).

- 1) Place the diaphragm (Fig. 15 ,C) **with the pin facing upwards** on the bottom section of the valve. Also see the marking on the gun body.
- 2) Place on the valve cover (Fig. 15 ,B) and screw it closed.
- 3) Place the ventilating hose (Fig. 15, A) on the valve cover and on the nipple at the gun body.
- 4) Push the nozzle seal (fig. 17, 1) over the needle (3); the groove (slot) should point towards you.
- 5) Put the nozzle (Fig. 17, 2) onto the gun body and find the correct position by turning it.
- 6) Put the air cap onto the nozzle and tighten it using the union nut.
- 7) Place the container seal from below on the suction tube and slide it over the collar, while turning the container seal slightly.
- 8) Insert the suction tube with container seal in the gun body.

19. Cleaning the WallPerfect I-Spray spray attachment



1) Screw of the container and empty it. Pull out the suction tub with container seal.

CAUTION! Never clean seals, diaphragm and nozzle or air holes of the spray gun with metal objects.

The ventilation hose and diaphragm are only solvent-resistant to a limited extent. Do not immerse in solvent, only wipe.

- 2) Pull the ventilating hose (Fig. 15, A) at the top from the gun body. Screw off the valve cover (B). Remove the diaphragm (C). Clean all the parts carefully.
- 3) Remove the adjustment ring (fig. 18, 1) carefully from the union nut (2).
- 4) Unscrew the union nut (fig. 18, 2) and remove the air cap (3) and nozzle (4). Clean the air cap and nozzle with a brush and solvent or water.
- 5) Clean the outside of the spray gun and container with a cloth soaked in solvent or water.
- 6) Assemble the parts again (see "Assembly").

Assembly

The unit may only be operated with an integer diaphragm (Fig. 15, C).

- 1) Place the diaphragm (Fig. 15, C) **with the pin facing upwards** on the bottom section of the valve. Also see the marking on the gun body.
- 2) Place on the valve cover (Fig. 15, B) and screw it closed.
- 3) Place the ventilating hose (Fig. 15, A) on the valve cover and on the nipple at the gun body.
- 4) Push the nozzle seal (fig. 19, 5) over the needle (6); the groove (slot) should point towards you.
- 5) Place the nozzle (fig. 19, 4) on to the gun body with the recess facing downwards.
Attention: Position of needle must be congruent with the nozzle aperture. (Fig.20)
- 6) Put the air cap (Fig. 21, 3) onto the nozzle (4) and tighten it using the union nut (2)
- 7) Position the adjustment ring (fig. 22, 1) on the union nut so that the recesses on the adjustment ring can snap into both horns on the air cap.
- 8) Place the container seal from below on the suction tube and slide it over the collar, while turning the container seal slightly.
- 9) Insert the suction tube with container seal in the gun body.

20. Maintenance



WARNING!

Never operate the machine without the air filter; dirt could be sucked in and interfere with the function of the machine. Do not store any objects in the air filter compartment.

Change the air filter if it is soiled. Unplug the power plug. Open the cover of the air filter compartment (Fig. 23). Insert a new air filter into the compartment. Close the cover of the air filter compartment.

In order to mount the gun more easily apply lubricating grease (enclosed) liberally to the O-ring at the spray attachment (Fig. 24, item 5 and Fig. 25, item 6) and to the O-ring of the plug connection of the air hose (Fig. 26, item 2).

21. Storage

Remove the hose and when storing it in the cover put in the gun handle first.

22. Spare Parts

Spare Parts List Perfect Spray spray attachment (Fig. 24)

Pos.	Designation	Order No.
	Perfect Spray spray attachment complete with 600 ml container	2309 739
1	Union nut	0417 319
2	Air cap	2305 144
3	Nozzle	2305 131
4	Nozzle seal	0417 706
5	O-ring of spray attachment	0417 308
6	Ventilating hose, valve cover, diaphragm	2304 027
7	Suction tube	0417 357
8	Container seal	0417 358
9	Container with cover 600 ml	0414 906

Spare Parts List WallPerfect I-Spray spray attachment (Fig. 25)

Pos.	Designation	Order No.
	WallPerfect spray attachment complete with 1300 ml container	2321 896
1	Spray jet adjustment ring	2328 900
2	Union nut	2328 903
3	Air cap	2328 905
4	Nozzle	2328 908
5	Nozzle seal (2 pcs.)	2304 433
6	O-ring of spray attachment	0417 308
7	Ventilating hose, valve cover, diaphragm	2304 027

Spare Parts List WallPerfect I-Spray spray attachment (Fig. 25)

8	Suction tube	2328 922
9	Container seal	2328 919
10	Container with cover 1300 ml (only for WallPerfect spray attachment)	2305 155

Spare Parts List Flexio 867 (Fig. 26)

Pos.	Designation	Order No.
1	Gun handle with air hose	2309 369
2	O-ring of air hose	0420 316
3	Air hose retainer	0420 326
4	Cover of air filter compartment	0420 328
5	Air filter	0420 702
6	Closure	0420 701
7	Stirring rod	2304 419
8	Feed hopper (3 pcs.)	2304 028
	Lubricating grease	2315 539

23. Accessories

The new **CLICK&PAINT SYSTEM** with additional spray attachments and accessories offers the right tool for each work.

Accessories (not included in the delivery)

Name	Order No.
HVLP handle extension For easier coating of ceilings and horizontal objects.	2307 678
Container with cover 800 ml Ensures that the paint does not dry out and the solvent does not evaporate.	0413 909
Brilliant spray attachment incl. 600 ml container Optimised nozzle and air guidance for brilliant paint results	0417 934
Perfect Spray spray attachment incl. 800 ml. container For a rapid paint change. For medium- and large-scale objects and furniture.	0417 916
Small-scale spray attachment incl. 250 ml container For filigree objects, detailed and creative work.	0417 924
Perfect Spray spray attachment incl. 1400 ml container Rapid working at larger objects such as timber houses, garage doors, etc.	0417 923
Detail / Radiator spray attachment incl. 600 ml container For inaccessible places, such as radiators, cupboard corners, recesses etc.	0417 925

Accessories (not included in the delivery)

WallPerfect I-Spray spray attachment incl. 1800 ml container For processing interior wall paint	2326 477
--	----------

Further information about the WAGNER range of products for renovating is available under www.wagner-group.com

24. Environmental protection



The device and all accessories and packaging have to be recycled in an environmentally friendly manner. Do not dispose of the appliance with household waste. Support environmental protection by taking the appliance to a local collection point or obtain information from a specialist retailer. Leftover paint and solvents may not be emptied into drains, the sewage system or disposed of as household rubbish. It has to be disposed of separately as special waste. Please pay special attention to the instructions on the product packaging.

25. Important Note regarding Product Liability!

Due to an EC ordinance in effect since 01.01.1990, the manufacturer is liable for his product only if all parts originate from or were approved by the manufacturer and the devices are assembled and operated correctly. The use of other accessories and spare parts can partially or completely invalidate the liability.

26. Correction of Malfunctions

Malfunction	Cause	Remedy
No coating material emerges from the nozzle	<ul style="list-style-type: none"> • Nozzle clogged • Material volume setting turned too far to the left (-) • No pressure build-up in container • Container empty • Feed tube loose • Feed tube clogged • Ventilating bore (Fig.14, A) clogged 	<ul style="list-style-type: none"> → Clean → Turn to the right (+) → Tighten container → Refill → Insert → Clean → Clean
Coating material drips from the nozzle	<ul style="list-style-type: none"> • Coating material assembly at air cap, nozzle or needle • Nozzle loose • Nozzle seal worn • Nozzle worn 	<ul style="list-style-type: none"> → Clean → Union nut tighten → Change → Change

Malfunction	Cause	Remedy
Atomisation too coarse	<ul style="list-style-type: none"> • Material volume too large Material volume adjusting screw turned too far to the right (+) • Nozzle contaminated • Viscosity of coating material too high • Too little pressure build-up in container • Air filter heavily soiled • Amount of air too low 	<ul style="list-style-type: none"> → Turn material volume adjusting screw to the left (-) → Clean → Dilute → Tighten container → Change → Turn the air volume control to the right (+)
Spray jet pulsates	<ul style="list-style-type: none"> • Coating material in container running out • Nozzle seal worn • Air filter heavily soiled 	<ul style="list-style-type: none"> → Refill → Replace → Change
Coating material causes "paint tears"	<ul style="list-style-type: none"> • Too much coating material applied. 	<ul style="list-style-type: none"> → Turn material volume adjusting screw to the left (-)
Too much fog of coating material (Overspray)	<ul style="list-style-type: none"> • Distance to the object too large • Too much coating material applied • Amount of air too high 	<ul style="list-style-type: none"> → Reduce distance → Turn material volume adjusting screw to the left (-) → Turn the air volume control to the left (-)
Paint in the ventilating hose	<ul style="list-style-type: none"> • Diaphragm soiled • Diaphragm defective 	<ul style="list-style-type: none"> → Clean the diaphragm → Replace the diaphragm
Device does not function	<ul style="list-style-type: none"> • Device overheated 	<ul style="list-style-type: none"> → Unplug the power plug, let the device cool down approx. 30 minutes, do not bend the hose, check the air filter, do not cover the intake slots
Poor covering capacity on the wall	<ul style="list-style-type: none"> • Spray material is too cold • Highly absorbent surface or paint with poor covering capacity • Distance too large 	<ul style="list-style-type: none"> → The material you are spraying should be at room temperature → Cross spray (Fig. 13) → Closer to the object

27. Technical Data

Technical Data	
Max. viscosity:	
Interior wall paint	4000 mPas
Varnish paints, glazes, etc.	170 DIN-s
Max. flow rate:	
Interior wall paint	400 ml/min
Varnish paints, glazes, etc.	200 ml/min
Power source	240 V, ~ 50 Hz
Power consumption	660 W
Atomizing output:	200 W
Double insulation	<input type="checkbox"/>
Sound pressure level*	72 dB (A); Uncertainty K = 4 dB
Sound pressure output*	85 dB (A); Uncertainty K = 4 dB
Oscillation level*	< 2.5 m/s ² ; Uncertainty K = 1.5 m/s ²
Air hose length	3.5 m
Weight	approx. 6.6 kg

* Measured in accordance with EN 60745-1

Information about the oscillation level

The specified oscillation level has been measured according to a standard test procedure and can be used to compare against electric tools.

The oscillation level is also for determining an initial assessment of the vibrational strain.

Attention! The vibration emission value can differ from the specified value when the electric tool is actually in use, depending on how the electric tool is being used. It is necessary to specify safety measures to protect the operating personnel. These measures are based on an estimated shutdown during the actual conditions of use (all parts of the operating cycle are taken into consideration here, for example periods when the electric tool is switched off, and, when it is switched on but running without any load).

2 year guarantee

The guarantee runs for two years, counting from the date of sale (sales slip). It covers and is restricted to free-of-charge rectification of faults which are demonstrably attributable to the use of faulty materials in manufacture, or assembly errors; or free-of-charge replacement of the defective parts. The guarantee does not cover incorrect use or commissioning or fitting or repair work which is not stated in our operating instructions. Wearing parts are also excluded from the guarantee. The guarantee excludes commercial use. We expressly reserve the right to fulfil the guarantee. The guarantee expires if the tool is opened up by persons other than WAGNER service personnel. Transport damage, maintenance work and loss and damage due to faulty maintenance work are not covered by the guarantee. Under any guarantee claim, there must be proof of purchase of the tool through submission of the original receipt. Wherever legally possible, we exclude all liability for injury, damage or consequential loss, especially if the tool has been used for a purpose other than that stated in the operating instructions, commissioned or repaired other than in accordance with our operating instructions or if repairs are performed by someone who is unqualified. We reserve the right to perform any repairs in excess of those stated in our operating instructions. In case of guarantee or repair, please refer to your point of sale.

D **J. Wagner GmbH**
Otto-Lilienthal-Str. 18
D-88677 Markdorf
☎ Hotline 0180 5 59 24 637
☎ +49/ (0) 75 44/ 505-1169

B **WSB Finishing Equipment**
Veilinglaan 56-58
1861 Meise-Wolvertem
☎ +32/2/2 69 46 75 ☎ +32/2/2 69 78 45

F **Wagner France S.a.r.l.**
12 Avenue des Tropiques
Z.A. de Courtaboeuf
91978 Les Ulis Cedex
☎ 0 825 011 111 ☎ +33 (0) 1 69 81 72 57

DK/S **Wagner Spraytech Scandinavia A/S**
Helgeshøj Allé 28
DK-2630 Tåstrup
☎ +45/43 27 18 18 ☎ +45/43 43 05 28

CH **J. Wagner AG**
Industriestraße 22
9450 Altstätten
☎ +41/71/7 57 22 11 ☎ +41/71/7 57 23 23

SK **Phobos Corporation Spol.r.o**
Stanica 6, 92700 Sala
Slowakei
☎ +421/31/7 70 78 84 ☎ +421/31/7 70 22 42

NL **WSB Finishing Equipment BV**
De Heldinnenlaan 200
3543 MB Utrecht
☎ +31/30/2 41 41 55 ☎ +31/30/2 41 17 87

GB **Wagner Spraytech (UK) Ltd.**
The Coach House
2 Main Road
Middleton Cheney OX17 2ND
☎ 01295 714200 ☎ 01295 710100

CZ **E-Coreco s.r.o.**
Na Roudné 102
301 00 Plzeň
☎ +420 734 792 823 ☎ +420 227 077 364

E **J. Wagner Spraytech Ibérica S.A.**
Ctra. N-340, Km 1245,4
08750 Molins de Rei (Barcelona)
☎ +34/93/6 80 00 28 ☎ +34/93/6 68 01 56

SLO Adresa servisa:
GMA Elektromehanika d.o.o.
Cesta Andreja Bitenca 115,
Ljubljana 1000/Slovenija
☎ +386(1)/583 83 04 ☎ +386(1)/518 38 03

H Magyarországi szerviz
Hondimpex KFT.
Kossuth L. u. 48-50
8060 Mór
☎ +36(-22)/407 321 ☎ +36(-22)/407 852

PL **PUT Wagner Service**
ul. E. Imieli 14
41-605 Swietochlowice
☎ +48/32/2 45 06 19 ☎ +48/32/2 41 42 51

HR Adresa servisa:
EL-ME-HO
Horvatinčićev put 2
10436 Rakov Potok/Kroatien
☎/☎ +385(-1)65 86 - 028

AUS **Wagner Spraytech Australia Pty. Ltd.,**
14-16 Kevlar Close,
Braeside, VIC 3195/Australia
☎ +61/3/95 87 20 00 ☎ +61/3/95 80 91 20

www.wagner-group.com

Free Manuals Download Website

<http://myh66.com>

<http://usermanuals.us>

<http://www.somanuals.com>

<http://www.4manuals.cc>

<http://www.manual-lib.com>

<http://www.404manual.com>

<http://www.luxmanual.com>

<http://aubethermostatmanual.com>

Golf course search by state

<http://golfingnear.com>

Email search by domain

<http://emailbydomain.com>

Auto manuals search

<http://auto.somanuals.com>

TV manuals search

<http://tv.somanuals.com>