

WAGNER®

MODELS 9140, 9140S, 9150, 9170, 9190 AND 9210 HIGH PERFORMANCE AIRLESS SPRAYER

OWNER'S MANUAL • READ THIS MANUAL FOR COMPLETE INSTRUCTIONS

This pump is available in two models: a stand model and a cart model. The cart model is shown in this manual. All information given for the cart model applies to the stand model except where indicated.

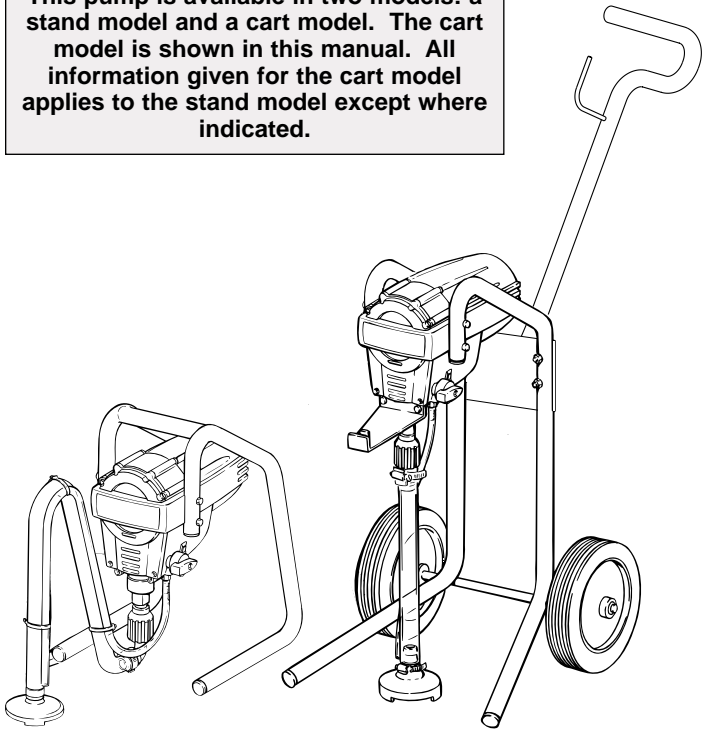


TABLE OF CONTENTS:

SAFETY	2-3
COMPONENTS AND DESCRIPTION	4
SETUP	5
PLUGGING IN THE SPRAYER	6
PRESSURE RELIEF PROCEDURE	6
PURGING AND PRIMING	7
SPRAYING	8
SPRAYING TROUBLESHOOTING	9
CLEANUP	10-11
STORAGE	12
MAINTENANCE	13
ACCESSORIES	13
FLUID SECTION	14
TROUBLESHOOTING	15
PARTS LIST	48-51
WARRANTY	52

Need help? Call us first for answers fast.

Call Wagner Spray Tech toll-free if you have any comments or problems with this product.



1-800-880-0993

Wagner Technical Service

Visit us on the world wide web!

<http://www.wagnerspraytech.com>

1770 Fernbrook Lane, Minneapolis, MN 55447

SPECIFICATIONS:

Weight	25 lbs (9140S) 31 lbs (9140, 9150) 36 lbs (9170, 9190) 40 lbs (9210)	Generator	15 amp A/C
Capacity	Up to .25 gallon (1 liter) per minute (9140, 9140S, 9150) Up to .33 gallon (1.25 liter) per minute (9170) Up to .42 gallon (1.6 liter) per minute (9190) Up to .45 gallon (1.71 liter) per minute (9210)	Spraying pressure	Up to 2800 PSI
Power source	1/2 Hp universal motor (9140, 9140S, 9150) 5/8 Hp permanent magnet DC motor (9170) 3/4 Hp permanent magnet DC motor (9190) 7/8 Hp permanent magnet DC motor (9210)	Safety features	Spray gun trigger lock and guard; built-in tip safety guard; priming knob for safe pressure release.
Power requirement	15 amp minimum circuit on 115 VAC, 60 Hz current	Capability	Sprays a variety of paints, oil base, latex, primers, stains, preservatives and other nonabrasive materials. Do not use materials with flash points below 70°F (21°C).

This pump should not be used with textured materials, block filler, or asphalt sealer.

0803 • Form No. 0512731G



SAFETY INFORMATION • READ ALL SAFETY INFORMATION BEFORE OPERATING THE EQUIPMENT



HAZARD: INJECTION INJURY

A high pressure paint stream produced by this equipment can pierce the skin and underlying tissues, leading to serious injury and possible amputation. SEE A PHYSICIAN IMMEDIATELY.



DO NOT TREAT AN INJECTION INJURY AS A SIMPLE CUT! Injection can lead to amputation. See a physician immediately.

The maximum operating range of the gun is 2800 PSI/193BAR fluid pressure.

PREVENTION:

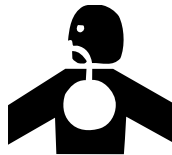
- NEVER aim the gun at any part of the body.
- NEVER allow any part of the body to touch the fluid stream. DO NOT allow body to touch a leak in the fluid hose.
- NEVER put your hand in front of the gun. Gloves will not provide protection against an injection injury.
- ALWAYS lock the gun trigger, shut the pump off, and release all pressure before servicing, cleaning the tip or guard, changing tip, or leaving unattended. Pressure will not be released by turning off the motor. The PRIME/SPRAY knob must be turned to PRIME to relieve the pressure. Refer to the PRESSURE RELIEF PROCEDURE (page 6) described in the pump manual.
- ALWAYS keep the tip guard in place while spraying. The tip guard provides some protection but is mainly a warning device.
- ALWAYS remove the spray tip before flushing or cleaning the system.
- Paint hose can develop leaks from wear, kinking and abuse. A leak can inject material into the skin. Inspect the hose before each use.
- NEVER use a spray gun without a working trigger lock and trigger guard in place.
- All accessories must be rated at or above 2800 PSI/193 BAR. This includes spray tips, guns, extensions, and hose.

NOTE TO PHYSICIAN:

Injection into the skin is a traumatic injury. It is important to treat the injury as soon as possible. DO NOT delay treatment to research toxicity. Toxicity is a concern with some coatings injected directly into the blood stream. Consultation with a plastic surgeon or reconstructive hand surgeon may be advisable.

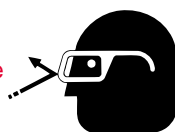
HAZARD: HAZARDOUS VAPORS

Paints, solvents, insecticides, and other materials can be harmful if inhaled or come in contact with the body. Vapors can cause severe nausea, fainting, or poisoning.



PREVENTION:

- Use a respirator or mask if vapors can be inhaled. Read all instructions supplied with the mask to be sure it will provide the necessary protection.
- Wear protective eyewear.
- Wear protective clothing as required by coating manufacturer.



HAZARD: EXPLOSION OR FIRE

Solvent and paint fumes can explode or ignite. Property damage and/or severe injury can occur.



PREVENTION:

- Provide extensive exhaust and fresh air introduction to keep the air within the spray area free from accumulation of flammable vapors.
- Avoid all ignition sources such as static electric sparks, open flames, pilot lights, electrical appliances, and hot objects. Connecting or disconnecting power cords or working light switches can make sparks.
- Do not smoke in spray area.
- Fire extinguisher must be present and in good working order.
- Place paint pump at least 20 feet from the spray object in a well ventilated area (add more hose if necessary). Flammable vapors are often heavier than air. Floor area must be extremely well ventilated. The paint pump contains arcing parts that emit sparks and can ignite vapors.
- The equipment and objects in and around the spray area must be properly grounded to prevent static sparks.
- Use only conductive or grounded high pressure fluid hose. Gun must be grounded through hose connections.
- Power cord must be connected to a grounded circuit.
- Always flush unit into a separate metal container, at low pump pressure, with spray tip removed. Hold gun firmly against side of container to ground container and prevent static sparks.
- Follow the material and solvent manufacturer's warnings and instructions.
- Use extreme caution when using materials with a flashpoint below 70° F (21° C). Flashpoint is the temperature that a fluid can produce enough vapors to ignite.
- Plastic can cause static sparks. Never hang plastic to enclose a spray area. Do not use plastic drop cloths when spraying flammable materials.
- Use lowest possible pressure to flush equipment.



GAS ENGINE (WHERE APPLICABLE)

Always place pump outside of structure in fresh air. Keep all solvents away from the engine exhaust. Never fill fuel tank with a running or hot engine. Hot surface can ignite spilled fuel. Always attach ground wire from pump unit to a grounded object, such as a metal water pipe. Refer to engine owner's manual for complete safety information.

HAZARD: EXPLOSION HAZARD DUE TO INCOMPATIBLE MATERIALS

Will cause property damage or severe injury.

PREVENTION:

- Do not use materials containing bleach or chlorine.
- Do not use halogenated hydrocarbon solvents such as bleach, mildewcide, methylene chloride and 1,1,1 - trichloroethane. They are not compatible with aluminum.
- Contact your coating supplier about the compatibility of material with aluminum.





SAFETY INFORMATION • READ ALL SAFETY INFORMATION BEFORE OPERATING THE EQUIPMENT



HAZARD: GENERAL

Can cause severe injury or property damage.

PREVENTION:

- Read all instructions and safety precautions before operating equipment.
- Follow all appropriate local, state, and national codes governing ventilation, fire prevention, and operation.
- The United States Government Safety Standards have been adopted under the Occupational Safety and Health Act (OSHA). These standards, particularly part 1910 of the General Standards and part 1926 of the Construction Standards should be consulted.
- Use only manufacturer authorized parts. User assumes all risks and liabilities when using parts that do not meet the minimum specifications and safety requirements of the pump manufacturer.
- Before each use, check all hoses for cuts, leaks, abrasion or bulging of cover. Check for damage or movement of couplings. Immediately replace the hose if any of these conditions exist. Never repair a paint hose. Replace it with another grounded high-pressure hose.
- All hoses, swivels, guns, and accessories must be pressure rated at or above 2800PSI/193 BAR.
- Do not spray outdoors on windy days.
- Wear clothing to keep paint off skin and hair.

IMPORTANT ELECTRICAL INFORMATION

CAUTION

Use only a 3-wire extension cord that has a 3-blade grounding plug and a 3-slot receptacle that will accept the plug on the product. Make sure your extension cord is in good condition. When using an extension cord, be sure to use one heavy enough to carry the current your product will draw. An undersized cord will cause a drop in line voltage resulting in loss of power and overheating. A 14 or 12 gauge cord is recommended. If an extension cord is to be used outdoors, it must be marked with the suffix W-A after the cord type designation. For example, a designation of SJTW-A would indicate that the cord would be appropriate for outdoor use.

Do not use more than 100 feet of hose. If you need to paint further than 100 feet from your power source, use more extension cord, not more paint hose.

CAUTION

THE 9140, 9140S AND 9150 SERIES UNITS ARE PROVIDED WITH A NON-RESETTABLE THERMAL OVERLOAD. THE 9170, 9190 AND 9210 SERIES UNITS ARE PROVIDED WITH A REPLACEABLE FUSE.

- Always disconnect the motor from the power supply before working on the equipment.

The cause of the overload should be corrected before restarting. Take to Service Center.

GROUNDING INSTRUCTIONS

This product must be grounded. In the event of an electrical short circuit, grounding reduces the risk of electric shock by providing an escape wire for the electric current. This product is equipped with a cord having a grounding wire with an appropriate grounding plug. The plug must be plugged into an outlet that is properly installed and grounded in accordance with all local codes and ordinances.

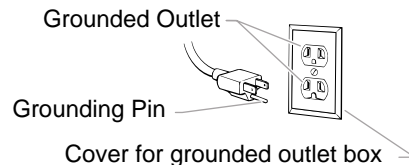
WARNING

Improper installation of the grounding plug can result in a risk of electric shock.



If repair or replacement of the cord or plug is necessary, do not connect the green grounding wire to either flat blade terminal. The wire with insulation having a green outer surface with or without yellow stripes is the grounding wire and must be connected to the grounding pin.

Check with a qualified electrician or serviceman if the grounding instructions are not completely understood, or if you are in doubt as to whether the product is properly grounded. Do not modify the plug provided. If the plug will not fit the outlet, have the proper outlet installed by a qualified electrician. This product is for use on a nominal 120 volt circuit and has a grounding plug that looks like the plug illustrated below. Make sure that the product is connected to an outlet having the same configuration as the plug. No adapter should be used with this product.



IF YOU EXPERIENCE PROBLEMS WITH YOUR SPRAYER AT ANY TIME DURING ASSEMBLY, OPERATION OR CLEANUP, PLEASE REFER TO THE TROUBLESHOOTING SECTION OF THIS MANUAL (PAGE 15), OR CALL CUSTOMER SERVICE AT:

1-800-880-0993

COMPONENTS AND DESCRIPTION

COMPONENTS

The shipping carton for your painting system contains the following:

- Suction set and return tube
- Spray gun with filter
- Spray tip assembly (see chart below)
- 25 foot long, 1/4 inch diameter pressure hose (9140, 9140S, 9150)
- 50 foot long, 1/4 inch diameter pressure hose (9170, 9190, 9210)
- Separating Oil

CONTROLS AND FUNCTIONS

ON/OFF Switch The ON/OFF switch turns the unit on and off (O=OFF, I=ON).

Suction Set Fluid is drawn through the suction set into the pump.

Fluid Section A piston in the fluid section moves up and down to create the suction that draws fluid through the suction set.

Spray Gun The spray gun controls the delivery of the fluid being pumped. The gun model you have depends on your

sprayer model (refer to Spray Gun/Tip Chart, below).

Spray Hose The spray hose connects the gun to the pump.

Return Tube Fluid is sent back out through the return tube to the original container.

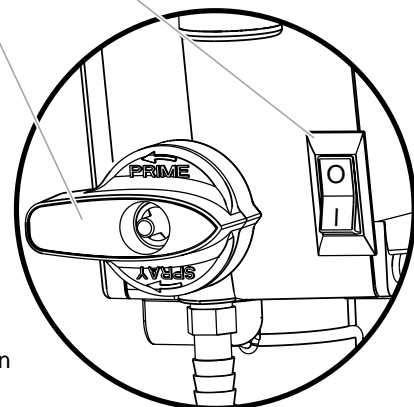
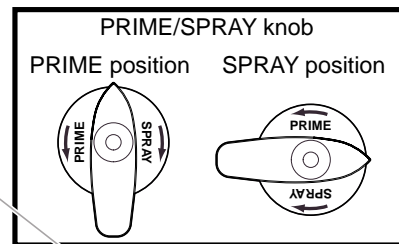
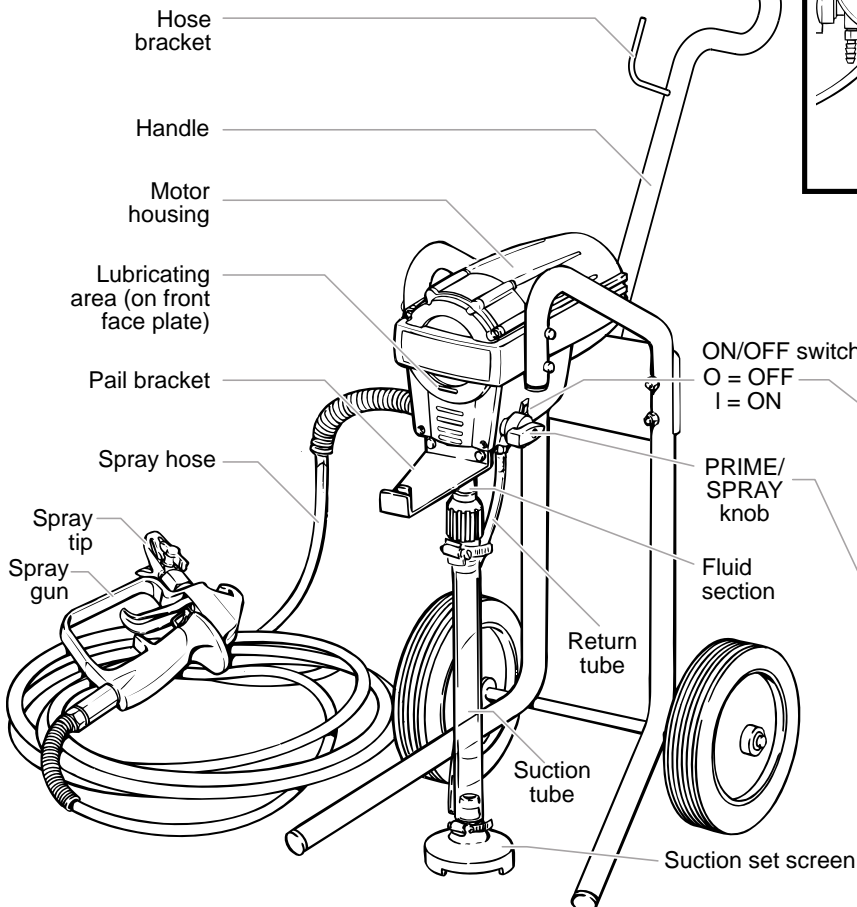
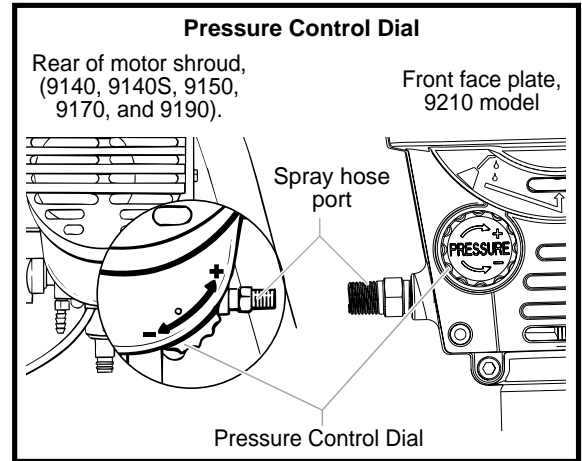
PRIME/SPRAY Knob The PRIME/SPRAY knob directs fluid to the spray hose when set to SPRAY or the return tube when set to PRIME. The arrows on the PRIME/SPRAY knob shows the rotation directions for PRIME and SPRAY.

The PRIME/SPRAY knob is also used to relieve pressure built up in the spray hose (**Pressure Relief Procedure, page 6**)

Pressure Control Dial The pressure control dial controls the amount of force the pump uses to push the fluid (see graphic below for locations).

Spray Gun/Tip Chart

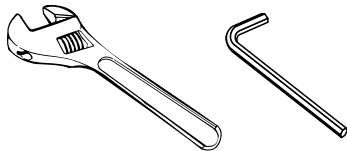
Sprayer Model	Gun Model	Tip Size	Max. Size	Recommended Filter
9140/S	GX-06	.013	.015	Yellow (fine)
9150	GX-07	.013	.015	Yellow (fine)
9170	GX-07	.015	.017	Yellow (fine)
9190	GX-08	.017	.019	White (medium)
9210	GX-10	.017	.021	White (medium)



SETUP--ASSEMBLING THE SPRAYER

TOOLS NEEDED FOR SETUP

- Two adjustable wrenches
- 3/16" allen wrench
- Extension cord (refer to **Important Electrical Information** (page 3)).

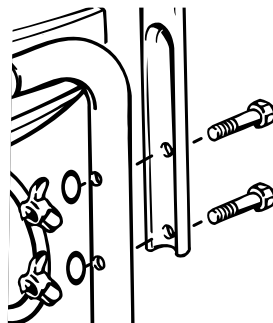


⚠WARNING

Do not plug in the unit until setup is complete.

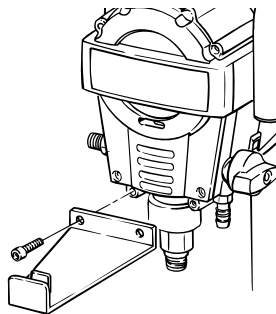
ATTACHING THE HANDLE (CART MODELS)

1. Position the handle against the cart so that the holes in the handle line up with the holes in the cart.
2. Insert the bolts through the holes in the handle and cart and locking washers.
3. Tighten the wing nuts onto the bolts by hand.



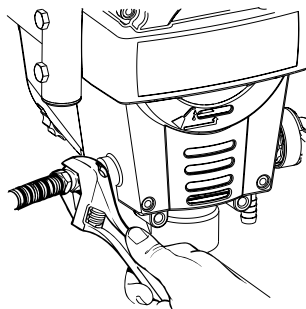
ATTACHING THE PAIL BRACKET (CART MODELS)

1. Position the pail bracket against the unit so that the holes in the unit line up with the holes in the bracket.
2. Insert the bolts through the holes in the bracket and the unit.
3. Tighten the bolts with a 3/16" allen wrench.



ATTACHING THE PAINT HOSE

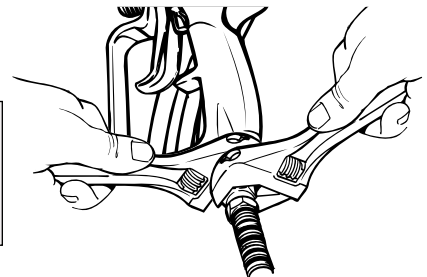
1. Thread the high pressure hose to the paint hose port.
2. Tighten with an adjustable wrench.
3. Remove pusher stem from inlet valve.



ATTACHING THE SPRAY GUN

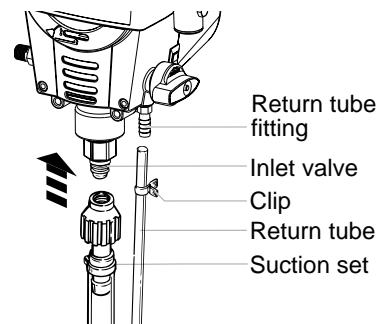
1. Thread spray gun onto the other end of the hose.

Hold the gun with one adjustable wrench, and tighten with the other.



ATTACHING THE SUCTION SET & RETURN TUBE

1. Attach the suction tube to the inlet valve and tighten firmly by hand. Be sure that the threads are straight so that the fitting turns freely.
2. Press the return tube onto the return tube fitting.
3. Squeeze clip over the return tube fitting to secure return tube.



LOCKING AND UNLOCKING THE SPRAY GUN

⚠WARNING



Always lock the trigger off when attaching the spray tip or when the spray gun is not in use. Refer to Spray Gun/Tip Chart on page 4 to determine the gun model you have.

GUN MODELS GX-06 AND GX-07

The gun is secured when the trigger lock is at a 90° angle (perpendicular) to the trigger in either direction.



Gun locked
(gun will not spray)

GX-08/10



Gun locked
(gun will not spray)

GUN MODELS GX-08 AND GX-10

To lock the gun, turn the trigger lock forward and slightly down until it stops.

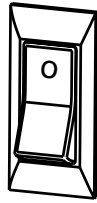
The spray tip SHOULD NOT be attached until after the sprayer and paint hose have been purged and primed.

BEFORE YOU BEGIN

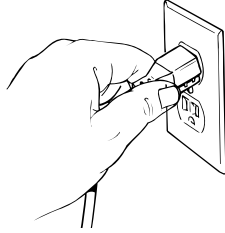
This column contains instructions that will be repeated throughout this manual.

PLUGGING IN THE SPRAYER

1. Check that the ON/OFF switch is in the OFF position.



2. Plug the sprayer into a heavy duty grounded extension cord. Refer to **Important Electrical Information**, page 3).

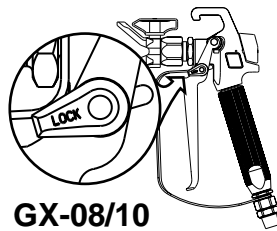


PRESSURE RELIEF PROCEDURE

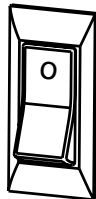
⚠ WARNING

Be sure to follow the pressure relief procedure (page 6) when shutting the unit off FOR ANY PURPOSE. This procedure is used to relieve pressure from the spray hose.

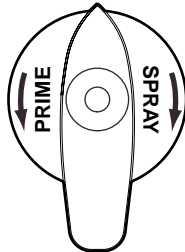
1. Lock the spray gun off.



2. Flip the ON/OFF switch to the OFF (O) position.



3. Unlock the spray gun, turn the PRIME/SPRAY knob to PRIME, and trigger spray gun into paint bucket.



4. Lock the spray gun.

PAINT STRAINING

It is recommended that in order to avoid premature tip and gun clogging you should strain your paint before spraying. Follow manufacturer's recommendations.

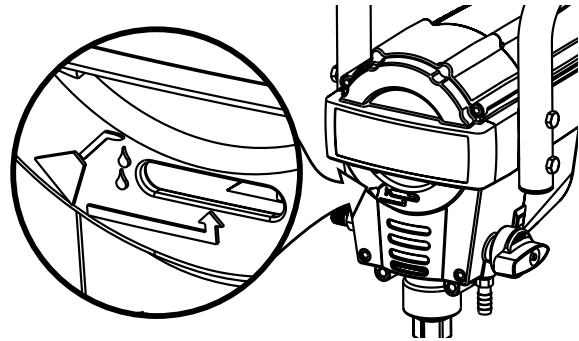
CHOOSING THE CORRECT SPRAY GUN FILTER

Use the proper gun filter based on the tip size being used.

Part No.	Tip Size	Filter Type	Mesh Number	Color of Filter Body	Qty.
0154918	.011	Extrafine	180 mesh 0.084 mm	red	2 pack
0154675	.013 - .015	Fine	100 mesh 0.140 mm	yellow	2 pack
0154842	.017 - .023	Medium	50 mesh 0.315 mm	white	2 pack

BEFORE YOU PRIME THE SPRAYER

Before priming, squirt a teaspoon of separating oil (P/N 0154908 included with unit) into the indicated area. Light household oil can be substituted if necessary. Do not put more than a teaspoon into the lubricating area. Too much oil will leak down into your paint.



IF YOUR UNIT IS NEW. . .

All units are performance-tested at the factory and are shipped with test fluid in the fluid section to prevent corrosion during shipment and storage.

- Whether you are going to spray **latex or oil-based paints**, this fluid must be purged and thoroughly cleaned out of the system (follow **Purging and Priming the Pump** steps, page 7).

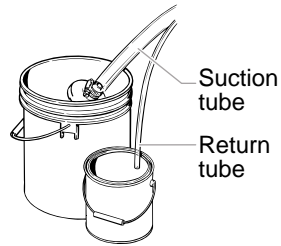
IF YOUR UNIT HAS ALREADY BEEN USED. . .

If the pump has already been used you will need to purge the water or solvent used in cleanup and storage.

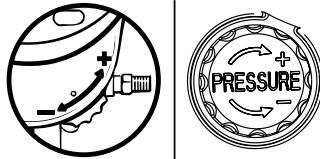
PURGING & PRIMING

PURGING AND PRIMING THE PUMP

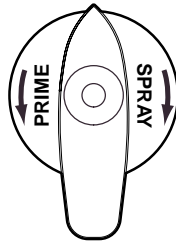
1. Place a full container of paint underneath the suction tube.
2. Secure the return tube into a waste container.



3. Turn the pressure control dial to maximum pressure (+).



4. Turn the PRIME/SPRAY knob to PRIME.

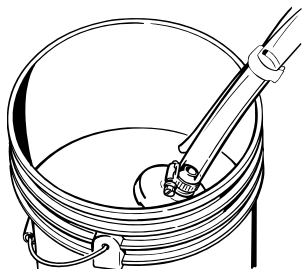


5. Plug in the sprayer, and move the ON/OFF switch to the ON position.



The unit will begin to draw paint up the suction tube, into the pump, and out the return tube. Let the unit cycle long enough to remove test fluid from the pump, or until paint is coming from the return tube.

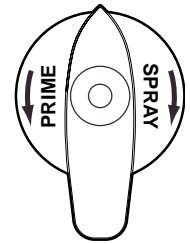
6. Switch the pump to OFF (O).
7. Remove the return tube from the waste container and place it in its operating position above the container of paint. Use the metal clip to bind the two hoses together.



Your sprayer is now purged. Move to **Purging and Priming the Spray Hose**.

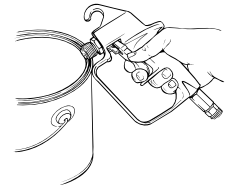
PURGING AND PRIMING THE SPRAY HOSE

1. Unlock the spray gun and turn PRIME/SPRAY knob to PRIME.

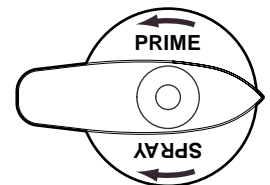


Your spray tip **SHOULD NOT** be attached to your spray gun when purging your spray hose.

2. Trigger and **HOLD** the spray gun into a waste container.
3. While holding the trigger, switch the pump ON (I).



4. While holding the trigger, turn the PRIME/SPRAY knob to SPRAY. Hold the trigger until all air, water, or solvent is purged from the spray hose and paint is flowing freely (read warnings below).



WARNING

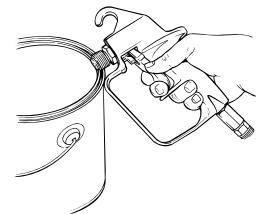


Keep hands clear from fluid stream.

WARNING

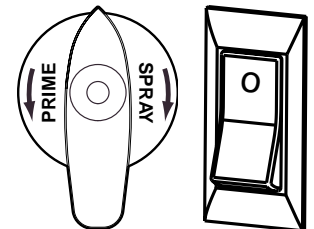


Using a metal container, ground the gun by holding it against the edge of the container while flushing. Failure to do so may lead to a static electric discharge which may cause a fire.

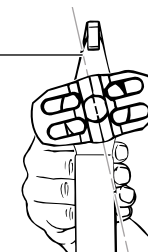


If the PRIME/SPRAY knob is still on SPRAY, there will be high pressure in the hose and spray gun until the PRIME/SPRAY knob is turned to PRIME.

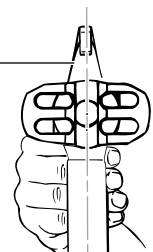
5. Release trigger, turn the PRIME/SPRAY knob to PRIME and turn pump OFF (O).
6. Trigger the gun into the waste container once more to be sure that no pressure is left in the hose.
7. Lock the spray gun off.
8. Thread the spray tip guard assembly onto the gun. Tighten by hand.



Begin tightening the tip at this angle



to achieve the desired spray angle when tight.



Your hose is now purged and primed. You are ready to paint.

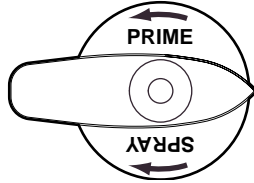
SPRAYING

PRACTICE

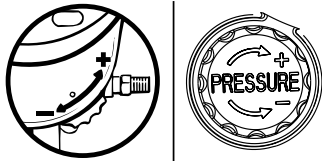
CAUTION

Be sure that the paint hose is free of kinks and clear of objects with sharp cutting edges.

1. Switch the pump ON (I) and turn the PRIME/SPRAY knob to SPRAY.



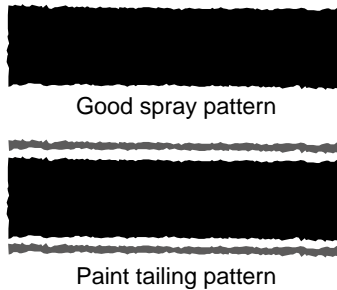
2. Turn the pressure control dial to its highest setting (+). The spray hose should stiffen as paint begins to flow through it.



3. When the motor shuts off, unlock the spray gun and spray a test area to check the spray pattern.

When enough pressure has built up in the hose, the motor will shut off automatically. The motor will cycle on and off automatically as it needs pressure.

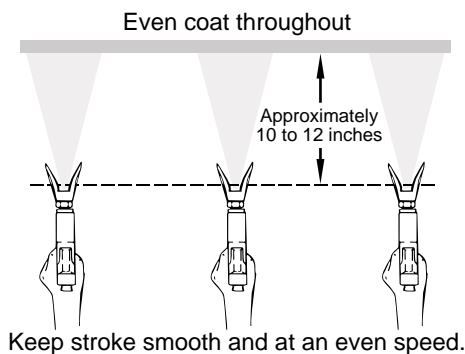
The pressure control dial can be adjusted up or down to achieve the desired spray pattern.



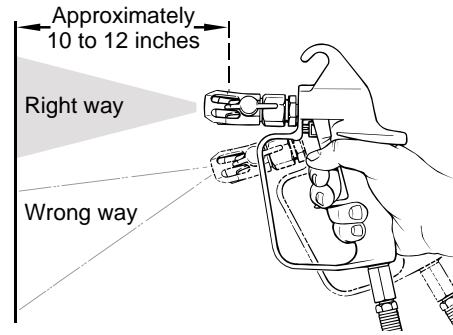
SPRAYING TECHNIQUE

The key to a good paint job is an even coating over the entire surface. This is done by using even strokes. Follow the TIPS, below.

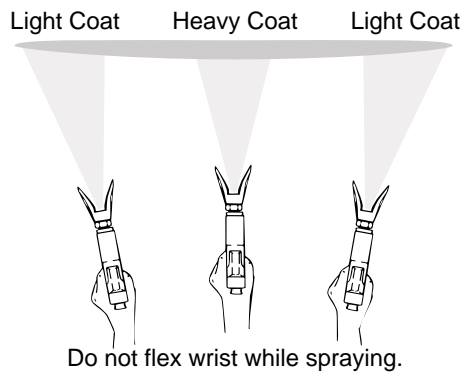
- TIP:** Keep your arm moving at a constant speed and keep the spray gun at a constant distance from the surface. The best spraying distance is 10 to 12 inches between the spray tip and the surface.



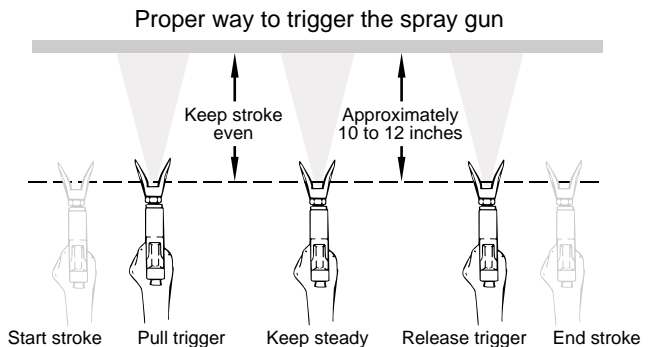
- TIP:** Keep the spray gun perpendicular to the surface, otherwise one end of the pattern will be thicker than the other.



- TIP:** Keep the spray gun at right angles to the surface. This means moving your entire arm back and forth rather than just flexing your wrist.



- TIP:** The spray gun should be triggered by turning it on and off with each stroke. Do not trigger the gun during the middle of a stroke. This will result in an uneven spray and splotchy coverage.



ADDITIONAL TIPS

Overlap each stroke by about 30%. This will ensure an even coating.

When you stop painting, follow PRESSURE RELIEF PROCEDURE.

IF YOU EXPECT TO BE AWAY FROM YOUR SPRAYER FOR MORE THAN ONE HOUR, FOLLOW THE SHORT-TERM CLEANUP PROCEDURE DESCRIBED IN THE STORAGE SECTION OF THIS MANUAL (page 12).

SPRAYING TROUBLESHOOTING

The following is a short list of minor difficulties you might encounter while spraying. If any of these occur, it will reduce the flow of paint, making your spray pattern poor, or paint will fail to spray from the gun.

- Clogged spray tip
- Clogged gun filter
- Clogged suction set screen

Follow the guidelines on this page to correct any one of these problems.

UNCLOGGING THE SPRAY TIP



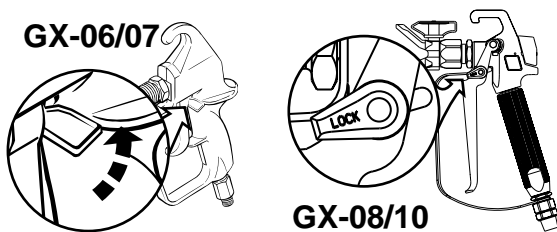
Do not attempt to unclog or clean the tip with your finger.



Do not use a needle or other sharp pointed instrument to clean the tip. The hard tungsten carbide can chip.

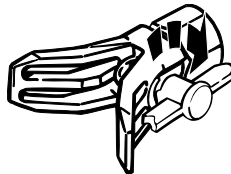
If the spray pattern becomes distorted or stops completely while the gun is triggered, follow these steps:

1. Release the trigger and lock the gun off.



2. Rotate the reversible tip arrow 180° so that the point of the arrow is toward the rear of the gun (CLEAN position).

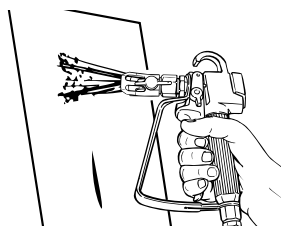
Under pressure, the spray tip may be very difficult to turn. Turn the PRIME/SPRAY knob to PRIME and trigger the gun. This will relieve pressure and the tip will turn more easily.



3. Turn the PRIME/SPRAY knob to SPRAY.

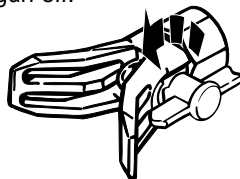
4. Unlock the gun and squeeze the trigger, pointing the gun at a scrap piece of wood or cardboard. This allows pressure in the spray hose to blow out the obstruction.

When the nozzle is clean, paint will come out in a straight, high pressure stream.



If paint still will not spray from the spray tip, follow the other steps on the next column.

5. Release the trigger and lock the gun off.
6. Reverse the tip so the arrow points forward again (SPRAY position).
7. Unlock the gun and resume spraying.

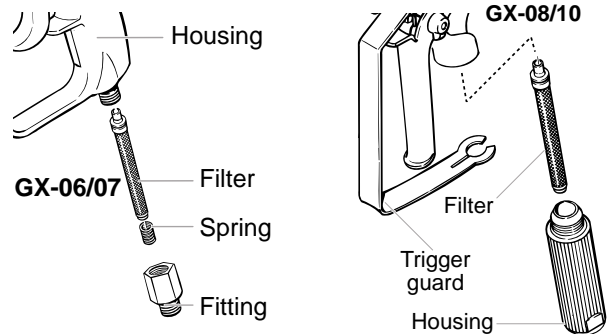
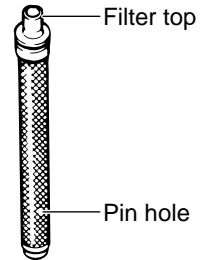


CLEANING THE SPRAY GUN FILTER

This filter must be cleaned every time you use your sprayer.

When using thicker paints, the filter might need to be cleaned more often.

1. Perform **Pressure Relief Procedure** (page 6).
- 2a. **If you have a model GX-06/07 spray gun**, unscrew the fitting from the bottom of the spray gun using an adjustable wrench, making sure not to lose the spring.
- 2b. **If you have a model GX-08/10 spray gun**, unclip the trigger guard from the filter housing by pulling outward from the filter housing. Unscrew the housing.



3. Remove filter from spray gun housing and clean with the appropriate cleaning solution (warm, soapy water for latex paints, mineral spirits for oil-based materials).
4. Inspect the filter for holes (see Hole picture, above). Replace if holes are found.



NEVER POKE THE FILTER WITH A SHARP INSTRUMENT!

5. Replace the cleaned filter, tapered end first, into the gun housing.

The tapered end of the filter must be loaded properly into the gun. Improper assembly will result in a plugged tip or no flow from the gun.

- 6a. **For the GX-06/07**, replace the spring and the fitting. Tighten with an adjustable wrench.
- 6b. **For the GX-08/10**, replace the housing and snap the trigger guard back into the housing.

CLEANING THE SUCTION SET SCREEN

The screen at the bottom of the suction set may also need cleaning. Check it every time you change paint buckets.

1. Remove the screen by pulling it out of the retainer with a plier.
2. Clean the screen with the appropriate cleaning solution (warm, soapy water for latex paints, mineral spirits for oil-based paints).



If after having completed all of the steps on this page you are still experiencing problems spraying, refer to the TROUBLESHOOTING guide (page 15).

CLEANUP

IMPORTANT CLEANING NOTES!

READ THESE NOTES AND WARNINGS BEFORE YOU START TO CLEAN YOUR SPRAYER!

- When using latex paints, clean your sprayer and components using warm, soapy water. When using oil-based paints, use mineral spirits.
- Do not use mineral spirits on latex paint, or the mixture will turn into a jelly-like substance which is difficult to remove.
- No matter which cleaning solution you use, make sure to dispose of it properly when finished cleaning your sprayer.
- Thorough cleaning and lubrication of the sprayer is the most important step you can take to ensure proper operation after storage.

CALL **1-800-880-0993**
IF YOU HAVE ANY QUESTIONS
REGARDING THE CLEANUP OF
YOUR SPRAYER

⚠ WARNING



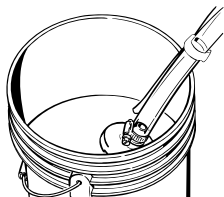
Special cleanup instructions for use with flammable solvents:

- **ALWAYS FLUSH SPRAY GUN AT LEAST ONE HOSE LENGTH AWAY FROM SPRAY PUMP.**
- **If collecting flushed solvents in one gallon metal container, place it into an empty five gallon container, then flush.**
- **Area must be free from vapors.**
- **Follow all cleanup instructions.**

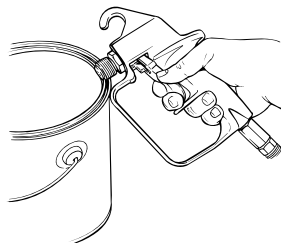
PURGING THE PAINT HOSE

These steps will allow you to recover excess paint left over in the paint hose.

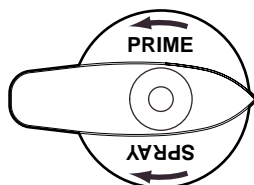
1. Lock the gun and remove spray tip assembly.
2. Submerge suction set into a bucket with appropriate cleaning solution.



3. Hold the spray gun against the side of the paint can and hold the trigger.

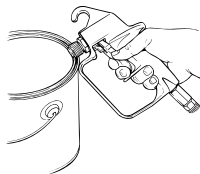


4. While holding the trigger, turn the pump ON (I), and turn the PRIME/SPRAY knob to SPRAY.



Let the pump run until all paint is purged from the hose and cleaning solution is coming out of the gun.

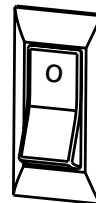
5. Release the trigger.
6. Hold the spray gun against the side of a separate container and hold the trigger.



7. Trigger the gun until the fluid coming out of the gun is clear.
8. Turn the PRIME/SPRAY knob to PRIME and trigger gun once more to relieve pressure.
9. Move on to **Cleaning the Suction Set**.

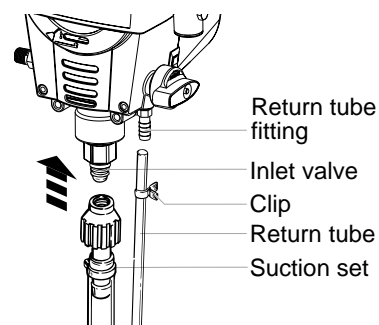
CLEANING THE SUCTION SET

1. Lock the gun and turn the pump OFF (O).
2. Remove the suction hose and return tube and clean it using the appropriate cleaning solution.

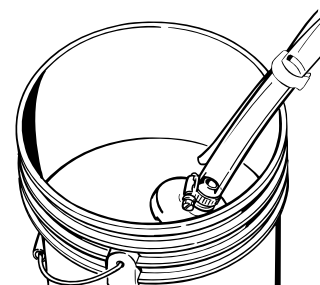


You should also wipe the threads of the inlet valve, and remove and clean the suction set screen.

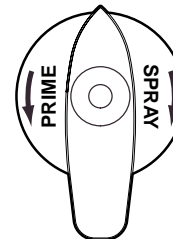
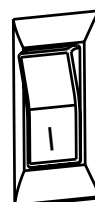
3. When suction set is clean, thread the suction tube back onto the inlet valve, and replace the return tube onto the return tube fitting. Replace clip.



4. Submerge the suction set into a bucket of **NEW** cleaning solution.



5. Turn the PRIME/SPRAY knob to PRIME, turn the pump to ON (I), and trigger the gun into a waste container to relieve the pressure.

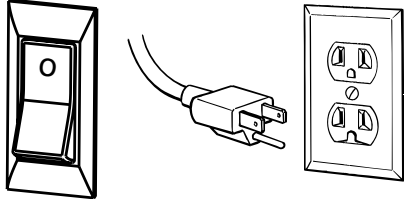


6. Let the pump circulate the cleaning solution through the suction set for 2-3 minutes.
7. Turn the pump OFF (O).
8. Move on to **Cleaning the Spray Gun**, next page.

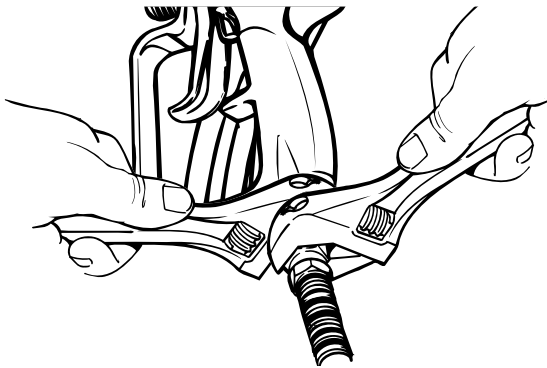
CLEANUP (CONTINUED)

CLEANING THE SPRAY GUN FILTER AND TIP ASSEMBLY

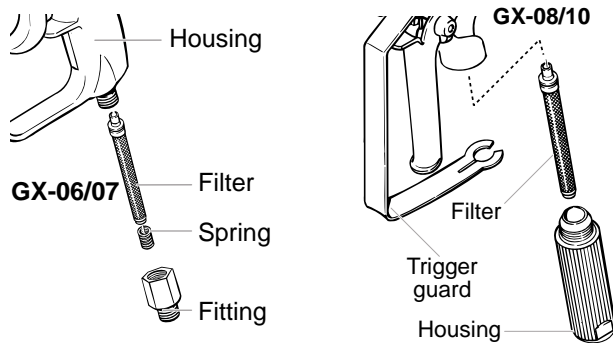
1. Make sure the pump is switched OFF (O), the PRIME/SPRAY knob is turned to PRIME, and unplug the sprayer.



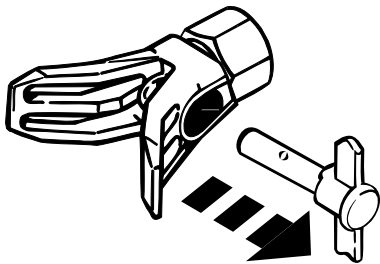
2. Remove spray gun from the paint hose using adjustable wrenches.



3. Remove filter from spray gun (refer to **Cleaning the Spray Gun Filter**, page 9).

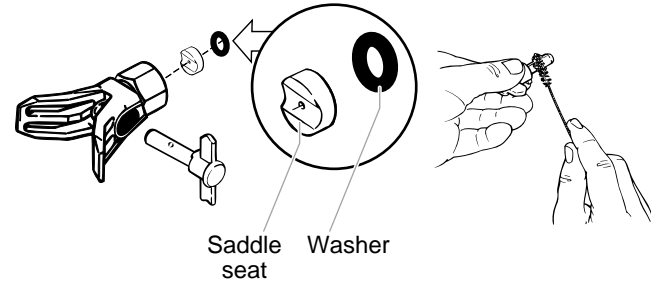


4. Remove spray tip from spray guard assembly.



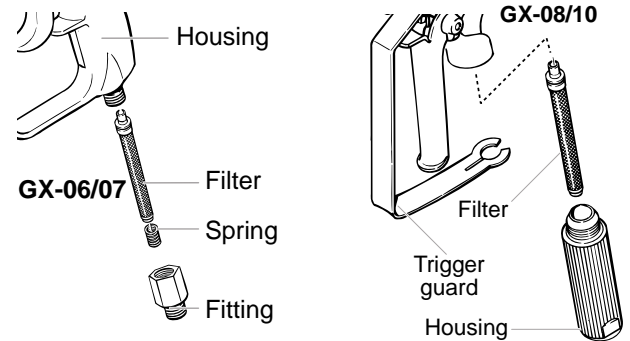
Continue cleaning instructions on next column

5. Clean spray tip and filter with a soft-bristled brush and the appropriate cleaning solution. Be sure to remove and clean the washer and saddle seat located in the rear of the spray tip assembly.

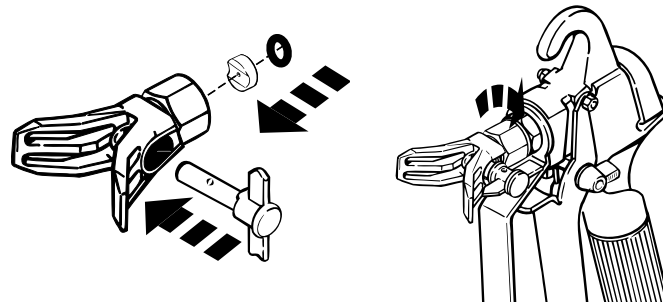


6. Reassemble spray gun:

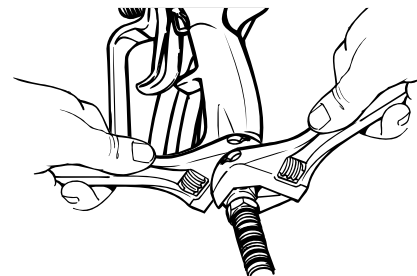
- install gun filter tapered-end first, and



- install spray tip, saddle seat and washer, and replace spray guard assembly.



7. Thread the spray gun back onto the paint hose. Tighten with a wrench.



IMPORTANT!

If you used oil-based paints, you must flush the pump again using warm, soapy water to prepare it for storage. Repeat **Cleaning the Suction Set** instructions.

STORAGE

SHORT-TERM STORAGE (UP TO 16 HOURS)

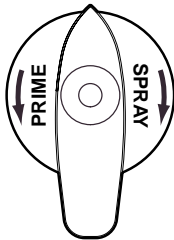
Follow these steps when using latex paints only. If using materials that are oil-based, follow the long-term storage steps.

SHUTDOWN

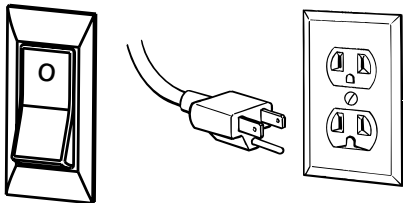
1. Lock the spray gun off.



2. Turn the PRIME/SPRAY knob to PRIME.



3. Switch the pump OFF, and unplug the sprayer.



4. Pour 1/2 cup water slowly on the top of the paint to prevent the paint from drying.
5. Wrap the spray gun assembly in a damp cloth and place it in a plastic bag. Seal the bag shut.
6. Place the sprayer in a safe place out of the sun for short-term storage.

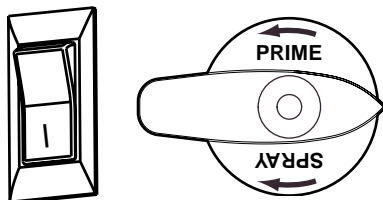
STARTUP

1. Remove the gun from the plastic bag.
2. Stir the water into the paint.
3. Check to be sure that the PRIME/SPRAY knob is set to PRIME.

4. Plug sprayer in and turn the switch to ON.

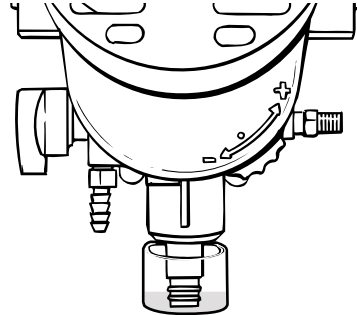
5. Turn the PRIME/SPRAY knob to SPRAY.

6. Test the sprayer on a practice piece and begin spraying.

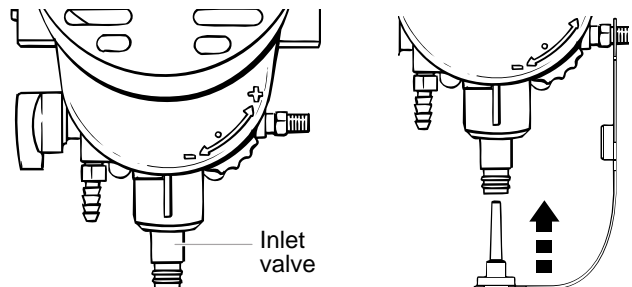


PREPARING THE SPRAYER FOR LONG-TERM STORAGE

1. Fill a cup or other container with separating oil (approximately 2 ounces) supplied with the unit and submerge the inlet valve into the oil.



2. Place a rag over the spray hose port, and turn the switch ON (I).
3. When the oil has been sucked from the cup, switch the pump OFF.
4. Insert the pusher stem into the inlet valve. Make sure the pusher stem is inserted fully.



The pusher stem is designed to do two things:

- It holds the oil in the valve to keep the carbide seat from rusting.
- Secondly, it will keep the ball off of the seat to prevent any paint residue deposits that will cause the ball to stick to the seat. Paint deposits or rust formed on the carbide seat will cause priming and operation problems during repeated uses.

5. Wipe the entire unit, hose and gun with a damp cloth to remove accumulated paint.
6. Replace the high pressure hose to the paint hose port.

MAINTENANCE

DAILY MAINTENANCE

The only daily maintenance necessary is thorough cleaning. Follow the cleaning procedures in this manual.

EXTENDED MAINTENANCE

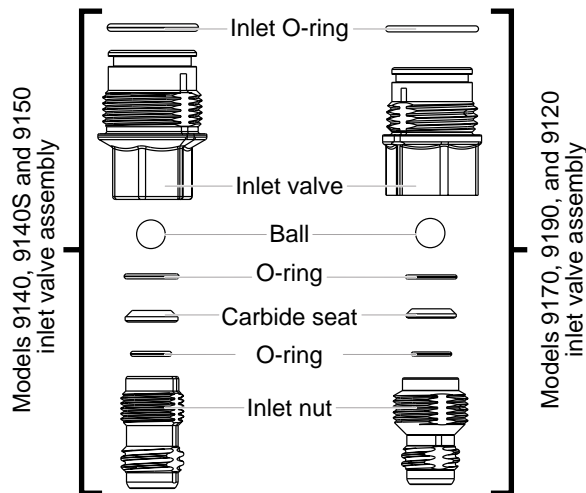
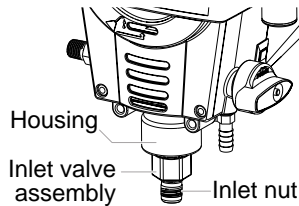
Some pump parts eventually wear out from use and must be replaced. The following list indicates the available repair kits for the parts replaced by each kit. However, pump performance is the only reliable indicator of when to replace wear parts. Refer to the Troubleshooting section for more information on when to use these kits.

Kit Part #	Description
0512228	Fluid Section Seal Kit (9140, 9140S, 9150)
0512222	Valve Replacement Kit (9140, 9140S, 9150)
0512229	Fluid Section Seal Kit (9170, 9190, 9210)
0512224	Valve Replacement Kit (9170, 9190, 9210)

CLEANING THE INLET VALVE

Cleaning or servicing the inlet valve may be required if the unit has priming problems. This may be caused by improper cleaning and/or storage.

1. Unscrew the **inlet valve assembly** from the unit with a crescent wrench.
2. Unscrew the **inlet nut** using a 3/8 inch allen wrench.
3. Remove excess paint or rust from the ball and seat or replace with new parts from kit P/N 0512222 (9140, 9140S, 9150) or P/N 0512224 (9170, 9190, 9210). You may also have to clean excess paint inside the housing.
4. Inspect the **inlet O-ring** on the **inlet valve**. Clean or replace, and lubricate with a light household oil.
4. Reassemble ball, carbide seat, and O-rings in the order shown below into the **inlet valve**.



5. Install **inlet nut** back into inlet valve. Torque to 12 ± 2 ft/lbs if you have torque wrench.
6. Make sure the **inlet valve O-ring** is installed on the **inlet valve**, then install entire **inlet valve assembly** back into unit. Tighten with an adjustable wrench.

ACCESSORIES

Part #	Description
0154908	Separating Oil
0154830	Hose, Whip End, 5' x 3/16"
0270192	Hose, Wireless, 25' x 1/4"
0291000	Hose, Wireless, 50' x 1/4"
0279667	Hose Connector, 1/4" x 1/4"
0088154	Pressure Gauge
0508910	Tip Extension, 12"
0508914	Tip Extension, 24"
0152001	Power Roller Gun Attachment
0155206	9" Roller Cover, 3/8" Nap
0152307	9" Roller Cover, 1/2" Nap
0155208	9" Roller Cover, 3/4" Nap
0152310	9" Roller Cover, 1-1/4" Nap
0512181	GX-08 Four Finger Metal Airless Spray Gun
0512180	GX-07 Two Finger Metal Airless Spray Gun
0512179	GX-06 Two Finger Plastic Airless Spray Gun
0512182	GX-10 Two Finger Metal Airless Spray Gun w/Swivel
0501010	Guard Assembly, F-Thread
0512508	Guard Assembly, G-Thread
0279974	3 Foot Pole Extension w/Swivel
0279976	6 Foot Pole Extension w/Swivel
0512134	180 Degree Swivel
0508931	F- to G-Thread Adapter
0154832	Suction Set Filter (2 Pack)
0512500	411 Trade Spray Tip
0512501	413 Trade Spray Tip
0512502	415 Trade Spray Tip
0512503	417 Trade Spray Tip
0501419	419 Trade Spray Tip
0512504	515 Trade Spray Tip
0512505	517 Trade Spray Tip
0512506	519 Trade Spray Tip
0093930	Anti-Seize Compound
0156113	TR-10 Telescoping Roller, 9", 3/8" Nap
0089959	Yellow Gun Filter
0089958	White Gun Filter
0279109	Pump Saver Plus Protector

FLUID SECTION SEAL REPLACEMENT INSTRUCTIONS

KIT 0512228 (MODELS 9140, 9140S, AND 9150)

KIT 0512229 (MODELS 9170, 9190, AND 9210)



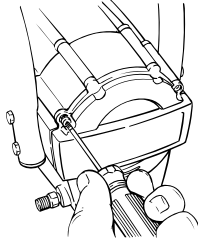
WARNING



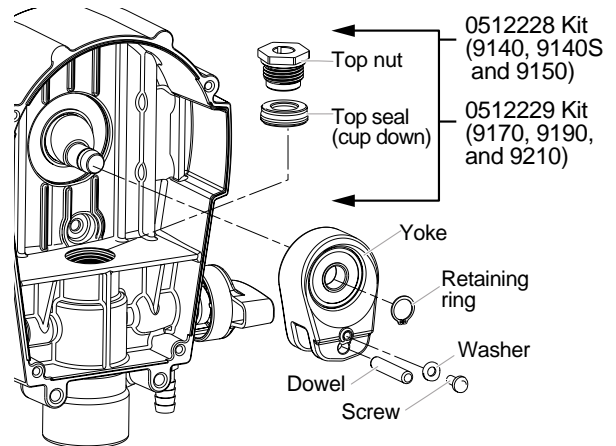
Always wear protective eye wear while servicing the pump. Be sure to follow the **PRESSURE RELIEF PROCEDURE** (page 6) when shutting the unit down for any purpose, including servicing or adjusting. After performing the pressure relief procedure, be sure to unplug the unit before servicing or adjusting. Area must be free of solvents and paint fumes.

DISASSEMBLY OF THE FLUID SECTION

1. Remove the suction set.
2. Remove the front cover and the four screws that secure it using a T20 Torx head driver.
3. Remove the yoke screw and washer that secures the dowel pin. The dowel pin connects the yoke to the piston.
4. Using the pliers, pull the dowel pin out.
- 5a. **For models 9140, 9140S, and 9150**, rotate the pump shaft so the piston is in the top dead center position. This can be done by pushing on the yoke. This is required to disassemble all the parts.
- 5b. **For models 9170, 9190, and 9210**, inspect the yoke assembly and piston. In order to remove all the necessary parts, the piston must not be in the bottom dead center position. If the piston is at the bottom of the stroke, install the front cover and screws, turn the pump on briefly to index the piston, unplug the unit, and repeat step 2.
6. Unscrew and remove the inlet valve assembly using an adjustable wrench.
7. Remove the piston assembly by pushing down on the piston near the yoke.
8. Unscrew and remove the top nut using an adjustable wrench.
9. Remove the worn seals using a flat head screwdriver or punch. Remove the top seal from the top and the bottom seal from the bottom by pressing against the side of the seal and popping it out. Be sure not to scratch the housing where the seals are located.
10. Clean the area where the new seals are to be installed.

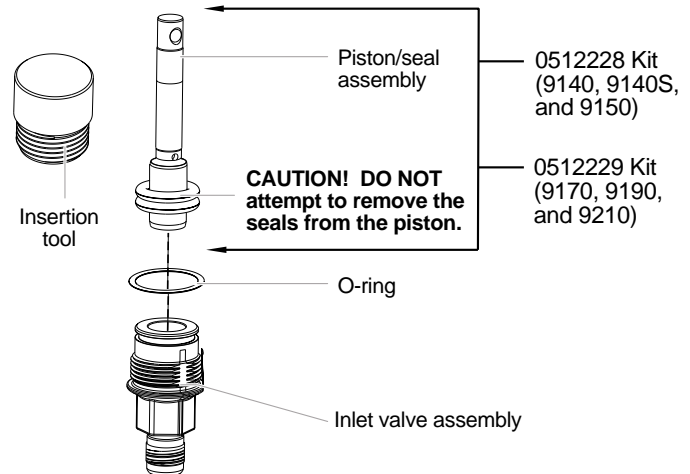
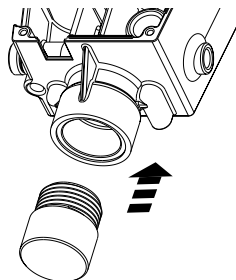


- used. Be careful not to damage the piston.
6. Apply any type of household grease to the piston and yoke area to prolong life. Apply to the holes in the yoke where the dowel is inserted.
7. Install the dowel pin to connect the yoke to the piston. The piston may have to be moved up or down to do this.
8. Install the yoke screw and washer to secure the dowel pin.
9. Turn pump right side up and apply a few drops of Wagner Separating Oil or light household oil between the top nut and piston. This will prolong the seal life.
10. Install front cover and four (4) screws.
11. Install the suction set.



ASSEMBLY OF THE FLUID SECTION

1. Lubricate the new top seal with Separating Oil (P/N 0154908) or light household oil and by hand place the seal (cup side of seal down) into the top port of the housing.
2. Place a small amount of anti-seize on the threads of the nut. Place the top nut into the top of the housing and tighten with an adjustable wrench. This will drive the top seal into the correct position.
3. Turn the pump upside down. Lubricate the seal on the piston/seal assembly similar to the top seal. Place the piston/seal assembly into the bottom of the housing. Insert the plastic insertion tool and thread into position to properly seat the piston/seal. Thread fully until tight. Remove the insertion tool.
4. Install the new O-ring on the inlet valve assembly, lubricate with Separating Oil (P/N 0154908), thread into the bottom (inlet) of the housing, and tighten with an adjustable wrench. This will drive the bottom seal into the correct position.
5. Align the piston with the yoke. A rubber mallet may be



SERVICE NOTE--MODEL 9210

The inlet check ball is a wear part. Erosion of the check ball can result in a loss of performance similar to a worn piston and seals. Inspect the inlet ball by removing the inlet valve assembly. If worn, replace the assembly with P/N 0512224. This part number is available at Wagner authorized service centers or by calling 1-800-880-0993.

TROUBLESHOOTING

PROBLEM

CAUSE

SOLUTION

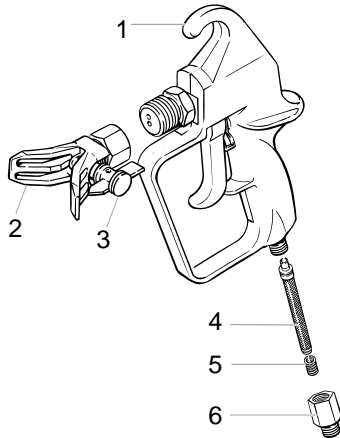
A. The sprayer does not start.	<ol style="list-style-type: none"> 1. The sprayer is not plugged in. 2. The ON/OFF switch is set to OFF. 3. The sprayer was turned off while still under pressure. 4. No voltage is coming from the wall plug. 5. The extension cord is damaged or has too low a capacity. 6. A fuse is blown in the sprayer. 7. There is a problem with the motor. 	<ol style="list-style-type: none"> 1. Plug the sprayer in. 2. Turn the ON/OFF switch to ON. 3. Turn pressure control knob to maximum setting (+), or relieve pressure by turning the PRIME/SPRAY valve to PRIME. 4. Properly test the power supply voltage. 5. Replace the extension cord. 6. Take sprayer to Wagner Authorized Service Center. 7. Take sprayer to Wagner Authorized Service Center.
B. The sprayer starts but does not draw in paint when the PRIME/SPRAY knob is set to PRIME.	<ol style="list-style-type: none"> 1. The unit will not prime properly or has lost prime. 2. The paint bucket is empty or the suction tube is not totally immersed in the paint. 3. The suction set is clogged. 4. The suction tube is loose at the inlet valve. 5. The inlet or outlet valve is stuck. 6. The inlet valve is worn or damaged. 7. The PRIME/SPRAY valve is plugged. 	<ol style="list-style-type: none"> 1. Try to prime the unit again. 2. Refill the bucket or immerse the suction tube in paint. 3. Clean the suction set. 4. Clean the tube connection and tighten it securely. 5. Clean the inlet and outlet valves and replace any worn parts.* Inlet may be stuck from old paint. Insert pusher stem to release 6. Replace the inlet valve.* 7. Take sprayer to Wagner Authorized Service Center.
C. The sprayer draws up paint but the pressure drops when the gun is triggered.	<ol style="list-style-type: none"> 1. The spray tip is worn. 2. The suction set screen is clogged. 3. The gun or spray tip filter is plugged. 4. The paint is too heavy or coarse. 5. The outlet valve assembly is dirty or worn. 6. The inlet valve assembly is damaged or worn. 	<ol style="list-style-type: none"> 1. Replace the spray tip with a new tip.** 2. Clean the suction set screen. 3. Clean or replace the proper filter. Always keep extra filters on hand. 4. Thin or strain the paint. 5. Clean or replace the outlet valve assembly.* 6. Replace the inlet valve.*
D. The PRIME/SPRAY valve is on SPRAY and there is flow through the return tube.	<ol style="list-style-type: none"> 1. The PRIME/SPRAY valve is dirty or worn. 	<ol style="list-style-type: none"> 1. Take sprayer to Wagner Authorized Service Center.
E. The spray gun leaks.	<ol style="list-style-type: none"> 1. Internal parts of the gun are worn or dirty. 	<ol style="list-style-type: none"> 1. Take the sprayer to a Wagner Authorized Service Center.
F. The tip assembly leaks.	<ol style="list-style-type: none"> 1. The tip was assembled incorrectly. 2. A seal is worn. 	<ol style="list-style-type: none"> 1. Check the tip assembly and assemble properly. 2. Replace the seal.*
G. The spray gun will not spray.	<ol style="list-style-type: none"> 1. The spray tip or the gun filter is plugged. 2. The spray tip is in the CLEAN position. 	<ol style="list-style-type: none"> 1. Clean the spray tip or gun filter. 2. Put the tip in the SPRAY position.
H. The paint pattern is tailing.	<ol style="list-style-type: none"> 1. The pressure is set too low. 2. The gun, the tip, or the suction filter is plugged. 3. The suction tube is loose at the inlet valve. 4. The tip is worn. 5. The paint is too thick. 6. Pressure loss. 	<ol style="list-style-type: none"> 1. Increase the pressure. 2. Clean the filters. 3. Tighten the suction tube fitting. 4. Replace the spray tip. 5. Thin the paint. 6. Refer to Causes and Solutions for problem C.

* Special repair kits with instructions are available for these procedures. Refer to the **Maintenance (page 13)** section of this manual for a list of the kits and their part numbers.

** Additional parts are available for this procedure. Refer to the **Accessories (page 13)** section of this manual for a list of the parts and their part numbers.

PARTS LIST • LISTE DE PIÈCES • LISTA DE PIEZAS

GX-06/07 (9140, 9140S, 9150, 9170)



ENGLISH

Item	Part #	Description	Quantity
1	0512120	Plastic gun assembly.....	1
	0512121	Metal gun assembly.....	1
2	0501011	Guard Assembly	1
3	0501413	Tip*	1
4	0154675	Filter assembly, 100 mesh.....	1
5	0043590	Spring, filter.....	1
6	0278357	Cap, filter housing.....	1

* See Accessories section (page 13)

FRANÇAIS

Article	N° de pièce	Description	Quantité
1	0512120	Pistola en plastique et ses composants.....	1
	0512121	Pistola en métallique et ses composants.....	1
2	0501011	Protège-embout et ses composants .1	1
3	0501413	Embout*.....	1
4	0154675	Filtre et ses composants, maille 100 ...1	1
5	0043590	Ressort, filtre.....	1
6	0278357	Capuchon, logement de filtre.....	1

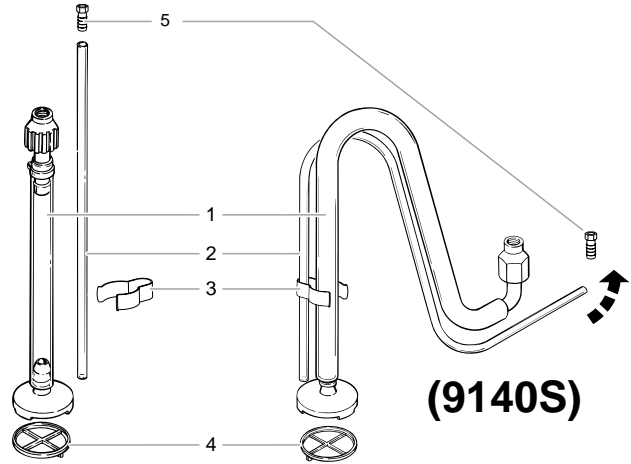
* Se reporter à la liste d'ACCESSOIRES (page 29)

ESPAÑOL

Artículo	Pieza#	Descripción	Cantidad
1	0512120	Ensamble de la pistola plástico	1
	0512121	Ensamble de la pistola metal.....	1
2	0501011	Esamble de protección	1
3	0501413	Boquilla*	1
4	0154675	Ensemble de filtro, malla 100	1
5	0043590	Resorte, filtro.....	1
6	0278357	Tapa, alojamiento de filtro.....	1

* Consulte el listado en **ACCESORIOS** (página 45).

SUCTION SET • DISPOSITIF D'ASPIRATION • JUEGO DE SUCCIÓN



(9140S)

ENGLISH

Item	Part #	Description	Quantity
1	0512215	Suction set (9140S).....	1
	0512220	Suction set assembly (plastic).....	1
	0512268	Suction set assembly (metal)	1
2	0512371	Return tube (9140S).....	1
	0512389	Return tube.....	1
3	0512390	Clip.....	1
4	0154832	Filter	1
5	9885553	Return tube fitting	1

FRANÇAIS

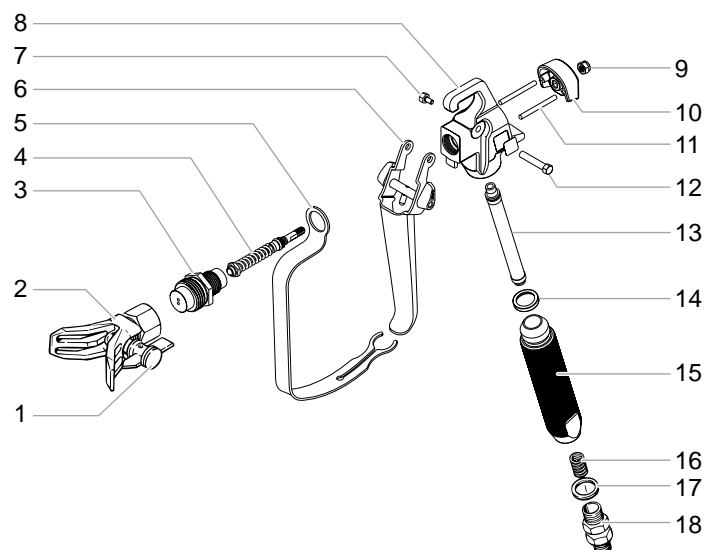
Article	N° de pièce	Description	Quantité
1	0512215	Dispositif d'aspiration et ses composants (9140S).....	1
	0512220	Dispositif d'aspiration et ses composants (plastique).....	1
	0512268	Ensemble d'aspiration et ses composants (métal)	1
2	0512371	Tube de retour (9140S).....	1
	0512389	Tube de retour	1
3	0512390	Agrafe	1
4	0154832	Filtre	1
5	9885553	Raccord de tube de retour.....	1

ESPAÑOL

Article	Pieza#	Descripción	Cantidad
1	0512215	Ensamble del juego de succión (9140S).....	1
	0512220	Ensamble del juego de succión (plástico)	1
	0512268	Ensamble del juego de succión (metal).....	1
2	0512371	Tubo de retorno (9140S).....	1
	0512389	Tubo de retorno	1
5	0512390	Abrazadera	1
4	0154832	Filtro	1
5	9885553	Conector del tubo de retorno.....	1

PARTS LIST • LISTE DE PIÈCES • LISTA DE PIEZAS

GX-08 (9190)



FRANÇAIS

Article N° de pièce	Description	Quantity
1	Se reporter à la liste d'ACCESSOIRES	
2	0501011 Protège-embout	1
3	0296261 Diffuseur, 2,2 cm.....	1
4	0296270 Ressort de soupape	1
5	0296230 Protège-doigts	1
6	0296285 Détente et ses composants.....	1
7	0296284 Vis de détente (courte)	1
8	0296228 Corps du pistolet.....	1
9	9910201 Écrou hexagonal.....	1
10	0296222 Bloc de retenue	1
11	0296286 Cheville coulissante	2
12	0296287 Vis de détente (longtemps).....	1
13	13 Filtre*	1*
14	0296289 Rondelle.....	1
15	0296342 Poignée.....	1
16	0043590 Ressort	1
17	0296283 Bague d'étanchéité.....	1
18	0296301 Raccord	1

* Se reporter au tableau de la section CHOIX DU FILTRE DE PISTOLET APPROPRIÉ, page 22).

ENGLISH

Item	Part #	Description	Quantity
1		Refer to Accessories, page 13	
2	0501011	Holder assembly	1
3	0296261	Diffuser, 7/8"	1
4	0296270	Valve spring unit	1
5	0296230	Trigger guard	1
6	0296285	Trigger assembly	1
7	0296284	Trigger screw (short).....	1
8	0296228	Gun housing	1
9	9910201	Hex nut	1
10	0296222	Retainer block.....	1
11	0296286	Sliding pin	2
12	0296287	Trigger screw (long).....	1
13		Filter*	1*
14	0296289	Washer.....	1
15	0296342	Handle	1
16	0043590	Spring	1
17	0296283	Sealing ring.....	1
18	0296301	Fitting.....	1

*See page 6 for additional filter sizes.

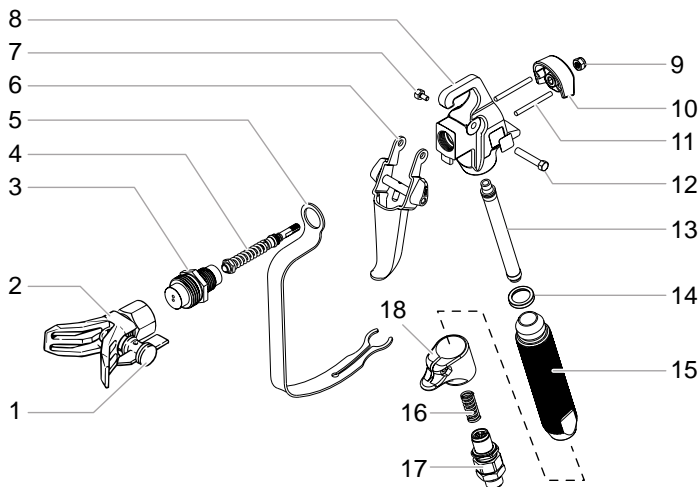
ESPAÑOL

Artículo	Pieza#	Descripción	Cantidad
1		Consulte Accesorios	
2	0501011	Ensmble de la protección de la boquilla rociadora	1
3	0296261	Difusor 7/8"	1
4	0296270	Unidad del resorte de la válvula.....	1
5	0296230	Protector del gatillo.....	1
6	0296285	Ensemble del gatillo	1
7	9910403	Tornillo del gatillo (corto).....	1
8	0296228	Alojamiento de la pistola.....	1
9	9910201	Tuerca hexagonal	1
10	0296222	Bloque de retención.....	1
11	0296286	Pasador deslizante	2
13		Filtro*	1*
12	0296287	Tornillo del gatillo (de largo)	1
14	0296289	Arandela	1
15	0296342	Mango	1
16	0043590	Resorte	1
17	0296283	Aro sellador.....	1
18	0296301	Ensemble del collarín	1

*Consulte la página para 38 ver tamaños adicionales de filtros

PARTS LIST • LISTE DE PIÈCES • LISTA DE PIEZAS

GX-10 (9210)



FRANÇAIS

Article N° de pièce	Description	Quantity
1	Se reporter à la liste d'ACCESSOIRES	
2	0501011 Protège-embout.....	1
3	0296261 Diffuseur, 2,2 cm.....	1
4	0296270 Ressort de soupape.....	1
5	0296230 Protège-doigts.....	1
6	0296291 Détente et ses composants.....	1
7	0296284 Vis de détente (courte).....	1
8	0296228 Corps du pistolet.....	1
9	9910201 Écrou hexagonal.....	1
10	0296222 Bloc de retenue.....	1
11	0296286 Cheville coulissante.....	2
12	0296287 Vis de détente (longtemps).....	1
13	Filtre*.....	1*
14	0296289 Rondelle.....	1
15	0296342 Poignée.....	1
16	0296343 Ressort.....	1
17	0347706 Pivot.....	1
18	0296262 Séparateur.....	1

* Se reporter au tableau de la section CHOIX DU FILTRE DE PISTOLET APPROPRIÉ, page 22).

ENGLISH

Item	Part #	Description	Quantity
1		Refer to Accessories, page 13	
2	0501011	Holder assembly.....	1
3	0296261	Diffuser, 7/8".....	1
4	0296270	Valve spring unit.....	1
5	0296230	Trigger guard.....	1
6	0296291	Trigger assembly.....	1
7	0296284	Trigger screw (short).....	1
8	0296228	Gun housing.....	1
9	9910201	Hex nut.....	1
10	0296222	Retainer block.....	1
11	0296286	Sliding pin.....	2
12	0296287	Trigger screw (long).....	1
13		Filter*.....	1*
14	0296289	Washer.....	1
15	0296342	Handle.....	1
16	0296343	Spring.....	1
17	0347706	Swivel.....	1
18	0296262	Separator.....	1

*See page 6 for additional filter sizes.

ESPAÑOL

Artículo	Pieza#	Descripción	Cantidad
1		Consulte Accesorios	
2	0501011	Ensemble de la protección de la boquilla rociadora.....	1
3	0296261	Difusor 7/8".....	1
4	0296270	Unidad del resorte de la válvula.....	1
5	0296230	Protector del gatillo.....	1
6	0296291	Ensemble del gatillo.....	1
7	9910403	Tornillo del gatillo (corto).....	1
8	0296228	Alojamiento de la pistola.....	1
9	9910201	Tuerca hexagonal.....	1
10	0296222	Bloque de retención.....	1
11	0296286	Pasador deslizante.....	2
13		Filtro*.....	1*
12	0296287	Tornillo del gatillo (de largo).....	1
14	0296289	Arandela.....	1
15	0296342	Mango.....	1
16	0296343	Resorte.....	1
17	0347706	Giratorio.....	1
18	0296262	Separador.....	1

*Consulte la página para 38 ver tamaños adicionales de filtros

PARTS LIST • LISTE DE PIÈCES • LISTA DE PIEZAS

CART ASSEMBLY

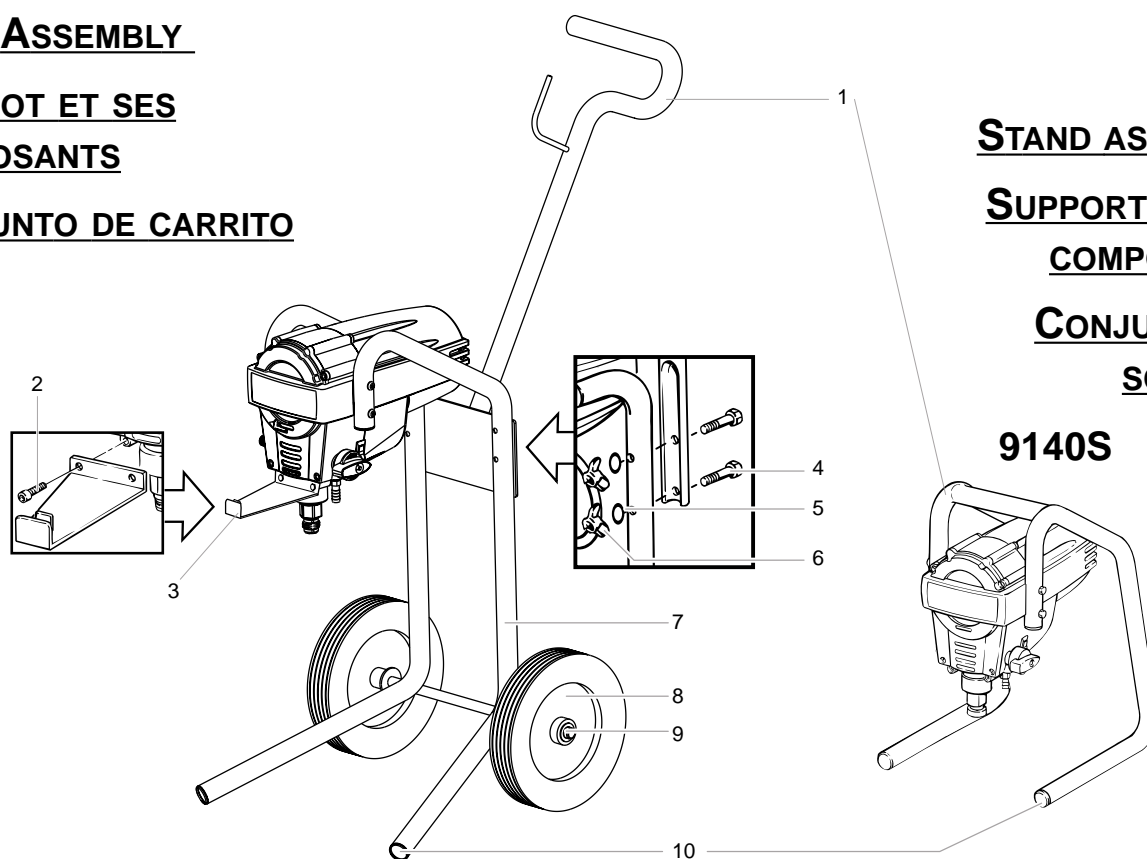
CHARIOT ET SES COMPOSANTS

CONJUNTO DE CARRITO

STAND ASSEMBLY

SUPPORT ET SES COMPOSANTS

CONJUNTO DE SOPORTE



ENGLISH

Item	Part #	Description	Quantity
1	0512406	Handle	1
	0512336	Handle (9140S)	1
2		Pail Bracket Bolt	2
3	0512355	Pail Bracket	1
4	9800108	Bolt (9140, 9150, 9170, 9190)	4
	9802518	Bolt (9210)	4
5	9821503	Washer	4
6	9810111	Nut (9140, 9150, 9170, 9190)	4
	0288661	Knob Handle (9210)	4
7	0512383	Cart (9140, 9150)	1
	0512368	Cart (9170)	1
	0512385	Cart (9190, 9210)	1
8	0512396	Wheel (9140, 9150)	2
	0512397	Wheel (9170)	2
	0278373	Wheel (9190, 9210)	2
9	0275728	Cap (9140, 9150, 9170)	2
	9890104	Cap (9190, 9210)	2
10	9885546	Plug (9140, 9140S, 9150, 9170, 9190)	2
	0294635	Plug (9210)	2

FRANÇAIS

Article	N° de pièce	Description	Quantité
1	0512406	Guidon	1
	0512336	Guidon (9140S)	1
2		Boulon de support de contenant	2
3	0512355	Support de contenant	1
4	9800108	Boulon (9140, 9150, 9170, 9190)	4
	9802518	Boulon (9210)	4
5	9821503	Rondelle	4
6	9810111	Écrou (9140, 9150, 9170, 9190)	4
	0288661	Gros écrou papillon (9210)	4
7	0512383	Chariot (9140, 9150)	1
	0512368	Chariot (9170)	1
	0512385	Chariot (9190)	1
	0512425	Chariot (9210)	1

8	0512396	Roue (9140, 9150)	2
	0512397	Roue (9170)	2
	0278373	Roue (9190, 9210)	2
9	0275728	Capuchon (9140, 9150, 9170)	2
	9890104	Capuchon (9190, 9210)	2
10	9885546	Bouchon (9140, 9150, 9170, 9190)	2
	0294635	Bouchon (9210)	2

ESPAÑOL

Artículo	Pieza#	Descripción	Cantidad
1	0512406	Mango	1
	0512336	Mango (9140S)	1
2		Perno del soporte del bote	2
3	0512355	Soporte para el bote	1
4	9800108	Perno (9140, 9150, 9170, 9190)	4
	9802518	Perno (9210)	4
5	9821503	Arandela	4
6	9810111	Tuerca (9140, 9150, 9170, 9190)	4
	0288661	Asa de perilla (9210)	4
7	0512383	Carrito (9140, 9150)	1
	0512368	Carrito (9170)	1
	0512385	Carrito (9190)	1
	0512425	Carrito (9210)	1
8	0512396	Rueda (9140, 9150)	2
	0512397	Rueda (9170)	2
	0278373	Rueda (9190, 9210)	2
9	0275728	Tapa (9140, 9150, 9170)	2
	9890104	Tapa (9190, 9210)	2
10	9885546	Enchufe (9140, 9140S, 9150, 9170, 9190)	2
	0294635	Enchufe (9210)	2

LIMITED WARRANTY
AIRLESS PAINT SPRAY EQUIPMENT

This product, manufactured by Wagner Spray Tech Corporation (Wagner), is warranted to the original retail purchaser against defects in material and workmanship for one year from date of purchase.

This warranty does not cover damage resulting from improper use, accidents, user's negligence or normal wear. This warranty does not cover any defects or damages caused by service or repair performed by anyone other than a Wagner Authorized Service Center. This warranty does not apply to accessories.

ANY IMPLIED WARRANTY OF MERCHANTABILITY OR FITNESS FOR A PARTICULAR PURPOSE IS LIMITED TO ONE YEAR FROM DATE OF PURCHASE.

WAGNER SHALL NOT IN ANY EVENT BE LIABLE FOR ANY INCIDENTAL OR CONSEQUENTIAL DAMAGES OF ANY KIND, WHETHER FROM BREACH OF THIS WARRANTY OR ANY OTHER REASON.

If any product is defective in material and/or workmanship during the applicable warranty period, return it with proof of purchase, transportation prepaid to any Wagner Authorized Service Center. (Service Center listing is enclosed with this product.) Wagner's Authorized Service Center will either repair or replace the product (at Wagner's option) and return it to you, postage prepaid.

SOME STATES DO NOT ALLOW LIMITATIONS ON HOW LONG AN IMPLIED WARRANTY LASTS OR THE EXCLUSION OF INCIDENTAL OR CONSEQUENTIAL DAMAGES, SO THE ABOVE LIMITATION AND EXCLUSION MAY NOT APPLY TO YOU.

THIS WARRANTY GIVES YOU SPECIFIC LEGAL RIGHTS, AND YOU MAY ALSO HAVE OTHER RIGHTS WHICH VARY FROM STATE TO STATE.

GARANTIE LIMITÉE
MATÉRIEL DE PULVÉRISATION DE PEINTURE SANS AIR

Ce produit, fabriqué par Wagner Spray Tech Corporation (Wagner), est garanti, au bénéfice de l'acheteur au détail d'origine, contre tout vice de matières et toute malfaçon pour un an à compter de la date d'achat.

La présente garantie ne s'applique pas aux dégâts entraînés par une utilisation incorrecte, par la négligence de l'utilisateur ou par l'usure normale. La présente garantie ne s'applique pas non plus aux défauts ou dommages résultant de l'entretien ou de la réparation que fait une personne quelconque qui ne soit pas membre d'un centre d'entretien autorisé pour les produits Wagner. La présente garantie ne s'applique pas aux accessoires.

TOUTE GARANTIE IMPLICITE DE QUALITÉ MARCHANDE OU D'ADAPTATION À UN USAGE PARTICULIER EST LIMITÉE À UNE PÉRIODE DE 30 JOURS POUR UNE UTILISATION PROFESSIONNELLE OU DE LOCATION ET D'UNE ANNÉE POUR L'UTILISATION DOMESTIQUE, À COMPTER DE LA DATE D'ACHAT.

TOUTE GARANTIE IMPLICITE DE VENDABILITÉ OU DE CONVENANCE À UNE DESTINATION PARTICULIÈRE EST LIMITÉE À UN AN À COMPTER DE LA DATE D'ACHAT.

Si un produit est défectueux en ce qui concerne les matériaux ou l'exécution pendant la période de garantie applicable, vous devez le retourner, avec une preuve d'achat et frais de port payés, à n'importe quel centre d'entretien autorisé pour les produits Wagner. (Une liste de ces centres d'entretien est jointe à ce produit.) Le centre d'entretien autorisé pour les produits Wagner réparera ou remplacera le produit (à la discrétion de Wagner) et vous le retournera par la poste, avec frais de port payés.

CERTAINES PROVINCES INTERDISSENT LES RESTRICTIONS SUR LA DURÉE D'UNE GARANTIE IMPLICITE OU L'EXCLUSION DES DOMMAGES ACCESSOIRES OU INDIRECTS. IL SE PEUT DONC QUE LA RESTRICTION ET L'EXCLUSION ÉNONCÉES CI-DESSUS NE S'APPLIQUENT PAS À VOUS. LE PRÉSENTE GARANTIE VOUS ACCORDE DES DROITS JURIDIQUES SPÉCIFIQUES, ET VOUS AVEZ PEUT-ÊTRE D'AUTRES DROITS, QUI PEUVENT VARIER D'UNE PROVINCE À L'AUTRE.

GARANTÍA LIMITADA
EQUIPO DE ATOMIZACIÓN DE PINTURA SIN AIRE

Este producto, fabricado por Wagner Spray Tech Corporation (Wagner), está garantizado ante el comprador original contra defectos de materiales y mano de obra durante un año contado a partir de la fecha de compra.

Esta garantía no cubre los daños que sean resultado de un uso inapropiado, accidentes, negligencia del usuario o un desgaste normal. Esta garantía no cubre ningún defecto o daño que haya sido causado por los servicios o reparaciones llevadas a cabo por alguien que no sea un técnico del Centro de Servicio Autorizado de Wagner. Esta garantía no es válida para ningún accesorio.

CUALQUIER GARANTIA IMPLICITA DE COMERCIALIZACION O IDONEIDAD PARA CUALQUIER PROPOSITO EN PARTICULAR QUEDA LIMITADA A UN AÑO A PARTIR DE LA FECHA DE COMPRA.

WAGNER NO SERÁ EN NINGÚN CASO RESPONSABLE DE NINGÚN DAÑO INCIDENTAL O DE CONSECUENCIA DE NINGUNA CLASE, QUE RESULTE DE VIOLAR ESTA GARANTÍA O POR CUALQUIER OTRA RAZÓN.

Si algún producto llegara a tener defectos de material y/o mano de obra durante el período de validez de la garantía, devuélvalo junto con el comprobante de compra y flete previamente pagado, a cualquier Centro de Servicio Autorizado de Wagner. (La lista de Centros de Servicio viene adjunta con este producto.) El Centro de Servicio Autorizado de Wagner reparará o reemplazará el producto (según la opción de Wagner) y se lo devolverá, con porte previamente pagado.

ALGUNOS ESTADOS NO PERMITEN LIMITACIONES EN CUANTO A LA DURACIÓN DE UNA GARANTÍA IMPLÍCITA O LA EXCLUSIÓN DE DAÑOS INCIDENTALES O DE CONSECUENCIA, DE MANERA QUE LA LIMITACIÓN Y EXCLUSIÓN ANTERIORES PODRÍAN NO SER VÁLIDAS PARA USTED.

ESTA GARANTÍA LE CONCEDE DERECHOS LEGALES ESPECÍFICOS, PERO USTED PODRÍA TENER DERECHO A OTROS, LOS CUALES VARIAN DE UN ESTADO A OTRO.

Wagner Spray Tech Corporation
1770 Fernbrook Lane
Minneapolis, Minnesota 55447
Telephone 1-800-880-0993

Copyright © 2003 Wagner Spray Tech Corporation.
All rights reserved, including right of reproduction in
whole or in part, in any form. Printed in U.S.A.

Free Manuals Download Website

<http://myh66.com>

<http://usermanuals.us>

<http://www.somanuals.com>

<http://www.4manuals.cc>

<http://www.manual-lib.com>

<http://www.404manual.com>

<http://www.luxmanual.com>

<http://aubethermostatmanual.com>

Golf course search by state

<http://golfingnear.com>

Email search by domain

<http://emailbydomain.com>

Auto manuals search

<http://auto.somanuals.com>

TV manuals search

<http://tv.somanuals.com>