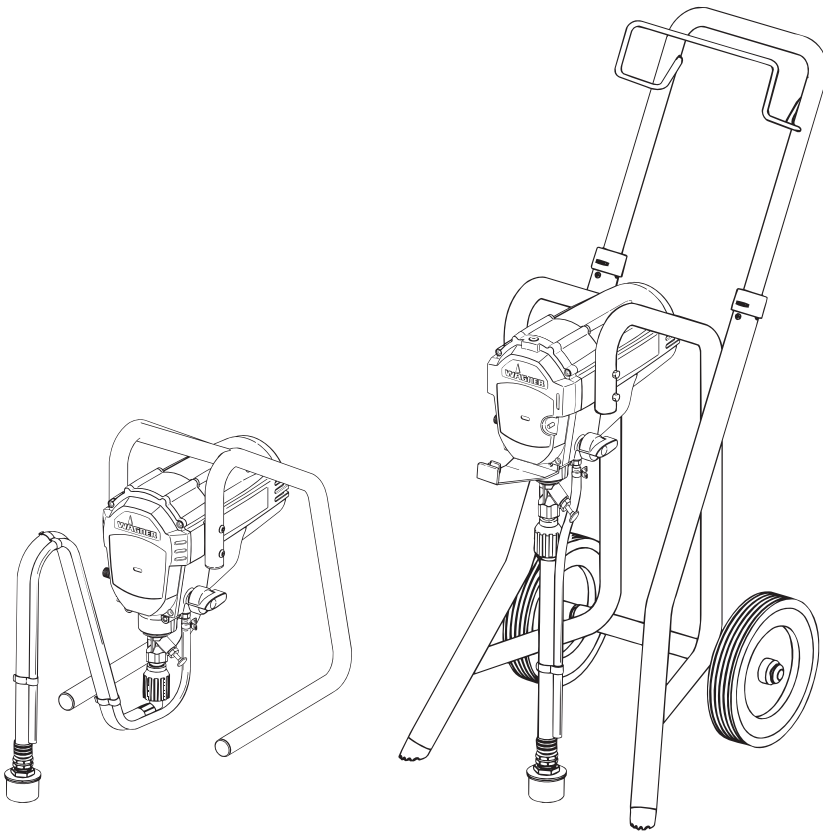


# WAGNER®

## *Twin Stroke™ Piston Pump*

Models 9140S, 9146, 9150, 9170 and 9190

**Owner's manual: Read this manual for complete instructions**



This pump is available in a stand model (9140S) and cart models (9146, 9150, 9170 and 9190). All information given for the stand model applies to the cart models except where indicated.

### Table of Contents

Safety .....	2-3
Components and Description .....	4-5
Assembly .....	6
Before You Begin .....	7
Locking the Spray Gun .....	7
Plugging in the Sprayer .....	7
Pressure Relief Procedure .....	7
Purging and Priming the Sprayer .....	8
Purging and Priming the Spray Hose .....	9
Practice / Spraying Technique .....	10
Spraying Troubleshooting .....	11-12
Unclogging the Spray Tip .....	11
Cleaning the Spray Gun Filter .....	12
Cleaning the Inlet Filter .....	12
Cleanup .....	13-17
Cleanup for Latex materials .....	13-14
Cleanup for Oil-based materials .....	15
Cleaning the Suction Set .....	16
Cleaning the Spray Gun Components .....	17
Short-Term Storage .....	18
Long-Term Storage .....	19
Cleaning the Inlet Valve .....	20
Fluid Section .....	21
Troubleshooting / Maintenance .....	22
Français .....	23
Español .....	45
Parts List .....	67-70
Accessories .....	71
Warranty .....	72



**1-800-880-0993**

**Wagner Technical Service**

Visit us on the world wide web!

<http://www.wagnerspraytech.com>

1770 Fernbrook Lane, Plymouth, MN 55447

**Need Help? Call us first for answers fast.** Call Wagner Spray Tech toll-free if you have any comments or problems with this product.

**Technical service hours: Monday through Friday, 8:00 am to 4:30 pm Central Time**

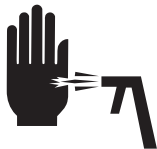


# Important Safety Information • Read all safety information before operating the equipment. Save these instructions

To reduce the risks of fire or explosion, electrical shock and the injury to persons, read and understand all instructions included in this manual. Be familiar with the controls and proper usage of the equipment.

## HAZARD: INJECTION INJURY

A high pressure paint stream produced by this equipment can pierce the skin and underlying tissues, leading to serious injury and possible amputation. SEE A PHYSICIAN IMMEDIATELY.



**DO NOT TREAT AN INJECTION INJURY AS A SIMPLE CUT!** Injection can lead to amputation. See a physician immediately.

The maximum operating range of the gun is 3000 PSI/207 BAR fluid pressure.

### PREVENTION:

- NEVER aim the gun at any part of the body.
- Do not aim the gun at, or spray any person or animal.
- NEVER allow any part of the body to touch the fluid stream. DO NOT allow body to touch a leak in the fluid hose.
- NEVER put your hand in front of the gun. Gloves will not provide protection against an injection injury.
- ALWAYS lock the gun trigger, shut the pump off, and release all pressure before servicing, cleaning the tip or guard, changing tip, or leaving unattended. Pressure will not be released by turning off the motor. The PRIME/SPRAY knob must be turned to PRIME to relieve the pressure. Refer to the **PRESSURE RELIEF PROCEDURE (page 7)** described in the pump manual.
- ALWAYS keep the tip guard in place while spraying. The tip guard provides some protection but is mainly a warning device.
- ALWAYS remove the spray tip before flushing or cleaning the system.
- Paint hose can develop leaks from wear, kinking and abuse. A leak can inject material into the skin. Inspect the hose before each use. Do not use hose to lift or pull equipment.
- NEVER use a spray gun without a working trigger lock and trigger guard in place.
- All accessories must be rated at or above 3000 PSI/207 BAR. This includes spray tips, guns, extensions, and hose.

### NOTE TO PHYSICIAN:

Injection into the skin is a traumatic injury. It is important to treat the injury as soon as possible. DO NOT delay treatment to research toxicity. Toxicity is a concern with some coatings injected directly into the blood stream. Consultation with a plastic surgeon or reconstructive hand surgeon may be advisable.

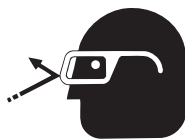
## HAZARD: HAZARDOUS VAPORS

Paints, solvents, insecticides, and other materials can be harmful if inhaled or come in contact with the body. Vapors can cause severe nausea, fainting, or poisoning.



### PREVENTION:

- Use a respirator or mask if vapors can be inhaled. Read all instructions supplied with the mask to be sure it will provide the necessary protection.
- Wear protective eyewear.
- Wear protective clothing as required by coating manufacturer.



## HAZARD: EXPLOSION OR FIRE

Solvent and paint fumes can explode or ignite. Property damage and/or severe injury can occur.



### PREVENTION:

- Provide extensive exhaust and fresh air introduction to keep the air within the spray area free from accumulation of flammable vapors. Solvent and paint fumes can explode or ignite.
- Do not spray in a confined area.
- Avoid all ignition sources such as static electric sparks, open flames, pilot lights, electrical appliances, and hot objects. Connecting or disconnecting power cords or working light switches can make sparks. Paint or solvent flowing through the equipment is able to result in static electricity.
- Do not smoke in spray area.
- Fire extinguisher must be present and in good working order.
- Place paint pump at least 20 feet from the spray object in a well ventilated area (add more hose if necessary). Flammable vapors are often heavier than air. Floor area must be extremely well ventilated.
- The equipment and objects in and around the spray area must be properly grounded to prevent static sparks.
- Keep area clean and free of paint or solvent containers, rags and other flammable materials.
- Use only conductive or grounded high pressure fluid hose. Gun must be grounded through hose connections.
- Power cord must be connected to a grounded circuit.
- Always flush unit into a separate metal container, at low pump pressure, with spray tip removed. Hold gun firmly against side of container to ground container and prevent static sparks.
- Follow the material and solvent manufacturer's warnings and instructions. Know the contents of the paints and solvents being sprayed. Read all Material Safety Data Sheets (MSDS) and container labels provided with the paints and solvents. Follow the paint and solvent manufacturer's safety instructions.
- Use extreme caution when using materials with a flashpoint below 70°F (21°C). Flashpoint is the temperature that a fluid can produce enough vapors to ignite.
- Plastic can cause static sparks. Never hang plastic to enclose a spray area. Do not use plastic drop cloths when spraying flammable materials.
- Use lowest possible pressure to flush equipment.
- Do not spray onto pump assembly.



## HAZARD: EXPLOSION HAZARD DUE TO INCOMPATIBLE MATERIALS

Will cause property damage or severe injury.

### PREVENTION:

- Do not use materials containing bleach or chlorine.
- Do not use halogenated hydrocarbon solvents such as bleach, mildewcide, methylene chloride and 1,1,1 - trichloroethane. They are not compatible with aluminum.
- Contact your coating supplier about the compatibility of material with aluminum.





# Important Safety Information • Read all safety information before operating the equipment. Save these instructions

## HAZARD: GENERAL

Can cause severe injury or property damage.

### PREVENTION:

- Read all instructions and safety precautions before operating equipment.
- Follow all appropriate local, state, and national codes governing ventilation, fire prevention, and operation.
- The United States Government Safety Standards have been adopted under the Occupational Safety and Health Act (OSHA). These standards, particularly part 1910 of the General Standards and part 1926 of the Construction Standards should be consulted.
- Use only manufacturer authorized parts. User assumes all risks and liabilities when using parts that do not meet the minimum specifications and safety requirements of the pump manufacturer.
- Before each use, check all hoses for cuts, leaks, abrasion or bulging of cover. Check for damage or movement of couplings. Immediately replace the hose if any of these conditions exist. Never repair a paint hose. Replace it with another grounded high-pressure hose.
- All hoses, swivels, guns, and accessories must be pressure rated at or above 3000 PSI/207 BAR.
- Do not spray outdoors on windy days.
- Wear clothing to keep paint off skin and hair.
- Do not operate or spray near children. Keep children away from the equipment at all times.
- Do not overreach or stand on an unstable support. Keep effective footing and balance at all times.
- Stay alert and watch what you are doing.
- Do not operate the unit when fatigued or under the influence of drugs or alcohol.

## Important Electrical Information

### NOTICE

Use only a 3-wire extension cord that has a 3-blade grounding plug and a 3-slot receptacle that will accept the plug on the product. Make sure your extension cord is in good condition. When using an extension cord, be sure to use one heavy enough to carry the current your product will draw. An undersized cord will cause a drop in line voltage resulting in loss of power and overheating. A 14 or 12 gauge cord is recommended (see chart below). If an extension cord is to be used outdoors, it must be marked with the suffix W-A after the cord type designation. For example, a designation of SJTW-A would indicate that the cord would be appropriate for outdoor use.

Cord gauge	Maximum cord length
12	200 feet
14	100 feet

**Do not use more than 100 feet of spray hose. If you need to spray further than 100 feet from your power source, use more extension cord, not more spray hose.**

### NOTICE

**THE 9140S, 9146 AND 9150 SERIES UNITS ARE PROVIDED WITH A NON-RESETTABLE THERMAL OVERLOAD. THE 9170 AND 9190 SERIES UNITS ARE PROVIDED WITH A REPLACEABLE FUSE.**

- Always disconnect the motor from the power supply before working on the equipment.

**The cause of the overload should be corrected before restarting. Take unit to Service Center.**

## Grounding Instructions

This product must be grounded. In the event of an electrical short circuit, grounding reduces the risk of electric shock by providing an escape wire for the electric current. This product is equipped with a cord having a grounding wire with an appropriate grounding plug. The plug must be plugged into an outlet that is properly installed and grounded in accordance with all local codes and ordinances.

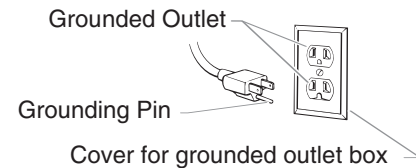


**Improper installation of the grounding plug can result in a risk of electric shock.**

If repair or replacement of the cord or plug is necessary, do not connect the green grounding wire to either flat blade terminal. The wire with insulation having a green outer surface with or without yellow stripes is the grounding wire and must be connected to the grounding pin.

Check with a qualified electrician or serviceman if the grounding instructions are not completely understood, or if you are in doubt as to whether the product is properly grounded. Do not modify the plug provided. If the plug will not fit the outlet, have the proper outlet installed by a qualified electrician.

This product is for use on a nominal 120 volt circuit and has a grounding plug that looks like the plug illustrated below. Make sure that the product is connected to an outlet having the same configuration as the plug. **No adapter should be used with this product.**



**If you experience problems with your sprayer at any time during assembly, operation, or cleanup, please refer to the [Troubleshooting](#) section of this manual (page 22), or call customer service at:**

**1-800-880-0993**

# Components and Description

## Components

The shipping carton for your painting system contains the following:

- Suction tube and return tube
- Pump cleaning adapter
- Spray gun with filter
- Spray tip assembly (**see chart on next page**)
- 25' (9140S, 9146, 9150) or 50' (9170, 9190), 1/4" diameter pressure hose
- Separating Oil
- Instruction manual
- Hose bracket (all cart units)
- Pail bracket (all cart units)

## Controls and Functions

**ON/OFF Switch** . . . . . The ON/OFF switch turns the power to the sprayer on and off (O=OFF, I=ON).

**Suction tube** . . . . . Fluid is drawn through the suction tube into the pump.

**Fluid Section** . . . . . A piston in the fluid section moves up and down to create the suction that draws fluid through the suction tube.

**Spray Gun** . . . . . The spray gun controls the delivery of the fluid being pumped. The gun model you have depends on your sprayer model (**refer to Spray Gun/Tip Chart, next page**).

**Spray Hose** . . . . . The spray hose connects the gun to the pump.

**Return Tube** . . . . . Fluid is sent back out through the return tube to the original container when PRIME/SPRAY knob is in PRIME position.

**Pump Cleaning Adapter** . . . . The adapter allows you to attach a garden hose to the suction tube for easy cleanup (latex materials only).

**PRIME/SPRAY Knob** . . . . . The PRIME/SPRAY knob directs fluid to the spray hose when set to SPRAY or the return tube when set to PRIME. The arrows on the PRIME/SPRAY knob shows the rotation directions for PRIME and SPRAY.

The PRIME/SPRAY knob is also used to relieve pressure built up in the spray hose (**see Pressure Relief Procedure, page 7**).

**Pressure Control Dial** . . . . . The pressure control dial regulates the amount of force the pump uses to push the fluid.

**Oiler** . . . . . (**9146, 9150, 9170, 9190 only**) The oiler is designed to provide lubrication to the fluid section of the pump.

**Pusher Stem** . . . . . The pusher stem is designed to keep the inlet valve open and from sticking due to dried materials.

## Specifications

### Capacity

9140S	Up to .25 gallon (0.95 liter) / minute
9146, 9150	Up to .29 gallon (1.10 liters) / minute
9170	Up to .33 gallon (1.25 liters) / minute
9190	Up to .42 gallon (1.60 liters) / minute

### Power source

9140S	1/2 Hp universal motor
9146, 9150	5/8 Hp universal motor
9170	3/4 Hp permanent magnet DC motor
9190	7/8 Hp permanent magnet DC motor

**Power requirement**.....15 amp minimum circuit on 115 VAC, 60 Hz current

### Generator power requirement

.....8000 Watt

### Safety features

.....Spray gun trigger lock and pressure diffuser; built-in tip safety guard; PRIME/SPRAY knob for safe pressure release.

### Capability

.....Sprays a variety of paints, oil base latex, primers, stains, preservatives and other nonabrasive materials, including pesticides and liquid fertilizers.

**This pump should not be used with textured materials, block filler, or asphalt sealer.**

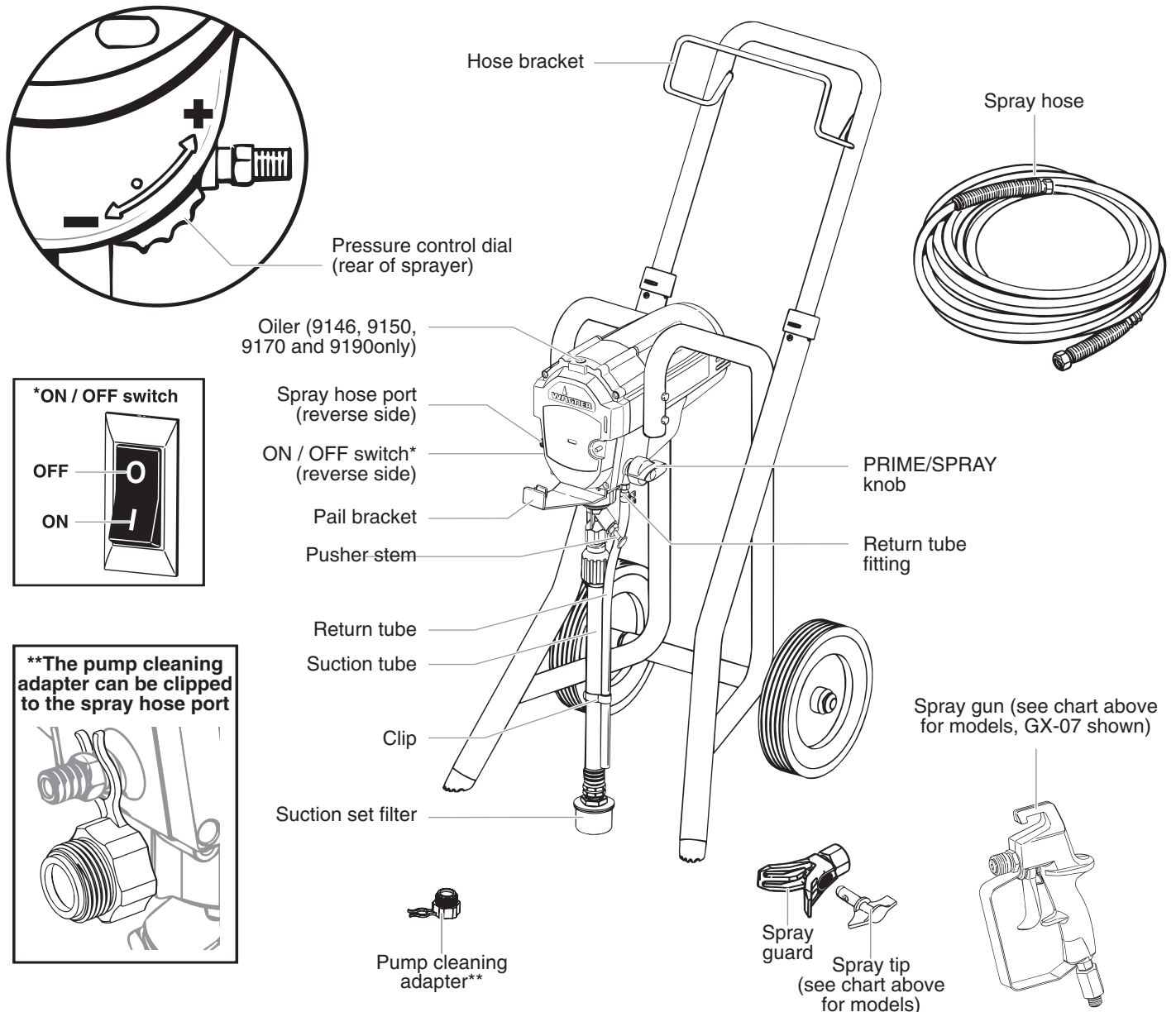
# Components and Description

This pump is available in two models: a stand model (9140S) and cart models (9146, 9150 shown below, 9170 and 9190). All information given for the stand model applies to the cart models except where indicated.

## Important

Some of the graphics in this manual may not exactly match your sprayer and spray gun. All information and instructions given in this manual applies to all models except where noted.

Spray Gun/Tip Chart					
Sprayer Model	Gun Model	Tip	Max. Tip	Recommended Gun Filter	Spray hose length
9140S	GX-05	415	415	Yellow (fine)	25 feet
9146, 9150	GX-07	415	517	Yellow (fine)	25 feet
9170	GX-07	517	519	White (medium)	50 feet
9190	GX-08	517	521	White (medium)	50 feet



# Assembly

## ⚠ WARNING

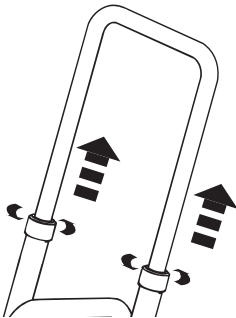
Do not plug in the sprayer until setup is complete.

## Tools needed for assembly:

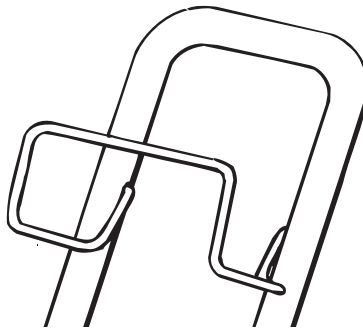
- Two adjustable wrenches
- Extension cord (refer to **Important Electrical Information** (page 3)).
- 3/16" Allen wrench

If you have one of the cart models (9146, 9150, 9170 or 9190), follow these assembly instructions. If you have the model 9140S sprayer, skip to item 4, below.

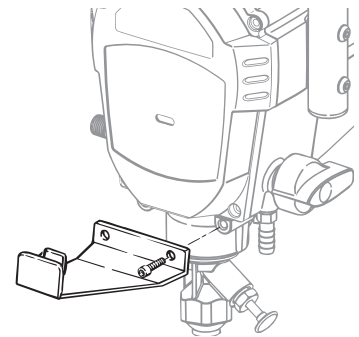
1. Twist the knobs on either side of the handle **counterclockwise** to unlock the handle. Pull the handle out fully, and turn knobs **clockwise** to lock into place.



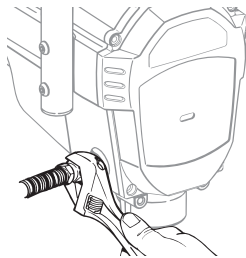
2. Insert the ends of the hose bracket into the holes of the handle as shown.



3. Attach the pail bracket. Line up the holes in the bracket with the holes in the sprayer. Insert and tighten the screws using a 3/16" allen wrench.

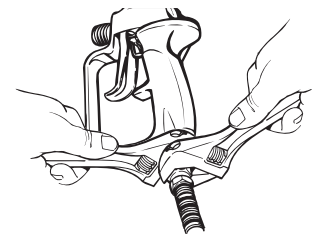


4. Thread the high pressure hose to the spray hose port. Tighten with an adjustable wrench.

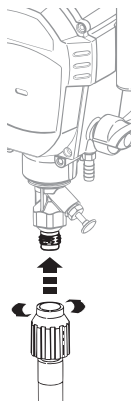
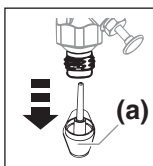


5. Thread the other end of the hose to the spray gun. Hold the gun with one adjustable wrench, and tighten the hose nut with the other.

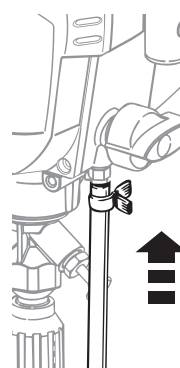
**The spray tip SHOULD NOT be attached until after the sprayer and spray hose have been purged and primed.**



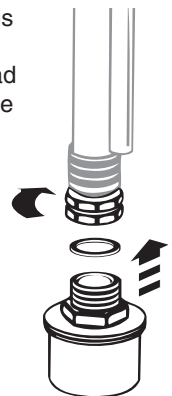
6. Remove cap from inlet valve (a). Thread the suction tube onto the inlet valve and tighten firmly by hand. Be sure that the threads are straight so that the fitting turns freely.



7. Press the return tube onto the return tube fitting. Squeeze clip over the return tube fitting to secure the return tube.



8. Verify that the seal is present inside the suction tube. Thread the inlet filter into the end of the suction tube.



# Before you begin - This section contains instructions that will be repeated throughout this manual.

## Locking the Spray Gun:

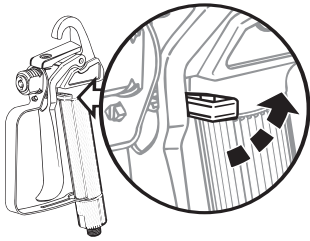
### **WARNING**

Always lock the trigger off when attaching the spray tip or when the spray gun is not in use.

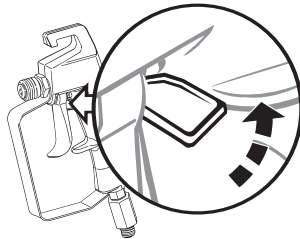
#### **Model GX-05 and GX-07 Spray Gun**

The gun is locked when the trigger lock is at a 90° angle (perpendicular to the trigger in either direction).

**GX-05**

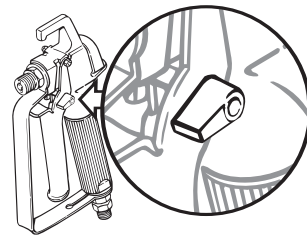


**GX-07**



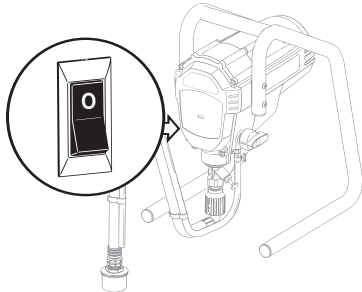
#### **Model GX-08 Spray Gun**

To lock the gun, turn the trigger lock forward and slightly down until it stops.

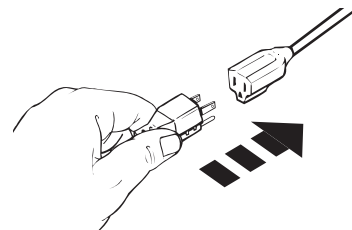


## Plugging in the Sprayer:

1. Check that the ON/OFF switch is in the OFF (O) position.



2. Plug the power cord into a grounded outlet or heavy duty grounded extension cord. Plug in the extension cord. Refer to **Important Electrical Information**, page 3.

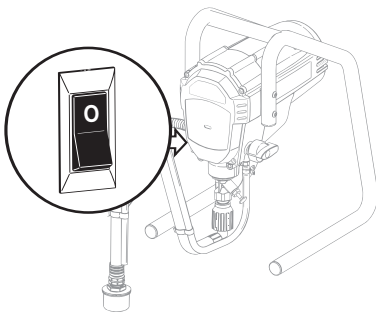


## Pressure Relief Procedure:

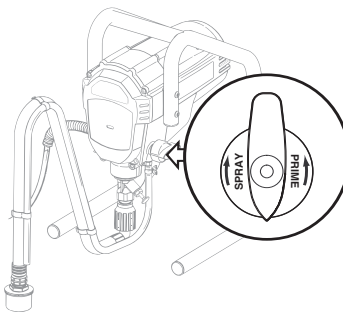
### **WARNING**

Be sure to follow the **Pressure Relief Procedure** when shutting the unit off **FOR ANY PURPOSE**. This procedure is used to relieve pressure from the spray hose.

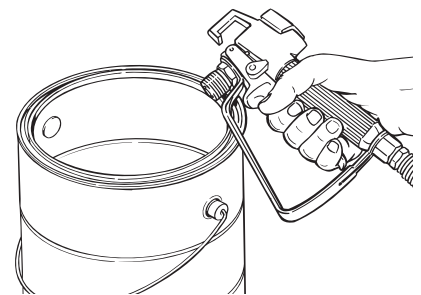
1. Lock the spray gun off (see **directions above**). Move the ON/OFF switch to the OFF position.



2. Turn the PRIME/SPRAY knob to PRIME.



3. Unlock the spray gun and trigger spray gun into the side of the material bucket. Lock the spray gun.

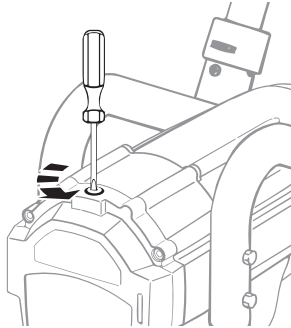


# Purging and Priming the Sprayer

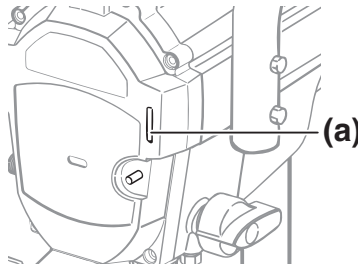
All new units are performance-tested at the factory and are shipped with test fluid in the fluid section to prevent corrosion during shipment and storage. If you have already used your pump, some water or solvent used in cleaning may remain in the fluid section. Whether your sprayer is new or if you have already used it, this fluid must be purged and thoroughly cleaned out of the system prior to use. Follow the steps below.

9146, 9150, 9170 and 9190 only.

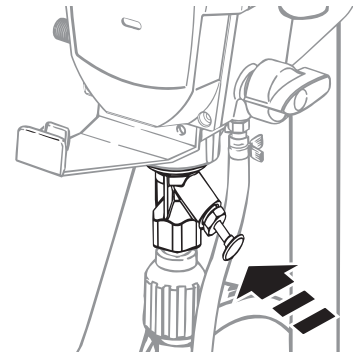
1. Remove oiler cap using a straight-slot screwdriver. Squirt separating oil (P/N 0516913) supplied with your sprayer into the oiler. Light household oil can be substituted if necessary. Replace cap.



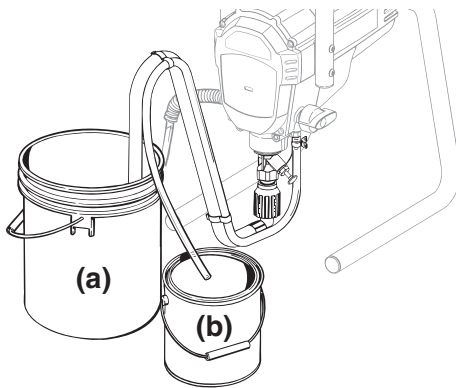
2. After filling, push button on front of face plate 2-5 times to lubricate the fluid section. Afterwards, press **once** for every eight hours of usage. Be sure to periodically check reservoir level **(a)** and refill as necessary.



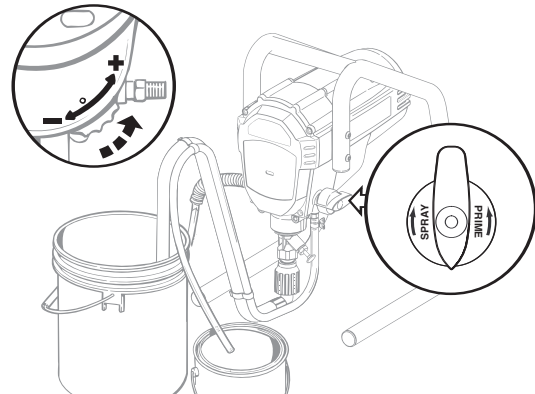
3. Fully depress the pusher stem to make sure the inlet ball is free.



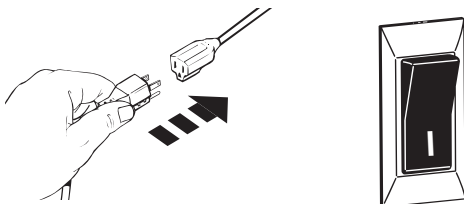
4. Place a full container of spraying material underneath the suction tube **(a)**. Secure the return tube **(b)** into a waste container.



5. Turn the pressure control dial to maximum pressure (+). Turn the PRIME/SPRAY knob to PRIME.

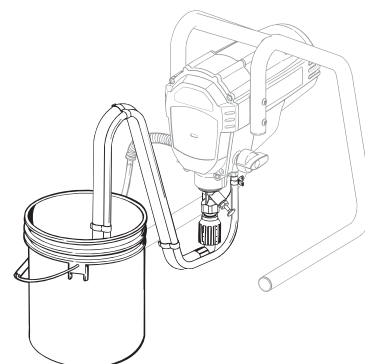


6. Plug in the sprayer and move the ON/OFF switch to the ON (I) position.



The unit will begin to draw material up the suction tube, into the pump, and out the return tube. Let the unit cycle long enough to remove test fluid from the pump, or until spray material is flowing from the return tube.

7. Switch the pump OFF (O). Remove the return tube from the waste container and place it in its operating position above the container of spraying material. Use the metal clip to bind the two hoses together.

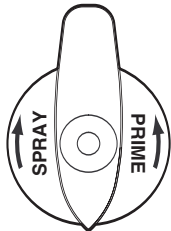




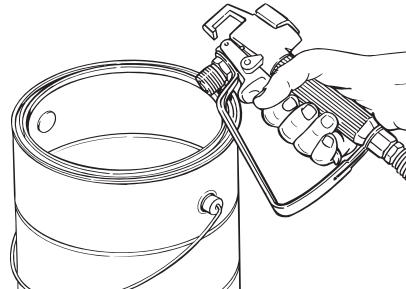
# Purging and Priming the Spray Hose

1. Unlock the spray gun and turn the PRIME/SPRAY knob to PRIME.

The spray tip **SHOULD NOT** be attached to the spray gun when purging the spray hose.



2. **PULL** the trigger and aim the spray gun at the side wall of a waste container. **If using oil-based materials, the spray gun must be grounded while purging (see warning below).**



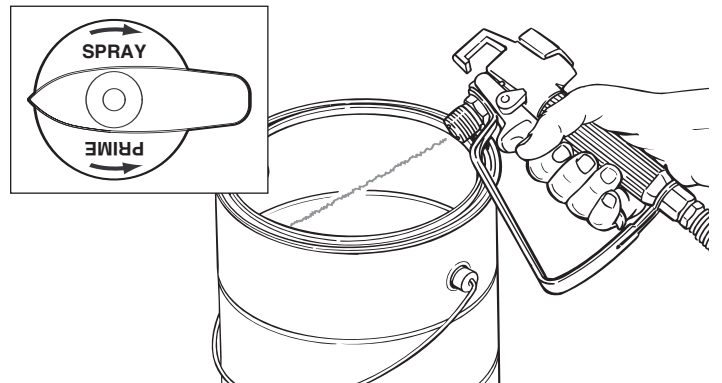
Keep hands clear from fluid stream.

Ground the gun by holding it against the edge of a metal container while flushing. Failure to do so may lead to a static electric discharge which may cause a fire.

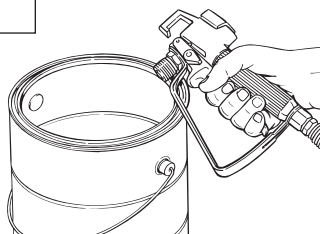
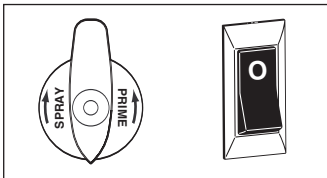
3. While pulling the trigger, switch the pump ON (I), **AND** turn the PRIME/SPRAY knob to SPRAY. **Hold the trigger until all air, water, or solvent is purged from the spray hose and material is flowing freely.**



If the PRIME/SPRAY knob is still on SPRAY, there will be high pressure in the hose and spray gun until the PRIME/SPRAY knob is turned to PRIME.



4. Release trigger. Turn the PRIME/SPRAY knob to PRIME. Turn the pump OFF (O). Trigger the gun into the waste container to be sure that no pressure is left in the hose.



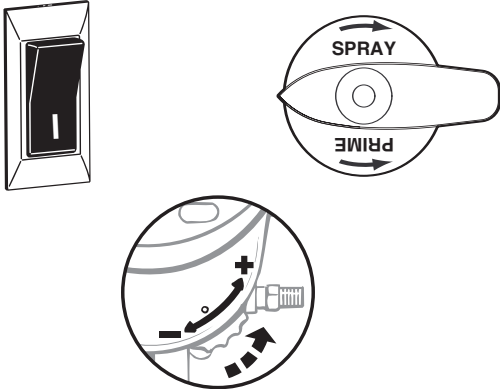
5. Lock the spray gun off. Thread the spray tip guard assembly onto the gun. Tighten by hand.



# Practice / Spraying Technique

**NOTE - Be sure that the paint hose is free of kinks and clear of objects with sharp cutting edges.**

1. Switch the pump ON (I). Turn the PRIME/SPRAY knob to SPRAY. Turn the pressure control dial to maximum pressure (+). The spray hose should stiffen as paint begins to flow through it.



2. When motor shuts off, unlock the spray gun and spray a test area to check the spray pattern.

**The motor will cycle on and off automatically as the pump needs pressure.**

**The pressure control dial can be adjusted up or down to achieve the desired spray pattern.**

Good spray pattern

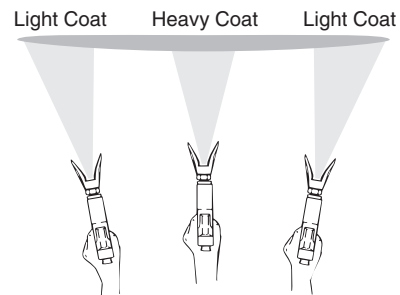


Paint tailing pattern  
(pressure too low,  
clogged tip)

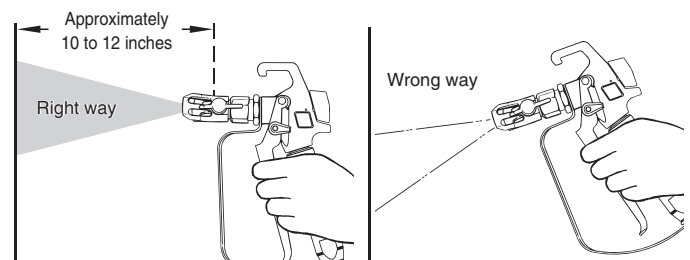


**The key to a good job is an even coating over the entire surface. This is done by using even strokes. Follow the TIPS, below.**

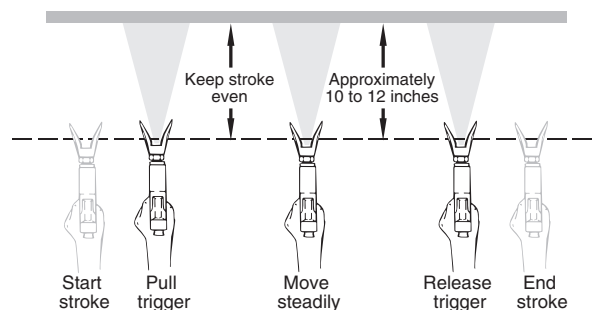
**Tip:** Keep the spray gun at right angles to the surface. This means moving your entire arm back and forth rather than just flexing your wrist.



**Tip:** Keep the spray gun perpendicular to the surface, otherwise one end of the pattern will be thicker than the other.



**Tip:** Trigger gun after starting the stroke. Release the trigger before ending the stroke. The spray gun should be moving when the trigger is pulled and released. **Overlap each stroke by about 30%. This will ensure an even coating.**



**If you expect to be away from your sprayer for more than one hour, follow the [Short-Term Storage instructions](#) (page 18).**

# Spraying Troubleshooting - Unclogging the Spray Tip

If the spray pattern becomes distorted or stops completely while the gun is triggered, follow these steps.

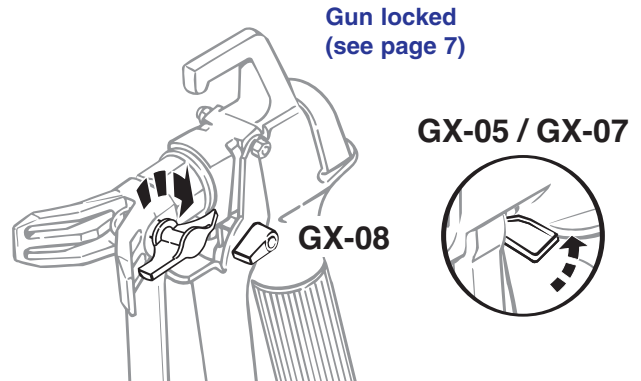
## **WARNING**

Do not attempt to unclog or clean the tip with your finger.

**NOTE** - Do not use a needle or other sharp pointed instrument to clean the tip. The hard tungsten carbide can chip.

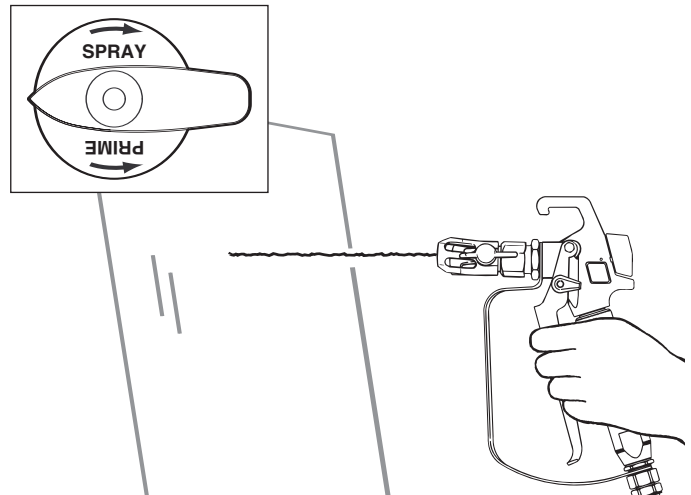
1. Release the trigger and lock the gun off (see page 7).  
Rotate the reversible tip arrow 180° so that the point of the arrow is toward the rear of the gun (CLEAN position).

**Under pressure, the spray tip may be very difficult to turn. Turn the PRIME/SPRAY knob to PRIME and trigger the gun. This will relieve pressure and the tip will turn more easily.**

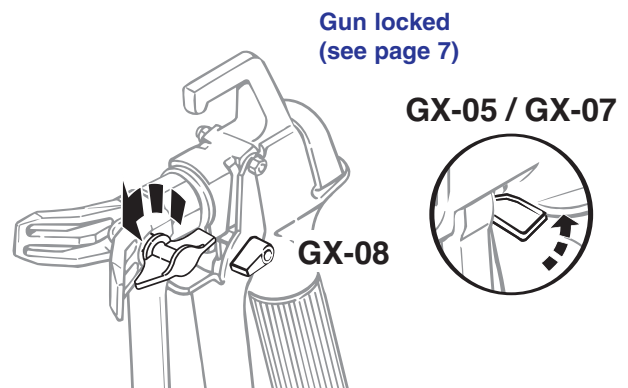


2. Turn the PRIME/SPRAY knob to SPRAY.
3. Unlock the gun and squeeze the trigger, pointing the gun at a scrap piece of wood or cardboard. This allows pressure in the spray hose to blow out the obstruction. When the nozzle is clean, material will come out in a straight, high pressure stream.

**If material still will not spray from the spray tip, follow the [Cleaning the spray gun filter instructions, page 12](#).**



4. Release the trigger and lock the gun off (see page 7).  
Reverse the tip so the arrow points forward again (SPRAY position). Unlock the gun and resume spraying.



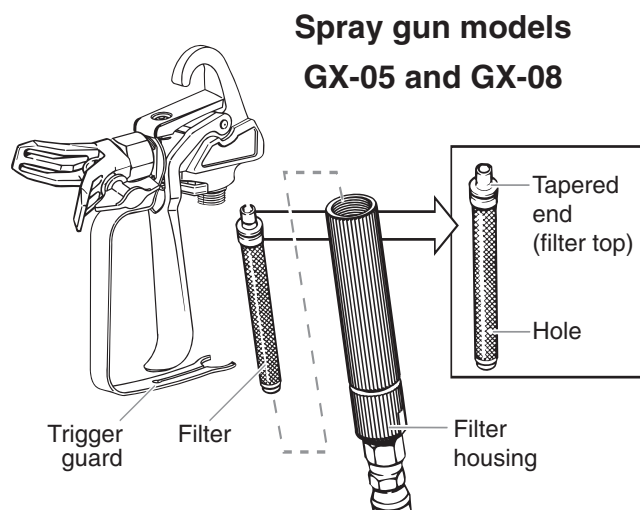
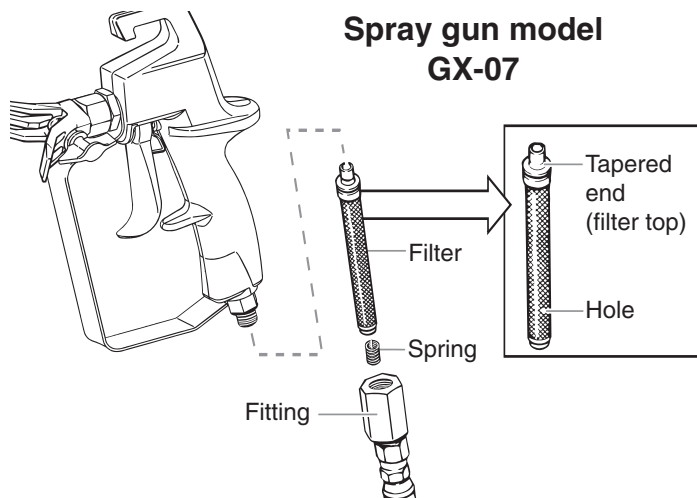
# Spraying Troubleshooting - Cleaning the Spray Gun Filter

The filter must be cleaned every time you use your sprayer. When using thicker spray materials, the filter might need to be cleaned more often.

1. Perform [Pressure Relief Procedure](#), page 7.
- 2a. **Model GX-07** - Unscrew the fitting from the bottom of the spray gun using an adjustable wrench, making sure not to lose the spring.
- 2b. **Models GX-05 and GX-08** - Unclip the trigger guard from the filter housing by pulling outward from the filter housing. Unscrew the filter housing.
3. Remove the filter from the spray gun housing and clean with the appropriate cleaning solution (warm, soapy water for latex paints, mineral spirits for oil-based materials).
4. Inspect the filter for holes (see inset, right). Replace if holes are found.

**NOTE - NEVER POKE THE FILTER WITH A SHARP INSTRUMENT!**

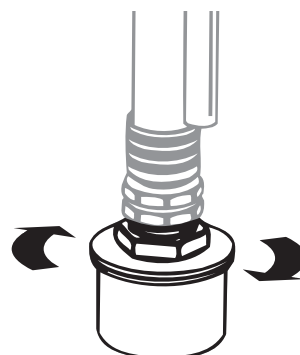
5. Replace the cleaned filter, tapered end first, into the gun housing. **The tapered end of the filter must be loaded properly into the gun. Improper assembly will result in a plugged tip or no flow from the gun.**
6. Reassemble the spray gun.



# Spraying Troubleshooting - Cleaning the Inlet Filter

The filter at the bottom of the suction tube may also need cleaning. Check it every time you change spray containers.

1. Remove the filter by unscrewing it from the suction tube. Clean the filter with the appropriate cleaning solution (warm, soapy water for latex materials, mineral spirits for oil-based materials).
2. Thread the filter back into place.



If after completing all of the steps in [Spraying Troubleshooting](#) you are still experiencing problems spraying, refer to the [Troubleshooting section](#) (page 22).

## Important Cleaning Notes!

Read these notes and warnings before you start to clean your sprayer!

- When using latex materials, clean your sprayer and components with water. When using oil-based materials, use mineral spirits.
- Do not use mineral spirits on latex materials, or the mixture will turn into a jelly-like substance which is difficult to remove.
- No matter which cleaning solution you use, make sure to dispose of it properly when finished cleaning your sprayer.
- Thorough cleaning and lubrication of the sprayer is the most important step you can take to ensure proper operation after storage.

**WARNING**



Special cleaning instructions for use with flammable solvents:

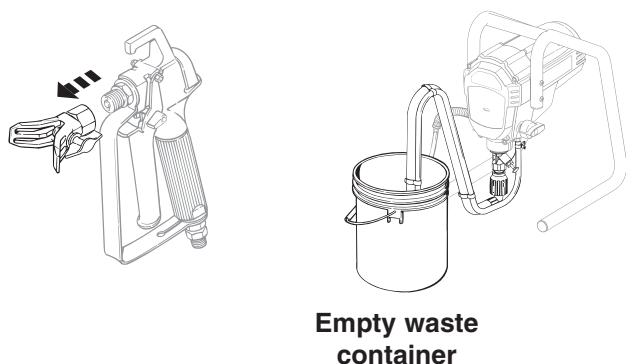
- **ALWAYS FLUSH SPRAY GUN AT LEAST ONE HOSE LENGTH AWAY FROM SPRAY PUMP.**
- If collecting flushed solvents in one gallon metal container, place it into an empty five gallon container, then flush.
- Area must be free from vapors.
- Follow all cleanup instructions.
- **DO NOT USE GASOLINE TO CLEAN YOUR SPRAYER.**

Call 1-800-880-0993 if you have any problems or questions regarding the cleaning of your sprayer.

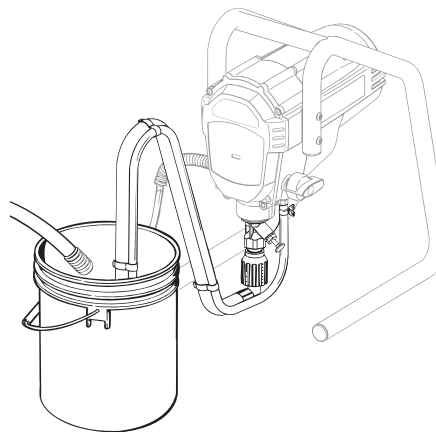
## Cleanup - Latex materials

Follow these steps if you used latex materials AND if you have a garden hose available. If you do not have a garden hose available, follow the Cleanup - Oil-Based Materials instructions.

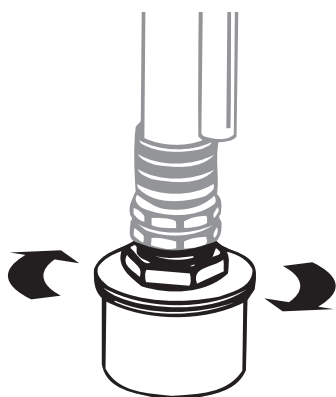
1. Lock the gun and remove the spray tip assembly. Place the suction tube and return tube into an empty waste container.



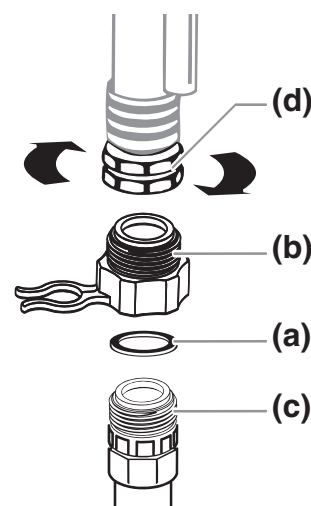
2. Using a garden hose, rinse off the suction tube, return tube and inlet filter. Empty the waste container.



3. Remove the inlet filter from the suction tube and place into the waste container.



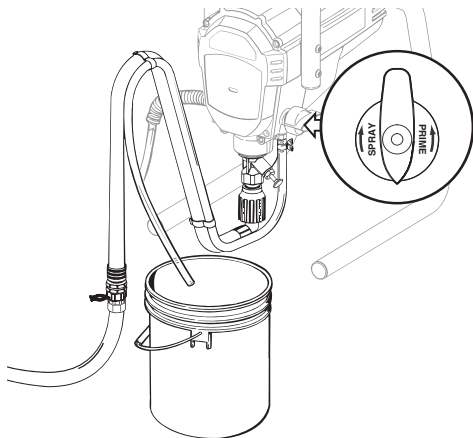
4. Verify that the seal is present inside the adapter (a) Thread the pump cleaning adapter (b) onto a garden hose (c). Connect hose and adapter to the fitting on the end of the suction tube (d).



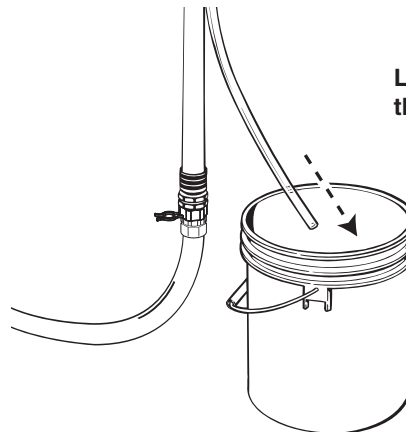
Continued on next page.

# Cleanup - Latex materials (continued)

5. Unclip the return tube from the suction tube and place it into the waste container. Turn the PRIME/SPRAY knob to PRIME.

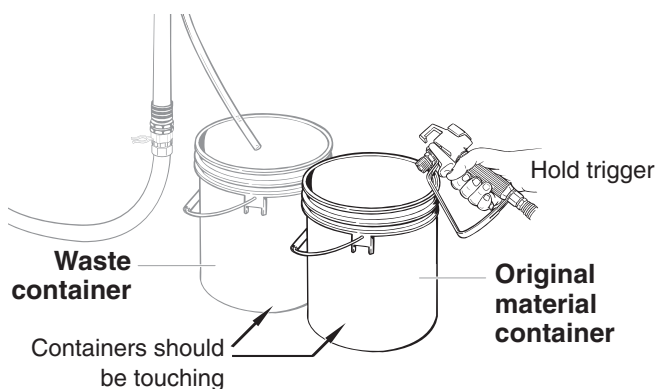


6. Turn water supply on. Turn pump ON (I). Water will go into the suction tube and out through the return tube. Let pump run for a few minutes to allow the return tube to be flushed.

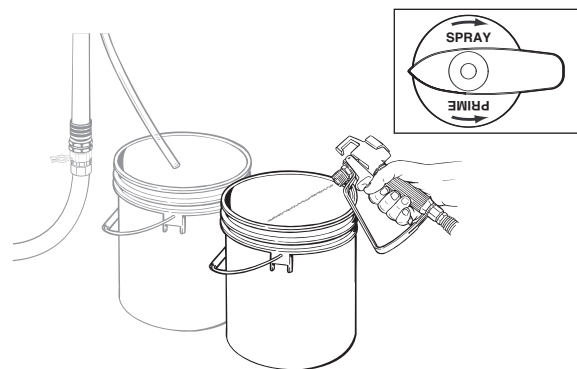


Leave pump running through steps 7 and 8.

7. Place the original material container next to the waste container. Aim the spray gun into the side of the **original material container** and hold the trigger.



8. While pulling the trigger, turn the PRIME/SPRAY knob to SPRAY to purge material from the hose back into the original container.

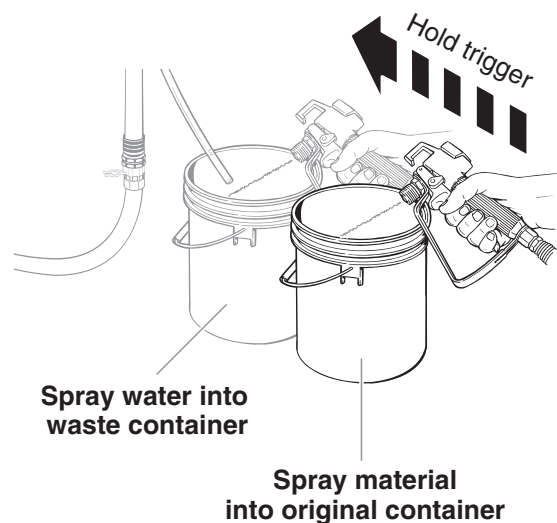


Keep holding trigger through next steps.

9. When cleaning solution flows from the spray gun, keep holding the trigger and aim the spray gun into the side of the waste container.

10. Trigger the gun until the fluid flowing out of the gun is clear. You may need to empty the waste container and continue flushing.

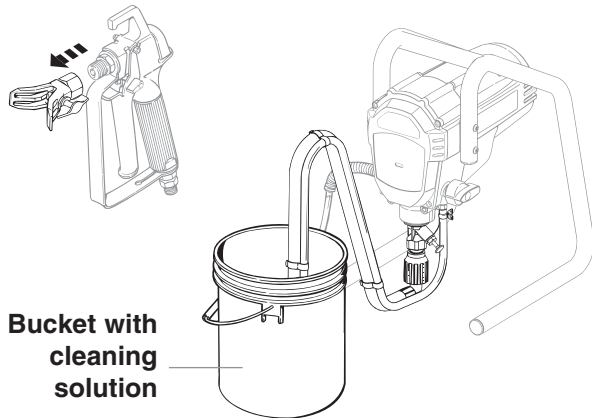
11. Turn the PRIME/SPRAY knob to PRIME and trigger gun to relieve pressure.



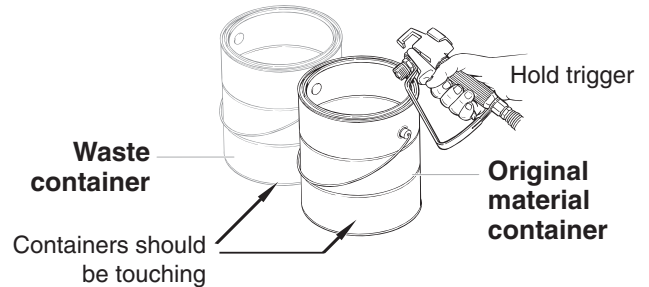
Move on to [Cleaning the Spray Gun Components](#)

# Cleanup - Oil-based materials

1. Lock the gun and remove spray tip assembly. Submerge suction set into a bucket with appropriate cleaning solution.

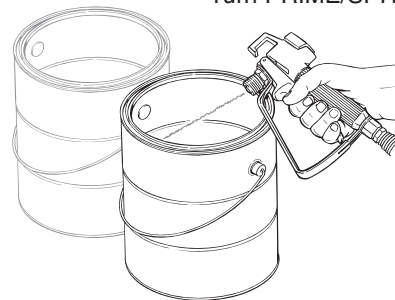


2. Place a waste container next to the original material container. Aim the spray gun into the side of the **original material container** and hold the trigger.



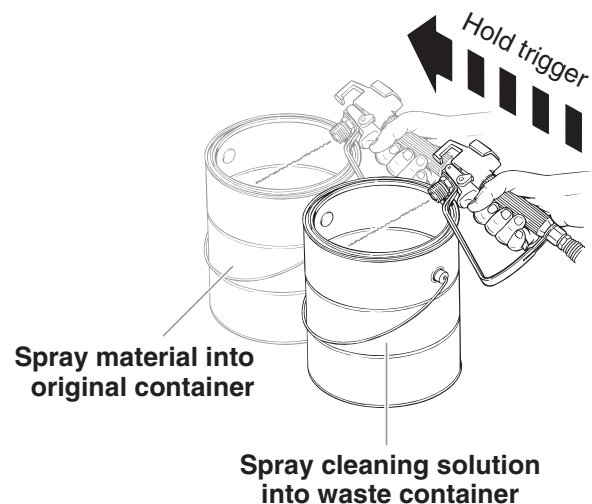
3. While pulling the gun trigger, turn the pump ON (I), and turn the PRIME/ SPRAY knob to SPRAY to purge material from the hose back into the original container.

- Hold trigger
- Turn pump ON (I)
- Turn PRIME/SPRAY knob to SPRAY



Keep holding trigger through next steps.

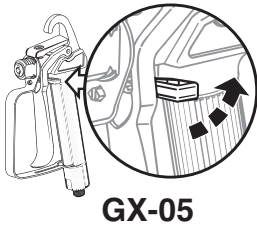
4. When cleaning solution flows from the spray gun, keep holding the trigger and aim the spray gun into the side of the waste container (**ground gun with a metal container if flushing with flammable solvent**).
5. Trigger the gun until the fluid flowing out of the gun is clear. You may need to dispose and obtain new cleaning solution.
6. Turn the PRIME/SPRAY knob to PRIME and trigger gun to relieve pressure.



Move on to [Cleaning the Suction Set](#).

# Cleanup - Cleaning the Suction Set

1. Lock the gun and turn the pump OFF (O).



GX-05



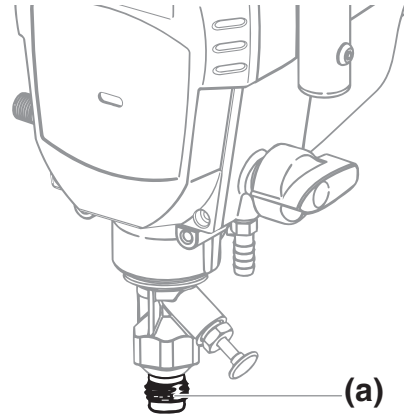
GX-07



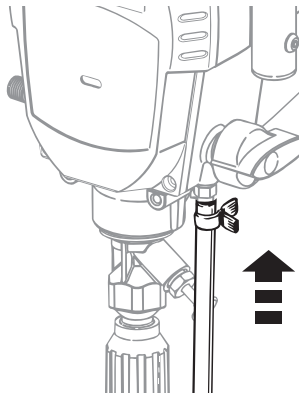
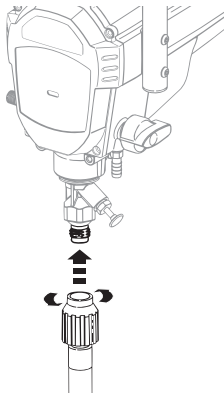
GX-08



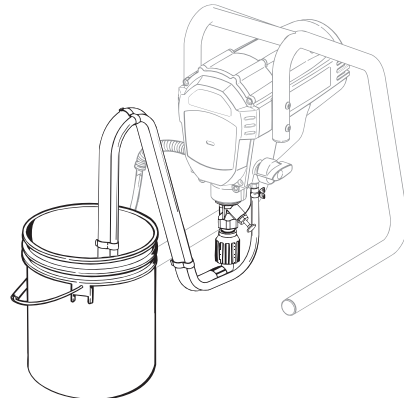
2. Remove the suction hose and return tube and clean it using the appropriate cleaning solution. You should also wipe the threads of the inlet nut (a) and remove and clean the inlet filter of the suction tube.



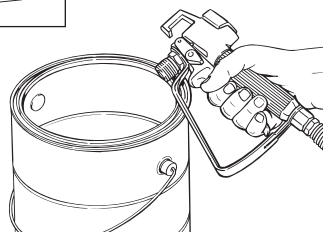
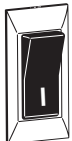
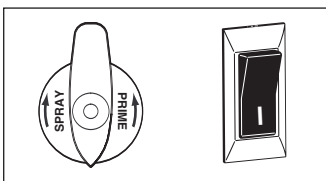
3. When suction set is clean, thread the suction tube back into the inlet valve, and replace the return tube onto the return tube fitting. Replace clip.



4. Submerge the suction set into a bucket of **NEW** cleaning solution.



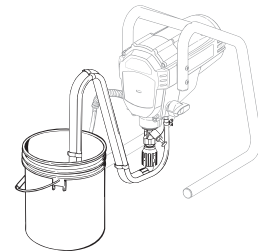
5. Turn the PRIME/SPRAY knob to PRIME. Turn the pump ON (I), and trigger the gun **once** into a waste container to relieve pressure.



6. Let the pump circulate cleaning solution through the suction set for 2-3 minutes. Turn the pump OFF.



2 to 3  
minutes



## IMPORTANT!

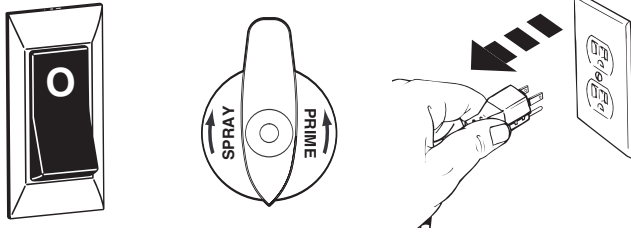
If you used oil-based materials, you must flush the pump again using water to prepare it for storage. Repeat #1 - #11 in Cleanup- Latex materials, instructions.

Move on to [Cleaning the Spray Gun Components](#).

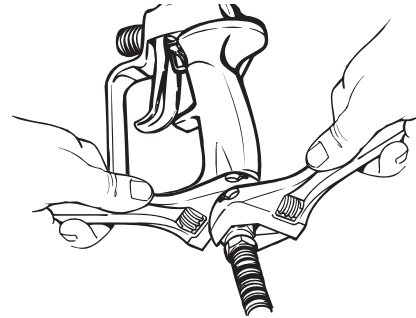


# Cleanup - Cleaning the Spray Gun Components

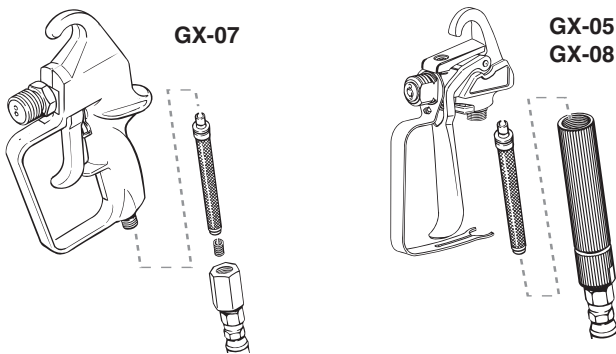
1. Make sure the pump is switched OFF (O). Make sure the PRIME/SPRAY knob is turned to PRIME. Unplug the sprayer.



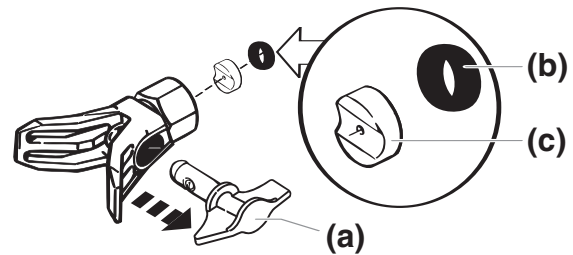
2. Remove spray gun from the paint hose using adjustable wrenches.



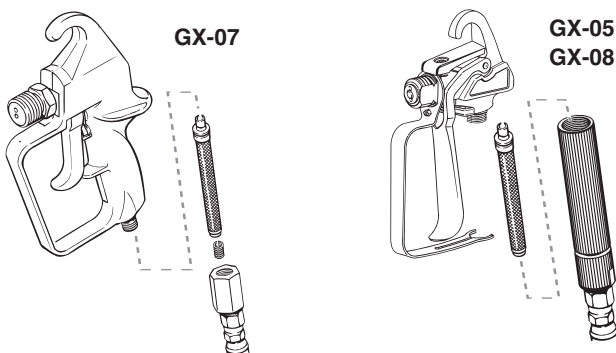
3. Remove filter from spray gun (refer to **Cleaning the Spray Gun Filter**, page 12).



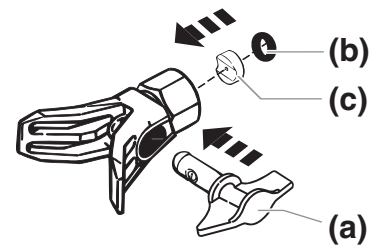
4. Remove spray tip (a) from spray guard assembly. Clean spray tip with a soft-bristled brush and the appropriate cleaning solution. Be sure to remove and clean the washer (b) and saddle seat (c) located in the rear of the spray tip assembly.



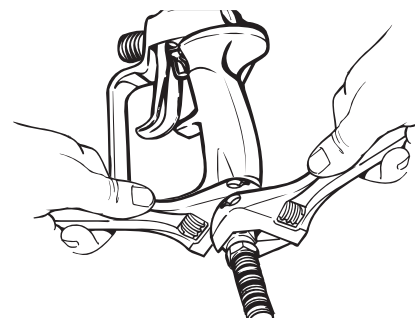
5. Install gun filter tapered-end first. Reassemble spray gun.



6. Install spray tip (a), saddle seat (c) and washer (b), and replace spray guard assembly.



7. Thread the spray gun back onto the paint hose. Tighten with a wrench.

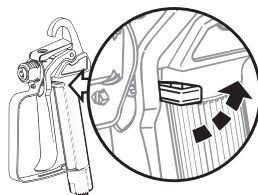


# Short-Term Storage (up to 16 hours)

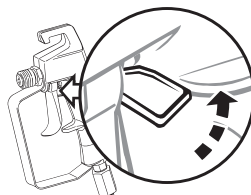
Follow these steps when using latex materials only. If using materials that are oil-based, follow the Cleanup - Oil-based materials and Long-Term Storage steps.

## Shutdown

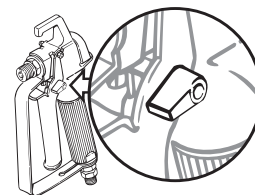
1. Lock the spray gun off.



GX-05

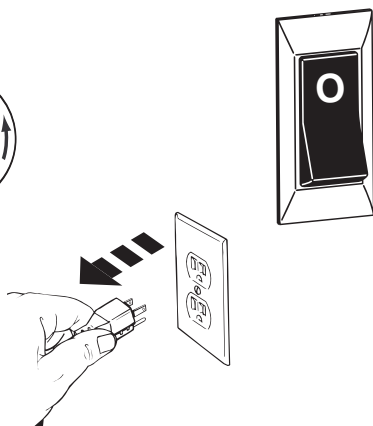
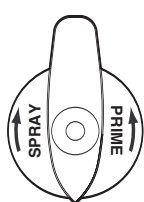


GX-07

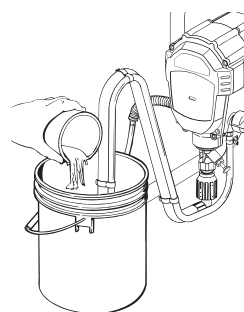


GX-08

2. Turn the PRIME/SPRAY knob to PRIME. Switch the pump OFF (O). Unplug the sprayer.

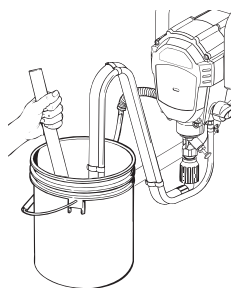


3. Pour 1/2 cup water slowly on the top of the paint to prevent the paint from drying. Wrap the spray gun assembly in a damp cloth and place it in a plastic bag. Seal the bag shut. Place the sprayer in a safe place out of the sun for short-term storage.

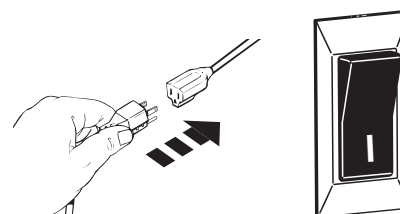
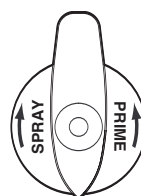


## Startup

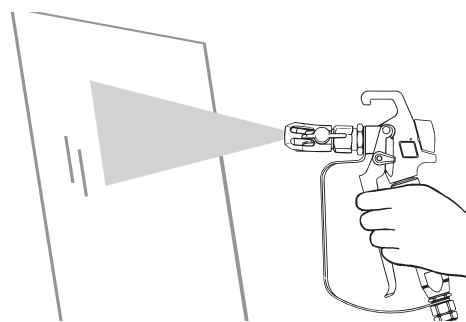
1. Remove the gun from the plastic bag. Stir the water into the paint.



2. Turn the PRIME/SPRAY knob to PRIME. Plug sprayer in. Turn the switch to ON (I).



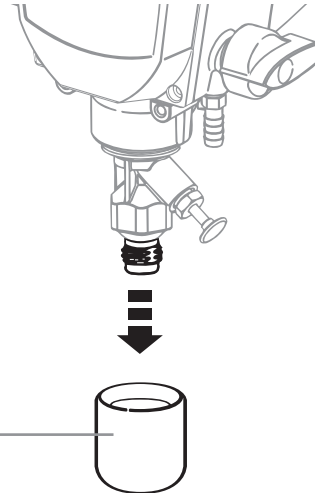
3. Turn the PRIME/SPRAY knob to SPRAY. Test the sprayer on a practice piece and resume spraying.



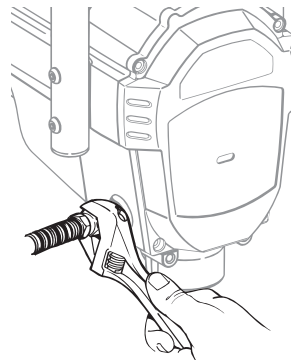
# Long-Term Storage

Follow these instructions only after all cleanup steps have been performed.

1. Fill a cup or other container with separating oil (approximately 2 ounces) supplied with the unit and submerge the inlet valve into the oil. Light household oil can be substituted.
2. Place a rag over the spray hose port, and turn the switch ON (I). When the oil has been sucked from the cup, turn the pump OFF (O).

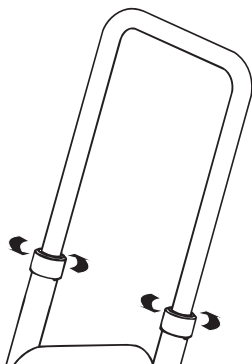


3. Wipe the entire unit, hose and gun with a damp cloth to remove accumulated paint. Replace the high pressure hose to the paint hose port.

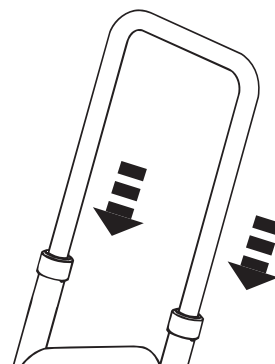


If you have a cart model (9146, 9150, 9170, 9190), you can collapse the cart handle for easier storage.

1. Twist the knobs on either side of the cart **counterclockwise**.



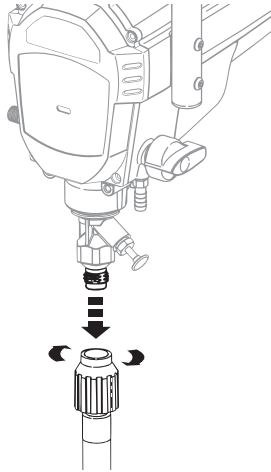
2. Slide the handle into the cart.



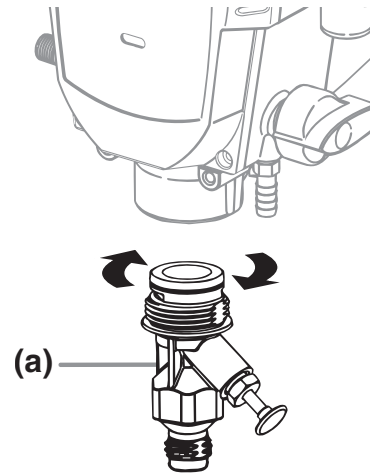
# Cleaning the Inlet Valve

Cleaning or servicing the inlet valve may be required if the unit has priming problems. Priming problems may be prevented by properly cleaning the sprayer and following the long-term storage steps.

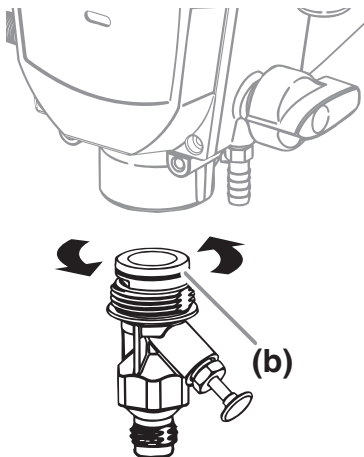
1. Remove the suction set.



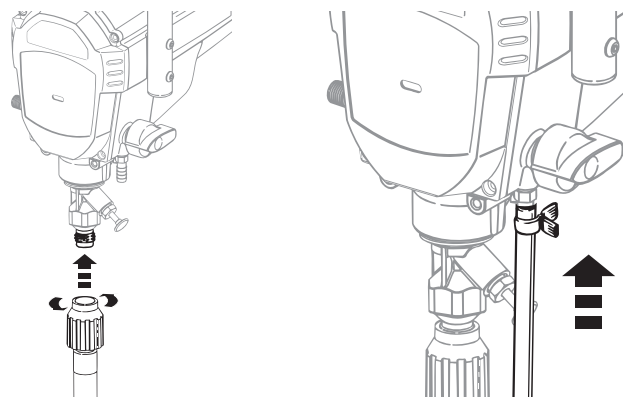
2. Unscrew the **inlet valve assembly (a)** from the sprayer. Visually inspect the inside and outside of the inlet valve assembly. Clean any paint residue with the appropriate cleaning solution.



3. Lubricate the O-ring on the inlet valve **(b)**. Replace inlet valve assembly by screwing it into the sprayer. Torque to 23-27 ft lbs (9140, 9146, 9150) or 32-38 ft lbs (9170, 9190).



4. Replace suction set and hand-tighten.



If priming problems persist, you may need to replace the inlet valve assembly. Call Customer Service to order a new inlet valve assembly.

# Fluid Section Seal Replacement Instructions

Kit Part Number 0512228A (9140S, 9146, 9150)

Kit Part Number 0516725 (9170, 9190)



**WARNING**



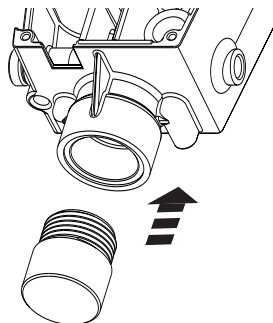
Always wear protective eye wear while servicing the pump. Be sure to follow the [Pressure Relief Procedure \(page 7\)](#) when shutting the unit down for any purpose, including servicing or adjusting. After performing the [Pressure Relief Procedure](#), be sure to unplug the unit before servicing or adjusting. Area must be free of solvents and paint fumes.

## Disassembly of the Fluid Section

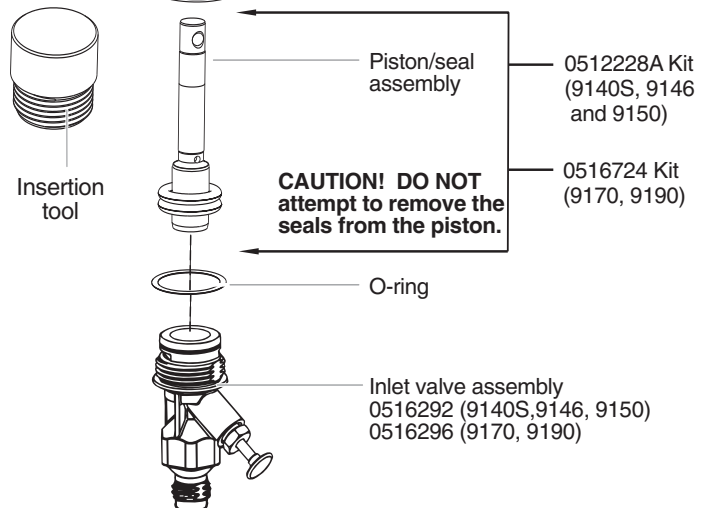
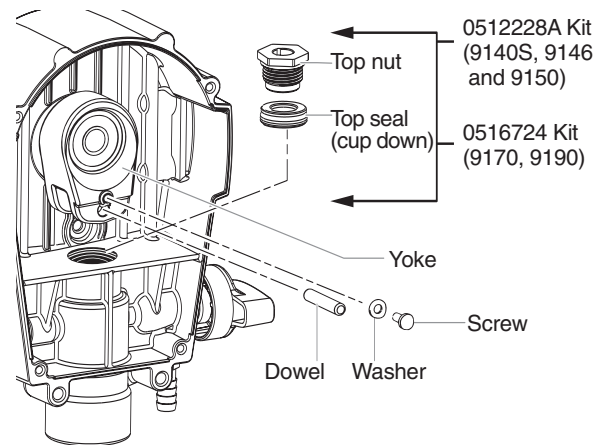
1. Remove the suction set.
2. Remove the front cover and the four screws that secure it using a T20 Torx head driver.
3. Remove the yoke screw and washer that secures the dowel pin. The dowel pin connects the yoke to the piston.
4. Using a pliers, pull the dowel pin out.
- 5a. **For models 9140S, 9146, and 9150**, rotate the pump shaft so the piston is in the top dead center position. This can be done by pushing on the yoke. This is required to disassemble all the parts.
- 5b. **For models 9170 and 9190**, inspect the yoke assembly and piston. In order to remove all the necessary parts, the piston must not be in the bottom dead center position. If the piston is at the bottom of the stroke, install the front cover and screws, turn the pump on briefly to index the piston, unplug the unit, and repeat step 2.
6. Unscrew and remove the inlet valve assembly ([see page 20](#)).
7. Remove the piston assembly by pushing down on the piston near the yoke.
8. Unscrew and remove the top nut using an adjustable wrench.
9. Remove the worn seals using a flat head screwdriver or punch. Remove the top seal from the top and the bottom seal from the bottom by pressing against the side of the seal and popping it out. Be sure not to scratch the housing where the seals are located.
10. Clean the area where the new seals are to be installed.

## Assembly of the Fluid Section

1. Lubricate the new top seal with Separating Oil (P/N 0516913) or light household oil and by hand place the seal (cup side of seal down) into the top port of the housing.
2. Place a small amount of anti-seize on the threads of the top nut. Place the top nut into the top of the housing and tighten with an adjustable wrench. This will drive the top seal into the correct position.
3. Turn the pump upside down. Lubricate the seal on the piston/seal assembly similar to the top seal. Place the piston/seal assembly into the bottom of the housing. Insert the plastic insertion tool and thread into position to properly seat the piston/seal. Thread fully until tight. Remove the insertion tool.
4. Install the new O-ring on the inlet valve assembly, lubricate with Separating Oil (P/N 0516913), thread into the bottom



- (inlet) of the housing, and tighten with an adjustable wrench. This will drive the bottom seal into the correct position.
5. Align the piston with the yoke. Be careful not to damage the piston.
6. Apply a lithium grease to the holes in the yoke where the dowel is inserted.
7. Install the dowel pin to connect the yoke to the piston. The piston may have to be moved up or down to do this. The inlet valve may need to be removed again to move the piston.
8. Install the yoke screw and washer to secure the dowel pin.
9. Turn pump right side up and apply a few drops of Separating Oil or light household oil between the top nut and piston. This will prolong the seal life.
10. Install front cover and four (4) screws.
11. Replace inlet valve. Install the suction set.



# Troubleshooting / Maintenance

Problem	Cause	Solution
A. The sprayer does not start.	<ol style="list-style-type: none"> <li>1. The sprayer is not plugged in.</li> <li>2. The ON/OFF switch is set to OFF.</li> <li>3. The sprayer was turned off while still under pressure.</li> <li>4. No voltage is coming from the wall plug.</li> <li>5. The extension cord is damaged or has too low a capacity.</li> <li>6. A fuse is blown in the sprayer.</li> <li>7. There is a problem with the motor.</li> </ol>	<ol style="list-style-type: none"> <li>1. Plug the sprayer in.</li> <li>2. Turn the ON/OFF switch to ON.</li> <li>3. Turn the pressure control knob to maximum pressure (+), or relieve pressure by turning the PRIME/SPRAY valve to PRIME.</li> <li>4. Properly test the power supply voltage.</li> <li>5. Replace the extension cord.</li> <li>6. Take sprayer to Authorized Service Center.</li> <li>7. Take sprayer to Authorized Service Center.</li> </ol>
B. The sprayer starts but does not draw in paint when the PRIME/SPRAY knob is set to PRIME.	<ol style="list-style-type: none"> <li>1. The paint bucket is empty or the suction tube is not totally immersed in the paint.</li> <li>2. The suction set is clogged.</li> <li>3. The suction tube is loose at the inlet valve.</li> <li>4. The inlet valve is stuck.</li> <li>5. The outlet valve is stuck.</li> <li>6. The inlet valve is worn or damaged.</li> <li>7. The PRIME/SPRAY valve is plugged.</li> </ol>	<ol style="list-style-type: none"> <li>1. Refill the bucket or immerse the suction tube in paint.</li> <li>2. Clean the suction set.</li> <li>3. Clean the tube connection and tighten it securely.</li> <li>4. Clean the inlet valve. Inlet may be stuck from old paint. Depress pusher stem to release.</li> <li>5. Outlet may be stuck from old paint. Remove inlet valve. Insert pen or pencil in housing to release.</li> <li>6. Replace the inlet valve.*</li> <li>7. Take sprayer to Authorized Service Center.</li> </ol>
C. The sprayer draws up paint but the pressure drops when the gun is triggered.	<ol style="list-style-type: none"> <li>1. The spray tip is worn.</li> <li>2. The suction set screen is clogged.</li> <li>3. The gun filter is plugged.</li> <li>4. The paint is too heavy or coarse.</li> <li>5. The inlet valve assembly is damaged or worn.</li> <li>6. The suction tube is loose.</li> </ol>	<ol style="list-style-type: none"> <li>1. Replace the spray tip with a new tip.**</li> <li>2. Clean the suction set screen.</li> <li>3. Clean or replace the proper filter. Always keep extra filters on hand.</li> <li>4. Thin or strain the paint.</li> <li>5. Replace the inlet valve.*</li> <li>6. Tighten the suction tube.</li> </ol>
D. The PRIME/SPRAY valve is on SPRAY and there is flow through the return tube.	<ol style="list-style-type: none"> <li>1. The PRIME/SPRAY valve is dirty or worn.</li> </ol>	<ol style="list-style-type: none"> <li>1. Take sprayer to Authorized Service Center.</li> </ol>
E. The spray gun leaks.	<ol style="list-style-type: none"> <li>1. Internal parts of the gun are worn or dirty.</li> </ol>	<ol style="list-style-type: none"> <li>1. Take the sprayer to a Authorized Service Center.</li> </ol>
F. The tip guard assembly leaks.	<ol style="list-style-type: none"> <li>1. The tip was assembled incorrectly.</li> <li>2. The washer is worn.</li> </ol>	<ol style="list-style-type: none"> <li>1. Check the tip assembly and assemble properly (<b>see page 17</b>).</li> <li>2. Replace the washer* (<b>see page 17</b>).</li> </ol>
G. The spray gun will not spray.	<ol style="list-style-type: none"> <li>1. The spray tip or the gun filter is plugged.</li> <li>2. The spray tip is not fully in the SPRAY position.</li> </ol>	<ol style="list-style-type: none"> <li>1. Clean the spray tip or gun filter.</li> <li>2. Put the tip in the SPRAY position.</li> </ol>
H. The paint pattern is tailing.	<ol style="list-style-type: none"> <li>1. The pressure is set too low.</li> <li>2. The gun or the suction filter is plugged.</li> <li>3. The suction tube is loose at the inlet valve.</li> <li>4. The tip is worn.</li> <li>5. The paint is too thick.</li> <li>6. Pressure loss.</li> </ol>	<ol style="list-style-type: none"> <li>1. Increase the pressure.</li> <li>2. Clean the filters.</li> <li>3. Tighten the suction tube fitting.</li> <li>4. Replace the spray tip.</li> <li>5. Thin the paint.</li> <li>6. Refer to Causes and Solutions for problem C.</li> </ol>

\* Special repair kits with instructions are available for these procedures. Refer to the [Maintenance](#) section of this manual for a list of the kits and their part numbers.

\*\* Additional parts are available for this procedure. Refer to the [Accessories \(page 71\)](#) section of this manual for a list of the parts and their part numbers.

## Daily Maintenance

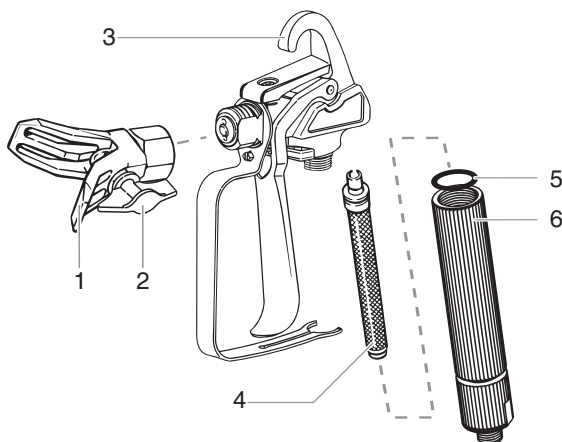
The only daily maintenance necessary is thorough cleaning and lubricating after usage. Follow the cleaning and lubricating procedures in this manual.

## Extended Maintenance

Some pump parts eventually wear out from use and must be replaced. The following list indicates the available repair kits for the parts replaced by each kit. However, pump performance is the only reliable indicator of when to replace wear parts. Refer to the [Troubleshooting](#) section for more information on when to use these kits.

Kit Part #	Description
0512228A	Fluid Section Seal Kit (9140S, 9146, 9150)
0516724	Fluid Section Seal Kit (9170, 9190)
0516292	Inlet valve kit (9140S, 9146, 9150)
0516296	Inlet valve kit (9170, 9190)

# Parts List • Liste de pièces • Lista de piezas



English

## Model GX-05 spray gun

Item	Part #	Description	Quantity
1	0501011	Guard Assembly .....	1
2	0501415	Tip, 415.....	1
3	0516115	Complete gun assembly .....	1
4	0515220	Filter (yellow) .....	1
5	0515332	Seal.....	1
6	0515329	Filter housing .....	1

Français

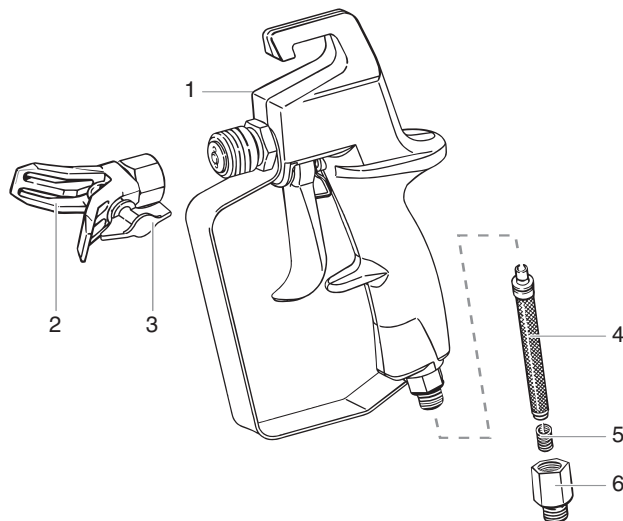
## Modèle du pistolet GX-05

Article	N° de pièce	Description	Quantité
1	0501011	Protège-embout et ses composants .1	1
2	0501415	Embout, 415.....	1
3	0516115	Pistolet et ses composants .....	1
4	0515220	Filtre, maille 100 (jaune) .....	1
5	0515332	Joint d'étanchéité .....	1
6	0515329	Logement de filtre .....	1

Español

## Modelo de pistola GX-05

Artículo	Pieza#	Descripción	Cantidad
1	0501011	Ensamble de protección .....	1
2	0501415	Boquilla, 415 .....	1
3	0516115	Ensamble de la pistola.....	1
4	0515220	Filtro, malla 100 (amarillo) .....	1
5	0515332	Sello .....	1
6	0515329	Alojamiento de filtro .....	1



English

## Model GX-07 spray gun

Item	Part #	Description	Quantity
1	0512127	Complete gun assembly (9146, 9150)...	1
	0515272	Complete gun assembly (9170).....	1
2	0501011	Guard Assembly .....	1
3	0501415	Tip, 415 .....	1
4	0515220	Filter, 9150 (yellow) .....	1
	0515252	Filter, 9170 (white) .....	1
5	0043590	Spring .....	1
6	0278357	Cap, filter housing.....	1

Français

## Modèle du pistolet GX-07

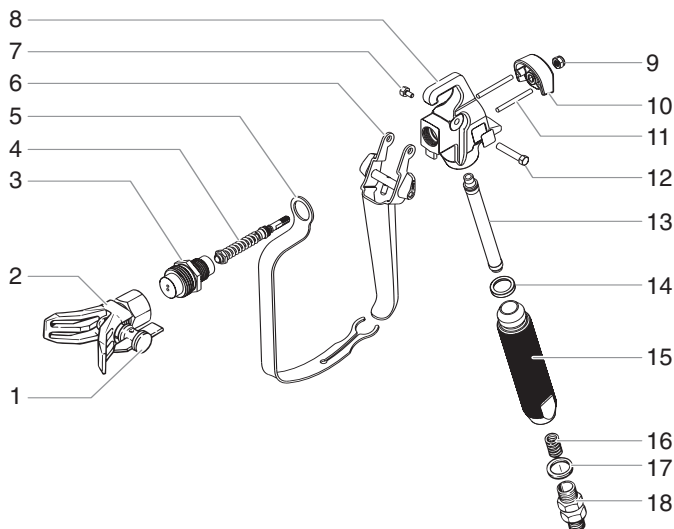
Article	N° de pièce	Description	Quantité
1	0512127	Pistolet et ses composants (9146, 9150) .1	1
	0515272	Pistolet et ses composants (9170)....	1
2	0501011	Protège-embout et ses composants .1	1
3	0501415	Embout, 415.....	1
4	0515220	Filtre, 9150 (jaune) .....	1
	0515252	Filtre, 9170 (blanc).....	1
5	0043590	Ressort.....	1
6	0278357	Capuchon, logement de filtre.....	1

Español

## Modelo de pistola GX-07

Artículo	Pieza#	Descripción	Cantidad
1	0512127	Ensamble de la pistola (9146, 9150) ...	1
	0515272	Ensamble de la pistola (9170) .....	1
2	0501011	Ensamble de protección .....	1
3	0501415	Boquilla, 415 .....	1
4	0515220	Filtro, 9150 (amarillo) .....	1
	0515252	Filtro, 9170 (blanco) .....	1
5	0043590	Resorte.....	1
6	0278357	Tapa, alojamiento de filtro .....	1

# Parts List • Liste de pièces • Lista de piezas



## English

### Model GX-08 spray gun

Item	Part #	Description	Quantity
1	0501517	Tip, 517 .....	1
2	0501011	Guard assembly .....	1
3	0296261	Diffuser, 7/8" .....	1
4	0296270	Valve spring unit .....	1
5	0296230	Trigger guard .....	1
6	0296285	Trigger assembly .....	1
7	0296284	Trigger screw (short) .....	1
8	0296228	Gun housing .....	1
9	9910201	Hex nut .....	1
10	0296222	Retainer block .....	1
11	0296286	Sliding pin .....	2
12	0296287	Trigger screw (long) .....	1
13	0515252	Filter, white .....	1
14	0296289	Washer .....	1
15	0296342	Handle .....	1
16	0043590	Spring .....	1
17	9970114	Sealing ring .....	1
18	0296301	Fitting .....	1

## Français

### Modèle du pistolet GX-08

Article N° de pièce	Description	Quantité
1	Embout, 517 .....	1
2	Protège-embout .....	1
3	Diffuseur, 2,2 cm .....	1
4	Ressort de soupape .....	1
5	Protège-doigts .....	1
6	Détente et ses composants .....	1
7	Vis de détente (courte) .....	1
8	Corps du pistolet .....	1
9	Écrou hexagonal .....	1
10	Bloc de retenue .....	1
11	Cheville coulissante .....	2
12	Vis de détente (longtemps) .....	1
13	Filtre (blanc) .....	1
14	Rondelle .....	1
15	Poignée .....	1
16	Ressort .....	1
17	Bague d'étanchéité .....	1
18	Raccord .....	1

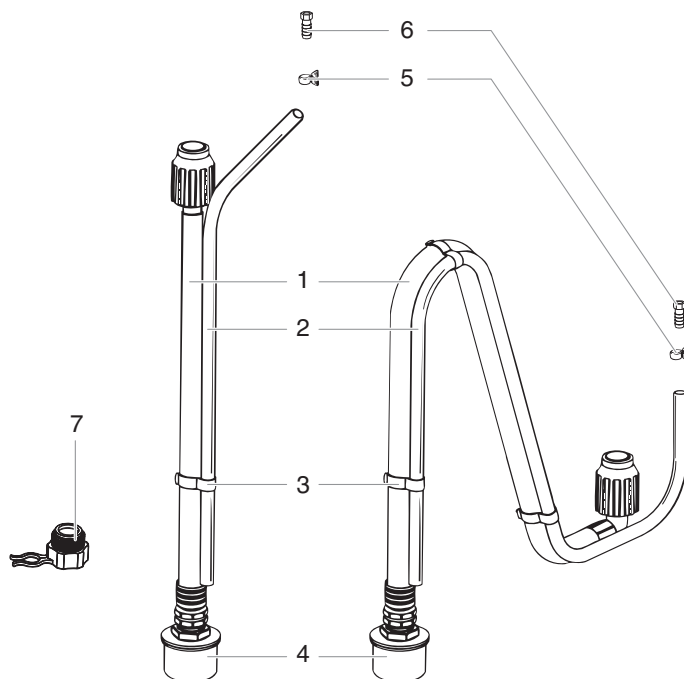
## Español

### Modelo de pistola GX-08

Artículo	Pieza#	Descripción	Cantidad
1	0501517	Boquilla, 517 .....	1
2	0501011	Ensamble de la protección .....	1
3	0296261	Difusor 7/8" .....	1
4	0296270	Unidad del resorte de la válvula .....	1
5	0296230	Protector del gatillo .....	1
6	0296285	Ensemble del gatillo .....	1
7	0296284	Tornillo del gatillo (corto) .....	1
8	0296228	Alojamiento de la pistola .....	1
9	9910201	Tuerca hexagonal .....	1
10	0296222	Bloque de retención .....	1
11	0296286	Pasador deslizante .....	2
12	0296287	Tornillo del gatillo (de largo) .....	1
13	0515252	Filtro (blanco) .....	1
14	0296289	Arandela .....	1
15	0296342	Mango .....	1
16	0043590	Resorte .....	1
17	9970114	Aro sellador .....	1
18	0296301	Ensemble del collarín .....	1



# Parts List • Liste de pièces • Lista de piezas



## English

### Suction set

Item	Part #	Description	Quantity
1	0516219	Suction set (9140S) .....	1
	0516218	Suction set (all cart models) .....	1
2	0512371	Return tube (9140S) .....	1
	0512389	Return tube (all cart models) .....	1
3	0512390	Clip .....	1
4	0516284	Filter .....	1
5	0327226	Squeeze clip .....	1
6	9885553	Return tube fitting .....	1
7	0515146	Pump cleaning adapter .....	1

## Español

### Juego de succión

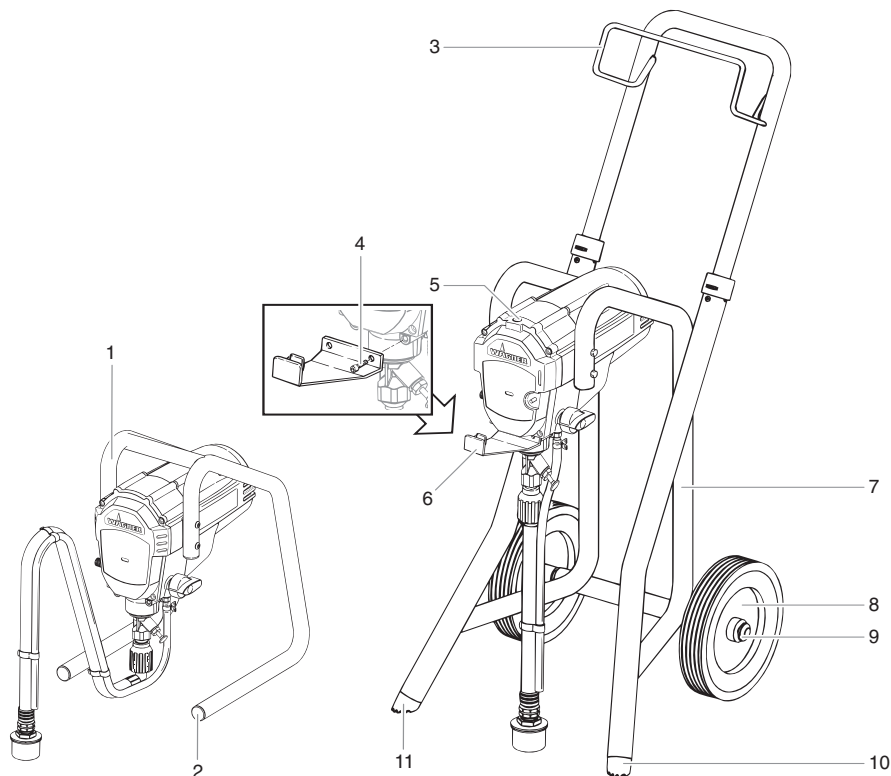
Article	Pieza#	Descripción	Cantidad
1	0516219	Ensamble del juego de succión (9140S) .....	1
	0516218	Ensamble del juego de succión (modelos de carrito) .....	1
2	0512371	Tubo de retorno (9140S) .....	1
	0512389	Tubo de retorno (modelos de carrito) .....	1
3	0512390	Abrazadera .....	1
4	0516284	Filtro .....	1
5	0327226	Abrazadera del apretón .....	1
6	9885553	Conector del tubo de retorno .....	1
7	0515146	Adaptador de limpieza de bomba .....	1

## Français

### Dispositif d'aspiration

Article	N° de pièce	Description	Quantité
1	0516219	Dispositif d'aspiration et ses composants (9140S) .....	1
	0516218	Dispositif d'aspiration et ses composants (modèles du chariot) .....	1
2	0512371	Tube de retour (9140S) .....	1
	0512389	Tube de retour (modèles du chariot) .....	1
3	0512390	Agrafe .....	1
4	0516284	Filtre .....	1
5	0327226	Agrafe de compression .....	1
6	9885553	Raccord de tube de retour .....	1
7	0515146	Adaptateur de nettoyage de pompe .....	1

# Parts List • Liste de pièces • Lista de piezas



## English

Item	Part #	Description	Quantity
1	0512336	Stand assembly (9140S)	1
2	9885546	Plug	4
3	0516516	Hose bracket (9146, 9150, 9170)	1
	0516517	Hose bracket (9190)	1
4	9805228	Pail bracket bolt	2
5	0516581	Oiler cap	1
6	0512355	Pail bracket	1
7	0516287	Cart assembly (9146, 9150)	1
	0516288	Cart assembly (9170)	1
	0516289	Cart assembly (9190)	1
8	0278369	Wheel (9146, 9150)	2
	0278370	Wheel (9170)	2
	0278373	Wheel (9190)	2
9	9890113	Wheel cap (9146, 9150, 9170)	2
	9890104	Wheel cap (9190)	2
10	0516498	Cap	1
11	0516505	Cap	1

## Français

Article	N° de pièce	Description	Quantité
1	0512336	Ensemble de support (9140S)	1
2	9885546	Bouchon	4
3	0516516	Support de flexible (9150, 9170)	1
	0516517	Support de flexible (9190)	1
4	9805228	Boulon de support de contenant	2
5	0516581	Bouchon de graisseur	1
6	0512355	Support de contenant	1
7	0516287	Chariot (9146, 9150)	1
	0516288	Chariot (9170)	1
	0516289	Chariot (9190)	1
8	0278369	Roue (9150)	2
	0278370	Roue (9170)	2
	0278373	Roue (9190)	2
9	9890113	Capuchon de roue (9146, 9150, 9170)	2
	9890104	Capuchon de roue (9190)	2
10	0516498	Capuchon	1
11	0516505	Capuchon	1

## Español

Artículo	Pieza#	Descripción	Cantidad
1	0512336	Ensamblaje de banco (9140S)	1
2	9885546	Enchufe	4
3	0516516	Soporte de manguera (9146, 9150, 9170)	1
	0516517	Soporte de manguera (9190)	1
4	9805228	Perno del soporte del bote	2
5	0516581	Tapa de lubricador	1
6	0512355	Soporte para el bote	1

Artículo	Pieza#	Descripción	Cantidad
7	0516287	Carrito (9146, 9150)	1
	0516288	Carrito (9170)	1
	0516289	Carrito (9190)	1
8	0278369	Rueda (9146, 9150)	2
	0278370	Rueda (9170)	2
	0278373	Rueda (9190)	2
9	9890113	Tapa de rueda (9146, 9150, 9170)	2
	9890104	Tapa de rueda (9190)	2
10	0516498	Tapa	1
11	0516505	Tapa	1

# Accessories • Accessoires • Accesorios

## English

Part #	Description
0516913	Separating Oil
0154830	Hose, Whip End, 5' x 3/16"
0270192	Hose, Wireless, 25' x 1/4"
0291000	Hose, Wireless, 50' x 1/4"
0279667	Hose Connector, 1/4" x 1/4"
0088154	Pressure Gauge
0508910	Tip Extension, 12"
0508914	Tip Extension, 24"
0515262	Power Roller Gun Attachment
0152308	9" Roller Cover, 3/8" Nap
0155208	9" Roller Cover, 3/4" Nap
0512181	GX-08 Four Finger Metal Airless Spray Gun
0512180	GX-07 Two Finger Metal Airless Spray Gun
0516115	GX-05 Airless Spray Gun
0512182N	GX-10 Two Finger Metal Airless Spray Gun w/Swivel
0501011	Guard Assembly, G-Thread
0279974	3 Foot Pole Extension w/Swivel
0279976	6 Foot Pole Extensionw/Swivel
0512134W	180 Degree Swivel
0501411	411 Trade Spray Tip
0501413	413 Trade Spray Tip
0501415	415 Trade Spray Tip
0501417	417 Trade Spray Tip
0501419	419 Trade Spray Tip
0501515	515 Trade Spray Tip
0501517	517 Trade Spray Tip
0501519	519 Trade Spray Tip
0093930	Anti-Seize Compound
0156113	TR-10 Telescoping Roller, 9", 3/8" Nap
0154919	Green Gun Filter (2)
0154675	Yellow Gun Filter (2)
0154842	White Gun Filter (2)
0154918	Red Gun Filter (2)
0279109L	Pump Saver Plus Protector

## Français

N° de pièce	Description
0516913	Huile séparatrice
0154830	Flexible, 1,5 m x 0,5 cm
0270192	Flexible, 7,6 m x 0,6 cm
0291000	Flexible, 15,2 m x 0,6 cm
0279667	Raccord de flexible, 0,6 cm2
0088154	Manomètre
0508910	Rallonge d'embout, 30,5 cm
0508914	Rallonge d'embout, 61,0 cm
0515262	Rouleau électrique, accessoire pour pistolets
0152308	Manchon de rouleau de 22,9 cm, grain de 1,0 cm
0155208	Manchon de rouleau de 22,9 cm, grain de 1,9 cm
0512181	Pistolet sans air à détente allongée - métal (GX-08)
0512180	Pistolet sans air à détente courte- métal (GX-07)
0516115	Pistolet sans air (GX-05)
0512182N	Pistolet sans air à détente courte, avec pivot - métal (GX-10)
0501011	Protège-doigts, filets « G »
0279974	Rallonge de manche, avec pivot, 0,9 m

0279976	Rallonge de manche, avec pivot, 1,8 m
0512134W	Pivot de 180°
0501411	Embout de pulvérisation, 411
0501413	Embout de pulvérisation, 413
0501415	Embout de pulvérisation, 415
0501417	Embout de pulvérisation, 417
0501419	Embout de pulvérisation, 419
0501515	Embout de pulvérisation, 515
0501517	Embout de pulvérisation, 517
0501519	Embout de pulvérisation, 519
0093930	Composé antigrippage
0156113	Manche de rouleau télescopique TR-10, manchon de 22,9 cm, grain de 1,0 cm
0154919	Filtre de pistolet vert (2)
0154675	Filtre de pistolet jaune (2)
0154842	Filtre de pistolet blanc (2)
0154918	Filtre de pistolet rouge (2)
0279109L	Lubrifiant Pump Saver Plus

## Español

Pieza#	Descripción
0516913	Lubricante de empaques
0154830	Manguera 5' x 3/16"
0270192	Manguera 25' x 1/4"
0291000	Manguera 50' x 1/4"
0279667	Conector de manguera, 1/4" x 1/4"
0088154	Manómetro
0508910	Extensión de la boquilla, 12"
0508914	Extensión de la boquilla, 24"
0515262	Aditamento de la pistola del rodillo automático
0152308	Funda del rodillo 9", pelillo de 3/8"
0155208	Funda del rodillo 9", pelillo de 3/4"
0512181	Pistola rociadora sin aire de metal del cuatro dedos GX-08
0512180	Pistola rociadora sin aire de metal del dos dedos GX-07
0516115	Pistola rociadora sin aire GX-06
0512182N	Pistola rociadora c/oscilador sin aire de metal del dos dedos GX-10
0501011	Ensamblaje de protección, Roscado G
0279974	Tubo de extensión de 92 cm c/oscilador
0279976	Tubo de extensión de 1.8 m c/oscilador
0512134W	Oscilador de 180 grados
0501411	Boquilla rociadora 411
0501413	Boquilla rociadora 413
0501415	Boquilla rociadora 415
0501417	Boquilla rociadora 417
0501419	Boquilla rociadora 419
0501515	Boquilla rociadora 515
0501517	Boquilla rociadora 517
0501519	Boquilla rociadora 519
0093930	Compuesto antiatascos
0156113	Rodillo telescópico TR-10, pelillo de 9", 3/8"
0154919	Filtro de pistola verde (2)
0154675	Filtro de pistola amarillo (2)
0154842	Filtro de pistola blanco (2)
0154918	Filtro de pistola rojo (2)
0279109L	Protector Pump Saver Plus (lubricante)

# Warranty • Garantié • Garantia

## LIMITED WARRANTY AIRLESS PAINT SPRAY EQUIPMENT

This product, manufactured by Wagner Spray Tech Corporation (Wagner), is warranted to the original retail purchaser against defects in material and workmanship for one year from date of purchase.

This warranty does not cover damage resulting from improper use, accidents, user's negligence or normal wear. This warranty does not cover any defects or damages caused by service or repair performed by anyone other than a Wagner Authorized Service Center. This warranty does not apply to accessories.

ANY IMPLIED WARRANTY OF MERCHANTABILITY OR FITNESS FOR A PARTICULAR PURPOSE IS LIMITED TO ONE YEAR FROM DATE OF PURCHASE.

WAGNER SHALL NOT IN ANY EVENT BE LIABLE FOR ANY INCIDENTAL OR CONSEQUENTIAL DAMAGES OF ANY KIND, WHETHER FROM BREACH OF THIS WARRANTY OR ANY OTHER REASON.

If any product is defective in material and/or workmanship during the applicable warranty period, return it with proof of purchase, transportation prepaid to any Wagner Authorized Service Center. (Service Center listing is enclosed with this product.) Wagner's Authorized Service Center will either repair or replace the product (at Wagner's option) and return it to you, postage prepaid.

**SOME STATES DO NOT ALLOW LIMITATIONS ON HOW LONG AN IMPLIED WARRANTY LASTS OR THE EXCLUSION OF INCIDENTAL OR CONSEQUENTIAL DAMAGES, SO THE ABOVE LIMITATION AND EXCLUSION MAY NOT APPLY TO YOU.**

**THIS WARRANTY GIVES YOU SPECIFIC LEGAL RIGHTS, AND YOU MAY ALSO HAVE OTHER RIGHTS WHICH VARY FROM STATE TO STATE.**

## GARANTIE LIMITÉE MATÉRIEL DE PULVÉRISATION DE PEINTURE SANS AIR

Ce produit, fabriqué par Wagner Spray Tech Corporation (Wagner), est garanti, au bénéfice de l'acheteur au détail d'origine, contre tout vice de matières et toute malfaçon pour un an à compter de la date d'achat.

La présente garantie ne s'applique pas aux dégâts entraînés par une utilisation incorrecte, par la négligence de l'utilisateur ou par l'usure normale. La présente garantie ne s'applique pas non plus aux défauts ou dommages résultant de l'entretien ou de la réparation que fait une personne quelconque qui ne soit pas membre d'un centre d'entretien autorisé pour les produits Wagner. La présente garantie ne s'applique pas aux accessoires.

TOUTE GARANTIE IMPLICITE DE QUALITÉ MARCHANDE OU D'ADAPTATION À UN USAGE PARTICULIER EST LIMITÉE À UNE PÉRIODE DE 30 JOURS POUR UNE UTILISATION PROFESSIONNELLE OU DE LOCATION ET D'UNE ANNÉE POUR L'UTILISATION DOMESTIQUE, À COMPTER DE LA DATE D'ACHAT.

TOUTE GARANTIE IMPLICITE DE VENDABILITÉ OU DE CONVENANCE À UNE DESTINATION PARTICULIÈRE EST LIMITÉE À UN AN À COMPTER DE LA DATE D'ACHAT.

Si un produit est défectueux en ce qui concerne les matériaux ou l'exécution pendant la période de garantie applicable, vous devez le retourner, avec une preuve d'achat et frais de port payés, à n'importe quel centre d'entretien autorisé pour les produits Wagner. (Une liste de ces centres d'entretien est jointe à ce produit.) Le centre d'entretien autorisé pour les produits Wagner réparera ou remplacera le produit (à la discrétion de Wagner) et vous le retournera par la poste, avec frais de port payés.

**CERTAINES PROVINCES INTERDISSENT LES RESTRICTIONS SUR LA DURÉE D'UNE GARANTIE IMPLICITE OU L'EXCLUSION DES DOMMAGES ACCESSOIRES OU INDIRECTS. IL SE PEUT DONC QUE LA RESTRICTION ET L'EXCLUSION ÉNONCÉES CI-DESSUS NE S'APPLIQUENT PAS À VOUS. LE PRÉSENTE GARANTIE VOUS ACCORDE DES DROITS JURIDIQUES SPÉCIFIQUES, ET VOUS AVEZ PEUT-ÊTRE D'AUTRES DROITS, QUI PEUVENT VARIER D'UNE PROVINCE À L'AUTRE.**

## GARANTÍA LIMITADA EQUIPO DE ATOMIZACIÓN DE PINTURA SIN AIRE

Este producto, fabricado por Wagner Spray Tech Corporation (Wagner), está garantizado ante el comprador original contra defectos de materiales y mano de obra durante un año contado a partir de la fecha de compra.

Esta garantía no cubre los daños que sean resultado de un uso inapropiado, accidentes, negligencia del usuario o un desgaste normal. Esta garantía no cubre ningún defecto o daño que haya sido causado por los servicios o reparaciones llevadas a cabo por alguien que no sea un técnico del Centro de Servicio Autorizado de Wagner. Esta garantía no es válida para ningún accesorio.

CUALQUIER GARANTIA IMPLICITA DE COMERCIALIZACION O IDONEIDAD PARA CUALQUIER PROPOSITO EN PARTICULAR QUEDA LIMITADA A UN AÑO A PARTIR DE LA FECHA DE COMPRA.

WAGNER NO SERÁ EN NINGÚN CASO RESPONSABLE DE NINGÚN DAÑO INCIDENTAL O DE CONSECUENCIA DE NINGUNA CLASE, QUE RESULTE DE VIOLAR ESTA GARANTÍA O POR CUALQUIER OTRA RAZÓN.

Si algún producto llegara a tener defectos de material y/o mano de obra durante el período de validez de la garantía, devuélvalo junto con el comprobante de compra y flete previamente pagado, a cualquier Centro de Servicio Autorizado de Wagner. (La lista de Centros de Servicio viene adjunta con este producto.) El Centro de Servicio Autorizado de Wagner reparará o reemplazará el producto (según la opción de Wagner) y se lo devolverá, con porte previamente pagado.

**ALGUNOS ESTADOS NO PERMITEN LIMITACIONES EN CUANTO A LA DURACIÓN DE UNA GARANTÍA IMPLÍCITA O LA EXCLUSIÓN DE DAÑOS INCIDENTALES O DE CONSECUENCIA, DE MANERA QUE LA LIMITACIÓN Y EXCLUSIÓN ANTERIORES PODRÍAN NO SER VÁLIDAS PARA USTED.**

**ESTA GARANTÍA LE CONCEDE DERECHOS LEGALES ESPECÍFICOS, PERO USTED PODRÍA TENER DERECHO A OTROS, LOS CUALES VARIAN DE UN ESTADO A OTRO.**

**Wagner Spray Tech**  
1770 Fernbrook Lane  
Plymouth, MN 55447  
1-800-880-0993

Copyright © 2005 Wagner Spray Tech - All rights reserved, including right of reproduction in whole or in part, in any form.

U.S. Patent Nos. 6,435,846 7,071,429  
6,599,107 Other patents pending

## Free Manuals Download Website

<http://myh66.com>

<http://usermanuals.us>

<http://www.somanuals.com>

<http://www.4manuals.cc>

<http://www.manual-lib.com>

<http://www.404manual.com>

<http://www.luxmanual.com>

<http://aubethermostatmanual.com>

Golf course search by state

<http://golfingnear.com>

Email search by domain

<http://emailbydomain.com>

Auto manuals search

<http://auto.somanuals.com>

TV manuals search

<http://tv.somanuals.com>