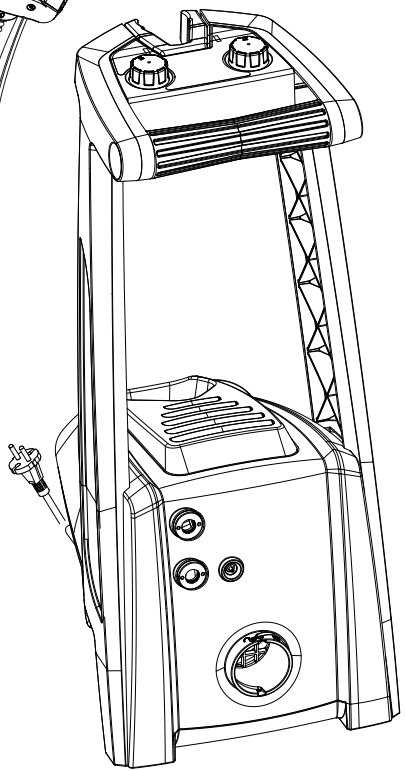
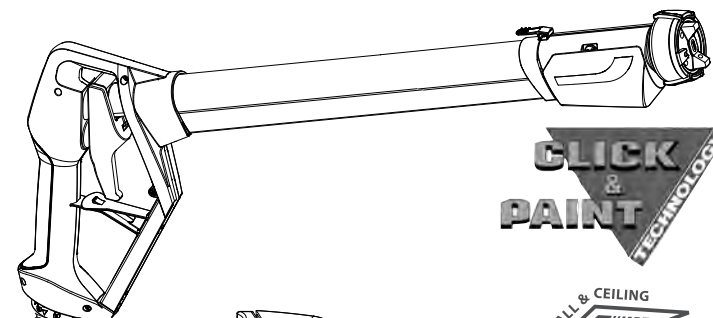


# WAGNER

## Originalbetriebsanleitung



2 Jahre  
Garantie





2 years  
Guarantee

2 ans de  
garantie

2 jaar  
garantie

# WallPerfect Flexio 995 D/GB/F/NL



	.....	.1 - 31
	.....	.32 - 62
	.....	.63 - 94
	.....	.95 - 124



## Translation of the original operating instructions

### MANY THANKS FOR PLACING YOUR TRUST IN US

We would like to congratulate you on purchasing this brand product from Wagner; we are sure that you will enjoy working with it greatly.

Please read the Operating Manual carefully and observe the safety information before starting the device. Store the Operating Manual in a safe place close to the product in case it needs to be used by someone else.




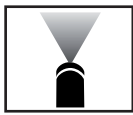



We would be happy to be of assistance if you have any questions, suggestions or requests. Please contact us via the phone number included on the back page or via our homepage, [www.wagner-group.com/service](http://www.wagner-group.com/service).

### Contents

1. Explanation of symbols used .....	33
2. General Safety Instructions .....	33
3. Safety instructions for colour application devices .....	36
4. Scope of delivery .....	37
5. Field of application .....	38
6. Coating Materials Suitable for Use .....	38
7. Coating Materials Not Suitable for Use.....	38
8. Preparation of the Coating Material .....	39
9. Preparation of the workplace (for interior wall paint) .....	39
10. Assembling the spray lance (fig. 2) .....	40
11. Connecting the hoses (fig.3) .....	41
12. Multifunction switch settings (fig. 4, A) .....	42
13. Setting the flow rate when working with the spray lance (fig. 4, B).....	42
14. Setting the width of the spray jet on the spray lance (Fig. 5).....	42
15. Starting your work with the spray lance .....	43
16. Spraying technique when using the spray lance .....	43
17. Interruption of Work.....	44
18. Switching off and cleaning the spray lance .....	44
19. Rectifying errors when working with the spray lance.....	48
20. Starting work with the spray attachment .....	50
21. Setting the spray pattern you require when working with the spray attachment	51
22. Setting the flow rate for the spray attachment (fig. 22).....	52
23. Spraying technique when using the spray attachment .....	52
24. Interruption of Work.....	53
25. Switching off and cleaning the spray attachment .....	53
26. Correction of Malfunctions.....	56
27. Maintenance .....	57
28. Storage .....	57
29. Spare Parts .....	58

30. Accessories ..... 59  
 31. Technical Data ..... 60

## 1. Explanation of symbols used

	<b>This symbol indicates a potential danger for you or for the device. Under this symbol you can find important information on how to avoid injuries and damage to the device.</b>
	<b>Danger of electrical shock</b>
	<b>Indicates tips for use and other particularly useful information.</b>
	<b>Wide spray jet setting</b>
	<b>Narrow spray jet setting</b>
	<b>Devices and accessories marked with this symbol are suitable for processing high-viscosity materials such as e.g. interior wall paints (dispersions and latex paints). If a material bears this logo, it is particularly well suited for use with the relevant device.</b>
	<b>Devices and accessories marked with this symbol are suitable for processing low-viscosity materials such as paints, glazes and wall paints specifically designed for this purpose. If a material bears this logo, it is particularly well suited for use with the relevant device.</b>

## 2. General Safety Instructions

**WARNING!** *Read all safety notifications and instructions. Failure to comply with the safety notifications and instructions provided may result in electric shock, fire and/or serious injury. The term "power tool" used below covers both mains-operated power tools (with mains lead) and accumulator-operated power tools (without mains lead).*



### 1. Safety at the workplace

**a) Keep your workplace clean and well lit.** *Disorder or unlit workplaces may result in accidents.*

- b) **Never use the tool in hazardous areas that contain flammable liquids, gases or dusts.** *Power tools generate sparks that can ignite the dust or vapors.*
- c) **Keep children and other persons away when using the power tool.** *You can lose control of the tool if you are distracted.*

## 2. Electrical Safety

- a) **The tool plug must fit into the socket. The plug may not be modified in any form. Do not use adaptor plugs together with protective-earthed tools.** *Unmodified plugs and suitable sockets reduce the risk of an electric shock.*
- b) **Avoid physical contact with earthed surfaces such as pipes, heating elements, stoves and refrigerators.** *The risk through electric shock increases if your body is earthed.*
- c) **Keep the equipment away from rain and moisture.** *The risk of an electric shock increases if water penetrates electrical equipment.*
- d) **Do not misuse the mains lead by carrying the tool by the lead, hanging it from the lead or by pulling on the lead to remove the plug. Keep the lead away from heat, oil, sharp edges or moving tool parts.** *Damaged or twisted leads increase the risk of an electric shock.*
- e) **If you work outdoors with a power tool, only use extension cables suitable for outdoor use.** *The use of an extension lead that is suitable for outdoors reduces the risk of an electric shock.*
- f) **If you cannot avoid using the tool in a damp environment, use a residual current operated circuit-breaker.** *Using a residual current operated circuit-breaker avoids the risk of electric shock.*

## 3. Safety of Persons

- a) **Be attentive. Pay attention to what you are doing and work sensibly with a power tool. Do not use the tool if you are tired or under the influence of drugs, alcohol or medication.** *Just a moment of inattentiveness while using the tool can lead to serious injuries.*
- b) **Wear personal safety equipment and always wear safety goggles** *Wearing personal protective equipment, such as dust mask, non-slip safety shoes, safety helm or ear protection, depending on the type of power tools, reduces the risk of injury.*
- c) **Avoid accidental starting-up. Make sure that the electric tool is switched off before you connect it to the power supply, pick it up or carry it.** *Accidents can occur if you carry the power tool while your finger is on the switch or if you connect the power tool to the power supply which it is on.*

- d) **Remove setting tools or wrenches before switching on the power tool.** *A tool or wrench that is in a rotating tool part can lead to injuries.*
- e) **Avoid an unnatural posture. Ensure that you are standing securely and have your balance at all times.** *This ensures that you can control the tool better in unexpected situations.*
- f) **Wear suitable clothing. Do not wear wide clothing or jewellery. Keep your hair, clothes and gloves away from moving parts.** *Loose clothing, jewellery or long hair can be caught in moving parts.*
- g) **This device can be used by children over the age of 8 as well as by people with restricted physical, sensory or mental abilities or who have little experience or knowledge about it, providing they are supervised or instructed on how to use the device safely and what risks are involved.** *Children may not play with the device. User maintenance and cleaning may not be carried out by children unattended.*

#### 4. Usage and treatment of the electric tool

- a) **Do not overload the tool. Use the power tool designed for the work that you are doing.** *You work better and safer in the specified performance range if you use the suitable power tool.*
- b) **Do not use power tools whose switch is defective.** *A power tool that cannot be switched on or off is dangerous and has to be repaired.*
- c) **Remove the plug from the socket before carrying out tool settings, changing accessories or putting the tool away.** *This precautionary measure prevents unintentional starting of the tool.*
- d) **Store unused power tools so that they are inaccessible to children. Do not let persons use the tool who are not familiar with it or who have not read these instructions.** *Power tools are dangerous when they are used by inexperienced persons.*
- e) **Take proper care of your tools. Check whether the moving parts function trouble-free and do not jam, whether parts are broken or damaged so that the tool function is impaired. Have damaged parts repaired before using the tool.** *Many accidents have their origin in power tools that have been maintained badly.*
- f) **Use the power tool, accessories, insert tools, etc. in accordance with these instructions and in a fashion specified for this special tool type. Take the working conditions and the activity to be carried out into consideration.** *The use of power tools for purposes other than the intended ones can lead to dangerous situations.*

## 5. Service

- a) **Have your tool repaired only by qualified specialist personnel and only with original spare parts.** *This ensures that the tool safety is maintained.*
- b) **If the supply cord is damaged, it must be replaced by the manufacturer or its service agent or a similarly qualified person in order to avoid a safety hazard.**

## 3. Safety instructions for colour application devices

- **Caution!** Wear breathing equipment: Paint mist and solvent vapors are damaging to health. Always wear breathing equipment and only work in well ventilated rooms or using supplementary ventilating equipment. It is advisable to wear working clothing, safety glasses, ear protection and gloves.

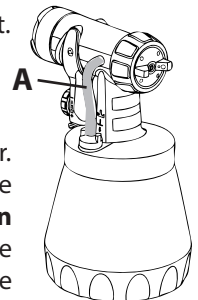


**CAUTION: DANGER OF INJURY!**  
**Never point the spray lance at people or animals.**



**Sockets and plugs must be masked. Risk of an electric shock as a consequence of sprayed material entering the socket!**

- Flammable agents may not be used for spraying with this device.
- The device may not be cleaned using flammable solvents.
- Caution against dangers that can arise from the sprayed substance and observe the text and information on the containers or the specifications given by the substance manufacturer.
- Do not spray any liquid of unknown hazard potential.
- The device may not be used in establishments that are subject to explosion prevention regulations.
- In order to avoid risk of an explosion during spray operations, excellent natural or artificial ventilation must be provided.
- While spraying there may be no ignition source in the surrounding area, for example, open fire, cigarette smoke, sparks, red-hot wires and hot surfaces.
- Ensure that no solvent vapors are sucked in by the unit. Do not spray onto the unit!
- The device is not a toy. For this reason do not allow children to handle or play with the device.
- Before working on the device, remove the power plug from the socket.
- Mask all areas that are not going to be sprayed. When working keep in mind that wind, for example, may transport paint mist over great distances and cause damage.
- Always switch off the device before placing the spray lance in the holder.
- The spray attachment for varnish paints and glazes may only be operated in conjunction with a fully functioning valve. **If paints rises in the ventilating hose (A) do not operate the unit further!** Dismantle and clean the ventilating hose, valve and diaphragm and replace the diaphragm if necessary.



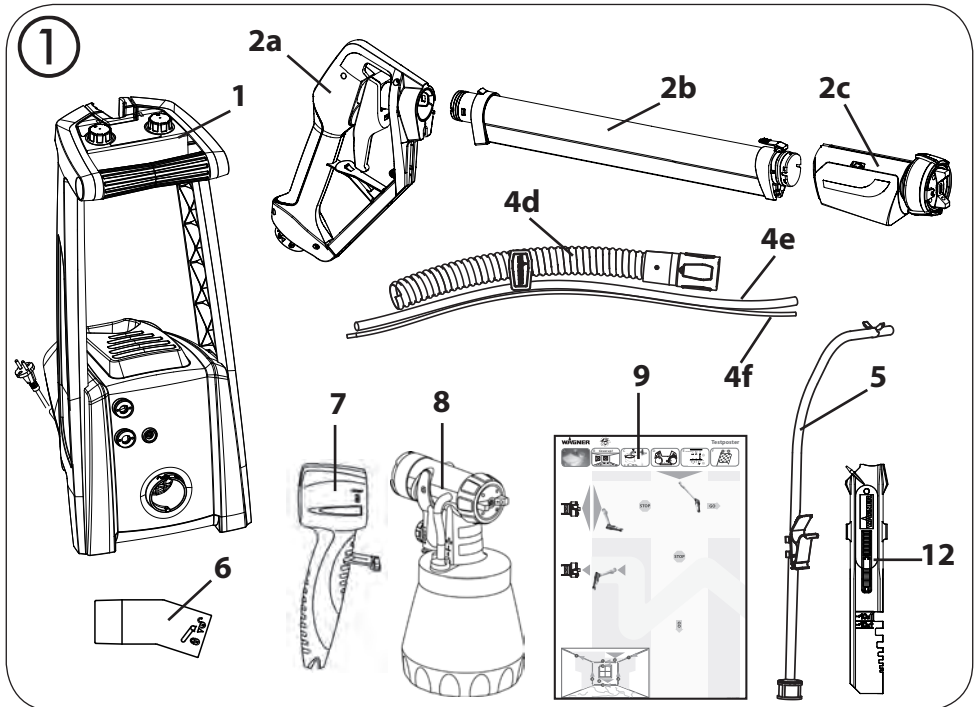
• Do not lay the spray gun.

With original WAGNER accessories and spare parts, you have the guarantee that all safety regulations are fulfilled.

### 4. Scope of delivery

Scope of delivery (Fig. 1)

1 Basic device, Flexio 995	2 Spray lance (dismantled) comprising: Grab handle (a), air pipe (b) and spray head (c)
3 Replacement nozzle seal for spray head (2 pcs., no fig.)	4 Hose package comprising: Air hose (d), material hose (e) and control hose (f)
5 Suction hose	6 Adapter to connect the Click&Paint grab handle to the air hose
7 Grab handle for Click&Paint spray attachments	8 Perfect Spray 800 spray attachment for varnish paints and glazes.
9 Practice poster	10 Replacement nozzle seal for spray attachment(no fig.)
11 Lubricating grease (no fig.)	12 Stirring rod


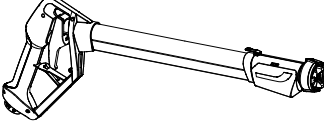






## 5. Field of application

With the Flexio 995, interior wall paints can be applied right from the bucket. And that is not all, for the Click&Paint adapter enables all Wagner spray attachments to be used for processing varnish paints and glazes.

Depending on which material you want to use, you must affix either the spray lance or the spray attachment.

Coating Materials	Application tools
<b>Water-soluble</b> interior wall paint (dispersions and latex paint)	Spray lance  
Water- and solvent-based paints, finishes, primers, 2-component paints, clear finishes, automotive finishes, staining sealers and wood sealer-preservatives. All coating materials with the red Perfect Spray logo	Perfect Spray spray attachment  

## 6. Coating Materials Suitable for Use

Water-soluble interior wall paint (dispersions and latex paint)

Water- and solvent-based paints, finishes, primers, 2-component paints, clear finishes, automotive finishes, staining sealers and wood sealer-preservatives.

**Attention! Never suck solvent-based materials directly via the suction system. Pumps and hoses are not solvent resistant and could be damaged.**

## 7. Coating Materials Not Suitable for Use

Materials that contain highly abrasive components, facade paint, caustic solutions and acidic coating substances. Flammable materials.

### The following materials can only be processed with optional accessories

Solvent-based wall paints (WallPerfect I-Spray spray attachment, order no. 2326 477)

## 8. Preparation of the Coating Material

Mix the material well in the original container. When using interior wall paint, an agitator is recommended.



WallPerfect Flexio 995 has been developed for use with all conventional paints in their undiluted form. If the surface is smooth and the paint you are using is very thick and gel-like, dilute it by 10%. Dilution can be necessary if the atomisation is coarse or if the flow rate is too low even at the maximum setting. Detailed information about the various materials and the maximum permitted dilution can be found on the manufacturers' technical data sheets (e.g. available on the Internet).



Spray material that is at least at room temperature provides a better spray result.



The following chapters 9-19 discuss using the Flexio 995 as a wall paint spraying system. Read chapters 20-26 if you want to use varnish paints and glazes with the Flexio 995.

## 9. Preparation of the workplace (for interior wall paint)



**Sockets and plugs must be masked. Risk of an electric shock as a consequence of sprayed material entering the socket!**



**Mask all the areas and objects that are not to be spray painted, or remove them from the work area. No liability is assumed for damage due to overspray. Silicate paint corrodes glass and ceramic surfaces upon contact! All such surfaces must therefore be completely covered.**



Pay attention to the quality of the adhesive tape used. Do not use excessively strong adhesive tape on wallpaper and painted surfaces, in order to avoid damaging these surfaces when removing the tape. Remove adhesive tape slowly and evenly; do not use jerky movements. Do not leave adhesive tape on surfaces any longer than necessary, in order to minimise the possibility of residues when removing. Also observe the adhesive tape manufacturer's instructions.

## 10. Assembling the spray lance (fig. 2)

- Take the rolled-up pull wire (fig. 2, 1) out of the grab handle (2) and unwind it.
- Put air pipe (3) in grab handle (2).



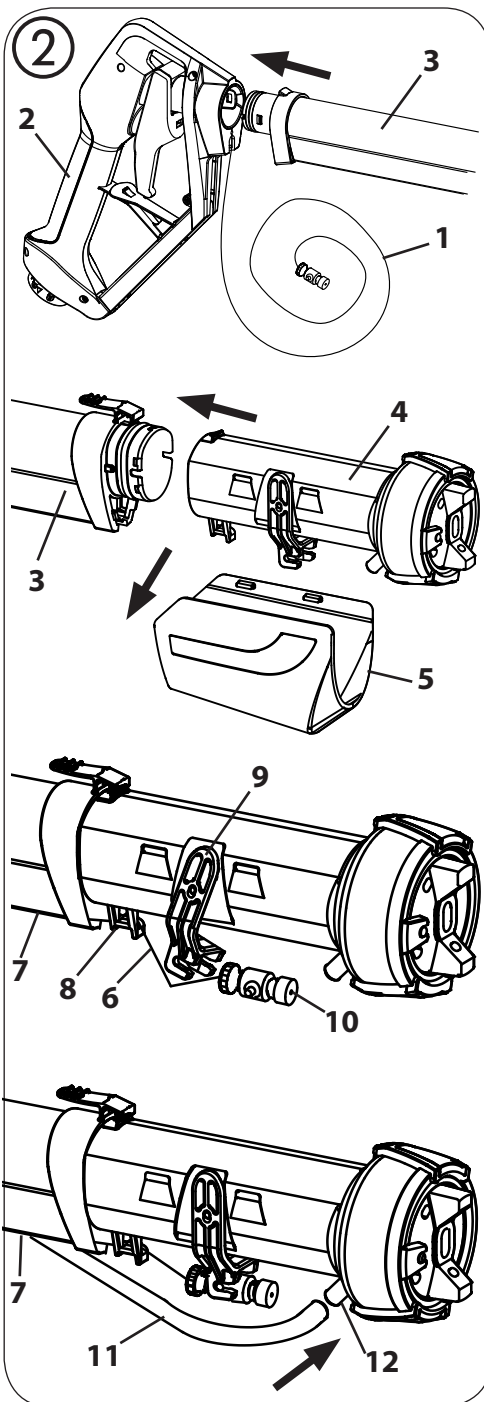
After assembly, the air pipe and grab handle can no longer be separated.  
Do not try to disassemble them by force!

- Put together the spray head (4) and air pipe (3).
- Remove the cover (5) from the spray head (4).
- Insert the pull wire (6) into the guide rail (7) on the bottom side of the air pipe and pull it over the guide hook (8) to the spray head.
- Push back the trigger (9) and connect the pull wire. Set the pull wire at a tension using the adjustment screw (10).



**Attention! Do not tighten the adjustment screw (10) too much. The nozzle opening has to remain closed at this point, as otherwise material might leak out.**

- Push the end of the material hose (11), without the securing clip, into the slot (12) on the spray head.
- Guide the material hose close along the spray head along to the grab handle and push it into the guide rail (7).
- Clip the cover (5) back on to the spray head.

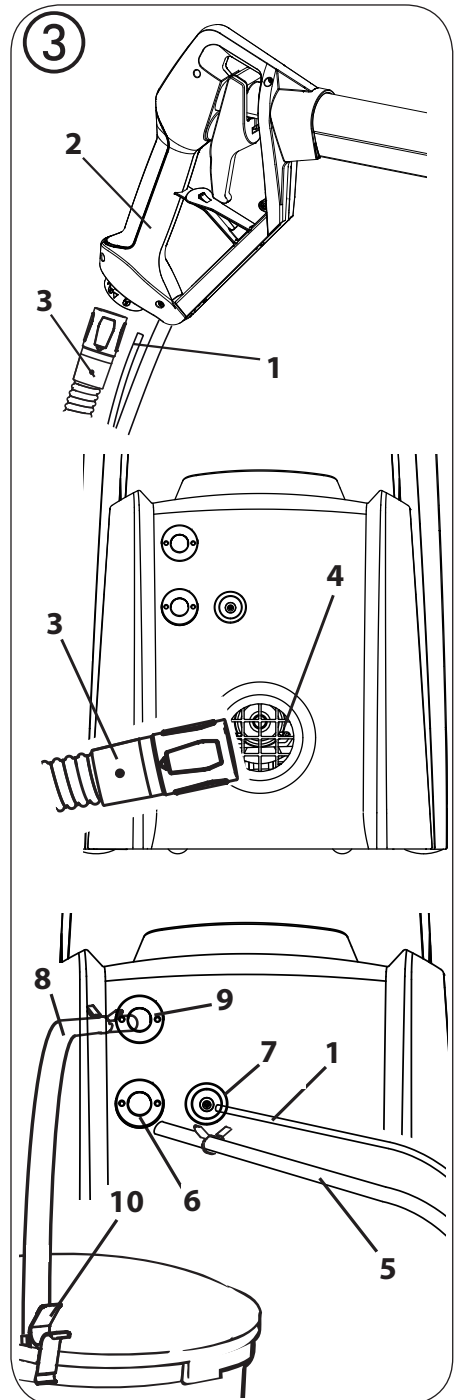


## 11. Connecting the hoses (fig.3)

- Insert the control hose (1) into the grab handle (2).
- Insert the thin end of the black air hose (3) into the grab handle (2) (watch out for marking) and fix it into position by turning it to the right.
- Insert the thick end of the air hose (3) into the air-hose connection (4) on the basic device (watch out for marking) and fix it into position by turning it to the right.
- Connect the material hose (5) to the material hose connection socket (6) and secure with securing clip.
- Connect the control hose (1) to the control hose connection socket (7).
- Connect the suction hose (8) to the suction hose connection socket (9) and secure with securing clip.
- Plug the attachment clip on the suction hose (10) to the edge of the paint container.
- Push the suction hose down to the base of the paint container.



Do not push the hose too far into the paint container, as it might otherwise bend upwards and suck in air.



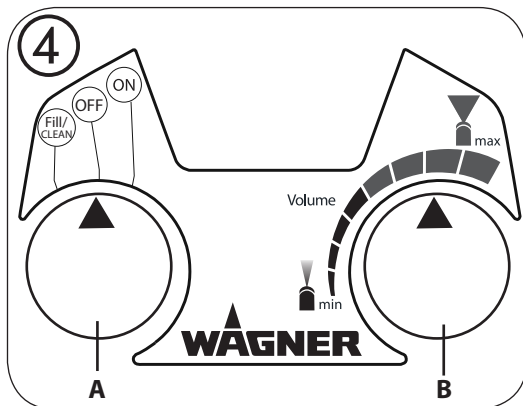
## 12. Multifunction switch settings (fig. 4, A)

- FILL/  
CLEAN → Settings for cleaning and  
pre-filling the system  
OFF → System is off  
ON → Operating setting

Wall paint



When using the spray attachment for varnish paints and glazes, the FILL/CLEAN functions may not be used!



## 13. Setting the flow rate when working with the spray lance (fig. 4, B)

The material quantity is set depending on the characteristics of the material (viscosity) and the working speed of the operator.

This setting can be made variably with the material flow limiter:

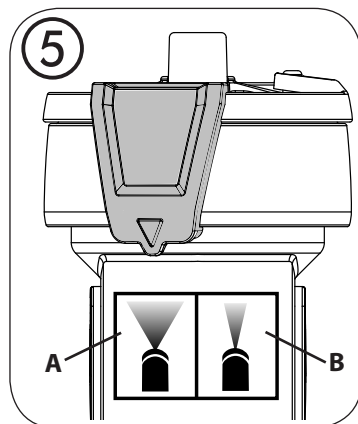
- lower material → turn to the left  
higher material → turn to the right



We recommend starting with a low material flow setting and then gradually adjusting this to suit needs. .

## 14. Setting the width of the spray jet on the spray lance (Fig. 5)

- A = wide spray jet (green)** → For coating larger surfaces  
→ Working with a large flow rate (green area on quantity scale)
- B = narrow spray jet (red)** → For coating smaller areas, corners and edges  
→ Working with a small flow rate (red area on quantity scale)





In order to reduce overspray and to improve the sprayed result, the colour on the quantity scale (red or green) should match the colour of the width of the spray jet (red or green).

## 15. Starting your work with the spray lance

- Put the machine down only on a level, clean surface.
- Before connecting to the mains supply, be sure that the supply voltage is identical with the value given on the rating plate.

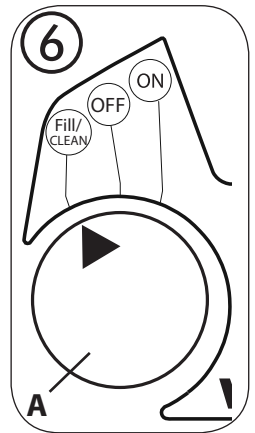


**Attention! Before switching on the device, check that the trigger is not pulled/held. A held trigger can result in paint being sprayed by accident. Only put the trigger on hold when cleaning.**

- Plug in the power cable.
- Set the multifunction switch (fig. 6, A) to "FILL/CLEAN".
- Hold the spray lance over the paint container.
- Keep the trigger kept pressed down until paint starts to come out of the nozzle.

Now the system is filled with paint and ready to be operated.

- Hold the spray lance away from the paint container.
- Set the multifunction switch (fig. 6, A) to "ON".



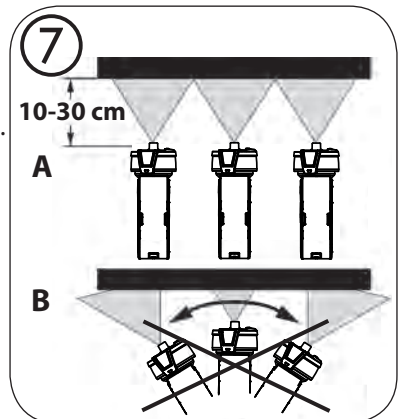
## 16. Spraying technique when using the spray lance





- Mask all areas that are not going to be sprayed.
- It can be valuable to do a test spray on a piece of cardboard or similar surface to work out what the most suitable settings are.

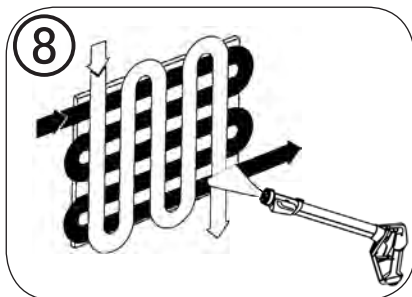
**Important:** Start at the edge of the spray area. Start the spray movement first of all, and then press the trigger. Avoid interrupting the spraying process inside the spray area.

- Work at a distance of between 10-30 cm.
- Fig. 7 A:** **CORRECT** Even distance to the object.
- Fig. 7 B:** **INCORRECT** An uneven distance will result in uneven paint application.

- Move the spray lance up and down evenly .
- To work in a horizontal direction, turn the spray lance by 90°.
- Even guidance of the splash lance will produce a consistent surface quality.
- If nozzle and air cap are soiled, clean both parts with water.



-  The spray jet can pulsate when very liquid materials are being used. However, this does not usually have a negative effect on the results.
-  If the work being performed is of a sophisticated nature (e.g. the borders around plugs) do not pull the trigger through completely. This prevents the feed pump from being switched on and the only material that is sprayed is the material that is already in the system. If this starts to run out, briefly pull the trigger completely in order to refill the system.
-  "Cross spray" when using paint with a poor covering capacity or if the surface is highly absorbent (Fig. 8).
-  Interior wall paint in strong colour shades should be applied at least twice (allow first paint coat to dry first). This will ensure good coverage.




## 17. Interruption of Work

- Turn the machine off. (Set the multifunction switch to "OFF")
- Put the spray lance in the holder.
- Wet paint surface in paint container with a little water to prevent a skin from forming.
- Clean nozzle openings after an interruption in operation.

## 18. Switching off and cleaning the spray lance

**Proper cleaning is the prerequisite for problem-free operation of the paint application device. No warranty claims are accepted in case of improper or no cleaning.**

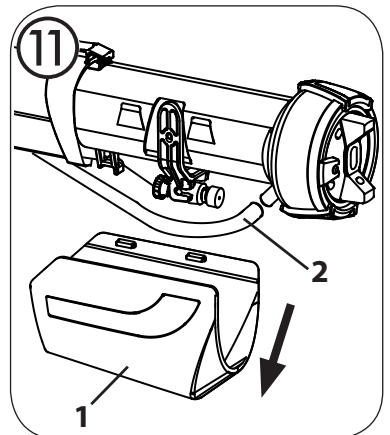
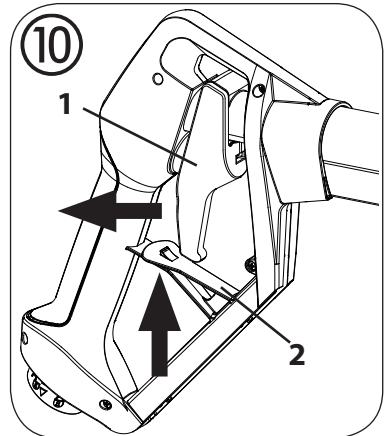
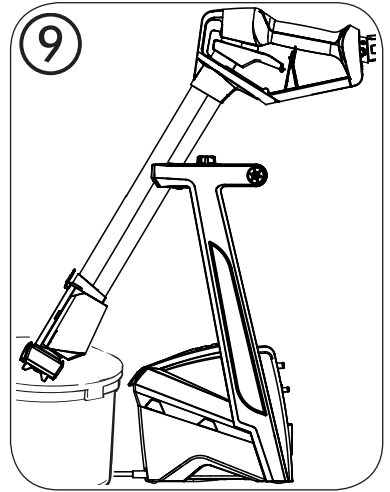
-  We recommend using hot water for cleaning purposes.
- Turn the machine off. (Set the multifunction switch to "OFF")
- Remove the suction hose from the paint container.
- Set the multifunction switch to "FILL/CLEAN".

- Hold the spray lance over the material container and pull the trigger to pump the remaining paint out of the system into the material container.
- Turn the machine off. (Set the multifunction switch to "OFF")
- Place a container with water in front of the device and attach the suction hose.
- Click the spray lance into the holder and slew it over the container with water. (Fig. 9)



**Attention! During automatic cleaning of the pump do not leave the device unattended. The hoses could disconnect during the cleaning operation leading to water damage.**

- Set the multifunction switch to "FILL/CLEAN".
- Pull the trigger (fig. 10, 1) and push the stop (2) upwards to secure the trigger. Allow water to circulate through the machine for about 10 minutes in order to clean the pump and hoses. If necessary renew the water.
- Release the stop by pulling the trigger.
- Turn the machine off. (Set the multifunction switch to "OFF")
- Take the spray lance out of the holder and remove the cover (fig. 11, 1) from the spray head.
- Detach the material hose (fig. 11, 2) from the slot on the spray head.

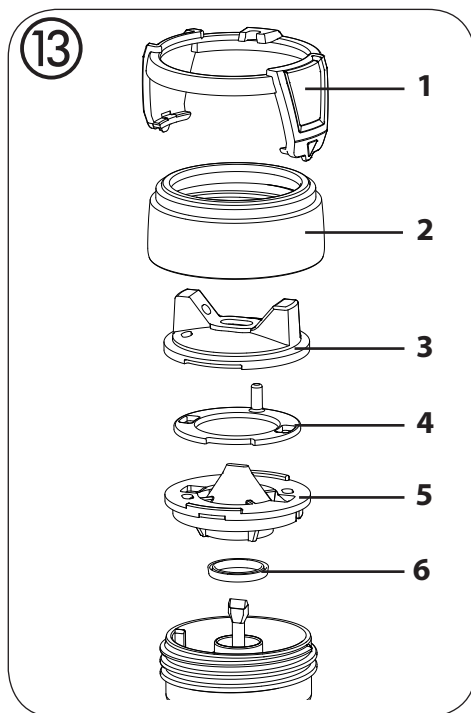
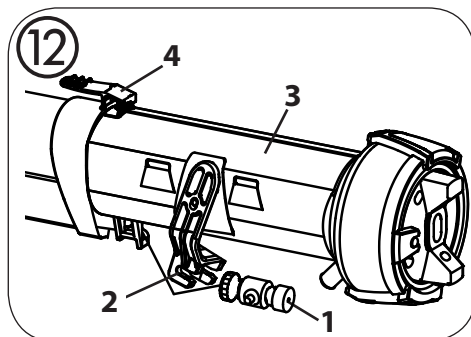




- Loosen the pull wire by the adjustment screw (fig. 12, 1). Pull the trigger (fig. 12, 2) disengage the pull wire.
- Remove the spray head (fig. 12, 3) by pressing the lever (fig. 12, 4).
- Remove the adjustment ring (fig. 13, 1) carefully from the connecting nut (fig. 13, 2). Loosen the connecting nut. Remove the air cap (3), air screen (4), nozzle (5) and nozzle seal (6) from the spray head.
- Clean the air cap; air screen, nozzle and nozzle seal thoroughly.

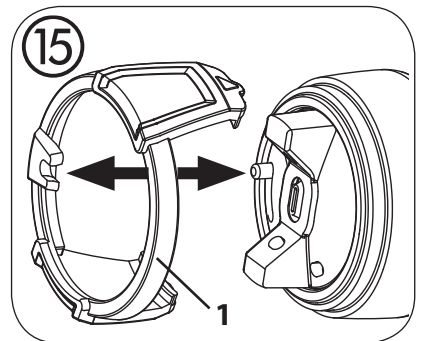
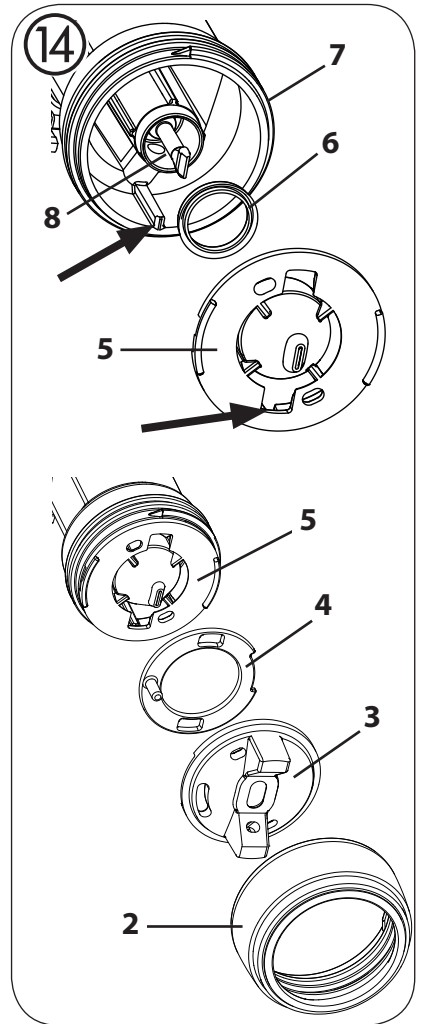
**Attention!** Never clean the seals, nozzle- or air-holes with pointy metal objects.

- Remove the suction hose and thoroughly rinse the suction filter in flowing water.
- If necessary wipe the exterior of the spray lance.



## Reconstruction

- Push the nozzle seal (fig. 14, 6) over the needle (8); the groove (slot) should point towards you.
- Insert the nozzle (fig. 14, 5), keeping an eye on the grooves.
- Put the air screen (4) in the air cap (3). Put both on the nozzle (5) and secure with the connecting nut (2).
- Snap the adjustment ring (fig. 15, 1) into the connecting nut enabling the loop on the peg to be positioned in the air cap.



## 19. Rectifying errors when working with the spray lance

Problem	Cause	Remedy
No coating material emerges from the nozzle	<ul style="list-style-type: none"> <li>• Nozzle clogged</li> <li>• Material volume setting turned too far to the left</li> <li>• When trigger is not completely pushed through, the feed pump is not switched on</li> <li>• Control hose blocked or damaged</li> <li>• Container empty</li> <li>• Suction hose is blocked</li> <li>• The suction hose is disconnected from the basic device</li> <li>• The suction hose is not in the paint</li> <li>• Pull wire is disconnected or not tight enough</li> <li>• The material hose is disconnected from the spray head or basic device</li> <li>• Pump is defect</li> </ul>	<ul style="list-style-type: none"> <li>→ Clean</li> <li>→ Turn to the right</li>   <li>→ Push trigger through completely</li>   <li>→ Clean or replace</li>   <li>→ New paint container</li> <li>→ Clean suction hose</li> <li>→ Reattach the suction hose</li>   <li>→ Immerse the suction hose</li>   <li>→ Connect and tighten the pull wire</li> <li>→ Reattach the material hose</li>   <li>→ Please contact Wagner Service</li> </ul>
Coating material drips from the nozzle	<ul style="list-style-type: none"> <li>• Coating material assembly at air cap, nozzle or needle</li> <li>• Nozzle loose</li> <li>• Nozzle seal worn</li> <li>• Nozzle worn</li> <li>• Pull wire is too tight</li> </ul>	<ul style="list-style-type: none"> <li>→ Clean</li>   <li>→ Union nut tighten</li> <li>→ Change</li> <li>→ Change</li> <li>→ Reduce tension</li> </ul>
Atomisation too coarse	<ul style="list-style-type: none"> <li>• Material volume too large Material volume setting turned too far to the right</li> <li>• Nozzle contaminated</li> <li>• Viscosity of coating material too high</li> <li>• Air filter heavily soiled</li> <li>• At high quantity of material, narrow spray jet selected (red)</li> </ul>	<ul style="list-style-type: none"> <li>→ Turn the material volume setting to the left</li>   <li>→ Clean</li> <li>→ Dilute further</li>   <li>→ Change</li> <li>→ Switch to wide spray jet (green)</li> </ul>

Problem	Cause	Remedy
Spray jet pulsates	<ul style="list-style-type: none"> <li>• Coating material in container running out</li> <li>• Nozzle seal worn</li> <li>• Air filter heavily soiled</li> <li>• Filter clogged at suction hose</li> </ul>	→ Refill → Replace → Change → Clean filter
Coating material causes "paint tears"	<ul style="list-style-type: none"> <li>• Too much coating material applied</li> <li>• Viscosity of coating material too low</li> </ul>	→ Turn the material volume setting to the left Spray excess material on the wall using the inking roller → Reduce the quantity of material and apply in several layers
Too much fog of coating material (Overspray)	<ul style="list-style-type: none"> <li>• Distance to the object too large</li> <li>• Too much material quantity</li> <li>• At a low quantity of material, wide spray jet selected (green)</li> </ul>	→ Reduce distance → Turn the material volume setting to the left → Switch to narrow jet spray (red)
Width of paint spray cannot be adjusted	<ul style="list-style-type: none"> <li>• Adjustment ring is not connected to the peg on the air cap</li> <li>• Air screen is clogged up</li> </ul>	→ Connect adjustment ring and peg → Disassemble and clean the spray head
Poor covering capacity on the wall	<ul style="list-style-type: none"> <li>• Spray material is too cold</li> <li>• Highly absorbent surface or paint with poor covering capacity</li> <li>• Distance too large</li> <li>• The material quantity and spray jet do not correspond with each other</li> </ul>	→ The material you are spraying should be at room temperature → Cross spray (Fig. 8) → Closer to the object → Optimise the settings
Coating material cannot be atomised	<ul style="list-style-type: none"> <li>• Multifunction switch is set to "Clean"</li> <li>• Turbine is defect</li> </ul>	→ Set the multifunction switch to "ON" → Please contact Wagner Service

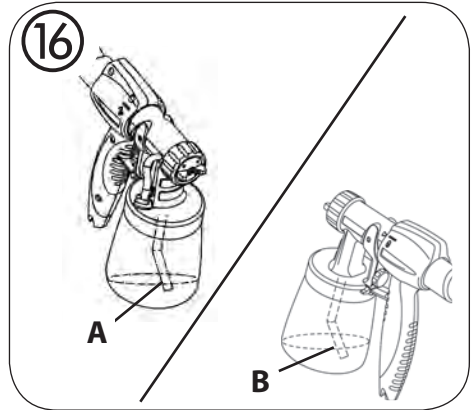


The following chapters 20-26 describe working with vinyls and lacquers with the spray attachment.

Read chapters 9-19 if you want to use wall paint with the Flexio 995.

## 20. Starting work with the spray attachment

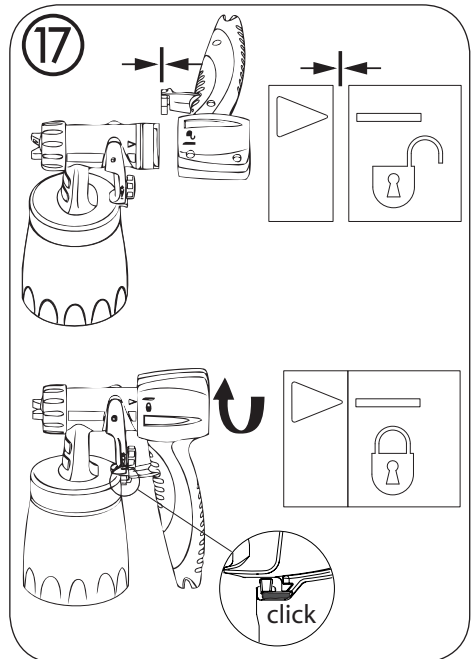
- Put the machine down only on a level, clean surface.
- Before connecting to the mains supply, be sure that the supply voltage is identical with the value given on the rating plate.
- Plug in the power cable.
- Aligning suction tube. (Fig. 16)  
If the suction tube is positioned correctly, the container contents can be sprayed without almost any residue. When working on lying objects: Turn the suction tube forwards. (Fig. 16 A) Spraying work when working on overhead objects: Turn the suction tube rearwards. (Fig. 16 B)



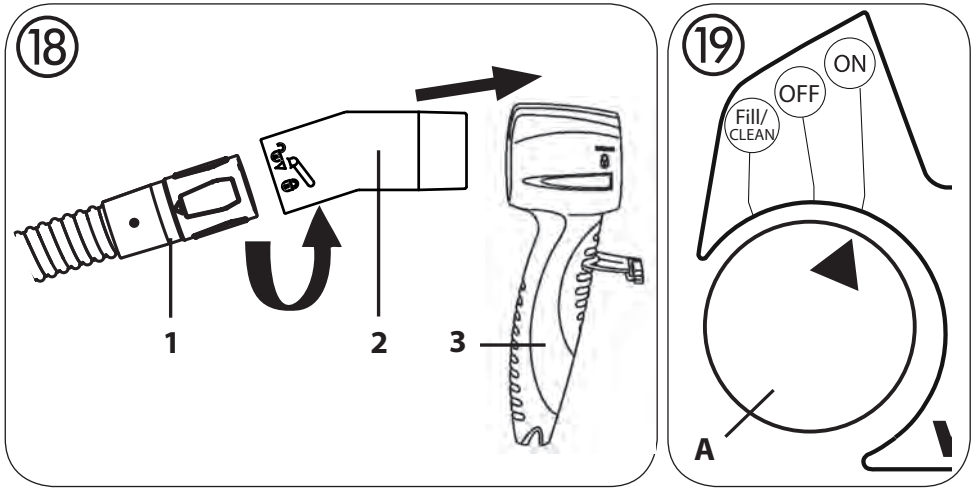
- Set the container on a sheet of paper, pour in the prepared coating material.
- Screw the container tightly onto the spray gun
- Connect gun handle and spray attachment together. (fig 17).
- If already attached, remove the air hose from the grab handle of the spray lance.



Only the air hose is required for operating a spray attachment with the Flexio 995. To facilitate handling, the material hose can therefore be removed from the air hose and the suction hose can be detached from the basic unit.



- Attach the Click&Paint adapter (Fig. 18, 2) with the bayonet coupling to the thinner end of the air hose (1).
- Insert the other end of the adapter into the gun handle (3).
- Set the multifunction switch (fig. 19, A) to "ON".



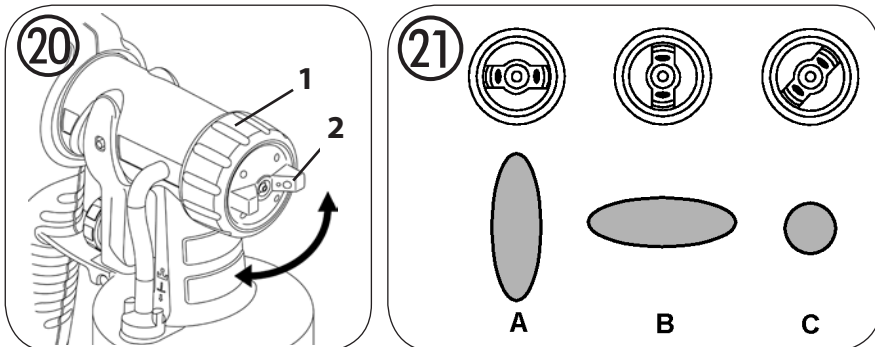
## 21. Setting the spray pattern you require when working with the spray attachment



**WARNING! Danger of injury! Never pull the trigger guard while adjusting the air cap.**

With the union nut (fig. 20, 1) slightly unscrewed, turn the air cap (2) to the desired spraysetting position (arrow). Then tighten the union nut.

- |  |   |   |
|--|---|---|
| <b>Fig. 21 A</b> = vertical flat jet   | → | for horizontal surfaces                       |
| <b>Fig. 21 B</b> = horizontal flat jet | → | for vertical surfaces                         |
| <b>Fig. 21 C</b> = circular jet        | → | for corners, edges and hard-to-reach surfaces |

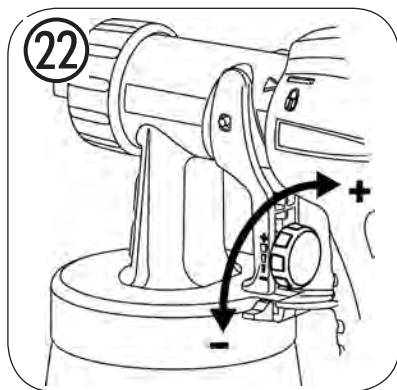


## 22. Setting the flow rate for the spray attachment (fig. 22).

Set the material volume by turning the regulator on the trigger of the spray gun.

lower material volume → turn anti-clockwise (-)

higher material volume → turn clockwise (+)



## 23. Spraying technique when using the spray attachment



The spray result depends heavily on the smoothness and cleanliness of the surface to be sprayed. Therefore the surface should be carefully prepared and kept free of dust.

- Cover all surfaces not to be sprayed.
- Cover screw threads or similar parts of the target object.



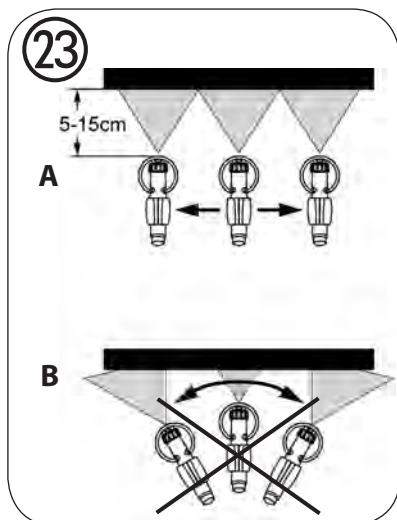
**Important: Start at the edge of the area to be sprayed. Start the spray movement first of all, and then press the trigger. Avoid interruptions within the area to be sprayed.**

- The spray movement should come from the arm, not just from the wrist. This ensures that a uniform distance is maintained between the spray gun and the spray surface during the spray operation. Select a distance of 5 - 15 cm, depending on the desired spray jet width.

**Fig. 23 A: CORRECT:** Even distance to the object.

**Fig. 23 B: INCORRECT:** An uneven distance will result in uneven paint application.

- Move the spray gun evenly cross-wise or up-and-down, depending on the spray pattern setting.
- An even movement of the spray gun results in an even surface quality.



## 24. Interruption of Work

- Turn the machine off. (Set the multifunction switch to "OFF")
- Put the spray attachment on the floor.
- When processing 2-component varnishes, clean the device immediately.
- Clean nozzle openings after an interruption in operation.

## 25. Switching off and cleaning the spray attachment

**Proper cleaning is the prerequisite for problem-free operation of the paint application device. No warranty claims are accepted in case of improper or no cleaning.**



The Clean function on the multifunction switch may not be used when cleaning the spray attachment.

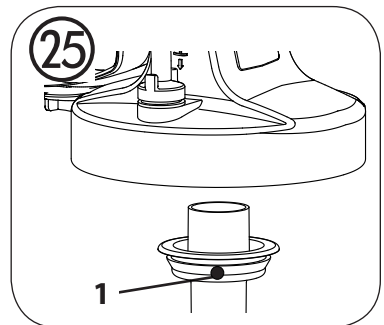
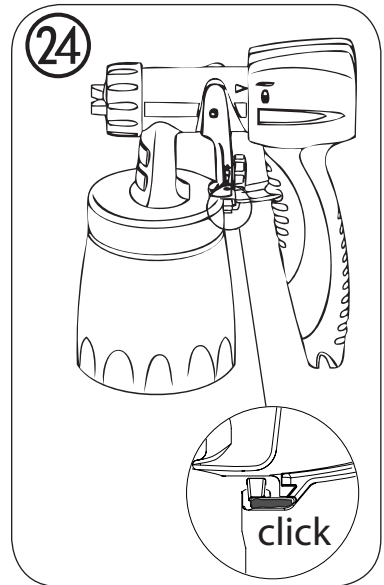
- Turn the machine off. (Set the multifunction switch to "OFF")
- Press the hook (Fig. 24 "click") slightly downwards. Turn the spray attachment and grab handle towards each other and detach.
- Unscrew the container. Empty any remaining coating material back into the material tin.
- Preclean the container and feed tube with a brush. Clean the ventilating bore (Fig. 25, 1)
- Pour water or solvent into the container. Screw the container back on.

**Do not use flammable materials for cleaning purposes.**

- Re-connect the spray attachment and the grab handle.
- Turn on the machine and spray the water or solvent into a container or a cloth.
- Repeat the above procedure until the water or solvent emerging from the nozzle is clear.
- Turn off the machine and remove the plug.
- Press the hook (Fig. 24 "click") slightly downwards. Turn the spray attachment and grab handle towards each other and detach.
- Screw of the container and empty it. Pull out the suction tub with container seal.

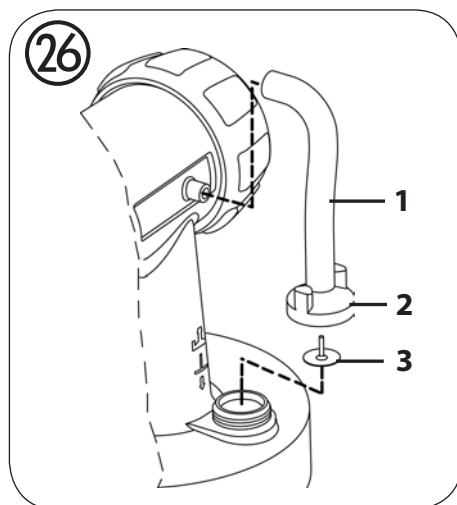
**CAUTION!** Never clean seals, diaphragm and nozzle or air holes of the spray gun with metal objects.

The ventilation hose and diaphragm are only solvent-resistant to a limited extent. Do not immerse in solvent, only wipe.





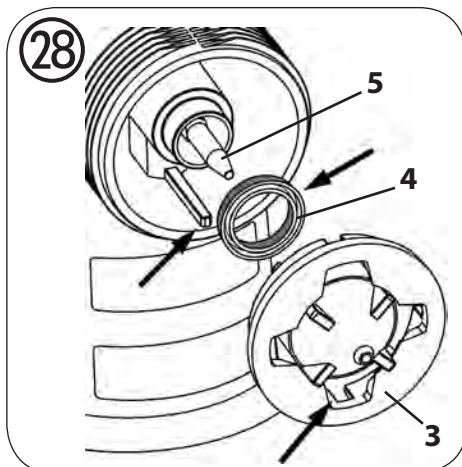
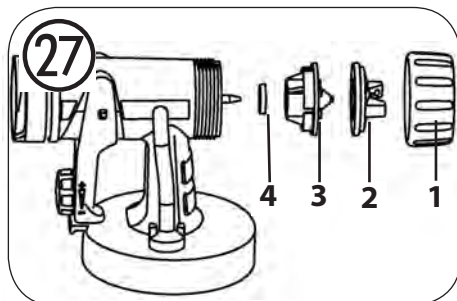
- Pull the ventilating hose (Fig. 26, 1) at the top from the gun body. Screw off the valve cover (2). Remove the diaphragm (3). Clean all the parts carefully.
- Unscrew the union nut (Fig. 27, 1) and remove the air cap (2) and nozzle (3). Clean the air cap, nozzle seal (4) and nozzle with a brush and solvent or water.
- Clean the spray attachment and the exterior of the container with a cloth that has been soaked in water or a solvent.
- Assemble the parts again (see "Assembly").



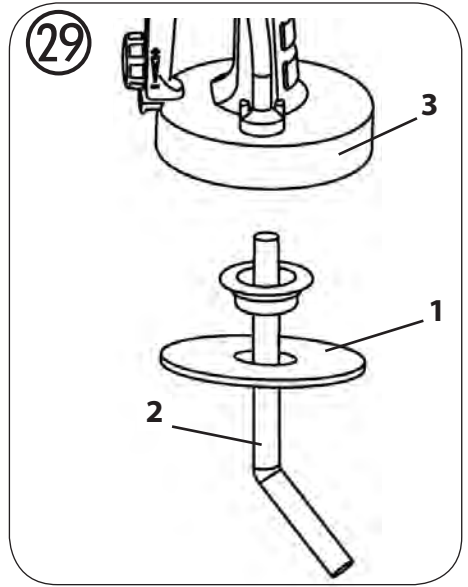
## Assembly

The unit may only be operated with an integer diaphragm (Fig. 26, 3).

- Place the diaphragm (Fig. 26, 3) with the pin facing upwards on the bottom section of the valve. Also see the marking on the gun body.
- Place on the valve cover (Fig. 26, 2) and screw it closed.
- Place the ventilating hose (Fig. 26, 1) on the valve cover and on the nipple at the gun body.
- Push the nozzle seal (fig. 28, 4) over the needle (5); the groove (slot) should point towards you.
- Put the nozzle (Fig. 28, 3) onto the gun body and find the correct position by turning it.
- Put the air cap (Fig. 27, 2) onto the nozzle and tighten it using the union nut (1).



- Place the container seal (Fig. 29, 1) from below on the suction tube (2) and slide it over the collar, while turning the container seal slightly.
- Insert the suction tube (Fig. 29, 2) with container seal in the gun body (3).



## 26. Correction of Malfunctions

Problem	Cause	Remedy
No coating material emerges from the nozzle	<ul style="list-style-type: none"> <li>• Nozzle clogged</li> <li>• Material volume setting turned too far to the left</li> <li>• Suction tube clogged</li> <li>• Suction tube loose</li> <li>• No pressure build-up in container</li> <li>• Ventilating bore (Fig. 25, 1) clogged</li> </ul>	<ul style="list-style-type: none"> <li>→ Clean</li> <li>→ Turn to the right</li> <li>→ Clean</li> <li>→ Insert</li> <li>→ Tighten container</li> <li>→ Clean</li> </ul>
Coating material drips from the nozzle	<ul style="list-style-type: none"> <li>• Coating material assembly at air cap, nozzle or needle</li> <li>• Nozzle loose</li> <li>• Nozzle seal is missing or worn</li> <li>• Nozzle worn</li> </ul>	<ul style="list-style-type: none"> <li>→ Clean</li> <li>→ Tighten</li> <li>→ Insert an intact nozzle seal</li> <li>→ Change</li> </ul>
Atomisation too coarse	<ul style="list-style-type: none"> <li>• Material volume too large Material volume adjusting screw turned too far to the right</li> <li>• Nozzle contaminated</li> <li>• Coating material too thick</li> <li>• Air filter heavily soiled</li> <li>• Too little pressure build-up in container</li> </ul>	<ul style="list-style-type: none"> <li>→ Turn material volume adjusting screw to the left</li> <li>→ Clean</li> <li>→ Dilute</li> <li>→ Change</li> <li>→ Tighten container</li> </ul>
Spray jet pulsates	<ul style="list-style-type: none"> <li>• Coating material in container running out</li> <li>• Nozzle seal is missing or worn</li> <li>• Air filter heavily soiled</li> </ul>	<ul style="list-style-type: none"> <li>→ Refill</li> <li>→ Insert an intact nozzle seal</li> <li>→ Change</li> </ul>
Coating material causes "paint tears"	<ul style="list-style-type: none"> <li>• Too much coating material applied.</li> </ul>	<ul style="list-style-type: none"> <li>→ Turn material volume adjusting screw to the left</li> </ul>
Too much fog of coating material (Overspray)	<ul style="list-style-type: none"> <li>• Distance to the object too large</li> <li>• Too much coating material applied</li> </ul>	<ul style="list-style-type: none"> <li>→ Reduce distance</li> <li>→ Turn material volume adjusting screw to the left</li> </ul>
Paint in the ventilating hose	<ul style="list-style-type: none"> <li>• Diaphragm soiled</li> <li>• Diaphragm defective</li> </ul>	<ul style="list-style-type: none"> <li>→ Clean the diaphragm</li> <li>→ Replace the diaphragm</li> </ul>

Problem	Cause	Remedy
Poor covering capacity on the wall	<ul style="list-style-type: none"> <li>• Spray material is too cold</li> <li>• Highly absorbent surface or paint with poor covering capacity</li> <li>• Distance too large</li> </ul>	<ul style="list-style-type: none"> <li>→ The material you are spraying should be at room temperature</li> <li>→ Cross spray (Fig. 11)</li> <li>→ Closer to the object</li> </ul>

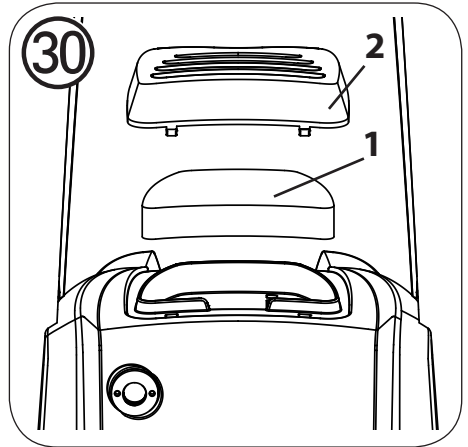
## 27. Maintenance

Check the air filter (fig. 30, 1) after use and replace depending on how soiled it is. Insert a new air filter (order no. 2310 812) and replace the lid (2).



**WARNING!** Never operate the machine without the air filter; dirt could be sucked in and interfere with the function of the machine.

**To make assembly easier, apply lubricant (enclosed) to the specified areas after cleaning (fig. 31).**

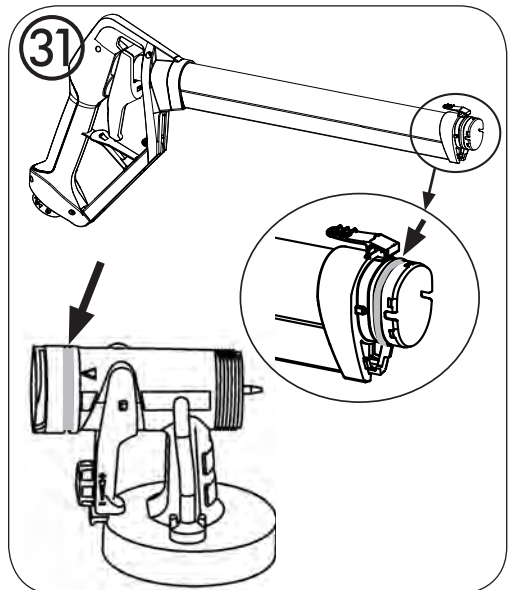


## 28. Storage



After assembly, the air pipe and grab handle can no longer be separated. Do not try to disassemble them by force!

- Store the device only when cleaned properly.
- Release the pull wire.
- Release the trigger stop.



## 29. Spare Parts



The pictures of spare parts can be found on the page that folds out at the end of the operating manual.

### Spare Parts List: Spray lance (Fig. A1)

Pos.	Designation	Order No.
1,2	Spray jet adjustment ring, union nut *	2310 811
3,4,5,6	Nozzle set *	2310 810
6	Nozzle seal (2 pcs.)	2304 433
1-7	Complete spray head *	2344 435
8	Spray head cover	2308 176
9	O-ring	2308 158
9,10	Spray lance *	2344 436

### Spare Parts List: Perfect Spray spray attachment (Fig. A2)

Pos.	Designation	Order No.
	Perfect Spray spray attachment complete with 800 ml container	0417 914
1	Union nut	0417 319
2	Air cap	2305 129
3	Nozzle	2305 131
4	Nozzle seal	0417 706
5	O-ring of spray attachment	0417 308
6	Ventilating hose, valve cover, diaphragm	2304 027
7	Suction tube	0417 357
8	Container seal	0417 358
9	Container with cover 800 ml	0413 909

### Spare Parts List: Flexio 995 (Fig. A3)

Pos.	Designation	Order No.
1	Air hose	2308 127
2	Securing clip	2308 123
3	Material hose and control hose *	2314 168
4	Complete suction hose	2308 116
5	Air filter cover	2308 132
6	Air filter (2pcs.)	2310 812
7	Grab handle for Click&Paint spray attachments	0414 240
8	Adapter for Click&Paint grab handle	2344 437

**Spare Parts List: Flexio 995 (Fig. A3)**

9	Stirring rod	2304 419
	Lubricating grease	2315 539

\* Denotes parts that can only be purchased together and not individually.

**30. Accessories**

The **CLICK&PAINT SYSTEM** with additional spray attachments and accessories offers the right tool for each work.

**Accessories (not included in the delivery)**

Name	Order No.
<b>Brilliant spray attachment incl. 600 ml container</b> Optimised nozzle and air guidance for brilliant paint results	0417 932
<b>Small-scale spray attachment incl. 250 ml container</b> For filigree objects, detailed and creative work.	0417 918
<b>Perfect Spray spray attachment incl. 1400 ml container</b> Rapid working at larger objects such as timber houses, garage doors, etc.	0417 917
<b>Detail / Radiator spray attachment incl. 600 ml container</b> For inaccessible places, such as radiators, cupboard corners, recesses etc.	0417 915
<b>WallPerfect I-Spray spray attachment incl. 1800 ml container</b> For processing solvent-based interior wall paint.	2326 477

Further information about the **WAGNER** range of products for renovating is available under [www.wagner-group.com](http://www.wagner-group.com)

## 31. Technical Data

Technical Data	
Max. viscosity:	
Interior wall paint	4000 mPas
Power source:	230 V ~ , 50 Hz
Power consumption:	630 W
Atomizing output:	200 W
Max. flow rate:	
Interior wall paint	525 ml/min
Double insulation:	<input type="checkbox"/>
Sound pressure level*:	76 dB (A); Uncertainty K = 4 dB
Sound pressure output*:	89 dB (A); Uncertainty K = 4 dB
Oscillation level*:	< 2,5 m/s <sup>2</sup> ; Uncertainty K = 1,5 m/s <sup>2</sup>
Luftschlauchlänge:	3,5 m
Gewicht:	5,8 kg

\* Measured in accordance with EN 60745

### Information about the oscillation level

The specified oscillation level has been measured according to a standard test procedure and can be used to compare against electric tools.

The oscillation level is also for determining an initial assessment of the vibrational strain.

**Attention!** The vibration emission value can differ from the specified value when the electric tool is actually in use, depending on how the electric tool is being used. It is necessary to specify safety measures to protect the operating personnel. These measures are based on an estimated shutdown during the actual conditions of use (all parts of the operating cycle are taken into consideration here, for example periods when the electric tool is switched off, and, when it is switched on but running without any load).

### Environmental protection



The device and all accessories and packaging have to be recycled in an environmentally friendly manner. Do not dispose of the appliance with household waste. Support environmental protection by taking the appliance to a local collection point or obtain information from a specialist retailer. Leftover paint and solvents may not be emptied into drains, the sewage system or disposed of as household rubbish. It has to be disposed of separately as special waste. Please pay special attention to the instructions on the product packaging.

## Important Note regarding Product Liability!

According to an EU directive, the manufacturer is only liable without limitation for faults in the product if all parts come from the manufacturer or have been approved by the manufacturer and have been mounted to the device and are operated properly. If third-party accessories or spare parts are used, the manufacturer is exonerated wholly or partly from his/her liability if use of the third-party accessories or spare parts have caused a defect in the product.

### 2 years guarantee

The guarantee runs for two years, counting from the date of sale (sales slip). It covers and is restricted to free-of-charge rectification of faults which are demonstrably attributable to the use of faulty materials in manufacture, or assembly errors; or free-of-charge replacement of the defective parts. The guarantee does not cover incorrect use or commissioning or fitting or repair work which is not stated in our operating instructions. Wearing parts are also excluded from the guarantee. The guarantee excludes commercial use. We expressly reserve the right to fulfil the guarantee. The guarantee expires if the tool is opened up by persons other than WAGNER service personnel. Transport damage, maintenance work and loss and damage due to faulty maintenance work are not covered by the guarantee. Under any guarantee claim, there must be proof of purchase of the tool through submission of the original receipt. Wherever legally possible, we exclude all liability for injury, damage or consequential loss, especially if the tool has been used for a purpose other than that stated in the operating instructions, commissioned or repaired other than in accordance with our operating instructions or if repairs are performed by someone who is unqualified. We reserve the right to perform any repairs in excess of those stated in our operating instructions. In case of guarantee or repair, please refer to your point of sale.



**D CE Konformitätserklärung**

Wir erklären in alleiniger Verantwortung, dass dieses Produkt den folgenden einschlägigen Bestimmungen entspricht:

2006/42/EG; 2004/108/EG; 2011/65/EG; 2002/96/EG

Angewandte harmonisierte Normen:

EN 60335-1:2012; EN 50580:2012; EN 55014-1:2006 + A1:2009 + A2:2011;  
EN 55014-2:1997 + Corrigendum 1997 + A1:2001 + A2:2008;  
EN 61000-3-2:2006 + A1:2009 + A2:2009; EN 61000-3-3:2008; EN 62233:2008

**GB CE Declaration of Conformity**

We declare under sole responsibility that this product conforms to the following relevant stipulations:

2006/42/EG; 2004/108/EG; 2011/65/EG; 2002/96/EG

Applied harmonised norms:

EN 60335-1:2012; EN 50580:2012; EN 55014-1:2006 + A1:2009 + A2:2011;  
EN 55014-2:1997 + Corrigendum 1997 + A1:2001 + A2:2008;  
EN 61000-3-2:2006 + A1:2009 + A2:2009; EN 61000-3-3:2008; EN 62233:2008

**F CE Déclaration de conformité**

Nous déclarons sous notre responsabilité que ce produit est en conformité avec les réglementations suivantes :

2006/42/EG; 2004/108/EG; 2011/65/EG; 2002/96/EG

Conforme aux normes et documents normalisés :

EN 60335-1:2012; EN 50580:2012; EN 55014-1:2006 + A1:2009 + A2:2011;  
EN 55014-2:1997 + Corrigendum 1997 + A1:2001 + A2:2008;  
EN 61000-3-2:2006 + A1:2009 + A2:2009; EN 61000-3-3:2008; EN 62233:2008

**NL CE Conformiteitsverklaring**

Wij verklaren dat dit product voldoet aan de volgende normen:

2006/42/EG; 2004/108/EG; 2011/65/EG; 2002/96/EG

En normatieve documenten:

EN 60335-1:2012; EN 50580:2012; EN 55014-1:2006 + A1:2009 + A2:2011;  
EN 55014-2:1997 + Corrigendum 1997 + A1:2001 + A2:2008;  
EN 61000-3-2:2006 + A1:2009 + A2:2009; EN 61000-3-3:2008; EN 62233:2008



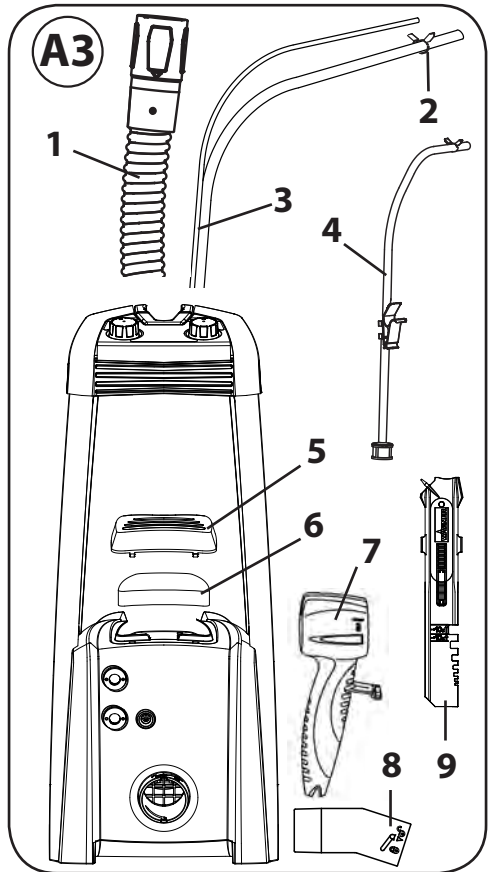
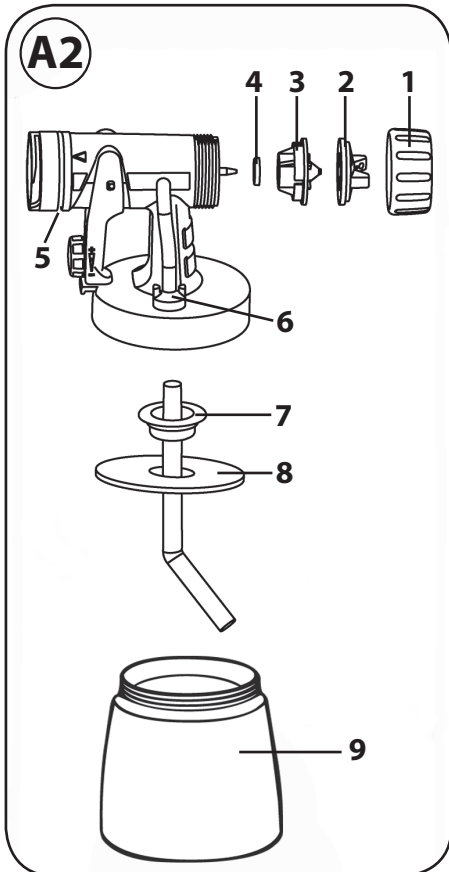
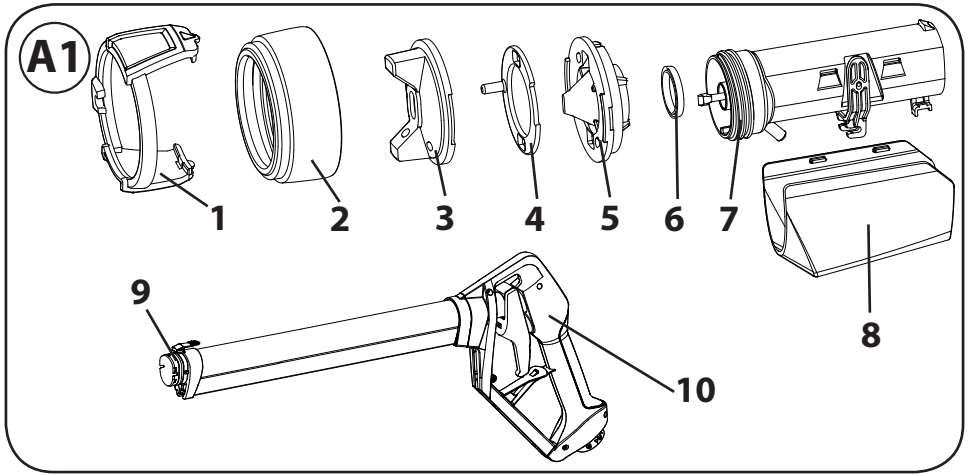
i.V. T. Jeltsch  
Senior Vice President  
Global Product Strategy & Planning



i. V. J. Ulbrich  
Vice President Engineering

Dokumentationsverantwortlicher  
Responsible person for documents  
Responsable de la documentation  
Documentatieverantwoordelijke

ÜBERSICHT / OVERVIEW / APERÇU GÉNÉRAL / OVERZICHT





Auf der Rückseite dieser Ausklappseite befinden sich die Ersatzteilbilder.  
Die dazugehörigen Ersatzteillisten finden Sie in Kapitel 29.



The pictures of spare parts can be found on the back of this fold-out page.  
The related spare part lists can be found in chapter 29.



Les illustrations des pièces de rechange se trouvent au dos de cette page dépliant.  
Vous trouverez les listes de pièces de rechange correspondantes au chapitre 29.



Op de achterkant van deze uitklappagina bevinden zich de afbeeldingen van de reserveonderdelen.  
De bijbehorende reserveonderdelenlijsten vindt u in hoofdstuk 29.

**D** **J. Wagner GmbH**  
 Otto-Lilienthal-Str. 18  
**D-88677 Markdorf**  
 ☎ Hotline 0180 5 59 24 637  
 ☎ +49/ (0) 75 44/ 505-1169

**CZ** **E-Coreco s.r.o.**  
 Na Roudné 102  
**301 00 Plzeň**  
 ☎ +420 734 792 823 ☎ +420 227 077 364

**B** **Wagner Spraytech Belgie**  
 Veilinglaan 56-58  
**1861 Meise-Wolvertem**  
 ☎ +32/2/2 69 46 75 ☎ +32/2/2 69 78 45

**E** **J. Wagner Spraytech Ibérica S.A.**  
 Ctra. N-340, Km 1245,4  
**08750 Molins de Rei (Barcelona)**  
 ☎ +34/93/6 80 00 28 ☎ +34/93/6 68 01 56

**F** **Wagner France S.a.r.l.**  
 12 Avenue des Tropiques  
 Z.A. de Courtaboeuf  
**91978 Les Ulis Cedex**  
 ☎ 0 825 011 111 ☎ +33 (0) 1 69 81 72 57

**SLO** Adresa servisa:  
**GMA Elektromehanika d.o.o.**  
 Cesta Andreja Bitenca 115,  
**Ljubljana 1000/Slovenija**  
 ☎ +386(1)/583 83 04 ☎ +386(1)/518 38 03

**DK/S** **Wagner Spraytech Scandinavia A/S**  
 Helgeshøj Allé 28  
**DK-2630 Tåstrup**  
 ☎ +45/43 27 18 18 ☎ +45/43 43 05 28

**H** Magyarországi szerviz  
**Hondimpex KFT.**  
 Kossuth L. u. 48-50  
**8060 Mór**  
 ☎ +36(-22)/407 321 ☎ +36(-22)/407 852

**CH** **J. Wagner AG**  
 Industriestraße 22  
**9450 Altstätten**  
 ☎ +41/71/7 57 22 11 ☎ +41/71/7 57 23 23

**PL** **PUT Wagner Service**  
 ul. E. Imieli 14  
**41-605 Swietochlowice**  
 ☎ +48/32/2 45 06 19 ☎ +48/32/2 41 42 51

**SK** **Phobos Corporation Spol.r.o**  
 Stanicna 6, 92700 Sala  
**Slowakei**  
 ☎ +421/31/7 70 78 84 ☎ +421/31/7 70 22 42

**HR** Adresa servisa:  
**EL-ME-HO**  
 Horvatinićev put 2  
**10436 Rakov Potok/Kroatien**  
 ☎/☎ +385(-1)65 86 - 028

**NL** **Wagner Spraytech Benelux B.V.**  
 De Heldinnenlaan 200  
**3543 MB Utrecht**  
 ☎ +31/30/2 41 41 55 ☎ +31/30/2 41 17 87

**AUS** **Wagner Spraytech Australia Pty. Ltd.,**  
 14-16 Kevlar Close,  
**Braeside, VIC 3195/Australia**  
 ☎ +61/3/95 87 20 00 ☎ +61/3/95 80 91 20

**GB** **Wagner Spraytech (UK) Ltd.**  
 The Coach House  
 2 Main Road  
**Middleton Cheney OX17 2ND**  
 ☎ 01295 714200 ☎ 01295 710100

[www.wagner-group.com](http://www.wagner-group.com)

## Free Manuals Download Website

<http://myh66.com>

<http://usermanuals.us>

<http://www.somanuals.com>

<http://www.4manuals.cc>

<http://www.manual-lib.com>

<http://www.404manual.com>

<http://www.luxmanual.com>

<http://aubethermostatmanual.com>

Golf course search by state

<http://golfingnear.com>

Email search by domain

<http://emailbydomain.com>

Auto manuals search

<http://auto.somanuals.com>

TV manuals search

<http://tv.somanuals.com>