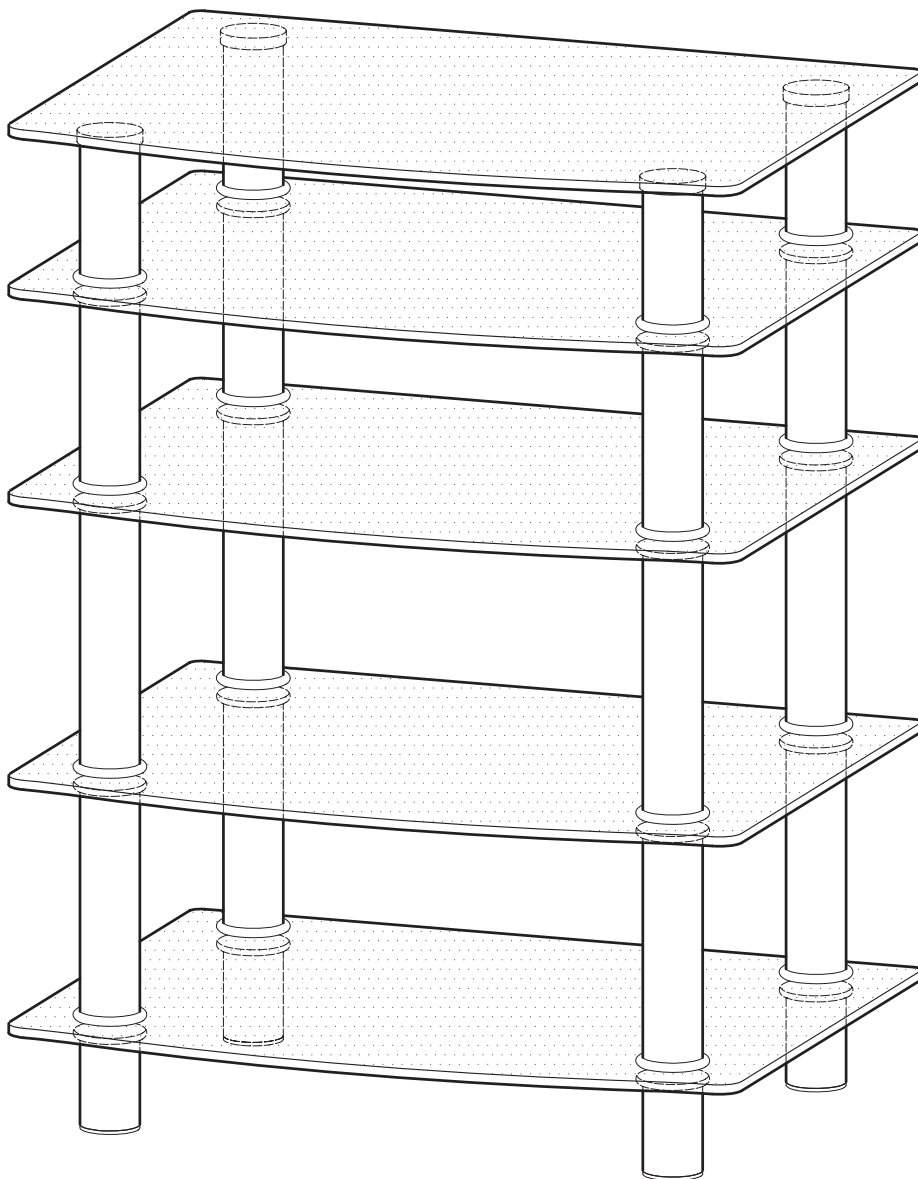




Walker
Edison

furniture company

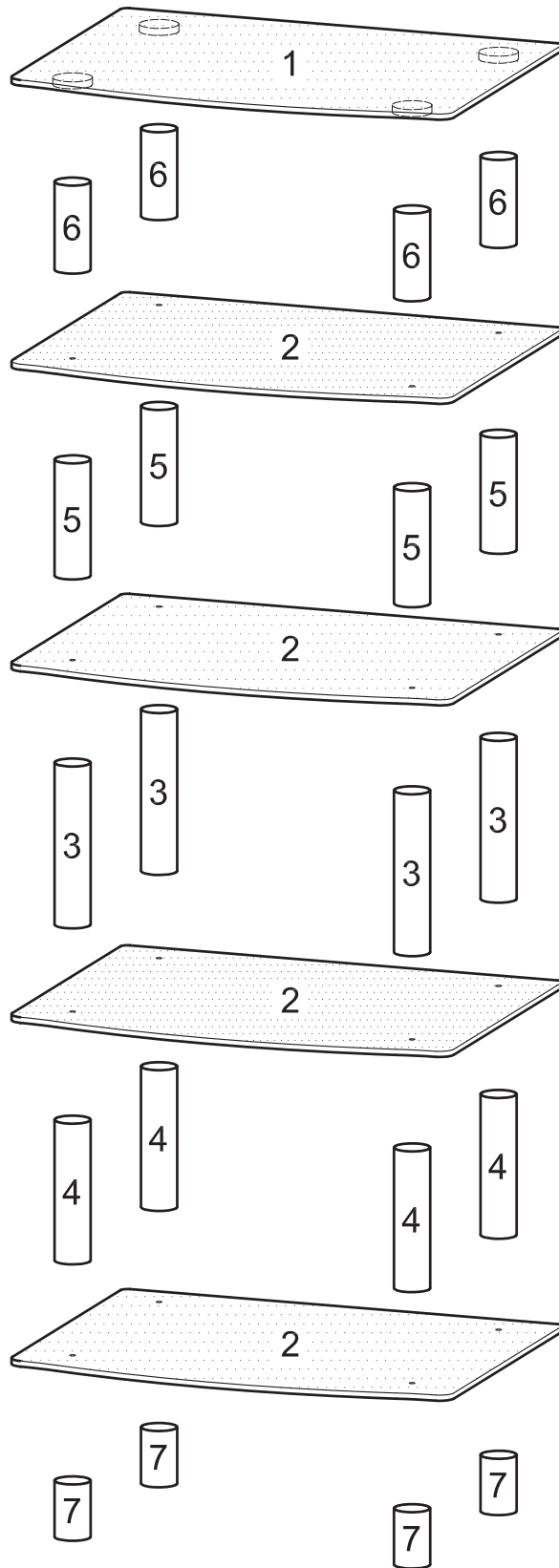
Item #: V35CMP
Assembly Instructions







For our most current instructions, to request missing, lost or broken parts, or for any other Customer Service issues, please visit our website at www.walkeredison.com or call us at 877-207-5906.

Revised 11/2010

Parts List

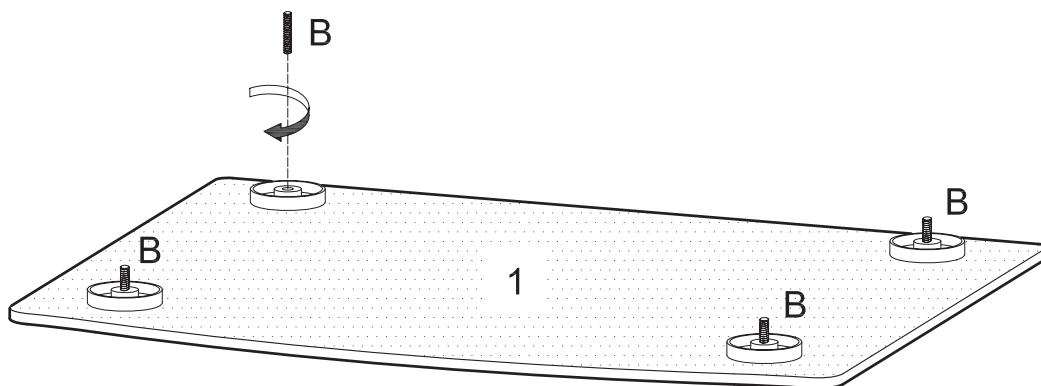


Hardware List

A		2" L	Long rod	16 pcs
B		1-1/2" L	Short rod	4 pcs
C			Decorative ring	32 pcs
D			Cap	4 pcs

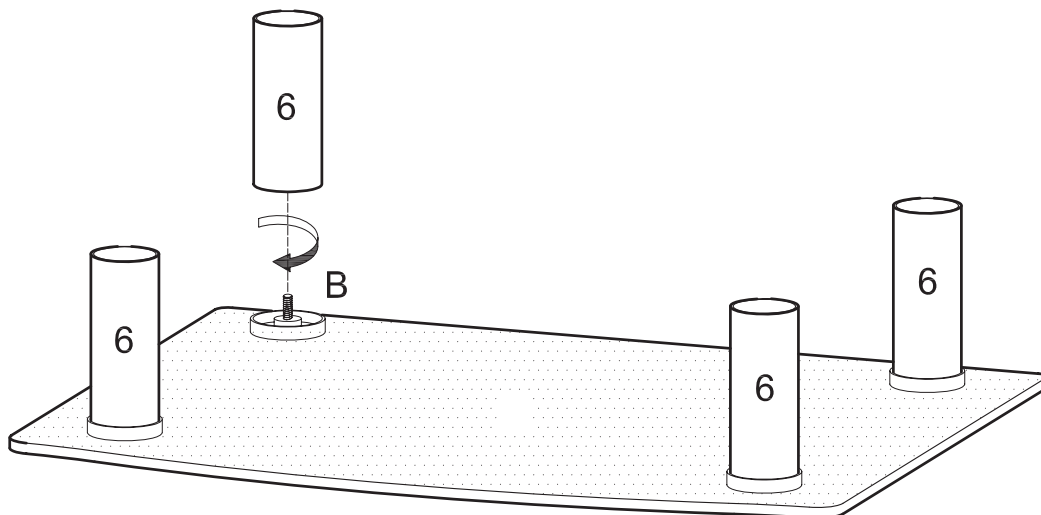
*The hardware quantities listed above are required for proper assembly.
Some extra hardware may also have been included.*

Step 1



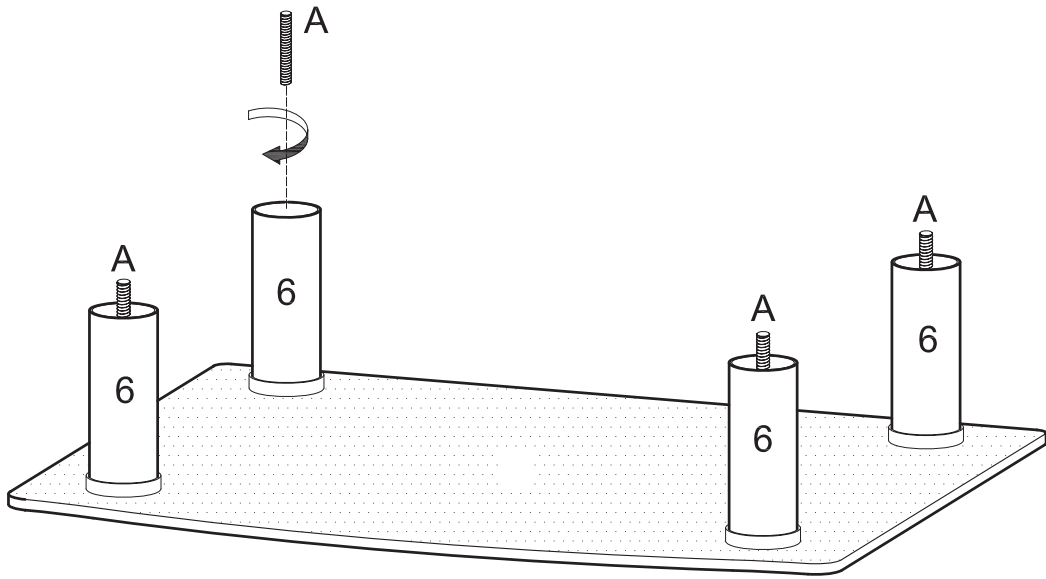
Carefully lay glass top (1) upside down on a soft surface. Screw short rods (B) into the metal plates of glass top (1).

Step 2



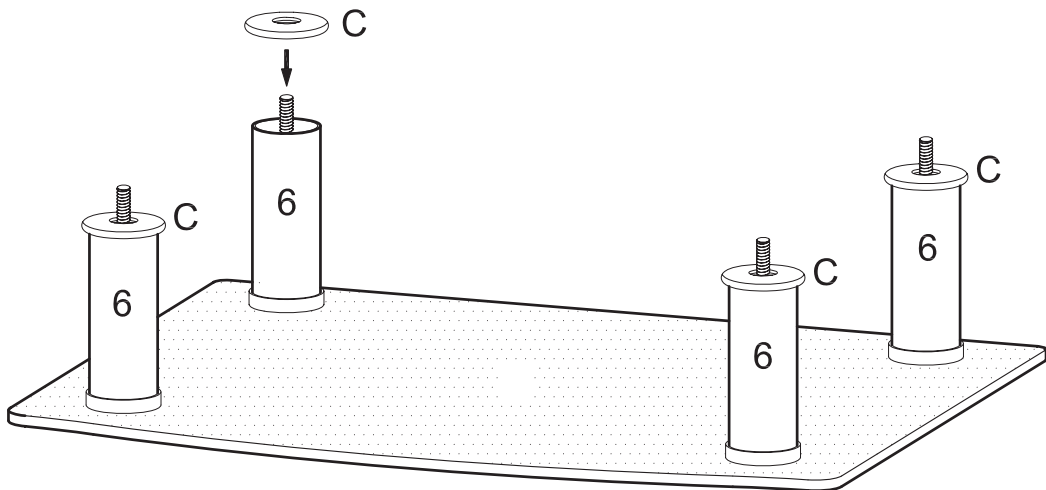
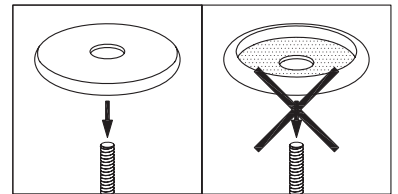
Screw cylinders (6) onto short rods (B).

Step 3



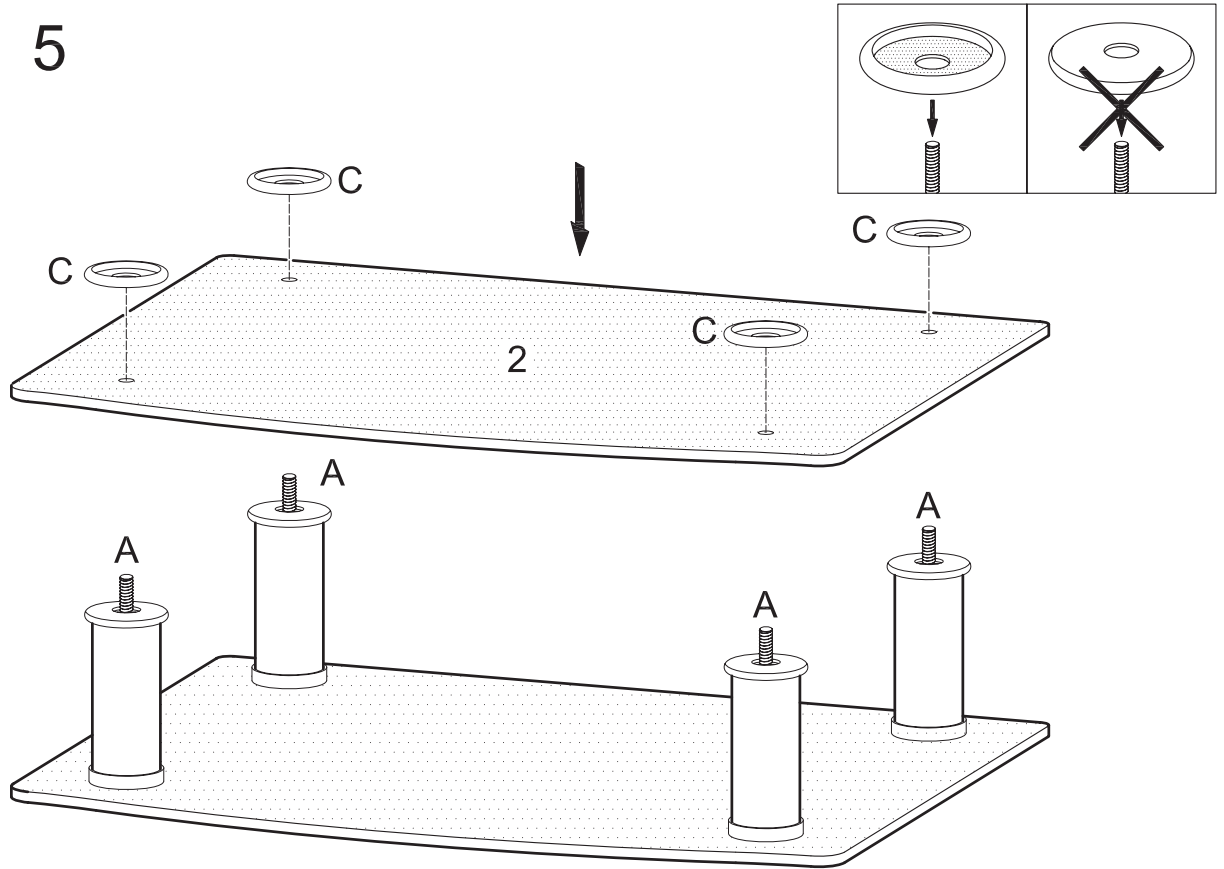
Screw long rods (A) into cylinders (6).

Step 4



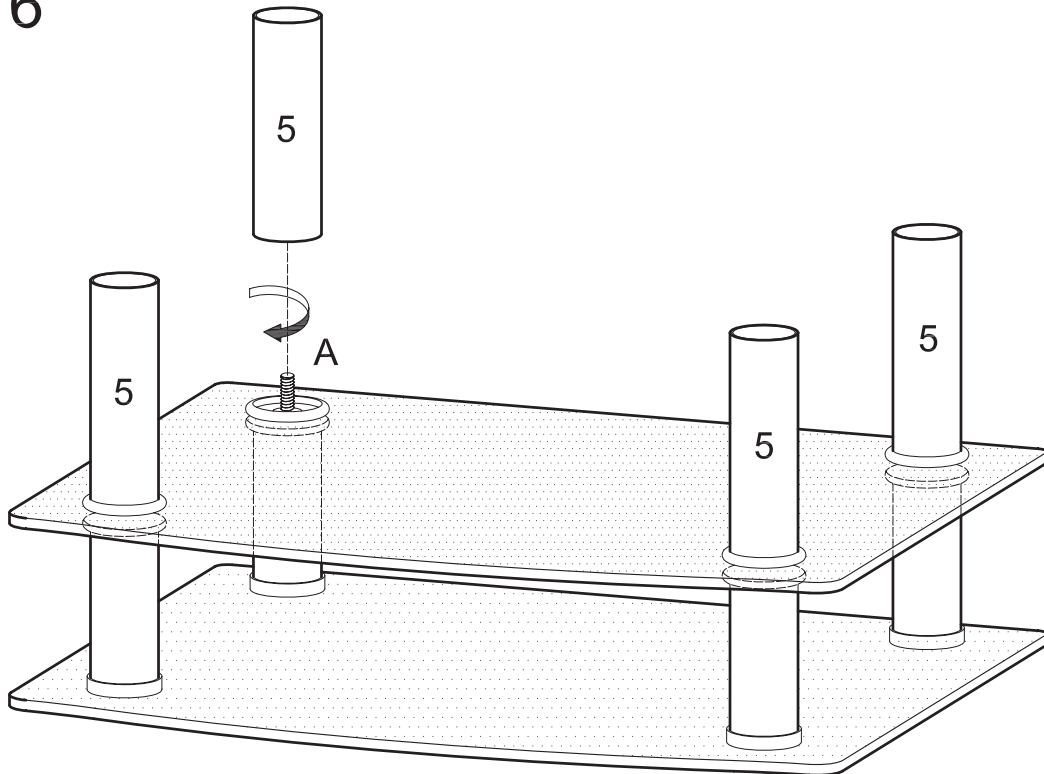
Snap decorative rings (C) onto cylinders (6).

Step 5



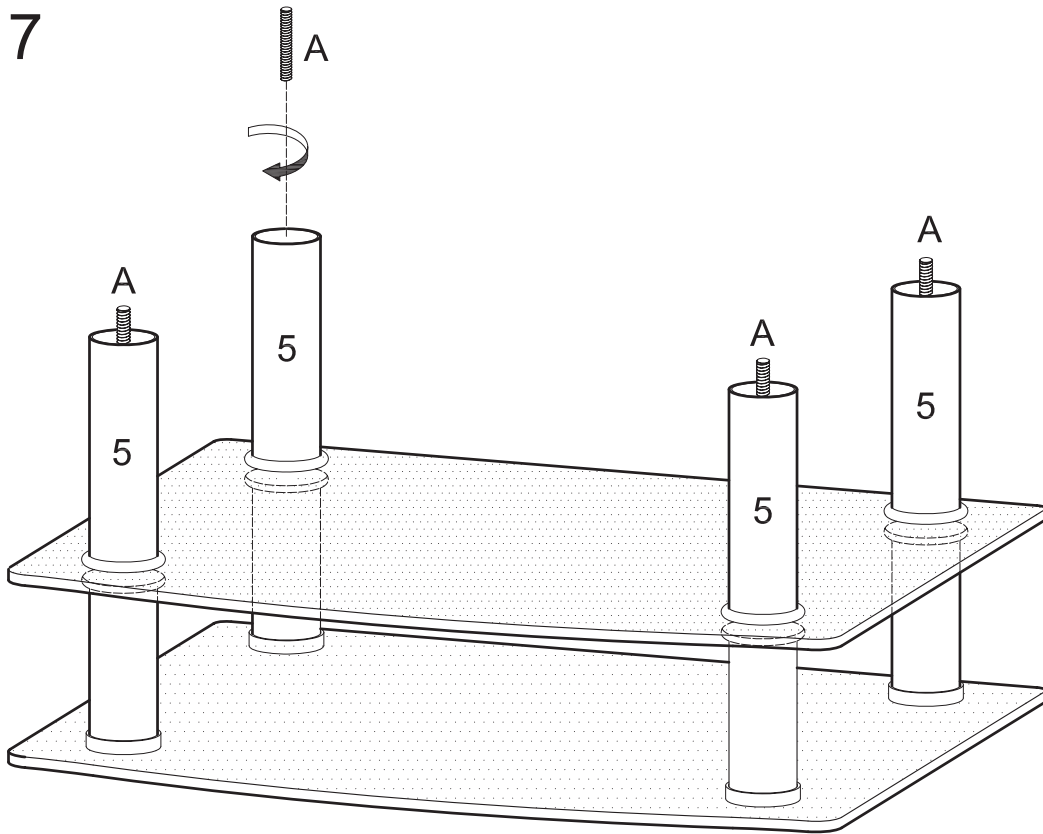
Carefully lay glass shelf (2) in place using long rods (A) as guides. Place decorative rings (C) over long rods (A).

Step 6



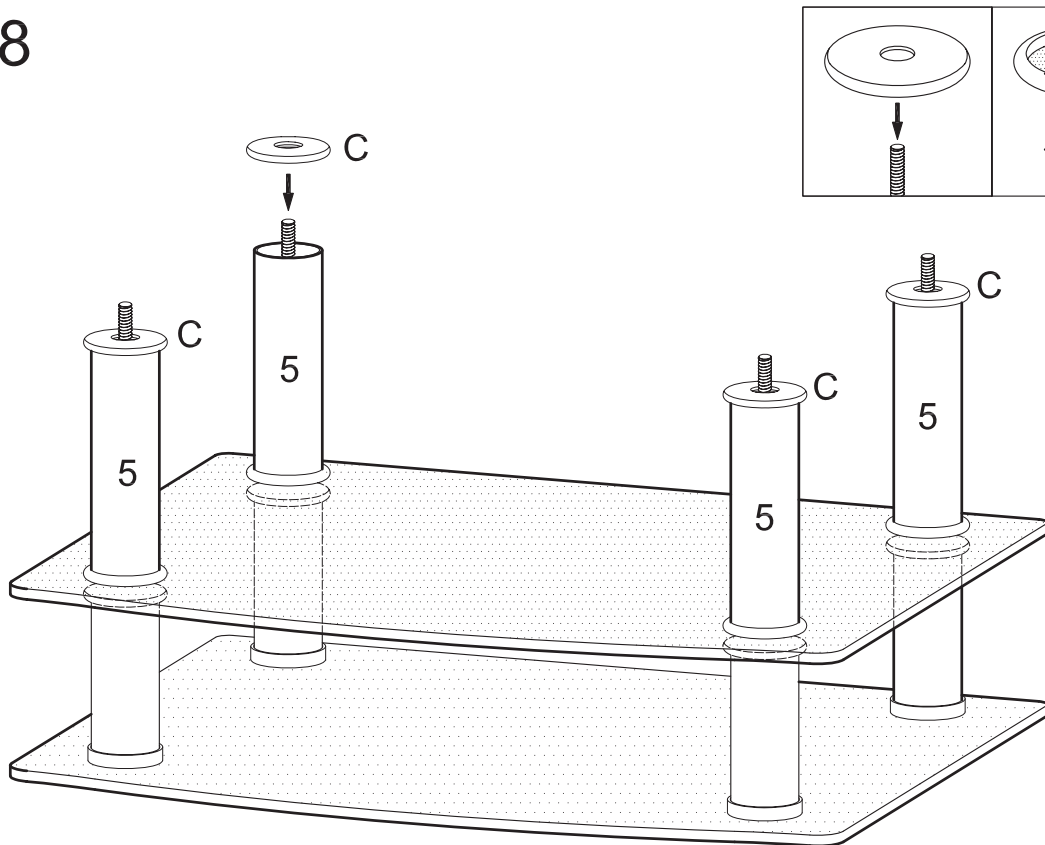
Screw cylinders (5) onto long rods (A). Note that cylinders (5) will fit snugly inside the decorative rings placed in the previous step.

Step 7



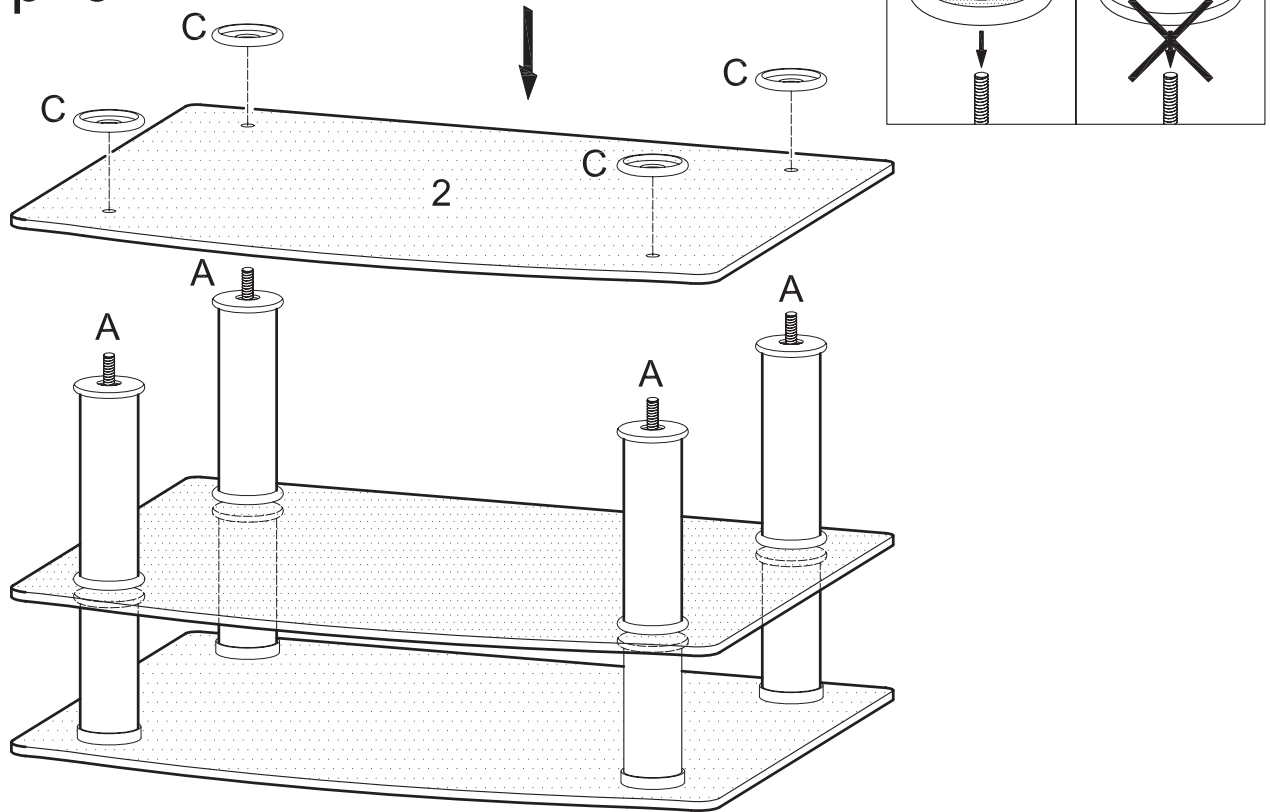
Screw long rods (A) into cylinders (5).

Step 8



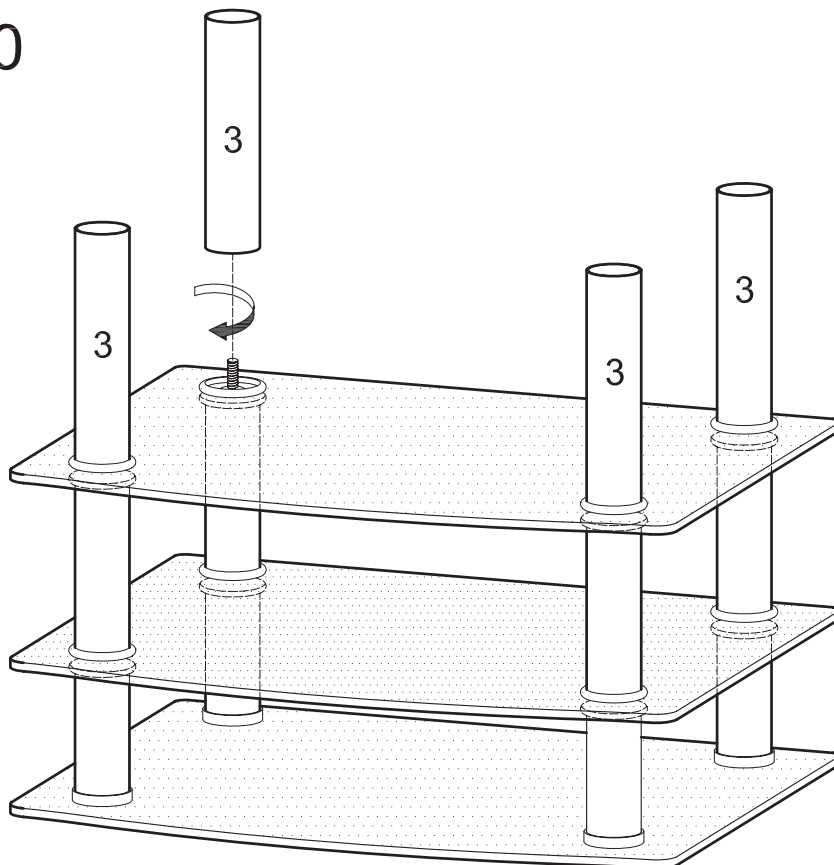
Snap decorative rings (C) onto cylinders (5).

Step 9



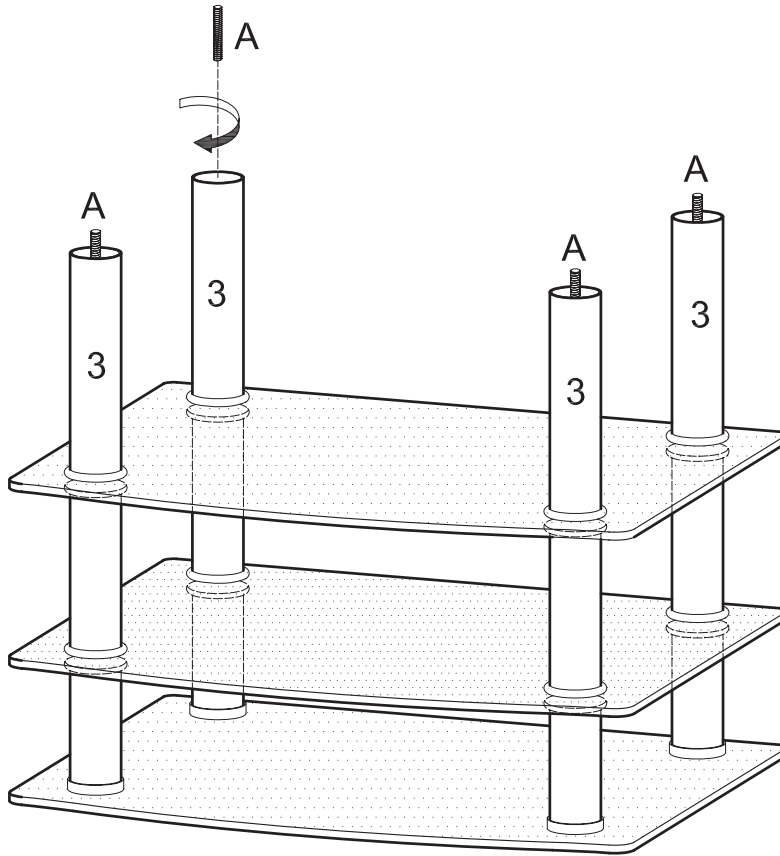
Carefully lay glass shelf (2) in place using long rods (A) as guides. Place decorative rings (C) over long rods (A).

Step 10



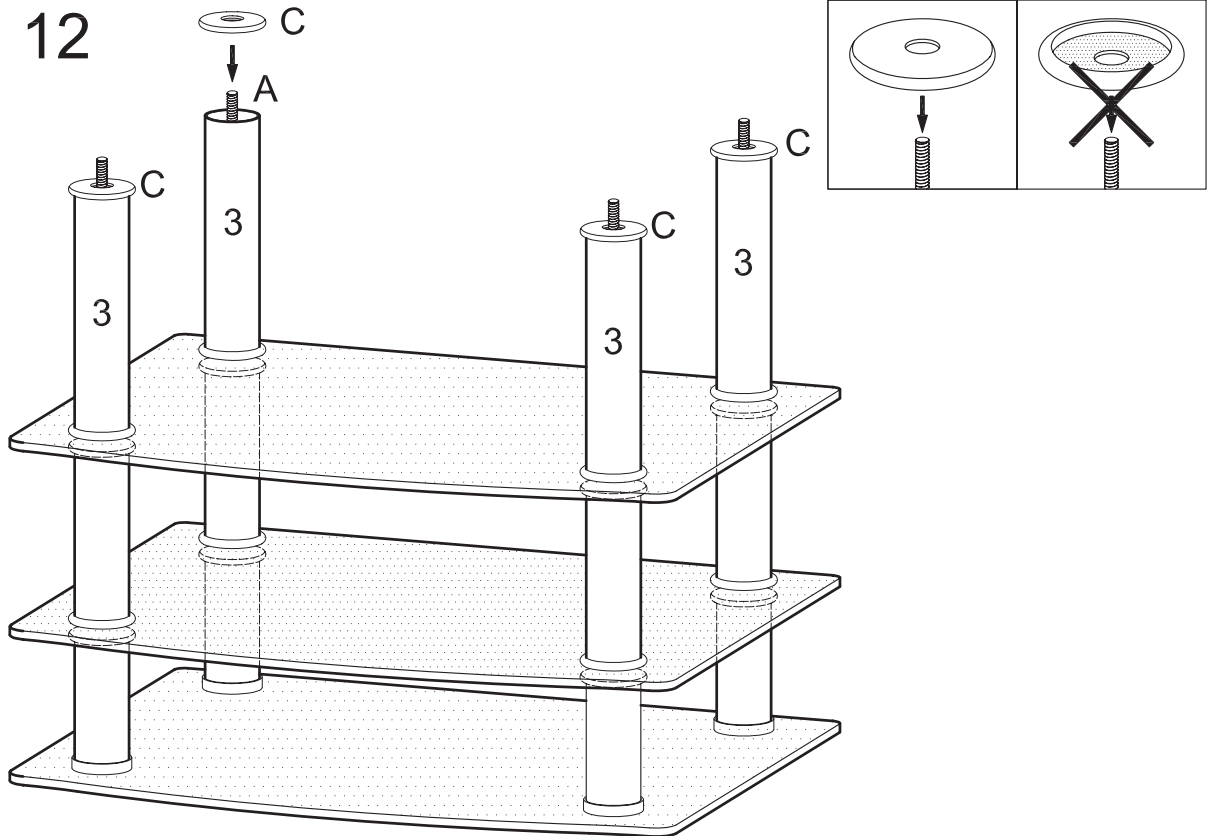
Screw cylinders (3) onto long rods (A). Note that cylinders (3) will fit snugly inside the decorative rings placed in the previous step.

Step 11



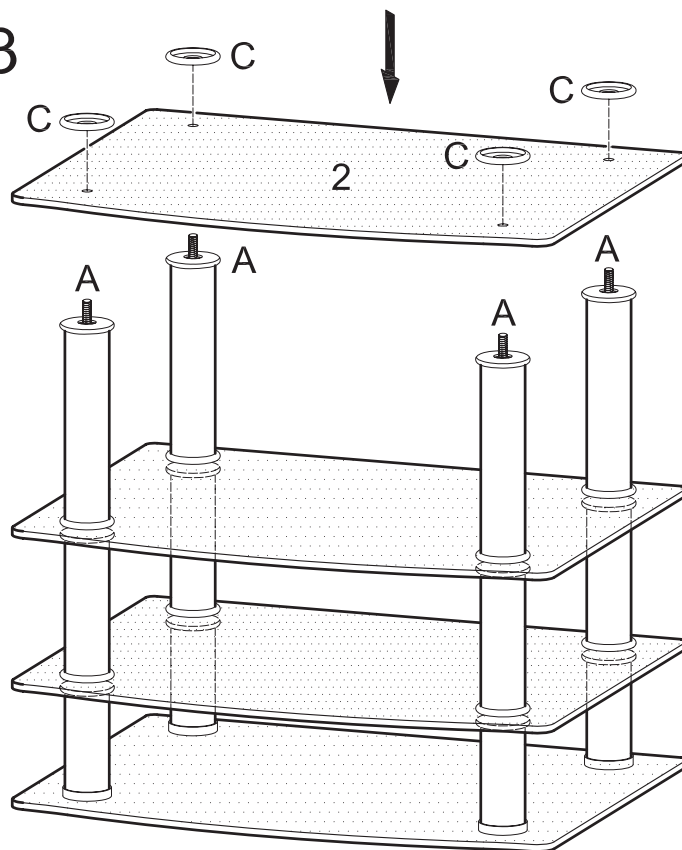
Screw long rods (A) into cylinders (3).

Step 12



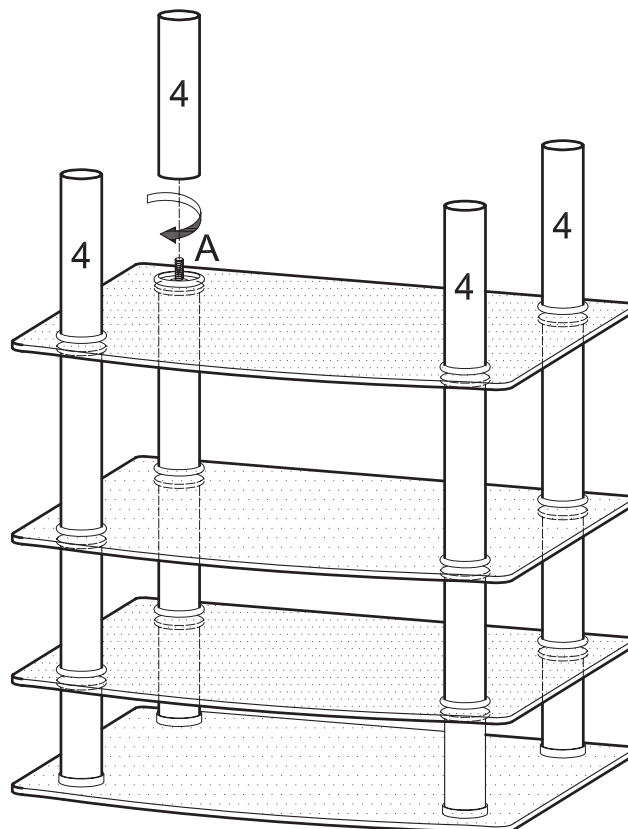
Snap decorative rings (C) onto cylinders (3).

Step 13



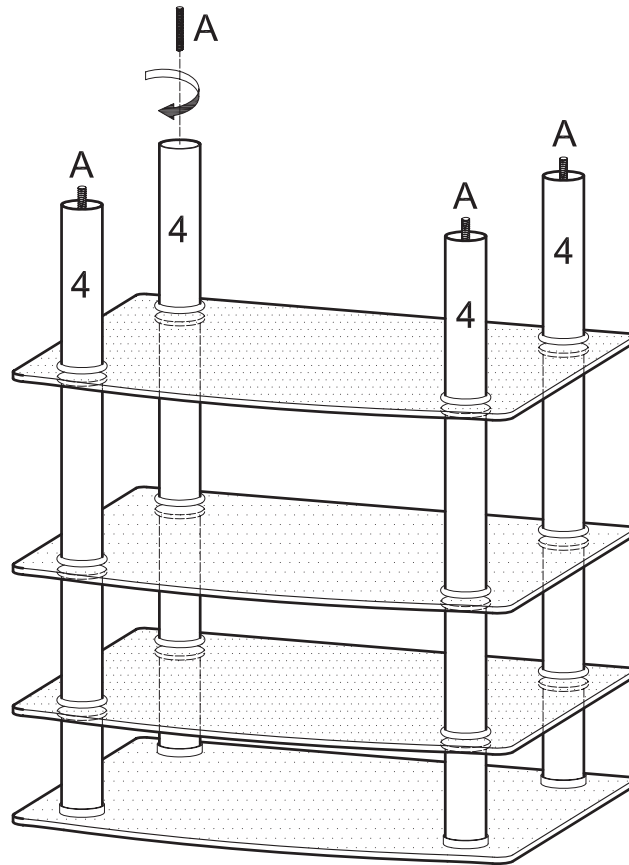
Carefully lay glass shelf (2) in place using long rods (A) as guides. Place decorative rings (C) over long rods (A).

Step 14



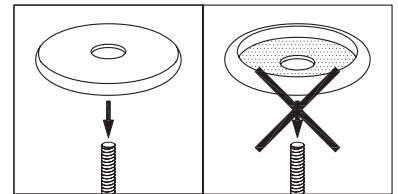
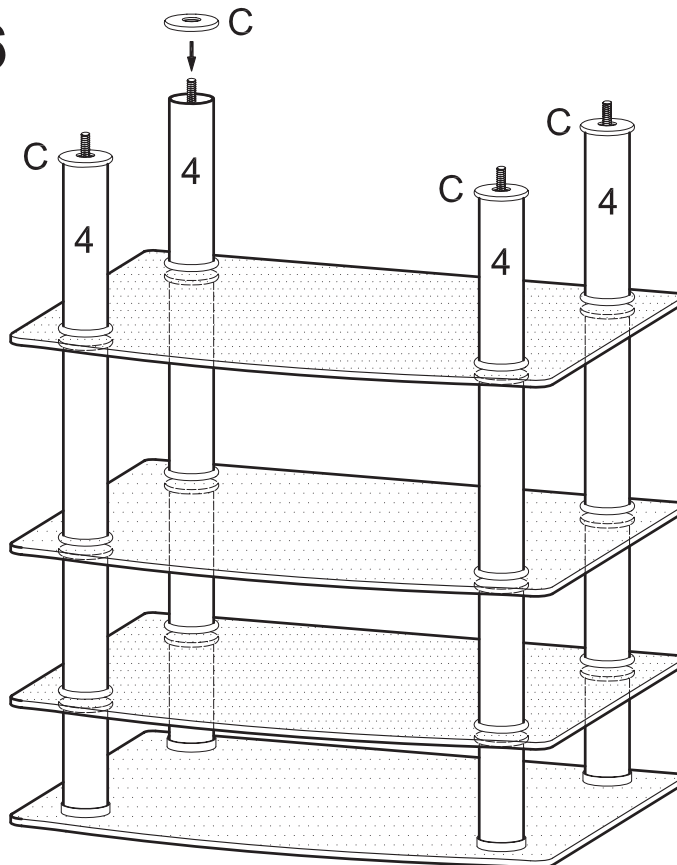
Screw cylinders (4) onto long rods (A). Note that cylinders (4) will fit snugly inside the decorative rings placed in the previous step.

Step 15



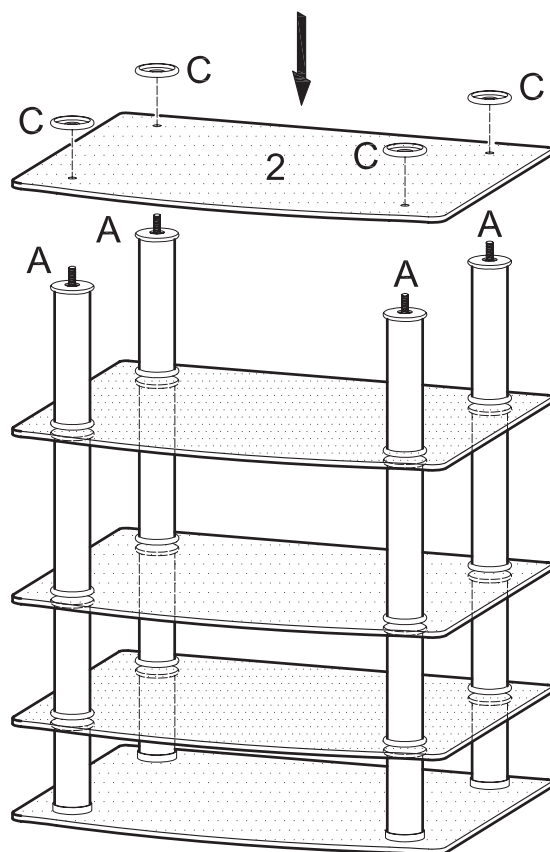
Screw long rods (A) into cylinders (4).

Step 16



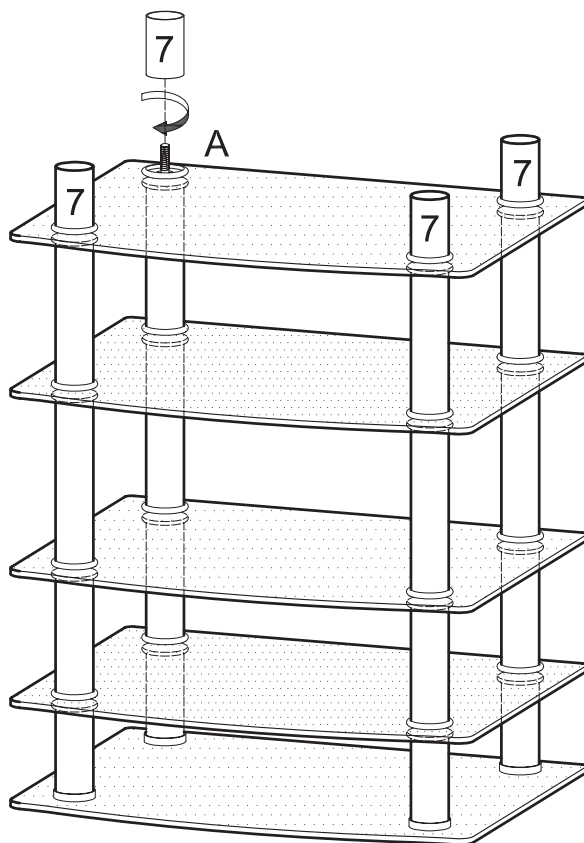
Snap decorative rings (C) onto cylinders (4).

Step 17



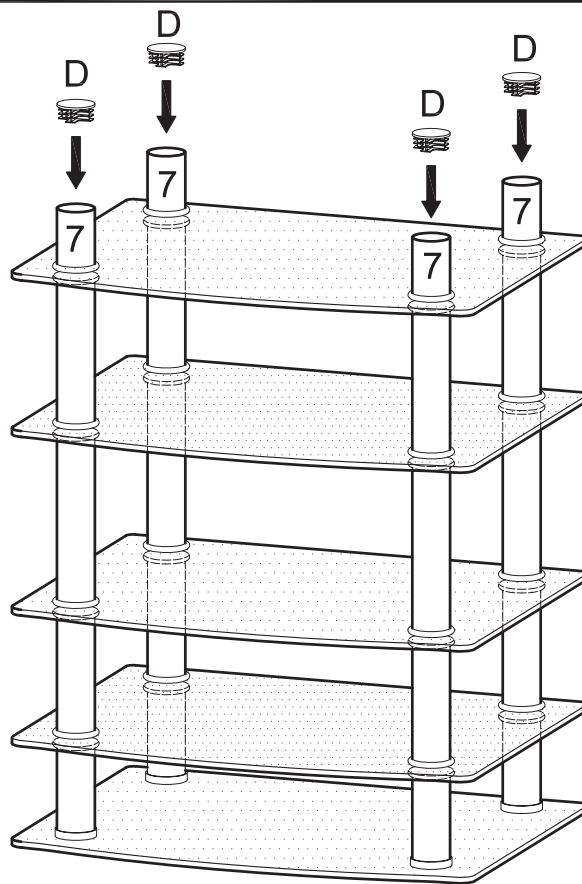
Carefully lay glass shelf (2) in place using long rods (A) as guides. Place decorative rings (C) over long rods (A).

Step 18



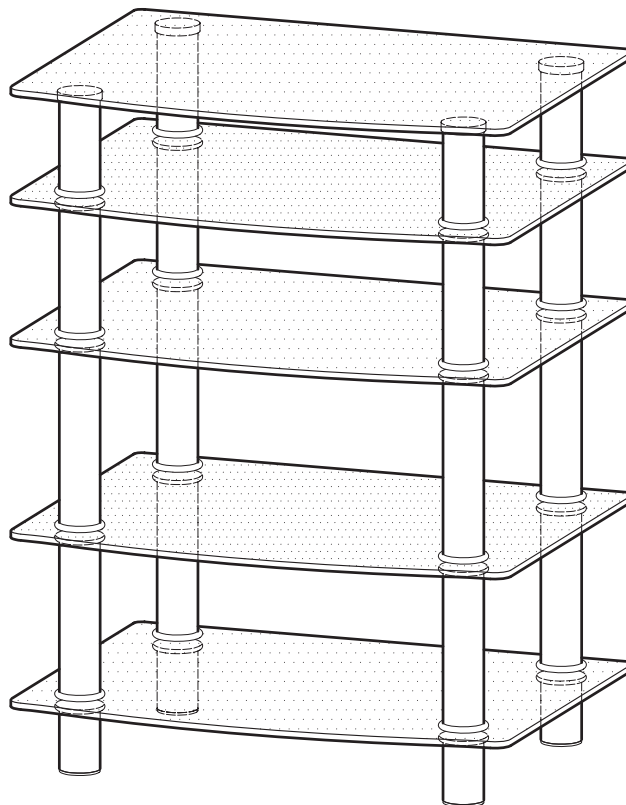
Screw cylinders (7) onto long rods (A). *Note that cylinders (7) will fit snugly inside the decorative rings placed in the previous step.*

Step 19



Insert caps (D) into cylinders (7). *Note that caps (D) may come pre-inserted into cylinders (7).*

Step 20



Final Assembly

Free Manuals Download Website

<http://myh66.com>

<http://usermanuals.us>

<http://www.somanuals.com>

<http://www.4manuals.cc>

<http://www.manual-lib.com>

<http://www.404manual.com>

<http://www.luxmanual.com>

<http://aubethermostatmanual.com>

Golf course search by state

<http://golfingnear.com>

Email search by domain

<http://emailbydomain.com>

Auto manuals search

<http://auto.somanuals.com>

TV manuals search

<http://tv.somanuals.com>