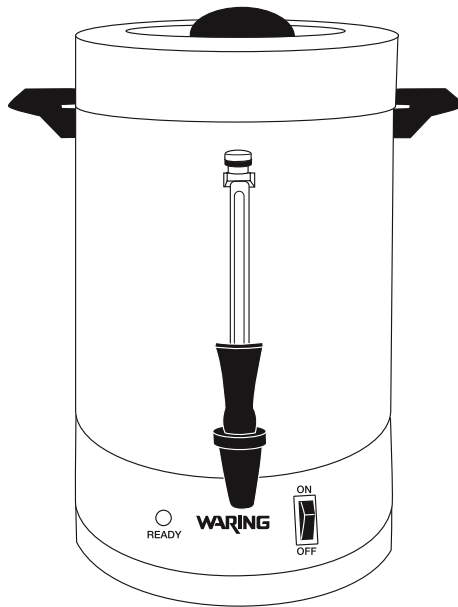


# WARING PRO™

## PROFESSIONAL COFFEE URN INSTRUCTION BOOK



CU55

For your safety and continued enjoyment of this product,  
always read the instruction book carefully before using.

# CONTENTS

Important Safeguards .....	1
Introduction .....	2
Grounding Instructions .....	3
Short Cord Instructions .....	3
Warning .....	4
Before First Use .....	4
Parts .....	5
Brewing Coffee .....	6
Brewing Chart .....	7
Cleaning Instructions .....	7

## IMPORTANT SAFEGUARDS

When using electrical appliances, basic safety precautions should always be followed, including the following:

1. **READ ALL INSTRUCTIONS.**
2. Do not touch hot surfaces. Use handles or knobs.
3. To protect against fire, electrical hazards, and/or personal injury, do not immerse cord, plugs or base in water or other liquids.
4. This appliance should not be used by or near children.
5. Do not operate any appliance with a damaged cord or plug or after the appliance malfunctions or has been dropped or damaged in any manner. Return appliance to the nearest Waring Repair Center for examination, repair, and electrical or mechanical adjustment.
6. The use of accessory attachments not recommended by Waring may cause injuries.
7. Do not use outdoors.
8. Do not let cord hang over edge of table or counter or touch hot surfaces.

9. Use extreme caution in moving coffee urn when it contains hot liquids.
10. Do not place on or near a hot gas or electric burner, or in a heated oven.
11. Do not use appliance for other than intended use.
12. In replacing the cover, make sure that it is seated all around the rim of the body. To remove, grasp knob, twist, and lift off.
13. Scalding may occur if the lid is removed during the brewing cycle.
14. This coffeemaker is equipped with a 3-prong grounding plug and must be plugged into a correctly polarized 3-prong grounding type wall receptacle.
15. This appliance is rated for both commercial and household use.

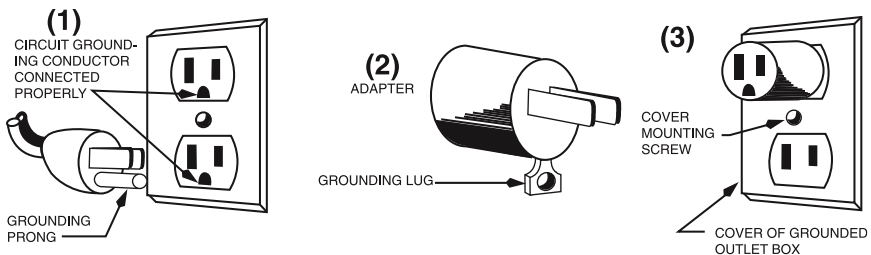
## **SAVE THESE INSTRUCTIONS FOR COMMERCIAL USE ONLY**

### **INTRODUCTION**

The Waring Pro™ Professional Coffee Urn is commercially rated, and it's easy to see why. Built to higher performance standards than all other consumer units, it brews up to 55 five-ounce cups of coffee in under 35 minutes. Coffee quality is excellent, with a dual heater system that brews coffee at a hotter temperature to ensure maximum flavor. Once brewing is complete, the coffee is held at a lower temperature that's ideal for drinking. With its shorter brew time, extra-large capacity, and classic stainless styling, this Professional Coffee Urn is perfect for all of your special events.

## GROUNDING INSTRUCTIONS

For your protection, Waring Pro™ Coffeemakers are equipped with a 3-conductor cordset that has a molded 3-prong grounding-type plug, and should be used in combination with a properly connected grounding-type outlet as shown in Figure 1. If a grounding-type outlet is not available, an adapter, shown in Figure 2, may be obtained so that a 2-slot wall outlet can be used with a 3-prong plug. Referring to Figure 3, the adapter must be grounded by attaching its grounding lug under the screw of the outlet cover plate.



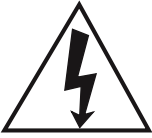
**CAUTION:** Before using an adapter, it must be determined that the outlet cover plate screw is properly grounded. If in doubt, consult a licensed electrician. Never use an adapter unless you are sure it is properly grounded.

**Note:** Use of an adapter is not permitted in Canada.

## SHORT CORD INSTRUCTIONS

A short power-supply cord is provided to reduce the risk resulting from becoming entangled in or tripping over a longer cord.

If a longer detachable power-supply cord or extension cord is used, (1) the marked electrical rating of the extension cord should be at least as great as the electrical rating of the appliance, and (2) the longer cord should be arranged so that it will not drape over the counter top or table top where it can be pulled on by children or tripped over unintentionally.



# WARNING

**RISK OF FIRE OR ELECTRIC SHOCK  
DO NOT OPEN**



**WARNING: TO REDUCE THE RISK OF FIRE OR ELECTRIC SHOCK,**

**DO NOT REMOVE COVER (OR BACK)**

**NO USER-SERVICEABLE PARTS INSIDE**

**REPAIR SHOULD BE DONE BY AUTHORIZED SERVICE PERSONNEL ONLY**



The lightning flash with arrowhead symbol within an equilateral triangle is intended to alert the user to the presence of uninsulated dangerous voltage within the product's enclosure that may be of sufficient magnitude to constitute a risk of fire or electric shock to persons.



The exclamation point within an equilateral triangle is intended to alert the user to the presence of important operating and maintenance (servicing) instruction in the literature accompanying the appliance.

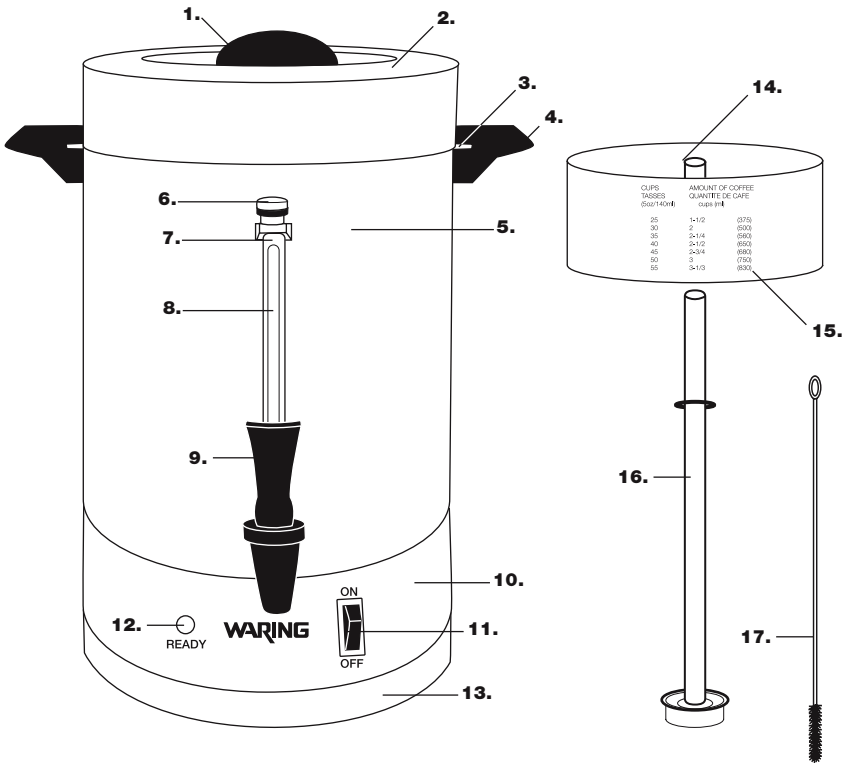
## **BEFORE FIRST USE**

1. Carefully unpack coffee urn and remove all packing materials.
2. Wash the coffee urn thoroughly before brewing for the first time.

**NOTE:** It is recommended that prior to brewing your first pot of coffee, you run the unit with cold water only (without coffee grounds).

# PARTS

- 1. Cover handle
- 2. Cover
- 3. Locking tabs
- 4. Handles
- 5. Body
- 6. Sight glass cap
- 7. Coffee level indicator
- 8. Removable sight glass
- 9. Spigot
- 10. Base
- 11. On/off switch
- 12. Ready indicator light
- 13. Base cover
- 14. Brew basket
- 15. Coffee brew quantities
- 16. Pump tube
- 17. Sight glass brush
- 18. Cord (not shown)



## **BREWING COFFEE – IMPORTANT STEPS TO FOLLOW**

1. Remove cover and brew basket. Check to see that spigot is closed. Use cold, fresh tap water to fill coffee urn. **DO NOT OVERFILL OR UNDERFILL.** Fill according to marking on inside of urn for number of cups desired. Use cold tap water – the automatic brewing cycle is timed to begin with a cold water start.

**NOTE: MINIMUM BREW VOLUME IS 25 CUPS.**

2. Wet the coffee basket to help keep small particles of coffee from sifting through. Add desired amount of **REGULAR** or **PERCOLATOR GRIND COFFEE** to basket. Use bottom of measuring cup to smooth out the grounds so you have a flat, even surface. Place basket on the pump tube. The pump tube must be resting correctly in center well in order for the unit to brew properly.

**NOTE:** Ground coffee quantities are printed on the side of the brew basket and on the following page for added convenience. The number of cups is based on the use of a standard dry measuring cup.

3. Replace the urn cover and secure in position by turning cover clockwise.
4. Plug into standard household 120 volt AC wall outlet. To avoid unnecessary strain on the heating mechanism, **PLUG IN COFFEE URN AFTER THE WATER AND COFFEE ARE ADDED.**
5. When coffee brewing is complete, percolating will stop and the green indicator light will come on. The urn automatically switches to the “keep warm” setting to preserve fresh-tasting coffee at hot, ready-to-serve temperature.
7. Unplug urn when only 1 or 2 cups of coffee remain.

For best flavor, remove coffee basket and pump tube when brewing is completed.

**REMOVE PARTS CAREFULLY: COFFEE URN AND PARTS WILL BE HOT!**

The following chart suggests amount of coffee to use for medium brew; amounts can be varied to suit personal taste and particular coffees.

Cups to Be Brewed	Amt. of Ground Coffee to Use*	
	Cups	Tablespoons
25	2	32
30	2¼	36
35	2½	42
40	3	48
45	3¼	52
50	3½	56
55	4	64

1 cup brewed coffee = 5 fluid ounces  
\*Use standard dry measuring cup

**CLEANING INSTRUCTIONS**

Always remove plug from outlet after each use. Let coffee urn cool. Remove cover, coffee basket and pump tube carefully – grounds and remaining coffee may still be warm.



Wash coffee urn with water and detergent. Never immerse base of urn. Rinse urn thoroughly.

The cover, basket, and pump tube may be washed on top rack of dishwasher.

After repeated use: Accumulation of oil and coffee stains may cause a bitter taste. Remove these stains with a special cleanser such as Dip-It®. Follow package directions, filling with water to 1½ inches from top. Rinse well.

To clean the sight glass tube, remove the sight glass cap and pull out glass tube. Remove the rubber caps from each end. Using the sight glass brush included, fill tube with water and liquid detergent and scrub the tube. This will sanitize the tube and remove any stains that may have built up. Rinse thoroughly.

**IMPORTANT:** You must replace rubber caps at each end of the tube in order for the unit to continue to brew properly.

Any other trademarks or service marks  
of third parties referred to herein are  
the trademarks or service marks of  
their respective owners.

©2007  
Waring Consumer Products Division of Conair Corporation  
150 Milford Road  
East Windsor, NJ 08520

[www.waringproducts.com](http://www.waringproducts.com)

Printed in China

CU55 IB  
07WR32194

IB-5940A

## Free Manuals Download Website

<http://myh66.com>

<http://usermanuals.us>

<http://www.somanuals.com>

<http://www.4manuals.cc>

<http://www.manual-lib.com>

<http://www.404manual.com>

<http://www.luxmanual.com>

<http://aubethermostatmanual.com>

Golf course search by state

<http://golfingnear.com>

Email search by domain

<http://emailbydomain.com>

Auto manuals search

<http://auto.somanuals.com>

TV manuals search

<http://tv.somanuals.com>