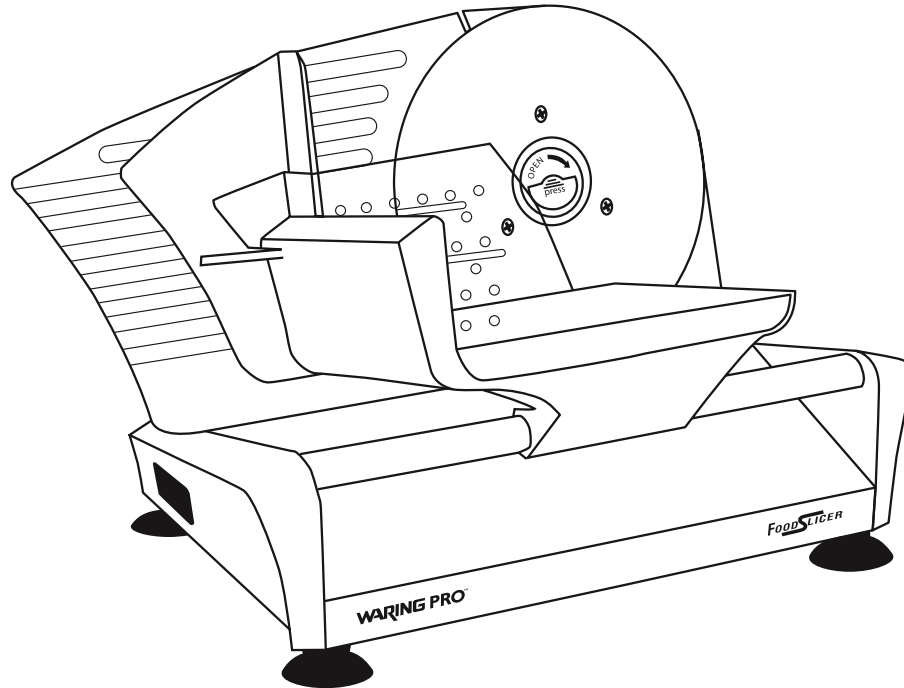


WARING PRO™

FOOD SLICER

FS150



For your safety and continued enjoyment of this product, always read the instruction book carefully before using.

Download from [Www.Somanuals.com](http://www.Somanuals.com). All Manuals Search And Download.

IMPORTANT SAFEGUARDS

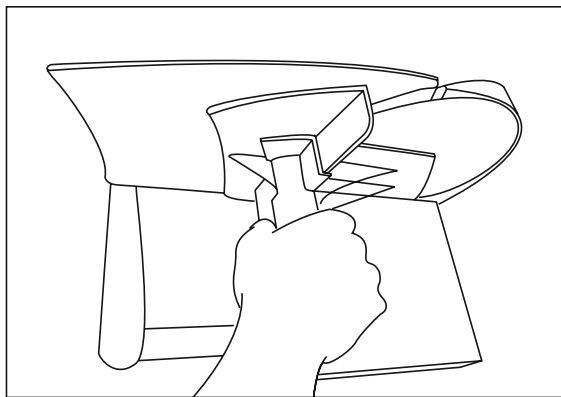
When using electrical appliances, basic safety precautions should always be followed, including the following:

1. READ ALL INSTRUCTIONS.

2. To protect against risk of electrical shock, do not put appliance in water or other liquid.
3. This appliance should not be used by or near children or individuals with certain disabilities.
4. Unplug from outlet when not in use, before putting on or taking off parts, and before cleaning. This appliance is not recommended for use by children.
5. Avoid contacting with moving parts.
6. Never put the unit near a hot burner, in an oven, or in a dishwasher.
7. Do not operate the Waring Pro™ Food Slicer, or any other electrical equipment, with a damaged cord or plug or after the unit malfunctions or is dropped or damaged in any manner. Return to the nearest authorized service center for examination, repair, or adjustment.
8. Do not use outdoors.
9. Do not let cord hang over edge of a table or counter, contact sharp edges, or touch hot surfaces.

10. Do not pull on the power cord to disconnect.
11. Never plug in the appliance where water may flood the area.
12. Place the appliance on a firm and stable surface.
13. NEVER PUT YOUR FINGERS NEAR THE BLADE WHILE IT IS IN OPERATION.
14. Ensure that the appliance is not placed close to the edge of the table, worktop, etc. where it can be pushed off or fall.
15. The use of attachments not recommended or sold by the manufacturer may cause fire, electric shock or injury.
16. Never use abrasive cleaning agents or abrasive cloths when cleaning the unit.
17. The Waring Pro™ Food Slicer has a **sharp** blade. **To avoid injury, never hand-feed food to be sliced.** Always use the unit when completely assembled with food carriage and food press.
18. **BLADE IS EXCEPTIONALLY SHARP. HANDLE VERY CAREFULLY.**
19. This appliance has a polarized plug (one blade is wider than the other). To reduce the risk of electric shock, this plug will fit in a polarized outlet only one way. If the plug does not fit the outlet perfectly, reverse the plug. If it still does not fit, contact a qualified electrician. Do not modify the plug in any way.
20. Do not leave the Waring Pro™ Food Slicer unattended while it is running.

21. Always place hand on food guide handles when slicing.
(Refer to figure below.)
22. Never place hand behind food carriage.
23. Do not use this food slicer without food guide handles.
24. To avoid injury, never use hand to push food when slicing.
25. Unplug before cleaning.



CORRECT HANDLING METHOD

SAVE THESE INSTRUCTIONS

HOUSEHOLD USE ONLY

In case of any maintenance operations or repairs not specifically stated in this manual, please refer to a qualified service center recommended by Waring.

Always read the instructions for use carefully before using and keep them in a place where they can be referred to whenever necessary.

UNPACKING INSTRUCTIONS

1. Place the box on a large, sturdy, flat surface.
2. Remove the instruction book and any other literature.
3. Slide the packaged unit out of the box.
4. Remove the Styrofoam inserts.
5. Carefully lift the Waring Pro™ Food Slicer from the remaining inserts and remove the rubber guards from slicing blade area. We suggest you save all the packing materials in the event that future shipping of the machine is needed.

Keep all plastic bags away from children.

CONTENTS

Important Safeguards	1
Unpacking Instructions	2
Parts	4
Use and Care.....	5
Cleaning Instructions	5
Stainless Steel Blade Removal.....	5
Tips For Using Your Waring Pro™ Food Slicer	6

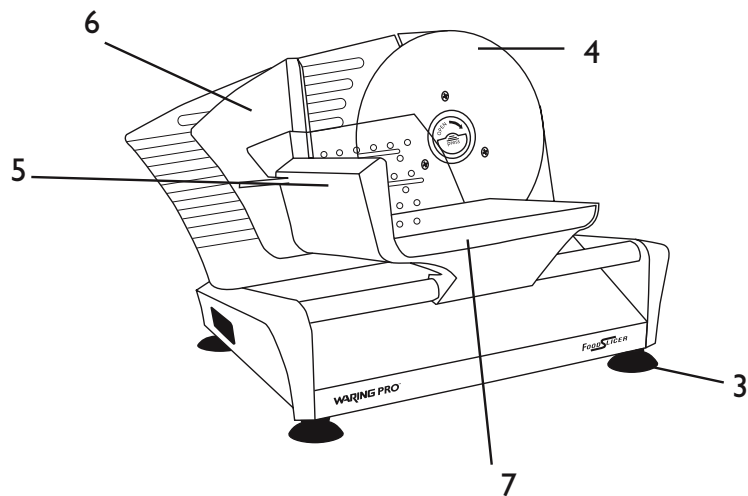
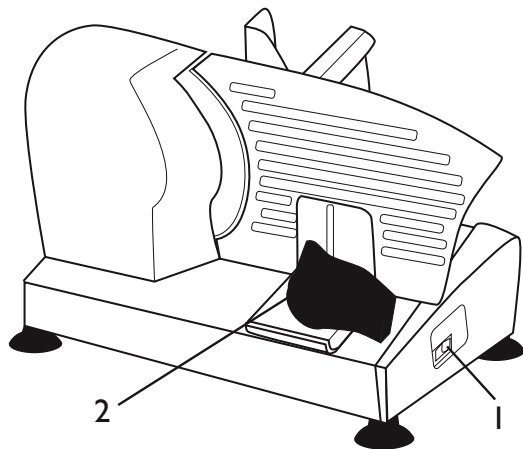
INTRODUCTION

ANY WAY YOU SLICE IT!

The Waring Pro™ Food Slicer eliminates one of the most time-consuming jobs in food prep. This commercial-quality slicer adjusts from 1/32" to 1/2" to let you slice everything from paper-thin pepperoni to perfect servings of roast beef. It makes life a little more fun, and entertaining as easy as 1-2-3!

PARTS

1. ON-OFF Switch
2. Slice Control Knob
3. Suction Feet
4. 7.5" Undulated Stainless Steel Blade
5. Food Guide Handles
6. Plastic Safety Guard
7. Stainless Steel Slicing Carriage



USE AND CARE

1. To use your Waring Pro™ Food Slicer, place on sturdy, flat surface.
2. Check that the switch is turned OFF before plugging in the appliance.
3. Adjust the slice control knob to desired slicing thickness (1/32" to 1/2").
4. Place food to be cut on the stainless steel carriage and secure with plastic safety guard.
5. Turn the Waring Pro™ Food Slicer ON.
6. Place hands on food guide handles and smoothly slide carriage backward and forward. **NEVER USE YOUR FINGERS.**
7. To ensure perfect slicing, do not press the food against the blade too firmly.
8. At this point, check for desired thickness and adjust accordingly with the slice control knob.
9. Continue to slide food carriage back and forth in an even and steady motion.
10. After all your slicing is done, turn the slicer off and unplug.

The Waring Pro™ Food Slicer has been designed to operate for short periods (maximum 10 minutes). If the power cord is damaged, a service center recommended by the manufacturer must repair it.

CLEANING INSTRUCTIONS

Always unplug your Waring Pro™ Food Slicer and turn the slice control knob back to zero, before cleaning the appliance. **DO NOT PUT THE APPLIANCE IN WATER.** This could cause damage to electrical parts.

1. Fold out food carriage away from the base for easy cleaning of crumbs, seeds, etc.
2. Wipe unit with a warm damp cloth.
3. Turn slice control knob to zero and wipe down blade faceplate with soap and water. Rinse with ammonia and water.
4. Dry immediately.

DO NOT WASH ANY PART OF SLICER IN DISHWASHER

STAINLESS STEEL BLADE REMOVAL

To remove, press tab in where indicated in center hub, twist clockwise and carefully lift and remove blade.

With a soft sponge or cleaning cloth, clean both sides of blade with mild soap and water. To replace, hold tab, aligning blade with drive gears so it engages fully. Turn tab counterclockwise to tighten.

TIPS FOR USING YOUR WARING PRO™ FOOD SLICER

The Waring Pro™ Food Slicer does a great job on a variety of foods. Throwing a great dinner party is as easy as 1-2-3. Start with an easy and delicious antipasto appetizer of sliced cheese, salami and French bread. For best results, always use a hard cheese which has been refrigerated. Slicing the salami and then the French bread will allow for an easier cleanup. Then, move on to slice salad ingredients, potatoes for potatoes au gratin, and even roast beef.

Homemade apple pie can be fast and delicious when the Waring Pro™ Food Slicer does all the slicing work for you.

A child's birthday party can be fun and easy. Just slice all your ingredients for pizza in advance, and the children can have a great time making their own pizzas.

Having a summer barbecue is effortless with the Waring Pro™ Food Slicer. Tomatoes, onions, cheese and even lettuce take no time at all to prepare.

For all your slicing needs, from paper-thin to extra-thick, the Waring Pro™ Food Slicer makes food preparation fast and easy.

TECHNICAL DATA:	
CARRIAGE SURFACE:	Stainless Steel
BLADE:	Stainless Steel
POWER:	130W 120V/60Hz

©2008 Waring Consumer Products
150 Milford Road
East Windsor, NJ 08520
www.waringproducts.com
07WR32277



IB-4269A

Free Manuals Download Website

<http://myh66.com>

<http://usermanuals.us>

<http://www.somanuals.com>

<http://www.4manuals.cc>

<http://www.manual-lib.com>

<http://www.404manual.com>

<http://www.luxmanual.com>

<http://aubethermostatmanual.com>

Golf course search by state

<http://golfingnear.com>

Email search by domain

<http://emailbydomain.com>

Auto manuals search

<http://auto.somanuals.com>

TV manuals search

<http://tv.somanuals.com>