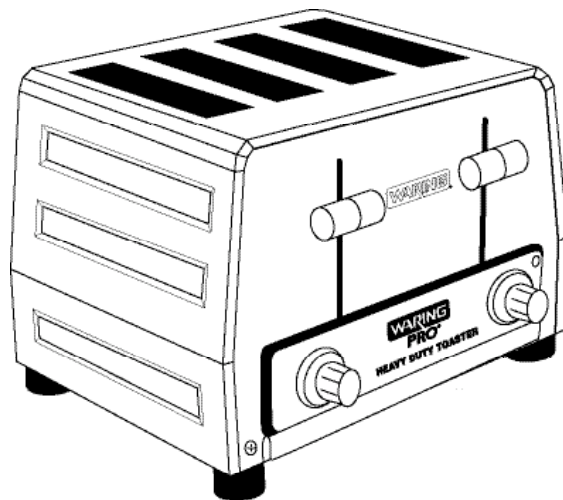


# **WARING PRO™**

## **Heavy-Duty Toaster**

**WCT800R**

## **Operating Manual**

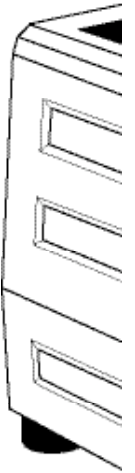


## **IMPORTANT SAFEGUARDS**

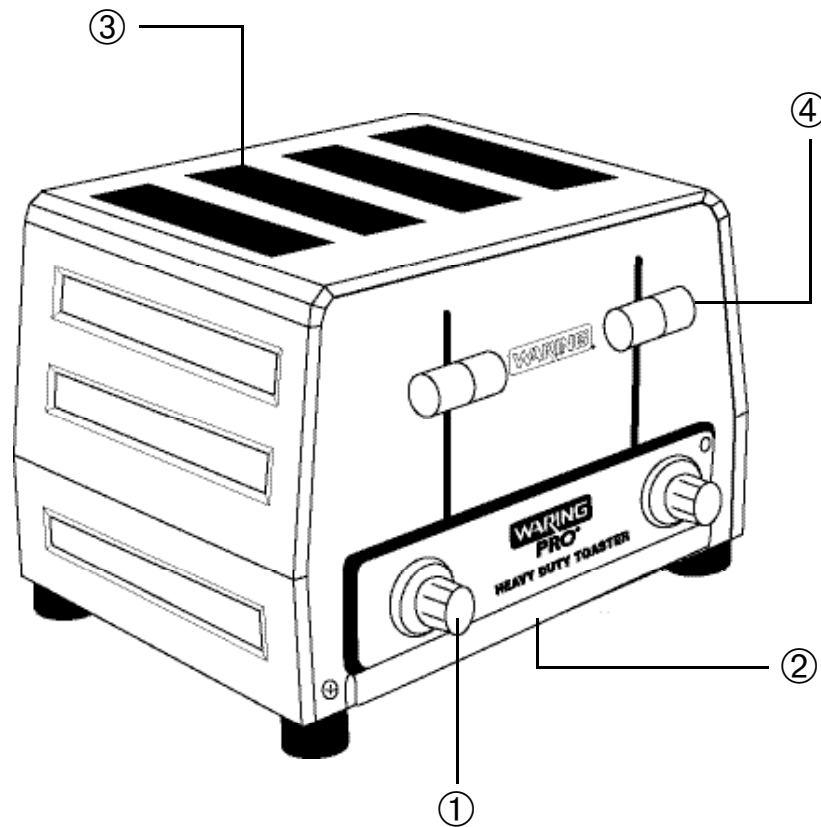
When using electrical appliances, basic safety precautions should always be taken, including the following:

- 1) **Read all instructions.**
- 2) **Do not touch hot surfaces. Use handles or knobs.**
- 3) To protect against risk of electrical hazards, do not immerse cord, plug, or any part of the Waring Pro™ toaster in water or other liquid.
- 4) Close supervision is necessary when any appliance is used by or near children.
- 5) Unplug from outlet when not in use and before cleaning. Allow unit to cool before cleaning or handling.
- 6) Do not operate any appliance with a damaged cord or plug or after the appliance has been dropped or damaged in any way or if it is not operating properly. Return the toaster to the nearest Waring authorized service facility for examination, repair, or adjustment.
- 7) The use of attachments not recommended or sold by Waring may cause injury.
- 8) Do not use outdoors.
- 9) Do not let cord hang over edge of table or countertop, or touch hot surfaces.
- 10) Do not place on or near a hot gas or electric burner or in a heated oven.
- 11) Do not use this toaster for other than its intended use.
- 12) **A FIRE MAY OCCUR IF THE TOASTER IS COVERED OR TOUCHING FLAMMABLE MATERIALS, SUCH AS DRAPERIES OR WALLS, WHEN IN OPERATION. DO NOT OPERATE UNDER WALL CABINETS.**
- 13) **Oversize foods, metal foil packages or utensils must not be inserted in a toaster, as they may involve a risk of fire or electrical shock.**
- 14) Do not attempt to dislodge food when toaster is plugged into electrical outlet.
- 15) To avoid possibility of fire, do not leave toaster unattended during use.
- 16) Put this list in a safe place - do not discard.
- 17) Do not store or use gasoline or other flammable vapors or liquids in the vicinity of this or any other appliance.

**SAVE THESE INSTRUCTIONS**  
**For Commercial Use**

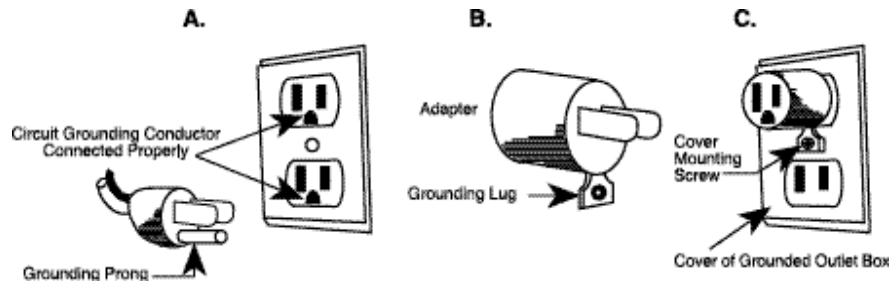


## WCT800 Series Toasters



- 1) Electronic Browning Control
- 2) Slide-out Crumb Tray
- 3) Toaster Slot
- 4) Carriage Control Lift Lever
- 5) 3 ft. Power Cord (not shown)

## Grounding Instructions



For your protection, Waring Pro™ Toasters are equipped with a 3-conductor cordset that has a molded 3-prong grounding-type plug, and should be used in combination with a properly connected grounding-type outlet as shown in Figure A. If a grounding-type outlet is not available, an adapter, shown in Figure B, may be obtained so that a 2-slot wall outlet can be used with a 3-prong plug. As shown in Figure C, the adapter must be grounded by attaching its grounding lug under the screw of the outlet cover plate.

**CAUTION:** Before using an adapter, it must be determined that the outlet cover plate screw is properly grounded. If in doubt, consult a licensed electrician. Never use an adapter unless you are sure cover plate screw is properly grounded.

Note: Use of an adapter is not permitted in Canada.

## Operation

### ***IMPORTANT NOTICE***

 PLEASE NOTE THAT THE FIRST TOAST CYCLE TAKES APPROXIMATELY 4 MINUTES.

1. Put toaster on counter or flat, dry surface near electrical outlet and plug in power cord.
2. Place bread in all the slots, set both browning controls and push down the carriage control levers. The toasted bread will automatically rise when the bread cycle is complete.
3. The regular slots toast both sides of bread.
4. To stop toasting mid-cycle, just lift up the carriage control lift lever.

**CAUTION:** The removable crumb tray must be completely inserted before toaster can be operated. If the tray is removed for cleaning, ensure that it is replaced before using toaster. Crumb tray is dishwasher safe.

## Care and Cleaning

### Let toaster cool before performing any cleaning operation.

1. To clean outer surface: Let toaster cool. **Unplug power cord.** Wipe down exterior with damp cloth. Prevent liquid from running into toaster slots. Before using, allow toaster's outer surface to dry.
2. To clean crumb tray: Remove the crumb tray and discard crumbs. Wipe crumb tray clean and replace in toaster. Never operate the toaster without the crumb tray in place. Crumb tray is dishwasher safe.
3. To remove any pieces of bread remaining in the toaster, unplug toaster, turn the toaster upside down and gently shake. Never insert any metal or sharp instrument into the toaster slots. This could damage the toaster and cause a safety hazard.

Waring Consumer Products  
Division of Conair Corporation  
150 Milford Road  
East Windsor, NJ 08520  
[www.waringproducts.com](http://www.waringproducts.com)

Printed in China

04WA23016

**IB-5174B**

## Free Manuals Download Website

<http://myh66.com>

<http://usermanuals.us>

<http://www.somanuals.com>

<http://www.4manuals.cc>

<http://www.manual-lib.com>

<http://www.404manual.com>

<http://www.luxmanual.com>

<http://aubethermostatmanual.com>

Golf course search by state

<http://golfingnear.com>

Email search by domain

<http://emailbydomain.com>

Auto manuals search

<http://auto.somanuals.com>

TV manuals search

<http://tv.somanuals.com>