



An AGA Company

GLASS ISLAND HOOD - 90 CM



To be installed by a trained and competent person

INSTALLATION & OPERATING MANUAL

To be left with end user

WARNING & SAFETY INFORMATION

Please read this manual carefully, it provides important information about the safety, installation, use and maintenance of the appliance. The manufacturer cannot be considered responsible for any damage caused by improper, incorrect or unreasonable use.

WARNING! Do not connect the appliance to the mains until the installation is fully complete.

ELECTRICAL CONNECTION

The mains power supply must correspond to the rating indicated on the plate situated inside the hood. A double-pole switch must be fitted in accordance with the relevant standards.

Attention: Replacing the supply cable must be carried out by a Qualified Electrician or an Authorised Service Agent.

The appliance is only intended for use by competent persons. Children should be supervised to ensure that they do not play with the appliance. Never use the hood without being securely fixed using the brackets supplied. The hood must never be used as a support surface unless specifically indicated. If the appliance is fitted in a room with one or more appliances that require an air supply, an adequate air supply must be provided so that these appliances can function simultaneously at maximum operation. If venting outside, the vent pipe must run direct from the hood to an external wall.

The use of exposed flames beneath the hood is detrimental to the filters and may cause a fire risk, and must be avoided at all times. Waterford Stanley recommend a distance of 650-750mm between the cooking appliance and the hood, see Installation Section provided in this manual.

The hood must be regularly cleaned on both the inside and outside AT LEAST ONCE A MONTH.

MAINTENANCE

ATTENTION! Before performing any maintenance, isolate the hood from the electrical supply.

Grease Filter


This must be cleaned once a month using a non aggressive detergent, either by hand or in the dishwasher, which must be set to a low temperature and a short cycle. When washed in a dishwasher, the grease filter may discolour slightly, but this does not affect its filtering capacity.

REPLACING LAMPS

Warning! Ensure light bulbs are cool before touching. Ensure all lamps are correctly fitted to the hood at all times to avoid a possible safety hazard.

This appliance is marked according to the European Directive 2002/96/EC on Waste Electrical and Electronic Equipment (WEEE). By ensuring this product is disposed of correctly, you will help prevent potential negative consequences for the environment and human health, which could otherwise be caused by inappropriate waste handling of this product.



The symbol  on the product, or on the documents accompanying the product, indicates that this appliance may not be treated as household waste. Instead it should be taken to the appropriate collection point for the recycling of electrical and electronic equipment. Disposal must be carried out in accordance with local environmental regulations for waste disposal.

For more detailed information about treatment, recovery and recycling of this product, please contact your local council, your household waste disposal service or the shop where you purchased the product.

GENERAL GUIDELINES

Before installing and /or using the cooker hood, please read these instructions carefully.

Before installing the cooker hood make sure the voltage (V), frequency (Hz) indicated on the serial number plate and specifications on the rating plate on the inside of the cooker hood correspond to the voltage and frequency of the mains supply.

INSTALLATION

The cooker hood must not be installed and connected to flues where other appliances are installed and which run off other energy supplies other than electricity (water heaters - boilers - cookers, range/gas etc). The extraction hood requires a 125mm extraction pipe connected directly to the outside with an opening of a minimum cross section of 150cm².

The hood must be installed with a distance of 650-750mm between the cooker top/hob and the extraction hood. The cooker hood must not be installed above cookers with eye-level grills.

ELECTRICAL CONNECTION

This cooker hood is designed for permanent fixture. Connect to mains supply. Check voltage and frequency given on the rating plate located on the inside of the hood. Connect the mains cable to a power socket or to a double pole switch with a contact gap of at least 3mm. The mains cable (type H05VV-F 2x 0.75 mm²) is connected to terminals marked with the letters L (power line) and N (neutral) mounted on the hood and is secured in position by a cable gland. The mains cable must be connected to a suitable and easily accessible fixed power point. As the electrical installation must comply with the laws and regulations in force only a qualified and authorised electrician must install the hood including connecting it to a double pole switch with a contact gap of at least 3mm.

Connect the mains cable if provided with a plug to a power socket. The user must have access to the power socket to be able to connect and disconnect the plug once the hood is mounted and fixed.

The manufacturer will not be responsible if the governing health and safety laws are not observed which permit safe and correct use of the hood and electrical connections.

MAINTENANCE

Before servicing or repairing the hood make sure the appliance is disconnected from the mains supply either by removing the plug or switching the power socket to OFF.

CLEANING

Clean the outer part of the hood with a soft cloth and liquid detergent, do not use abrasive cleaning products or scouring pads.

It is recommended to wash the filters in a dishwasher or in water up to 60°C every 3 months.

CHANGING THE LIGHT BULB

Before changing the light bulb, ensure that the appliance is not live (the switch should be in position 0 - OFF). Remove the metal anti-grease filters (Fig.5). Change the halogen light using a 230V halogen light, with an E14 coupling, max. 50W. Replace the metal anti-grease filters.

WARNINGS

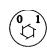
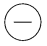




“NOTE: the areas behind the filters are not intended to be cleaned”

Follow the cleaning instructions given by the manufacturer and in particular take care that there are not grease deposits on the surface of the hood which could create a possible fire hazard. Make sure the electric hob rings or gas rings are always covered when in use to avoid heating the filter.

When frying never leave pans unattended as there is the risk of the oil overheating and catching fire. If reusing frying oil the fire risk is greater. Never prepare flame cooked food dishes under the hood. The air duct by the hood must not be conveyed into a flue used for other appliances that run off other energy supplies other than electricity. If the air is to be ducted, before installing make sure the flue is in good condition especially if it has been out of use for a long period of time. Always observe governing laws and regulations regarding ducting waste gases. All recommendations given must be scrupulously observed to avoid any possible fire hazard.

CONTROL PANEL

The control panel is situated on the front of the hood and comprises of a digital display and 5 touch control switches with the following functions: (See Fig.9)

-  Fan ON/OFF Switch
-  Reduces the speed of the fan (Min speed 1)
-  Digital display, displays the speed of the fan 1-6
-  Increases the speed of the fan (Max speed 6)
-  OFF delay switch, press once display flashes, fan switches off automatically after 15 minutes
-  Light ON/OFF switch

SPECIFICATIONS

The electronic controls on your ducting cooker hood have multiple functions-features:

Motor on-off Function

The motor is turned on and off by pressing push-button no.1. When you turn on the cooker hood it automatically starts running at the third speed.

Timer Function

This function permits you to program your cooker hood so that the motor and lights turn off automatically 15 minutes after you have activated this function. To program press push-button no.4. At the bottom on the right of the display a point will flash indicating that the timer function is activated.

Lights on-off Function

To turn the lights on and off press push-button no. 5.

Specific Features

The electronic controls provided on your ducting cooker hood have advanced features to facilitate maintenance and correct utilisation.

Prompt-Clean Metal Filters

After every 30 hours of use a microprocessor, prompts the user that it is time to clean the metal grease filters to guarantee better ducting performance and to improve hygiene. This prompt is indicated by the letter "A" which flashes on the display.

To delete this prompt, once the filters have been cleaned and with the cooker hood off (not powered), maintain push-button 2 pressed for more than 5 seconds. When you press this push-button the letter "A" will come up on the display and then disappear after 5 seconds. The microprocessor zeros the number of hours and starts a new count from zero until reaching 30 hours prompting this maintenance procedure.

VENTILATION

If there is an appliance fitted in the vicinity which requires air for combustion, additional air vents will be required to alleviate the possibility of spillage of products of combustion, from the appliance/flue while the fan is in operation. Refer to B.S. 5440 Part 2 & I.S. 813.

Where such an installation exists a test for spillage should be carried out with all appliances requiring air for combustion and all extraction fans running at maximum rate, (i.e. tumble dryers, extraction fans) with all external windows and doors closed.

If spillage occurs following the above operation, an additional air vent of sufficient size to prevent this occurrence should be installed.

FITTING INSTRUCTIONS

1. Fix the ceiling bracket to the ceiling, making sure that the riveted brackets for fixing the stainless steel casing are to the side. Adjust the chimney section to the required length. See Fig. 2 & 2a.
2. Slide the stainless casing over the chimney section keeping vents to the side. See Fig.3.
3. Mount the chimney section on the ceiling bracket, note tabs must fit into the slots on the ceiling bracket to hold this section in place while fitting the fixing screws. See Fig.4.
4. Fit 4 fixing screws one in each corner. See Fig. 5. Fit the glass onto the hood section using clamps provided (See Fig 6). Connect the plug and socket between the chimney and the hood section.
5. Lift the glass section into place, the clip on either side will hold hood in place while fitting the fixing screws. See Fig 7.

THE MANUFACTURER WILL NOT BE RESPONSIBLE IF THESE RECOMMENDATIONS AND INSTRUCTIONS REGARDING INSTALLATION, MAINTENANCE AND USE ARE NOT OBSERVED AND RESPECTED WHEN USING THE COOKER HOOD.

Fig.1

Fig.3

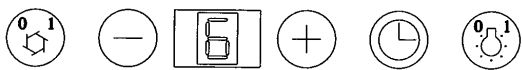


Fig.2

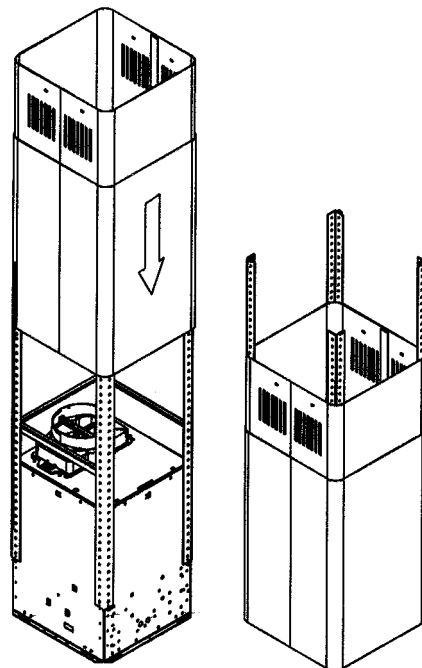
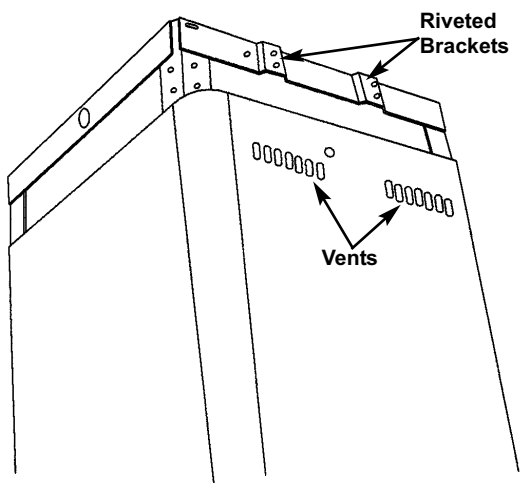


Fig.2a

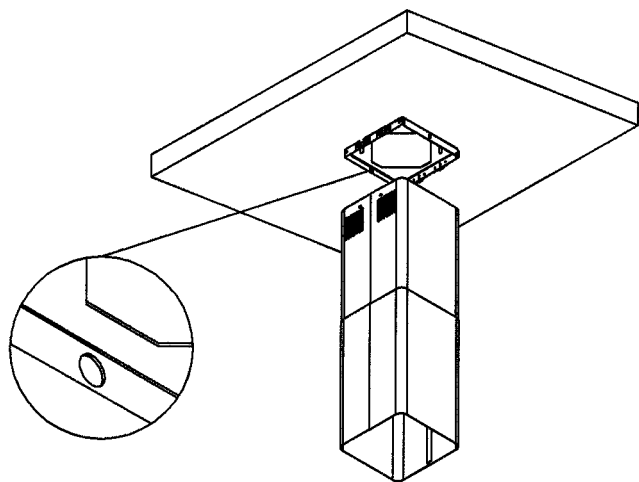


Fig.4

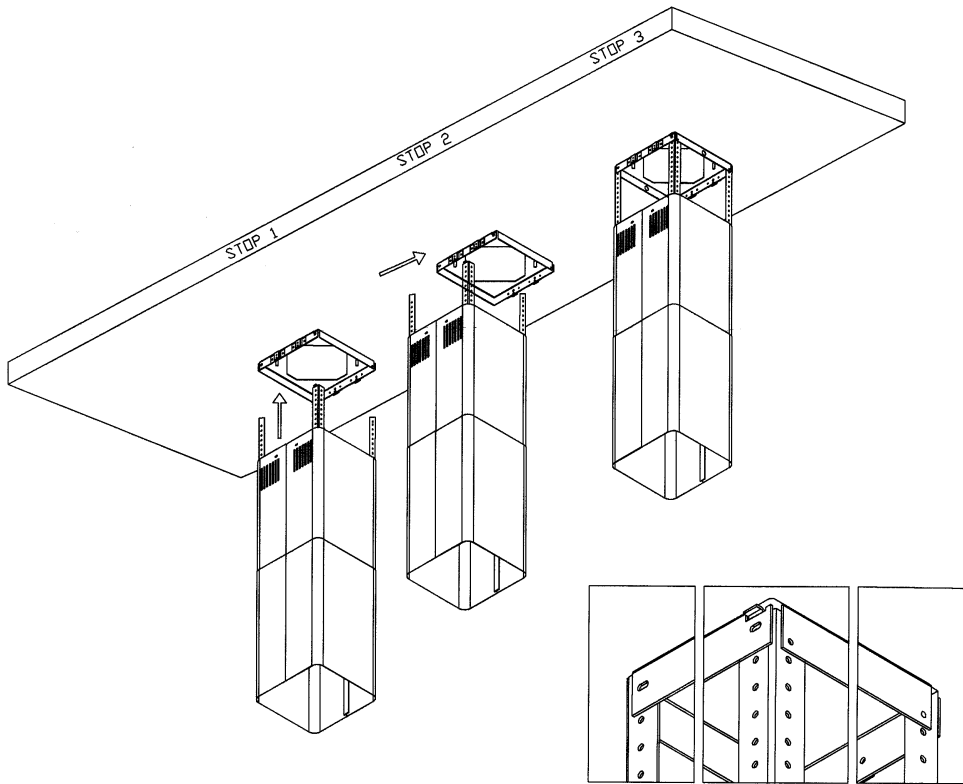
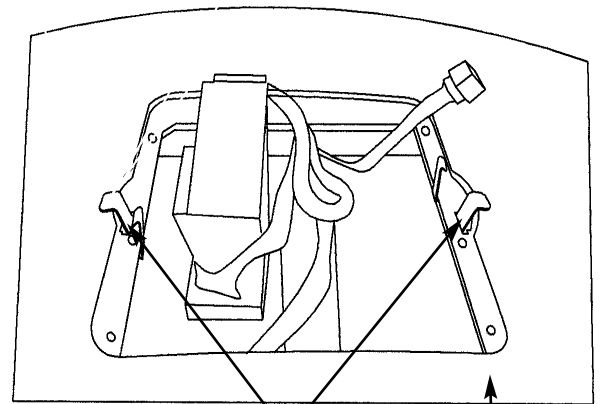
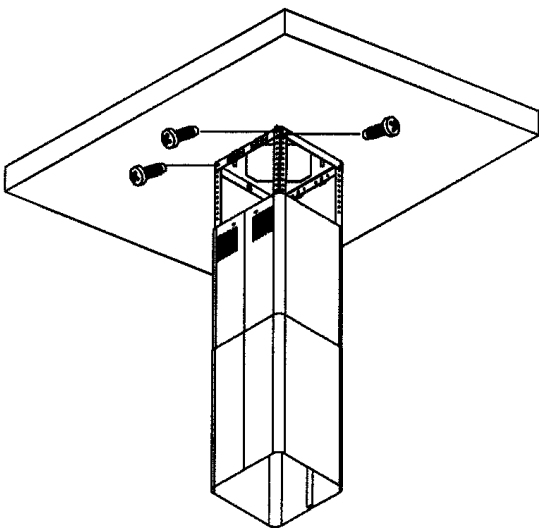


Fig.5

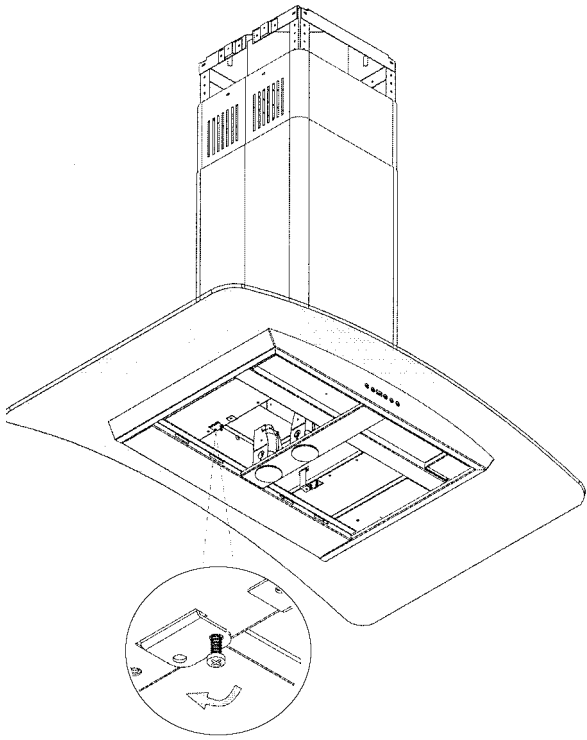
Fig.6



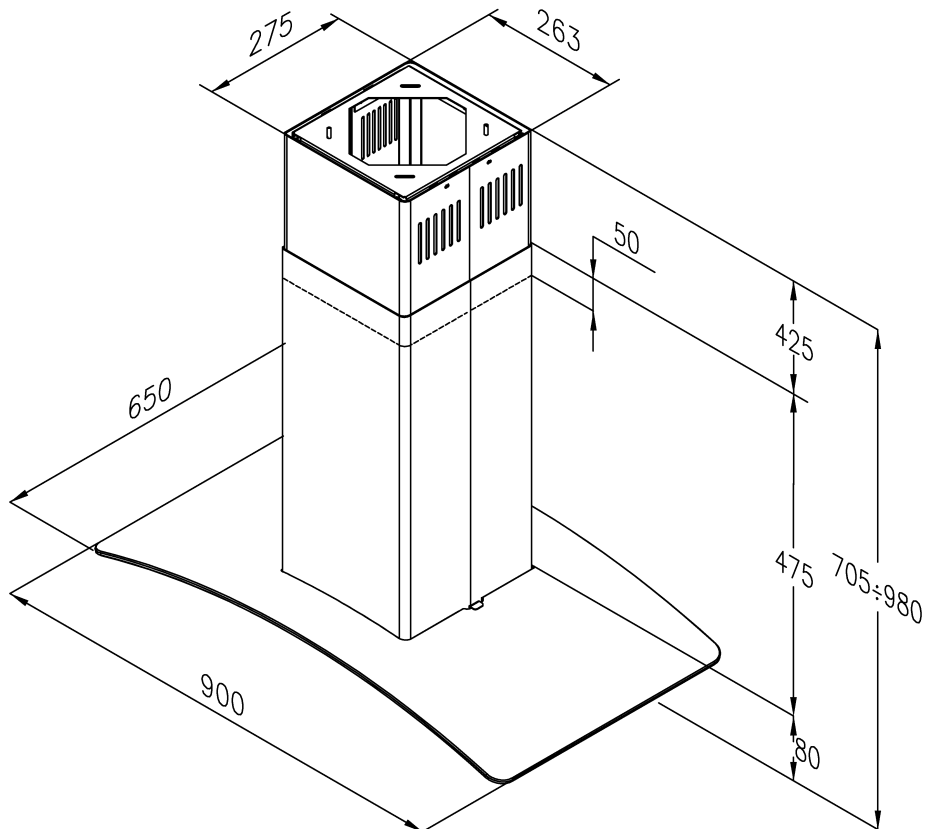
Clips to hold
glass in place

Hood Glass

Fig.7



DIMENSIONS





An AGA Company

WARRANTY

We undertake to repair or replace, free of charge to you any part found to be faulty within the 12 month period from the date of purchase provided that:-

- * The fault is, in our opinion, caused by defective workmanship, or material and not by accident, misuse, neglect or normal wear and tear.
- * Any manufacturing defect is reported to the stockist from whom you bought the appliance within 12 months of the date of purchase.
- * The Waterford appliance is installed to the Manufacturer's recommendations and by a suitably qualified person.
- * The guarantee registration form is completed fully and returned to us within 30 days of the purchase date.

IMPORTANT NOTICE: Any alteration to this appliance that is not approved in writing by Waterford Stanley will render the guarantee void.



Waterford Stanley Ltd.,
Unit 210, IDA Industrial Estate, Cork Road,
Waterford, Ireland.
Tel: (051) 302300 Fax (051) 302315



Free Manuals Download Website

<http://myh66.com>

<http://usermanuals.us>

<http://www.somanuals.com>

<http://www.4manuals.cc>

<http://www.manual-lib.com>

<http://www.404manual.com>

<http://www.luxmanual.com>

<http://aubethermostatmanual.com>

Golf course search by state

<http://golfingnear.com>

Email search by domain

<http://emailbydomain.com>

Auto manuals search

<http://auto.somanuals.com>

TV manuals search

<http://tv.somanuals.com>