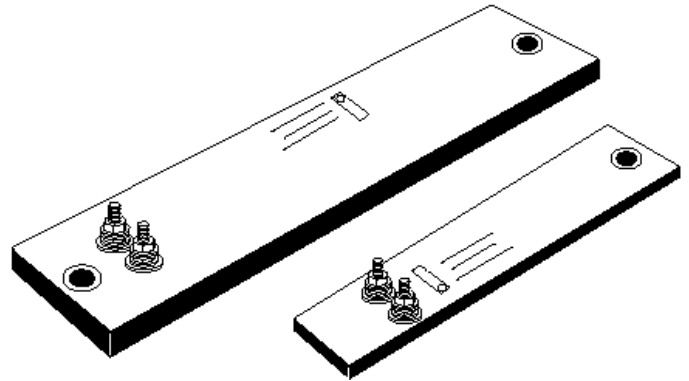


Thin, Responsive Heater Sets Standards For Performance and Durability



The Watlow MI Strip is a thin, responsive heater that sets unmatched standards for performance and durability. It makes use of the most advanced heater construction techniques including embedding a nickel chromium element wire in Watlow's exclusive mineral insulation. Only 0.042 inches (1.067 mm) thick, this layer of insulation brings the element wire closer to the heater sheath. The result is heat flows easily from the element wire to the sheath, thus allowing the wire to run cooler than conventional heaters.

Performance Capabilities

- Sheath temperatures to 1400°F (760°C)
- Watt densities to 100 W/in² (15.5 W/cm²)
- Maximum voltage 480V~(ac)

Applications

- Solder pots
- Zinc die-casting equipment
- Dies and mold heating
- High temperature resins
- Tank and platen heating
- Ovens
- Packaging equipment

How to Order

Please specify:

- Watlow code number (from Watlow Heater's catalog)
- Overall dimensions: length and width
- Wattage
- Termination type (parallel or one-on-one)
- Mounting holes, if desired
- Quantity

If stock units do not meet specific application needs, Watlow can manufacture MI Strip heaters to meet special requirements.

Availability

- Stock: Same day shipment
- Made-to-Order: Consult a Watlow sales engineer or authorized distributor

UL® is a registered trademark of Underwriter's Laboratories, Inc.

Features and Benefits

Higher watt densities

- Contribute to faster heat-up

Exclusive mineral insulation

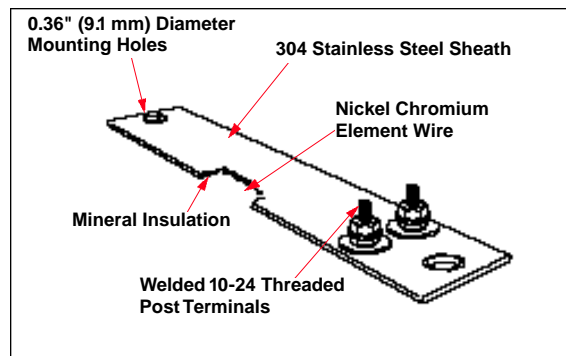
- Combines high dielectric strength and superior thermal conductivity which transfers heat rapidly to the sheath

304 stainless steel sheath

- Maintains the high compaction of mineral insulation and produces a rigid heater

UL® component recognition

- Available in 250V~(ac) or less



12001 Lackland Road
St. Louis, Missouri 63146 USA
Phone: (314) 878-4600
FAX: (314) 878-6814
Internet: www.watlow.com
e-mail: info@watlow.com

Free Manuals Download Website

<http://myh66.com>

<http://usermanuals.us>

<http://www.somanuals.com>

<http://www.4manuals.cc>

<http://www.manual-lib.com>

<http://www.404manual.com>

<http://www.luxmanual.com>

<http://aubethermostatmanual.com>

Golf course search by state

<http://golfingnear.com>

Email search by domain

<http://emailbydomain.com>

Auto manuals search

<http://auto.somanuals.com>

TV manuals search

<http://tv.somanuals.com>