

Series 146

User's Manual



Temperature Regulator



TOTAL
CUSTOMER
SATISFACTION
3 Year Warranty

ISO 9001



1241 Bundy Boulevard, P.O. Box 5580, Winona, Minnesota USA 55987-5580
Phone: +1 (507) 454-5300, Fax: +1 (507) 452-4507, Internet: <http://www.watlow.com>

0600-0004-0010 Rev D
December 2001

Supersedes: 0600-0004-0010 Rev C \$5.00 Made in the U.S.A.

General Description

The Watlow Series 146 is a DIN rail mount, temperature regulating controller with a thermocouple or RTD sensor input. The DIN rail mounting offers quick and easy installation with the use of simple hand tools. The controller may also be flush mounted.

The Series 146 is designed to meet the needs of a wide range of safety applications. Factory selectable options include high or low control mode with either manual or automatic reset on power loss.

The Series 146 has an LED for output status indication and can be ordered with an integral or remote adjustable set point, or a fixed set point.

1 ■ Watlow Series 146 User's Manual

Specifications

(2089)

Control Mode

- High or low limit, factory selectable
- Manual or automatic reset on power loss, factory selectable
- Latching alarm with manual reset on over or under temperature
- Internal and/or customer supplied external reset switch

Operator Interface

- LED indication of output status
- Dial scale calibrated to compensate for sensor non-linearities
- Integral or remote set point
 - Dual temperature scale (°C and °F)
- Fixed set point
 - Manufactured to specified value

Input

- Thermocouple or platinum RTD available
- Thermocouple with automatic cold junction compensation
- Thermocouple may be isolated or grounded
- Thermocouple and RTD break protection de-energizes output
- 2- or 3-wire RTD input, 100Ω @ 0°C calibrated for 0.003850Ω/Ω °C curve

Output

- Electromechanical relay, 8A, Form C, SPDT: 8A @ 240V~ resistive, 8A @ 28V= (dc) resistive, 275VA pilot duty rated

Accuracy

Adjustable Set Point, integral or remote

- Calibration accuracy: ±1% of span, at 25°C ± 3°C (77°F ±5°F) ambient and rated line voltage ± 1%
- Set point accuracy: ±3% of dial scale
- Accuracy span: 540°C (1000°F) minimum

Fixed Set Point

- Calibration accuracy: ±6°C/±10°F of setting, at 25°C ±3°C (77°F ±5°F) ambient and rated line voltage ±1%

Temperature Stability

- Thermocouple: Typically 9μV/°C ambient (5μV/°F ambient) input referenced
- RTD: Typically 0.2°C/°C ambient (0.2°F/°F ambient)

Voltage Stability

- ±0.01% of span (min. span of 540°C or 1000°F) per % of rated line voltage

Agency Approvals

- CE: EN61010 - Safety
EN61326 - Industrial Immunity, Class B Emissions
Installation Category 2, Pollution Degree 2
- 873, File #E43684
- to C22.2 No. 24, File #E43684
- Approved for use in commercial cooking applications
- FM Class 3545, File J.I. 3007307

Terminals

- Captive screw, cage clamp connection, 4 mm (0.155 in.) max. width screwdriver blade, 30 to 14-gauge wire

Mounting

- DIN rail, DIN EN50022, 35 mm x 7.5 mm
- Sub-panel flush mounting

Power

- 24V~, +10%/-15%, 50/60 Hz
- 120V~, +10%/-15%, 50/60 Hz
- 230V~ to 240~, +10%/-15%, 50/60 Hz
- 10VA maximum power

Operating Environment

- 0 to 55°C (32 to 131°F)
- 0 to 90% RH, non-condensing
- Storage temperature: -20 to 85°C (-4 to 185°F)

Dimensions

- Width: 60 mm (2.28 in)
- Height: 115 mm (4.45 in)
- Depth: 100 mm (3.89 in)

Weight

- 0.3kg (0.7 lb.)

UL® is a registered trademark of Underwriter's Laboratories, Inc.
Note: Specifications subject to change without notice.

Dimensions

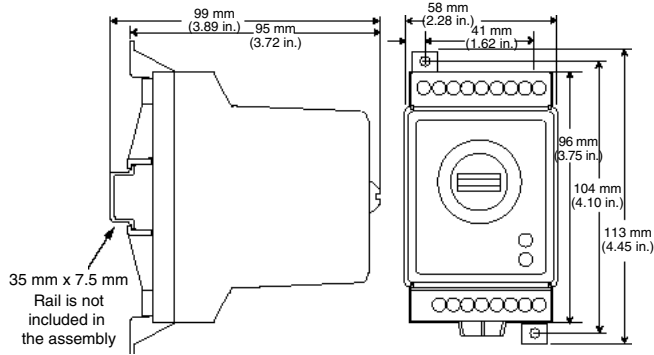


Figure 2a — Series 146 dimensions.

Installation

Sub-Panel Mounting the Series 146

NOTE: FM approval requires limit switches to be suitably enclosed to minimize casual readjustment of set temperature.

1. Using the controller as a location template, mark both mounting holes.
2. Drill two 5 mm (0.19 in.) diameter holes in the desired panel location. See Figure 2a for hole locations.
3. Mount the Series 146 using two #8-32 screws.

DIN Rail Mounting the Series 146

1. Place the Series 146 upper mounting clip on the top edge of the DIN rail. See Figure 2b on this page.
2. Press down firmly on the top front edge of the Series 146. The controller “snaps” securely onto the rail. If the controller does not snap on, check to see if the DIN rail is bent. Minimum clipping distance is 34.8 mm (1.37 in.), the maximum is 35.3 mm (1.39 in.).

Removing the Series 146 from the DIN Rail

1. Place your fingers on the release lever located at the base of the Series 146.
2. While gently pressing on the top of the case, above Terminals 1-9, pull forward on the release lever.

Safety Information

Note, caution and warning symbols appear throughout this book to draw your attention to important operational and safety information.

A “NOTE” marks a short message to alert you to an important detail.

A “CAUTION” safety alert appears with information that is important for protecting your equipment and performance.

A “WARNING” safety alert appears with information that is important for protecting you, others and equipment from damage. Pay very close attention to all warnings that apply to your application.

The ⚠ symbol (an exclamation point in a triangle) precedes a general CAUTION or WARNING statement.

The ⚡ symbol (a lightning bolt in a triangle) precedes an electric shock hazard CAUTION or WARNING safety statement.

Mounting

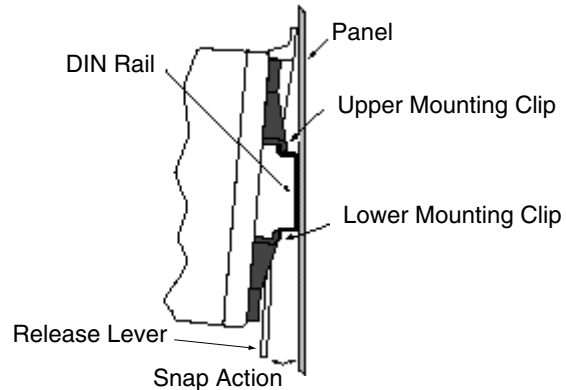


Figure 2b — Series 146 side view mounting.

Wiring Guidelines

- Use the correct sensor type per the model number on the unit sticker.
- Use the proper thermocouple or RTD polarity.
- Insulate the thermocouple mounting from the mounting surface to prevent heat migration input errors.
- Thermocouple leads should be twisted pair wire and routed separately from any other lines.
- In electrically noisy environments (heavy switching of contactor, motors, solenoids, etc.) use shielded thermocouple lead wire with the shield connected at the sensor end only.
- All wiring and fusing must conform to the National Electric Code (NEC) NFPA70 and any other locally applicable codes.
- Fuse the independent load voltage on the L1 (hot) side and connect it to the common (COM) side of the relay.



CAUTION: A power disconnect located near the controller is recommended to shut down power in case of controller failure.

- Long lead lengths create electrical resistance. When using a two wire RTD, there will be an additional error for every 1Ω of lead length resistance. That resistance when added to the resistance of the RTD element, can result in erroneous input to the temperature limit. To overcome this problem, use a three wire RTD sensor, which compensates for lead length resistance. When extension wire is used for a three wire RTD, all three extension wires must have the same electrical resistance. (i.e. same gauge, copper stranded).

Power Wiring

120V~	146_ - 1 _ _ _ - 0000
230 to 240 V~	146_ - 2 _ _ _ - 0000
24V~	146_ - 3 _ _ _ - 0000

NOTE: The line voltage is specified by your model number.

⚠ WARNING: To avoid potential electric shock, use National Electrical Code safety practices when wiring and connecting this unit to a power source and to electrical sensors or peripheral devices. All wiring and fusing must conform to the National Electric Code and to any locally applicable codes. Failure to comply with these recommendations could result in damage to equipment and property, and injury to personnel.

⚠ WARNING: The Series 146 safety limit should be mounted in an inconspicuous location to discourage unauthorized changes to the set point. Only approved and appropriate personnel should have the authority to change the set point on the limit switch. Failure to comply with these recommendations could result in damage to equipment and property, and injury to personnel.

⚠ CAUTION: Applying incorrect voltage may result in irreversible damage to the controller.

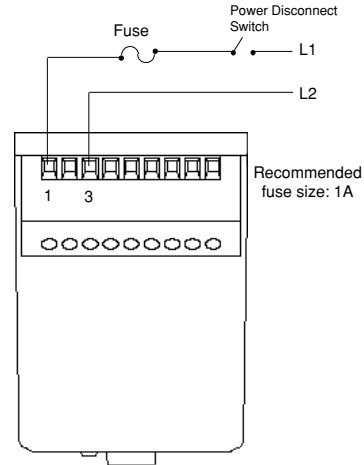


Figure 3a — Power wiring.

Input Wiring

Thermocouple

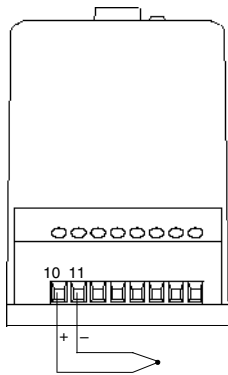


Figure 3b — Thermocouple wiring.

2- and 3-Wire RTD

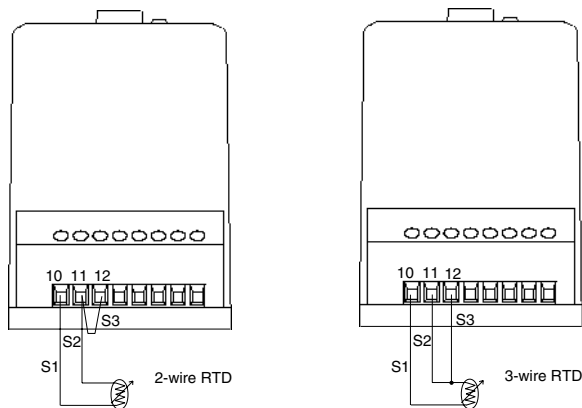


Figure 3c — 2- and 3-Wire RTD Wiring

NOTE: 2- or 3-wire RTD input, calibrated for 0.003850Ω/Ω °C curve.

Output Wiring

Electromechanical Relay, Form C

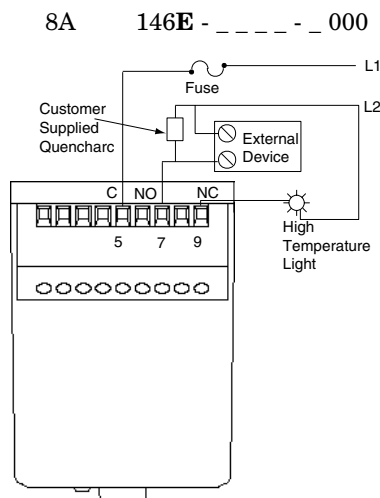
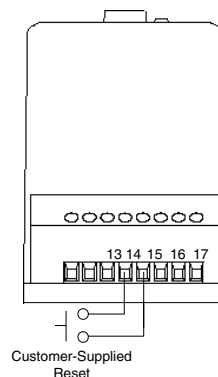


Figure 3d — Electromechanical relay wiring.

⚠ NOTE: Switching inductive loads (relay coils, solenoids, etc.) with the mechanical relay, switched dc or solid-state relay output options requires use of an R.C. Suppressor. Watlow carries the R.C. suppressor Quencharc brand name, which is a trademark of ITW Paktron. Watlow Part No. 0804-0147-0000.

Remote Reset



NOTE: The Series 146 used with a remote reset may affect FM recognition. Only the use of a momentary switch is valid for approval.

NOTE: Reset is customer-supplied.

Figure 3e — Remote reset wiring.

System Example

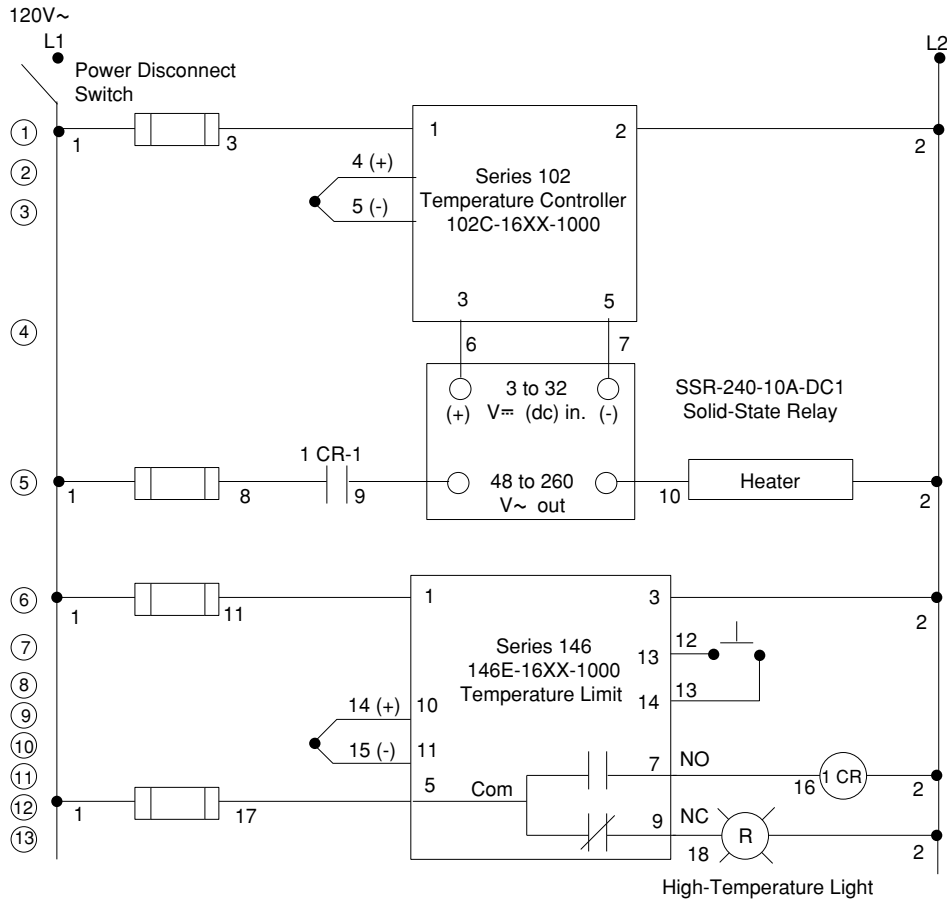
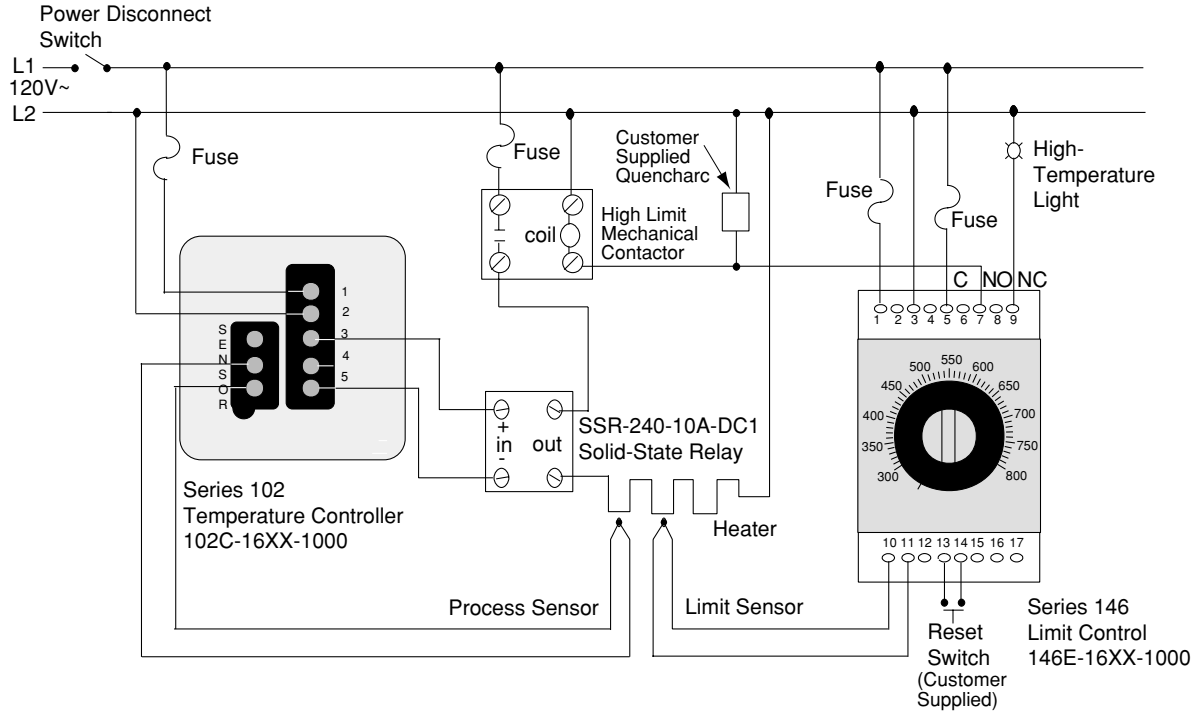


Figure 4 — System wiring examples.

Declaration of Conformity

Series 146



WATLOW WINONA

1241 Bundy Boulevard

Winona, Minnesota 55987 USA

Declares that the following product:

English

Designation: Series 146
Model Numbers: 146E - (1,2 or 3) (100-999) - (1, 2, 3 or 4) (Any three letters or numbers)
Classification: Temperature control, Installation Category II, Pollution degree II
Rated Voltage: 24, 120 or 240 V- (ac)
Rated Frequency: 50 or 60 Hz
Rated Power Consumption: 10 VA maximum
Meets the essential requirements of the following European Union Directives by using the relevant standards shown below to indicate compliance.

89/336/EEC Electromagnetic Compatibility Directive

EN 61326:1997 With A1:1998 - Electrical equipment for measurement, control and laboratory use - EMC requirements (Industrial Immunity, Class A Emissions).
EN 61000-4-2:1996 With A1, 1998 - Electrostatic Discharge Immunity
EN 61000-4-3:1997 - Radiated Field Immunity
EN 61000-4-4:1995 - Electrical Fast-Transient / Burst Immunity
EN 61000-4-5:1995 With A1, 1996 - Surge Immunity
EN 61000-4-6:1996 - Conducted Immunity
EN 61000-4-11:1994 Voltage Dips, Short Interruptions and Voltage Variations Immunity
EN 61000-3-2:1995 With A1-3:1999 - Harmonic Current Emissions
EN 61000-3-3:1995 With A1:1998 - Voltage Fluctuations and Flicker

73/23/EEC Low-Voltage Directive

EN 61010-1:1993 With A1:1995 Safety Requirements of electrical equipment for measurement, control and laboratory use. Part 1: General requirements

déclare que le produit suivant :

Français

Désignation : Série 146 Numéros de modèle : 146E - (1,2 ou 3) (100-999) - (1, 2, 3 ou 4) (N'importe quelle combinaison de trois lettres ou chiffres)
Classification : Régulation de température, Catégorie d'installation II, Degré de pollution II
Tension nominale : 24, 120 ou 240V - (c.a.)
Fréquence nominale : 50 ou 60 Hz
Consommation d'alimentation nominale : 10 VA maximum

Répond aux normes essentielles des directives suivantes de l'Union européenne en utilisant les standards normalisés ci-dessous qui expliquent les normes auxquelles répondre :

Directive 89/336/CEE sur la compatibilité électromagnétique

EN 61326:1997 avec A1 :1998 - Matériel électrique destiné à l'étalonnage, au contrôle et à l'utilisation en laboratoire - Exigences CEM (Immunité industrielle, Émissions de catégorie A).
EN 61000-4-2:1996 Avec A1, 1998 - Immunité aux décharges électrostatiques
EN 61000-4-3:1997 - Immunité aux champs de radiation
EN 61000-4-4:1995 - Immunité contre les surtensions électriques rapides/ Rafale
EN 61000-4-5:1995 avec A1, 1996 - Immunité contre les surtensions
EN 61000-4-6:1996 - Immunité conduite
EN 61000-4-11:1994 Immunité contre les écarts de tension, interruptions courtes et variations de tension
EN 61000-3-2:1995 avec A1-3:1999 - Emissions de courant harmoniques
EN 61000-3-3:1995 avec A1 :1998 - Fluctuations et vacillements de tension

Directive 73/23/CEE sur les basses tensions

EN 61010-1:1993 avec A1 :1995 Normes de sécurité du matériel électrique pour la mesure, le contrôle et l'utilisation en laboratoire. 1ère partie : Conditions générales

Erklärt, daß das folgende Produkt:

Deutsch

Beschreibung: Serie 146
Modellnummer(n): 146E - (1, 2 oder 3) (100-999) - (1, 2, 3 oder 4) (Drei beliebige Buchstaben oder Ziffern)
Klassifikation: Regelsystem, Installationskategorie II, Emissionsgrad II
Nennspannung: 24, 120 oder 240V
Nennfrequenz: 50/60 Hz
Nominaler Stromverbrauch: Maximaler 10VA

Erfüllt die wichtigsten Normen der folgenden Anweisung(en) der Europäischen Union unter Verwendung des wichtigsten Abschnitts bzw. der wichtigsten Abschnitte die unten zur Befolgung aufgezählt werden.

89/336/EEC Elektromagnetische Übereinstimmungsanweisung

EN 61326:1997 With A1:1998 - Sicherheitsrichtlinien für Elektrogeräte zur Messung, zur Steuerung und im Labor - EMC Erfordernis (Industrieimmunität, Klasse A Emission).
EN 61000-4-2:1996 With A1, 1998 - Elektrostatische Entladungsimmunität
EN 61000-4-3:1997 - Strahlungsfeldimmunität
EN 61000-4-4:1995 - Elektrische schnelle Stöße/Burstimmunität
EN 61000-4-5:1995 With A1, 1996 - Spannungstoßimmunität
EN 61000-4-6:1996 - Störimmunität
EN 61000-4-11:1994 Spannungsabfall, Kurze Unterbrechungen und Spannungsschwankungsimmunität
EN 61000-3-2:1995 With A1-3:1999 - Grenzen der Oberwellenstromemissionen
EN 61000-3-3:1995 With A1:1998 - Spannungsschwankungen und Flimmern

73/23/EEC Niederspannungsrichtlinie zu entsprechen

EN 61010-1:1993 mit A1:1995 Sicherheitsrichtlinien für Elektrogeräte zur Messung, zur Steuerung und im Labor, Teil 1: Allgemeine Richtlinien

Declara que el producto siguiente:

Español

Designación: Serie 146
Números de modelo: 146E - (1, 2 ó 3) (100-999) - (1, 2, 3 ó 4) (Cualquier combinación de tres números y letras)
Clasificación: Control de temperatura, Categoría de instalación II, grado de contaminación ambiental II
Tensión nominal: 24, 120 ó 240V
Frecuencia nominal: 50/60 Hz
Consumo nominal de energía: 10 VA máximo

Cumple con los requisitos esenciales de las siguientes Directivas de la Unión Europea mediante el uso de las normas pertinentes que se muestran a continuación para indicar su acatamiento.

89/336/EEC Directiva de compatibilidad electromagnética

EN 61326:1997 CON a1:1998.- Equipo eléctrico para medición, control y uso en laboratorio - Requisitos EMC (Inmunidad industrial, Emisiones Clase A).
EN 61000-4-2:1996 con A1, 1988 - Inmunidad a descarga electrostática
EN 61000-4-3:1997 - Inmunidad a campo radiado
EN 61000-4-4:1995 - Inmunidad a incremento repentino/rápidas fluctuaciones eléctricas transitorias
EN 61000-4-5:1995 con A1, 1996 - Inmunidad a picos de voltaje o corriente
EN 61000-4-6:1996 - Inmunidad por conducción
EN 61000-4-11:1994 Inmunidad a caídas de voltaje, variaciones y pequeñas interrupciones de voltaje
EN 61000-3-2:1995 CON a1-3:1999 - Emisiones de corriente armónica
EN 61000-3-3:1995 con A1:1998 - Fluctuaciones de voltaje y centelleo

73/23/EEC Directiva de bajo voltaje

EN 61010-1:1993 con A1:1995 Requisitos de seguridad de equipo eléctrico para medición, control y uso en laboratorio. Parte 1: Requisitos generales

Jim Boigenzahn
Name of Authorized Representative

Winona, Minnesota, USA
Place of Issue

General Manager
Title of Authorized Representative

August 2001
Date of Issue

Signature of Authorized Representative

(2013)

Ordering Information

(2012) **146** - - **00**

Output Type

E = Electromechanical relay, 8A, Form C

Line Voltage

1 = 120V~

2 = 230V~ to 240V~

3 = 24V~

Input and Range

Type E

619 = 0 to 799°C (32 to 1470°F)

Type J

601 = 0 to 315°C (32 to 600°F)

602 = 0 to 750°C (32 to 1382°F)

615 = Fixed at 315°C (600°F)

618 = -17 to 93°C (0 to 200°F)

620 = 149 to 427°C (300 to 800°F)

623 = 43 to 54°C (110 to 130°F)

625 = 121 to 221°C (250 to 430°F)

Type K

603 = 0 to 1250°C (32 to 2282°F)

611 = 0 to 600°C (32 to 1112°F)

626 = 16 to 149°C (60 to 300°F)

627 = 0 to 66°C (32 to 150°F)

628 = -17 to 315°C (0 to 600°F)

Type T

629 = -200 to 350°C (-328 to 662°F)

632 = Fixed at -75°C (-103°F)

RTD

101 = -73 to 600°C (-100 to 1112°F) (100Ω)

104 = -73 to 600°C (-100 to 1112°F) (1000Ω)

105 = 0 to 80°C (32 to 176°F)

106 = Fixed at 200°C (392°F)

107 = Fixed at 350°C (662°F)

108 = Fixed at 110°C (230°F)

109 = Fixed at 150°C (302°F)

110 = Fixed at 120°C (248°F)

111 = Fixed at 250°C (482°F)

Limit Mode

1 = High limit, manual reset on power loss

2 = Low limit, manual reset on power loss

3 = High limit, automatic reset on power loss

4 = Low limit, automatic reset on power loss

Remote Options

0 = Regulating control, integral setpot

N = Regulating control, no setpot, customer provided

S = Regulating control, remote setpot with remote reset

P = Regulating control, remote setpot

NOTE: Electromechanical relays are typically warranted for 100,000 closures only.

Warranty

The Series 146 is warranted to be free of defects in material and workmanship for 36 months after delivery to the first purchaser for use, providing that the unit has not been misapplied. Since Watlow has no control over its use or misuse, we cannot guarantee against failure. Watlow's obligations hereunder, at Watlow's option, are limited to replacement or refund of purchase price of a unit which upon examination proves to be defective within the warranty period. This warranty does not apply to damage resulting from transportation, alteration, misuse or abuse.

Returns

- Call or fax Customer Service for a Return Material Authorization (RMA) number before returning a product.
- Put the RMA number on the shipping label, and also a description of the problem.
- A 20% of net price restocking charge applies to all standard units returned to stock.

Contact:

- Phone: 507/454-5300
- Fax: 507/452-4507

Technical Support

If you encounter a problem with your Watlow controller, verify that your wiring is correct for your specific model number. If the problem persists, an Application Engineer can discuss your application with you.

Before calling, please have the complete model number and user's manual available. You can get technical support by dialing 507/454-5300, 7 a.m. to 7 p.m. Central Standard Time. The Series 146 User's Manual is copyrighted by Watlow Inc., © 2001, with all rights reserved. (1965)

Note: User documentation may be available in French, German, Spanish, Italian, and Dutch, as well as English. Check Watlow's website (www.watlow.com/) for availability. Specify language at time of order.

Troubleshooting

Problem	Probable Cause	Action
The load will not turn on.	An open sensor	Repair or replace.
	The load circuit is open.	Check the fuses, circuit breakers, load and wiring.
	The ac input is not connected or is connected improperly.	Check the ac input connections. If not present, connect per Power Wiring, page 3.
The load will not turn off.	The polarity is reversed on the thermocouple.	Connect per Input Wiring, page 4.
	A faulty unit.	Remove power to the controller and the controller from the system. Apply power to the system with the controller removed. If the load turns off, return the controller to the factory. If the load remains on, there are other problems in the system that must be resolved. Consult the factory.

Free Manuals Download Website

<http://myh66.com>

<http://usermanuals.us>

<http://www.somanuals.com>

<http://www.4manuals.cc>

<http://www.manual-lib.com>

<http://www.404manual.com>

<http://www.luxmanual.com>

<http://aubethermostatmanual.com>

Golf course search by state

<http://golfingnear.com>

Email search by domain

<http://emailbydomain.com>

Auto manuals search

<http://auto.somanuals.com>

TV manuals search

<http://tv.somanuals.com>