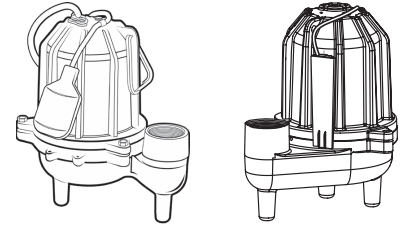


Please read and save these instructions. Read carefully before attempting to assemble, install, operate or maintain the product described. Protect yourself and others by observing all safety information. Failure to comply with instructions could result in personal injury and/or property damage! Retain instructions for future reference.



Sewage Pump



Description

A sewage system consists of a pump, control switch, and a basin for use in applications where less than six toilets (units) are discharged into the basin. The system is generally controlled by a float switch with a plug-in-plug which accepts the pump plug and in turn plugs into a 120 volt outlet. The float switch is a wide angle differential switch that rises with the liquid level and turns the pump on. As the liquid level decreases the float lowers and turns the pump off. The CSECAP40 and CSECAP50 are provided with a solid-state electronic "Switch-Genius" water level control. When

water is detected, the pump will start automatically. This pump is intended for use in domestic sewage lift stations. It is suitable for pumping sewage, effluent, wastewater, groundwater and other nonexplosive, noncorrosive liquids with up to 2 inch solids.

Unpacking

Inspect this unit before it is used. Occasionally, products are damaged during shipment. If the pump or components are damaged, return the unit to the place of purchase for replacement. Failure to do so could result in serious injury or death.

Safety Guidelines

This manual contains information that is very important to know and understand. This information is provided for SAFETY and to PREVENT EQUIPMENT PROBLEMS. To help recognize this information, observe the following symbols.

⚠ DANGER *Danger indicates an imminently hazardous situation which, if not avoided, will result in death or serious injury.*

⚠ WARNING *Warning indicates a potentially hazardous situation which, if not avoided, COULD result in death or serious injury.*

⚠ CAUTION *Caution indicates a potentially hazardous situation which, if not avoided, MAY result in minor or moderate injury.*

NOTICE *Notice indicates important information, that if not followed, may cause damage to equipment.*

SAVE THESE INSTRUCTIONS!

Specifications

	CSE50T	CSECAP40 CSECAP50
Power supply requirements	120V, 60 hz	120V, 60 hz
Circuit requirements	15 amps (min)	15 amps (min)
Motor duty	Intermittent	Intermittent
Motor	120V, 1 Phase	120V, 1 Phase
Horsepower	1/2	4/10 (CSECAP40) 1/2 (CSECAP50)
Motor full load	12.0	8.7
Liquid temperature range	40°F to 120°F	40°F to 120°F
Max. operating position	45° from vertical	45° from vertical
Dimensions	14 inches x 12inches	14 inches x 12inches
Intake	2 inches	2 inches
Discharge	2 inch NPT female	2 inch NPT female
Cut-in level (factory set)	19 inches	11 inches
Cut-out level (factory set)	9 inches	3 inches
Differential	10 inches	7 inches
Switch	90° wide angle mechanical tether switch	"Switch-Genius" capacitive water sensor
Power cord	16 gauge 3 Conductor w/plug	16 gauge 3 Conductor w/plug

Construction

Motor body materialCold rolled steel
Motor housingCast iron
VoluteCast iron
ImpellerGlass reinforced PBT
Seal plateCast Iron
Shaft sealMechanical

Performance

Model	GALLONS PER MINUTE AT TOTAL HEAD IN FEET		
	5'	10'	15'
CSECAP40	90	62	23
CSECAP50, CSE50T	113	90	33

**REMINDER: Keep your dated proof of purchase for warranty purposes!
Attach it to this manual or file it for safekeeping.**

General Safety Information

CALIFORNIA PROPOSITION 65

⚠ WARNING *This product or its power cord contains lead, a chemical known to the State of California to cause cancer and birth defects or other reproductive harm. Wash hands after handling.*

GENERAL SAFETY

1. Know the pump application, limitations, and potential hazards.

⚠ WARNING *Do not use to pump flammable or explosive fluids such as gasoline, fuel oil, kerosene, etc. Do not use in flammable and/or explosive atmospheres. Use pump only with liquids compatible with pump component materials. Failure to follow this warning can result in personal injury and/or property damage.*



2. Make certain that the power source (electric motor) conforms to the requirements of the equipment.

⚠ DANGER *Disconnect power before servicing. If the power disconnect is out of sight, lock in the open position and tag it to prevent unexpected application of power. Failure to do so could result in fatal electrical shock!*



3. Release all pressure within the system before servicing any component.
4. Drain all liquids from the system before servicing.

⚠ WARNING *This pump contains dielectric motor oil for lubrication and motor heat transfer. Care should be taken when disposing of this oil. Do not use this pump in ponds or fountains because the motor oil can be harmful to aquatic life.*

5. Secure the discharge line before starting the pump. An unsecured discharge line will whip, possibly causing personal injury and/or property damage.
6. Check hoses for weak and worn condition before each use, making certain that all connections are secure.

7. Periodically inspect the pump and system components. Perform routine maintenance as required (See Maintenance Section).
8. Provide a means of pressure relief for pumps whose discharge line can be shut-off or obstructed.
9. Personal Safety:
 - a. Wear safety glasses at all times when working with pumps.
 - b. Keep work area clean, uncluttered and properly lighted; replace all unused tools and equipment.
 - c. Keep visitors a safe distance from the work area. Make workshop child-proof with padlocks, master switches, and by removing starter keys.
10. When wiring an electrically driven pump such as this, follow all electrical and safety codes, as well as the most recent National Electrical Code (NEC) and the Occupational Safety and Health Act (OSHA).

⚠ WARNING *Risk of electric shock! Never connect the green (or green and yellow) wire to a live terminal!*



11. This equipment is only for use on 120 volt (single-phase) and is equipped with an approved 3-conductor cord and 3-prong, grounding-type plug as shown in Figure 1A & 1B.

To reduce the risk of electric shock, the motor must be securely and adequately grounded. This can be accomplished by the following:

- Inserting plug directly into a properly installed and grounded 3-prong, grounding-type receptacle (as shown in Figure 1A & 1B).

Where a 2-prong wall receptacle is encountered, it must be replaced with a properly grounded 3-prong receptacle installed in accordance with the NEC and local codes and ordinances.

12. All wiring should be performed by a qualified electrician.
13. Always connect this product to a grounded outlet equipped with a Ground Fault Circuit Interrupter (GFCI) device. Consult a local electrician for installation and availability.

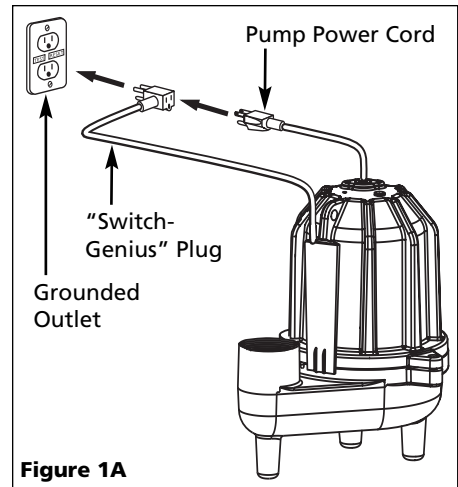


Figure 1A

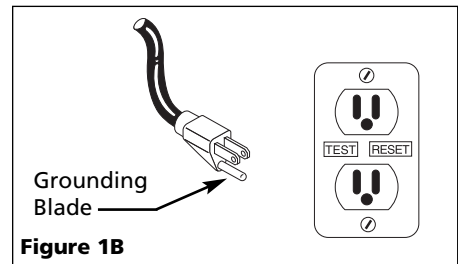


Figure 1B

⚠ WARNING *The pump motor is equipped with automatic resetting thermal protector and may restart unexpectedly. Protector tripping is an indication of motor overloading as a result of operating the pump at low heads (low discharge restriction), excessively high or low voltage, inadequate wiring, incorrect motor conditions, or a defective motor or pump.*

14. This pump is designed to transfer water in cycles. Using this pump in a continuous duty application by manipulating the switch to stay on, will effect the performance and the life of the product.
15. Protect electrical cord from sharp objects, hot surfaces, oil, and chemicals. Avoid kinking the cord. Replace or repair damaged or worn cords immediately. Use wire of adequate size to minimize voltage drop at the motor.
16. Do not handle a pump or pump motor with wet hands or when standing on a wet or damp surface, or in water.
17. Do not hang this product by the carry handle. Sewage pumps should be set firmly on their legs and supported by rigid piping. This eliminates twisting and damage during pump operation.
18. **Do not use an extension cord.**

General Safety Information (Continued)

⚠ DANGER

Do not walk on wet area until all power has been turned off. If the shut-off box is in basement, call the electric company to shut-off service to the house, or call the local fire department for instructions. Remove pump and repair or replace. Failure to follow this warning can result in fatal electrical shock.



Installation

NOTICE

In any installation where property damage and/or personal injury might result from an inoperative or leaking pump due to power outages, discharge line blockage or any other reason, use a backup system(s).

1. Thread the discharge pipe or pipe nipple into the discharge connection.
2. If a check valve is used in a solids handling system mount the check valve in a horizontal position or at a 45° angle with the valve pivot on top. In a vertical position, solids will tend to lodge on the valve flapper and can prevent it from opening.
3. Drill a 1/16 inch hole in the discharge pipe approximately 1 inch to 2 inches above the pump discharge when a check valve is used. The hole prevents air locking of the pump at the initial start-up and if it should lose prime.
4. A gate valve should be installed in the system after the check valve. This gate valve should be a full port valve which will pass 2 inch solids or as required by state and local codes. This gate valve permits removal of the pump and/or check valve for servicing.
5. A union should be installed between the check valve and the pump so the pump can be removed with least disturbance of the piping.
6. CSE50T models are supplied with a detachable tether switch with a piggyback plug (see figure 3A). The length of the tether (distance of cord from float to clamp) should not be set shorter than 3-1/4 inches and should not be used in a basin smaller than 14 inches in diameter. If using a differential other than the factory setting, be sure when the pump shuts off at least 4 inches of fluid is left in the basin so the impeller remains submerged.
7. When a tether switch is used, rigid discharge pipe is required. If the pump is allowed to move, the tether switch could be restricted by the basin wall, preventing the pump from operating.

⚠ CAUTION

Before removing pump from basin for service, always disconnect electrical power to pump and control switch. For any work on pump or switch, ALWAYS unplug the power cord. Do not just turn off circuit breaker or unscrew fuse.

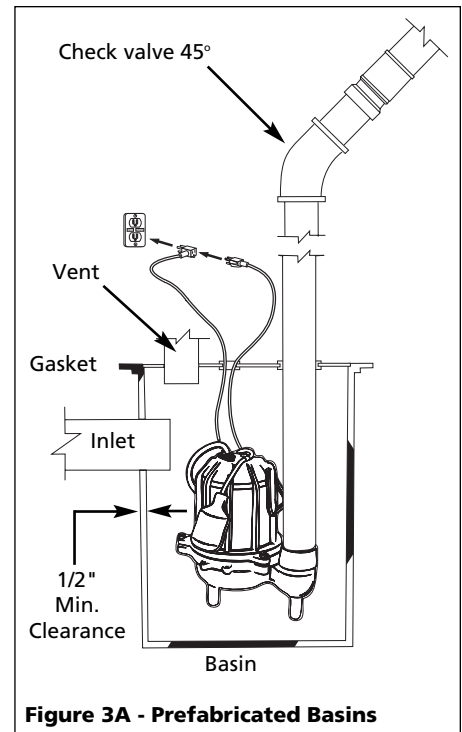


Figure 3A - Prefabricated Basins

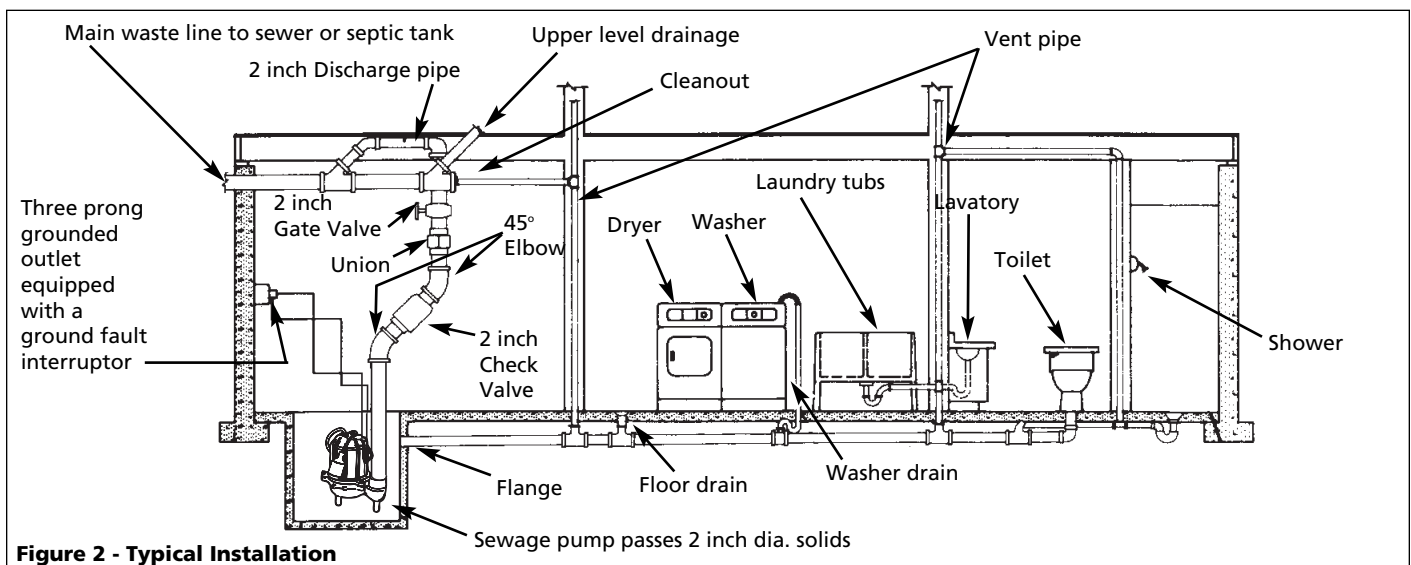


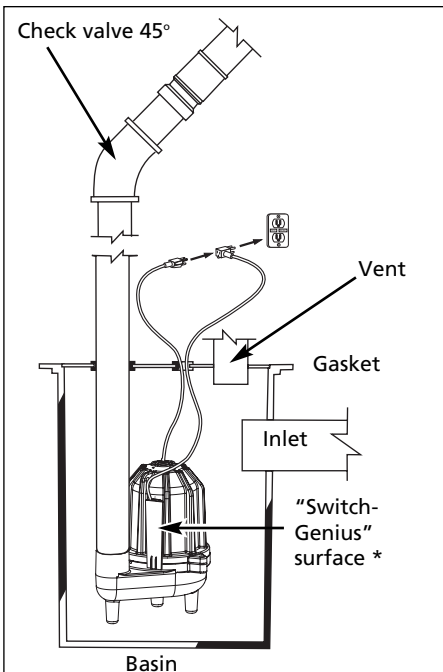
Figure 2 - Typical Installation

Installation (Continued)

- CSECAP40 and CSECAP50 models are supplied with an "Switch-Genius" capacitive water sensor (see figure 3B). Position the pump in the basin so that the "Switch-Genius" water sensor is 180° away from the basin inlet. Make certain the incoming water stream does not hit the "Switch-Genius" water sensor surface.

CAUTION

Before removing pump from basin for service, always disconnect electrical power to pump and control switch. For any work on pump or switch, ALWAYS unplug the power cord. Do not just turn off circuit breaker or unscrew fuse.



* Orient the pump so that the "Switch-Genius" switch surface is 180° away from the inlet. Make sure the incoming water stream does not hit the "Switch-Genius" surface.

Figure 3B - Prefabricated Basins

Maintenance

WARNING

Make certain

that the pump is unplugged before attempting to service or remove any component. This pump is assembled in the factory using special equipment; therefore only authorized service dealers or qualified electricians should attempt to repair this unit. Improper repair can cause an electrical shock hazard.

NOTICE

The pump

contains oil that may be under pressure because of heat. Let the pump cool for a minimum of two hours before servicing this unit.

- Disassembly of the motor prior to expiration of warranty will void the warranty. It might also cause internal leakage and damage to the unit. If repairs are required, return the pump to the dealer from whom it was purchased or call 1-800-237-0987. If motor is ever disassembled the o-rings must be replaced. Care must be taken to ensure that all seals do not leak.
- After the basin cover is removed and necessary discharge piping disconnected, lift pump from basin.
- Pump should be checked on a regular basis for proper operation. If anything has changed since unit was new, the unit should be removed and repaired or replaced. Only qualified electricians or service people should attempt to repair this unit. Improper repair and/or assembly can cause an electrical shock hazard.
- Place the pump in a suitable area where it can be cleaned thoroughly. Remove all scale and deposits on pump.

- Submerge the complete pump in a disinfectant solution (10% chlorine bleach solution) for at least one hour before handling the pump.
- Clean all dirt and deposits from the pump float. Make sure float moves freely after cleaning (CSE50T).
- Clean all dirt and deposits away from pump inlet and volute.
- Clean "Switch-Genius" water sensor surface (models CSECAP40 and CSECAP50).

WARNING

This pump

contains dielectric motor oil for lubrication and motor heat transfer. This oil can be harmful to the environment. Check state environmental laws before disposing of this oil. This oil can be harmful to aquatic life so consideration should be exercised in the application of this pump.

Troubleshooting Chart - CSE50T

Symptom	Possible Cause(s)	Corrective Action
Pump will not start or run	<ol style="list-style-type: none"> 1. Water level too low 2. Blown fuse or tripped circuit breaker 3. Low line voltage 4. Defective motor 5. Defective float switch 6. Impeller (pump filled with debris) 7. Tangled switch 8. Insufficient liquid level 	<ol style="list-style-type: none"> 1. Pump switch will not turn on unless water covers top of pump 2. If blown, replace with proper sized fuse or reset breaker 3. If voltage is under recommended minimum, check wiring size from the main switch on property. If OK, contact power company. 4. Return for service or replace motor 5. Replace float switch 6. If impeller will not turn, remove housing and remove debris 7. Arrange switch so the switch moves freely. Reposition pump if necessary 8. Make sure liquid level is at least 13" from the basin floor
Pump starts and stops too often	<ol style="list-style-type: none"> 1. Backflow of water from piping 2. Faulty float switch 3. Check valve not installed or leaking 4. Discharge head is less than manufacturer's minimum 	<ol style="list-style-type: none"> 1. Install check valve 2. Replace float switch 3. Remove and examine check valve for proper installation and free operation 4. Recheck all sizing calculations to determine proper pump size
Pump shuts off and turns on independently of switch (trips thermal overload protection)	<ol style="list-style-type: none"> 1. Excessive water temperature 2. Defective switch or entangled switch is causing pump to run dry 3. Low line voltage 	<ol style="list-style-type: none"> 1. Pump should not be used for water above 120° 2. Replace or reposition pump <div style="border: 1px solid black; padding: 2px; display: inline-block; margin-bottom: 5px;"> CAUTION </div> <p><i>Pump may start unexpectedly. Disconnect power supply before servicing</i></p> <ol style="list-style-type: none"> 3. If voltage is under recommended minimum, check wiring size from the main switch on property. If OK, contact power company
Pump operates noisily or vibrates excessively	<ol style="list-style-type: none"> 1. Worn bearings 2. Debris in impeller cavity or broken 3. Piping attachments to building structure too rigid or too loose 	<ol style="list-style-type: none"> 1. Return for service or replace 2. Remove housing, clean impeller and/or replace broken impeller 3. Replace portion of discharge pipe with flexible connector
Pump will not shut off	<ol style="list-style-type: none"> 1. Defective float switch 2. Float switch movement restricted 3. Restricted discharge (obstruction in piping) 4. Excessive inflow or pump not properly sized for application 	<ol style="list-style-type: none"> 1. Replace float switch 2. Reposition pump or clean basin as required to provide adequate clearance for float 3. Remove pump and clean pump & piping 4. Recheck all sizing calculation to determine proper pump size
Pump operates but delivers little or no water	<ol style="list-style-type: none"> 1. Low line voltage 2. Debris caught in impeller or discharge 3. Worn or defective pump parts or plugged impeller 4. Pump running backwards 5. Pump not properly sized for application 6. Check valve stuck closed or installed backwards 7. Shut off valve closed 	<ol style="list-style-type: none"> 1. If voltage is under recommended minimum, check wiring size from the main switch on property. If OK, contact power company 2. Remove, clean and check for tightness 3. Replace worn parts or entire pump. Clean parts if required 4. Check rotation. (CCW from bottom) Return if CW 5. Recheck all sizing calculations to determine proper pump size 6. Remove and examine check valve for proper installation and free operation 7. Open valve

Troubleshooting Chart - CSECAP40, CSECAP50

Symptom	Possible Cause(s)	Corrective Action
Pump will not start or run	<ol style="list-style-type: none"> 1. Water level too low 2. Blown fuse or tripped circuit breaker 3. Low line voltage 4. Defective motor 5. Defective "Switch-Genius" 6. Impeller (pump filled with debris) 7. Insufficient liquid level 	<ol style="list-style-type: none"> 1. "Switch-Genius" water sensor will not turn pump on unless water is within 1 inch of the top of the sensor. 2. If blown, replace with proper sized fuse or reset breaker 3. If voltage is under recommended minimum, check wiring size from the main switch on property. If OK, contact power company. 4. Return for service or replace motor 5. Replace "Switch-Genius" 6. If impeller will not turn, remove housing and remove debris 7. Make sure liquid level is at least 11" from the basin floor
Pump starts and stops too often	<ol style="list-style-type: none"> 1. Backflow of water from piping 2. Dirty "Switch-Genius" water sensor 3. Check valve not installed or leaking 4. Discharge head is less than manufacturer's minimum 	<ol style="list-style-type: none"> 1. Install check valve 2. Reposition pump, clean sensor face (Figure 3B). 3. Remove and examine check valve for proper installation and free operation 4. Recheck all sizing calculations to determine proper pump size
Pump shuts off and turns on independently of switch (trips thermal overload protection)	<ol style="list-style-type: none"> 1. Excessive water temperature 2. Low line voltage 	<ol style="list-style-type: none"> 1. Pump should not be used for water above 120° <div style="border: 1px solid black; padding: 5px; display: inline-block; margin-bottom: 5px;"> CAUTION </div> <p><i>Pump may start unexpectedly. Disconnect power supply before servicing</i></p> <ol style="list-style-type: none"> 2. If voltage is under recommended minimum, check wiring size from the main switch on property. If OK, contact power company
Pump operates noisily or vibrates excessively	<ol style="list-style-type: none"> 1. Worn bearings 2. Debris in impeller cavity or broken 3. Piping attachments to building structure too rigid or too loose 	<ol style="list-style-type: none"> 1. Return for service or replace 2. Remove housing, clean impeller and/or replace broken impeller 3. Replace portion of discharge pipe with flexible connector
Pump will not shut off	<ol style="list-style-type: none"> 1. Defective "Switch-Genius" switch 2. Restricted discharge (obstruction in piping) 3. Excessive inflow or pump not properly sized for application 	<ol style="list-style-type: none"> 1. Replace "Switch-Genius" switch 2. Remove pump and clean pump & piping 3. Recheck all sizing calculation to determine proper pump size
Pump operates but delivers little or no water	<ol style="list-style-type: none"> 1. Low line voltage 2. Debris caught in impeller or discharge 3. Worn or defective pump parts or plugged impeller 4. Pump running backwards 5. Pump not properly sized for application 6. Check valve stuck closed or installed backwards 7. Shut off valve closed 	<ol style="list-style-type: none"> 1. If voltage is under recommended minimum, check wiring size from the main switch on property. If OK, contact power company 2. Remove, clean and check for tightness 3. Replace worn parts or entire pump. Clean parts if required 4. Check rotation. (CCW from bottom) Return if CW 5. Recheck all sizing calculations to determine proper pump size 6. Remove and examine check valve for proper installation and free operation 7. Open valve

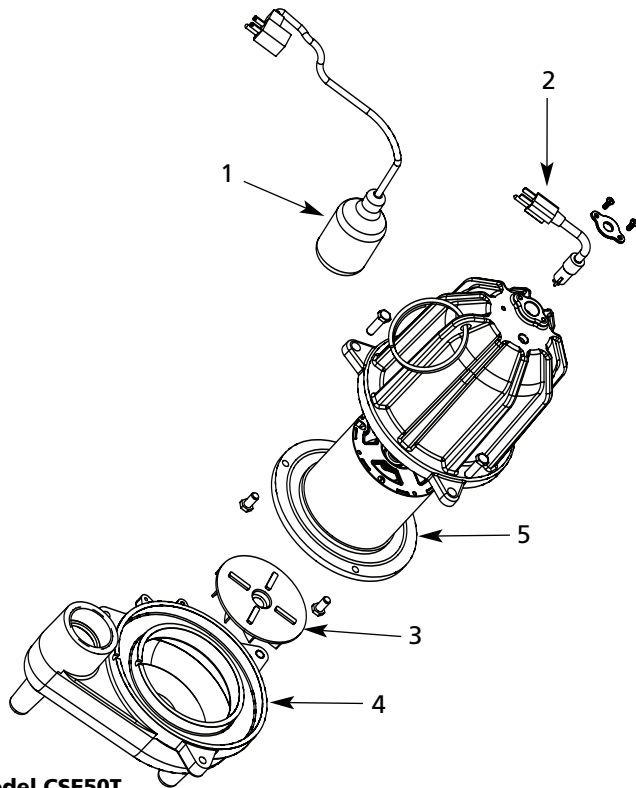
For Replacement Parts or Technical Assistance, call 1-800-237-0987

Please provide following information:

- Model number
- Serial number (if any)
- Part description and number as shown in parts list

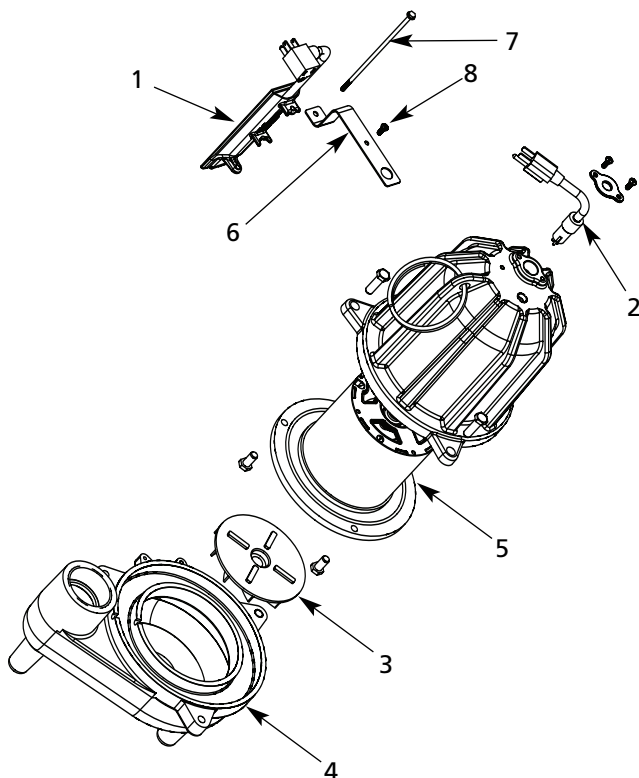
Address parts correspondence to:

Wayne Water Systems
101 Production Drive
Harrison, OH 45030 U.S.A.



Model CSE50T

Ref No.	Description	Part. No.	Qty.
1	Mechanical switch Kit	30000-009	1
2	Power cord	31035-001	1
3	Impeller	17317-001	1
4	Volute	41027-001	1
5	Motor Assembly with Shaft Seal	8322	1



Models CSECAP40 and CSECAP50

Ref No.	Description	Part. No.	Qty.
1	Capacitive Water Sensor	7465	1
2	Power cord, 10 ft.	31035-001	1
3	Impeller	17317-001	1
4	Volute	41027-001	1
5	Motor Assembly with Shaft Seal	8322	1
6	Bracket	7434	1
7	Through Bolt	16836-004	1
8	Screw	67050-001	3

Limited Warranty

Limited lifetime (one-time full replacement) for CSE50T and CSECAP50 and five years for CSECAP40 from the date of purchase, Wayne Water Systems ("Wayne") will repair or replace, at its option, for the original purchaser any part or parts of its Sump Pumps or Water Pumps ("Product") found upon examination by Wayne to be defective in materials or workmanship. Please call Wayne (800-237-0987) for instructions or see your dealer. Be prepared to provide the model number when exercising this warranty. All transportation charges on Products or parts submitted for repair or replacement must be paid by purchaser.

This Limited Warranty does not cover Products which have been damaged as a result of accident, abuse, misuse, neglect, improper installation, improper maintenance, or failure to operate in accordance with Wayne's written instructions.

THERE IS NO OTHER EXPRESS WARRANTY. IMPLIED WARRANTIES, INCLUDING THOSE OF MERCHANTABILITY AND FITNESS FOR A PARTICULAR PURPOSE, ARE LIMITED TO A LIMITED LIFETIME FOR CSE40T AND CSECAP50 AND FIVE YEARS FOR CSECAP40 FROM THE DATE OF PURCHASE. THIS IS THE EXCLUSIVE REMEDY AND ANY LIABILITY FOR ANY AND ALL INDIRECT OR CONSEQUENTIAL DAMAGES OR EXPENSES WHATSOEVER IS EXCLUDED.

Some states do not allow limitations on how long an implied warranty lasts, or do not allow the exclusions or limitations of incidental or consequential damages, so the above limitations might not apply to you. This limited warranty gives you specific legal rights, and you may also have other legal rights which vary from state to state.

In no event, whether as a result of breach of contract warranty, tort (including negligence) or otherwise, shall Wayne or its suppliers be liable for any special, consequential, incidental or penal damages including, but not limited to loss of profit or revenues, loss of use of the products or any associated equipment, damage to associated equipment, cost of capital, cost of substitute products, facilities, services or replacement power, downtime costs, or claims of buyer's customers for such damages.

You **MUST** retain your purchase receipt along with this form. In the event you need to exercise a warranty claim, you **MUST** send a **copy** of the purchase receipt along with the material or correspondence. Please call Wayne (800-237-0987) for return authorization and instructions.

DO NOT MAIL THIS FORM TO WAYNE. Use this form only to maintain your records.

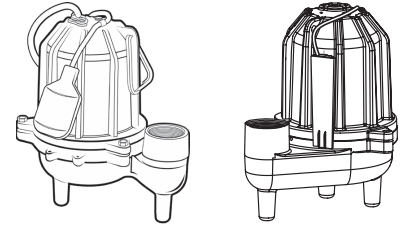
MODEL NO. _____ SERIAL NO. _____ INSTALLATION DATE _____

ATTACH YOUR RECEIPT HERE

S'il vous plaît lire et conserver ces instructions. Lire attentivement avant de monter, installer, utiliser ou de procéder à l'entretien du produit décrit. Se protéger ainsi que les autres en observant toutes les instructions de sécurité, sinon, il y a risque de blessure et/ou dégâts matériels! Conserver ces instructions comme référence.



Pompe Pour Eaux Usées



Description

Un système du tout-à-l'égout comprend une pompe, un interrupteur de commande, et un réservoir pour les applications dont moins de six toilettes (modèles) se vident dans le réservoir. Le système est généralement réglé par un interrupteur à flotteur avec une fiche dans une fiche qui accepte la fiche de la pompe et en tour se branche dans une prise de courant de 120 V.

L'interrupteur à flotteur est de type à angle large, différentiel qui monte avec le niveau du liquide et met la pompe en marche. Quand le niveau du liquide baisse, le flotteur baisse et arrête la pompe. Les modèles CSECAP40 et CSECAP50 sont fournis avec un contrôle

de niveau d'eau « Switch-Genius » à électronique de l'état solide. Lorsque de l'eau est détectée, la pompe démarre automatiquement. Cette pompe est conçue pour les stations d'élevage d'eaux usées domestiques et est convenable pour le pompage des eaux usées, eaux d'égout, eaux résiduaires, eaux souterraines et autres liquides non-explosifs et non-corrosifs avec matières solides jusqu'à 5,08 cm (2 pouces).

Déballage

Inspecter cet appareil avant de l'utiliser. À l'occasion, les produits sont endommagés durant l'expédition. Si la pompe ou les composants sont endommagés, rapporter l'appareil à l'endroit d'achat pour son

remplacement. Ne pas suivre ces instructions pourraient mener à de graves blessures ou à la mort.

Directives De Sécurité

Ce manuel contient de l'information très importante qui est fournie pour la SÉCURITÉ et pour ÉVITER LES PROBLÈMES D'ÉQUIPEMENT. Rechercher les symboles suivants pour cette information.

⚠ DANGER *Danger indique une situation hasardeuse imminente qui résultera en perte de vie ou blessures graves.*

⚠ AVERTISSEMENT *Avertissement indique une situation hasardeuse potentielle qui peut résulter en perte de vie ou blessures graves.*

⚠ ATTENTION *Attention indique une situation hasardeuse potentielle qui peut résulter en blessures.*

AVIS *Avis indique l'information importante pour éviter le dommage de l'équipement.*

CONSERVER CES INSTRUCTIONS

Spécifications

	CSE50T	CSECAP40 CSECAP50
Alimentation requiert	120V, 60 hz	120V, 60 hz
Exigences de circuit	15 A (min)	15 A (min)
Service du moteur	Intermittent	Intermittent
Moteur	120V, Monophasé	120V, Monophasé
Horse Power	1/2	4/10 (CSECAP40) 1/2 (CSECAP50)
Moteur à pleine charge	12.0	8.7
Gamme de température du liquide	4°C à 44°C (40°F to 120°F)	4°C à 44°C (40°F to 120°F)
Position de fonctionnement max	45° du vertical	45° du vertical
Dimensions	35,6 cm X 30,5 cm (14 po x 12 po)	35,6 cm X 30,5 cm (14 po x 12 po)
Entrée	5,05 cm (2 po)	5,05 cm (2 po)
Décharge	5,05 cm (2 po) NPT femelle	5,05 cm (2 po) NPT femelle
Niveau de démarrage (réglé à l'usine)	48,3 cm (19 po)	27,94 cm (11 po)
Niveau d'arrêt (réglé à l'usine)	22,9 cm (9 po)	7,6 cm (3 po)
Differential	25,4 cm (10 po)	17,78 cm (7 po)
Switch	90° Mécanique à long angle large interrupteur	Capteur d'eau capacitif « Switch-Genius »
Power cord	Calibre 16, 3 fils avec fiche	Calibre 16, 3 fils avec fiche

Fabrication

Corps du moteurAcier laminé à froid
 Carter du moteurFonte
 VoluteFonte
 Turbine.....PBT renforcé de verre
 Plaque d'étanchéitéEn fonte
 Joint d'arbreMécanique

Rendement

Modèle	GALLONS PAR MINUTE À LA TÊTE TOTALE EN PIEDS		
	5 pi	10 pi	15 pi
CSECAP40	90	62	23
CSECAP50, CSE50T	113	90	33

**MÉMENTO: Gardez votre preuve datée d'achat à fin de la garantie!
 Joignez-la à ce manuel ou classez-la dans un dossier pour plus de sécurité.**

Généralités Sur La Sécurité

PROPOSITION 65 CALIFORNIE

⚠ AVERTISSEMENT Ce produit ou son cordon peuvent contenir des produits chimiques qui, de l'avis de l'État de Californie, causent le cancer et des anomalies congénitales ou autres problèmes de reproduction. Lavez-vous les mains après la manipulation.

DIRECTIVES GÉNÉRALES SUR LA SÉCURITÉ

1. Se familiariser avec l'application, les limites et les hasards potentiels de la pompe.

⚠ AVERTISSEMENT Ne pas utiliser pour le pompage des liquides inflammables ou explosifs tels que l'essence, l'huile à chauffage, le kérosène, etc. Ne pas utiliser dans une atmosphère inflammable et/ou explosive. Utiliser la pompe seulement avec les liquides qui sont compatibles avec les pièces détachées de la pompe. Ne pas suivre cet avertissement peut résulter en blessure grave et/ou dégâts matériels.

2. S'assurer que la source de courant (moteur électrique) se conforme aux exigences de l'équipement.

⚠ DANGER Débrancher la source de courant avant de procéder à l'entretien et aux réparations. Si la source d'alimentation est hors de la vue, la verrouiller dans la position ouverte et l'étiqueter afin d'éviter que l'appareil soit mis sous tension accidentelle. Ne pas suivre ces directives peut résulter en choc électrique!

3. Dissiper toute la pression dans le système avant de procéder à l'entretien et aux réparations de n'importe quelle pièce détachée.

⚠ AVERTISSEMENT Cette pompe contient de l'huile à moteur diélectrique pour le transfert de chaleur du moteur. Attention en éliminant cette huile. Ne pas utiliser cette pompe dans les étangs ou les fontaines car l'huile à moteur pourrait être dangereux pour la vie aquatique.

4. Purger tous liquides de procéder à l'entretien et aux réparations.
5. Fixer la ligne de décharge avant de démarrer la pompe. Une ligne de décharge non-fixée peut fouetter et causer des blessures personnelles et/ou des dégâts matériels.

6. Inspecter les tuyaux pour tout signe de faiblesse et d'usure avant chaque utilisation et vérifier le serrage de tous les branchements.
7. Inspecter la pompe et les pièces détachées du système périodiquement. Exécuter l'entretien ordinaire (Se référer à la section d'Entretien).
8. Fournir un système de dégagement de pression pour les pompes avec lignes de décharge qui peuvent devenir obstruées ou coupées.
9. Sécurité Personnelle:
 - a. Toujours porter des lunettes de sécurité si vous travaillez avec les pompes.
 - b. Garder l'endroit de travail propre, non-encombré et bien illuminé. Ranger tous les outils et l'équipement après l'usage.
 - c. Garder les visiteurs à une distance sans danger de l'endroit de travail. Protéger l'atelier pour les enfants avec des cadenas, interrupteurs principaux et en enlevant les clefs de démarrage.
10. Pendant l'installation de fils d'une pompe électrique telle que celle-ci, suivre tous les codes de sécurité ainsi que les codes récents du National Electrical Code (NEC) et l'Occupational Safety and Health Act (OSHA).

⚠ AVERTISSEMENT Risque de secousse électrique! Ne jamais brancher le fil vert (ou vert et jaune) à une borne électrisée!

11. Cet équipement est conçu pour un circuit de 120 v (monophasé) et est équipé d'un cordon approuvé à trois conducteurs et une fiche de terre à trois broches tel qu'indiqué dans la Figure 1A et 1B.

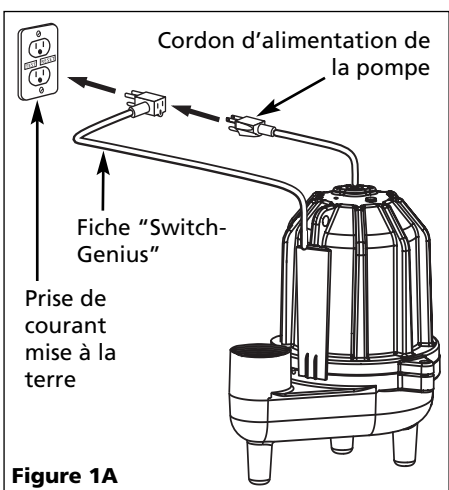


Figure 1A

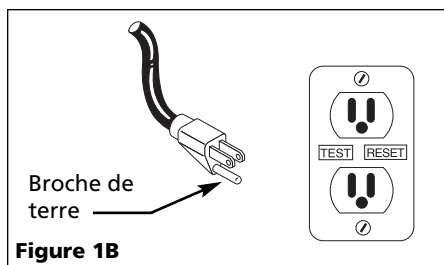


Figure 1B

Pour réduire le risque de choc électrique, le moteur doit être mis à la terre correctement et avec soin comme suit:

- Introduire la fiche directement dans une prise de terre tripolaire, installée correctement et mise à la terre (tel qu'indiquée dans la Figure 1A et 1B).

Remplacer les prises à deux broches avec des prises à trois broches mises à la terre correctement selon les codes et ordonnances locaux et de NEC.

12. Toute installation de fils doit être effectuée par un électricien qualifié.
13. Il est recommandé que le modèle soit branché dans un disjoncteur de fuite à la terre (DDFT). Consulter un électricien local pour la disponibilité et l'installation.

⚠ AVERTISSEMENT Le moteur de la pompe est équipé d'un protecteur thermique à réenclenchement automatique et peut se mettre en marche subitement. Le déclenchement du protecteur est une indication de surcharge du moteur résultant du fonctionnement de la pompe à basse pression (restriction de décharge basse), tension extrêmement élevée ou basse, installation de fils insuffisante, conditions de moteur incorrectes, ou un moteur ou une pompe défectueux.

14. Cette pompe est conçue pour transporter l'eau en cycles. Utiliser cette pompe dans une application continue en manipulant l'interrupteur pour qu'il reste enclenché affectera la performance et l'espérance de vie du produit.
15. Protéger le cordon d'alimentation des objets pointus, surfaces chaudes, huile et produits chimiques. Ne pas tortiller le cordon. Remplacer ou réparer les cordons usés ou endommagés immédiatement. Utiliser des fils de taille suffisante pour minimiser la chute de tension au moteur.
16. Ne pas manipuler de pompe ou de pompe de moteur avec les mains trempées ni lorsque vous êtes debout sur une surface trempée ou humide, ou dans l'eau.

Généralités Sur La Sécurité (suite)

- Ne pas pendre ce produit par la poignée. Les pompes pour eaux usées devraient être placées fermement sur leurs pieds et supportées avec de la tuyauterie rigide. Ceci empêche le tortillement et les dommages pendant le fonctionnement de la pompe.
- Ne pas utiliser un cordon prolongateur.**

⚠ DANGER

Ne pas marcher dans un endroit trempé jusqu'à ce que toutes les sources de courant soient coupées. Si la boîte d'arrêt est dans le sous-sol, contacter votre compagnie d'électricité pour couper le service à la maison ou contacter le service d'incendie pour des directives. Enlever la pompe et la réparer ou la remplacer. Ne pas suivre ces conseils peut résulter en choc électrique mortel.



Installation

AVIS

Utiliser un des système(s) de sauvegarde là où il y a un risque de dégâts matériels et/ou blessures personnelles à cause d'une pompe qui ne fonctionne pas ou qui a des fuites à cause des manques de puissance, canalisations de décharge obstruées ou autres raisons.

- Fileter le tuyau de décharge ou le mamelon de tuyau dans le raccord de décharge.
- Si un clapet est utilisé, monter le clapet dans une position horizontale ou à un angle de 45° avec le pivot de la soupape en haut.

Dans une position verticale, les solides ont tendance à se déposer sur le volet de la soupape et peuvent l'empêcher de s'ouvrir.

- Percer un trou de 1/16 po dans le tuyau de décharge environ 1 à 2 po par-dessus la décharge de la pompe lorsque vous utilisez un clapet. Le trou empêche le blocage par l'air de la pompe au départ initial et si elle perd l'amorçage.
- Une vanne devrait être installée dans le système après le clapet. La vanne devrait être de type à orifice plein qui passera des solides de 2 po ou selon les exigences des codes locaux et de la Province. Cette vanne permet l'enlèvement de la pompe et/ou du clapet pour l'entretien.
- Installer un raccord-union entre le clapet et la pompe pour que la pompe puisse être enlevée sans trop déranger la tuyauterie.
- Les modèles CSE50T sont fournis avec un interrupteur à longe amovible avec fiche d'arrimage (voir la figure 3A). La longueur de la longe (distance du cordon du flotteur à la pince) ne doit pas être inférieure à 9,5 cm (3 1/4 po) et la longe ne doit pas être utilisée dans un bassin de diamètre inférieur à 35,6 cm (14 po). Si vous utilisez un différentiel autre que le réglage en usine, assurez-vous que la pompe s'éteint lorsqu'il reste au moins 10 cm (4 po) dans le bassin pour que l'impulseur reste submergé.

- Lorsque vous utilisez un interrupteur ancré, il faut une tuyauterie de décharge rigide. Si la pompe peut se déplacer, l'interrupteur ancré peut être limité par le mur du bassin, empêchant la pompe de fonctionner.

⚠ ATTENTION

Avant d'enlever

la pompe du bassin pour l'entretien, toujours couper le courant à la pompe et à l'interrupteur de commande. Pour procéder à l'entretien de la pompe ou l'interrupteur, TOUJOURS débrancher le cordon d'alimentation. Ne pas seulement couper le disjoncteur ou desserrer le fusible.

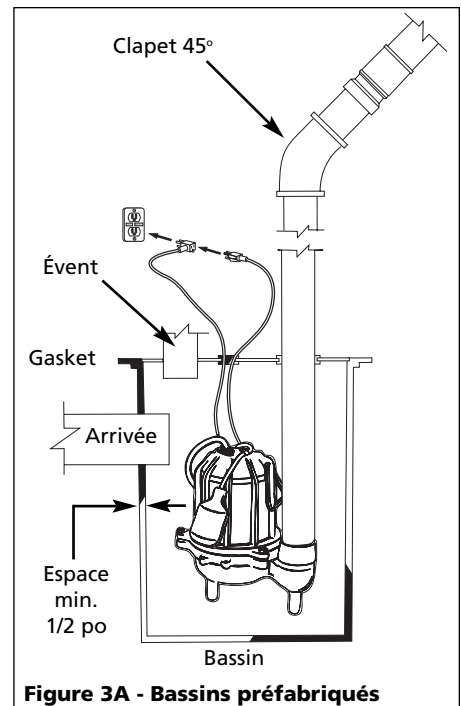


Figure 3A - Bassins préfabriqués

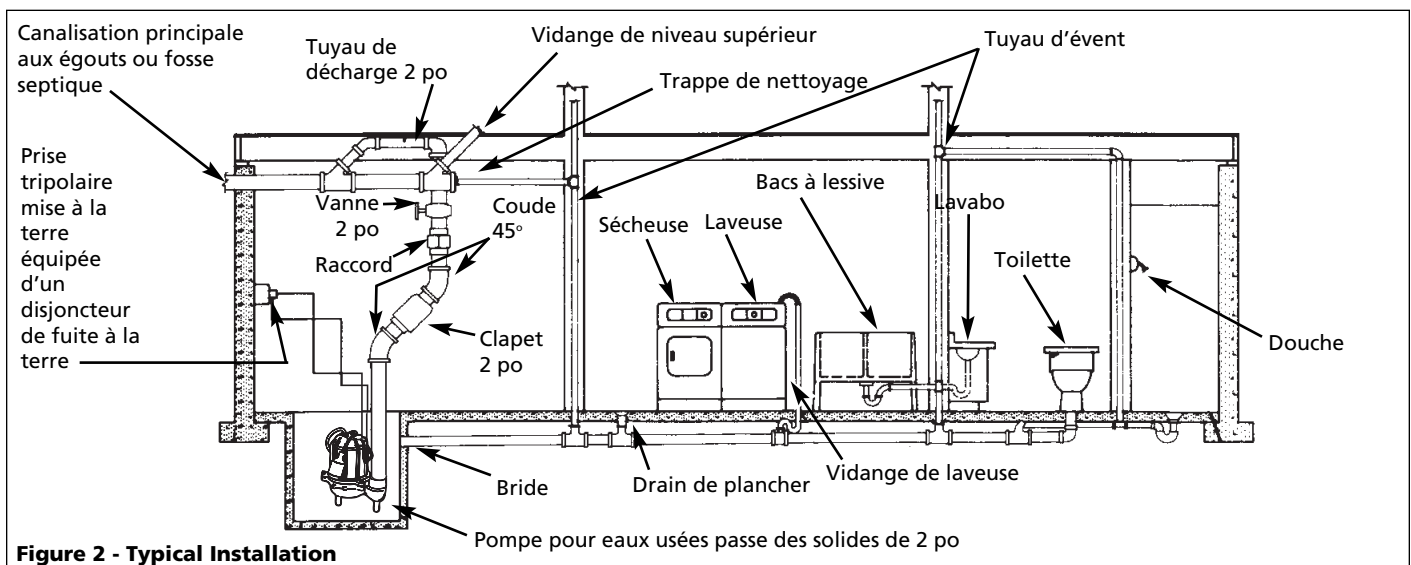


Figure 2 - Typical Installation

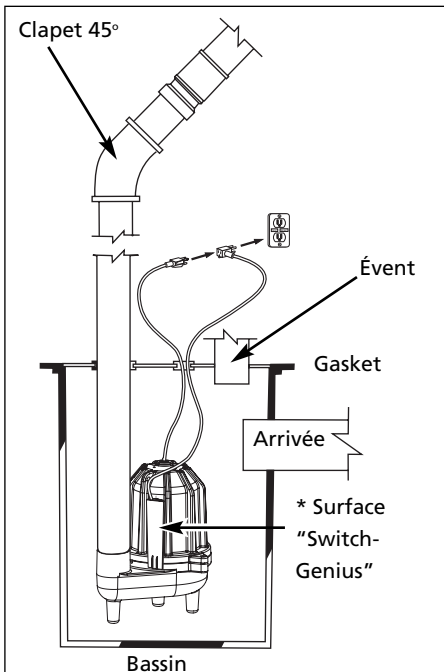
Installation (suite)

8. Les modèles CSECAP40 et CSECAP50 sont fournis avec un capteur d'eau capacitif « Switch-Genius » (voir la figure 3B). Placez la pompe dans le bassin pour que le capteur d'eau « Switch-Genius » soit à 180° de l'entrée du bassin. Assurez-vous que le jet d'eau entrant ne frappe pas la surface du capteur d'eau « Switch-Genius ».

⚠ ATTENTION

Avant d'enlever

la pompe du bassin pour l'entretien, toujours couper le courant à la pompe et à l'interrupteur de commande. Pour procéder à l'entretien de la pompe ou l'interrupteur, **TOUJOURS débrancher le cordon d'alimentation. Ne pas seulement couper le disjoncteur ou desserrer le fusible.**



* Orienter la pompe pour que le « Switch-Genius » soit à 180° de l'entrée. S'assurer que le jet d'eau entrant ne frappe pas la surface du « Switch-Genius ».

Figure 3B - Bassins préfabriqués

Entretien

⚠ AVERTISSEMENT

S'assurer que la pompe soit débranchée avant d'essayer de procéder à l'entretien ou d'enlever les pièces détachées. La pompe est montée à l'usine avec de l'équipement spécial, donc seulement un centre de service autorisé ou un électricien qualifié devrait essayer de réparer ce modèle. La réparation incorrecte peut causer un danger de choc électrique.

AVIS

La pompe

contient de l'huile qui peut être sous pression à cause de la chaleur. Laisser refroidir la pompe pendant au moins deux heures de procéder à l'entretien de ce modèle.

- Démonter le moteur avant l'expiration de la garantie annulera la garantie. Il est aussi possible de causer des fuites internes et d'endommager le modèle. S'il faut réparer, retourner la pompe au marchand de qui vous l'avez acheté ou composer le 1-800-237-0987. Si le moteur est démonté, les joints toriques doivent être remplacés. Faites attention qu'il n'y ait pas de fuites aux joints.
- Enlever le couvercle du bassin et débrancher la tuyauterie de décharge avant de soulever la pompe du bassin.
- Inspecter la pompe à intervalles réguliers pour s'assurer de son bon fonctionnement. S'il y a eu des changements depuis l'achat du modèle, l'enlever et le réparer ou le remplacer. Seulement un électricien ou des personnes de service qualifiées devraient essayer de réparer ce modèle. La réparation et/ou le montage incorrect peuvent résulter en danger de choc électrique.

- Placer la pompe dans un endroit convenable, là où elle peut être bien nettoyée. Enlever tous les déchets et dépôts sur la pompe.
- Immerger la pompe entière dans une solution désinfectante (10% solution de blanchissage) pour au moins une heure avant de manipuler la pompe.
- Nettoyer toute la saleté du flotteur de la pompe. S'assurer que le flotteur se déplace librement suite au nettoyage (CSE50T).
- Nettoyer toute saleté et dépôts de l'arrivée de la pompe et la volute.
- Nettoyez la surface du capteur « Switch-Genius » (modèles CSECAP40 et CSECAP50).

⚠ AVERTISSEMENT

Cette pompe

contient de l'huile de moteur dielectrique pour le graissage et le transfert de chaleur du moteur. Cette huile peut nuire à l'environnement. Consulter les règlements locaux avant de se débarrasser de l'huile. Considérer que cette huile peut nuire à la vie aquatique lorsque vous choisissez d'utiliser cette pompe débarrasser de l'huile. Considérer que cet huile peut nuire à la vie aquatique lorsque vous choisissez d'utiliser cette pompe.

Guide de Dépannage - CSE50T

Symptôme	Cause(s) Possible(s)	Mesure Corrective
La pompe ne se démarre pas et ne fonctionne pas	<ol style="list-style-type: none"> 1. Niveau d'eau trop bas 2. Fusible sauté ou disjoncteur déclenché 3. Tension de ligne basse 4. Moteur défectueux 5. Interrupteur flotteur défectueux 6. Impulseur (pompe remplie de débris) 7. Interrupteur enmêlé 8. Niveau de liquide insuffisant 	<ol style="list-style-type: none"> 1. L'interrupteur de la pompe ne se met pas en marche sans que l'eau recouvre le haut de la pompe 2. Si sauté, remplacer avec un fusible de taille correcte ou réenclencher le disjoncteur 3. Si la tension est sous le minimum recommandé, vérifier la taille des fils de l'interrupteur général de la propriété. Si correcte, contacter la compagnie de service publique. 4. Retourner pour l'entretien ou remplacer le moteur 5. Remplacer l'interrupteur flotteur 6. Si la turbine ne tourne pas, enlever le carter et enlever le débris 7. Positionner l'interrupteur pour qu'elle se déplace librement. Déménager la pompe si nécessaire 8. S'assurer que le niveau de liquide soit au moins 33,02 cm (13 po) du fond du bassin
La pompe se démarre et s'arrête trop souvent	<ol style="list-style-type: none"> 1. Refoulement d'eau de la tuyauterie 2. Interrupteur flotteur défectueux 3. Clapet non-installé ou qui a des fuites 4. Hauteur de décharge inférieur au minimum du fabricant 	<ol style="list-style-type: none"> 1. Installer un clapet 2. Remplacer l'interrupteur flotteur 3. Enlever et examiner le clapet pour l'installation correcte et le fonctionnement libre 4. Vérifier de nouveau les calculs de taille pour déterminer la taille de pompe correcte
La pompe s'arrête et se démarre indépendamment de l'interrupteur (déclenche le protecteur de surcharge thermique)	<ol style="list-style-type: none"> 1. Température d'eau excessive 2. Interrupteur défectueux ointerrupteur enmêlé cause que la pompe fonctionne à sec 3. Tension de ligne basse 	<ol style="list-style-type: none"> 1. La pompe ne devrait pas être utilisée pour l'eau au delà de 44° C (120° F) 2. Remplacer ou repositionner la pompe <div style="border: 1px solid black; padding: 2px; display: inline-block; margin: 5px 0;">ATTENTION</div> <i>La pompe peut se démarrer subitement. Débrancher la source de puissance avant de procéder à l'entretien</i> <ol style="list-style-type: none"> 3. Si la tension est sous le minimum recommandé, vérifier la taille des fils de l'interrupteur général de la propriété. Si correcte, contacter la compagnie de service publique
La pompe fonctionne bruyamment et vibre excessivement	<ol style="list-style-type: none"> 1. Roulements usés 2. Débris dans la cavité de l'impulseur ou en panne 3. Raccords de tuyauterie à l'édifice trop rigides ou trop desserrés 	<ol style="list-style-type: none"> 1. Retourner pour l'entretien ou remplacer 2. Enlever le carter, nettoyer la turbine et/ou remplacer la turbine en panne 3. Remplacer la section de tuyau de décharge avec un raccord flexible
La pompe ne s'arrête pas	<ol style="list-style-type: none"> 1. Interrupteur flotteur défectueux 2. Mouvement de l'interrupteur flotteur limité 3. Décharge limité (tuyauterie obstruée) 4. Arrivée excessive ou pompe de taille incorrecte pour l'application 	<ol style="list-style-type: none"> 1. Remplacer l'interrupteur flotteur 2. Positionner de nouveau la pompe ou nettoyer le bassin au besoin pour fournir l'espace nécessaire pour le flotteur 3. Enlever la pompe et nettoyer la pompe et la tuyauterie 4. Vérifier de nouveau les calculs de taille pour déterminer la taille de pompe correcte
La pompe fonctionne mais délivre peu ou pas d'eau	<ol style="list-style-type: none"> 1. Tension de ligne basse 2. Débris pris dans l'impulseur ou le décharge 3. Pièces de la pompe usées ou défectueuses, ou impulseur obstrué 4. Pompe fonctionne à l'envers 5. Pompe de mauvaise taille pour l'application 6. Clapet pris dans la position fermée ou installée à l'envers 7. Soupape d'arrêt fermée 	<ol style="list-style-type: none"> 1. Si la tension est sous le minimum recommandé, vérifier la taille des fils de l'interrupteur général de la propriété. Si correcte, contacter la compagnie de service publique. 2. Enlever, nettoyer et vérifier le serrage 3. Remplacer les pièces usées ou la pompe entière. Nettoyer les pièces au besoin 4. Vérifier la rotation. (sens contraire des aiguilles d'une montre du bas) Retourner si au sens des aiguilles d'une montre 5. Vérifier de nouveau les calculs de taille pour déterminer la taille de pompe correcte 6. Enlever et examiner le clapet pour l'installation correcte et le fonctionnement libre 7. Ouvrir la soupape

Guide de Dépannage - CSECAP40, CSECAP50

Symptôme	Cause(s) Possible(s)	Mesure Corrective
La pompe ne démarre pas ou ne fonctionne pas	<ol style="list-style-type: none"> 1. Niveau d'eau trop bas 2. Fusible grillé ou disjoncteur déclenché 3. Basse tension de ligne 4. Moteur défectueux 5. « Switch-Genius » défectueux 6. Impulseur (pompe remplie de débris) 7. Niveau de liquide insuffisant 	<p>Le capteur d'eau « Switch-Genius » ne mettra pas la pompe en marche à moins que l'eau ne soit à 2,54 cm (1 po) du dessus du capteur.</p> <ol style="list-style-type: none"> 2. Si grillée, remplacez en utilisant la bonne taille de fusible ou réinitialisez le disjoncteur 3. Si la tension est sous le minimum recommandé, vérifiez la taille du câblage à partir de l'interrupteur principal de la propriété. Si OK, contactez les services publics d'électricité 4. Retournez pour faire réparer ou remplacer le moteur 5. Remplacez le « Switch-Genius » 6. Si l'impulseur ne fonctionne pas, retirez le boîtier et retirez les débris 7. Assurez-vous que le niveau de liquide est à au moins 28 cm (11 po) du plancher du bassin
La pompe démarre et s'arrête trop souvent	<ol style="list-style-type: none"> 1. Retour d'eau de la tuyauterie 2. Capteur d'eau « Switch-Genius » sale 3. Soupape à clapet non installé ou fuit 4. La tête de décharge est inférieure au minimum indiqué par le fabricant 	<ol style="list-style-type: none"> 1. Installez la soupape à clapet 2. Repositionnez la pompe, nettoyez la face du capteur (figure 3B) 3. Retirez et examinez la soupape à clapet pour vous assurer de son bon fonctionnement et de son utilisation sans problème 4. Révérifiez tous les calculs de taille pour déterminer la bonne taille de la pompe
La pompe s'éteint et se remet en marche indépendamment de l'interrupteur (déclenche la protection thermique de surcharge)	<ol style="list-style-type: none"> 1. Température d'eau excessive 2. Basse tension de ligne 	<ol style="list-style-type: none"> 1. La pompe ne devrait pas être utilisée pour de l'eau dépassant 48,9 °C (120 °F) <div style="border: 1px solid black; padding: 5px; margin: 5px 0;"> <p>⚠ ATTENTION <i>La pompe pourrait démarrer accidentellement. Coupez le courant avant tout entretien ou réparation</i></p> </div> <ol style="list-style-type: none"> 2. Si la tension est sous le minimum recommandé, vérifiez la taille du câblage à partir de l'interrupteur principal de la propriété. Si OK, contactez les services publics d'électricité
La pompe fonctionne bruyamment ou vibre trop	<ol style="list-style-type: none"> 1. Roulements usés 2. Débris dans la cavité de l'impulseur ou brisé 3. Accessoires de tuyauterie à la structure de l'édifice trop rigide ou trop desserrés 	<ol style="list-style-type: none"> 1. Retournez pour faire réparer ou remplacer 2. Retirez le boîtier, nettoyez l'impulseur et/ou remplacez l'impulseur brisé 3. Remplacez la partie du tuyau de décharge avec un connecteur flexible
La pompe ne s'arrête pas	<ol style="list-style-type: none"> 1. Interrupteur « Switch-Genius » défectueux 2. Décharge obstruée (obstruction dans la tuyauterie) 3. Entrée excessive ou pompe non pas de la taille appropriée pour l'application 	<ol style="list-style-type: none"> 1. Remplacez l'interrupteur « Switch-Genius » 2. Retirez la pompe et nettoyez la pompe et la tuyauterie 3. Révérifiez tous les calculs de taille pour déterminer la bonne taille de la pompe
La pompe fonctionne, mais donne peu ou aucune eau	<ol style="list-style-type: none"> 1. Basse tension de ligne 2. Débris coincé dans l'impulseur ou dans la décharge 3. Impulseur bloqué ou pièces de pompe usées ou défectueuses 4. Pompe fonctionne à l'envers 5. Mauvaise dimension de pompe pour l'application 6. Soupape à clapet bloquée fermée ou installée à l'envers 7. Robinet de sectionnement fermé 	<ol style="list-style-type: none"> 1. Si la tension est sous le minimum recommandé, vérifiez la taille du câblage à partir de l'interrupteur principal de la propriété. Si OK, contactez les services publics d'électricité 2. Retirez, nettoyez et vérifiez si le tout est bien serré 3. Remplacez les pièces usées ou toute la pompe. Nettoyez les pièces, au besoin 4. Vérifiez la rotation. (Dans le sens antihoraire du bas) Retournez si dans le sens horaire 5. Révérifiez tous les calculs de taille pour déterminer la bonne taille de la pompe 6. Retirez et examinez la soupape à clapet pour vous assurer de son bon fonctionnement et de son utilisation sans problème 7. Ouvrez la soupape

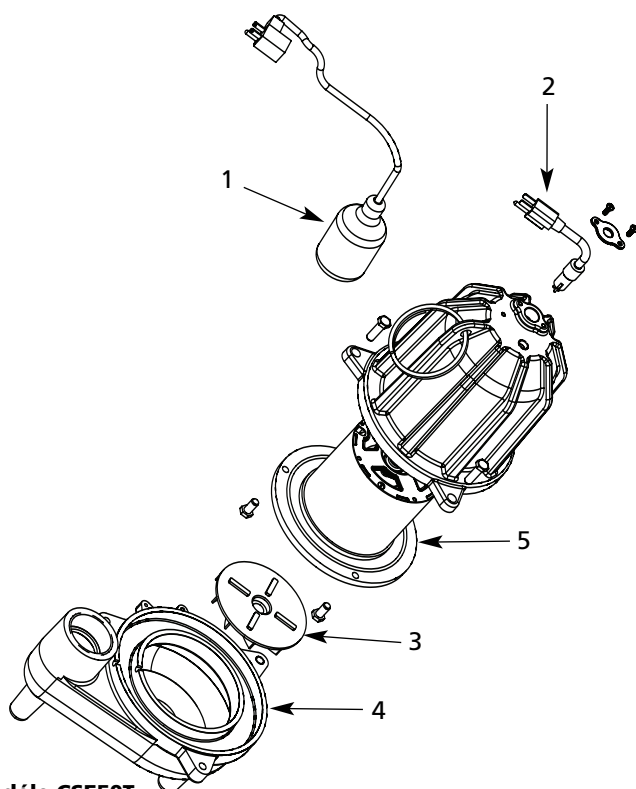
Pour les Pièces de Rechange ou l'assistance technique, appeler 1-800-237-0987

S'il vous plaît fournir l'information suivante:

- Numéro de modèle
- Numéro de série (si applicable)
- Description et numéro de la pièce

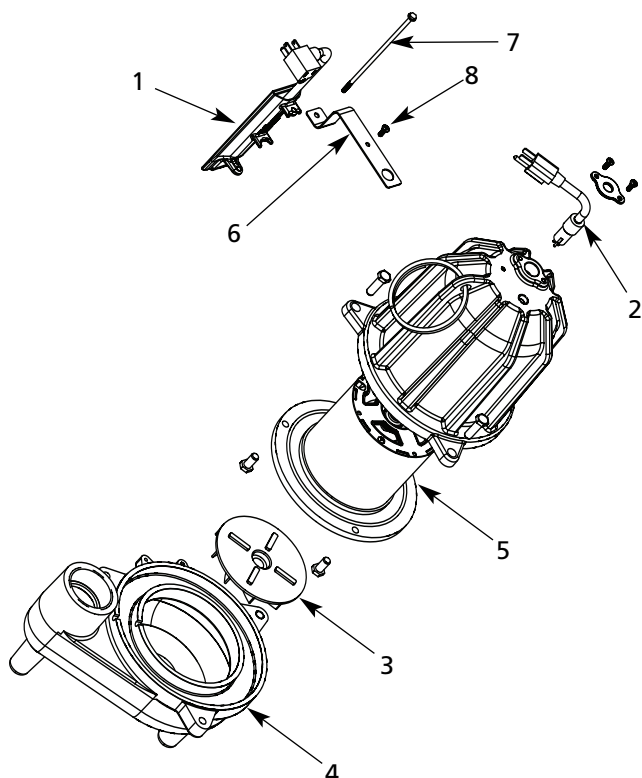
Correspondance:

Wayne Water Systems
101 Production Drive
Harrison, OH 45030 U.S.A.



Modèle CSE50T

No. de Réf	Description	No. de Pièce	Qté .
1	Interrupteur à flotteur ancré	30000-009	1
2	Cordon d'alimentation	31035-001	1
3	Rotor	17317-001	1
4	Volute	41027-001	1
5	Assemblage du moteur avec garniture d'étanchéité de l'arbre	8322	1



Modèles CSECAP40 and CSECAP50

No. de Réf	Description	No. de Pièce	Qté .
1	Le capteur d'eau capacitif	7465	1
2	Cordon d'alimentation, 10 pi	31035-001	1
3	Rotor	17317-001	1
4	Volute	41027-001	1
5	Assemblage du moteur avec garniture d'étanchéité de l'arbre	8322	1
6	Support	7434	1
7	Boulon traversant	16836-004	1
8	Vis	67050-001	3

Garantie Limitée à Vie

Garantie à vie limitée (un remplacement complet d'une fois) pour les modèles CSE50T et CSECAP50 et de cinq ans pour le modèle CSECAP40 de la date d'achat, Wayne Water Systems (« Wayne ») réparera ou remplacera, à sa discrétion, à l'acheteur original toute pièce ou toutes pièces de ses pompes de décharge ou de pompes à eau (« Produit ») qui, suite à l'examen de Wayne, s'avère défectueux en matériaux ou main d'œuvre. S'il vous plaît appeler Wayne (800-237-0987) pour des instructions ou contacter votre marchand. S'assurer d'avoir, à votre disposition, le numéro du modèle afin d'effectuer cette garantie. Les frais de transportation des Produits ou pièces soumis pour la réparation ou le remplacement sont la responsabilité de l'acheteur.

Cette Garantie Limitée ne couvre pas les Produits qui se sont fait endommagés en résultat d'un accident, utilisation abusive, mauvais usage, négligence, l'installation incorrecte, entretien incorrect, ou manque d'utilisation conformément aux instructions écrit de Wayne.

IL N'Y A AUCUNE AUTRE GARANTIE EXPRESSE. LES GARANTIES IMPLICITES, INCLUANT CELLES DE COMMERCIALITÉ OU D'ADAPTATION À UN USAGE PARTICULIER, SE LIMITENT À UNE DURÉE À VIE LIMITÉE POUR LES MODÈLES CSE40T ET CSECAP50 ET CINQ ANS POUR LE MODÈLE CSECAP40 DE LA DATE D'ACHAT. CECI EST LA REMÈDE EXCLUSIVE ET N'IMPORTE QUELLE RESPONSABILITÉ POUR N'IMPORTE QUEL ET TOUT DOMMAGES INDIRECTS OU DÉPENSES QUOI QUE SE SOIT EST EXCLUS.

Certaines Provinces n'autorisent pas de limitations de durée pour les garanties implicites, ni l'exclusion ni la limitation des dommages fortuits ou indirects. Les limitations précédentes peuvent donc ne pas s'appliquer. Cette garantie limitée donne, à l'acheteur, des droits légaux précis, et vous pouvez avoir autres droits légaux qui sont variable d'une Province ou d'un État à l'autre.

En aucun cas, soit par suite d'un rupture de contrat de garantie, acte dommageable (y compris la négligence) ou autrement, ni Wayne ou ses fournisseurs seront responsables pour aucune dommage spéciale, incidentel ou pénal, y compris, mais pas limité à la perte de profits ou recettes, la perte d'usage des produits ou n'importe quel équipement associé, dommage à l'équipement associé, coût de capital, coût de produits remplaçants, aménagements, services ou abilité de remplacement, coût de temps que le produit n'est pas en service, ou la réclamation des clients de l'acheteur pour ces dommages.

Vous **DEVEZ** garder votre facture d'achat avec ce bulletin. Il est **NÉCESSAIRE** d'envoyer une **COPIE** de la recette d'achat avec le matériel ou correspondance afin d'effectuer une réclamation de la garantie. S'il vous plaît appeler Wayne (800-237-0987) pour l'autorisation et instructions concernant le renvoi.

NE PAS ENVOYER, PAR LA POSTE, CE BULLETIN À WAYNE. Utiliser ce bulletin seulement pour vos archives.

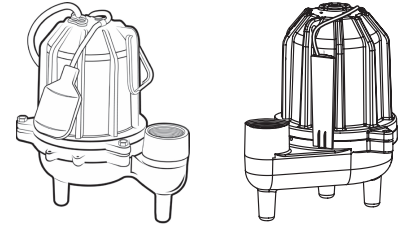
N° DU MODÈLE _____ N° DE SÉRIE _____ DATE D'INSTALLATION _____

FIXER VOTRE FACTURE ICI

Sírvase leer y guardar estas instrucciones. Lea con cuidado antes de tratar de armar, instalar, manejar o darle servicio al producto descrito en este manual. Protéjase Ud. y a los demás observando todas las reglas de seguridad. El no seguir las instrucciones podría resultar en heridas y/o daños a su propiedad. Guarde este manual como referencia.



Bomba para cloacas



Description

Un sistema de cloacas consiste de una bomba, un interruptor y una piletta usada en aplicaciones donde menos de 6 inodoros (unidades) se descargan en el sistema. El sistema generalmente es controlado por un interruptor flotante con un sistema de enchufes dobles conectado a la bomba y a un tomacorrientes de 120 voltios.

El interruptor/flotante es un interruptor diferencial de ángulo ancho que sube con el nivel de líquido y enciende la bomba. Cuando el nivel de líquido disminuye el flotante baja y apaga la bomba. Los modelos CSECAP40 y

CSECAP50 traen un control electrónico de estado sólido del nivel de agua "Switch-Genius". La bomba se enciende automáticamente cuando se detecta la presencia de agua. Esta bomba está diseñada para sistemas de cloacas domésticos. La bomba se puede usar para bombear sistemas de desagüe, efluentes, aguas negras, aguas freáticas y otros líquidos no- explosivos y no-corrosivos con sólidos de hasta 5,08 cm (2 inch).

Desempaque

Inspeccione esta unidad antes de usarla. Ocasionalmente, los productos son dañados durante el envío. Si la bomba o los componentes están

dañados, devuelva la unidad al lugar donde la compró para que le sea reemplazada. Si no lo hace podría ocasionar lesiones graves o la muerte.

Medidas de Seguridad

Este manual contiene información que es muy importante que sepa y comprenda. Esta información se la suministramos como medida de SEGURIDAD y para EVITAR PROBLEMAS CON EL EQUIPO. Debe reconocer los siguientes símbolos.

▲ PELIGRO Esto le indica que hay una situación inmediata que LE OCASIONARIA la muerte o heridas de gravedad.

▲ ADVERTENCIA Esto le indica que hay una situación que PODRIA ocasionarle la muerte o heridas de gravedad.

▲ PRECAUCION Esto le indica que hay una situación que PODRIA ocasionarle heridas no muy graves.

AVISO Esto le indica una información importante, que de no seguirla, le podría ocasionar daños al equipo.

GUARDE ESTAS INSTRUCCIONES

Especificaciones

	CSE50T	CSECAP40 CSECAP50
Requerimientos del circuito	120V, 60 hz	120V, 60 hz
Requerimientos eléctricos	15 amperios (mín)	15 amperios (mín)
Ciclo del motor	Intermitente	Intermitente
Motor	120V, 1 fase	120V, 1 fase
Caballos de fuerza	1/2	4/10 (CSECAP40) 1/2 (CSECAP50)
Motor (Cap. máx.)	12.0 amperios	8.7 amperios
Temp. de funcionamiento	4°C a 44°C (40°F to 120°F)	4°C a 44°C (40°F to 120°F)
Posición máx. de funcionamiento	45° de la posición vertical	45° de la posición vertical
Dimensiones	35,6 cm X 30,5 cm (14 inches x 12inches)	35,6 cm X 30,5 cm (14 inches x 12inches)
Orificio de Entrada	5,05 cm (2 inch)	5,05 cm (2 inch)
Orificio de Salida	5,05 cm (2 inch) NPT (hembra)	5,05 cm (2 inch) NPT (hembra)
Nivel para encender (fijado de fábrica)	48,3 cm (19 inch)	27,9 cm (11 inch)
Nivel para apagar (fijado de fábrica)	22,9 cm (9 inch)	7,6 cm (3 inch)
Diferencial	25,4 cm (10 inch)	17,7 cm (7 inch)
Interruptor	Interruptor mecánico de ángulo	Sensor de agua capacitivo "Switch-Genius"
Cordón eléctrico	Calibre 16 con 3 cables y enchufe	Calibre 16 con 3 cables y enchufe

Materiales de fabricación

Material del motor.....	Acero laminado en frío
Cubierta del motor	Hierro colado
Caja espiral	Hierro colado
Impulsor	Plástico PBT reforzado con vidrio
Sello de la placa.....	Hierro colado
Sello del eje	Mecánico

Rendimiento

GALONES POR MINUTO PARA UNA CARGA TOTAL EN PIES

Modelo	5'	10'	15'
CSECAP40	90	62	23
CSECAP50, CSE50T	113	90	33

RECORDATORIO: ¡Guarde su comprobante de compra con fecha para fines de la garantía! Adjúntela a este manual o archívela en lugar seguro.

Informaciones Generales de Seguridad

PROPOSICIÓN DE CALIFORNIA 65

⚠ ADVERTENCIA Este producto, o su cordón eléctrico, puede contener productos químicos conocidos por el estado de California como causantes de cáncer y defectos de nacimiento u otros daños reproductivos. Lave sus manos después de usar.

NORMAS DE SEGURIDAD GENERAL

1. Familiarícese con las aplicaciones adecuadas para el equipo, sus limitaciones y los peligros al usarlo.

⚠ ADVERTENCIA

No use esta bomba para bombear fluidos inflamables o explosivos tales como gasolina, combustibles, kerosene, etc. No la use en atmósferas inflamables o explosivas. La bomba sólo se debe usar para bombear agua pura. De lo contrario pudiera ocasionarle heridas de gravedad y/o la muerte.



2. Cerciérese de que el motor eléctrico sea adecuado para el equipo.

⚠ PELIGRO

Desconecte el cordón eléctrico antes de darle servicio. Si el tomacorrientes está fuera de su alcance, apague la unidad con el interruptor y asegúrelo de modo que la unidad no pueda encenderse accidentalmente. ¡De no hacerlo podría morir electrocutado!



3. Libere toda la presión del sistema antes de darle servicio a cualquier componente.
4. Drene todos los líquidos del sistema antes de darle servicio.

⚠ ADVERTENCIA

Esta bomba contiene aceite de motor dieléctrico para la transferencia del calor del motor. Se debe tener cuidado cuando se deseché este aceite. No use esta bomba en estanques o fuentes ya que el aceite de motor puede ser nocivo para la vida acuática.

5. Asegure la línea de descarga antes de encender la bomba. De lo contrario, ésta se enrollará y podría ocasionarle heridas o daños a su propiedad.
6. Antes de cada uso, inspeccione las mangueras, para ver si están dañadas o desgastadas y cerciérese de que las conexiones estén bien apretadas.

7. Chequee la bomba y otros componentes frecuentemente. Déle el mantenimiento necesario según las instrucciones en la sección de mantenimiento.
8. Cerciérese de que haya un sistema auxiliar de descarga en caso de que la línea de salida esté fuera de servicio u obstruida.
9. Seguridad Personal:
 - a. Siempre use anteojos de seguridad cuando vaya a trabajar con la bomba.
 - b. Mantenga el área de trabajo limpia, despejada y bien iluminada; guarde todas las herramientas que no esté usando.
 - c. Mantenga a los visitantes alejados del área de trabajo. Cerciérese de tomar todas las medidas de seguridad necesarias para evitar accidentes con niños (use candados y cortacircuitos y no deje las llaves al alcance de los niños).
10. Para instalar el alambrado de bombas eléctricas, tales como la descrita en este manual, siga todos los códigos de seguridad laboral y electricidad establecidos en su país, por ejemplo los de la NEC y OSHA en EE.UU.

⚠ ADVERTENCIA

¡Peligro de choque eléctrico! Nunca conecte los cables verdes o verde con rayas amarillas, a un terminal con tensión.



11. Este equipo está diseñado sólo para funcionar en circuitos de 120 voltios (monofásicos) y está equipado con un cordón eléctrico de 3 cables y 3 terminales para conexión a tierra tal como se muestra en la Figura 1A y 1B.

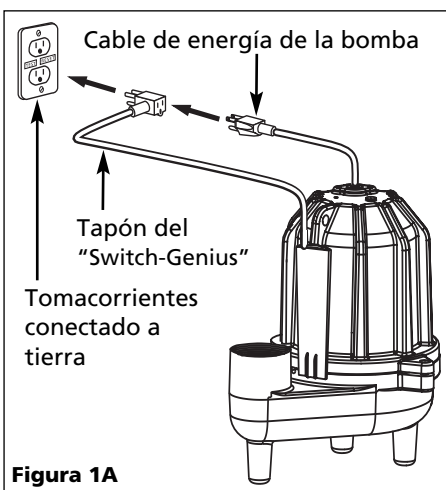


Figura 1A

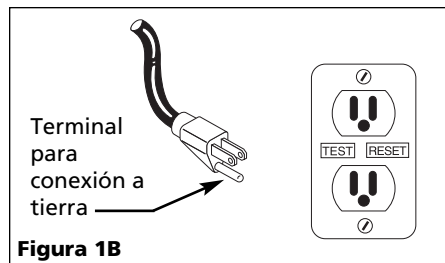


Figura 1B

Para reducir el riesgo de electrocutarse, el motor se debe conectar a tierra adecuadamente. Para hacerlo:

- Conecte el enchufe directamente a un tomacorrientes similar al de la figura 1 (A y B) que esté instalado y conectado a tierra correctamente.

Si el tomacorrientes disponible es de dos orificios, debe reemplazarlo con un tomacorrientes de 3 orificios. Debe seguir todos los códigos y ordenanzas locales para instalar el tomacorrientes.

12. Todos los trabajos de electricidad los debe hacer un electricista calificado.
13. Es altamente recomendable que utilice un tomacorrientes que tenga un sistema de cortacircuito incorporado. Consúltele a un electricista local para ver si éstos están disponibles en su área.

⚠ ADVERTENCIA

El motor de la bomba tiene un sistema de protección térmica y puede comenzar a funcionar sin previo aviso. Si este sistema se activa es una indicación de que el motor está sobrecargado debido a que la distancia de descarga es muy baja, voltajes excesivamente bajos o altos, alambrado inadecuado, condiciones inadecuadas para el motor o el motor o la bomba están dañados.

14. Esta bomba está diseñada para funcionar en ciclos. Si le modifica el interruptor para que funcione continuamente, afectará el rendimiento y la duración de la unidad.
15. Proteja el cordón eléctrico contra objetos afilados, superficies calientes, aceite y químicos. Evite que el cordón se enrolle. Reemplace o repare el cordón inmediatamente cuando se dañe. Use cordones del calibre adecuado para evitar pérdidas de voltaje del motor.
16. No toque la bomba o el motor con las manos mojadas o cuando esté parado en una superficie húmeda o en agua.

Informaciones Generales de Seguridad (Continuación)

17. No cuelgue la bomba por el mango. Estas bombas deben estar firmemente instaladas sobre sus patas y conectadas a una tubería rígida. Ésto evita que se mueva y se dañe durante el uso.
18. **No use cordones de extensión.**

⚠ PELIGRO

No camine en un área húmeda antes de desconectar la energía eléctrica. Si el cortacircuito está fuera de su alcance (en el sótano), llame a la compañía de electricidad o al cuerpo de bombero para que le asistan. Desconecte la bomba y repárela o reemplácela. Si no sigue estas instrucciones podría morir electrocutado.



Instalación

AVISO

Si hay peligro

de que sufra heridas personales o daños a su propiedad si la bomba se daña o tiene fugas debido a interrupciones en el servicio eléctrico, obstrucciones en la línea de descarga o cualquier otra razón, instale un sistema auxiliar.

- Enrosque la tubería de descarga o el niple en el orificio de descarga de la unidad.
- Si usa una válvula de chequeo, en un sistema con presencia de sólidos, instálela en posición horizontal o en un ángulo de 45° con muñón hacia arriba. En la posición vertical, los sólidos tienden a permanecer en las chapaletas de la válvula y pueden evitar que se abra.

3. Cuando use una válvula de chequeo, taladre un orificio de 1,6 mm (1/16 inch) en la tubería de descarga aproximadamente a 2,54 -5,08 cm (1 inch ó 2 inch) por encima del orificio de descarga de la bomba. Este orificio evita que el aire obstruya la bomba al encenderla por primera vez o cuando pierda el cebado.
4. Debe instalar una válvula de entrada inmediatamente después de la válvula de chequeo. Esta válvula debe permitir el paso de sólidos de 5,08 cm (2 inch) o lo establecido por los códigos y ordenanzas locales. Esta válvula le permite desconectar la bomba o la válvula de chequeo cuando vaya a darles servicio.
5. Debe conectar un empalme entre la válvula de chequeo y la bomba de modo que pueda desconectar la bomba fácilmente.
6. Los modelos CSE50T vienen de fábrica con un interruptor de correa desprendible con un enchufe en serie (ver figura 3A). El largo de la correa (largo de la correa entre el flotador y la abrazadera) no debe ser menor de 3-1/4" (9,5 cm) y no debe usarse en una pileta de menos de 14" (35,5 cm) de diámetro. Si se usa un diferencial distinto del de fábrica, asegúrese de que, cuando la bomba se apague, queden al menos 4" (10 cm) de agua en la pileta para que el impulsor siga sumergido.

7. Cuando use un interruptor flotante debe usar una tubería de descarga rígida. Si la bomba se mueve, el interruptor flotante podría hacer contacto con las paredes de la pileta y la bomba no funcionaría.

⚠ PRECAUCION

Antes de sacar la bomba de la pileta para darle servicio, siempre desconecte el cordón eléctrico de la bomba y el interruptor. Antes de darle servicio a la bomba o al interruptor SIEMPRE desconecte el cordón eléctrico. No desactive el cortacircuito o saque un fusible.

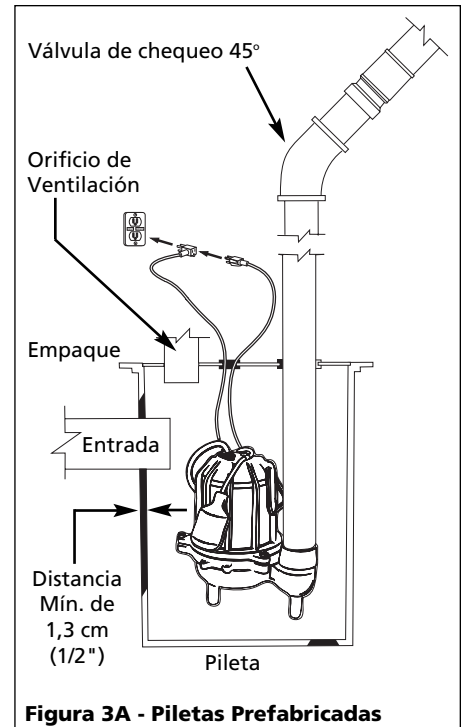


Figura 3A - Piletas Prefabricadas

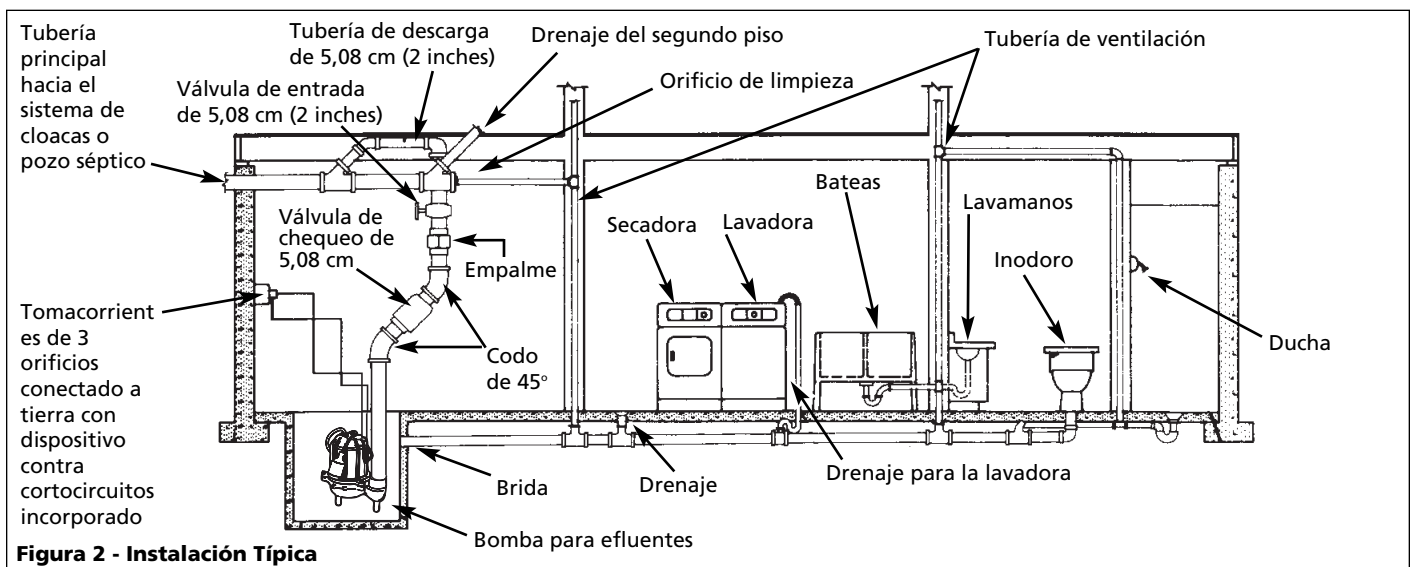


Figura 2 - Instalación Típica

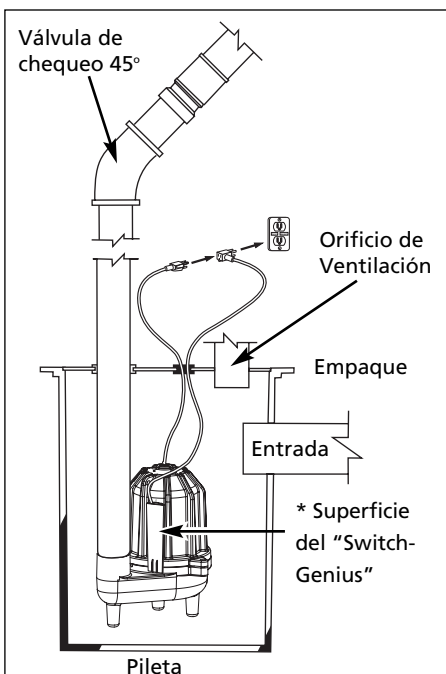
Instalación (Continuación)

8. Los modelos CSECAP40 y CSECAP50 vienen de fábrica con un sensor de agua capacitivo "Switch-Genius" (Ver figura 3B). Disponga la bomba en la pileta de manera que el sensor de agua "Switch-Genius" quede a 180° de la entrada de la pileta. Asegúrese de que la corriente de agua en entrada no golpee la superficie del "Switch-Genius".

PRECAUCION

Antes de sacar la

bomba de la pileta para darle servicio, siempre desconecte el cordón eléctrico de la bomba y el interruptor. Antes de darle servicio a la bomba o al interruptor SIEMPRE desconecte el cordón eléctrico. No desactive el cortacircuito o saque un fusible.



* Disponga la bomba de manera que el "Switch-Genius" quede a 180° de la entrada. Asegúrese de que la corriente de agua en entrada no golpee la superficie del "Switch-Genius".

Figura 3B - Piletas Prefabricadas

Mantenimiento

ADVERTENCIA

Siempre desconecte el cordón eléctrico antes de tratar de darle servicio o desconectar un componente. Esta bomba se ensambla en la fábrica usando equipo especiales; por lo tanto sólo los técnicos (electricistas) especializados o el personal de los centros de servicio autorizado deben tratar de reparar esta unidad. De lo contrario podría ocasionar peligro de electrocutamiento.

AVISO

Esta bomba contiene aceite que podría estar bajo presión debido al calor. Espere a que la bomba se enfríe por lo menos durante 2 horas antes de darle servicio.

1. Si desmantela el motor antes de la fecha de expiración de la garantía, esta quedaría cancelada. Igualmente, podría ocasionar fugas internas y daños a la unidad. Si necesita reparación, envíe la bomba a la tienda donde la compró o comuníquese con el distribuidor más cercano a su domicilio. Si desmantela el motor deberá reemplazarlo los anillos en O. Debe cerciorarse de que los sellos no tengan fugas.
2. Después de destapar la pileta y desconectar las tuberías necesarias, saque la bomba de la pileta.
3. Chequee la bomba periódicamente para ver si está en buen estado. Si el sistema ha cambiado después de instalar la unidad, debe desconectar y reemplazar la bomba. Sólo electricistas calificados deben tratar de reparar esta unidad. Reparaciones y/o ensamblajes incorrectos podrían ocasionar peligro de electrocución.
4. Coloque la bomba en un sitio adecuado para limpiarla completamente. Quitele todos los residuos e impurezas a la bomba.

5. Sumerje toda la bomba en una solución desinfectante (10% de lejía) por lo menos durante una hora antes de tocar la unidad.
6. Limpie bien el flotante de la bomba. Cerciórese de que el flotante se puede mover libremente después de limpiarlo (CSE50T).
7. Limpie bien el orificio de entrada de la bomba y la voluta.
8. Limpie la superficie del sensor "Switch-Genius" (modelos CSECAP40 y CSECAP50).

ADVERTENCIA

Esta bomba

contiene aceite para motores dieléctricos para lubricar el motor y transferir calor. Este aceite podría contaminar el ambiente. Consulte las ordenanzas de contaminación ambiental antes de tirar este aceite. Este aceite podría ser dañino para los animales acuáticos, por lo tanto debe tomar ésto en consideración cuando vaya a usar la bomba.

Diagnóstico de Averías - CSE50T

Symptom	Possible Cause(s)	Corrective Action
La bomba no se enciende o funciona	<ol style="list-style-type: none"> 1. El nivel de agua es muy bajo 2. El fusible está quemado o el cortacircuito se activó 3. El voltaje es muy bajo 4. El motor está dañado 5. El flotante está dañado 6. El impulsor (la bomba está obstruida con basura) 7. El interruptor está obstruido 8. Nivel de líquido insuficiente 	<ol style="list-style-type: none"> 1. El interruptor no encenderá la bomba a menos que la bomba esté totalmente sumergida en agua 2. Si el fusible está quemado reemplácelo con uno adecuado o reconecte el cortacircuito 3. Si el voltaje es inferior al mínimo recomendado, chequee el alambrado del circuito principal de la propiedad. Si es adecuado, comuníquese con la compañía de electricidad. 4. Envíe el motor al centro de servicio autorizado más cercano a su domicilio o reemplácelo 5. Reemplace el interruptor flotante 6. Si la propela no gira, destápela y límpiela 7. Coloque el interruptor de modo que se mueva sin problemas. Reubique la bomba si es necesario 8. Cerciórese de que el nivel de líquido esté por lo menos a 33 cm (13") del fondo de la pileta
La bomba se enciende y se apaga constantemente	<ol style="list-style-type: none"> 1. El agua se regresa de las tuberías 2. El interruptor/flotante está dañado 3. No instaló una válvula de chequeo o la válvula de chequeo tiene una fuga 4. La distancia de la descarga es inferior al mínimo recomendado por el fabricante 	<ol style="list-style-type: none"> 1. Instale una válvula de chequeo 2. Reemplace el interruptor flotante 3. Desconecte la válvula de chequeo y revísela a ver si está bien instalada y funcionando adecuadamente 4. Haga los cálculos una vez más para cerciorarse de que esté usando una bomba adecuada
La bomba se apaga y se enciende independientemente del interruptor (el sistema de protección térmica se activa)	<ol style="list-style-type: none"> 1. La temperatura del agua es excesiva 2. El interruptor está dañado u obstruido y por lo tanto la bomba funciona al seco 3. El voltaje es muy bajo 	<ol style="list-style-type: none"> 1. La bomba no se debe usar para bombear agua a más de 44°C (120° F). 2. Reemplace o reubique la bomba <div style="border: 1px solid black; padding: 5px; display: inline-block; margin-bottom: 5px;">PRECAUCION</div> <p>La bomba puede comenzar a funcionar sin previo aviso. Desconéctela del tomacorrientes antes de darle servicio</p> <ol style="list-style-type: none"> 3. Si el voltaje es inferior al mínimo recomendado, chequee el alambrado del circuito principal de la propiedad. Si es adecuado, comuníquese con la compañía de electricidad
La bomba hace mucho ruido o vibra excesivamente	<ol style="list-style-type: none"> 1. Los cojinetes están desgastados 2. El impulsor está obstruido con basura o está rota 3. Las tuberías que conectan la bomba al edificio son muy rígidas o están muy flojas 	<ol style="list-style-type: none"> 1. Envíe la unidad al centro de servicio autorizado más cercano a su domicilio o reemplácelo 2. Destape la unidad, limpie el impulsor y/o reemplácelo si está roto 3. Reemplace una porción de la tubería de descarga con un conector flexible
La bomba no deja de funcionar	<ol style="list-style-type: none"> 1. El interruptor flotante está dañado 2. El inyerruptor flotante no se puede mover libremente 3. Las tuberías de descarga están obstruidas 4. Entrada excesiva de agua o la bomba no es la adecuada para la aplicación en que se está usando 	<ol style="list-style-type: none"> 1. Reemplace el interruptor flotante 2. Reubique la bomba o limpie la pileta según sea necesario para que el flotante se mueva sin problemas 3. Desconecte la bomba y limpie la bomba y las tuberías 4. Haga los cálculos una vez más para cerciorarse de que esté usando una bomba adecuada
La bomba funciona pero bombea muy poca agua o no bombea agua	<ol style="list-style-type: none"> 1. El voltaje es muy bajo 2. El impulsor o la tubería de descarga están obstruidos con basura 3. La bomba tiene alguna pieza dañada o el impulsor está obstruido 4. La bomba está rotando en sentido contrario 5. La bomba no es la adecuada para la aplicación en que se está usando 6. La válvula de chequeo está atascada o instalada incorrectamente 7. La válvula de cierre está cerrada 	<ol style="list-style-type: none"> 1. Si el voltaje es inferior al mínimo recomendado, chequee el alambrado del circuito principal de la propiedad. Si es adecuado, comuníquese con la compañía de electricidad. 2. Desconecte el impulsor, límpielo y cerciórese de que esté bien instalado 3. Reemplace las piezas dañadas o toda la bomba. Si es necesario limpie las piezas que estén sucias 4. Chequee la rotación. (Sentido contrario al de las agujas del reloj al observarlo desde la parte inferior) Devuelva la unidad si gira en el mismo sentido de las agujas del reloj 5. Haga los cálculos una vez más para cerciorarse de que esté usando una bomba adecuada 6. Desconecte la válvula de chequeo y revísela a ver si está bien instalada y funcionando adecuadamente 7. Abra la válvula

Diagnóstico de Averías - CSECAP40, CSECAP50

Symptom	Possible Cause(s)	Corrective Action
La bomba no enciende o no funciona	<ol style="list-style-type: none"> El nivel de agua es demasiado bajo Fusible quemado o disyuntor disparado Bajo voltaje Motor defectuoso "Switch-Genius" defectuoso Impulsor (la bomba se llenó de residuos) Nivel de líquido insuficiente 	<ol style="list-style-type: none"> El dispositivo "Switch-Genius" no enciende la bomba si el agua no ha llegado a menos de 1 pulgada (2,5 cm) del tope del sensor. Si está quemado, cámbielo por un fusible del tamaño correcto o reajuste el disyuntor Si el voltaje se encuentra por debajo del mínimo, verifique el tamaño del cable del suministro eléctrico general. Si está bien, llame a la compañía eléctrica. Devuelva para realizarle servicio o reemplace el motor Reemplace el "Switch-Genius" Si el impulsor no funciona, retire la caja y quite los desechos Asegúrese de que el nivel de líquido sea de al menos 11" (28 cm) desde el piso de la pileta
La bomba se enciende y se apaga con demasiada frecuencia	<ol style="list-style-type: none"> Reflujo de agua desde la tubería Sensor de agua "Switch-Genius" sucio No se instaló la válvula de retención o pierde La altura de descarga es menor que el mínimo requerido por el fabricante 	<ol style="list-style-type: none"> Instale una válvula de retención Cambie la posición de la bomba, limpie la superficie del sensor (Figura 3B). Retire y examine la válvula de retención para la correcta instalación y funcionamiento libre Vuelva a calcular las dimensiones para determinar el tamaño adecuado de la bomba
La bomba se apaga y se enciende independientemente del interruptor (acciona la protección térmica de sobrecarga)	<ol style="list-style-type: none"> Temperatura del agua excesiva Bajo voltaje 	<ol style="list-style-type: none"> No se debe usar la bomba con agua por encima de los 120° <div style="border: 1px solid black; padding: 5px; margin: 5px 0;"> <p>PRECAUCION <i>La bomba se puede accionar repentinamente. Desconecte la corriente antes de realizar un servicio</i></p> </div> <ol style="list-style-type: none"> Si el voltaje se encuentra por debajo del mínimo, verifique el tamaño del cable del suministro eléctrico general. Si está bien, llame a la compañía eléctrica
La bomba hace ruido o vibra en exceso	<ol style="list-style-type: none"> Rodamientos gastados Desechos en la cavidad del impulsor o impulsor roto Las conexiones de la tubería a la estructura del edificio son demasiado rígidas o demasiado sueltas 	<ol style="list-style-type: none"> Devuelva para realizarle servicio o reemplazarla Retire la caja, limpie el impulsor y/o cambie el impulsor roto Reemplace la parte de la tubería de descarga con un conector flexible
La bomba no se apaga	<ol style="list-style-type: none"> Interruptor "Switch-Genius" defectuoso Descarga restringida (obstrucción en la tubería) Demasiado flujo de entrada o la bomba no es del tamaño adecuado para la aplicación 	<ol style="list-style-type: none"> Reemplace el interruptor "Switch-Genius" Retire la bomba y limpie la bomba y la tubería Vuelva a calcular las dimensiones para determinar el tamaño adecuado de la bomba
La bomba funciona pero sale muy poca agua o nada	<ol style="list-style-type: none"> Bajo voltaje Residuos en el impulsor o en la descarga Piezas de la bomba o del impulsor gastadas o defectuosas La bomba funciona al revés La bomba no tiene el tamaño necesario para la aplicación Válvula de retención cerrada o instalada al revés Válvula de cierre cerrada 	<ol style="list-style-type: none"> Si el voltaje se encuentra por debajo del mínimo, verifique el tamaño del cable del suministro eléctrico general. Si está bien, llame a la compañía eléctrica Retire, limpie y compruebe que esté ajustado Reemplace las piezas gastadas o toda la bomba. Limpie las piezas si fuera necesario Compruebe la rotación. (Antihoraria desde abajo.) Devuélvala si es horaria Vuelva a calcular las dimensiones para determinar el tamaño adecuado de la bomba Retire y examine la válvula de retención para la correcta instalación y funcionamiento libre Abra la válvula

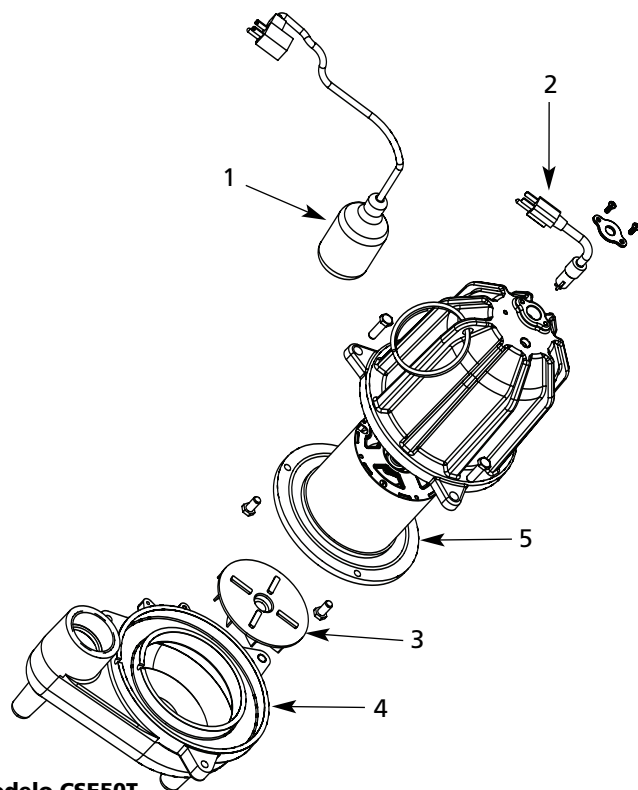
Para Ordenar Repuestos o Asistencia Técnica, Sírvase Llamar al Distribuidor Más Cercano a Su Domicilio

Sírvase suministrarnos la siguiente información:

- Número del modelo
- Número de Serie (de haberlo)
- Descripción y número del repuesto según la lista de repuestos

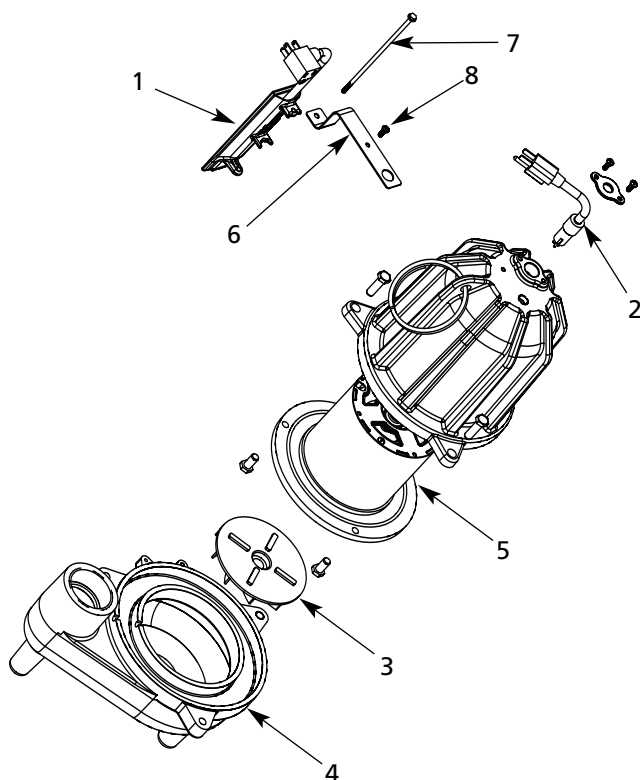
Puede escribirnos a:

Wayne Water Systems
101 Production Drive
Harrison, OH 45030 U.S.A.



Modelo CSE50T

No. de Ref.	Descripción	No. del Repuesto	Ctd.
1	Interruptor de flotador de correa	30000-009	1
2	Cordón de corriente	31035-001	1
3	Impulsor	17317-001	1
4	Caja espiral	41027-001	1
5	Ensamble del motor con sello del eje	8322	1



Modelos CSECAP40 y CSECAP50

No. de Ref.	Descripción	No. del Repuesto	Ctd.
1	Sensor de agua capacitivo	7465	1
2	Cordón de corriente de 3m (10pies)	31035-001	1
3	Impulsor	17317-001	1
4	Caja espiral	41027-001	1
5	Ensamble del motor con sello del eje	8322	1
6	Soporte	7434	1
7	Perno pasante	16836-004	1
8	Tornillo	67050-001	3

Garantía Limitada de por Vida

Limitada de por vida (reemplazo total una sola vez) para CSE50T y CSECAP50 y cinco años para CSECAP40 a partir de la fecha de compra, Wayne Water Systems ("Wayne") reparará o reemplazará, según lo decida, para el comprador original, cualquier pieza o piezas de sus Bombas para cloacas o Bombas de agua ("Producto") que después de un examen sea(n) hallada(s) por Wayne Water Systems como defectuosa(s) en su material o mano de obra. Sírvase llamar a la compañía Wayne (800-237-0987, desde EE.UU) para recibir instrucciones al respecto o comuníquese con el distribuidor más cercano a su domicilio. Para hacer reclamos bajo esta garantía deberá suministrarnos el número del modelo y el número de serie del producto. El comprador será responsable de pagar todos los gastos de flete para enviar las piezas o el producto para que sean reparados o reemplazados.

Esta garantía Limitada no cubre los daños que sufra el producto debido a accidentes, abusos, usos inadecuados, negligencia, instalación incorrecta, mantenimiento inadecuado o haberse utilizado sin seguir las instrucciones escritas suministradas por la compañía Wayne.

NO EXISTE OTRA GARANTÍA EXPRESA. LAS GARANTÍAS IMPLÍCITAS, INCLUYENDO AQUELLAS DE COMERCIALIZACIÓN Y APTITUD PARA UN PROPÓSITO EN PARTICULAR, ESTÁN LIMITADAS A LA GARANTÍA LIMITADA DE POR VIDA PARA CSE40T Y CSECAP50 Y CINCO AÑOS PARA CSECAP40 A PARTIR DE LA FECHA DE COMPRA. ESTA ES LA ÚNICA GARANTÍA DISPONIBLE Y TODAS LAS REPOSABILIDADES CIVILES, DIRECTAS O INDIRECTAS, O GASTOS POR DAÑOS INDIRECTOS O CONSECUENTES QUEDAN EXCLUIDOS.

Algunos estados no permiten que se establezcan límites en la duración de las garantías implícitas o no permiten que se excluyan ni se establezcan límites en los daños por incidentes o consecuencias, por lo tanto los límites antes mencionados podrían ser no válidos. Esta Garantía Limitada le otorga derechos legales específicos, y usted también puede tener otros derechos que varían de un Estado a otro.

En ningún caso, bien sea por ruptura del contrato de la garantía, responsabilidad civil (incluyendo negligencia) u otra causa, Wayne o sus distribuidores serán responsables por daños especiales, consecuentes ni circunstanciales ni penales, incluyendo, pero no limitados a la pérdida de ganancias, pérdida de uso del producto o equipos asociados, daños a equipos asociados, costos de capitales, costos para substituir productos, costos para substituir o reemplazar servicios, costos por pérdida de productividad, o reclamos de clientes del comprador por dichos daños.

DEBE conservar el recibo de compra con esta garantía. En caso de que necesite hacer un reclamo bajo esta garantía, **DEBERA** enviarnos una **copia** del recibo junto con el material o correspondencia. Sírvase comunicarse con la compañía Wayne (800-237-0987, en EE.UU.) para recibir autorización e instrucciones para enviar el producto.

NO ENVIE ESTA GARANTÍA A WAYNE. Use este documento sólo para mantener sus records.

NO DEL MODELO. _____ NO DE SERIE. _____ FECHA DE INSTALACION _____

ANEXE SU RECIBO AQUI

Free Manuals Download Website

<http://myh66.com>

<http://usermanuals.us>

<http://www.somanuals.com>

<http://www.4manuals.cc>

<http://www.manual-lib.com>

<http://www.404manual.com>

<http://www.luxmanual.com>

<http://aubethermostatmanual.com>

Golf course search by state

<http://golfingnear.com>

Email search by domain

<http://emailbydomain.com>

Auto manuals search

<http://auto.somanuals.com>

TV manuals search

<http://tv.somanuals.com>